



Entrée Solid Door Reach-In Models:

ERB1X

ERB2X

ERB3X

EFB1X

EFB2X

EFB3X

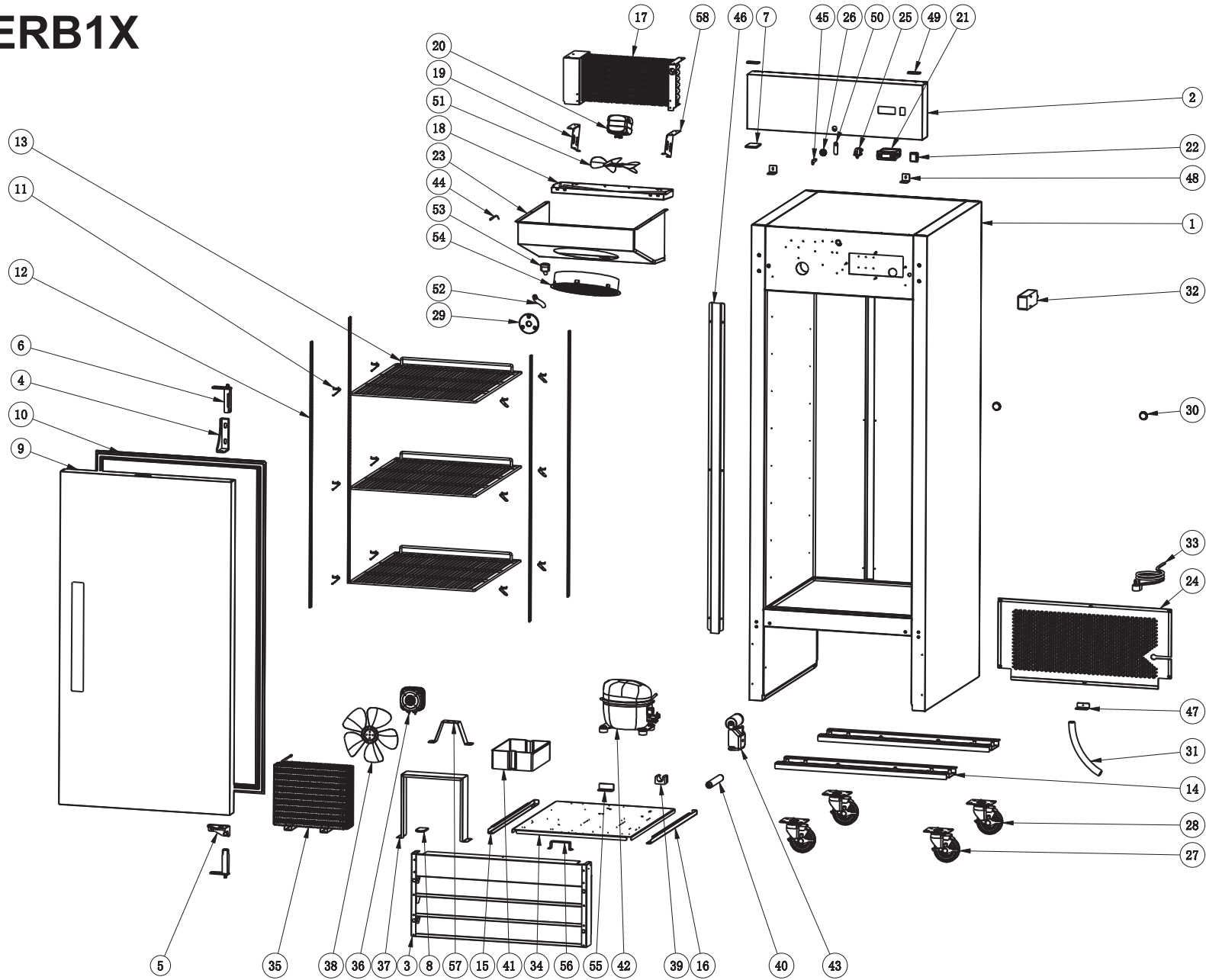


PHONE: 704-900-2068

Website: www.entree.biz

REV. 20260622

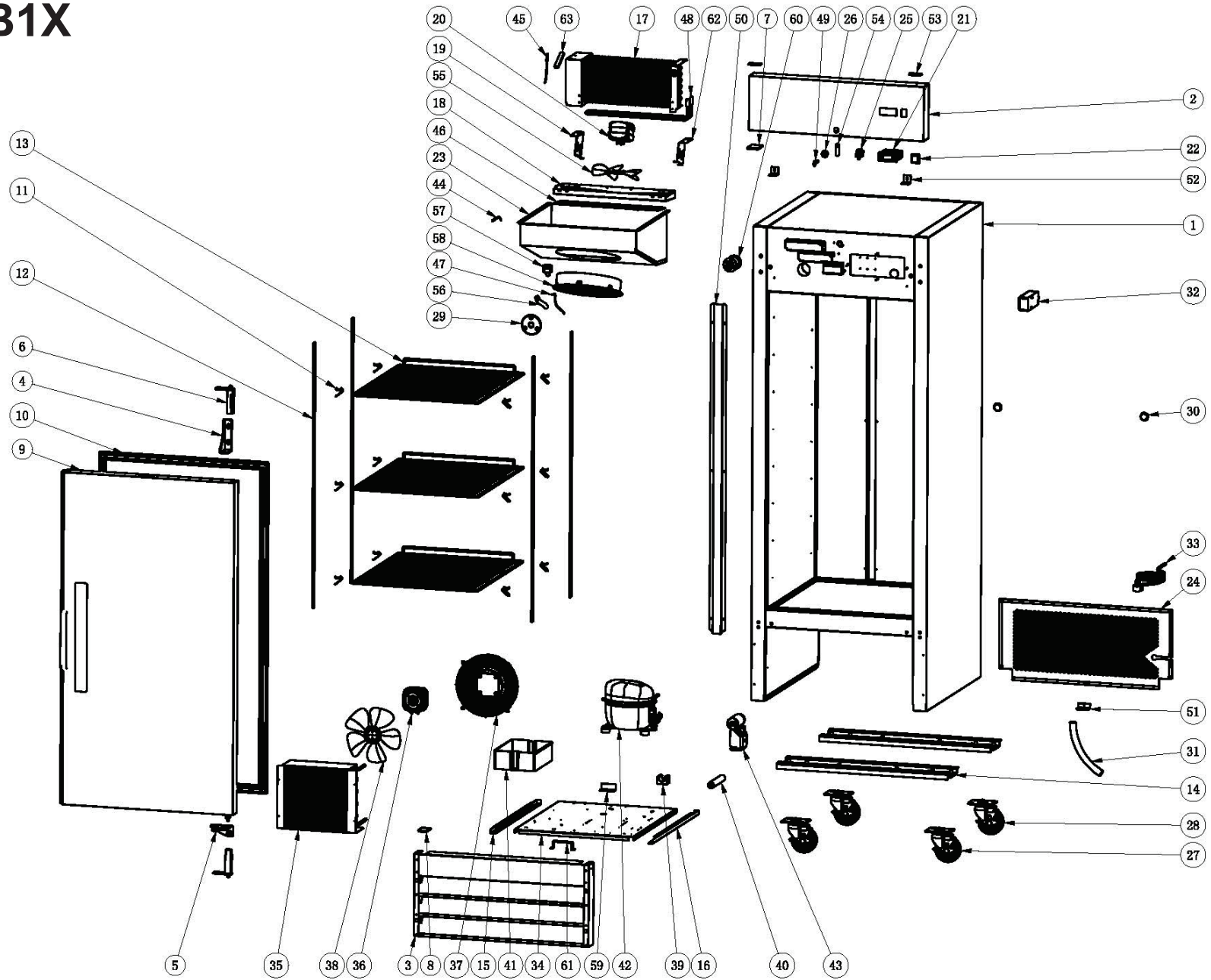
ERB1X



PART LIST ERB1X

No.	PART #	DESCRIPTION	QTY	No.	PART #	DESCRIPTION	QTY
1	NONSTOCKING	CABINET	1	28	XX-SC0319	4" CASTER W/O BRAKE	2
2	XRI000489	UPPER FRONT SHROUD (1 DOOR)	1	29	XX000430	DRAIN PLUG	1
2	XRI000489C	UPPER FRONT SHROUD (1 DOOR) MOTAK VERSION	1	30	X16352020002	FOAMING HOLE COVER	2
2	XRI000489	UPPER FRONT SHROUD (1 DOOR) KINTERA VERSION	1	31	XRI0024	DRAIN HOSE	1
3	XRI401101	LOWER FRONT SHROUD (1 DOOR, ENTRÉE & KINTERA)	1	32	XRI0048-HC	LIGHT COMPONENTS	1
	XRI401101C	LOWER FRONT SHROUD (1 DOOR MOTAK VERSION)	1	33	XX-2194684	POWER CORD NEMA-5-15P 16AWG, APPX 8"; LONG	1
4	XX-URH005	HINGE, UPPER RIGHT	1	34	NON STOCKING	COMPRESSOR UNIT INSTALLATION BOARD	1
5	XX-BRH005	HINGE, BOTTOM RIGHT	1	35	XRI200501	CONDENSER COIL (4R8K210L) USED AFTER March 2022	1
6	XX-DC0328	HINGE CARTRIDGE, SELF CLOSING	2	36	XRI0083	EVAPORATOR / CONDENSER FAN MOTOR (YZF6-13-26) 1550RPM (REPLACES XX-EFM023 AS OF JUNE 2021, PARTS ARE INTERCHANGEABLE)	1
7*	XRI0003	TOP/BOTTOM COVER FOR REVERSIBLE DOOR	1	37	XDD050232	AIR GUIDE SHEET	1
9	XRI0023	DOOR, SOLID W/STAINLESS STEEL HANDLE	1	38	XEFMB023	BLADE OF FAN MOTOR	1
9	XRI0023-SI	DOOR, SOLID W/STAINLESS STEEL HANDLE & DOOR LINER	1	39	XX-H00346	FILTER BRACKET	1
9	XRI0023K	DOOR, SOLID W/STAINLESS STEEL HANDLE (KINTERA)	1	40	XX-H00341	FILTER	1
9	XRI0023M	DOOR, SOLID W/STAINLESS STEEL HANDLE (MOTAK)	1	41	X16316130008	OUTER DRAIN PAN	1
10	XRI0040	DOOR GASKET (52.28" X 26.85")	1	42	XX-HC0024	COMPRESSOR C/W STARTING COMPONENTS (NUT45NR/115V/60Hz/R290)	1
11	X5302000003	SHELF CLIP	12	43	XX-HC0024K	STARTING COMPONENTS FOR NUT45NR	1
12	XRI0005	K_STRIP	4	44	XRI0036	TEMPERATURE SENSOR OF CABINET INSIDE	1
13	XRI0058	SHELF (23.2" X 23.6")	3	*	X250009	CAP TUBE (.035" I.D. X 98.5" L)	
14	NONSTOCKING	LEG SUPPORTER	2	45	XX-H00340	LOCK & SET OF 2 KEYS	1
15	NONSTOCKING	LEFT TRACK FOR ASSEMBLING PANEL	1	46	NONSTOCKING	BAFFLE OF SUCTION LINE	1
16	NON STOCKING	RIGHT TRACK FOR ASSEMBLING PANEL	1	47	NON STOCKING	BACK GRILL BRACKET	1
17	XRI070370	COIL (4R7K370L) USED FROM JUNE 2021	1	48	NON STOCKING	CONTROL PANEL BRACKET	2
18	XRI180148	INNER DRAIN PAN	1	49	XRI0084	HINGE, UPPER SHROUD	2
19	NONSTOCKING	LEFT EVAPORATOR FAN MOTOR BRACKET	1	50	SEE LOCK	LOCK BOLT	1
20	XRI000032	FAN MOTOR (YZ10-20/10/55) (Alternate for X17701000014) (BLADE #XRI0015 SOLD SEPARATELY)	1	51	XRI0015	BLADE OF FAN MOTOR	1
21	XRI0060	THERMOSTAT	1	52	XRI0071	DRAIN HOSE	1
22	XRI0056	POWER SWITCH (RED)	1	53	XRI0074	ELBOW PIPE	1
23	XRI0080-1	EVAPORATOR COVER (USE AFTER 01/2022)	1	54	X16313130154	EVAPORATOR FAN MOTOR COVER	1
24	XRI0002-1	BACK GRILL (USE AFTER DATE 01-2022)	1	55	NON STOCKING	LIMITED BLOCK OF INSTALLATION BOARD	1
25	X-2194677	DOOR SWITCH	1	56	NON STOCKING	COMPRESSOR UNIT HANDLE	1
26	XX-H00340	LOCK & SET OF 2 KEYS	1	57	X2199001370	CONDENSER FAN MOTOR BRACKET	1
27	XX-SCB319	4" CASTER W/BRAKE	2	58	NON STOCKING	RIGHT EVAPORATOR FAN MOTOR BRACKET	1

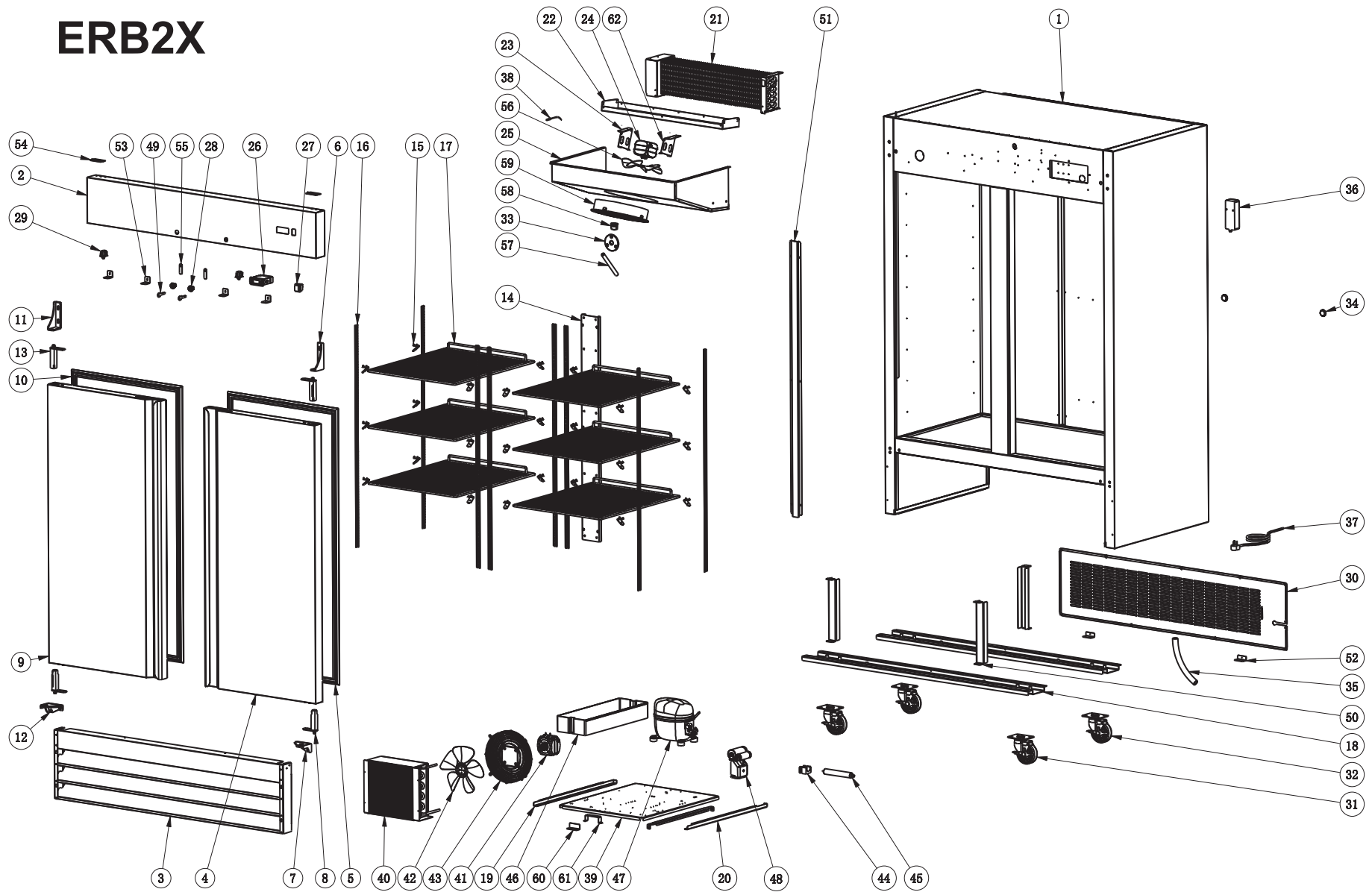
EFB1X



PART LIST EFB1X

No.	PART #	DESCRIPTION	QTY	No.	PART #	DESCRIPTION	QTY
1	NONSTOCKING	CABINET	1	31	XRI0024	DRAIN HOSE	1
2	XRI000489	UPPER FRONT SHROUD (ENTRÉE & KINTERA VERSION)	1	32	XRI0048-HC	LIGHT COMPONENTS	1
2	XRI000489C	UPPER FRONT SHROUD (1 DOOR) 9MOTAK VERSION)	1	33	XX-2194684	POWER CORD NEMA-5-15P 16AWG, APPX 8"; LONG	1
3	XRI401101	LOWER FRONT SHROUD (1 DOOR, ENTRÉE & KINTERA)	1	34	NON STOCKING	COMPRESSOR UNIT INSTALLATION BOARD	1
	XRI401101C	LOWER FRONT SHROUD (1 DOOR MOTAK VERSION)	1	35	XRI000001	CONDENSER (REPLACES XRI0007 AS OF JUNE 2021)	1
4	XX-URH005	HINGE, UPPER RIGHT	1	36	XRI0083	EVAPORATOR / CONDENSER FAN MOTOR (YZF6-13-26) 1550RPM (REPLACES XX-EFM023 AS OF JUNE 2021, PARTS ARE INTERCHANGEABLE)	1
5	XX-BRH005	HINGE, BOTTOM RIGHT	1	37	XRI050202	CONDENSER FAN COVER	1
6	XX-DC0328	HINGE CARTRIDGE, SELF CLOSING	2	38	XEFMB023	BLADE OF FAN MOTOR	1
7*	XRI0003	TOP/BOTTOM COVER FOR REVERSIBLE DOOR	1	39	XX-H00346	FILTER BRACKET	1
9	XRI0023	DOOR, W/STAINLESS STEEL HANDLE	1	40	XX-H00341	FILTER	1
9	XRI0023-SI	DOOR, W/STAINLESS STEEL HANDLE & INTERIOR DOOR LINER	1	41	X16316130008	OUTER DRAIN PAN	1
9	XRI0023K	DOOR, W/STAINLESS STEEL HANDLE (KINTERA)	1	*	X330009	CAP TUBE (0.035" I.D.X 130" LONG)	1
9	XRI0023M	DOOR, W/STAINLESS STEEL HANDLE (MOTAK)	1	42	XX-HC0012	COMPRESSOR C/W STARTING COMPONENTS (NUT90LR/115V/60Hz/R290)	1
10	XRI0040	DOOR GASKET (52.28" X 26.85")	1	43	XX-HC0012K	STARTING COMPONENTS FOR NUT90LR	1
11	X5302000003	SHELF CLIP	12	44	XRI0036	TEMPERATURE SENSOR OF CABINET INSIDE	1
12	XRI0005	K_STRIP	4	45	XRI490053	DEFROST SENSOR (REPLACES XRI0036 AS ON JUNE 2021, PARTS ARE INTERCHANGEABLE)	1
13	XRI0058	SHELF (23.2" X 23.6")	3	46	XRI220481	DRAIN PAN HEATER (30W, 19" X 4.75")	1
14	NONSTOCKING	LEG SUPPORTER	2	47	XRI0210	DRAIN HOSE HEATER (19" - 115VAC/10W)	1
15	NONSTOCKING	LEFT TRACK FOR ASSEMBLING PANEL	1	48	XRI230126	DEFROST HEATER 250W (16.5" X 2")	1
16	NON STOCKING	RIGHT TRACK FOR ASSEMBLING PANEL	1	49	XX-H00340	LOCK & SET OF 2 KEYS	1
17	XRI060370	EVAPORATOR (4R6K370L) USE FROM JUNE 2021	1	50	NONSTOCKING	BAFFLE OF SUCTION LINE	1
18	XRI180148	INNER DRAIN PAN	1	51	NON STOCKING	BACK GRILL BRACKET	1
19	NONSTOCKING	LEFT EVAPORATOR FAN MOTOR BRACKET	1	52	NON STOCKING	CONTROL PANEL BRACKET	2
20	XRI000032	FAN MOTOR (YZ10-20/10/55) (Alternate for X17701000014) (BLADE #XRI0015 SOLD SEPARATELY)	1	53	XRI0084	HINGE, UPPER SHROUD	2
21	XRI0059	THERMOSTAT (DIXELL XR06CX-4N0C1-XX)	1	54	SEE LOCK	LOCK BOLT	1
22	XRI0056	POWER SWITCH (RED)	1	55	XRI0015	BLADE OF FAN MOTOR	1
23	XRI0080-1	EVAPORATOR COVER (USE AFTER 01/2022)	1	56	XRI0071	DRAIN HOSE	1
24	XRI0002-1	BACK GRILL (USE AFTER DATE 01-2022)	1	57	XRI0074	ELBOW PIPE	1
25	X-2194677	DOOR SWITCH	1	58	X16313130154	EVAPORATOR FAN MOTOR COVER	1
26	XX-H00340	LOCK & SET OF 2 KEYS	1	59	NON STOCKING	LIMITED BLOCK OF INSTALLATION BOARD	1
27	XX-SCB319	4" CASTER W/BRAKE	2	60	X15740260003	VACUUM BREAKER	1
28	XX-SC0319	4" CASTER W/O BRAKE	2	61	NON STOCKING	COMPRESSOR UNIT HANDLE	1
29	XX000430	DRAIN PLUG	1	62	NON STOCKING	RIGHT EVAPORATOR FAN MOTOR BRACKET	1
30	X16352020002	FOAMING HOLE COVER	2	63	XRI990215	DEFROST HEATER THERMAL FUSE (15A)	1
				*	NOT SHOWN		

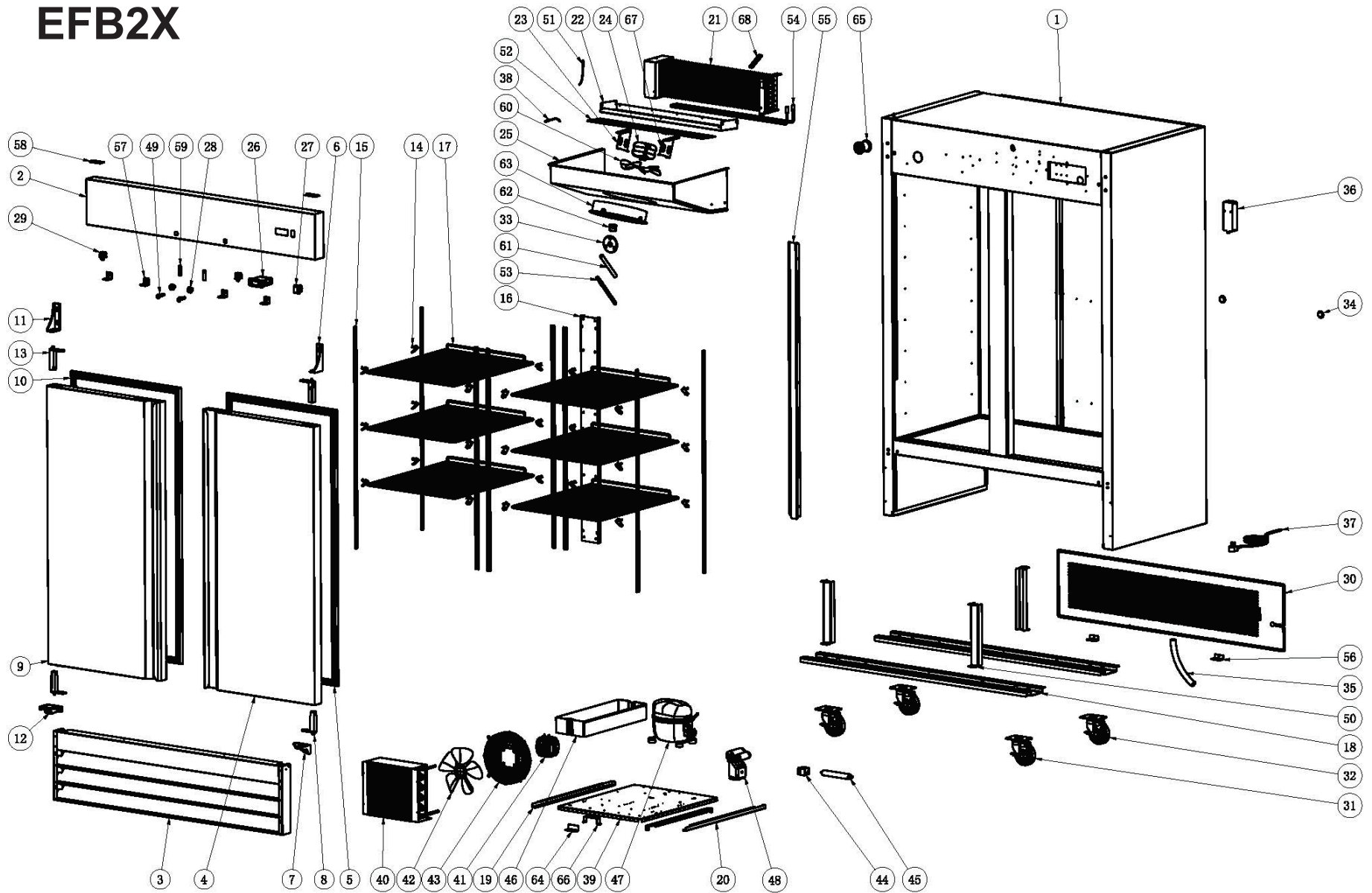
ERB2X



PARTS LIST FOR ERB2X

No.	PART #	DESCRIPTION	QTY	No.	PART #	DESCRIPTION	QTY
1	NONSTOCKING	CABINET	1	29	X-2194677	DOOR SWITCH	2
2	X2199001441	UPPER FRONT SHROUD (2 DR) (ENTRÉE & KINTERA)	1	30	XRI0006-1	BACK GRILL (2 DOOR, USE AFTER 01-2022)	1
2	X2199001441C	UPPER FRONT SHROUD (2 DR) (MOTAK VERSION)	1	31	XX-SCB319	4" CASTER W/BRAKE	2
3	XRI401102	LOWER FRON SHROUD (2 DR) (ENTRÉE & KINTERA VERSION)	1	32	XX-SC0319	4" CASTER W/O BRAKE	2
	XRI401102C	LOWER FRON SHROUD (2 DR) (MOTAK VERSION)	1	33	XX000430	DRAIN PLUG	1
4	XRI0057	DOOR, W/STAINLESS STEEL HANDLE	1	34	X16352020002	FOAMING HOLE COVER	2
4	XRI0057SI	DOOR, W/STAINLESS STEEL HANDLE & INTERIOR DOOR LINER	1	35	XRI0024	DRAIN HOSE	1
4	XRI0057K	DOOR, W/STAINLESS STEEL HANDLE (KINTERA)	1	36	XRI0048-HC	LIGHT COMPONENTS	1
4	XRI0057C	DOOR, W/STAINLESS STEEL HANDLE (MOTAK)	1	37	XRI0054	POWER CORD, NEMA 5-15P (14 AWG, APPX 8" LONG)	1
5	XRI0041	DOOR GASKET (52.28" X 25.07")	1	38	XRI0036	TEMPERATURE SENSOR OF CABINET INSIDE	1
6	XX-URH005	HINGE, UPPER RIGHT	1	39	NON STOCKING	COMPRESSOR UNIT INSTALLATION BOARD	1
7	XX-BRH005	HINGE, BOTTOM RIGHT	1	40	XRI300001	CONDENSER	1
8	XX-DC0328	HINGE CARTRIDGE, SELF CLOSING	4	41	XRI000032	FAN MOTOR (YZ10-20/10/55) (Alternate for X17701000014) (BLADE #XRI0015 SOLD SEPARATELY)	1
9	XRI0057	DOOR, W/STAINLESS STEEL HANDLE	1	42	XRI0015	BLADE OF FAN MOTOR	1
9	XRI0057SI	DOOR, W/STAINLESS STEEL HANDLE & INTERIOR DOOR LINER	1	43	XDD050232	CONDENSER FAN COVER	1
9	XRI0057K	DOOR, W/STAINLESS STEEL HANDLE (KINTERA)	1	44	XX-H00346	FILTER BRACKET	1
9	XRI0057C	DOOR, W/STAINLESS STEEL HANDLE (MOTAK)	1	45	XX-H00341	FILTER	1
10	XRI0041	DOOR GASKET (52.28" X 25.07")	1	46	X16316130008	OUTER DRAIN PAN	1
11	XX-ULH005	HINGE, UPPER LEFT	1	*	X300012	CAP TUBE (0.047" I.D. X 118" LONG)	1
12	XX-BLH004	HINGE, LEFT BOTTOM	1	47	XX-HC0021	COMPRESSOR C/W STARTING COMPONENTS (NUT70NR/115V/R290)	1
13	XX-DC0328	HINGE CARTRIDGE, SELF CLOSING	2	48	XX-HC0021K	STARTING COMPONENTS FOR NUT70NR	1
14	NON STOCKING	REAR SUPPORT CHANEL	1	49	XX-H00340	LOCK & SET OF 2 KEYS	2
15	X5302000003	SHELF CLIP	24	50	NON STOCKING	CABINET SUPPORT CHANEL	3
16	XRI0005	K_STRIP	8	51	NONSTOCKING	BAFFLE OF SUCTION LINE	1
17	XRI0058	SHELF (23.2" X 23.6")	6	52	NON STOCKING	BACK GRILL BRACKET	2
18	NONSTOCKING	BASE CHANEL	2	53	NON STOCKING	CONTROL PANEL BRACKET	4
19	NONSTOCKING	LEFT TRACK FOR ASSEMBLING PANEL	1	54	XRI0084	HINGE, UPPER SHROUD	2
20	NON STOCKING	RIGHT TRACK FOR ASSEMBLING PANEL	1	55	SEE LOCK	LOCK BOLT	2
21	XRI0735R	EVAPORATOR (4R7K620L)	1	56	XRI0015	BLADE OF FAN MOTOR	1
22	XRI180149	INNER DRAIN PAN	1	57	XRI0071	DRAIN HOSE	1
23	NONSTOCKING	LEFT EVAPORATOR FAN MOTOR BRACKET	1	58	XRI0074	ELBOW PIPE	1
24	XRI000032	FAN MOTOR (YZ10-20/10/55) (Alternate for X17701000014) (BLADE #XRI0015 SOLD SEPARATELY)	1	59	X16313130154	EVAPORATOR FAN MOTOR COVER	1
25	XRI0081-1	EVAPORATOR COVER (USE AFTER 01/2022)	1	60	NON STOCKING	LIMITED BLOCK OF INSTALLATION BOARD	1
26	XRI0060	THERMOSTAT	1	61	NON STOCKING	COMPRESSOR UNIT HANDLE	1
27	XRI0056	POWER SWITCH (RED)	1	62	NON STOCKING	RIGHT EVAPORATOR FAN MOTOR BRACKET	1
28	XX-H00340	LOCK & SET OF 2 KEYS	2	*	NOT SHOWN		

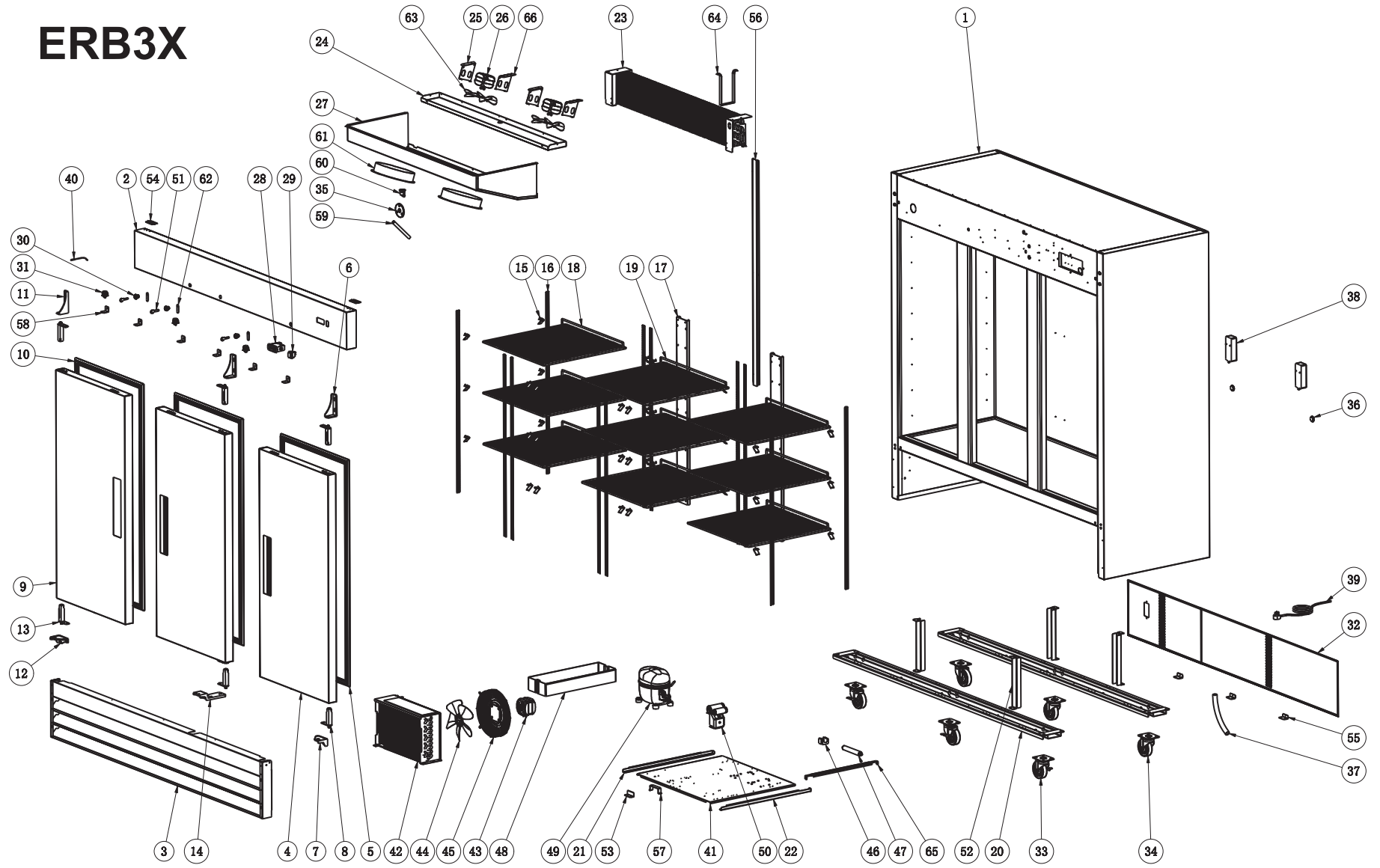
EFB2X



PART LIST FOR EFB2X

No.	PART #	DESCRIPTION	QTY	No.	PART #	DESCRIPTION	QTY
1	NONSTOCKING	CABINET	1	32	XX-SC0319	4" CASTER W/O BRAKE	2
2	X2199001441	UPPER FRONT SHROUD (2 DR) (ENTRÉE & KINTERA)	1	33	XX000430	DRAIN PLUG	1
2	X2199001441C	UPPER FRONT SHROUD (2 DR) (MOTAK VERSION)	1	34	X16352020002	FOAMING HOLE COVER	2
3	XRI401102	LOWER FRON SHROUD (2 DR) (ENTRÉE & KINTERA VERSION)	1	35	XRI0024	DRAIN HOSE	1
3	XRI401102C	LOWER FRON SHROUD (2 DR) (MOTAK VERSION)	1	36	XRI0048-HC	LIGHT COMPONENTS	1
4	XRI0057	DOOR, W/STAINLESS STEEL HANDLE	1	37	XRI0054	POWER CORD, NEMA 5-15P (14 AWG, APPX 8" LONG)	1
4	XRI0057SI	DOOR, W/STAINLESS STEEL HANDLE & INTERIOR DOOR LINER	1	38	XRI0036	TEMPERATURE SENSOR OF CABINET INSIDE	1
4	XRI0057K	DOOR, W/STAINLESS STEEL HANDLE (KINTERA)	1	39	NON STOCKING	COMPRESSOR UNIT INSTALLATION BOARD	1
4	XRI0057C	DOOR, W/STAINLESS STEEL HANDLE (MOTAK)	1	40	XRI300001	CONDENSER	1
5	XRI0041	DOOR GASKET (52.28" X 25.07")	1	41	XRI000032	FAN MOTOR (YZ10-20/10/55) (Alternate for X17701000014) (BLADE #XRI0015 SOLD SEPARATELY)	1
6	XX-URH005	HINGE, UPPER RIGHT	1	42	XRI0015	BLADE OF FAN MOTOR	1
7	XX-BRH005	HINGE, BOTTOM RIGHT	1	43	XDD050232	CONDENSER FAN COVER	1
8	XX-DC0328	HINGE CARTRIDGE, SELF CLOSING	2	44	XX-H00346	FILTER BRACKET	1
9	XRI0057	DOOR, W/STAINLESS STEEL HANDLE	1	45	XX-H00341	FILTER	1
9	XRI0057SI	DOOR, W/STAINLESS STEEL HANDLE & INTERIOR DOOR LINER	1	46	X16316130008	OUTER DRAIN PAN	1
9	XRI0057K	DOOR, W/STAINLESS STEEL HANDLE (KINTERA)	1	*	X450012	CAP TUBE (0.047" I.D. X 177" LONG)	1
9	XRI0057C	DOOR, W/STAINLESS STEEL HANDLE (MOTAK)	1	47	XX-HC0015	COMPRESSOR C/W STARTING COMPONENTS (NPT18LR/115V/R290)	1
10	XRI0041	DOOR GASKET (52.28" X 25.07")	1	48	XX-HC0015K	START KIT FOR NPT18LR	1
11	XX-ULH005	HINGE, UPPER LEFT	1	49	XX-H00340	LOCK & SET OF 2 KEYS	2
12	XX-BLH004	HINGE, LEFT BOTTOM	1	50	NON STOCKING	CABINET SUPPORT CHANEL	3
13	XX-DC0328	HINGE CARTRIDGE, SELF CLOSING	2	51	XRI490053	DEFROST SENSOR (REPLACES XRI0036 AS ON JUNE 2021, PARTS ARE INTERCHANGEABLE)	1
14	X5302000003	SHELF CLIP	24	52	XRI0049	DRAIN PAN HEATER 35W (27.5" X 4.75")	1
15	XRI0005	K_STRIP	8	53	XRI0210	DRAIN HOSE HEATER (19" - 115VAC/10W)	1
16	NON STOCKING	REAR SUPPORT CHANEL	1	54	XRI230127	DEFROST HEATER (REPLACES XRI2500 AS OF JUNE 2021, PARTS ARE INTERCHANGEABLE)	1
17	XRI0058	SHELF (23.2" X 23.6")	6	55	NONSTOCKING	BAFFLE OF SUCTION LINE	1
18	NONSTOCKING	BASE CHANEL	2	56	NON STOCKING	BACK GRILL BRACKET	2
19	NONSTOCKING	LEFT TRACK FOR ASSEMBLING PANEL	1	57	NON STOCKING	CONTROL PANEL BRACKET	4
20	NON STOCKING	RIGHT TRACK FOR ASSEMBLING PANEL	1	58	XRI0084	HINGE, UPPER SHROUD	2
21	XRI0735F	EVAPORATOR (4R7K620L)	1	59	SEE LOCK		2
22	XRI180149	INNER DRAIN PAN	1	60	XRI0015	BLADE OF FAN MOTOR	1
23	NONSTOCKING	LEFT EVAPORATOR FAN MOTOR BRACKET	1	61	XRI0071	DRAIN HOSE	1
24	XRI000032	FAN MOTOR (YZ10-20/10/55) (Alternate for X17701000014) (BLADE #XRI0015 SOLD SEPARATELY)	1	62	XRI0074	ELBOW PIPE	1
25	XRI0081-1	EVAPORATOR COVER (USE AFTER 01/2022)	1	63	X16313130154	EVAPORATOR FAN MOTOR COVER	1
26	XRI0059	THERMOSTAT (DIXELL XR06CX-4N0C1-XX)	1	64	NON STOCKING	LIMITED BLOCK OF INSTALLATION BOARD	1
27	XRI0056	POWER SWITCH (RED)	1	65	X15740260003	VACUUM BREAKER	1
28	XX-H00340	LOCK & SET OF 2 KEYS	2	66	NON STOCKING	COMPRESSOR UNIT HANDLE	1
29	X-2194677	DOOR SWITCH	2	67	NON STOCKING	RIGHT EVAPORATOR FAN MOTOR BRACKET	1
30	XRI0006-1	BACK GRILL (2 DOOR, USE AFTER 01-2022)	1	68	XRI990215	DEFROST HEATER THERMAL FUSE (15A)	1
31	XX-SCB319	4" CASTER W/BRAKE	2	*	NOT SHOWN		

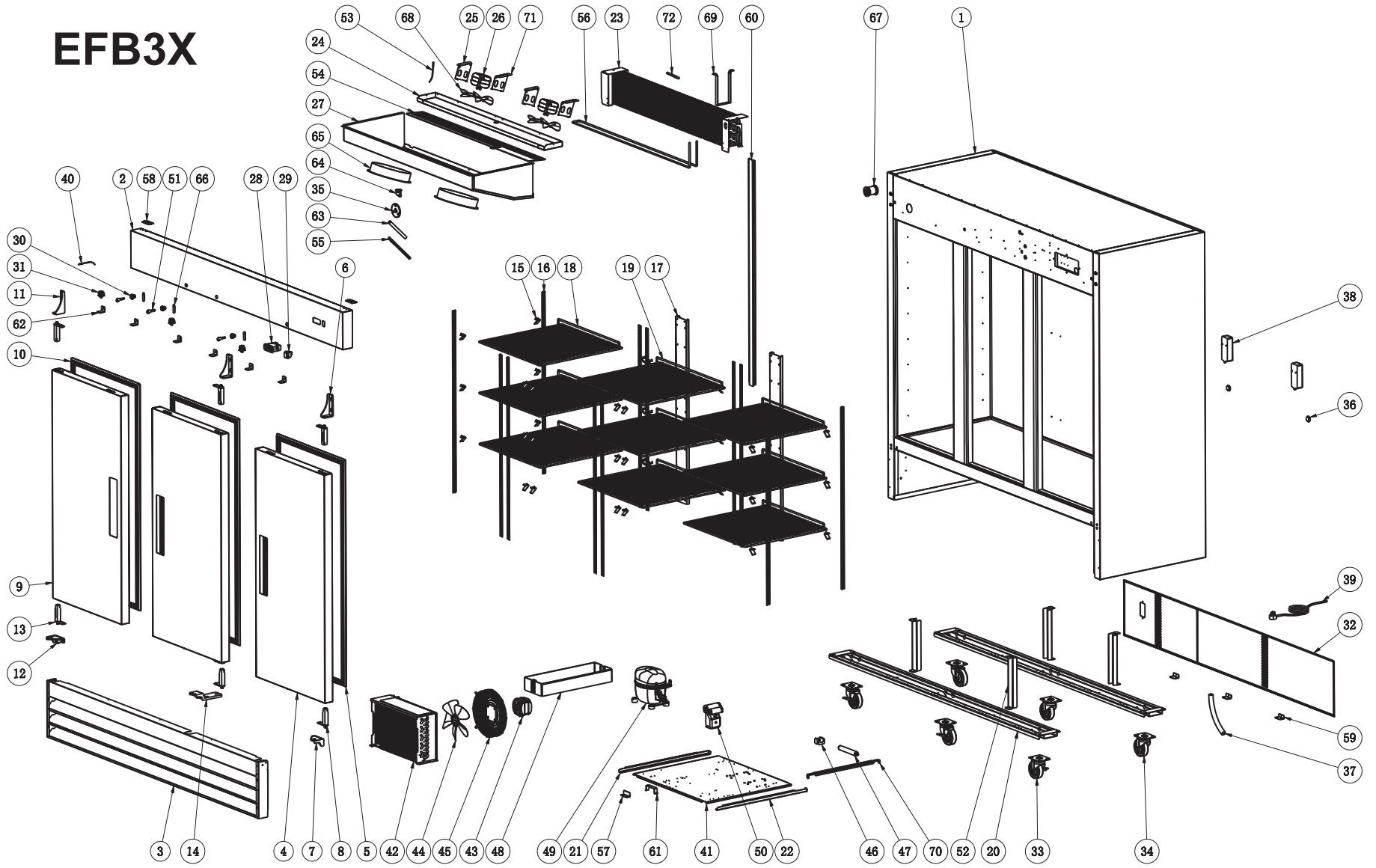
ERB3X



PART LIST ERB3X

No.	PART #	DESCRIPTION	QTY	No.	PART #	DESCRIPTION	QTY
1	NONSTOCKING	CABINET	1	31	X-2194677	DOOR SWITCH	3
2	XRI000691	UPPER SHROUD (ENTRÉE & KINTERA VERSION)	1	32	XRI0064	BACK GRILL (3 DOOR)	1
	XRI000691C	UPPER SHROUD (MOTAK VERSION)	1	33	XX-SCB319	4" CASTER W/BRAKE	3
3	XRI401103	LOWER SHROUD (ENTRÉE & KINTERA VERSION)	1	34	XX-SC0319	4" CASTER W/O BRAKE	3
	XRI401103C	LOWER SHROUD (MOTAK VERSION)	1	35	XX000430	DRAIN PLUG	1
4	XRI0057	DOOR, W/STAINLESS STEEL HANDLE	2	36	X16352020002	FOAMING HOLE COVER	2
4	XRI0057SI	DOOR, W/STAINLESS STEEL HANDLE & INTERIOR DOOR LINER	2	37	XRI0024	DRAIN HOSE	1
4	XRI0057K	DOOR, W/STAINLESS STEEL HANDLE (KINTERA)	2	38	XRI0048-HC	LIGHT COMPONENTS	2
	XRI0057C	DOOR, W/STAINLESS STEEL HANDLE (MOTAK)	2	39	XRI0054	POWER CORD, NEMA 5-15P (14 AWG, APPX 8" LONG)	1
5	XRI0041	DOOR GASKET (52.28" X 25.07")	2	40	XRI0036	TEMPERATURE SENSOR OF CABINET INSIDE	1
6	XX-URH005	HINGE, UPPER RIGHT	2	41	NON STOCKING	COMPRESSOR UNIT INSTALLATION BOARD	1
7	XX-BRH005	HINGE, BOTTOM RIGHT	2	42	XRI110350	CONDENSER (3R11K350L/D6)	1
8	XX-DC0328	HINGE CARTRIDGE, SELF CLOSING	4	43	XRI001827	FAN MOTOR (YZF18-25-26 SHADED POLE/70W/115V/1550RPM)	1
9	XRI0057	DOOR, W/STAINLESS STEEL HANDLE	1	44	XRI0017	BLADE OF FAN MOTOR	1
9	XRI0057SI	DOOR, W/STAINLESS STEEL HANDLE & INTERIOR DOOR LINER	1	45	XRI050255	CONDENSER FAN COVER	1
9	XRI0057K	DOOR, W/STAINLESS STEEL HANDLE (KINTERA)	1	46	XX-H00346	FILTER BRACKET	1
9	XRI0057C	DOOR, W/STAINLESS STEEL HANDLE (MOTAK)	1	47	XX-H00341	FILTER	1
10	XRI0041	DOOR GASKET (52.28" X 25.07")	1	48	XRI0089	OUTER DRAIN PAN	1
11	XX-ULH005	HINGE, UPPER LEFT	1	*	X240014	CAP TUBE (0.055" X 94.5" LONG)	1
12	XX-BLH004	HINGE, LEFT BOTTOM	1	49	XX-HC0027	COMPRESSOR C/W STARTING COMPONENTS (EMC3140U/115V/R290)	1
13	XX-DC0328	HINGE CARTRIDGE, SELF CLOSING	2	50	XX-HC0027K	STARTING COMPONENTS FOR EMC3140U	1
14	XX-BMH002	HINGE, MIDDLE BOTTOM	1	51	XX-H00340	LOCK & SET OF 2 KEYS	3
15	X5302000003	SHELF CLIP	36	52	NON STOCKING	CABINET SUPPORT CHANEL	4
16	XRI0005	K_STRIP	12	53	NON STOCKING	LIMITED BLOCK OF INSTALLATION BOARD	1
17	NON STOCKING	REAR SUPPORT CHANEL	2	54	XRI0084	HINGE, UPPER SHROUD	2
18	XRI0058	SHELF (23.2" X 23.6")	6	55	NON STOCKING	BACK GRILL BRACKET	3
19	XRI0050	SHELF, MIDDLE (25.1" X 22.2")	3	56	NONSTOCKING	BAFFLE OF SUCTION LINE	1
20	NONSTOCKING	BASE CHANEL	2	57	NON STOCKING	COMPRESSOR UNIT HANDLE	1
21	NONSTOCKING	LEFT TRACK FOR ASSEMBLING PANEL	1	58	NON STOCKING	CONTROL PANEL BRACKET	6
22	NON STOCKING	RIGHT TRACK FOR ASSEMBLING PANEL	1	59	XRI0071	DRAIN HOSE	1
23	XRI071100	EVAPORATOR (4R7K1100L)	1	60	XRI0074	ELBOW PIPE	1
24	XRI702001	INNER DRAIN PAN	1	61	X16313130154	EVAPORATOR FAN MOTOR COVER	2
25	NONSTOCKING	LEFT EVAPORATOR FAN MOTOR BRACKET	2	62	SEE LOCK	LOCK BOLT	3
26	XRI000032	FAN MOTOR (YZ10-20/10/55) (Alternate for X17701000014) (BLADE #XRI0015 SOLD SEPARATELY)	2	63	XRI0015	BLADE OF FAN MOTOR	2
27	XRI0082-1	EVAPORATOR COVER (USE AFTER 01/2022)	1	64	NON STOCKING	DEFROST HEATER BRACKET	1
28	XRI0060	THERMOSTAT	1	65	NON STOCKING	AUXILIARY TRACK	1
29	XRI0056	POWER SWITCH (RED)	1	66	NON STOCKING	RIGHT EVAPORATOR FAN MOTOR BRACKET	2
30	XX-H00340	LOCK & SET OF 2 KEYS	3	*	NOT SHOWN		

EFB3X



PARTS LIST EFB3X

No.	PART #	DESCRIPTION	QTY	No.	PART #	DESCRIPTION	QTY
1	NONSTOCKING	CABINET	1	34	XX-SC0319	4" CASTER W/O BRAKE	3
2	XRI000691	UPPER SHROUD (ENTRÉE & KINTERA VERSION)	1	35	XX000430	DRAIN PLUG	1
	XRI000691C	UPPER SHROUD (MOTAK VERSION)	1	36	X16352020002	FOAMING HOLE COVER	2
3	XRI401103	LOWER SHROUD (ENTRÉE & KINTERA VERSION)	1	37	XRI0024	DRAIN HOSE	1
	XRI401103C	LOWER SHROUD (MOTAK VERSION)	1	38	XRI0048-HC	LIGHT COMPONENTS	2
4	XRI0057	DOOR, W/STAINLESS STEEL HANDLE	2	39	XRI0051	POWER CORD (NEMA 5-20P, 12AWG, APPX 8' LONG)	1
4	XRI0057SI	DOOR, W/STAINLESS STEEL HANDLE & INTERIOR DOOR LINER	2	40	XRI0036	TEMPERATURE SENSOR OF CABINET INSIDE	1
4	XRI0057K	DOOR, W/STAINLESS STEEL HANDLE (KINTERA)	2	41	NON STOCKING	COMPRESSOR UNIT INSTALLATION BOARD	1
	XRI0057C	DOOR, W/STAINLESS STEEL HANDLE (MOTAK)	2	42	XRI110350	CONDENSER (3R11K350L/D6)	1
5	XRI0041	DOOR GASKET (52.28" X 25.07")	2	43	XRI001827	FAN MOTOR (YZF18-25-26 SHADED POLE/70W/115V/1550RPM)	1
6	XX-URH005	HINGE, UPPER RIGHT	2	44	XRI0017	BLADE OF FAN MOTOR	1
7	XX-BRH005	HINGE, BOTTOM RIGHT	2	45	XRI050255	CONDENSER FAN COVER	1
8	XX-DC0328	HINGE CARTRIDGE, SELF CLOSING	4	46	XX-H00346	FILTER BRACKET	1
9	XRI0057	DOOR, W/STAINLESS STEEL HANDLE	1	47	XX-H00341	FILTER	1
9	XRI0057SI	DOOR, W/STAINLESS STEEL HANDLE & INTERIOR DOOR LINER	1	48	XRI0089	OUTER DRAIN PAN	1
9	XRI0057K	DOOR, W/STAINLESS STEEL HANDLE (KINTERA)	1	*	X340014	CAP TUBE (0.055" I.D. X 134" LONG)	1
9	XRI0057C	DOOR, W/STAINLESS STEEL HANDLE (MOTAK)	1	49	X17202100068	COMPRESSOR C/W STARTING COMPONENTS (SCE21CNLX/115V/R290)	1
10	XRI0041	DOOR GASKET (52.28" X 25.07")	1	50	XX-STARTKITHC6	START KIT FOR COMPRESSOR SCE21CNLX	1
11	XX-ULH005	HINGE, UPPER LEFT	1	51	XX-H00340	LOCK & SET OF 2 KEYS	3
12	XX-BLH004	HINGE, LEFT BOTTOM	1	52	NON STOCKING	CABINET SUPPORT CHANEL	4
13	XX-DC0328	HINGE CARTRIDGE, SELF CLOSING	2	53	XRI490053	DEFROST SENSOR (REPLACES XRI0036 AS ON JUNE 2021, PARTS ARE INTERCHANGEABLE)	1
14	XX-BMH002	HINGE, MIDDLE BOTTOM	1	54	XRI221151	DRAIN PAN HEATER (45.25" x 3.75", 55W-115VAC)	1
15	X5302000003	SHELF CLIP	36	55	XRI0210	DRAIN HOSE HEATER (19" - 115VAC/10W)	1
16	XRI0005	K_STRIP	12	56	XRI230134	DEFROST HEATER 650W (46.45" X 2")	1
17	NON STOCKING	REAR SUPPORT CHANEL	2	57	NON STOCKING	LIMITED BLOCK OF INSTALLATION BOARD	1
18	XRI0058	SHELF (23.2" X 23.6")	6	58	XRI0084	HINGE, UPPER SHROUD	2
19	XRI0050	SHELF, MIDDLE (25.1" X 22.2")	3	59	NON STOCKING	BACK GRILL BRACKET	3
20	NONSTOCKING	BASE CHANEL	2	60	NONSTOCKING	BAFFLE OF SUCTION LINE	1
21	NONSTOCKING	LEFT TRACK FOR ASSEMBLING PANEL	1	61	NON STOCKING	COMPRESSOR UNIT HANDLE	1
22	NON STOCKING	RIGHT TRACK FOR ASSEMBLING PANEL	1	62	NON STOCKING	CONTROL PANEL BRACKET	6
23	XRI071100	EVAPORATOR (4R7K1100L)	1	63	XRI0071	DRAIN HOSE	1
24	XRI702001	INNER DRAIN PAN	1	64	XRI0074	ELBOW PIPE	1
25	NONSTOCKING	LEFT EVAPORATOR FAN MOTOR BRACKET	2	65	X16313130154	EVAPORATOR FAN MOTOR COVER	2
26	XRI000032	FAN MOTOR (YZ10-20/10/55) (Alternate for X17701000014) (BLADE #XRI0015 SOLD SEPARATELY)	2	66	SEE LOCK	LOCK BOLT	3
27	XRI0082-1	EVAPORATOR COVER (USE AFTER 01/2022)	1	67	X15740260003	VACUUM BREAKER	1
28	XRI0059	THERMOSTAT (DIXELL XR06CX-4N0C1-XX)	1	68	XRI0015	BLADE OF FAN MOTOR	2
29	XRI0056	POWER SWITCH (RED)	1	69	NON STOCKING	DEFROST HEATER BRACKET	1
30	XX-H00340	LOCK & SET OF 2 KEYS	3	70	NON STOCKING	AUXILIARY TRACK	1
31	X-2194677	DOOR SWITCH	3	71	NON STOCKING	RIGHT EVAPORATOR FAN MOTOR BRACKET	2
32	XRI0064	BACK GRILL (3 DOOR)	1	72	XRI990215	DEFROST HEATER THERMAL FUSE (15A)	1
33	XX-SCB319	4" CASTER W/BRAKE	3	*	NOT SHOWN		



Entrée Solid Door Reach-In Models:

ERB1X ERB2X ERB3X
EFB1X EFB2X EFB3X



PHONE: 704-900-2068

Website: www.entree.biz

REV. 20260622