



**MERCHANDISERS
REFRIGERATORS & FREEZER
PARTS LISTS**



**PHONE: 704-900-2068
Website: www.entree.biz**

MODEL NUMBER BREAK DOWN:

The model number breakdown is really easy and simple:

For example: EGM21X

E – Entrée,

G – Glass

M – MERCHANDISER

21 –Width of Merchandiser

No letter – Refrigerator, if this was an “**F**” it would be a FREEZER.

X – Factory Identifier

The EGM**SDR**54X is the only odd model because it has two SLIDING doors. All the other models are swing doors. The stand hinge side on all single door is on the right side as you would be looking at the merchandiser.

SDR = Sliding Door Refrigerator

SERIAL NUMBER BREAKDOWN:

There are 16 digits in the serial number, NO LETTERS.

Example: 6016171117030101

The third set of four (4) number are the date when manufactured:

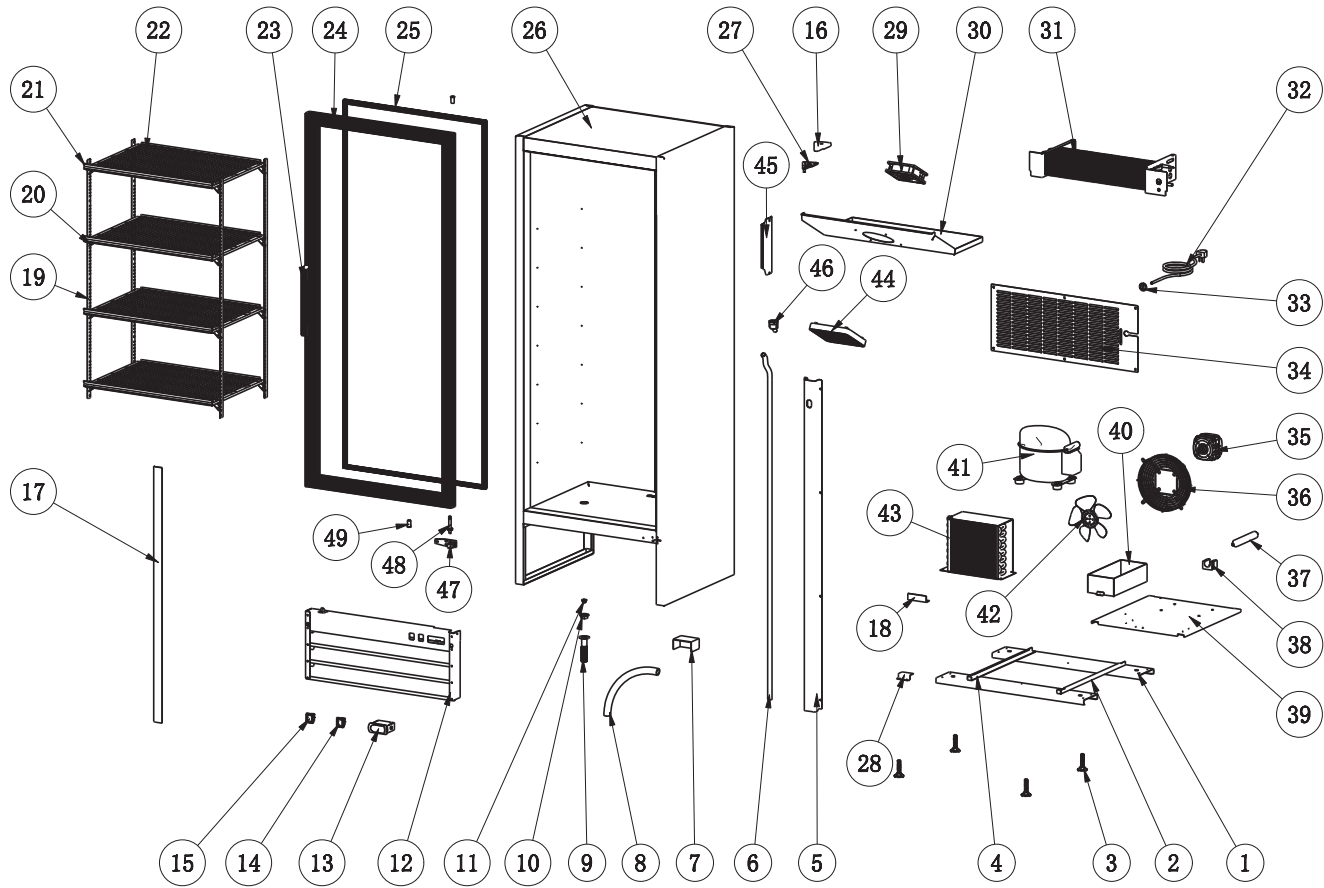
Year manufactured: 17 = 2017 03=March

All models use R290 Freon

TO ORDER PARTS:

To order parts that are non-warranty, please call 704-900-2068 and select option #2 for our parts distributor.

MODEL EGM21X

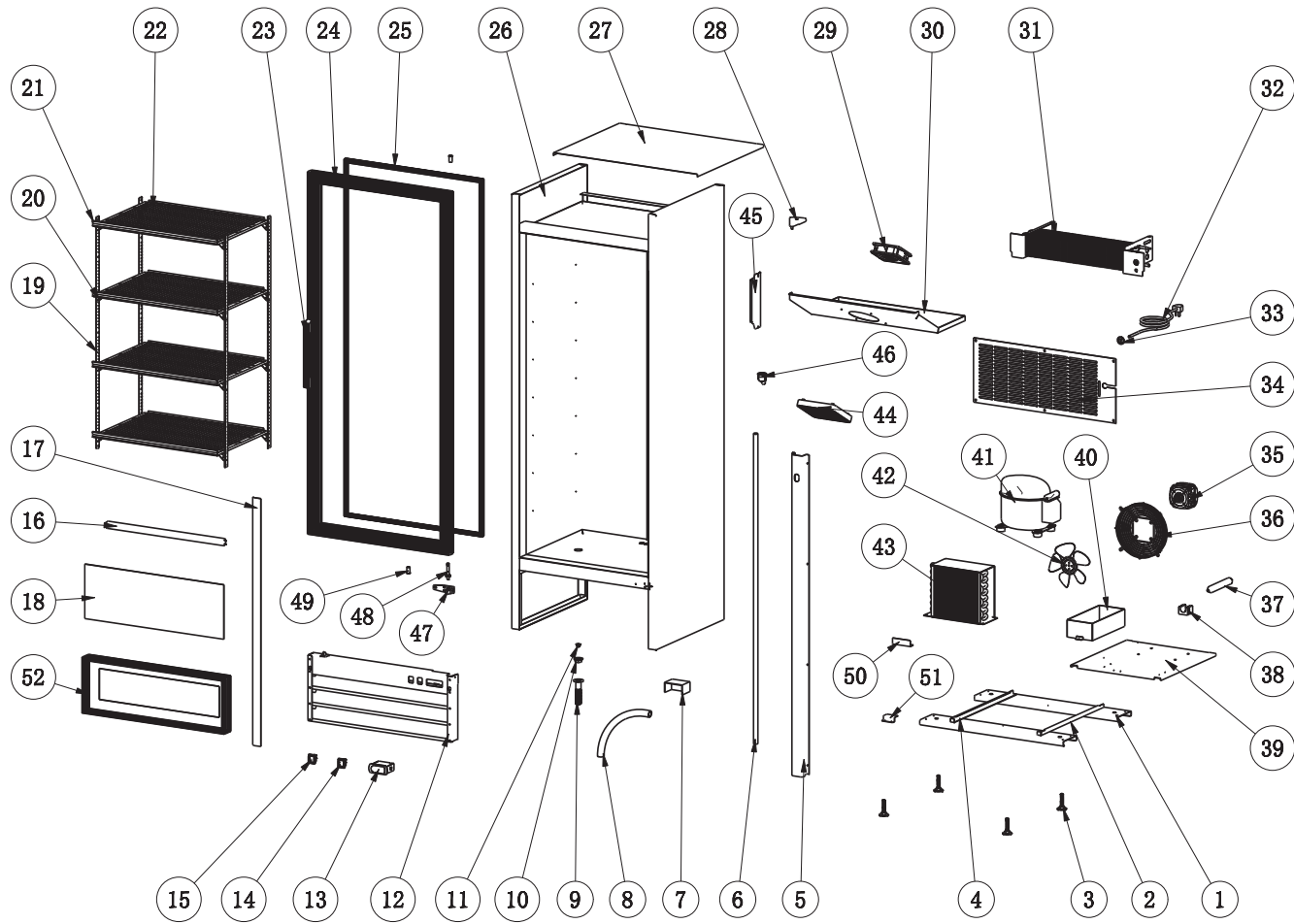


MODEL EGM21X

NO.	Part #	Description	QTY
1	N/A	CASTER MOUNTING CHANNEL	2*
2	N/A	RIGHT TRACK FOR INSTALLATION BOARD	1*
3	X12534030002	LEVELING FEET	4
3	XSC30001	CASTER SWIVEL 2" W/O BRAKE	2
3	XSC30002	CASTER SWIVEL 2" W/BRAKE	2
4	N/A	LEFT TRACK FOR INSTALLATION BOARD	1*
5	XGM001176	REAR GRILL	1*
6	X15818180013	DRAIN TUBE - INTERIOR	1
7	X16351170004	WATERPROOF COVER FOR THERMOSTAT	1
8	XRI0024	DRAIN TUBE - EXTERIOR	1
9	X15810020900	PLASTIC DRAIN PIPE	1
10	X15810020900	PLASTIC DRAIN PIPE	1
11	X16369260001	DRAIN PIPE COVER	1
12	X2199001177	FRONT GRILLE	1
13	XRI0060	THERMOSTAT (XR03CX-4N0F1/115V)	1
14	X17749180002	LED LIGHT SWITCH	1
15	XRI0056	POWER SWITCH (RED)	1
16	XUC0014	HINGE UPPER COVER	2
17	XLED410070	LED LIGHT W/SOCKET 39.4" (12VCD/6W)	1
18	N/A	HANDLE FOR CONDENSING TRAY	1
19	XGM001178	K STRIP	4
20	X5302000003	K CLIP	16
21	X16311010412	SHELF TAG	4
22	X12502013545	SHELF (18" x 14")	4
23	X12526260024	GLASS DOOR HANDLE	1
24	XGM531242	DOOR GLASS (48.8" X 21.2")	1
25	X16401000010	GASKET GLASS DOOR (47.63" X 20.08")	1

NO.	Part #	Description	QTY
26	N/A	CABINET	1
27	X12518014790	HINGE UPPER RIGHT	1
28	N/A	CONDENSER PULL OUT HANDLE	1*
29	X1003001114715	FAN MOTOR	1
30	XGM001179	EVAPORATOR COVER	1
31	XGM040351	EVAPORATOR COIL	1
32	XRI0055	POWER CORD NEMA-5-15P 16AWG, 8' LONG	1
33	X16349150001	POWER CORD COVER	1
34	XGM001180	REAR GRILL	1*
35	X22752520006	FAN MOTOR	1
36	XRI0120	FAN MOTOR GUARD/COVER	1
37	XX-H00341	FILTER DRIER (F25X160-B)	1
38	XX-H00346	FILTER BRACKET	1*
38	X190009	CAP TUBE .035" I.D. X 74.8" L	1
39	N/A	CONDENSING UNIT INSTALLATION PANEL	1*
40	X16316130006	DRAIN PAN OUTER (9.7" X 3.9" X 3")	1
41	XX-HC0001	COMPRESSOR (EM2X3117U/115V/60HZ/R290)	1
41	XX-STARTKITHC1	START KIT FOR EM2X3117U	+
42	X16381738052	CONDENSER FAN BLADE	1
43	X17303080202	CONDENSER COIL	1
44	X12504050002	EVAPORATOR FAN COVER	1
45	X22753530009	LED POWER SUPPLY	1
46	X16369330055	DRAIN TUBE INNER CONNECTOR	1
47	X12517060309	HINGE, BOTTOM	1
48	XGM030003	BOTTOM SPRING AXIS	1
49	X16353010017	AXIS COVER	2

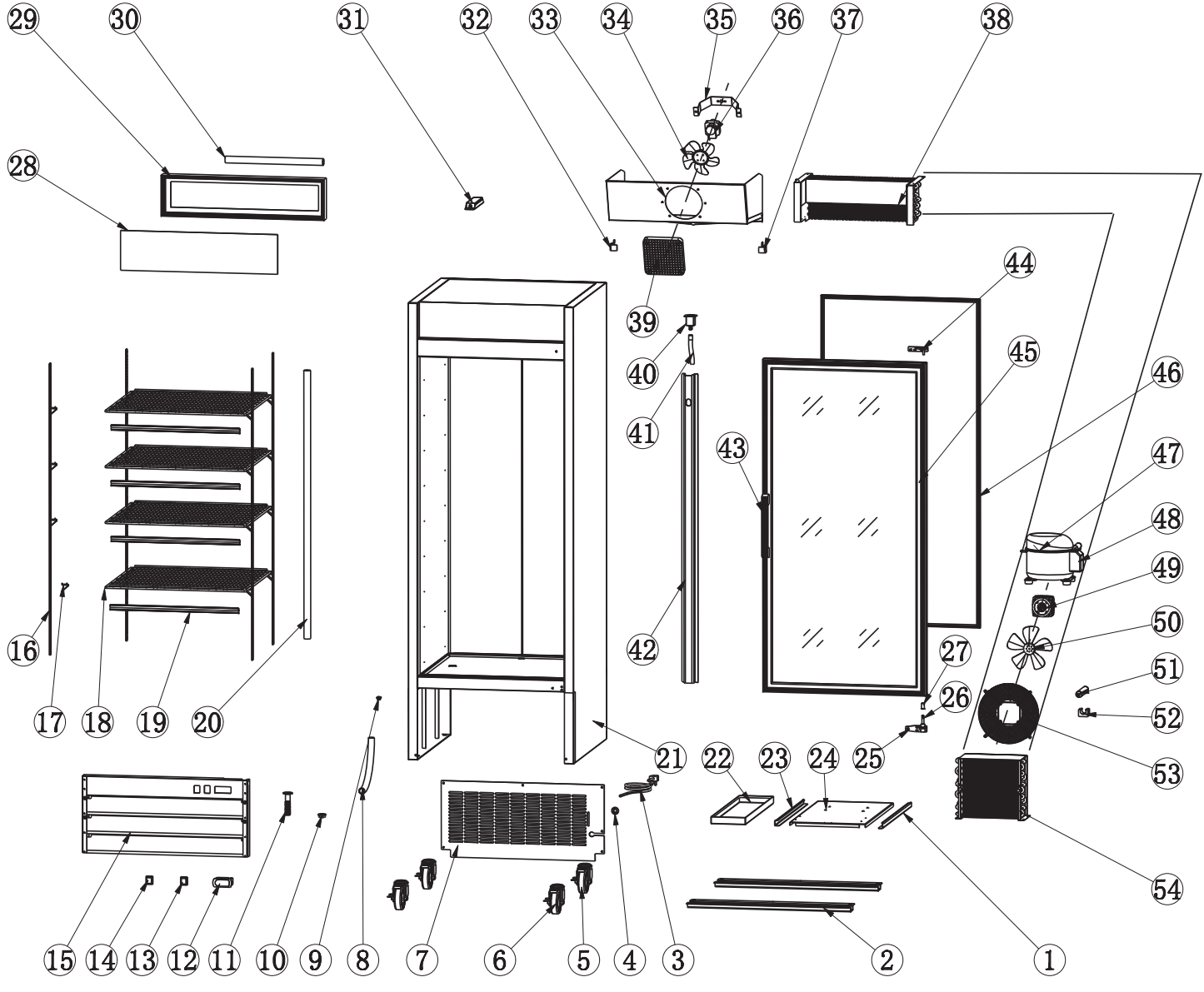
MODEL EGM26X



MODEL EGM26X

NO.	Part #	Description	QTY	NO.	Part #	Description	QTY
1	N/A	CASTER MOUNTING CHANNEL	2*	27	X2199001201	TOP COVER	1*
2	N/A	RIGHT TRACK FOR INSTALLATION BOARD	1*	28	X12517050004	HINGE UPPER RIGHT	1
3	X12534030002	LEVELING FEET	4	29	X1003001114715	FAN MOTOR	1
3	XSC30001	CASTER SWIVEL 2" W/O BRAKE	2	30	X2199001202	EVAPORATOR COVER	1*
3	XSC30002	CASTER SWIVEL 2" W/BRAKE	2	31	X17404040450	EVAPORATOR COIL	1
4	N/A	LEFT TRACK FOR INSTALLATION BOARD	1*	32	XRI0055	POWER CORD NEMA-5-15P 16AWG, 8' LONG	1
5	NA	AIR PIPE COVER PANEL	1	33	X16349150001	POWER CORD COVER	1
6	X15818180013	DRAIN TUBE - INTERIOR	1	34	XGM001203	REAR GRILL	1*
7	X16351170004	WATERPROOF COVER FOR THERMOSTAT	1	35	X22752520006	FAN MOTOR	1
8	XRI0024	DRAIN TUBE - EXTERIOR	1	36	XRI0120	FAN MOTOR GUARD/COVER	1
9	X15810020900	PLASTIC DRAIN PIPE	1	37	XX-H00341	FILTER DRIER (F25X160-B)	1
10	X15810020900	PLASTIC DRAIN PIPE	1	37	X220010	CAP TUBE .039" I.D. X 86.6" L	1
11	X16369260001	DRAIN PIPE COVER	1	38	XX-H00346	FILTER BRACKET	1*
12	X2199001199	FRONT GRILLE	1	39	N/A	CONDENSING UNIT INSTALLATION PANEL	1*
13	XRI0060	THERMOSTAT (XR03CX-4N0F1/115V)	1	40	X16316130006	DRAIN PAN OUTER (9.7" X 3.9" X 3")	1
14	X17749180002	LED LIGHT SWITCH	1	41	XX-HC0001	COMPRESSOR (EM2X3117U/115V/60HZ/R290)	1
15	XRI0056	POWER SWITCH (RED)	1	41	XX-STARTKITHC1	START KIT FOR EM2X3117U	+
16	X17740410073	LED LIGHT W/SOCKET 23.6" (12VDC/3.2W)	2	42	X16381738052	CONDENSER FAN BLADE	1
17	X17740410071	LED LIGHT W/SOCKET 47.25" (12VDC/7.2W)	1	43	X17303080202	CONDENSER COIL	1
18	N/A	HANDLE FOR CONDENSER TRAY	1	44	X12504050002	EVAPORATOR FAN COVER	1
19	X2199001200	K STRIP	4	45	X22753530009	LED POWER SUPPLY	1
20	X5302000003	K CLIP	16	46	X16369330055	DRAIN TUBE INNER CONNECTOR	1
21	X16311010520	SHELF TAG	4	47	X12517060309	HINGE, BOTTOM	1
22	X12502014056	SHELF (22.28" X 16")	4	48	XGM030003	BOTTOM SPRING AXIS	1
23	X12526260024	GLASS DOOR HANDLE	1	49	X16353010017	AXIS COVER	2
24	XGM631466	DOOR GLASS (57.6" X 25.1")	1	50	N/A	HANDLE FOR CONDENSING TRAY	1
25	X16401000015	GASKET GLASS DOOR (56.38" X 24.02")	1	51	N/A	CONDENSER PULL OUT HANDLE	1*
26	N/A	CABINET	1	52	X12901225640	LIGHT BOX FRAME (25.2" X 8.9")	1

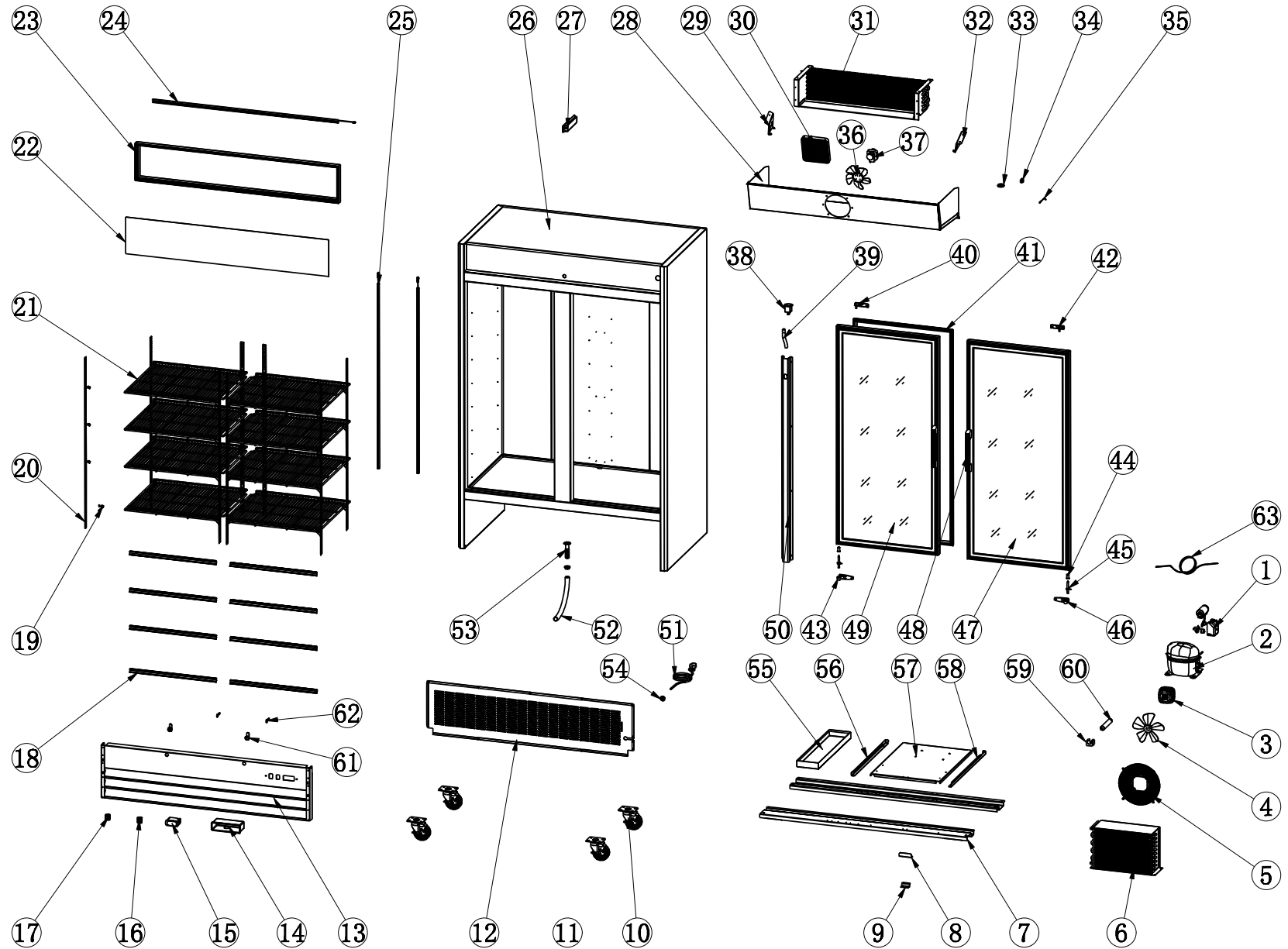
MODEL EGM28X



MODEL EGM28X

NO.	Part #	Description	QTY	NO.	Part #	Description	QTY
1	N/A	RIGHT TRACK FOR CONDENSER PANEL	1*	27	X16353010017	AXIS COVER	2
2	N/A	CASTER MOUNTING CHANNEL	2*	28	X16317170702	PLASTIC PANEL (27.64" x 6.77" X .078")	1
3	XRI0055	POWER CORD NEMA-5-15P 16AWG, 8' LONG	1	29	X12901177710	LIGHT BOX FRAME (28" X 7")	1
4	X16349150001	POWER CORD COVER	1	30	X17740410073	LED LIGHT W/SOCKET 23.6" (12VDC/3.2W)	1
5	X12533040010	CASTER SWIVEL 3" W/O BRAKE	2	31	X22753530009	LED POWER SUPPLY	4
6	X12533040015	CASTER SWIVEL 3" W/BRAKE	2	32	N/A	LEFT BRACKET FOR EVAPORATOR FAN COVER	1*
7	XGM001206	REAR GRILL	1*	33	X2199001210	EVAPORATOR COVER	1*
8	XRI0024	DRAIN TUBE - EXTERIOR	1	34	X16381738012	EVAPORATOR FAN MOTOR BLADE	1
9	X16369260001	DRAIN PIPE COVER	1	35	N/A	FAN MOTOR BRACKET	1*
10	X15810020900	PLASTIC DRAIN PIPE	1	36	X22752520015	FAN MOTOR	1
11	X15810020900	PLASTIC DRAIN PIPE	1	37	N/A	RIGHT BRACKET FOR EVAPORATOR FAN COVER	1*
12	XRI0060	THERMOSTAT (XR03CX-4N0F1/115V)	1	38	XGM070461	EVAPORATOR COIL	1
12	XRI0034	EVAPORATOR TEMPERATURE SENSOR(NTC, 158")	1	39	X12504050002	EVAPORATOR FAN COVER	1
12	XRI0033	CABINET PROBE (NTC, 158")	1	40	X16369330055	DRAIN TUBE INNER CONNECTOR	1
13	X17749180002	LED LIGHT SWITCH	1	41	X15818180013	DRAIN TUBE - INTERIOR	1
14	XRI0056	POWER SWITCH (RED)	1	42	N/A	AIR PIPE COVER PANEL	1
15	X2199001207	FRONT GRILLE	1	43	X12526260024	GLASS DOOR HANDLE	1
16	XRI0005	K STRIP	4	44	X12517050004	HINGE UPPER RIGHT	1
17	X5302000003	K CLIP	16	44	X12517050002	HINGE UPPER LEFT (OPTIONAL FOR LEFT SWING DOOR)	1
18	X12502115961	SHELF (24.3" X 23.2")	4	45	X14201711445	DOOR GLASS (56.7" X 28") RIGHT SWING -STANDARD	1
19	X16311010580	SHELF TAG	4		XM010094	DOOR GLASS (56.7" X 28") LEFT SWING *SPECIAL ORDER	1*
20	X17740410071	LED LIGHT W/SOCKET 47.25" (12VDC/7.2W)	1	46	X16401000024	GASKET GLASS DOOR (55.5" X 26.8")	1
21	N/A	CABINET	1	47	XX-HC0001	COMPRESSOR (EM2X3117U/115V/60HZ/R290)	1
22	XRI0090	CONDENSER DRAIN PAN (12.5" X 4.3" X 1.6")	1	48	XX-STARTKITHC1	START KIT FOR EM2X3117U	+
23	N/A	LEFT TRACK FOR CONDENSER PANEL	1*	49	X22752520004	FAN MOTOR	1
24	N/A	COMPRESSOR UNIT INSTALLATION BOARD	1*	50	XRI0015	CONDENSER FAN BLADE	1
25	X12517060309	HINGE BOTTOM	1	51	XX-H00347	FILTER DRIER (D25 X 167-D)	1
25	XGM002243	HINGE BOTTOM LEFT	1	52	XX-H00346	FILTER BRACKET	1*
26	XGM030003	BOTTOM SPRING AXIS	1	52	X250010	CAP TUBE .039" I.D. X 86.6" L	1
*		NON STOCKING PART		53	XRI0122	FAN MOTOR GUARD/COVER	1
				54	XSBC07036	CONDENSER COIL	1

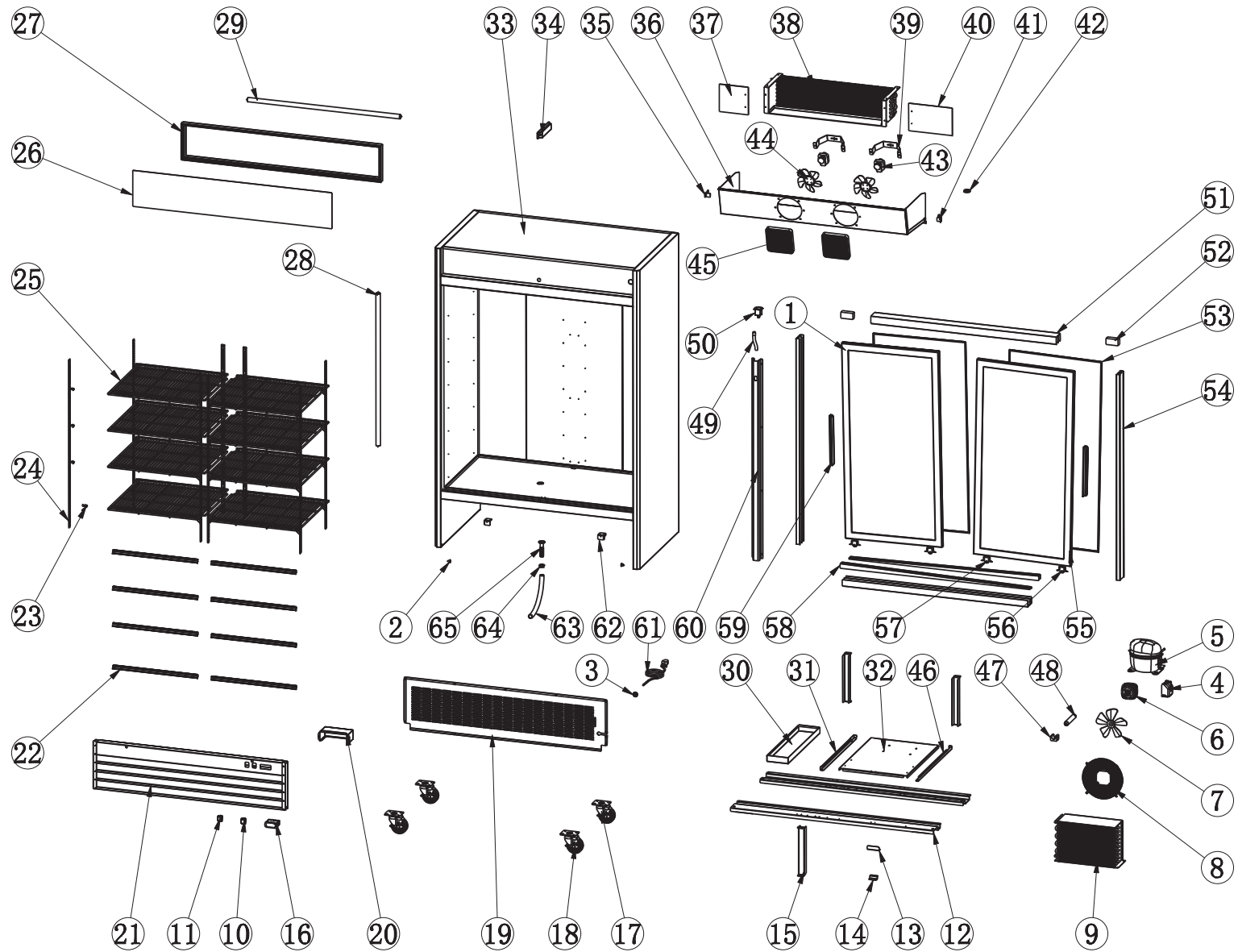
Parts Diagram for Model EGM48X



PART LIST FOR MODEL EGM48X

NO.	PART #	DESCRIPTION	QTY	NO.	PART #	DESCRIPTION	QTY
1	XX-HC0021K	START KIT (NUT70NR/115V/60HZ/R290)	1	33	X16349180033	POWER CORD COVER	1
2	XX-HC0021	COMPRESSOR (NUT70NR/115V/60HZ/R290) ALT XX-HC0009	1	34	N/A	TEMP PROBE CLIP	1
3	XGM001027	CONDENSER FAN MOTOR	1	35	N/A	TEMPERATURE PROBE BRACKET	1
4	XRI0015	CONDENSER FAN MOTOR BLADE	1	36	XRI0015	FAN MOTOR BLADE (for Motor #XRI000032) (OBS, REPLACED WITH XRI0015-1 JUNE 2021)	1
5	XDD050232	CONDENSER FAN COVER	1	36	XRI0015-1	FAN MOTOR BLADE (for Motor #XRI000032, FROM JUNE 2021)	
6	XRI300001	CONDENSER COIL (D230) USED AFTER March 2022	1	37	X22752520015	EVAPORATOR FAN MOTOR (EM3020L-28-C04) [USED PRIOR TO JULY 2022]	1
7	N/A	BOTTOM SUPPORT CHANEL	2	37	XRI000032	EVAPORATOR FAN MOTOR (USED AFTER JULY 2022)	1
8	X2199001086	HANDLE	1	38	XRI0073	DRAIN CONNECTOR	1
9	N/A	LIMIT BLOCK	1	39	XDD180013	DRAIN TUBE	1
10	X12533040010	3" CASTER W/O BRAKE	2	40	X12517050002	HINGE, UPPER LEFT	1
11	X12533040015	3" CASTER W/BRAKE	2	41	X16401000271	GASKET, GLASS DOOR (54.53" X 24.80") [1385mm X 630mm]	1
11	XX-CSTRKIT04	4 - 3" CASTER KIT (2 W/BRAKE, 2 W/O BRAKE)	OPT	42	X12517050004	HINGE, UPPER RIGHT	1
12	XGM001226	GRILL, REAR	1	43	X2199002136	HINGE, BOTTOM LEFT	1
13	X2199001227	FRONT GRILL	1	44	X16353010017	AXIS COVER	4
14	XGM130020	WATER PROOF COVER OF THERMOSTAT	1	45	XGM030003	BOTTOM SPRING AXIS	2
15	XRI0060	THERMOSTAT	1	46	XGM002137	HINGE, BOTTOM RIGHT	1
16	X17749180002	LED SWITCH	1	47	XGM010183	DOOR GLASS RIGHT (55.7" X 26") (BLACK FINISH)	1
17	XRI0056	POWER SWITCH (RED)	1	48	X12526260024	DOOR HANDLE	2
18	X16311010545	SHELF TAG	8	49	XGM010182	DOOR GLASS LEFT (55.7" X 26") (BLACK FINISH)	1
19	X5302000003	SHELF CLIP	32	50	X2199001235	AIR PIPE PROTECTION BOARD	1
20	XRI0005	PILASTER	8	51	XX-2194684	POWER CORD NEMA-5-15P 16AWG, 8' LONG	1
21	X12502012864	SHELF (24.02" X 25.20") [610mm X 640mm]	8	52	XRI0024	DRAIN PIPE	1
22	X16317181343	PLASTIC PANEL (52.87" X 7.32") [1343mm X 186mm]	1	53	XMC020900	DRAIN TUBE, PLASTIC	1
23	X12901191348	LIGHT BOX FRAME	1	54	X16349150001	POWER CORD COVER (NON STOCKING)	1
24	XLED100427	L.E.D. CANOP LIGHT (AUDIO STYLE, SMG, L-1200MM)	1	55	X16316130008	DRAIN PAN OUTER (9.6" X 6.69" X 2.95") [245mm X 170mm X 75mm]	1
25	X17740410163	L.E.D. LIGHT (AUDIO STYLE, PW3W-36A/1200mm)	2	56	N/A	LEFT RAIL FOR INSTALLATION BOARD	1
26	N/A	CABINET	1	57	N/A	INSTALLATION BOARD	1
27	XDVR000261	L.E.D. DRIVER (VDC-12040A0695)	1	58	N/A	RIGHT RAIL FOR INSTALLATION BOARD	1
28	NON STOCK	EVAPORATOR COVER	1	59	XX-H00346	FILTER DRIER BRACKET	1
29	NON STOCK	EVAPORATOR FAN MOTOR BRACKET, LEFT	1	60	XX-H00341	FILTER DRIER	1
30	XGM130157	EVAPORATOR FAN COVER	1	61	XX-H00340	LOCK AND KEY (KEY IS NOT SOLD SEPERATELY)	1
31	XGM301121	EVAPORATOR COIL (4R8K620L)	1	62	XX-H00340	LOCK AND KEY (KEY IS NOT SOLD SEPERATELY)	1
32	NON STOCK	EVAPORATOR FAN MOTOR BRACKET, RIGHT	1	63	X040020	CAPILLARY (φ1.2*2.5*3200) (REPLACES X280014)	1

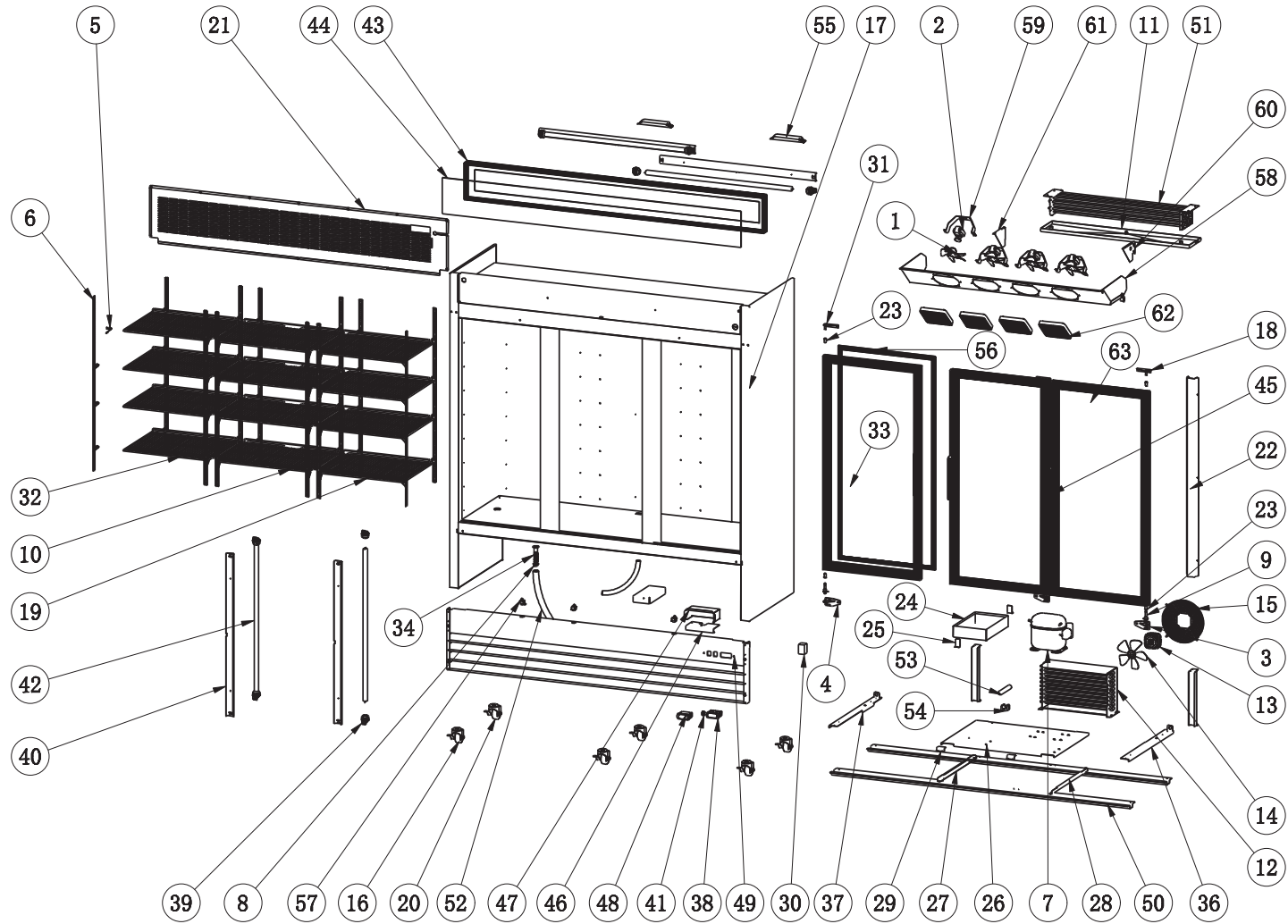
MODEL EGMSDR54X



MODEL EGMSDR54X

NO.	Part #	Description	QTY	NO.	Part #	Description	QTY
1	X14201641294	DOOR GLASS LEFT (50.8" X 25.2")	1	33	N/A	CABINET	1
2	X12555000001	FRONT GRILL BRACKET	2*	34	X22753530010	LED POWER SUPPLY	1
3	X16349150001	POWER CORD COVER	1	35	N/A	LEFT BRACKET FOR EVAPORATOR FAN COVER	1*
4	XX-STARTKITHC2	START KIT FOR EM2X3125U	+	36	X2199001230	EVAPORATOR COVER	1*
5	XX-HC0003	COMPRESSOR (EM2X3125U/110VAC/60HZ/R290)	1	37	N/A	LEFT END PLATE FOR EVAPORATOR	1*
6	X22752520004	FAN MOTOR	1	38	X17405070746	EVAPORATOR COIL	1
7	XRI0015	CONDENSER FAN BLADE	1	39	N/A	FAN MOTOR BRACKET	1*
8	XRI0122	FAN MOTOR GUARD/COVER	1	40	N/A	RIGHT END PLATE FOR EVAPORATOR	1*
9	X17304100381	CONDENSER COIL	1	41	N/A	RIGHT BRACKET FOR EVAPORATOR FAN COVER	1*
10	X1774918002	LED LIGHT SWITCH	1	42	X16349180033	POWER CORD COVER	1
11	XRI0056	POWER SWITCH (RED)	1	43	X22752520015	FAN MOTOR	2
12	N/A	CASTER MOUNTING CHANEL	2*	44	X16381738012	EVAPORATOR FAN MOTOR BLADE	2
13	N/A	HANDLE FOR CONDENSING TRAY	1	45	X12504050002	EVAPORATOR FAN COVER	1
14	N/A	CONDENSER PULL OUT HANDLE	1*	46	N/A	RIGHT TRACK FOR CONDENSER PANEL	1*
15	N/A	SUPPORT ROD	3*	47	N/A	FILTER BRACKET	1*
16	XRI0060	THERMOSTAT (XR03CX-4N0F1/115V)	1	48	X280014	CAP TUBE .055" I.D. X 110.25" L	1
16	XRI0034	EVAPORATOR TEMPERATURE SENSOR(NTC, 158")	1	48	XX-H00347	FILTER DRIER (D25 X 167-D)	1
16	XRI0033	CABINET PROBE (NTC, 158")	1	49	X15818180013	DRAIN TUBE - INTERIOR	1
17	X12533040010	CASTER SWIVEL 3" W/O BRAKE	2	50	X16369330055	DRAIN TUBE INNER CONNECTOR	1
18	X12533040015	CASTER SWIVEL 3" W/BRAKE	2	51	X16303011224	UPPER/LOWER CABINET FRAME	2
19	XGM001226	REAR GRILL	1*	52	X16410070001	RUBBER LIMITED BLOCK	2
20	X16351170004	WATERPROOF COVER FOR THERMOSTAT	1	53	X16402020047	SEAL STRIP	2
21	X2199001227	FRONT GRILL	1	54	X16303031360	LEFT/RIGHT CABINET FRAME	2
22	X16311010545	SHELF TAG	8	55	X14201711446	DOOR GLASS RIGHT (50.8" X 25.2")	1
23	X5302000003	K CLIP	32	56	X12533090003	LARGE WHEEL FOR DOOR	2
24	XRI0005	K STRIP	8	57	X12533090004	SMALLER WHEEL FOR DOOR	2
25	X12502010134	SHELF (24.25" X 23.6")	8	58	X2199001234	DOOR TRACK	2
26	X16317231310	PLASTIC PANEL (51.57" X 9.25" X .078")	1	59	X16337030002	DOOR HANDLE	2
27	X12901241319	LIGHT BOX (51.9" X 9.5")	1	60	N/A	AIR PIPE COVER PANEL	1*
28	X17740410071	LED LIGHT W/SOCKET 47.25" (12VDC/7.2W)	1	61	XRI0054	POWER CORD, NEMA 5-15P (14 AWG, 8' LONG)	1
29	X17740410075	LED LIGHT 42.25" (12VDC/7.5W)	1	62	N/A	GRILL BRACKET	2*
30	XRI0090	CONDENSER DRAIN PAN (12.5" X 4.3" X 1.6")	1	63	XRI0024	DRAIN TUBE - EXTERIOR	1
31	N/A	LEFT CHANEL FOR CONDENSER PANEL	1*	64	X16369260001	DRAIN PIPE COVER	1
32	N/A	COMPRESSOR UNIT INSTALLATION BOARD	1*	65	X15810020900	PLASTIC DRAIN PIPE	1

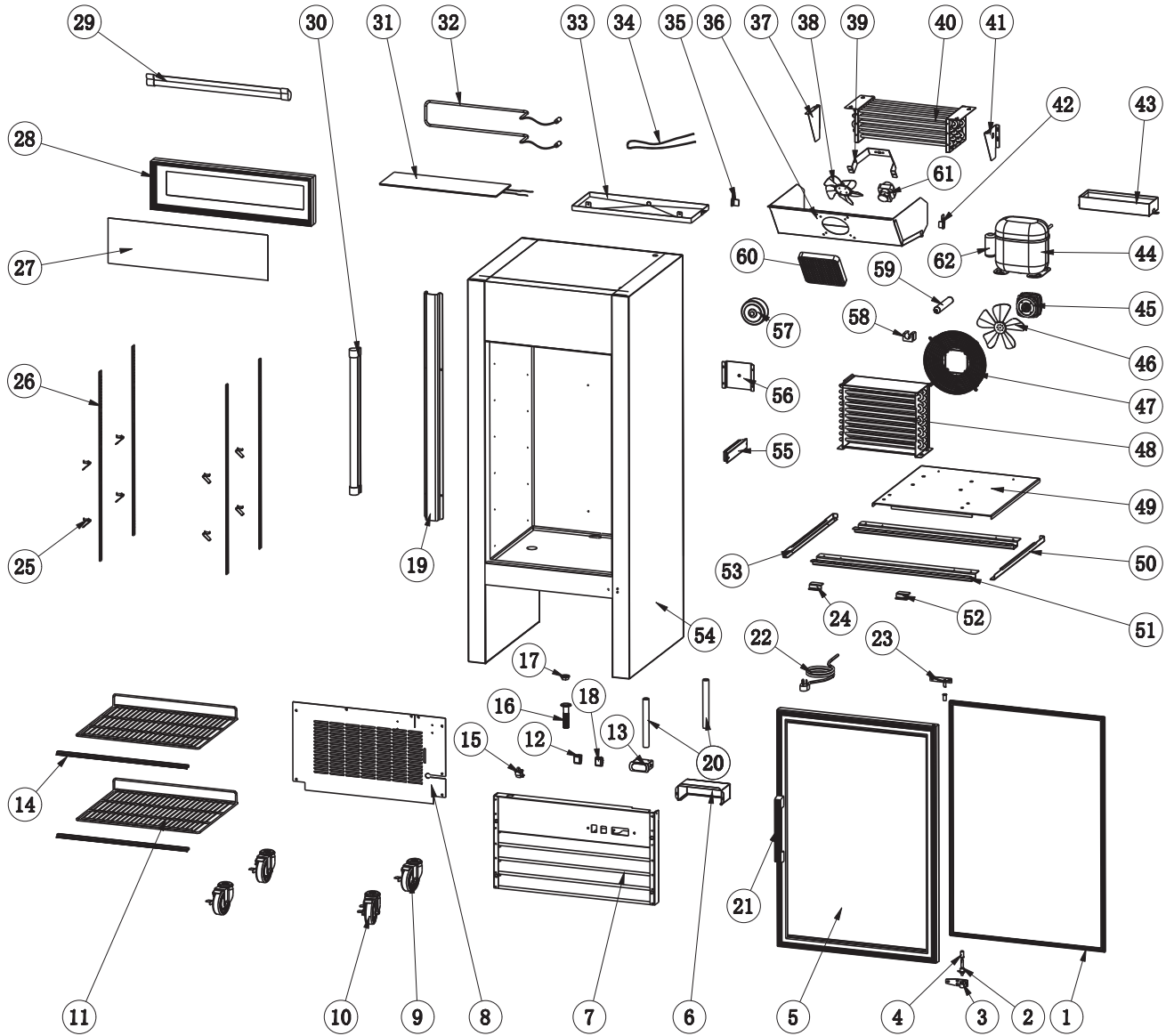
MODEL EGMDR78X



MODEL EGMDR78X

NO.	Part #	Description	QTY	NO.	Part #	Description	QTY
1	X16381738012	EVAPORATOR FAN MOTOR BLADE	4	33	X14201641364	DOOR GLASS LEFT (53.5" X 25.4") - SIVER FINISH *OPTIONAL*	*1*
2	X22752520015	FAN MOTOR	4	33	XGM010288	DOOR GLASS LEFT (53.5" X 25.4") - BLACK FINISH STANDARD	1
3	X12517060308	HINGE BOTTOM RIGHT	3	34	X15810020900	PLASTIC DRAIN PIPE	1
4	X12517210001	HINGE BOTTOM LEFT	1	35	N/A	SUPPORTING CHANEL (NOT SHOWN)	2*
5	X5302000003	K CLIP	48	36	N/A	CASTER MOUNTING CHANEL RIGHT	1*
6	XRI0005	K STRIP	12	37	N/A	CASTER MOUNTING CHANEL LEFT	1*
7	XX-HC0005	COMPRESSOR (NEU6214U/115VAC/60Hz/R290))	1	38	XRI0060	THERMOSTAT CONTROLLER (XR03CX-4N0F1/115VAC)	1
7	XX-STARTKITHC4	START KIT FOR NEU6214U	*		XRI0034	EVAPORATOR TEMPERATURE SENSOR(NTC, 158")	1
8	X16369260001	DRAIN PIPE COVER	1		XRI0033	CABINET PROBE (NTC, 158")	1
9	X12515030004	HINGE BOTTOM AXIS	3	39	N/A	BRACKET FOR INNER LED LIGHT	8*
10	X12502135865	SHELF MIDDLE (25.8" X 23")	4	40	X17740410074	LED LIGHT W/SOCKET 39.4" (12VCD/6W)	2
	X16311010545	SHELF TAG	4	41	X1774918002	LED LIGHT SWITCH	1
11	X2199001239	INNER DRAIN PAN	1	42	X1774040071	LED LIGHT W/SOCKET 47.25" (12VDC/7.2W)	4
12	X17304100262	CONDENSER(4R11K400L)	1	43	XGM231986	LIGHT BOX FRAME (78" X 9.25")	1
13	X22752520022	CONDENSER FAN MOTOR(ECM7120 115VAC, 60HZ, 20W)	1	44	X16317221981	PLASTIC PANEL (77.95" X 9.06" X .078")	1
14	XRI0017	CONDENSER FAN MOTOR BLADE	1	45	X12526260024	GLASS DOOR HANDLE	2
15	XRI010004	FAN MOTOR GUARD/COVER	1	46	N/A	INSTALLATION MOUNTING PANEL	1*
16	XX-SCB316	CASTER SWIVEL 4" W/BRAKE	3	47	X2199001182	WATERPROOF COVER FOR THERMOSTAT	1
17	N/A	CABINET	1	48	XRI0056	POWER SWITCH (RED)	1
18	X12517210002	HINGE UPPER RIGHT	2	49	X2199001246	FRONT GRILL	1
19	XGM125859	SHELF (23.2" X 23.03")	4	50	N/A	CASTER MOUNTING CHANEL	2*
	X16311010545	SHELF TAG	4	51	X17405071050	EVAPORATOR COIL	1
20	XX-SC0317	CASTER SWIVEL 4" W/O BRAKE	3	52	XRI0024	DRAIN TUBE - EXTERIOR	2
21	XGM001240	REAR GRILL	1*	53	XX-H00341	FILTER	1
22	N/A	AIR PIPE COVER PANEL	1	54	N/A	FILTER BRACKET	1*
23	X16353010017	AXIS COVER	6	54	X300012	CAP TUBE .047" I.D. X 118" L	1
24	X16316130007	DRAIN PAN OUTER (19.7" X 6.75" X 3")	1	55	X22753530010	LED POWER SUPPLY	2
25	N/A	CONDENSER PULL OUT HANDLE	2*	56	XGM000019	GASKET GLASS DOOR (52.36" X 24.25")	3
26	N/A	CONDENSER MOUNTING PANEL	1*	57	X17749020001	DOOR SWITCH	3
27	N/A	RIGHT TRACK FOR CONDENSER PANEL	1*	58	X2199001248	EVAPORATOR COVER	1*
28	N/A	LEFT CHANEL FOR CONDENSER PANEL	1*	59	N/A	FAN MOTOR BRACKET	4*
29	N/A	CONDENSER PULL OUT HANDLE	2*	60	N/A	RIGHT END PLATE FOR EVAPORATOR	1*
30	N/A	HANDLE FOR CONDENSING TRAY	1	61	N/A	LEFT BAFFLE FOR EVAP. FAN MOTOR	1*
30	X2199001086	HANDLE FOR INSTALLATION BOARD	1*	62	X12504050002	EVAPORATOR FAN COVER	4
31	X12517210001	HINGE UPPER LEFT	1	63	X14201641363	DOOR GLASS RIGHT (53.5" X 25.4") - SILVER FINISH *OPTIONAL*	*2*
32	XGM125859	SHELF (23.2" X 23.03")	4	63	XGM010289	DOOR GLASS RIGHT (53.5" X 25.4") - BLACK FINISH STANDARD	2
	X16311010545	SHELF TAG	4	*		NON STOCKING PART	

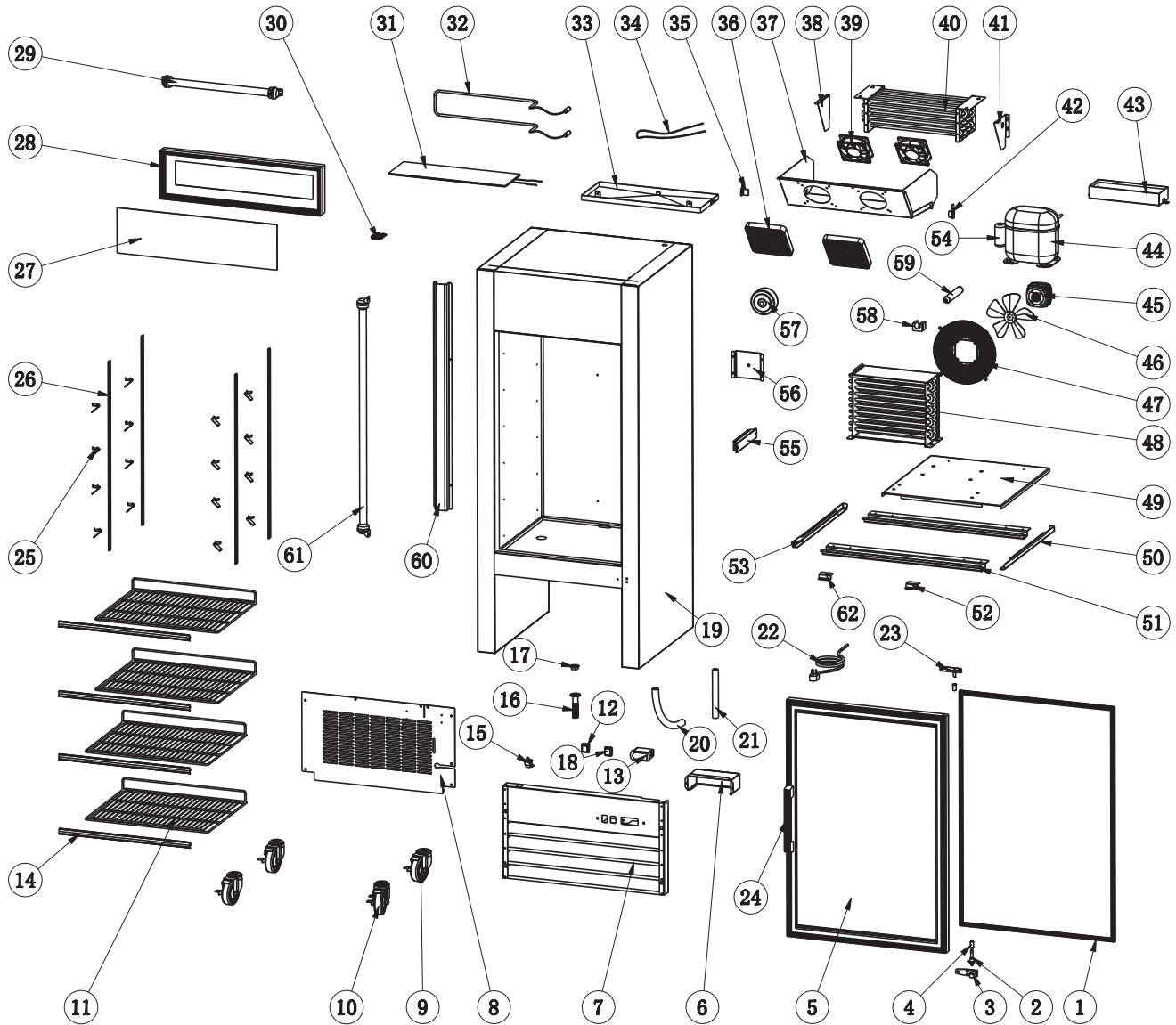
MODEL EGMF26X



MODEL EGMF26X

NO.	Part #	Description	QTY	NO.	Part #	Description	QTY
1	XGM000238	GASKET GLASS DOOR (34.5" X 25.2")	1	33	XGM001253	EVAPORATOR DRAIN PAN	1
2	X12515030004	HINGE BOTTOM AXIS	1	34	XRI0210	DRAIN HOSE HEATER (19" - 10W, 115VAC)	1
3	X12517070041	HINGE, BOTTOM RIGHT	1	35	N/A	LEFT BRACKET FOR EVAPORATOR COVER	1*
4	X16353010017	AXIS COVER	2	36	XGM001254	EVAPORATOR COVER	1*
5	XGDMF00026	DOOR GLASS (38.2" X 26.378")	1	37	N/A	LEFT END PLATE FOR EVAPORATOR	1*
6	X2199001182	WATERPROOF COVER FOR THERMOSTAT	1	38	X16381738012	EVAPORATOR FAN MOTOR BLADE	1
7	X2199001249	FRONT GRILL	1	39	N/A	FAN MOTOR BRACKET	1*
8	XGM001250	REAR GRILL	1*	40	XGM060400	EVAPORATOR COIL	1
9	X12533040010	CASTER SWIVEL 3" W/O BRAKE	2	41	N/A	RIGHT END PLATE FOR EVAPORATOR	1*
10	X12533040015	CASTER SWIVEL 3" W/BRAKE	2	42	N/A	RIGHT BRACKET FOR EVAPORATOR COVER	1*
11	X12502114553	SHELF (20.8" X 17.7")	2	43	X16316130008	DRAIN PAN OUTER (7.6" X 6.75" X 3")	1
12	XRI0056	POWER SWITCH (RED)	1	44	XX-HC0003	COMPRESSOR (EM2X3125U/110VAC/60HZ/R290)	1
13	XRI0059	THERMOSTAT (DIXELL XR06CX)	1	44	SEE #62	START KIT FOR EM2X3125U	+
14	X16311010470	SHELF TAG	2	45	X22752520004	FAN MOTOR	1
15	XRI0300	DOOR SWITCH	1	46	XEFMB023	CONDENSER FAN BLADE	1
16	X15810020900	PLASTIC DRAIN PIPE	1	47	XRI010002	FAN MOTOR GUARD/COVER	1
17	X16369260001	DRAIN PIPE COVER	1	48	X17303080250	CONDENSER COIL	1
18	X17749180002	LED LIGHT SWITCH	1	49	N/A	COMPRESSOR INSTALLATION BOARD	1*
19	N/A	AIR PIPE COVER PANEL	1*	50	N/A	RIGHT TRACK FOR CONDENSER PANEL	1*
20	XRI0024	DRAIN TUBE - EXTERIOR	2	51	N/A	CASTER MOUNTING CHANNEL	2*
21	X12526260024	GLASS DOOR HANDLE	1	52	N/A	CONDENSER PULL OUT HANDLE	2*
22	XRI0054	POWER CORD, NEMA 5-15P (14 AWG, 8' LONG)	1	53	N/A	LEFT TRACK FOR CONDENSER PANEL	1*
23	X12517210002	HINGE UPPER RIGHT	1	54	N/A	CABINET	1
24	N/A	HANDLE FOR CONDENSING TRAY	1	55	X22753530009	LED POWER SUPPLY	1
25	X5302000003	K CLIP	8	56	N/A	INSTALLATION MOUNTING PANEL	1*
26	XGM001252	K STRIP	8*	57	X22753530021	TRANSFORMER GLASS DOOR HEATER	1
27	XGM120675	PLASTIC PANEL (26.57" X 4.72" X .078")	1	58	XX-H00346	FILTER BRACKET	1*
28	XGM120678	LIGHT BOX FRAME (26.7" X 5")	1	59	XX-H00341	FILTER DRIER (F25X160-B)	1
29	XLED410069	LED LIGHT W/SOCKET 23.6" (12VDC/3.2W)	2	59	X240009	CAP TUBE .035" I.D. X 94.5" L	1
30	XGM410072	LED LIGHT W/SOCKET 19.7" (12VDC/3.2W)	1	60	X12504050002	EVAPORATOR FAN COVER	1
31	XRI0250	DRAIN PAN HEATER (18.5" X 7" - 50W)	1	61	X22752520015	FAN MOTOR	1
32	XGM120420	DEFROST HEATER (16.5" X 3" 500W 115VAC)	1	62	XX-STARTKITHC2	START KIT FOR EM2X3125U	+

MODEL EGMF27X

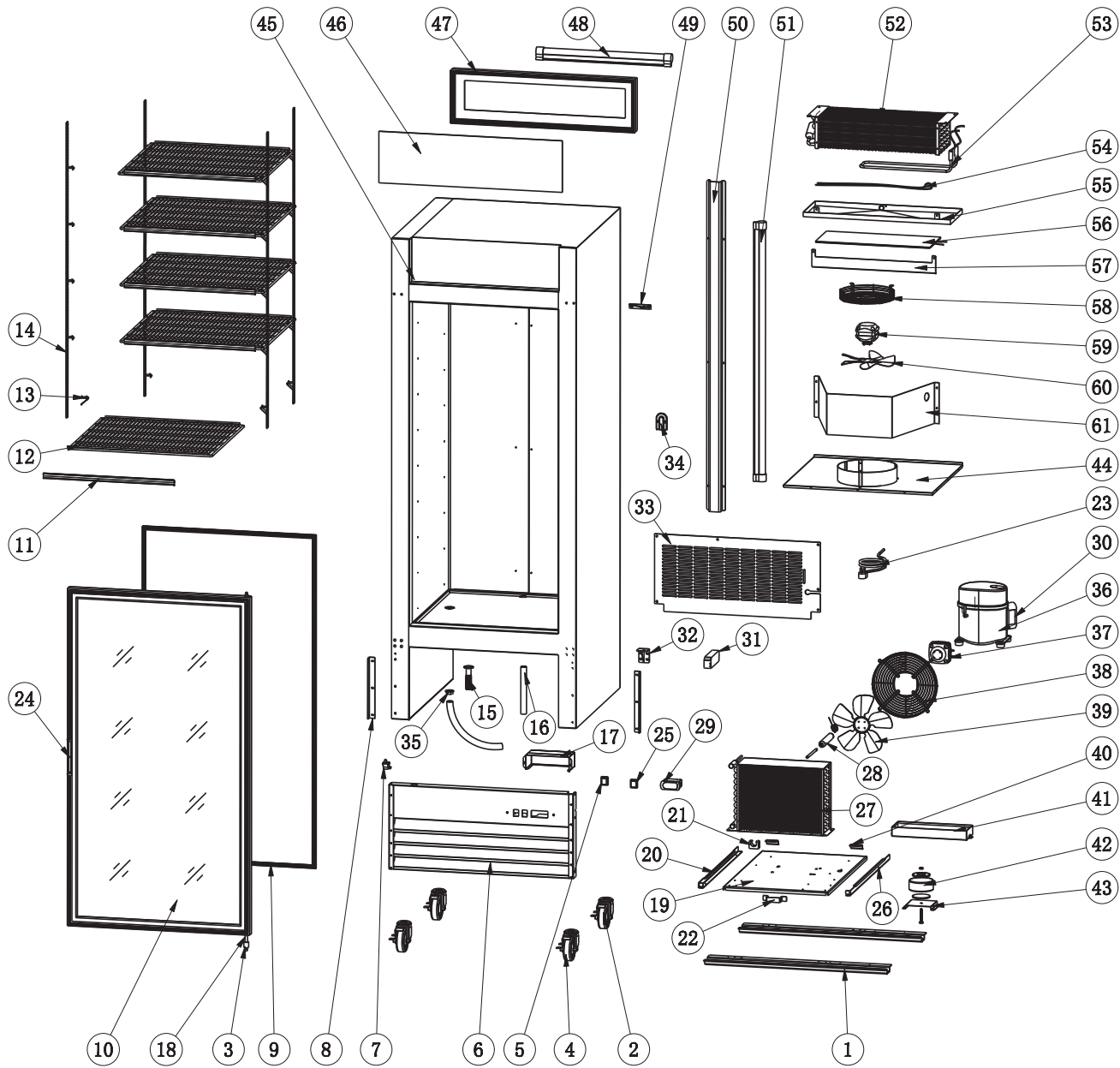


MODEL EGMF27X

NO.	Part #	Description	QTY
1	XGM000369	GASKET GLASS DOOR (52.4" X 25.6")	1
2	X12517070041	HINGE, BOTTOM RIGHT	1
3	X12515030004	HINGE BOTTOM AXIS	1
4	X16353010017	AXIS COVER	2
5	XGDMF00027	DOOR GLASS (35.7" X 26.8") SILVER FINISH *OPTIONAL*	*1*
5	XGM040033	DOOR GLASS (35.7" X 26.8") BLACK FINISH STANDARD	1
6	X2199001182	WATERPROOF COVER FOR THERMOSTAT	1
7	X2199001256	FRONT GRILLE	1
8	XGM001184	REAR GRILL	1*
9	X12533040010	CASTER SWIVEL 3" W/O BRAKE	2
10	X12533040015	CASTER SWIVEL 3" W/BRAKE	2
11	X12502012842	SHELF (20.5" X 17.3")	4
12	XRI0056	POWER SWITCH (RED)	1
13	XRI0059	THERMOSTAT (DIXELL XR06CX)	1
14	X16311010470	SHELF TAG	4
15	XRI0300	DOOR SWITCH	1
16	X15810020900	PLASTIC DRAIN PIPE	1
17	X16369260001	DRAIN PIPE COVER	1
18	X17749180002	LED LIGHT SWITCH	1
19	N/A	CABINET	1
20	XRI0024	DRAIN TUBE - EXTERIOR	1
21	XRI0024	DRAIN TUBE - EXTERIOR	1
22	XRI0054	POWER CORD, NEMA 5-15P (14 AWG, 8'LONG)	1
23	X12517210002	HINGE UPPER RIGHT	1
24	N/A	HANDLE FOR CONDENSING TRAY	1
25	X5302000003	K CLIP	16
26	XRI0005	K STRIP	8
27	XGM230684	PLASTIC PANEL (26.89" X 9.06" X .078")	1
28	XGM230688	LIGHT BOX FRAME (27" X 9.25")	1
29	XGM410033	CABINET LED LIGHT	2
30	N/A	PROBE BRACKET	1*
31	XRI0250	DRAIN PAN HEATER (18.5" X 7" - 50W)	1
32	XRI0021	DEFROST HEATER (15.75" X 1.6" - 360W)	1

NO.	Part #	Description	QTY
33	XGM001187	EVAPORATOR DRAIN PAN	1
34	XRI0210	DRAIN HOSE HEATER (19" - 10W, 115VAC)	1
35	N/A	LEFT BRACKET FOR EVAPORATOR COVER	1*
36	X12504050002	EVAPORATOR FAN COVER	2
37	XGM001189	EVAPORATOR COVER	1
38	N/A	LEFT END PLATE FOR EVAPORATOR	1*
39	X1003001114715	FAN MOTOR	2
40	XGM070375	EVAPORATOR COIL	1
41	N/A	RIGHT END PLATE FOR EVAPORATOR	1*
42	N/A	RIGHT BRACKET FOR EVAPORATOR COVER	1*
43	X16316130008	DRAIN PAN OUTER (7.6" X 6.75" X 3")	1
44	XX-HC0017	COMPRESSOR (NEU2168U/115VAC/60HZ/R290)	1
44	XX-HC0017K	START KIT FOR NEU2168U	+
45	X22752520006	FAN MOTOR	1
46	X16381738052	CONDENSER FAN BLADE	1
47	XRI0122	FAN MOTOR GUARD/COVER	1
48	X17303080202	CONDENSER COIL	1
49	N/A	COMPRESSOR INSTALLTION BOARD	1*
50	N/A	RIGHT TRACK FOR CONDENSER PANEL	1*
51	N/A	CASTTER SUPPORT CHANEL	2*
52	N/A	CONDENSER PULL OUT HANDLE	2*
53	N/A	LEFT TRACK FOR CONDENSER PANEL	1*
54	SEE #44	START KIT	+
55	X22753530009	LED POWER SUPPLY	1
56	N/A	INSTALLATION MOUNTING PANEL	1*
57	X22753530021	TRANSFORMER GLASS DOOR HEATER	1
58	XX-H00346	FILTER BRACKET	1*
59	XX-H00341	FILTER DRIER (F25X160-B)	1
59	X240012	CAP TUBE .047" I.D. X 134" L	1
60	N/A	AIR PIPE COVER PANEL	1
61	SLED410038	LED LIGHT (47.25")	1
62	X12526260024	GLASS DOOR HANDLE	1
*		NON STOCKING PART	*

MODEL EGMF31X



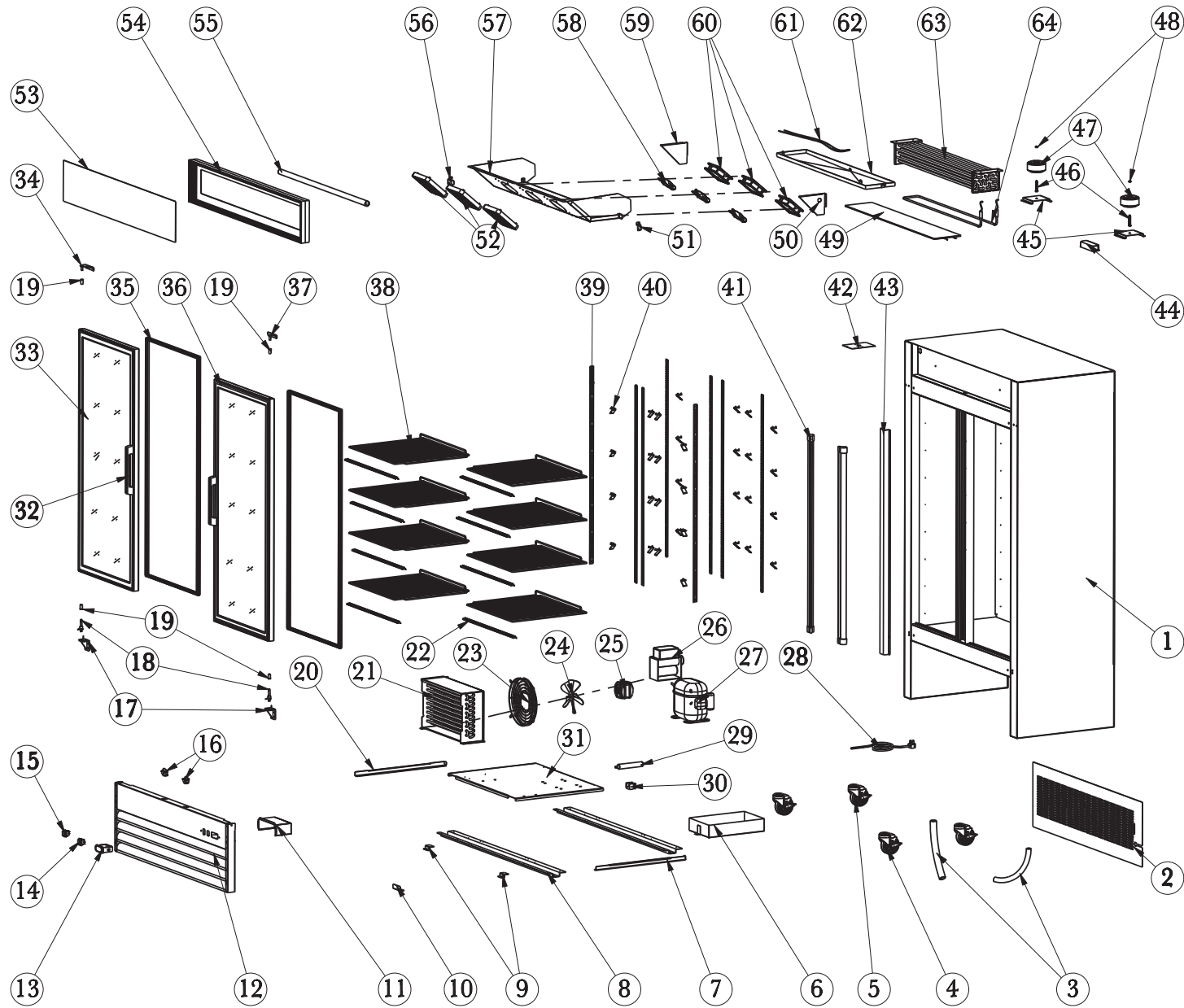
MODEL EGMF31X

NO.	Part #	Description	QTY
1	N/A	CASTTER SUPPORT CHANEL	2*
2	X12533040010	CASTER SWIVEL 3" W/O BRAKE	2
3	X12515030004	HINGE BOTTOM AXIS	1
4	X12533040015	CASTER SWIVEL 3" W/BRAKE	2
5	X17749180002	LED LIGHT SWITCH	1
6	X2199001259	FRONT GRILLE	1
7	XRI0300	DOOR SWITCH	1
8	N/A	MOUNTING BRACKET FOR FRONT GRILLE	2*
9	X16401781440	GASKET GLASS DOOR (55.5" X 29.52")	1
10	XGDMF00031	DOOR GLASS (56.7" X 30.7") SILVER FINISH *OPTIONAL*	*1*
10	XGM040041	DOOR GLASS (56.7" X 30.7") BLACK FINISH STANDARD	1
11	X16311010580	SHELF TAG	5
12	X12502115961	SHELF (24.3" X 23.2")	5
13	X5302000003	K CLIP	20
14	XRI0005	K STRIP	4
15	XRI0024	DRAIN TUBE - EXTERIOR	1
16	XRI0024	DRAIN TUBE - EXTERIOR	2
17	X2199001182	WATERPROOF COVER FOR THERMOSTAT	1
18	X16353010017	AXIS COVER	2
19	N/A	COMPRESSOR INSTALLATION BOARD	1*
20	N/A	LEFT TRACK FOR CONDENSER PANEL	1*
21	XX-H00346	FILTER BRACKET	1*
22	N/A	HANDLE FOR CONDENSING TRAY	1
23	XRI0054	POWER CORD, NEMA 5-15P (14 AWG, 8"LONG)	1
24	X12526260024	GLASS DOOR HANDER	1
25	XRI0056	POWER SWITCH (RED)	1
26	N/A	RIGHT TRACK FOR CONDENSER PANEL	1*
27	XGM110350	CONDENSER COIL	1
28	XX-H00341	FILTER DRIER (F25X160-B)	1
28	X280012	CAP TUBE .047" I.D. X 110.25" L	1
29	XRI0059	THERMOSTAT (DIXELL XR06CX)	1
*		NON STOCKING PART	

NO.	Part #	Description	QTY
30	XX-HC0017K	START KIT FOR NEU2168U	1
31	X22753530009	LED POWER SUPPLY	1
32	X12517070041	HINGE, BOTTOM RIGHT	1
33	XGM001206	REAR GRILL	1*
34	N/A	PROBE BRACKET	1*
35	X16369260001	DRAIN PIPE COVER	1
36	XX-HC0017	COMPRESSOR (NEU2168U/115VAC/60HX/R290)	1
37	X22752520022	CONDENSER FAN MOTOR(ECM7120 115VAC, 60HZ, 20W)	1
38	XRI010004	FAN MOTOR GUARD/COVER	1
39	XRI0017	CONDENSER FAN MOTOR BLADE	1
40	N/A	CONDENSER PULL OUT HANDLE	2*
41	XRI0090	CONDENSER DRAIN PAN (12.5" X 4.3" X 1.6")	1
42	X22753530021	TRANSFORMER GLASS DOOR	1
43	N/A	INSTALLATION MOUNTING PANEL	1*
44	N/A	EVAPORATOR COVER	1*
45	N/A	CABINET	1
46	XGM220782	PLASTIC PANEL (30.83" X 8.66" X .078")	1
47	XGM220788	LIGHT BOX FRAME	1
48	X17740410073	LED LIGHT W/SOCKET 23.6" (12VDC/3.2W)	1
49	X12517210002	HINGE UPPER RIGHT	1
50	N/A	AIR PIPE COVER PANEL	1*
51	X17740410071	LED LIGHT W/SOCKET 47.25" (12VDC/7.2W)	1
52	XGM060500	EVAPORATOR COIL	1
53	XGM230038	DEFROST HEATER (21" X 2" 500W 115VAC)	1
54	XRI0210	DRAIN HOSE HEATER (19" - 10W, 115VAC)	1
55	XGM001263	EVAPORATOR DRAIN PAN	1
56	XRI0251	DRAIN PAN HEATER (23.6" X 7.9" - 35W)	1
57	N/A	EVAPORATOR BAFFLE	1*
58	X12504050002	EVAPORATOR FAN COVER	1
59	X22752520007	FAN MOTOR	1
60	X16381738122	CONDENSER FAN BLADE	1
61	N/A	FAN MOTOR AIR BAFFLE	1*

*XGM010360 - Glass Door (Left Swing) Black finish

MODEL EGMF53X



MODEL EGMF53X

NO.	Part #	Description	QTY
1	N/A	CABINET	1
2	XGM001226	REAR GRILL	1*
3	XRI0024	DRAIN TUBE - EXTERIOR	2
4	X12533040010	CASTER SWIVEL 3" W/O BRAKE	2
5	X12533040015	CASTER SWIVEL 3" W/BRAKE	2
6	X16316130007	DRAIN PAN OUTER (19.7" X 6.75" X 3")	1
7	N/A	RIGHT TRACK FOR CONDENSER PANEL	1*
8	N/A	CASTER MOUNTING CHANEL	2*
9	N/A	CONDENSER PULL OUT HANDLE	1*
10	N/A	HANDLE FOR CONDENSING TRAY	4
11	X16351170004	WATERPROOF COVER FOR THERMOSTAT	2
12	X2199001271	FRONT GRILLE	1
13	XRI0059	THERMOSTAT (DIXELL XR06CX)	1
14	X17749180002	LED LIGHT SWITCH	1
15	XRI0056	POWER SWITCH (RED)	1
16	XRI0300	DOOR SWITCH	2
17	XGM070041	HINGE BOTTOM RIGHT	2
17	XGM070040	HINGE BOTTOM LEFT	
18	X12515030004	HINGE BOTTOM AXIS	2
19	X16353010017	AXIS COVER	4
20	N/A	LEFT CHANEL FOR CONDENSER PANEL	1*
21	XSBC07036	CONDENSER COIL	1
22	X16311010470	SHELF TAG	8
23	XRI0122	FAN MOTOR GUARD/COVER	1
24	X16381738122	CONDENSER FAN BLADE	1
25	X22752520022	CONDENSER FAN MOTOR(ECM7120 115VAC, 60HZ, 20W)	1
26	XX-STARTKITHC3	START KIT FOR NT2180UV	1
27	XX-HC0006	COMPRESSOR (NT2180UV/115V/60HZ/R290)	1
28	XRI0051	POWER CORD, NEMA 5-20P (12AWG 8'L)	1
29	XX-H00341	FILTER DRIER (F25X160-B)	1
30	XX-H00346	FILTER BRACKET	1*
30	X350014	CAP TUBE .055" I.D. X 138" L	1
31	N/A	COMPRESSOR INSTALLATION BOARD	1*
32	X12526260024	GLASS DOOR HANDLE	2
*		NON STOCKING PART	

NO.	Part #	Description	QTY
33	XGDMF00053L	DOOR GLASS LEFT (53.54" X 25.9") SILVER FINISH *OPTIONAL*	*1*
33	XGM040035	DOOR GLASS LEFT (53.54" X 25.9") BLACK FINISH STANDARD	1
34	X12517210001	HINGE UPPER LEFT	1
35	XGM000021	GASKET GLASS DOOR (52.4" X 24.7")	2
36	XGDMF00053R	DOOR GLASS RIGHT (53.54" X 25.9") SILVER FINISH *OPTIONAL*	*1*
36	XGM040034	DOOR GLASS RIGHT (53.54" X 25.9") BLACK FINISH STANDARD	1
37	X12517210002	HINGE UPPER RIGHT	1
38	X12502012858	SHELF (23.25" X 24.4")	8
39	XRI0005	K STRIP	8
40	X5302000003	K CLIP	32
41	X17740410071	LED LIGHT W/SOCKET 47.25" (12VDC/7.2W)	2
42	N/A	POWER CORD COVER	1*
43	N/A	AIR PIPE COVER PANEL	1*
44	X22753530010	LED POWER SUPPLY	1
45	N/A	INSTALLATION MOUNTING PANEL	2*
46	N/A	BOLT	2*
47	X22753530021	TRANSFORMER GLASS DOOR	2
48	N/A	NUT	2*
49	XRI0252	DRAIN PAN HEATER (39.4" X 7" - 75W)	1
50	N/A	RIGHT END PLATE FOR EVAPORATOR	1*
51	N/A	RIGHT BRACKET FOR EVAPORATOR COVER	1*
52	X12504050002	EVAPORATOR FAN COVER	3
53	X16317201343	PLASTIC PANEL (52.87" X 7.99" X .078")	1
54	XGM201348	LIGHT BOX FRAME (53" X 8.2")	1
55	X17740410075	LED LIGHT 42.25" (12VDC/7.5W)	1
56	N/A	LEFT BRACKET FOR EVAPORATOR COVER	1*
57	XGM001273	EVAPORATOR COVER	1*
58	X16381738012	EVAPORATOR FAN MOTOR BLADE	3
59	N/A	LEFT END PLATE FOR EVAPORATOR	1*
60	X22752520015	FAN MOTOR	3
61	XRI0210	DRAIN HOSE HEATER (19" - 10W, 115VAC)	1
62	XGM001274	EVAPORATOR DRAIN PAN	1
63	XGM070844	EVAPORATOR COIL	1
64	XGM120881	DEFROST HEATER (34.7" X 3" 800W 115VAC)	1
*		NON STOCKING PART	



**MERCHANDISERS
REFRIGERATORS & FREEZER
PARTS LISTS**



**PHONE: 704-900-2068
Website: www.entree.biz**

Revision # 20210907