

Wine Coolers



EXW-55



EXW-85



EXW-105

Model	Size
EXW-55	1.8 Cu-Ft
EXW-85	2.5 Cu-Ft
EXW-105	3.3 Cu-Ft

STANDARD FEATURES

- Uses R600a Refrigerant, which is eco-friendly and more efficient
- Refrigeration System maintains temperature between 43°F and 57°F
- Interior BLUE LED lighting for better viewing of your offerings
- Mechanical temperature control to adjust to the correct temperature of your needs
- Swing Glass Door, reversible to fit your space
- Shelves are adjustable PVC coated
- Exterior: Black Coated Steel and the interior is HIPS material, black
- Four (4) leveling feet included
- Warranty: 1 year parts and labor

WINE COOLER

Items	Description
External top/side	Black coated steel
Door	Plastic door rim
External back	Black coated steel
Cabinet internal	HIPS Material, black
Internal floor	HIPS Material, black
Insulation	1.1" foam
Lighting	L.E.D.

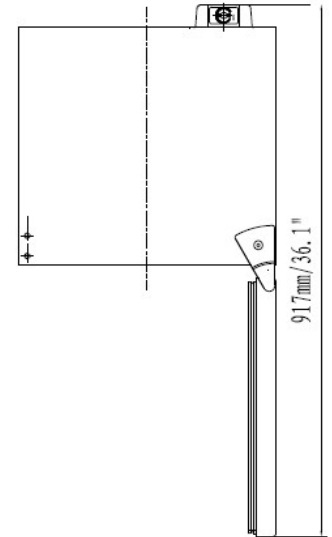
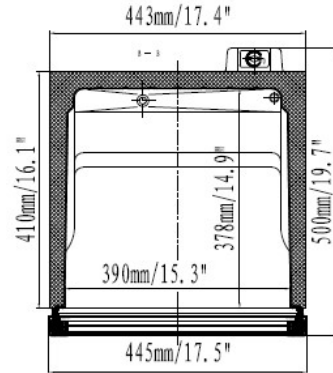
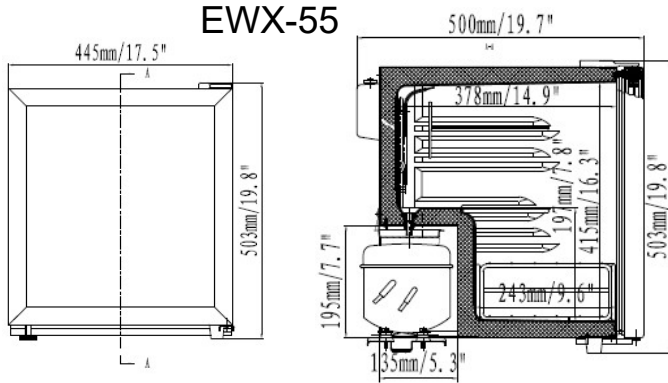
Items	Description
Temperature control	Mechanical temperature control
Comply to standard	UL/CSA Std #60035-2-24
Refrigerating system	Capillary tube
Refrigerant	R600a
Temperature	43°F to 57°F
Evaporator/Condenser	Aluminum + Copper
Condensing unit	Rear bottom mount
Doors	Hinged



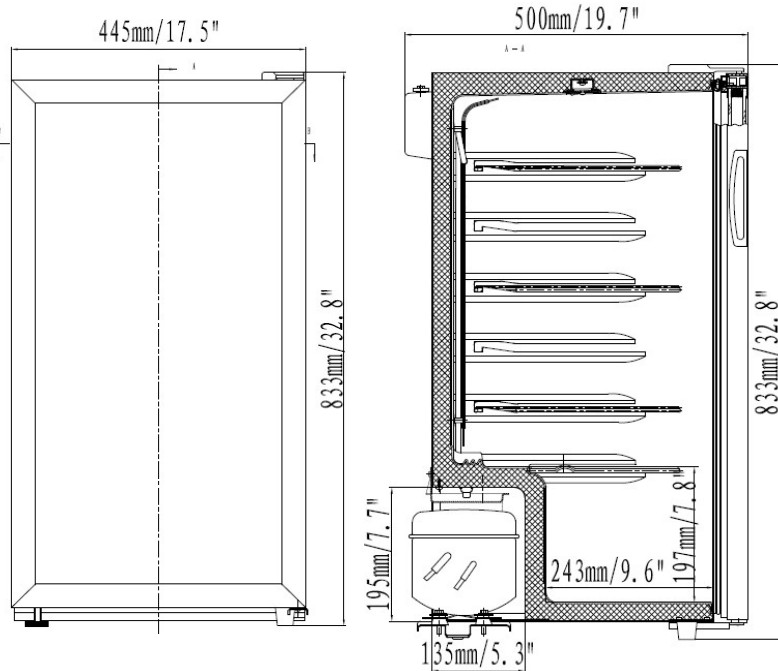
DETAILS AND DIMENSIONS

Schematic Drawing

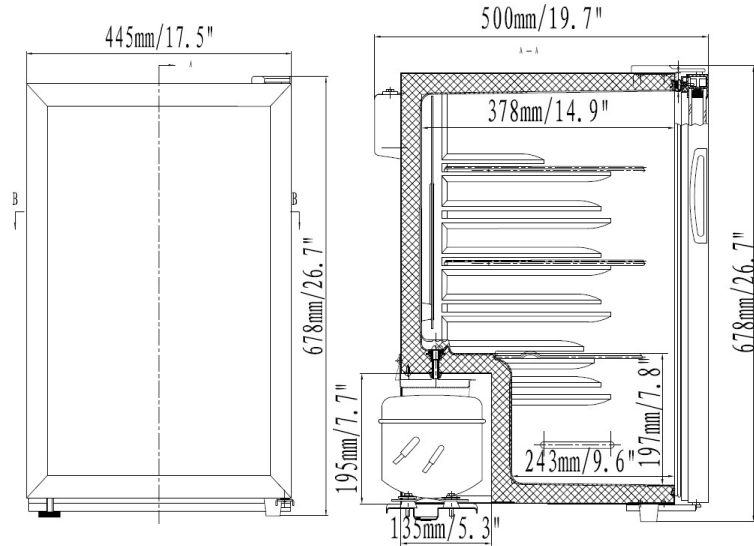
Top view



EWX-105



EWX-85



Model	# of Shelves	Bottles Quantity	Cabinet Dim (in)			HP	Voltage /Hz /ph	Amp	NEMA Plug	Cord Lgth (ft)	Net/ Crated Weight (lbs)
			W	D	H						
EXW-55	2	17	17.5	19.7	19.8	1/10	115/60/1	1.5	5-15P	6.0	41/44
EXW-85	3	25	17.5	19.7	26.7	1/10	115/60/1	1.5	5-15P	6.0	52/57
EXW-105	4	32	17.5	19.7	32.8	1/10	115/60/1	1.5	5-15P	6.0	62/68