

Solid Hinged Lid Chest Freezers



New and Improved Interior Feature
As of April 2026 all models with have painted metal interior!



| Model | Size | Refrigerant |
|-------|----------|-------------|
| CF-30 | 30 Cu-Ft | R290 |

STANDARD FEATURES

- CFC free refrigerant and 2.95" foam insulation
- Thermometer supplied
- Control - Mechanical
- Operating temperature -8°F to 14°F
- Drainage is in front, easy to collect water
- Fast freeze time
- Extra strong handle
- L.E.D. Lights on Door Optional
- Door Locks
- Low noise level
- Internal coved corners, easy to clean
- Equipped with 6 rollers with brakes
- 2 Baskets Supplied, additional baskets available as option.
- Coated wire basket included
- Balance able hinges on the door, stop from 45° to 75° angle
- Power cord supplied, 6 foot length, NEMA5-15P
- Warranty: 1 year parts and labor



CONFORMS TO UL STD.NO.60335-2-89

CERTIFIED TO CSA STD. C22.2 NO.60335-2-89

Intertek
3 1 3 3 2 4 9

Intertek
3 1 3 3 2 4 9

CONFORMS TO NSF STD.7

*Not suitable for installation in a non-commercial or residential applications.

| Items | Description |
|-------------------|--------------------------|
| External top/side | White Precoated Steel |
| Door | White Precoated Steel |
| External back | White Precoated Steel |
| Cabinet internal | Painted Metal |
| Internal floor | Painted Metal |
| Insulation | 2.95" foam |
| Lighting | L.E.D. Lighting Optional |
| | |

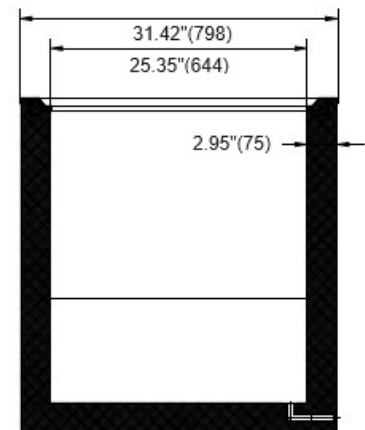
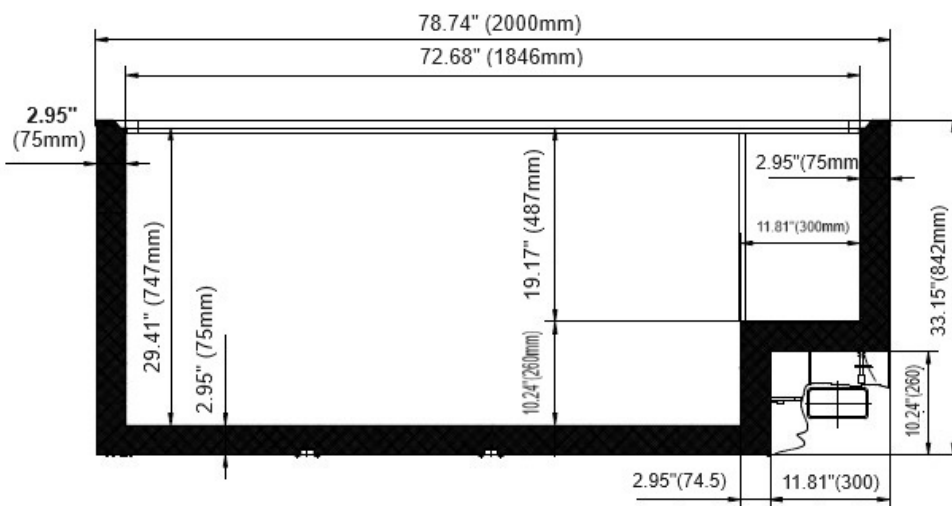
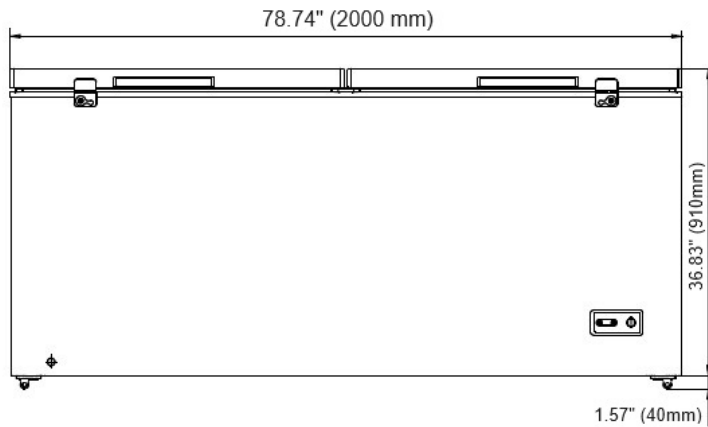
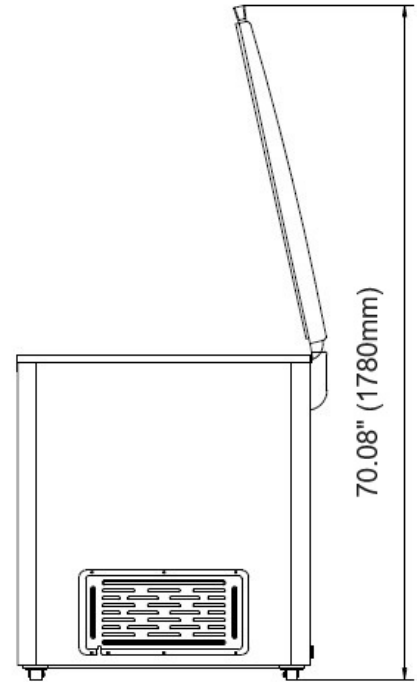
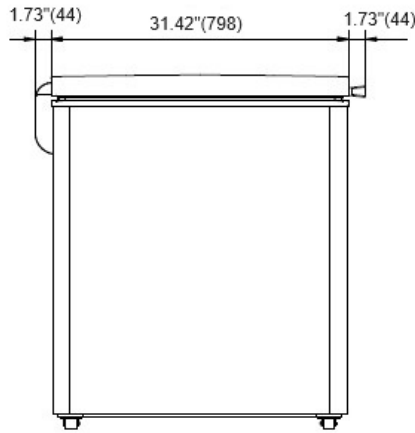
| Items | Description |
|----------------------|----------------------------------|
| Temperature control | Mechanical 1 to 7 is the coldest |
| Comply to standard | ANSI / NSF-7 |
| Refrigerating system | Capillary tube |
| Refrigerant | R290 |
| Temperature | -11°F to 40°F |
| Evaporator/Condenser | Aluminum + Copper |
| Condensing unit | Side mount |
| Doors | Hinged with door lock |

FREEZERS



DETAILS AND DIMENSIONS

CF-30



| Model | # of Doors | # of Baskets | Appx Storage CAP (Cu-ft) | Cabinet Dim (in) | | | HP | Voltage /Hz /ph | Amp | NEMA Plug | Cord Lgth (ft) | Uncrated / Crated Weight |
|-------|------------|--------------|--------------------------|------------------|------|------|-----|-----------------|-----|-----------|----------------|--------------------------|
| | | | | W | D | H | | | | | | |
| CF-24 | 2 | 2 | 30 | 78.7 | 33.3 | 37.4 | 4/5 | 115/60/1 | 4.6 | 5-20P | 6.0 | 190/222 |