



PARTS LIST FOR ECIMX UNDER COUNTER ICE MACHINES:

FULL CUBE MODELS:

ECIM160X | ECIM210X | ECIM280X

HALF CUBE MODLES:

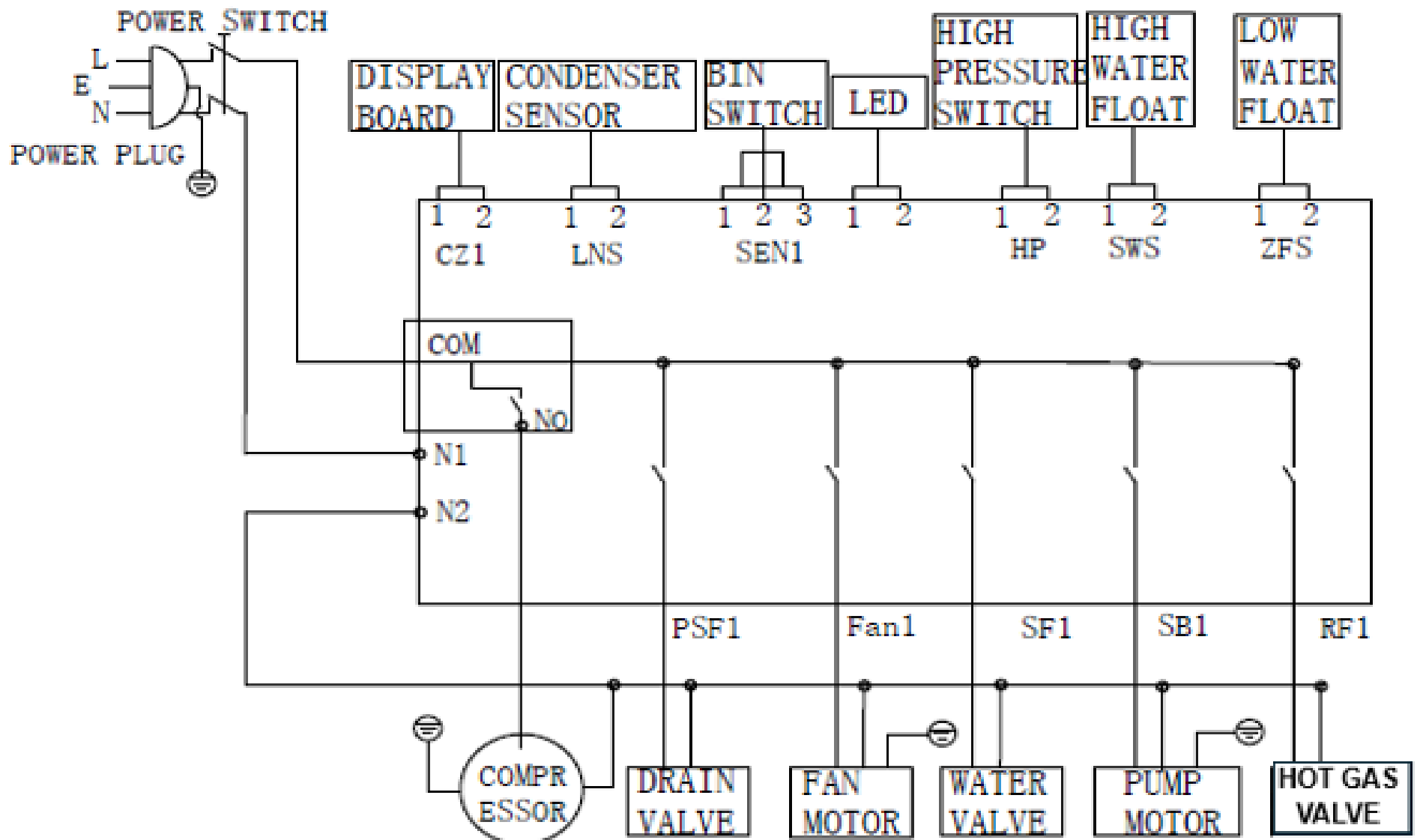
ECIM160X-5 | ECIM210X-5 | ECIM280X-5



Parts & Support | (704) 900-2068

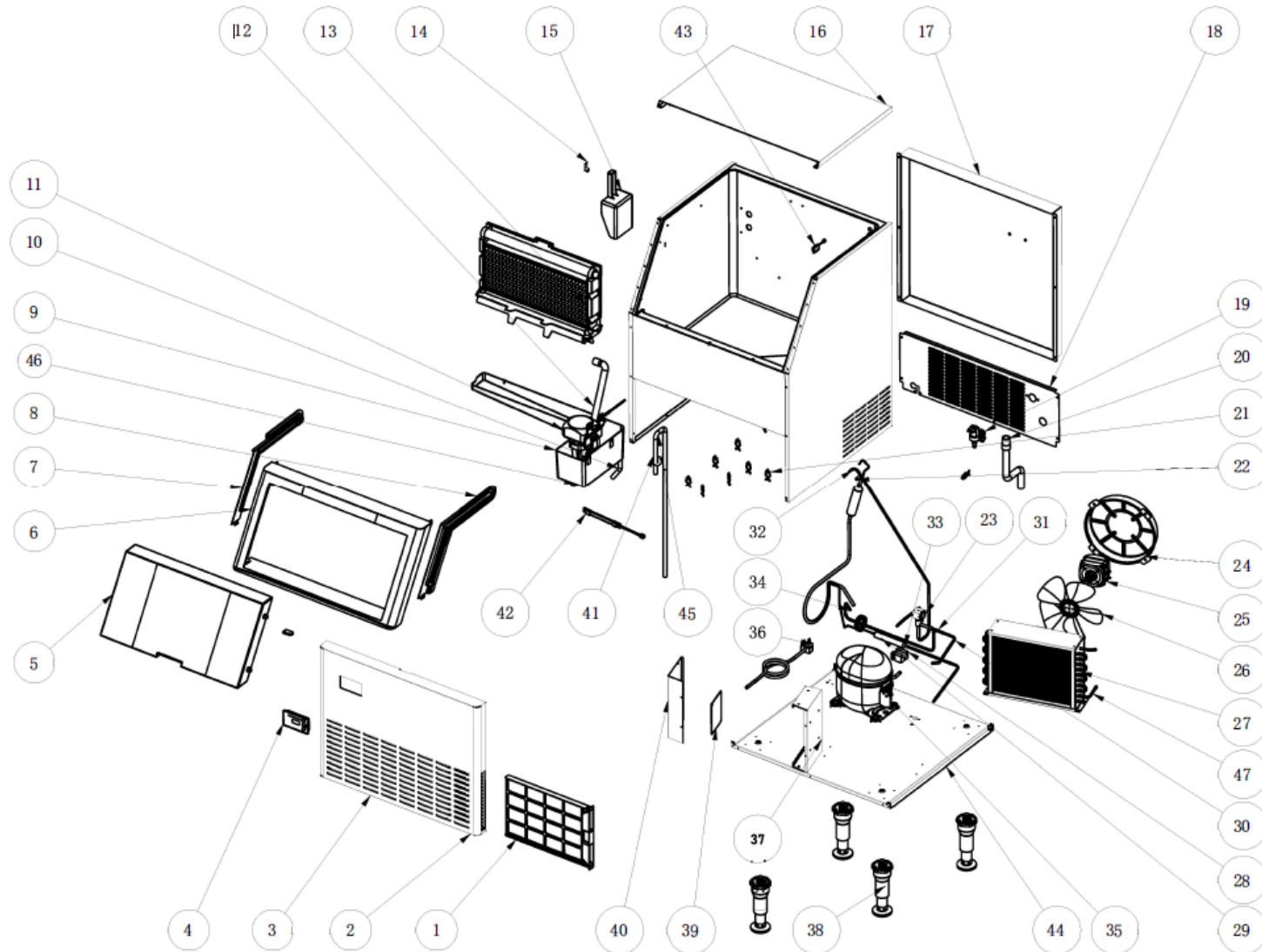
Revision: March 2026

ECIMX UNDERCOUNTER CIRCUIT DIAGRAM AND SPECS



ECIMX SPECS							
MODEL #	REF.	CHARGE	COMPRESSOR	CAP. I.D.	CAP. L	AMPS	WATTS
ECIM160X	R290	3.53 oz	NUG70NR	.055"	86.61"	4.6A	365W
ECIM210X	R290	3.70 oz	NUG80NR	.055"	86.61"	4.6A	435W
ECIM280X	R290	3.88 oz	NPY12RR	.039"	71"	7.1A	710W

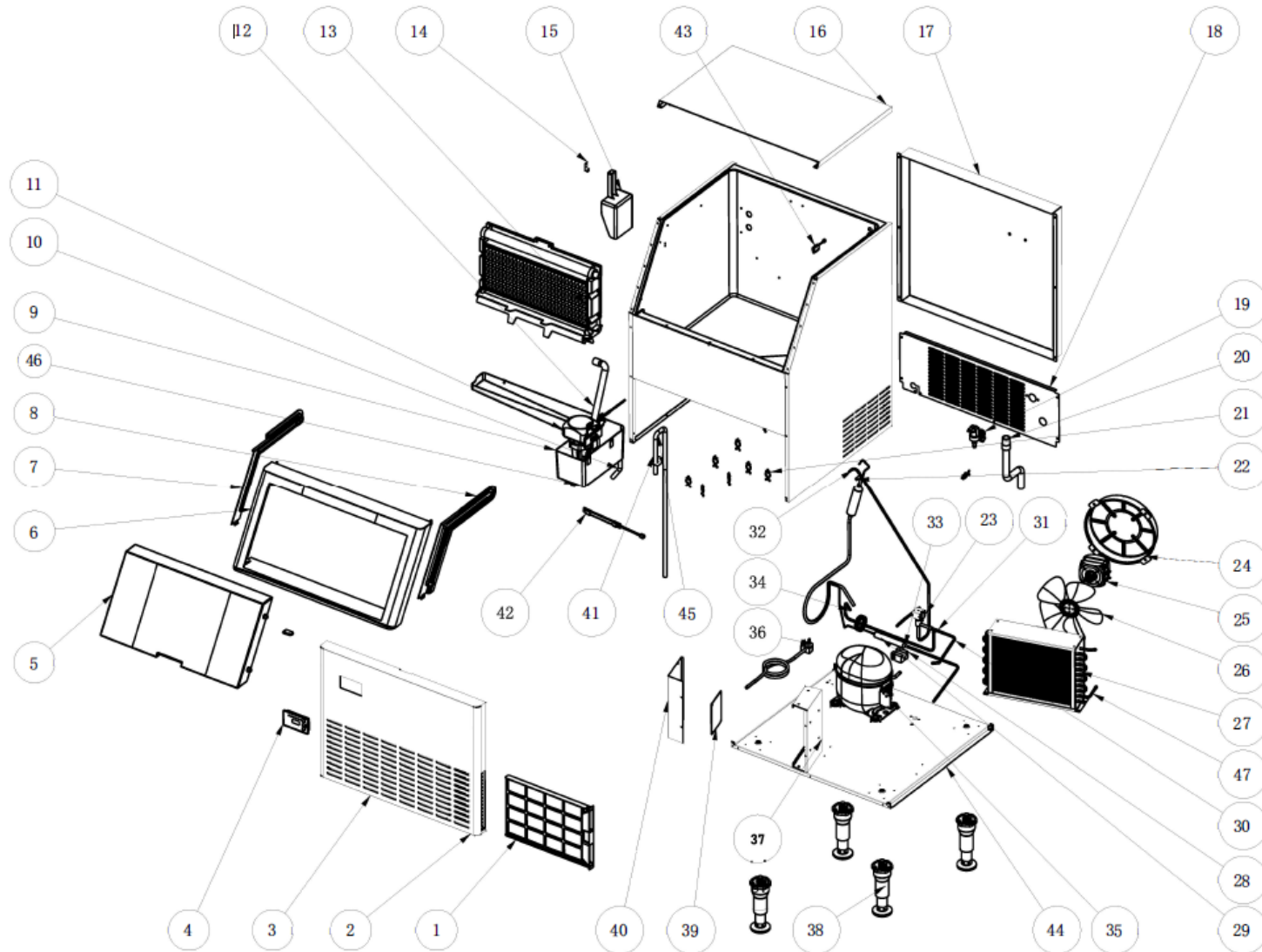
ECIM160X | ECIM160X-5



PARTS LIST FOR ECIM160X | ECIM160X-5

No.	Part #	Description	QTY	No.	Part #	Description	QTY
1	XICM201388	AIR FILTER, BLACK (13.84" X 9.61")	1	25	XICM100485	FAN MOTOR (ECM5312ABAFFH, 24W, 115VAC, 1550RPM)	1
2	XICM903876	AIR FILTER BRACKET	1	26	XRI0015	FAN BLADE (V230)	1
3	XICM903875	GRILL, FRONT (30" X 24.33")	1	27	XICM200506	CONDENSER COIL (3R10K310L)	1
4	XICM200207	DIGITAL DISPLAY	1	28	NON STOCKING	FILTER DRIER HOLDER (NON STOCKING)	1
5	XICM801467	DOOR, BIN (23.27" X 12.81")	1	29	XICM500037	FILTER DRIER (IM-281AA-H) (1/4" I.D.)	1
6	XICM801466	DOOR FRAME (NON STOCKING)	1	30	NON STOCKING	DISCHARGE PIPE, COMPRESSOR (1/4" I.D. X 12.60" L)	1
7	XICM801468	DOOR, GUIDE RAIL, LEFT	1	31	NON STOCKING	TEE (COPPER) (1/4" I.D.)	1
8	XICM801469	DOOR, GUIDE RAIL, RIGHT	1	32	NON STOCKING	HOT GAS (HARVEST) PIPE (1/4" I.D. X 30.51" L)	1
9	XICM600276	WATER TROUGH (SUMP)	1	33	NON STOCKING	LIQUID LINE PIPE (1/4" I.D. X 18.90")	1
10	XICM800221	DRAIN PIPE, SUMP (CUT TO FIT) (NON STOCKING)	1	34	NON STOCKING	DISCHARGE PIPE, CONDENSER (1/4" I.D. X 25.43" L)	1
11	XICM200009	WATER PUMP MOTOR (PSB-2, 120V, 5.4 GPM)	1	35	XICM100930	COMPRESSOR W/START KIT (NUG70NR/R290/115V)	1
12	XICM700375	DISCHARGE TUBE, WATER PUMP	1	35	XICM100930K	START KIT FOR COMPRESSOR NUG70NR	1
13	XICM301169	EVAPORATOR PLATE, HALF CUBE (ECIM160X-5)	1	35	X220014	CAP TUBE (.055" I.D. X 86.61" L)	1
13	XICM301170	EVAPORATOR PLATE, FULL CUBE (ECM160X)	1	36	XICM200417	POWER CORD (14AWG, NEMA 5-15P) 8'	1
14	XICM903878	ICE SCOOP HOLDER	1	37	XICM002486	CONTROL BOARD BRACKET (NON STOCKING)	1
15	XICM100231	ICE SCOOP, WHITE	1	38	XICM600334	ADJUSTABLE FEET (M20 MOUNTING BOLT)	4
16	XICM800448	PANEL, TOP EXTERIOR (NON STOCKING)	1	39	XICM100235	CONTROL BOARD (AC 90-245V)	1
17	XICM903880	PANEL, REAR EXTERIOR (NON STOCKING)	1	40	XICM903916	CONTROL BOARD COVER (NON STOCKING)	1
18	XICM903879	GRILL, REAR (25.91" X 9.13")	1	41	XICM903877	FILL TUBE BRACKET, WATER INLET (NON STOCKING)	1
19	XICM100225	WATER SOLENOID VALVE (120V, 4W, 0.66 GPM)	1	42	XICM100476	LED LIGHT, BLUE (12VDC, 0.6W) (0.67" X 5.98")	1
20	XICM700385	DRAIN PIPE ASSEMBLY (NON STOCKING)	1	43	XICM200003	SWITCH, REED (BIN FULL)	1
21	NON STOCKING	WIRE HARNESS CLIPS (NON STOCKING)	10	44	NON STOCKING	COMPRESSOR MOUNTING PANEL (NON STOCKING)	1
22	XICM500348	SUCTION PIPE ASSY. (INCL. ACCUMULATOR AND CAP TUBE) (NON STOCKING)	1	45	XICM800221	FILL TUBE, WATER INLET	1
23	XICM100249	HARVEST SOLENOID VALVE (FDF4L-001, 120V, 5W, 125PSI, NC) (FDFX02-0751, COIL)	1	46	XICM000268	DRAIN PLUG (3/4")	1
24	XRI0122-1	CONDENSER, FAN GUARD (11")	1				

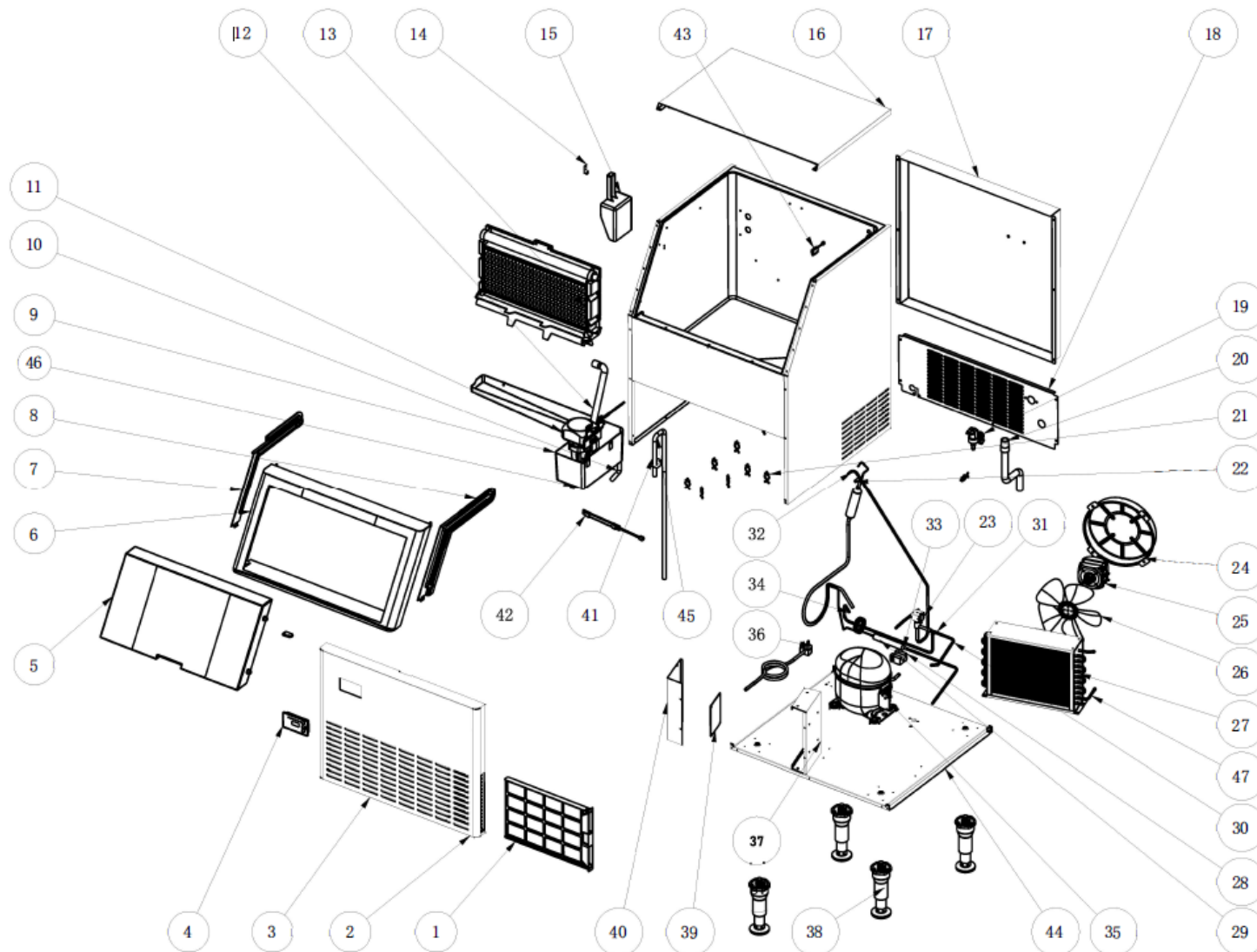
ECIM210X | ECIM210X-5



PARTS LIST FOR ECIM210X | ECIM210X-5

No.	Part #	Description	QTY	No.	Part #	Description	QTY
1	XICM201388	AIR FILTER, BLACK (13.84" X 9.61")	1	25	XICM100485	FAN MOTOR (ECM5312ABAFFH, 24W, 115VAC, 1550RPM)	1
2	XICM903876	AIR FILTER BRACKET	1	26	XRI0015	FAN BLADE (V230)	1
3	XICM903875	GRILL, FRONT (30" X 24.33")	1	27	XICM200506	CONDENSER COIL (3R10K310L)	1
4	XICM200207	DIGITAL DISPLAY	1	28	NON STOCKING	FILTER DRIER HOLDER (NON STOCKING)	1
5	XICM801467	DOOR, BIN (23.27" X 12.81")	1	29	XICM500037	FILTER DRIER (IM-281AA-H) (1/4" I.D.)	1
6	XICM801466	DOOR FRAME (NON STOCKING)	1	30	NON STOCKING	DISCHARGE PIPE, COMPRESSOR (1/4" I.D. X 12.60" L)	1
7	XICM801468	DOOR, GUIDE RAIL, LEFT	1	31	NON STOCKING	TEE (COPPER) (1/4" I.D.)	1
8	XICM801469	DOOR, GUIDE RAIL, RIGHT	1	32	NON STOCKING	HOT GAS (HARVEST) PIPE (1/4" I.D. X 30.51" L)	1
9	XICM600276	WATER TROUGH (SUMP)	1	33	NON STOCKING	LIQUID LINE PIPE (1/4" I.D. X 18.90")	1
10	XICM800221	DRAIN PIPE, SUMP (CUT TO FIT) (NON STOCKING)	1	34	NON STOCKING	DISCHARGE PIPE, CONDENSER (1/4" I.D. X 25.43" L)	1
11	XICM200009	WATER PUMP MOTOR (PSB-2, 120V, 5.4 GPM)	1	35	XICM100933	COMPRESSOR W/START KIT (NUG80NR/R290/115V)	1
12	XICM700375	DISCHARGE TUBE, WATER PUMP	1	35	XICM100933K	START KIT FOR COMPRESSOR NUG80NR	1
13	XICM301171	EVAPORATOR PLATE, HALF CUBE (ECIM210X-5)	1	35	X220014	CAP TUBE (.055" I.D. X 86.61"L)	1
13	XICM301172	EVAPORATOR PLATE, FULL CUBE (ECM210X)	1	36	XICM200417	POWER CORD (14AWG, NEMA 5-15P) 8'	1
14	XICM903878	ICE SCOOP HOLDER	1	37	XICM002486	CONTROL BOARD BRACKET (NONSTOCKING)	1
15	XICM100231	ICE SCOOP, WHITE	1	38	XICM600334	ADJUSTABLE FEET (M20 MOUNTING BOLT)	4
16	XICM800448	PANEL, TOP EXTERIOR (NON STOCKING)	1	39	XICM100235	CONTROL BOARD (AC 90-245V)	1
17	XICM903880	PANEL, REAR EXTERIOR (NON STOCKING)	1	40	XICM903916	CONTROL BOARD COVER (NON STOCKING)	1
18	XICM903879	GRILL, REAR (25.91" X 9.13")	1	41	XICM903877	FILL TUBE BRACKET, WATER INLET (NON STOCKING)	1
19	XICM100225	WATER SOLENOID VALVE (120V, 4W, 0.66 GPM)	1	42	XICM100476	LED LIGHT, BLUE (12VDC, 0.6W) (0.67" X 5.98")	1
20	XICM700385	DRAIN PIPE ASSEMBLY (NON STOCKING)	1	43	XICM200003	SWITCH, REED (BIN FULL)	1
21	NON STOCKING	WIRE HARNESS CLIPS (NON STOCKING)	10	44	NON STOCKING	COMPRESSOR MOUNTING PANEL (NON STOCKING)	1
22	XICM500348	SUCTION PIPE ASSY. (INCL. ACCUMULATOR AND CAP TUBE) (NON STOCKING)	1	45	XICM800221	FILL TUBE, WATER INLET	1
23	XICM100249	HARVEST SOLENOID VALVE (FDF4L-001, 120V, 5W, 125PSI, NC) (FDFX02-0751, COIL)	1	46	XICM000268	DRAIN PLUG (3/4")	1
24	XRI0122-1	CONDENSER, FAN GUARD (11")	1				

ECIM280X | ECIM280X-5



PARTS LIST FOR ECIM280X | ECIM280X-5

No.	Part #	Description	QTY	No.	Part #	Description	QTY
1	XICM201388	AIR FILTER, BLACK (13.84" X 9.61")	1	25	XICM100456	FAN MOTOR (YZF10-20, 55W, 115VAC, 1550RPM)	1
2	XICM903876	AIR FILTER BRACKET	1	26	XRI0015	FAN BLADE (V230)	1
3	XICM903875	GRILL, FRONT (30" X 24.33")	1	27	XICM200506	CONDENSER COIL (3R10K310L)	1
4	XICM200207	DIGITAL DISPLAY	1	28	NON STOCKING	FILTER DRIER HOLDER (NON STOCKING)	1
5	XICM801467	DOOR, BIN (23.27" X 12.81")	1	29	XICM500037	FILTER DRIER (IM-281AA-H) (1/4" I.D.)	1
6	XICM801466	DOOR FRAME (NON STOCKING)	1	30	NON STOCKING	DISCHARGE PIPE, COMPRESSOR (1/4" I.D. X 12.60" L)	1
7	XICM801468	DOOR, GUIDE RAIL, LEFT	1	31	NON STOCKING	TEE (COPPER) (1/4" I.D.)	1
8	XICM801469	DOOR, GUIDE RAIL, RIGHT	1	32	NON STOCKING	HOT GAS (HARVEST) PIPE (1/4" I.D. X 30.51" L)	1
9	XICM600276	WATER TROUGH (SUMP)	1	33	NON STOCKING	LIQUID LINE PIPE (1/4" I.D. X 18.90")	1
10	XICM800221	DRAIN PIPE, SUMP (CUT TO FIT) (NON STOCKING)	1	34	NON STOCKING	DISCHARGE PIPE, CONDENSER (1/4" I.D. X 21.46" L)	1
11	XICM200009	WATER PUMP MOTOR (PSB-2, 120V, 5.4 GPM)	1	35	XICM100886	COMPRESSOR W/START KIT (NPY12RR/115VAC/R290)	1
12	XICM700375	DISCHARGE TUBE, WATER PUMP	1	35	XICM100886K	START KIT, FOR COMPRESSOR NPY12RR	1
13	XICM301099	EVAPORATOR PLATE, HALF CUBE (ECIM280X-5)	1	35	X180010	CAP TUBE (.039" I.D. X 71" L)	1
13	XICM301219	EVAPORATOR PLATE, FULL CUBE (ECM280X)	1	36	XICM200417	POWER CORD (14AWG, NEMA 5-15P) 8'	1
14	XICM903878	ICE SCOOP HOLDER	1	37	XICM002486	CONTROL BOARD BRACKET (NON STOCKING)	1
15	XICM100231	ICE SCOOP, WHITE	1	38	XICM600334	ADJUSTABLE FEET (M20 MOUNTING BOLT)	4
16	XICM800448	PANEL, TOP EXTERIOR (NON STOCKING)	1	39	XICM100235	CONTROL BOARD (AC 90-245V)	1
17	XICM903880	PANEL, REAR EXTERIOR (NON STOCKING)	1	40	XICM903916	CONTROL BOARD COVER (NON STOCKING)	1
18	XICM903879	GRILL, REAR (25.91" X 9.13")	1	41	XICM903877	FILL TUBE BRACKET, WATER INLET (NON STOCKING)	1
19	XICM100225	WATER SOLENOID VALVE (120V, 4W, 0.66 GPM)	1	42	XICM100476	LED LIGHT, BLUE (12VDC, 0.6W) (0.67" X 5.98")	1
20	XICM700385	DRAIN PIPE ASSEMBLY (NON STOCKING)	1	43	XICM200003	SWITCH, REED (BIN FULL)	1
21	NON STOCKING	WIRE HARNESS CLIPS (NON STOCKING)	10	44	NON STOCKING	COMPRESSOR MOUNTING PANEL (NON STOCKING)	1
22	XICM500328	SUCTION PIPE ASSY. (INCL. ACCUMULATOR AND CAP TUBE) (NON STOCKING)	1	45	XICM800221	FILL TUBE, WATER INLET	1
23	XICM100249	HARVEST SOLENOID VALVE (FDF4L-001, 120V, 5W, 125PSI, NC) (FDFX02-0751, COIL)	1	46	XICM000268	DRAIN PLUG (3/4")	1
24	XRI0122-1	CONDENSER, FAN GUARD (11")	1				



PARTS LIST FOR ECIMX UNDER COUNTER ICE MACHINES:

FULL CUBE MODELS:

ECIM160X | ECIM210X | ECIM280X

HALF CUBE MODLES:

ECIM160X-5 | ECIM210X-5 | ECIM280X-5



Parts & Support | (704) 900-2068

Revision: March 2026