



# PARTS LIST FOR ECIMX FULL SIZE ICE MACHINES:

## FULL CUBE MODELS:

**ECIM350X | ECIM420X | ECIM530X**



## HALF CUBE MODLES:

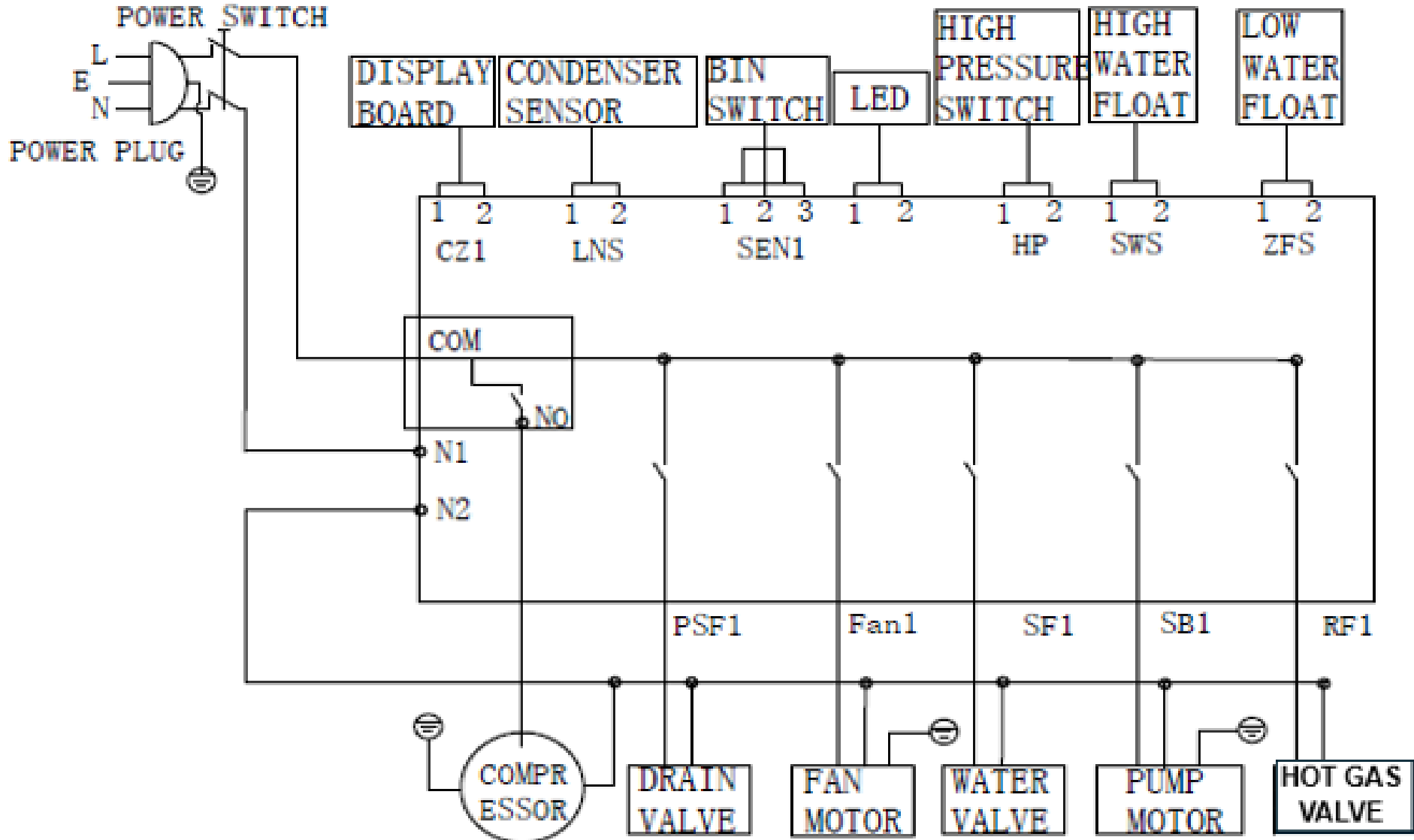
**ECIM350X-5 | ECIM420X-5 | ECIM530X-5**



**Parts & Support | (704) 900-2068**

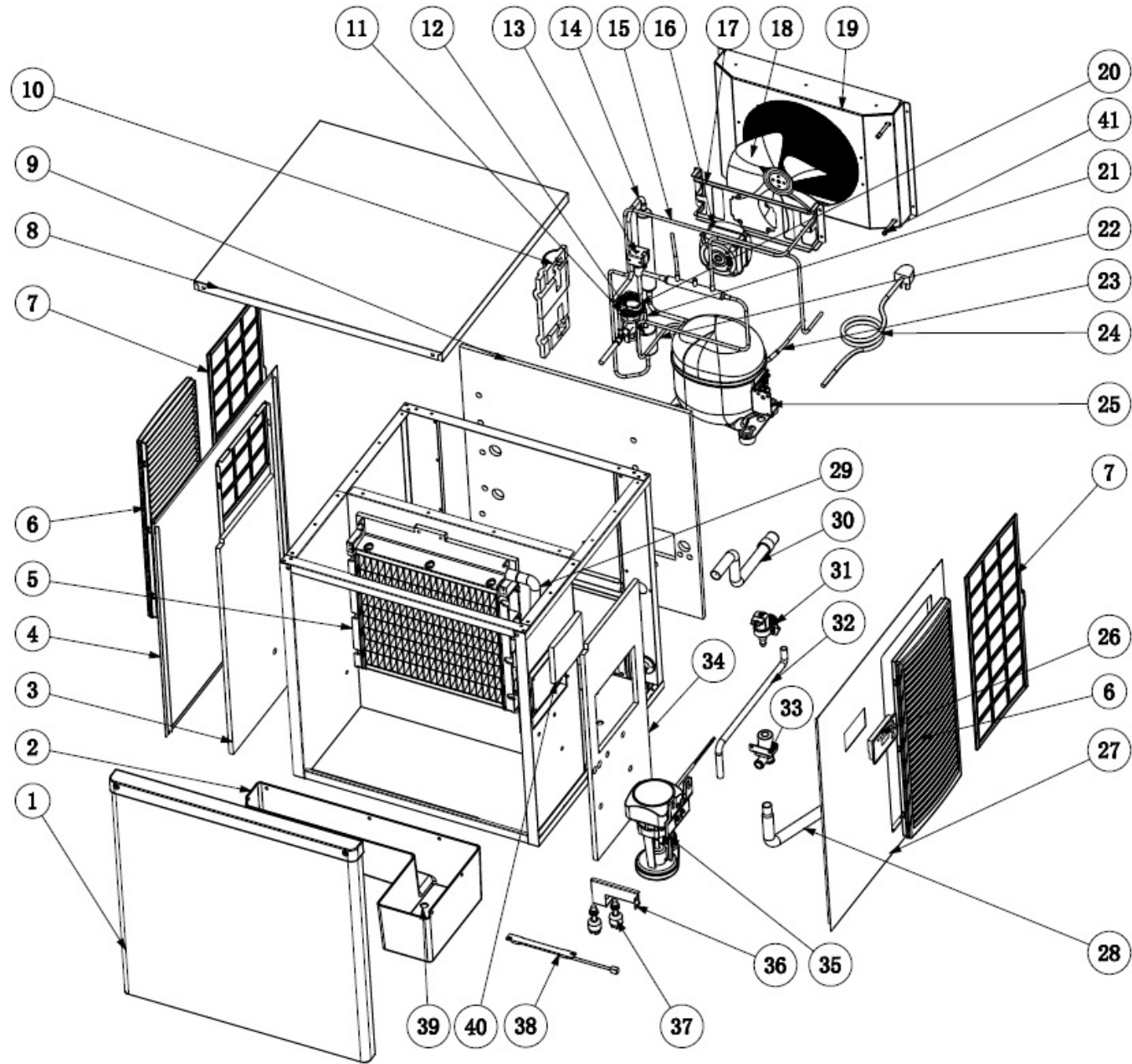
Revision: March 2026

# ECIMX FULL-SIZE CIRCUIT DIAGRAM AND SPECS



ECIMX SPECS					
MODEL #	REF.	CHARGE	COMPRESSOR	AMPS	WATTS
ECIM350X	R290	4.41 oz	NPY12RR	6.5A	637W
ECIM420X	R290	4.23 oz	NUT140NR	7.6A	701W
ECIM530X	R290	4.76 oz	NPT18LR	9.5A	928W

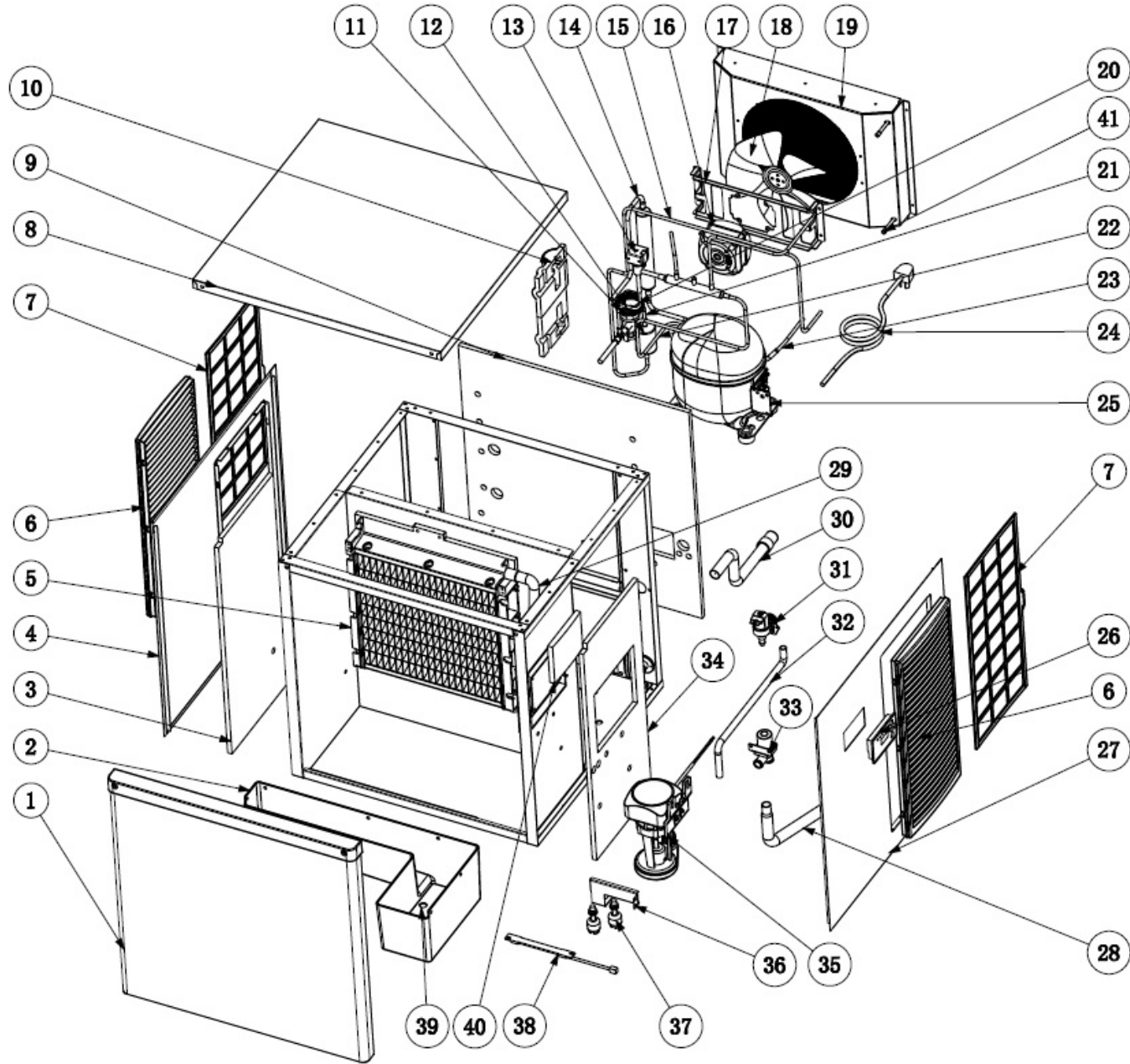
# ECIM350X | ECIM350X-5



## PARTS LIST FOR ECIM350X | ECIM350X-5

NO.	Part#	Description	QTY	NO.	Part#	Description	QTY
1	XICM303074	DOOR, FRONT COVER	1	22	NON STOCKING	DISCHARGE PIPE, COMPRESSOR (1/4" I.D. X 27.17" L)	1
2	XICM600278	WATER TROUGH (SUMP)	1	23	NON STOCKING	PROCESS TUBE (1/4" I.D. X 5.12")	2
3	XICM300226	INSULATION PANEL, LEFT (NON STOCKING)	1	24	XICM200417	POWER CORD (14AWG, NEMA 5-15P) 8'	1
4	XICM802220	PANEL, LEFT SIDE EXTERIOR	1	25	XICM100886	COMPRESSOR W/START KIT (NPY12RR/R290/115VAC)	1
5	XICM301129	EVAPORATOR PLATE, HALF CUBE (ECIM350X-5)	1	25	XICM100886K	START KIT FOR COMPRESSOR NPY12RR	1
5	XICM301200	EVAPORATOR PLATE, FULL CUBE (ECM350X)	1	26	XICM200207	DIGITAL DISPLAY	1
6	XICM201392	AIR FILTER GRILL (18.32" X 8.86")	2	27	XICM802216	PANEL, RIGHT SIDE EXTERIOR	1
7	XICM201393	AIR FILTER, BLACK (9.11" X 8.86")	2	28	XICM700391	DRAIN VALVE TUBE (3/4" X 14.57")	1
8	XICM802219	PANEL, TOP EXTERIOR (NON STOCKING)	1	29	XICM700390	DISCHARGE TUBE, WATER PUMP	1
9	XICM300228	PANEL, BACK EXTERIOR (NON STOCKING)	1	30	XICM700385	DRAIN PIPE ASSEMBLY (NON STOCKING)	1
10	XICM300225	EXPANSION VALVE INSULATION (NON STOCKING)	1	31	XICM100233	WATER SOLENOID VALVE (126F028, 120V, 4W, 1.06 GPM)	1
11	XICM700074	EXPANSION VALVE (TD1-(R290)-068N7723) (1/4" INLET X 3/8" OUTLET)	1	32	XICM800221	FILL TUBE, WATER INLET	1
12	XICM500040	FILTER DRIER (DTG-A03020-901) (1/4" I.D.)	1	33	XICM100234	DRAIN SOLENOID VALVE (VH-3, 120VAC, 60W)	1
13	XICM100237	HARVEST SOLENOID VALVE (FDF6L-001, 115VAC, 5W, N/C) (FDFX02-0751, COIL)	1	34	XICM300227	INSULATION PANEL, RIGHT (NON STOCKING)	1
14	XICM500337	SUCTION PIPE ASSY. (INCL. ACCUMULATOR AND CAP TUBE) (NON STOCKING)	1	35	XICM200016	WATER PUMP MOTOR (PSB-2, 120V, 5.4 GPM)	1
15	NON STOCKING	LIQUID LINE PIPE (1/4" I.D. X 49.61")	1	36	XICM904111	BRACKET, FLOAT ASSY. (NON STOCKING)	1
16	XICM100473	FAN MOTOR (YZF18-25, 70W, 115VAC, 1550RPM)	1	37	XICM100201	FLOAT, WATER LEVEL	2
17	XICM904112	FAN MOTOR BRACKET (13.70" X 4.69")	1	38	XICM100476	LED LIGHT, BLUE (12VDC, 0.6W) (0.67" X 5.98")	1
18	XRI0015	FAN BLADE (V230)	1	39	XICM000268	DRAIN PLUG (3/4")	1
19	XICM300005	CONDENSER COIL	1	40	XICM100236	CONTROL BOARD (AC 90-245V)	1
20	NON STOCKING	HOT GAS (HARVEST) PIPE (1/4" I.D. X 6.69" L)	1	41	XICM400292	TEMPERATURE SENSOR (NTC, 10K) 40" , DISCHARGE	1
21	NON STOCKING	LIQUID LINE PIPE TO TXV (1/4" I.D. X 3.15")	1				

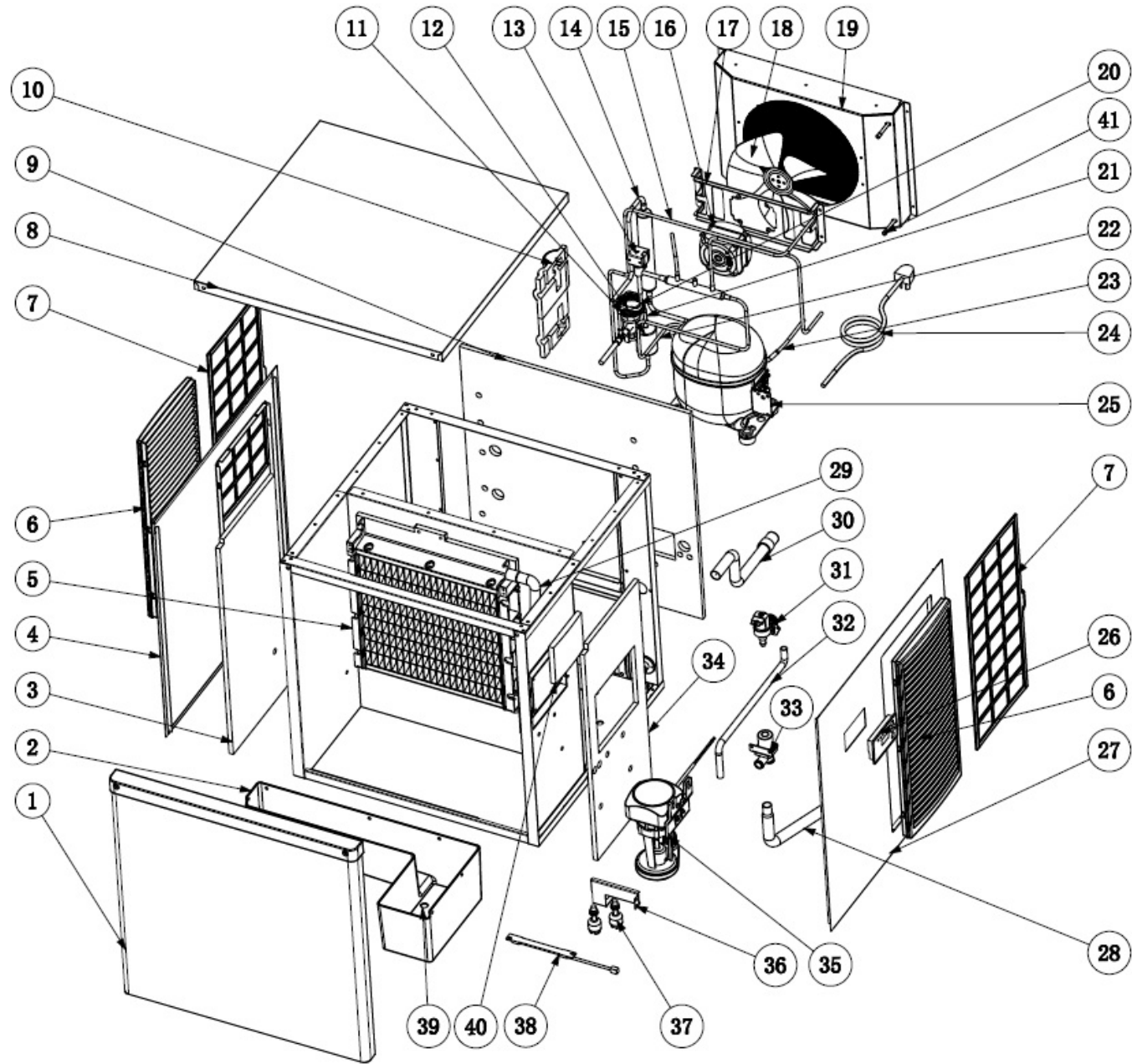
# ECIM420X | ECIM420X-5



## PARTS LIST FOR ECIM420X | ECIM420X-5

NO.	Part#	Description	QTY	NO.	Part#	Description	QTY
1	XICM303074	DOOR, FRONT COVER	1	22	NON STOCKING	DISCHARGE PIPE, COMPRESSOR (1/4" I.D. X 27.17" L)	1
2	XICM600278	WATER TROUGH (SUMP)	1	23	NON STOCKING	PROCESS TUBE (1/4" I.D. X 5.12")	2
3	XICM300226	INSULATION PANEL, LEFT (NON STOCKING)	1	24	XICM200417	POWER CORD (14AWG, NEMA 5-15P) 8'	1
4	XICM802220	PANEL, LEFT SIDE EXTERIOR	1	25	XICM100931	COMPRESSOR W/START KIT (NUT140NR/R290/115V)	1
5	XICM301173	EVAPORATOR PLATE, HALF CUBE (ECIM420X-5)	1	25	XICM100931K	START KIT FOR COMPRESSOR NUT140NR	1
5	XICM301174	EVAPORATOR PLATE, FULL CUBE (ECM420X)	1	26	XICM200207	DIGITAL DISPLAY	1
6	XICM201392	AIR FILTER GRILL (18.32" X 8.86")	2	27	XICM802216	PANEL, RIGHT SIDE EXTERIOR	1
7	XICM201393	AIR FILTER, BLACK (9.11" X 8.86")	2	28	XICM700391	DRAIN VALVE TUBE (3/4" X 14.57")	1
8	XICM802219	PANEL, TOP EXTERIOR (NON STOCKING)	1	29	XICM700424	DISCHARGE TUBE, WATER PUMP	1
9	XICM300231	PANEL, BACK EXTERIOR (NON STOCKING)	1	30	XICM700385	DRAIN PIPE ASSEMBLY (NON STOCKING)	1
10	XICM300225	EXPANSION VALVE INSULATION (NON STOCKING)	1	31	XICM100233	WATER SOLENOID VALVE (126F028, 120V, 4W, 1.06 GPM)	1
11	XICM700074	EXPANSION VALVE (TD1-(R290)-068N7723) (1/4" INLET X 3/8" OUTLET)	1	32	XICM800221	FILL TUBE, WATER INLET	1
12	XICM500040	FILTER DRIER (DTG-A03020-901) (1/4" I.D.)	1	33	XICM100234	DRAIN SOLENOID VALVE (VH-3, 120VAC, 60W)	1
13	XICM100237	HARVEST SOLENOID VALVE (FDF6L-001, 115VAC, 5W, N/C) (FDFX02-0751, COIL)	1	34	XICM300227	INSULATION PANEL, RIGHT (NON STOCKING)	1
14	XICM500349	SUCTION PIPE ASSY. (INCL. ACCUMULATOR AND CAP TUBE) (NON STOCKING)	1	35	XICM200016	WATER PUMP MOTOR (PSB-2, 120V, 5.4 GPM)	1
15	NON STOCKING	LIQUID LINE PIPE (1/4" I.D. X 49.21")	1	36	XICM904111	BRACKET, FLOAT ASSY. (NON STOCKING)	1
16	XICM100473	FAN MOTOR (YZF18-25, 70W, 115VAC, 1550RPM)	1	37	XICM100201	FLOAT, WATER LEVEL	2
17	XICM904112	FAN MOTOR BRACKET (13.70" X 4.69")	1	38	XICM100476	LED LIGHT, BLUE (12VDC, 0.6W) (0.67" X 5.98")	1
18	XRI0015	FAN BLADE (V230)	1	39	XICM000268	DRAIN PLUG (3/4")	1
19	XICM300005	CONDENSER COIL	1	40	XICM100236	CONTROL BOARD (AC 90-245V)	1
20	NON STOCKING	HOT GAS (HARVEST) PIPE (1/4" I.D. X 8.07" L)	1	41	XICM400292	TEMPERATURE SENSOR (NTC, 10K) 40" , DISCHARGE	1
21	NON STOCKING	LIQUID LINE PIPE TO TXV (1/4" I.D. X 3.15")	1				

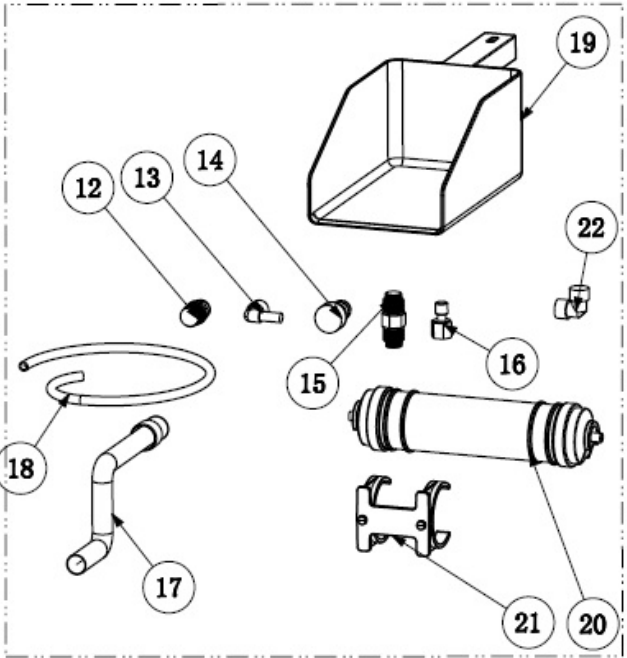
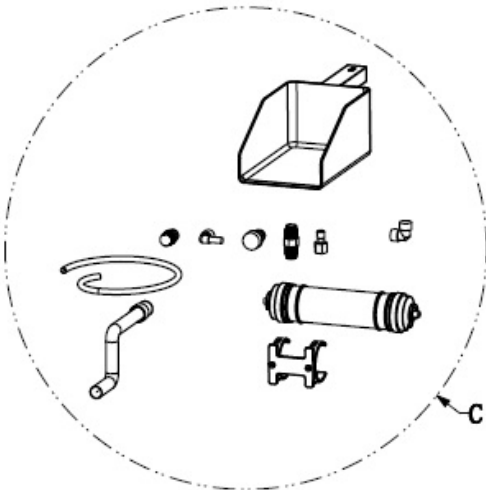
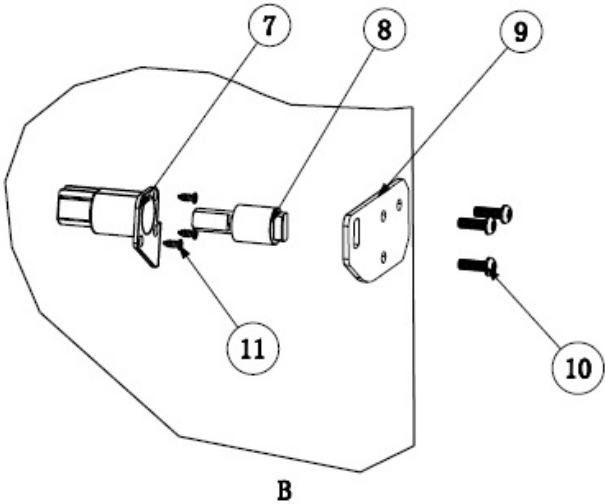
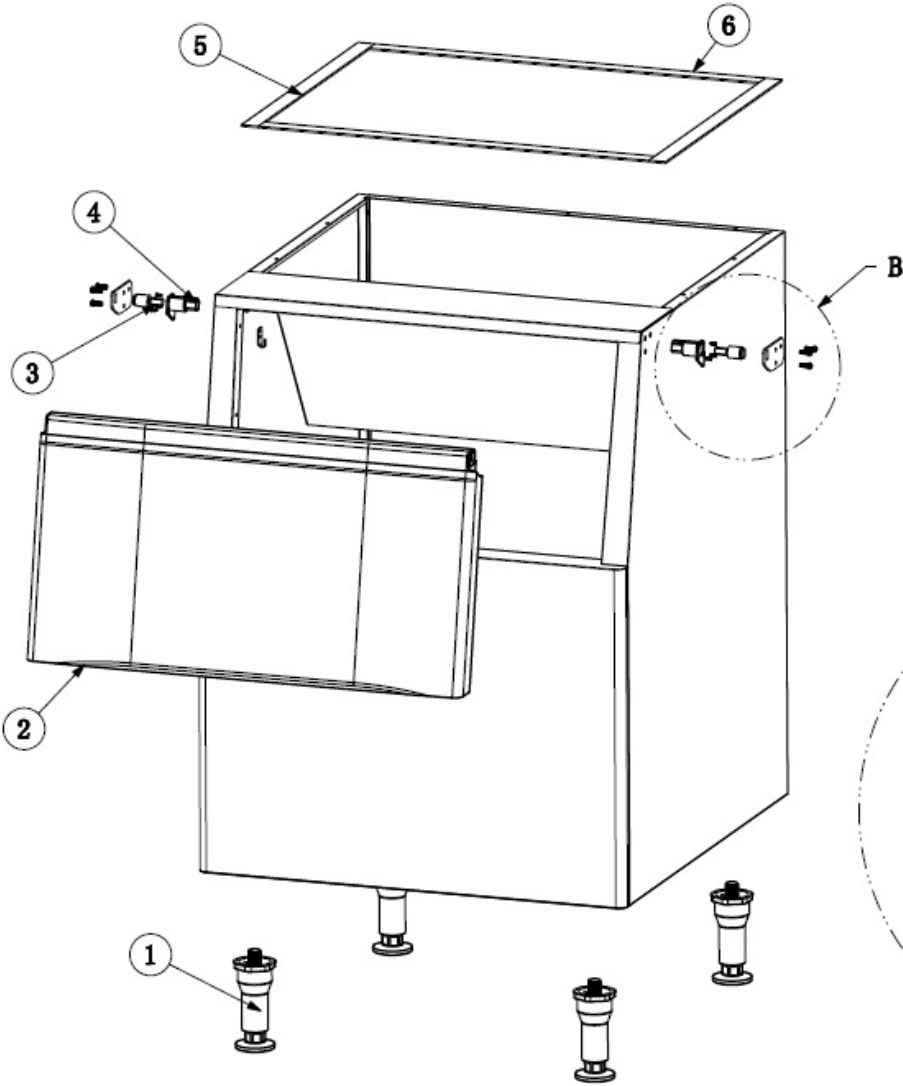
# ECIM530X | ECIM530X-5



## PARTS LIST FOR ECIM530X | ECIM530X-5

NO.	Part#	Description	QTY	NO.	Part#	Description	QTY
1	XICM303075	DOOR, FRONT COVER	1	22	NON STOCKING	DISCHARGE PIPE, COMPRESSOR (1/4" I.D. X 20.08" L)	1
2	XICM600279	WATER TROUGH (SUMP)	1	23	NON STOCKING	PROCESS TUBE (1/4" I.D. X 5.12")	2
3	XICM300226	INSULATION PANEL, LEFT (NON STOCKING)	1	24	XICM200417	POWER CORD (14AWG, NEMA 5-15P) 8'	1
4	XICM802220	PANEL, LEFT SIDE EXTERIOR	1	25	XX-HC0015	COMPRESSOR W/START KIT (NPT18LR/R290/115VAC)	1
5	XICM301130	EVAPORATOR PLATE, HALF CUBE (ECIM530X-5)	1	25	XX-HC0015K	START KIT FOR COMPRESSOR NPT18LR	1
5	XICM301221	EVAPORATOR PLATE, FULL CUBE (ECM530X)	1	26	XICM200207	DIGITAL DISPLAY	1
6	XICM201392	AIR FILTER GRILL (18.32" X 8.86")	2	27	XICM802216	PANEL, RIGHT SIDE EXTERIOR	1
7	XICM201393	AIR FILTER, BLACK (9.11" X 8.86")	2	28	XICM700391	DRAIN VALVE TUBE (3/4" X 14.57")	1
8	XICM802226	PANEL, TOP EXTERIOR (NON STOCKING)	1	29	XICM700390	DISCHARGE TUBE, WATER PUMP	1
9	XICM300229	PANEL, BACK EXTERIOR (NON STOCKING)	1	30	XICM700385	DRAIN PIPE ASSEMBLY (NON STOCKING)	1
10	XICM300225	EXPANSION VALVE INSULATION (NON STOCKING)	1	31	XICM100233	WATER SOLENOID VALVE (126F028, 120V, 4W, 1.06 GPM)	1
11	XICM700074	EXPANSION VALVE (TD1-(R290)-068N7723) (1/4" INLET X 3/8" OUTLET)	1	32	XICM800221	FILL TUBE, WATER INLET	1
12	XICM500040	FILTER DRIER (DTG-A03020-901) (1/4" I.D.)	1	33	XICM100234	DRAIN SOLENOID VALVE (VH-3, 120VAC, 60W)	1
13	XICM100237	HARVEST SOLENOID VALVE (FDF6L-001, 115VAC, 5W, N/C) (FDFX02-0751, COIL)	1	34	XICM300227	INSULATION PANEL, RIGHT (NON STOCKING)	1
14	XICM500338	SUCTION PIPE ASSY. (INCL. ACCUMULATOR AND CAP TUBE) (NON STOCKING)	1	35	XICM200016	WATER PUMP MOTOR (PSB-2, 120V, 5.4 GPM)	1
15	NON STOCKING	LIQUID LINE PIPE (1/4" I.D. X 58.27")	1	36	XICM904111	BRACKET, FLOAT ASSY. (NON STOCKING)	1
16	XICM100474	FAN MOTOR (YWF4E300B-92/35-BB-01, 16W, 115VAC, 1500RPM)	1	37	XICM100201	FLOAT, WATER LEVEL	2
17	XICM904118	FAN MOTOR BRACKET (18.43" X 4.69")	1	38	XICM100476	LED LIGHT, BLUE (12VDC, 0.6W) (0.67" X 5.98")	1
18	XRI0015	FAN BLADE (V230)	1	39	XICM000268	DRAIN PLUG (3/4")	1
19	XICM300006	CONDENSER COIL	1	40	XICM100236	CONTROL BOARD (AC 90-245V)	1
20	NON STOCKING	HOT GAS (HARVEST) PIPE (1/4" I.D. X 6.69" L)	1	41	XICM400292	TEMPERATURE SENSOR (NTC, 10K) 40" , DISCHARGE	1
21	NON STOCKING	LIQUID LINE PIPE TO TXV (1/4" I.D. X 3.15")	1				

# ECIMX | ECIMX-5 ICE BIN



C

# PARTS LIST FOR ECIMX FULL-SIZE BIN

NO.	Part#	Description	350/420	530
1	XICM600334	ADJUSTABLE FEET (M20 MOUNTING BOLT)	4	4
2	XICM801475	DOOR, BLACK (22.83" X 16.55")	1	
2	XICM801476	DOOR, BLACK (30.71" X 16.55")		1
3	XICM900488	LEFT DOOR DAMPER	1	1
4	XICM801485	LEFT DOOR HOUSING	1	1
5	NON STOCKING	GASKET (20.28" X 1.18")	2	2
6	NON STOCKING	GASKET (22.05" X 1.18")	2	
6	NON STOCKING	GASKET (29.92" X 1.18")		2
7	XICM801486	RIGHT DOOR HOUSING	1	1
8	XICM900494	RIGHT DOOR DAMPER	1	1
9	XICM205002	DOOR HINGE	2	2
10	NON STOCKING	STAINLESS SCREW (M5 X 16MM)	6	6
11	NON STOCKING	SCREW (M3 X 10MM)	6	6
12	NON STOCKING	FITTING, STRAIGHT, MALE TO PUSH (M16 X 3/8")	2	2
13	NON STOCKING	FITTING, 90° PUSH (3/8")	1	1
14	NON STOCKING	FITTING, STRAIGHT, FEMALE TO PUSH (M16 X 3/8")	1	1
15	NON STOCKING	FITTING, STRAIGHT (M20 X M20)	1	1
16	NON STOCKING	FITTING, STRAIGHT, FEMALE TO PUSH (M20 X 3/8")	1	1
17	NON STOCKING	DRAIN HOSE ASSEMBLY	1	1
18	NON STOCKING	WATER INLET PIPE (3/8")	1	1
19	XICM100231-1	ICE SCOOP, WHITE	1	1
20	XICM900509	WATER FILTER (10.35" X 2.36")	1	1
21	XICM900508	WATER FILTER BRACKET (2.53" × 3.15" × 2.72")	1	1
22	NON STOCKING	FITTING, 90° PUSH (3/8")	2	2



# PARTS LIST FOR ECIMX FULL SIZE ICE MACHINES:

## FULL CUBE MODELS:

**ECIM350X | ECIM420X | ECIM530X**



## HALF CUBE MODLES:

**ECIM350X-5 | ECIM420X-5 | ECIM530X-5**



**Parts & Support | (704) 900-2068**

Revision: March 2026