



# EFR GAS FRYER

**EF3R/EF4R-N/P**



**EF5R-N/P**



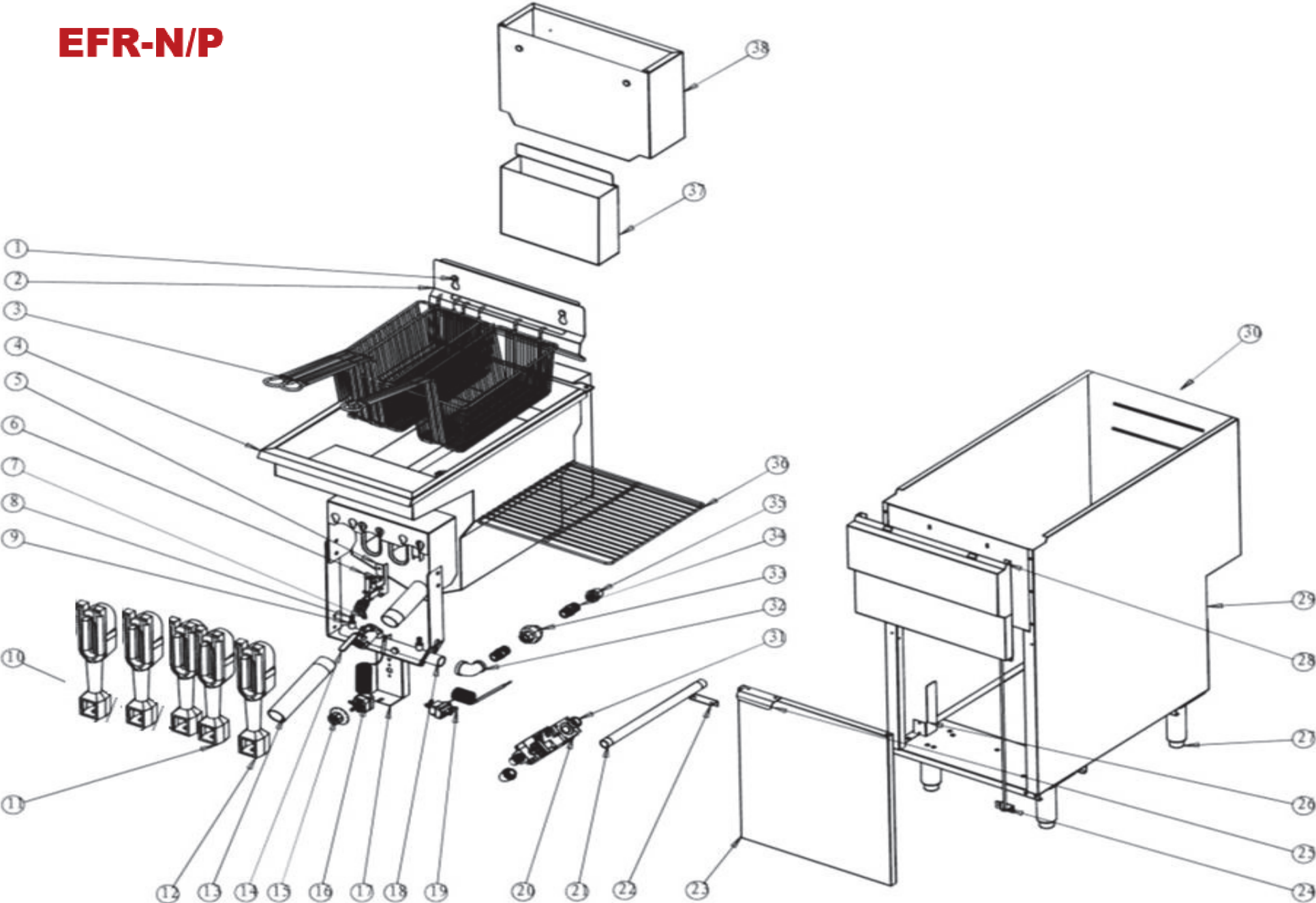
**EF2+2N/P**



**Parts & Support | (704) 900-2068**

Revision: March 2026

# EFR-N/P

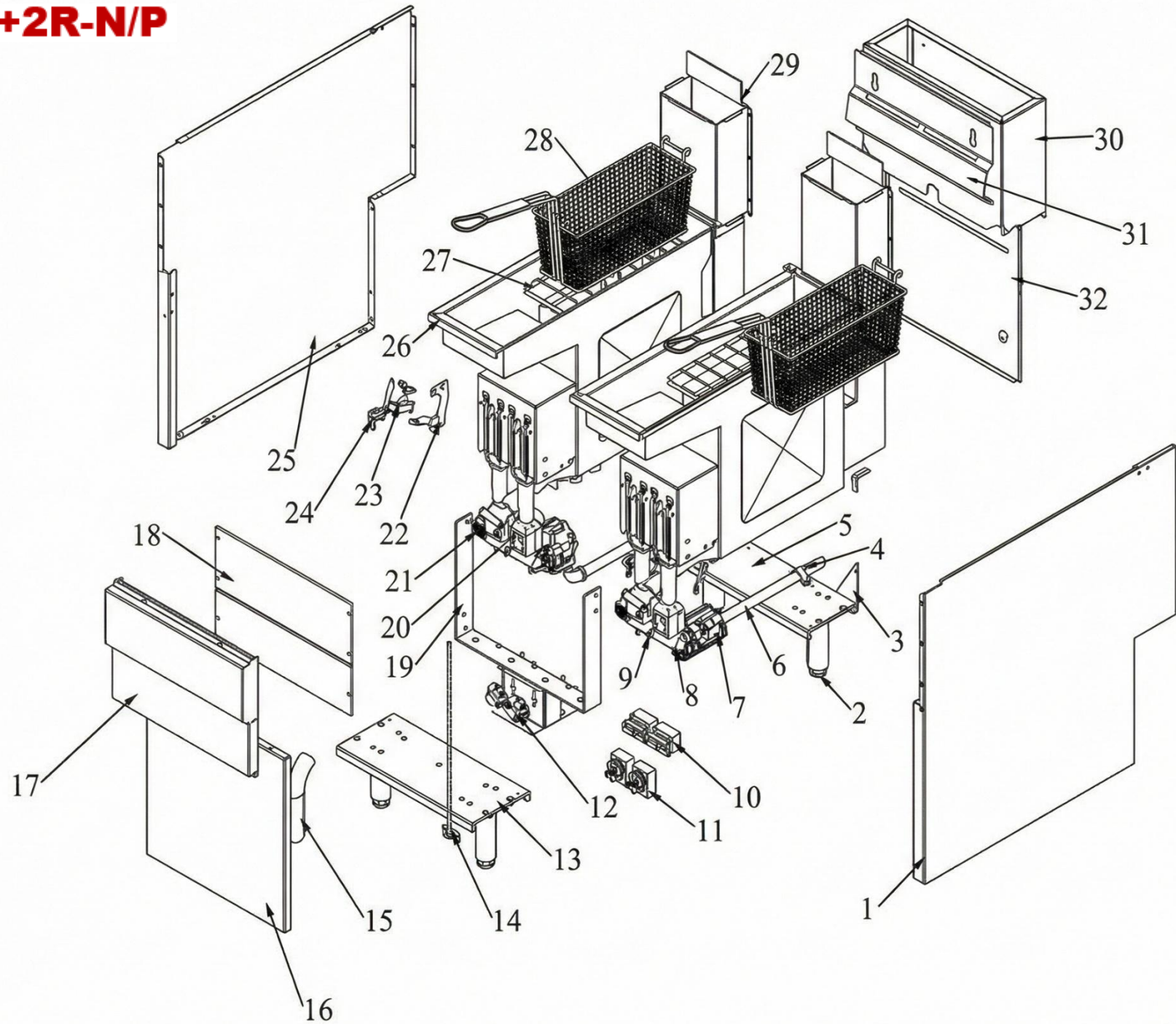


(Parts diagram shown is EF5R-N/P)

## PARTS LIST FOR EF3R - EF4R - EF5R

No.	Part #	Description	EF3R	EF4R	EF5R	No.	Part #	Description	EF3R	EF4R	EF5R
1	400082R	BASKET HANGER LOCKING SCREW	2	2	2	21	NON STOCKING	GAS MANIFOLD PIPE	1	1	1
2	400080R	BASKET HANGER	1	1	1	22	NON STOCKING	PIPE BRACKET	1	1	1
2	400081R	BASKET HANGER			1	23	100106R	DOOR ASSEMBLY	1	1	
3	400057R	BASKET (3 & 4 TUBE)	2	2		23	100137R	DOOR ASSEMBLY			1
3	400039R-1	BASKET (5 TUBE)			2	24	100136R	DOOR HINGE	1	1	1
4	C200016R	FRY POT ONLY - 3 TUBE	1			25	NON STOCKING	DOOR HANDLE	1	1	1
4	C200017R	FRY POT ONLY - 4 TUBE		1		26	NON STOCKING	DRAIN EXTENSION BRACKET	1	1	1
4	C200056R	FRY POT ONLY - 5 TUBE			1	27	400147R	6" ADJUSTABLE LEG	4	4	4
5	400047R-1	PILOT MOUNTING BRACKET	1	1	1	27	400148R	4" FIXED CASTER & MOUNTING HARDWARE	2	2	2
6	400047R-N	PILOT, 3 WAY (NATURAL)	1	1	1	27	400149R	4" SWIVEL CASTER W/BRAKE & MOUNTING HARDWARE	2	2	2
6	F300022R	PILOT, ORIFICE (.022") (NATURAL)	1	1	1	27	400147R-4	CASTER SET 2 SWIVEL W/BRAKE, 2 FIXED (WITH MOUNTING HARDWARE)	1	1	1
6	400047R-P	PILOT, 3 WAY (LP)	1	1	1	28	NON STOCKING	FRONT PANEL	1	1	1
6	GR100016R	PILOT, ORIFICE (.016") (LP)	1	1	1	29	NON STOCKING	SIDE PANEL	2	2	2
7	400043R	THERMOPILE	1	1	1	30	NON STOCKING	REAR PANEL	1	1	1
8	F300039R	MAIN BURNER ORIFICE #39 (NATURAL)	3	4	5	31	NON STOCKING	ADAPTER	1	1	1
8	F300052R	MAIN BURNER ORIFICE #52 (LP)	3	4	5	32	NON STOCKING	90° ELBOW	1	1	1
9	300046R	ORIFICE EXTENSION	3	4	5	33	NON STOCKING	1-1/4" PIPE UNION	1	1	1
10	300039R	BURNER	1	1	1	34	NON STOCKING	CLOSE NIPPLE	2	2	2
11	300039R	BURNER	1	2	3	35	NON STOCKING	BELL REDUCER	2	2	2
12	300039R	BURNER	1	1	1	36	400037R	BASKET SUPPORT (3 TUBE)	1		
13	400071R	DRAIN EXTENSION	1	1	1	36	400038R	BASKET SUPPORT (4 TUBE)		1	
14	400036R	BALL VALVE, 1-1/4"	1	1	1	36	400056R-1	BASKET SUPPORT (4 TUBE)			1
15	400045R-1	KNOB, THERMOSTAT	1	1	1	37	400075R	FLUE TOP	1		
16	400044R	THERMOSTAT	1	1	1	37	400078R-1	FLUE TOP		1	
17	NON STOCKING	BURNER BRACKET	1	1	1	37	400075R-2	FLUE TOP			1
18	NON STOCKING	BURNER MANIFOLD	1	1	1	38	400078R	FLUE WRAP	1	1	
19	400046R	HIGH LIMIT	1	1	1	38	400079R	FLUE WRAP			1
20	400042R	VALVE, COMBI, MILLIVOLT NG	1	1	1						
20	400146R	VALVE, COMBI, MILLI VOLT LP	1	1	1						

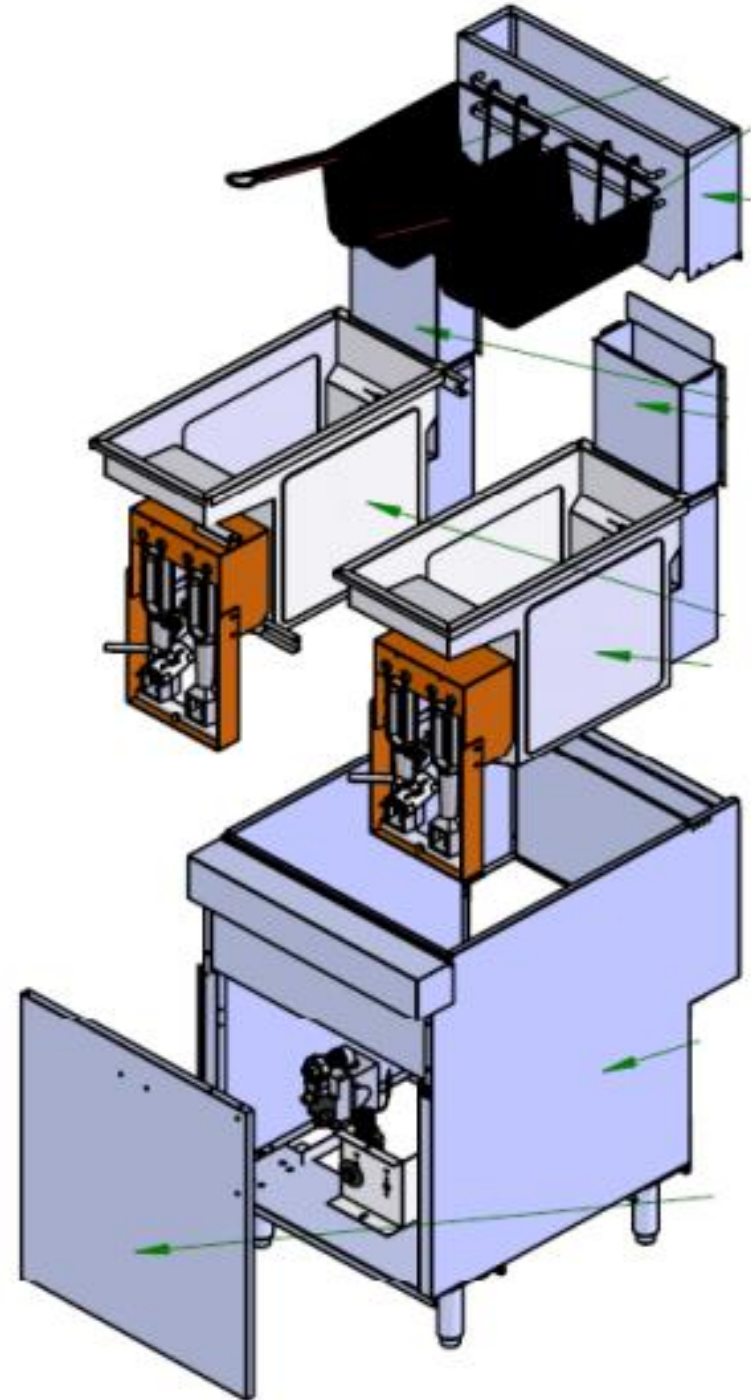
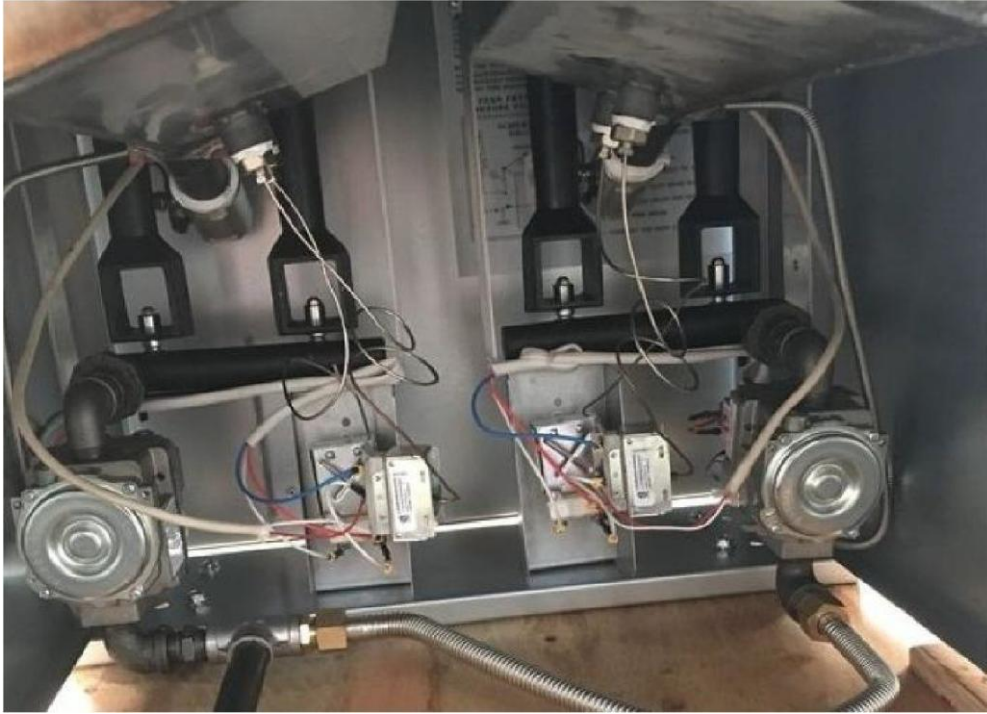
# EF2+2R-N/P



## PARTS LIST FOR EF2+2R

No.	Part #	Description	QTY	No.	Part #	Description	QTY
1	NON STOCKING	SIDE PANEL	1	18	NON STOCKING	FRONT PANEL, INNER	1
2	400147R	6" ADJUSTABLE LEG	4	19	NON STOCKING	BURNER BRACKET	1
2	400148R	4" FIXED CASTER & MOUNTING HARDWARE	2	20	300039R	BURNER	4
2	400149R	4" SWIVEL CASTER W/BRAKE & MOUNTING HARDWARE	2	20	F300039R	MAIN BURNER ORIFICE #39 (NATURAL)	4
2	400147R-4	CASTER SET 2 SWIVEL W/BRAKE, 2 FIXED (WITH MOUNTING HARDWARE)	1	20	F300052R	MAIN BURNER ORIFICE #52 (LP)	4
3	NON STOCKING	SUPPORT CHANNEL BRACKET, LEG/CASTER	2	21	400036R-1	BALL VALVE, 1-1/4"	2
4	NON STOCKING	PIPE BRACKET	1	22	400047R-1	PILOT MOUNTING BRACKET	2
5	NON STOCKING	SUPPORT CHANNEL, LEG/CASTER	1	23	400047R-N	PILOT, 3 WAY (NATURAL)	2
6	NON STOCKING	GAS MANIFOLD PIPE	1	23	F300022R	PILOT, ORIFICE (.022") (NATURAL)	2
7	400042R	VALVE, COMBI, MILLIVOLT NG	2	23	400047R-P	PILOT, 3 WAY (LP)	2
7	400146R	VALVE, COMBI, MILLIVOLT LP	2	23	GR100016R	PILOT, ORIFICE (.016") (LP)	2
8	NON STOCKING	BURNER MANIFOLD	2	24	400043R	THERMOPILE	2
9	NON STOCKING	BURNER MANIFOLD PLUG	2	25	NON STOCKING	SIDE PANEL	1
10	400046R	HIGH LIMIT	2	26	C200018R	FRY POT ONLY - SPLIT POT	2
11	400044R	THERMOSTAT	2	27	400040R	BASKET SUPPORT (SPLIT POT)	2
12	400045R-1	KNOB, THERMOSTAT	2	28	400041R	BASKET (SPLIT POT)	2
13	NON STOCKING	SUPPORT CHANNEL, LEG/CASTER	1	29	400077R-1	FLUE TOP	2
14	100136R	DOOR HINGE	1	30	400077R	FLUE WRAP	1
15	400071R	DRAIN EXTENSION	2	31	400083R	BASKET HANGER	1
16	100107R	DOOR ASSEMBLY	1	31	400082R	BASKET HANGER LOCKING SCREW	2
17	NON STOCKING	FRONT PANEL	1	32	NON STOCKING	REAR PANEL	1

# EF2+2R-N/P





# EFR GAS FRYER

**EF3R/EF4R-N/P**



**EF5R-N/P**



**EF2+2N/P**



**Parts & Support | (704) 900-2068**

Revision: March 2026