



# **PARTS LIST FOR SANDWICH PREP HC (R290):**

**For modes:**

**S29-HC, S29-MT-HC, S29-SI-HC, S29-MT-SI-HC,  
S29-MT-2D-HC**

**S48-HC, S48-SI-HC, S48-4D-HC, S48-MT-HC,  
S48-MT-SI-HC, S48-MT-4D-HC,**

**S61-HC, S61-SI-HC, S61-4D-HC, S61-MT-HC,  
S61-MT-SI-HC**

**S72-HC, S72-SI-HC, S72-MT-HC, S72-MT-SI-HC**





The serial number breakdown:

Example:2309ENTQ00123

The first two numbers are the Year, 23 = 2023

The second two numbers are the Month, 09 = September

ENT = Entrée

The fourth alpha character will note the Freon Type on the HC Models.

Q = R290, B= R600

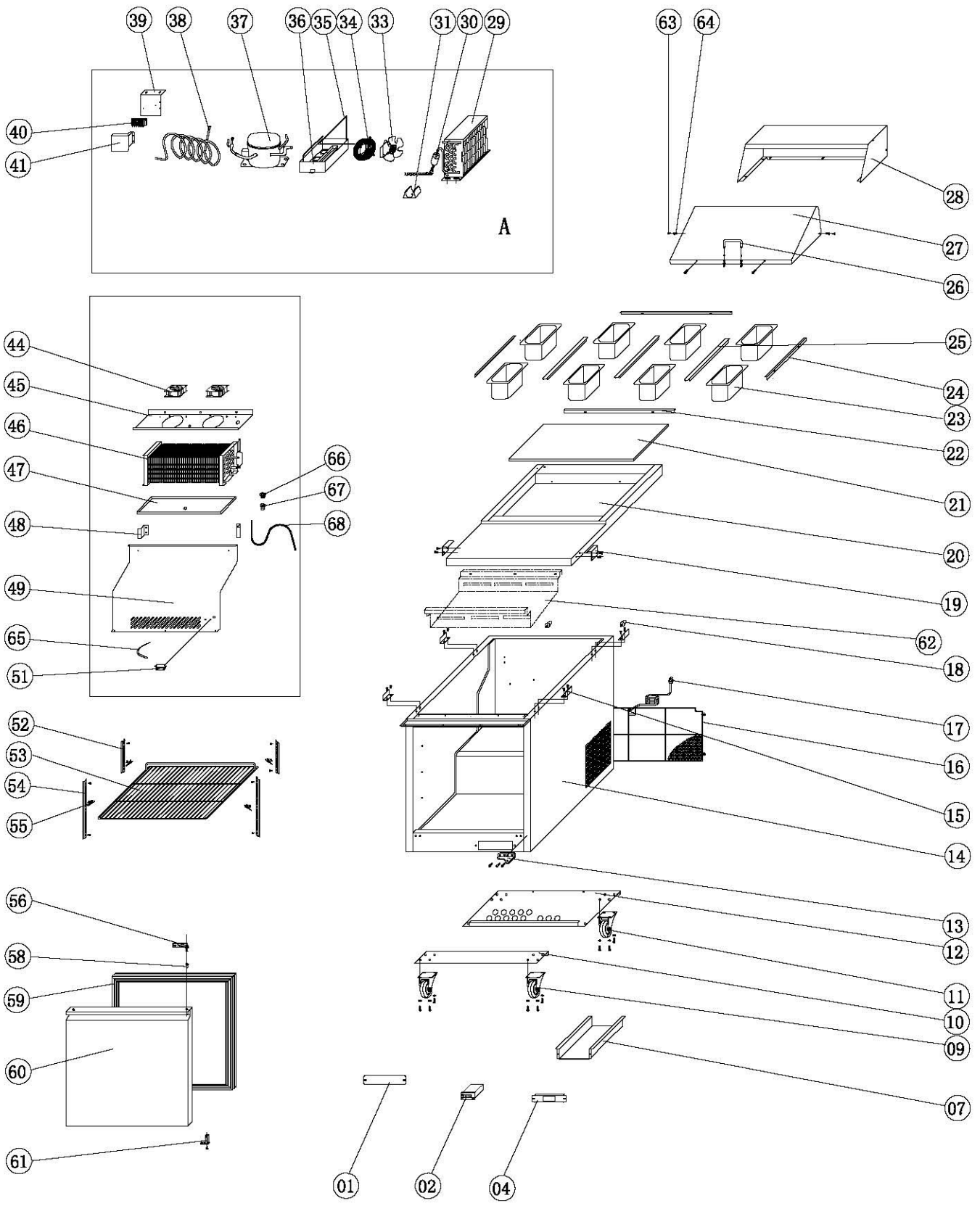
The last FIVE (5) numbers are the numerical sequence of units built that month. In the example this unit would have been the one hundred twenty third unit.

To order parts that are non-warranty, you can contact our parts distributor, 704-900-2068, option #2.

## Specifications:

<b>ENTRÉE MODEL #</b>	<b>Max Weight Load per</b>	<b>Max Weight Load per Model</b>	<b>Freon Type</b>	<b>Charge Oz.</b>	<b>(Test) High Pressure</b>	<b>(Test) Low pressure</b>
S29-HC	44 lbs. per Shelf	496 lbs.	R290	3.50	350	150
S48-HC	35 lbs. per Shelf	401 lbs.	R290	3.17	320	150
S61-HC	46 lbs. per Shelf	354 lbs.	R290	3.17	320	150
S72-HC	37 lbs. per Shelf	324 lbs.	R290	3.35	320	150
S29-MT-HC	44 lbs. per Shelf	496 lbs.	R290	3.00	350	150
S48-MT-HC	35 lbs. per Shelf	401 lbs.	R290	3.17	320	150
S61-MT-HC	46 lbs. per Shelf	354 lbs.	R290	3.17	320	150
S72-MT-HC	37 lbs. per Shelf	324 lbs.	R290	3.35	320	150
S48-4D-HC	125 lbs. per Drawer	401 lbs.	R290	3.17	320	150
S61-4D-HC	125 lbs. per Drawer	354 lbs.	R290	3.17	320	150
S29-MT-2D-HC	125 lbs. per Drawer	496 lbs.	R290	3.00	350	150
S48-MT-4D-HC	125 lbs. per Drawer	401 lbs.	R290	3.17	320	150
S61-MT-4D-HC	125 lbs. per Drawer	354 lbs.	R290	3.17	320	150
<b>ENTRÉE MODEL #</b>	<b>Operating Pressure (PSI)</b>	<b>Cap Tube (mm)</b>	<b>Cap Tube (in)</b>	<b>HP</b>	<b>AMP</b>	<b>BTU</b>
S29-HC	5.8/174 (30°C)	φ1.0×3000	.039"X118.11"	1/3	3.0	853
S48-HC	5.8/174 (30°C)	φ1.4×3000	.055"X118.11"	1/2	4.3	1,365
S61-HC	5.8/174 (30°C)	φ1.4×3000	.055"X118.11"	1/2	4.3	1,365
S72-HC	5.8/174 (30°C)	φ1.4×3000	.055"X118.11"	1/2	4.3	1,365
S29-MT-HC	5.8/174 (30°C)	φ1.0×3000	.039"X118.11"	1/3	3.0	853
S48-MT-HC	5.8/174 (30°C)	φ1.4×3000	.055"X118.11"	1/2	4.3	1,365
S61-MT-HC	5.8/174 (30°C)	φ1.4×3000	.055"X118.11"	1/2	4.3	1,365
S72-MT-HC	5.8/174 (30°C)	φ1.4×3000	.055"X118.11"	1/2	4.3	1,365
S48-4D-HC	5.8/174 (30°C)	φ1.4×3000	.055"X118.11"	1/2	4.3	1,365
S61-4D-HC	5.8/174 (30°C)	φ1.4×3000	.055"X118.11"	1/2	4.3	1,365
S29-MT-2D-HC	5.8/174 (30°C)	φ1.0×3000	.039"X118.11"	1/3	3.0	853
S48-MT-4D-HC	5.8/174 (30°C)	φ1.4×3000	.055"X118.11"	1/2	4.3	1,365
S61-MT-4D-HC	5.8/174 (30°C)	φ1.4×3000	.055"X118.11"	1/2	4.3	1,365

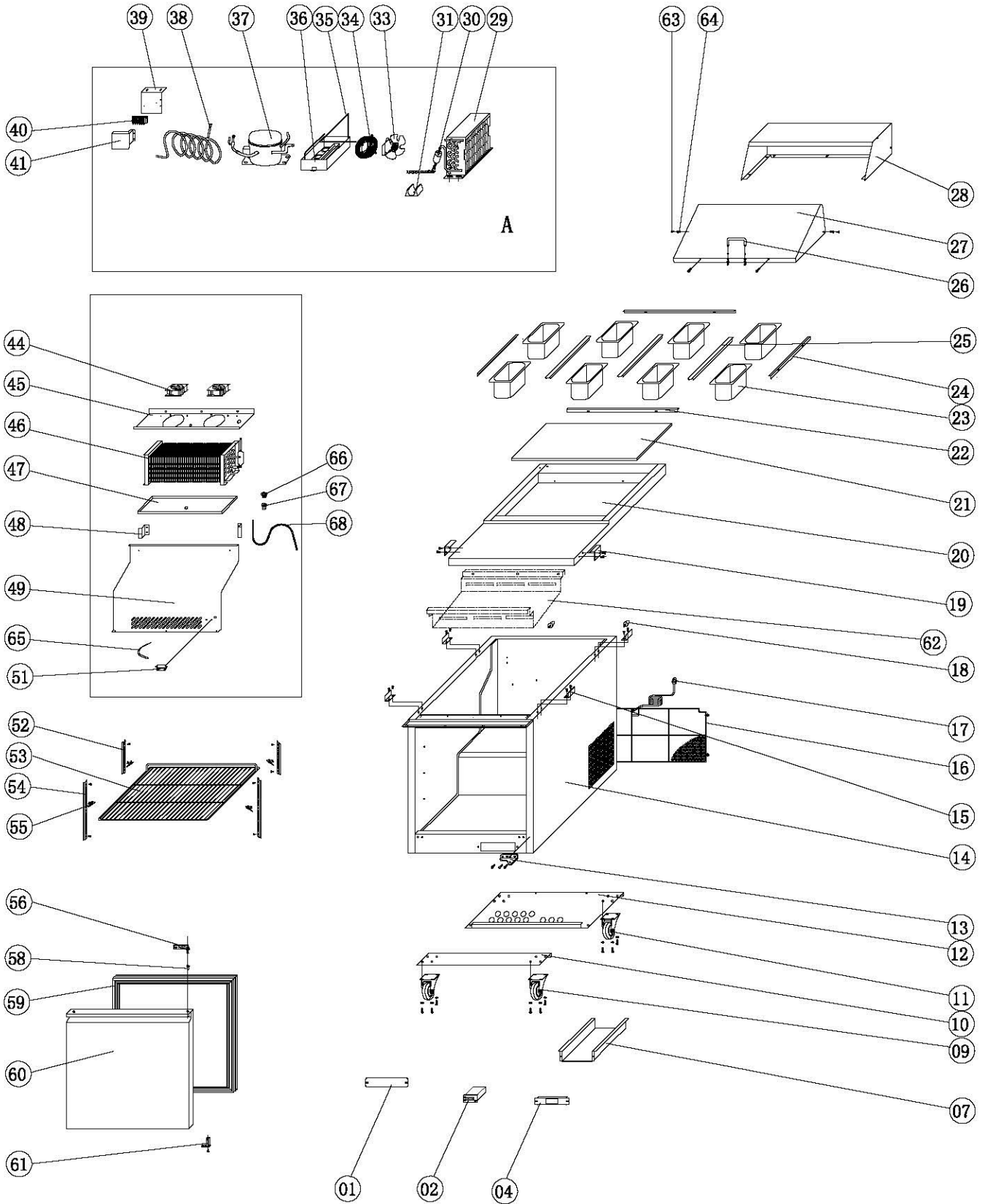
# MODEL S29-HC



## MODEL S29-HC

REF	PART #	DESCRIPTION	QTY
1	H108060074	CONTROLLER PROTECTION COVER	1
2	H00219-2	CONTROLLER, DIXELL XR20CX, REFRIGERATOR	1
4	NON STOCKING	CONTROLLER MOUNTING BRACKET *	1
7	NON STOCKING	CONTROLLER CHANEL *	1
9	H01316	SWIVEL CASTER W/BRAKE 2.5"	2
10	NON STOCKING	BASE CHANEL	1
11	H01317	SWIVEL CASTER W/O BRAKE 2.5"	2
12	NON STOCKING	REAR BASE PANEL	1
13	C02327RB	HINGE, LOWER RIGHT	1
14	N/A	BODY	1
15	N/A	TOP BRACKET	4
16	N/A	REAR CONDENSER GUARD	1
17	C2194681	POWER CORD, 18AWG/NEMA 5-15P	1
18	H02315	REAR WALL SPACER	2
19	H02382	CUTTING BOARD MOUNTING BRACKET	2
20	N/A	MAIN TOP	1
21	H01243	CUTTING BOARD S29	1
22	H03377	PAN SUPPORT FRONT/REAR	2
23	H01268	STANDARD PAN 1/6	8
24	H02478	PAN SUPPORT LEFT/RIGHT	2
25	H00277	PAN SUPPORT	3
26	H00376	HANDLE FOR LID	1
27	H00371	LID, 29	1
27	COMES WITH LID	LID LINER	1
27	COMES WITH LID	INSULATION BOARD	1
28	H00368	HOOD W/INSULATION, LINER, 29	1
28	COMES WITH HOOD	LINER	1
28	COMES WITH HOOD	INSULATION BOARD	1
29	HC0347	CONDENSER COIL	1
30	RD0341	FILTER DRIER	1
31	N/A	FILTER DRIER SUPPORT BRACKET	1
32	H01301	CAP TUBE (.039" X 118.11")	1
33	H00125	MOTOR, CONDENSER FAN, BD03-04/C06 (5W, 600 RPM)	1
33	HC0117-1	FAN BLADE	1
34	RD00111	GRILL, CONDENSER FAN GUARD	1
35	HC0164	EVAPORATOR PIPE	1
36	BC30911	CONDENSER WATER BOX	1
37	HC0001F	COMPRESSOR (EM2X3117U) W/FILTER DRIER	1
37	HC0001K	START KIT FOR EM2X3117U (SUPPLIED WITH COMPRESSOR)	1
38	HC0135	SUCTION PIPE	1
39	NON STOCKING	SUPPORT BRACKET *	1
40	NON STOCKING	TERMINAL BLOCK COVER	1
41	N/A	COVER	1
44	H01110	MOTOR BOX STYLE EVAP. FAN, (120VAC, 6W, 3100RPM)	2
45	NON STOCKING	EVAPORATOR FAN SUPPORT PANEL	1
46	HC1349R	EVAPORATOR COIL	1
47	H01141	EVAPORATOR DRIP PAN *	1
48	N/A	EVAPORATOR COVER SUPPORT	2
49	H01151	EVAPORATOR COVER	1
51	H00335	SENSOR CLIP	1
52	H03342	PILASTER	2
53	H01307	SHELF, (25.04" X 17.44")	1
54	H01342	PILASTER	2
55	C3234860	SHELF CLIP	4
56	C02327	HINGE, TOP RIGHT	1
58	H00327B	HINGE BUSHING	1
59	H01325	GASKET, FULL DOOR, 25 1/2" LONG X 26 11/16" WIDE	1
60	H01322A	DOOR, RIGHT	1
61	H00328-1	HINGE CARTRIDGE, SELF CLOSING	1
62	H01400	CRUMB/DRIP SHIELD *	1
63	H00356	LID PIVOT PIN	2
64	H00355	DEFORMED NUT, LID	2
65	H00205	TEMPERATURE SENOR NTC TYPE (118" LONG)	2
66	G30001	DRAIN PIPE FITTING	1
67	G30001F	DRAIN CONNECTOR	1
68	HC0396	DRAIN TUBING	1
		* NON-STOCKING PART	

# MODEL S29-S-HC

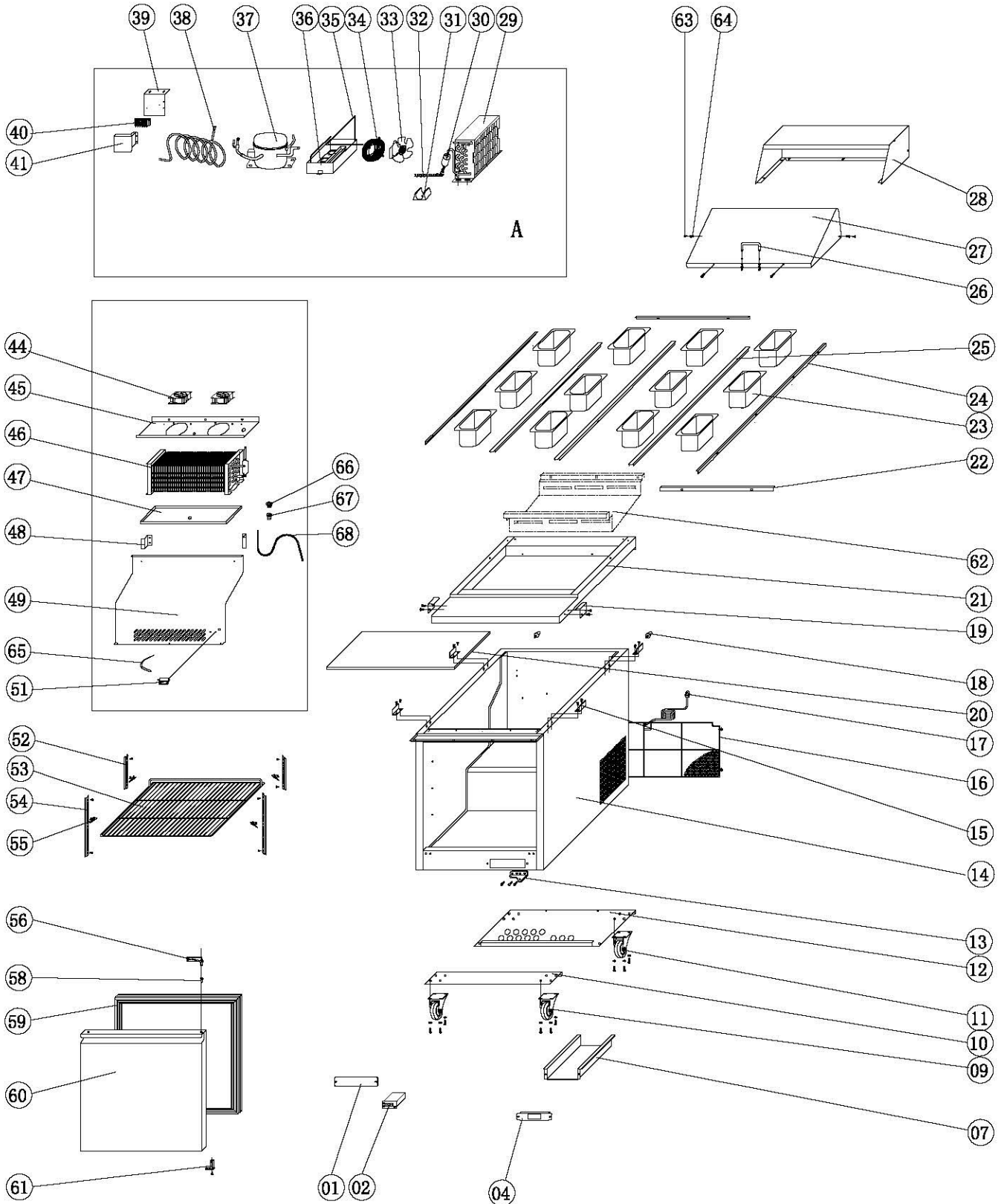


# MODEL S29-SI-HC

(Stainless Steel Interior)

NO.	PART #	DESCRIPTION	QTY
1	H108060074	CONTROLLER PROTECTION COVER	1
2	H00219-2	CONTROLLER, DIXELL XR20CX, REFRIGERATOR	1
4	NON STOCKING	CONTROLLER MOUNTING BRACKET *	1
7	NON STOCKING	CONTROLLER CHANEL *	1
9	H01316	SWIVEL CASTER W/BRAKE 2.5"	2
10	NON STOCKING	BASE CHANEL	1
11	H01317	SWIVEL CASTER W/O BRAKE 2.5"	2
12	NON STOCKING	REAR BASE PANEL	1
13	C02327RB	HINGE, LOWER RIGHT	1
14	N/A	BODY	1
15	N/A	TOP BRACKET	4
16	N/A	REAR CONDENSER GUARD	1
17	C2194681	POWER CORD, 18AWG/NEMA 5-15P	1
18	H02315	REAR WALL SPACER	2
19	H02382	CUTTING BOARD MOUNTING BRACKET	2
20	N/A	MAIN TOP	1
21	H01243	CUTTING BOARD S29	1
22	H03377	PAN SUPPORT FRONT/REAR	2
23	H01268	STANDARD PAN 1/6	8
24	H02478	PAN SUPPORT LEFT/RIGHT	2
25	H00277	PAN SUPPORT	3
26	H00376	HANDLE FOR LID	1
27	H00371S	LID W/INSULATION & LINER, 29	1
27	COMES WITH LID	LINER	1
27	COMES WITH LID	INSULATION BOARD	1
28	H00368S	HOOD W/INSULATION, SS LINER, 29	1
28	COMES WITH HOOD	LINER	1
28	COMES WITH HOOD	INSULATION BOARD	1
29	HC0347	CONDENSER COIL	1
30	RD0341	FILTER DRIER	1
31	N/A	FILTER DRIER SUPPORT BRACKET	1
32	H01301	CAP TUBE (.039" X 118.11")	
33	H00125	MOTOR, CONDENSER FAN, BD03-04/C06 (5W, 600 RPM)	1
33	HC0117-1	FAN BLADE	1
34	RD00111	GRILL, CONDENSER FAN GUARD	1
35	HC0164	EVAPORATOR PIPE	1
36	BC30911	CONDENSER WATER BOX	1
37	HC0001F	COMPRESSOR (EM2X3117U) W/FILTER DRIER	1
37	HC0001K	START KIT FOR EM2X3117U (SUPPLIED WITH COMPRESSOR)	1
38	HC0135	SUCTION PIPE	1
39	NON STOCKING	SUPPORT BRACKET *	1
40	NON STOCKING	TERMINAL BLOCK COVER	1
41	N/A	COVER	1
44	H01110	MOTOR BOX STYLE EVAP. FAN, (120VAC, 6W, 3100RPM)	2
45	NON STOCKING	EVAPORATOR FAN SUPPORT PANEL	1
46	HC1349R	EVAPORATOR COIL	1
47	H01141	EVAPORATOR DRIP PAN *	1
48	N/A	EVAPORATOR COVER SUPPORT	2
49	H01151S	EVAPORATOR COVER (SS)	1
51	H03335	SENSOR CLIP	1
52	H03342	PILASTER	2
53	H01307	SHELF, (25.04" X 17.44")	1
54	H01342	PILASTER	2
55	C3234860	SHELF CLIP	4
56	C02327	HINGE, TOP RIGHT	1
58	H00327B	HINGE BUSHING	1
59	H01325	GASKET, FULL DOOR, 25 1/2" LONG X 26 11/16" WIDE	1
60	H01322S	DOOR, LEFT (SS INTERIOR)	1
61	H00328-1	HINGE CARTRIDGE, SELF CLOSING	1
62	H01400S	CRUMB/DRIP SHIELD (SS) *	1
63	H00356	LID PIVOT PIN	2
64	H00355	DEFORMED NUT, LID	2
65	H00205	TEMPERATURE SENOR NTC TYPE (118" LONG)	2
66	G30001	DRAIN PIPE FITTING	1
67	G30001F	DRAIN CONNECTOR	1
68	HC0396	DRAIN TUBING	1
		* NON-STOCKING PART	

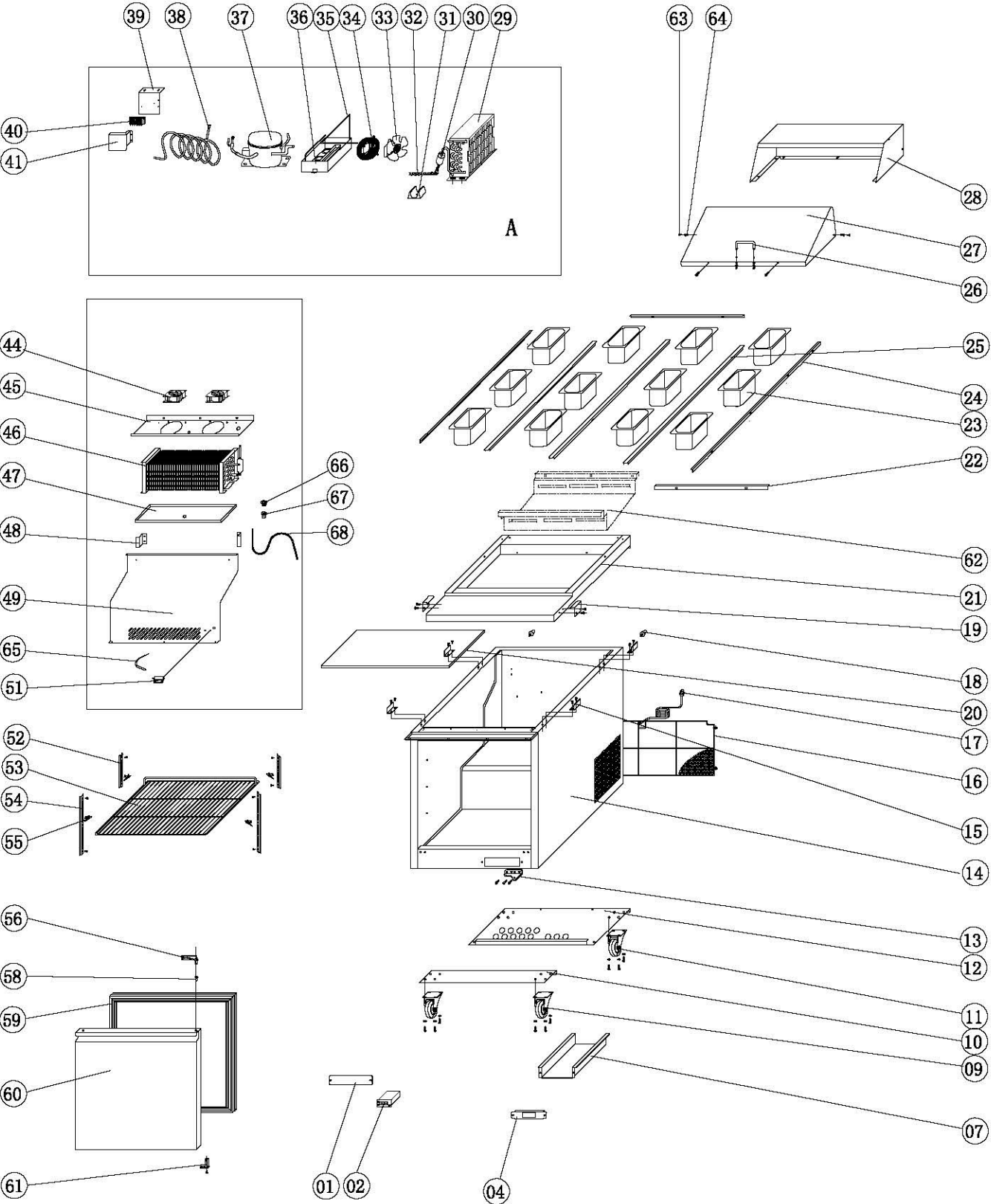
# MODEL S29-MT-HC



## Model S29-MT-HC

NO.	PART #	NAME	QTY.
1	H108060074	CONTROLLER PROTECTION COVER	1
2	H00219-2	CONTROLLER, DIXELL XR20CX, REFRIGERATOR	1
4	NON STOCKING	CONTROLLER MOUNTING BRACKET *	1
7	NON STOCKING	CONTROLLER CHANNEL *	1
9	H01316	SWIVEL CASTER W/BRAKE 2.5"	2
10	NON STOCKING	BASE CHANNEL	1
11	H01317	SWIVEL CASTER W/O BRAKE 2.5"	2
12	NON STOCKING	REAR BASE PANEL	1
13	C02327RB	HINGE, LOWER RIGHT	1
14	N/A	BODY	1
15	N/A	TOP BRACKET	2
16	N/A	REAR CONDENSER GUARD	1
17	C2194681	POWER CORD, 18AWG/NEMA 5-15P	1
18	H02315	REAR WALL SPACER	2
19	H02382	CUTTING BOARD MOUNTING BRACKET	2
20	H02243	CUTTING BOARD S29-MT	1
21	N/A	MAIN TOP	1
22	H03377	PAN SUPPORT FRONT/REAR	2
23	H01268	STANDARD PAN 1/6	12
24	H02578	PAN SUPPORT LEFT/RIGHT	2
25	H02377	PAN SUPPORT	3
26	H00376	HANDLE FOR LID	1
27	H01371	LID W/INSULATION PANEL -29MT	1
27	COMES WITH LID	LINER	1
27	COMES WITH LID	INSULATION BOARD	1
27	COMES WITH LID	LINER	1
28	H01368	HOOD W/INSULATION AND LINER 29MT	1
28	COMES WITH HOOD	HOOD LINER	1
28	COMES WITH HOOD	INSULATION BOARD	1
29	HC0347	CONDENSER COIL	1
30	RD0341	FILTER DRIER	1
31	N/A	FILTER DRIER SUPPORT BRACKET	1
32	H01301	CAP TUBE (.039" X 118.11")	1
33	H00125	MOTOR, CONDENSER FAN, BD03-04/C06 (5W, 600 RPM)	1
33	HC0117-1	FAN BLADE	1
34	RD00111	GRILL, CONDENSER FAN GUARD	1
35	HC0164	EVAPORATOR PIPE	1
36	BC30911	CONDENSER WATER BOX	1
37	HC0001F	COMPRESSOR (EM2X3117U) W/FILTER DRIER	1
37	HC0001K	START KIT FOR EM2X3117U (SUPPLIED WITH COMPRESSOR)	1
38	HC0135	SUCTION PIPE	1
39	NON STOCKING	SUPPORT BRACKET *	1
40	NON STOCKING	TERMINAL BLOCK COVER	1
41	N/A	COVER	1
44	H01110	MOTOR BOX STYLE EVAP. FAN, (120VAC, 6W, 3100RPM)	2
45	NON STOCKING	EVAPORATOR FAN SUPPORT PANEL	1
46	HC1349R	EVAPORATOR COIL	1
47	H01141	EVAPORATOR DRIP PAN *	1
48	N/A	EVAPORATOR COVER SUPPORT	2
49	H01151	EVAPORATOR COVER	1
51	H00335	SENSOR CLIP	1
52	H03342	PILASTER	2
53	H01307	SHELF, (25.04" X 17.44")	1
54	H01342	PILASTER	2
55	C3234860	SHELF CLIP	4
56	C02327	HINGE, TOP RIGHT	1
58	H00327B	HINGE BUSHING	1
59	H01325	GASKET, FULL DOOR, 25 1/2" LONG X 26 11/16" WIDE	1
60	H01322A	DOOR, RIGHT	1
61	H00328-1	HINGE CARTRIDGE, SELF CLOSING	1
62	H01410	CRUMB/DRIP SHIELD *	1
63	H00356	LID PIVOT PIN	2
64	H00355	DEFORMED NUT, LID	2
65	H00205	TEMPERATURE SENOR NTC TYPE (118" LONG)	2
66	G30001	DRAIN PIPE FITTING	1
67	G30001F	DRAIN CONNECTOR	1
68	HC0396	DRAIN TUBING	1

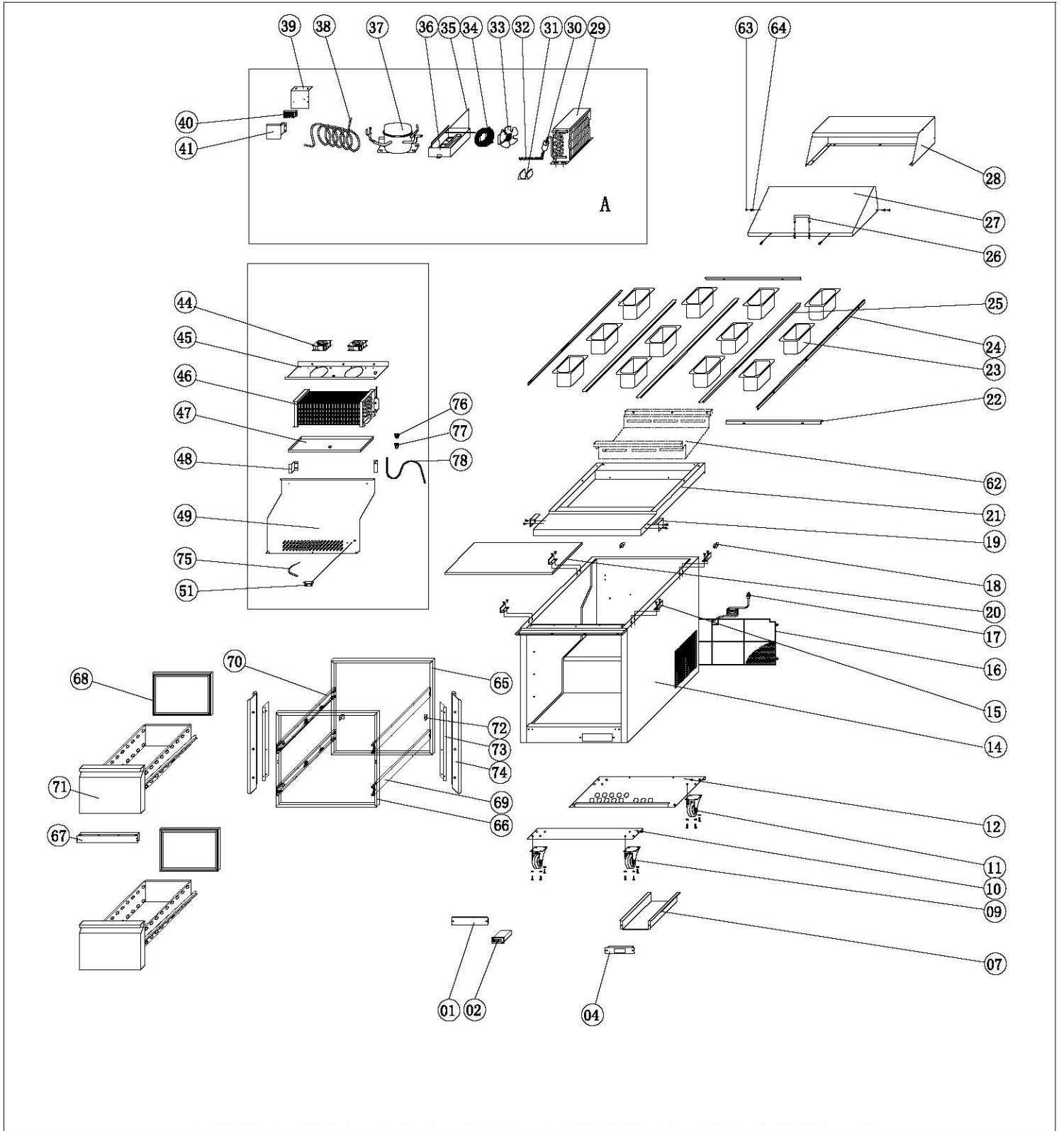
# MODEL S29-MT-SI-HC



## Model S29-MT-SI-HC

NO.	PART #	DESCRIPTION	QTY.
1	H108060074	CONTROLLER PROTECTION COVER	1
2	H00219-2	CONTROLLER, DIXELL XR20CX, REFRIGERATOR	1
4	NON STOCKING	CONTROLLER MOUNTING BRACKET *	1
7	NON STOCKING	CONTROLLER CHANEL *	1
9	H01316	SWIVEL CASTER W/BRAKE 2.5"	2
10	NON STOCKING	BASE CHANEL	1
11	H01317	SWIVEL CASTER W/O BRAKE 2.5"	2
12	NON STOCKING	REAR BASE PANEL	1
13	C02327RB	HINGE, LOWER RIGHT	1
14	N/A	BODY	1
15	N/A	TOP BRACKET	2
16	N/A	REAR CONDENSER GUARD	1
17	C2194681	POWER CORD, 18AWG/NEMA 5-15P	1
18	H02315	REAR WALL SPACER	2
19	H02382	CUTTING BOARD MOUNTING BRACKET	2
20	H02243	CUTTING BOARD S29-MT	1
21	N/A	MAIN TOP	1
22	H03377	PAN SUPPORT FRONT/REAR	2
23	H01268	STANDARD PAN 1/6	12
24	H02578	PAN SUPPORT LEFT/RIGHT	2
25	H02377	PAN SUPPORT	3
26	H00376	HANDLE FOR LID	1
27	H01371S	LID W/INSULATION AND SS LINER, S29MT	1
27	COMES WITH LID	LID INSULATION BOARD	1
27	COMES WITH LID	LINER	1
28	H01368S	HOOD W/INSULATION AND SS LINER 29MT	1
28	COMES WITH HOOD	LINER	1
28	COMES WITH HOOD	INSULATION BOARD	1
29	HC0347	CONDENSER COIL	1
30	RD0341	FILTER DRIER	1
31	N/A	FILTER DRIER SUPPORT BRACKET	1
32	H01301	CAP TUBE (.039" X 118.11")	1
33	H00125	MOTOR, CONDENSER FAN, BD03-04/C06 (5W, 600 RPM)	1
33	HC0117-1	FAN BLADE	1
34	RD00111	GRILL, CONDENSER FAN GUARD	1
35	HC0164	EVAPORATOR PIPE	1
36	BC30911	CONDENSER WATER BOX	1
37	HC0001F	COMPRESSOR (EM2X3117U) W/FILTER DRIER	1
37	HC0001K	START KIT FOR EM2X3117U (SUPPLIED WITH COMPRESSOR)	1
38	HC0135	SUCTION PIPE	1
39	NON STOCKING	SUPPORT BRACKET *	1
40	NON STOCKING	TERMINAL BLOCK COVER	1
41	N/A	COVER	1
44	H01110	MOTOR BOX STYLE EVAP. FAN, (120VAC, 6W, 3100RPM)	2
45	NON STOCKING	EVAPORATOR FAN SUPPORT PANEL	1
46	HC1349R	EVAPORATOR COIL	1
47	H01141	EVAPORATOR DRIP PAN *	1
48	N/A	EVAPORATOR COVER SUPPORT	2
49	H01151S	EVAPORATOR COVER (SS)	1
51	H03335	SENSOR CLIP	1
52	H03342	PILASTER	2
53	H01307	SHELF, (25.04" X 17.44")	1
54	H01342	PILASTER	2
55	C3234860	SHELF CLIP	4
56	C02327	HINGE, TOP RIGHT	1
58	H00327B	HINGE BUSHING	1
59	H01325	GASKET, FULL DOOR, 25 1/2" LONG X 26 11/16" WIDE	1
60	H01322S	DOOR, LEFT (SS INTERIOR)	1
61	H00328-1	HINGE CARTRIDGE, SELF CLOSING	1
62	H01410S	CRUMB/DRIP SHIELD (SS) *	1
63	H00356	LID PIVOT PIN	2
64	H00355	DEFORMED NUT, LID	2
65	H00205	TEMPERATURE SENOR NTC TYPE (118" LONG)	2
66	G30001	DRAIN PIPE FITTING	1
67	G30001F	DRAIN CONNECTOR	1
68	HC0396	DRAIN TUBING	1
		* NON STOCKING PART	

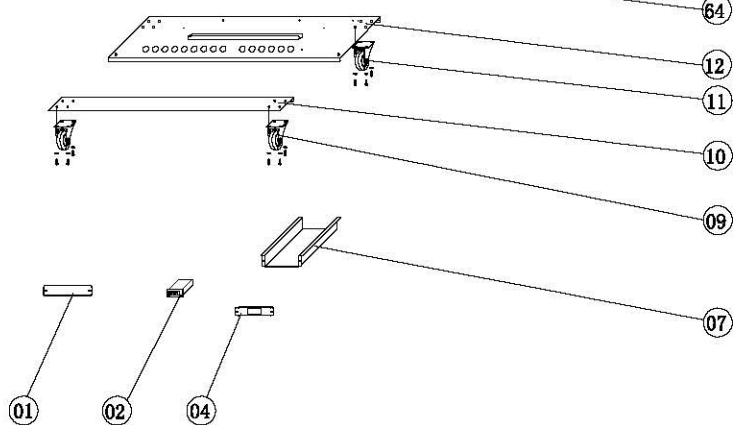
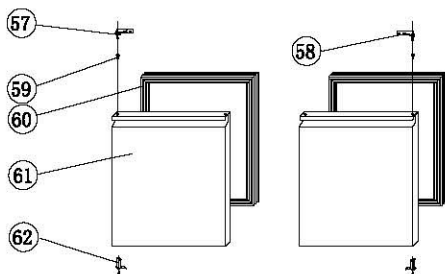
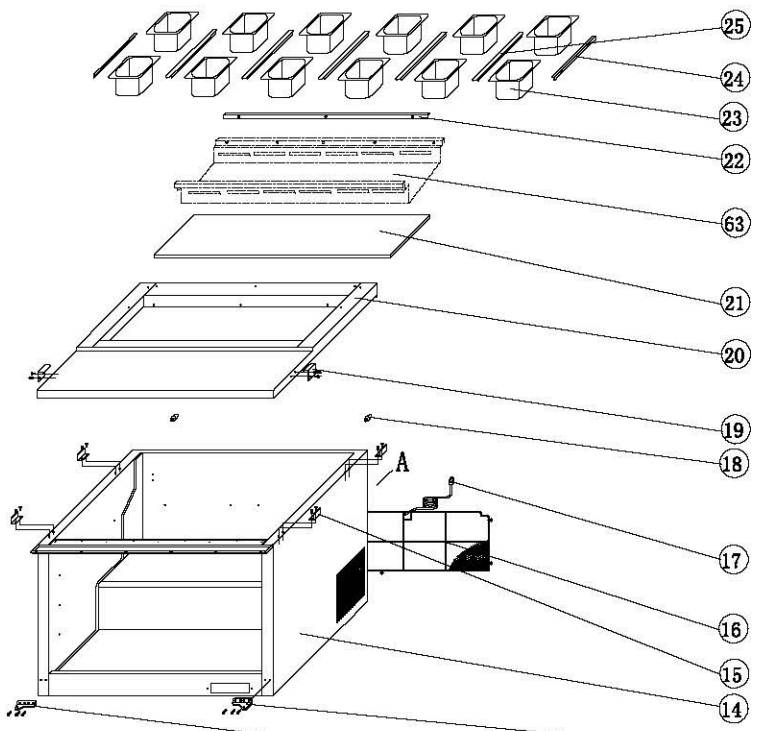
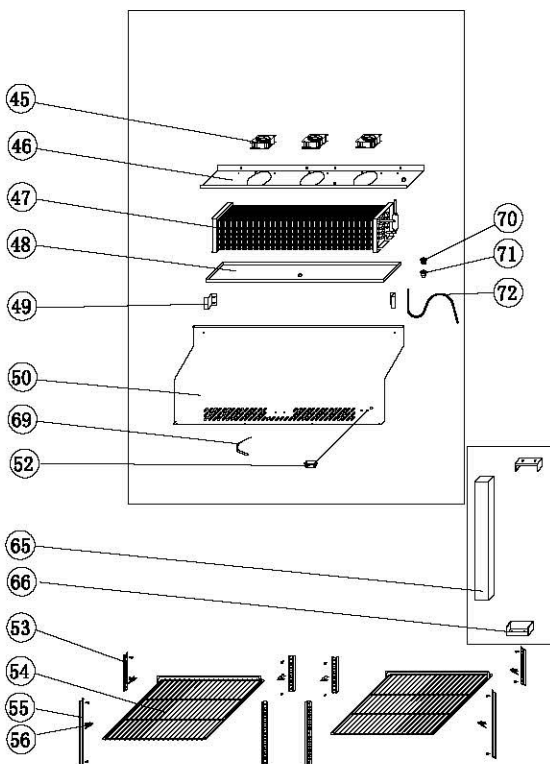
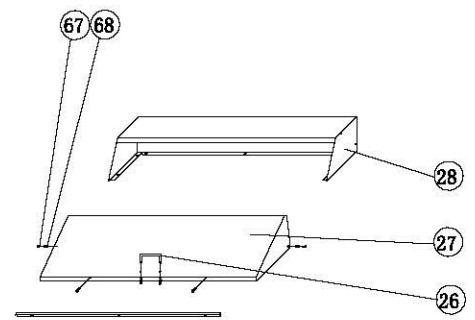
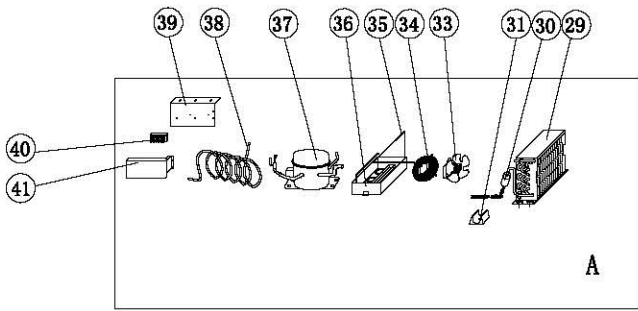
# MODEL S29-MT-2D-HC



## Model S29-MT-2D-HC

NO.	PART #	DESCRIPTION	QTY.
1	H108060074	CONTROLLER PROTECTION COVER	1
2	H00219-2	CONTROLLER, DIXELL XR20CX, REFRIGERATOR	1
4	NON STOCKING	CONTROLLER MOUNTING BRACKET *	1
7	NON STOCKING	CONTROLLER CHANEL *	1
9	H01316	SWIVEL CASTER W/BRAKE 2.5"	2
10	NON STOCKING	BASE CHANEL	1
11	H01317	SWIVEL CASTER W/O BRAKE 2.5"	2
12	NON STOCKING	REAR BASE PANEL	1
14	N/A	BODY	1
15	N/A	TOP BRACKET	2
16	N/A	REAR CONDENSER GUARD	1
17	C2194681	POWER CORD, 18AWG/NEMA 5-15P	1
18	H02315	REAR WALL SPACER	2
19	H02382	CUTTING BOARD MOUNTING BRACKET	2
20	H02243	CUTTING BOARD S29-MT	1
21	N/A	MAIN TOP	1
22	H03377	PAN SUPPORT FRONT/REAR	2
23	H01268	STANDARD PAN 1/6	12
24	H02578	PAN SUPPORT LEFT/RIGHT	2
25	H02377	PAN SUPPORT	3
26	H00376	HANDLE FOR LID	1
27	H01371	LID W/INSULATION AND LINER -29MT	1
27	COMES WITH LID	LINER	1
27	COMES WITH LID	INSULATION BOARD	1
27	COMES WITH LID	LINER	1
28	H01368	HOOD W/INSULATION AND LINER 29MT	1
28	COMES WITH HOOD	HOOD LINER	1
28	COMES WITH HOOD	INSULATION BOARD	1
29	HC0347	CONDENSER COIL	1
30	RD0341	FILTER DRIER	1
31	N/A	FILTER DRIER SUPPORT BRACKET	1
32	H01301	CAP TUBE (.039" X 118.11")	1
33	H00125	MOTOR, CONDENSER FAN, BD03-04/C06 (5W, 600 RPM)	1
33	HC0117-1	FAN BLADE	1
34	RD00111	GRILL, CONDENSER FAN GUARD	1
35	HC0164	EVAPORATOR PIPE	1
36	BC30911	CONDENSER WATER BOX	1
37	HC0001F	COMPRESSOR (EM2X3117U) W/FILTER DRIER	1
37	HC0001K	START KIT FOR EM2X3117U (SUPPLIED WITH COMPRESSOR)	1
38	HC0135	SUCTION PIPE	1
39	NON STOCKING	SUPPORT BRACKET *	1
40	NON STOCKING	TERMINAL BLOCK COVER	1
41	N/A	COVER	1
44	H01110	MOTOR BOX STYLE EVAP. FAN, (120VAC, 6W, 3100RPM)	2
45	NON STOCKING	EVAPORATOR FAN SUPPORT PANEL	1
46	HC1349R	EVAPORATOR COIL	1
47	H01141	EVAPORATOR DRIP PAN *	1
48	N/A	EVAPORATOR COVER SUPPORT	2
49	H01151	EVAPORATOR COVER	1
51	H00335	SENSOR CLIP	1
62	H01410	CRUMB/DRIP SHIELD *	1
63	H00356	LID PIVOT PIN	2
64	H00355	DEFORMED NUT, LID	2
65	RD2920	BACK FRAME	1
66	RD2923	FRONT FRAME	1
67	RD2905-1	BRIDGE	1
68	RD2902-1	GASKET, DRAWER	2
69	RD0002	GUIDE (RIGHT)	2
70	RD0001	GUIDE (LEFT)	2
71	RD2906-1	DRAWER FRONT PANEL ONLY	2
71	RD2906-1	DRAWER	2
72	RD2921-1	FRAME FIXED CLIP	4
73	RD2922-1	DRAWER SUPPORT	2
74	RD2924	FRONT SUPPORT	2
75	H00205	TEMPERATURE SENOR NTC TYPE (118" LONG)	1
76	G30001	DRAIN PIPE FITTING	1
77	G30001F	DRAIN CONNECTOR	1
78	HC0396	DRAIN TUBING	1
		* NON STOCKING PART	

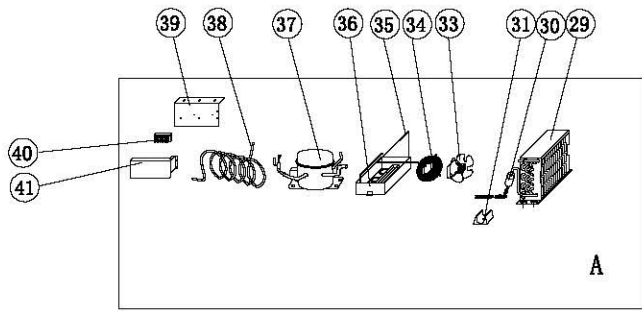
# MODEL S48-HC



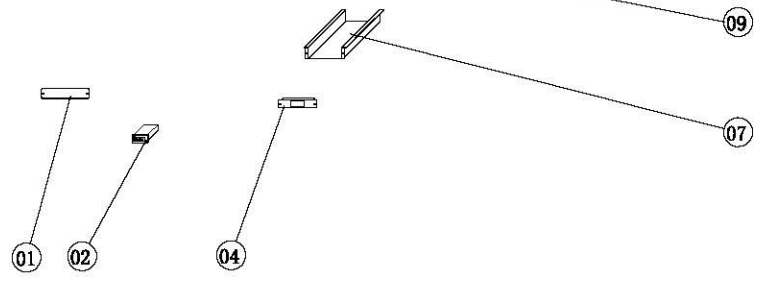
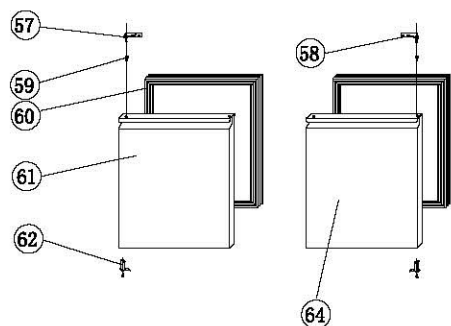
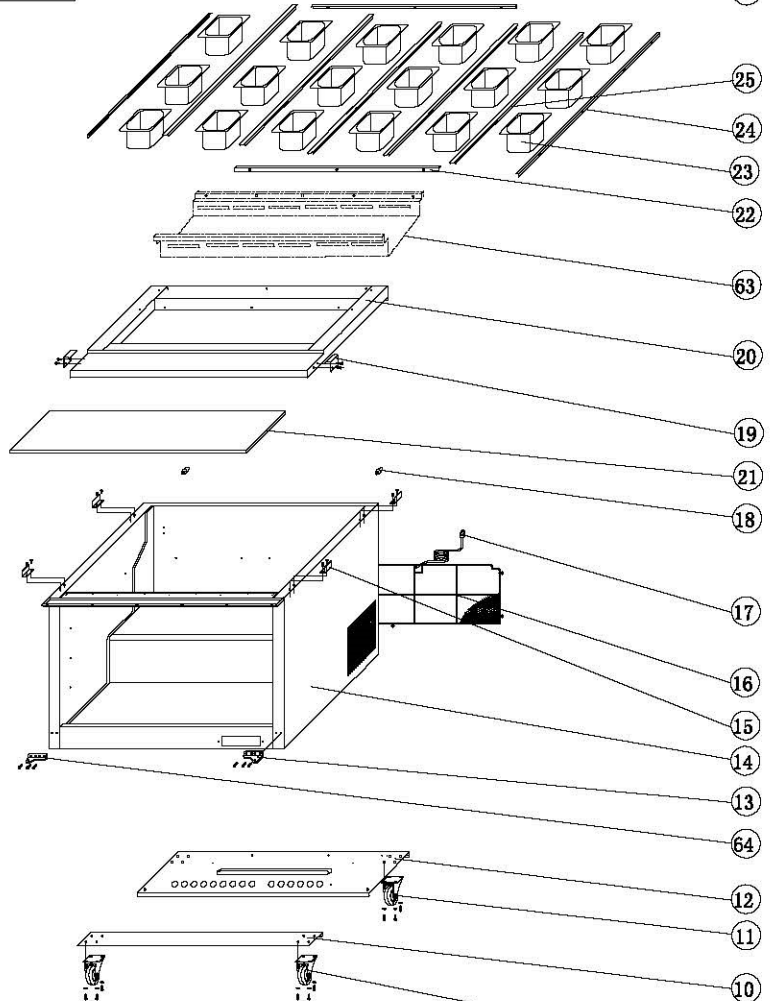
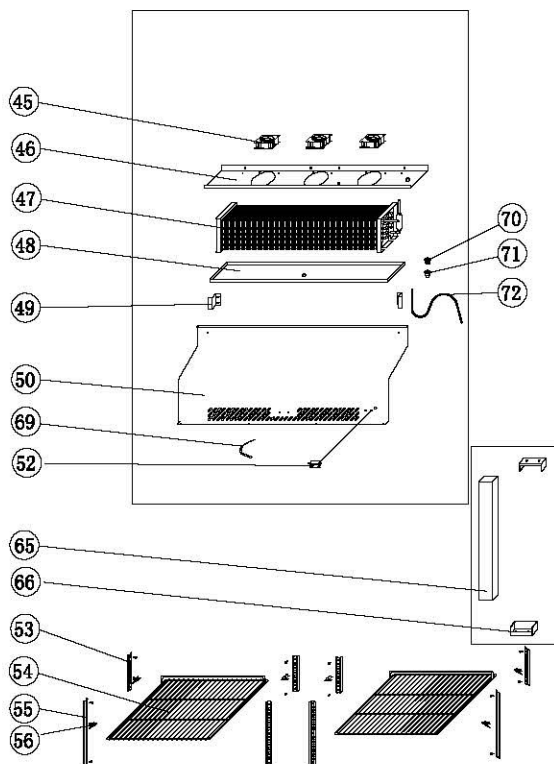
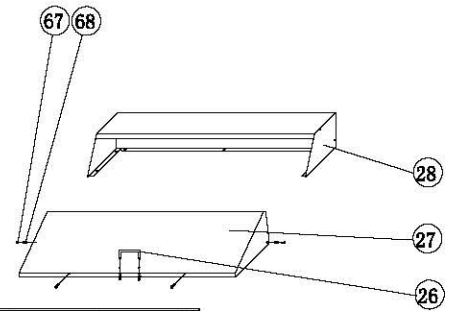
## Model S48-HC

NO.	PART #	DESCRIPTION	QTY.
1	H108060074	CONTROLLER PROTECTION COVER	1
2	H00219-2	CONTROLLER, DIXELL XR20CX, REFRIGERATOR	1
4	NON STOCKING	CONTROLLER MOUNTING BRACKET *	1
7	NON STOCKING	CONTROLLER CHANEL *	1
9	H01316	SWIVEL CASTER W/BRAKE 2.5"	2
10	NON STOCKING	BASE CHANEL	1
11	H01317	SWIVEL CASTER W/O BRAKE 2.5"	2
12	NON STOCKING	REAR BASE PANEL	1
13	C02327RB	HINGE, LOWER RIGHT	1
14	N/A	BODY	1
15	N/A	TOP BRACKET	4
16	N/A	REAR CONDENSER GUARD	1
17	C2194681	POWER CORD, 18AWG/NEMA 5-15P	1
18	H02315	REAR WALL SPACER	2
19	H02382	CUTTING BOARD MOUNTING BRACKET	2
20	N/A	MAIN TOP	1
21	H01244	CUTTING BOARD S48	1
22	H04377	PAN SUPPORT FRONT/REAR	2
23	H01268	STANDARD PAN 1/6	12
24	H02678	PAN SUPPORT LEFT/RIGHT	2
25	H00377	PAN SUPPORT	5
26	H00376	HANDLE FOR LID	1
27	H00372	LID W INSULATION & LINER - S48	1
27	COMES WITH LID	LINER	1
27	COMES WITH LID	LID INSULATION BOARD	1
28	H00369	HOOD W/INSULATION AND LINER S48	1
28	COMES WITH HOOD	LINER	1
28	COMES WITH HOOD	INSULATION BOARD	1
29	HC0341	CONDENSER COIL	1
30	H00341	FILTER DRIER	1
31	N/A	FILTER DRIER SUPPORT BRACKET	1
32	H01302	CAP TUBE (.055" X 118.11")	1
33	H00125	MOTOR, CONDENSER FAN, BD03-04/C06 (5W, 600 RPM)	1
33	HC0117-1	FAN BLADE	1
34	RD00111	GRILL, CONDENSER FAN GUARD	1
35	HC0163	EVAPORATOR PIPE	1
36	C30014	CONDENSER DRAIN BOX	1
36	NON STOCKING	DRAIN BOX BRACKET	1
36	N/A	DRAIN BRACKET	1
37	H00039F	COMPRESSOR (EM2X3125U) W/FILTER DRIER	1
37	H00228	START KIT FOR EM2X3125U (SUPPLIED WITH COMPRESSOR)	1
38	HC0155	SUCCTION PIPE	1
39	NON STOCKING	SUPPORT BRACKET *	1
40	NON STOCKING	TERMINAL BLOCK COVER	1
41	N/A	COVER	1
45	H01110	MOTOR BOX STYLE EVAP. FAN, (120VAC, 6W, 3100RPM)	3
46	NON STOCKING	EVAPORATOR FAN SUPPORT PANEL	1
47	HC1350F	EVAPORATOR COIL	1
48	H01143	EVAPORATOR DRAIN PAN (36.25" X 5" X 1") *	1
49	N/A	EVAPORATOR COVER SUPPORT	2
50	H01152	EVAPORATOR COVER *	1
52	H00335	SENSOR CLIP	1
53	H03342	PILASTER	4
54	H01309	SHELF, (21.18" X 16.73")	2
55	H01342	PILASTER	4
56	C3234860	SHELF CLIP	8
57	C01327	HINGE, TOP LEFT	1
58	C02327	HINGE, TOP RIGHT	1
59	H00327B	HINGE BUSHING	2
60	HC2325	GASKET, DOOR	2
61	HC1324	DOOR, LEFT OR RIGHT	2
62	H00328-1	HINGE CARTRIDGE, SELF CLOSING	2
63	H01401	CRUMB/DRIP SHIELD *	1
64	C01327LB	HINGE, LOWER LEFT	1
65	HC00120	CENTER MULLION	1
66	HC00115	CENTER MULLION BRACKET	2
67	H00356	LID PIVOT PIN	2
68	H00355	DEFORMED NUT, LID	2
69	H00205	TEMPERATURE SENOR NTC TYPE (118" LONG)	1
70	G30001	DRAIN PIPE FITTING	2
71	G30001F	DRAIN CONNECTOR	1
72	HC0396	DRAIN TUBING	1
		* NON STOCKING PART	

# MODEL S48-SI-HC



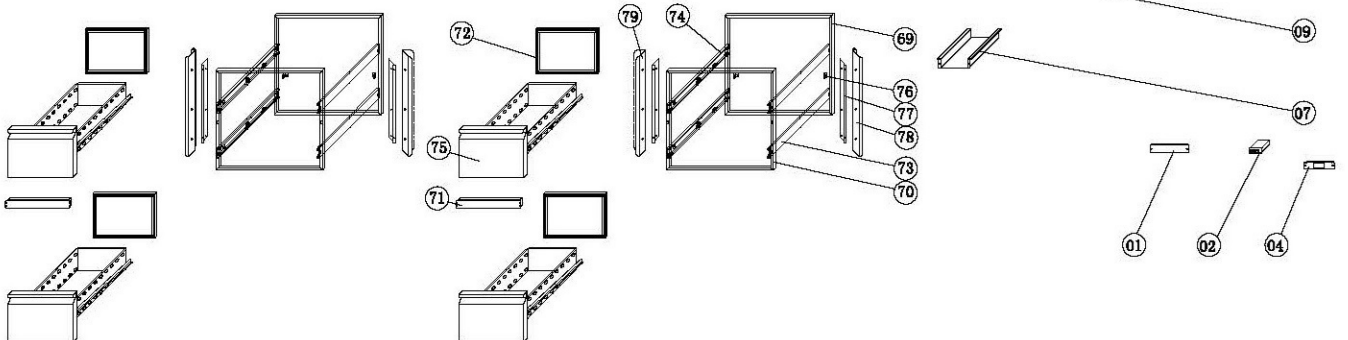
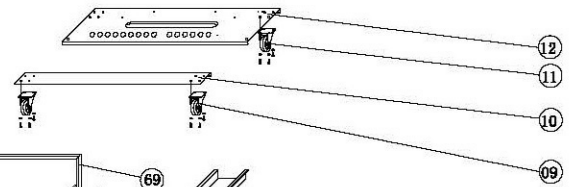
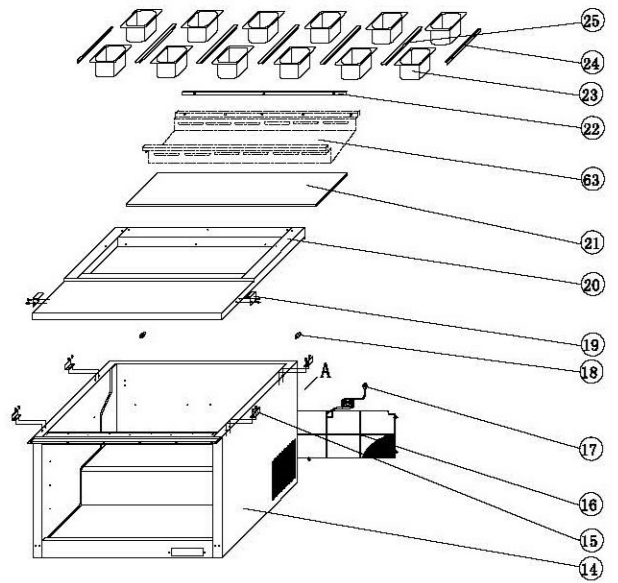
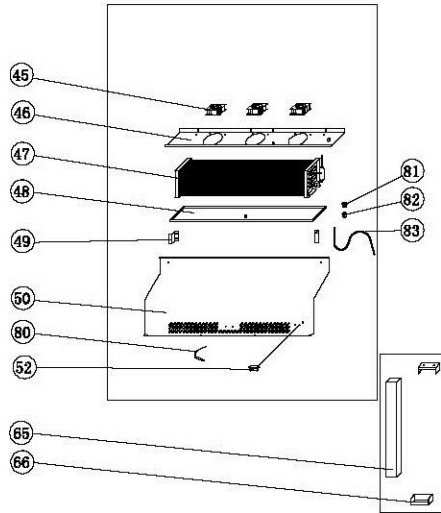
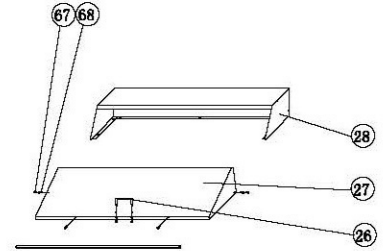
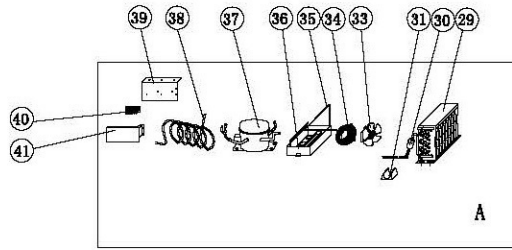
A



**Model S48-SI-HC**  
(SI - Stainless Steel Interior)

NO.	PART #	DESCRIPTION	QTY.
1	H108060074	CONTROLLER PROTECTION COVER	1
2	H00219-2	CONTROLLER, DIXELL XR20CX, REFRIGERATOR	1
4	NON STOCKING	CONTROLLER MOUNTING BRACKET *	1
7	NON STOCKING	CONTROLLER CHANEL *	1
9	H01316	SWIVEL CASTER W/BRAKE 2.5"	2
10	NON STOCKING	BASE CHANEL	1
11	H01317	SWIVEL CASTER W/O BRAKE 2.5"	2
12	NON STOCKING	REAR BASE PANEL	1
13	C02327RB	HINGE, LOWER RIGHT	1
14	N/A	BODY	1
15	N/A	TOP BRACKET	4
16	N/A	REAR CONDENSER GUARD	1
17	C2194681	POWER CORD, 18AWG/NEMA 5-15P	1
18	H02315	REAR WALL SPACER	2
19	H02382	CUTTING BOARD MOUNTING BRACKET	2
20	N/A	MAIN TOP	1
21	H01244	CUTTING BOARD S48	1
22	H04377	PAN SUPPORT FRONT/REAR	2
23	H01268	STANDARD PAN 1/6	12
24	H02678	PAN SUPPORT LEFT/RIGHT	2
25	H00377	PAN SUPPORT	5
26	H00376	HANDLE FOR LID	1
27	H00372S	LID W INSULATION & SS LINER - S48	1
27	COMES WITH LID	LINER	1
27	COMES WITH LID	LID INSULATION BOARD	1
28	H00369S	HOOD W/INSULATION AND SS LINER S48	1
28	COMES WITH HOOD	LINER	1
28	COMES WITH HOOD	INSULATION BOARD	1
29	HC0341	CONDENSER COIL	1
30	H00341	FILTER DRIER	1
31	N/A	FILTER DRIER SUPPORT BRACKET	1
32	H01302	CAP TUBE (.055" X 118.11")	1
33	H00125	MOTOR, CONDENSER FAN, BD03-04/C06 (5W, 600 RPM)	1
33	HC0117-1	FAN BLADE	1
34	RD00111	GRILL, CONDENSER FAN GUARD	1
35	HC0163	EVAPORATOR PIPE	1
36	C30014	CONDENSER DRAIN BOX	1
36	NON STOCKING	DRAIN BOX BRACKET	1
36	N/A	DRAIN BRACKET	1
37	H00039F	COMPRESSOR (EM2X3125U) W/FILTER DRIER	1
37	H00228	START KIT FOR EM2X3125U (SUPPLIED WITH COMPRESSOR)	1
38	HC0155	SUCCTION PIPE	1
39	NON STOCKING	SUPPORT BRACKET *	1
40	NON STOCKING	TERMINAL BLOCK COVER	1
41	N/A	COVER	1
45	H01110	MOTOR BOX STYLE EVAP. FAN, (120VAC, 6W, 3100RPM)	3
46	NON STOCKING	EVAPORATOR FAN SUPPORT PANEL	1
47	HC1350F	EVAPORATOR COIL	1
48	H01143	EVAPORATOR DRAIN PAN (36.25" X 5" X 1") *	1
49	N/A	EVAPORATOR COVER SUPPORT	2
50	H01152S	EVAPORATOR COVER (SS) *	1
52	H03335	SENSOR CLIP	1
53	H03342	PILASTER	4
54	H01309	SHELF, (21.18" X 16.73")	2
55	H01342	PILASTER	4
56	C3234860	SHELF CLIP	8
57	C01327	HINGE, TOP LEFT	1
58	C02327	HINGE, TOP RIGHT	1
59	H00327B	HINGE BUSHING	2
60	HC2325	GASKET, DOOR	2
61	HC1324S	DOOR, LEFT OR RIGHT (SS INTERIOR)	2
62	H00328-1	HINGE CARTRIDGE, SELF CLOSING	2
63	H01401S	CRUMB/DRIP SHIELD (SS) *	1
64	C01327LB	HINGE, LOWER LEFT	1
65	HC00120	CENTER MULLION	1
66	HC00115	CENTER MULLION BRACKET	2
67	H00356	LID PIVOT PIN	2
68	H00355	DEFORMED NUT, LID	2
69	H00205	TEMPERATURE SENOR NTC TYPE (118" LONG)	1
70	G30001	DRAIN PIPE FITTING	1
71	G30001F	DRAIN CONNECTOR	1
72	HC0396	DRAIN TUBING	1
		* NON STOCKING PART	

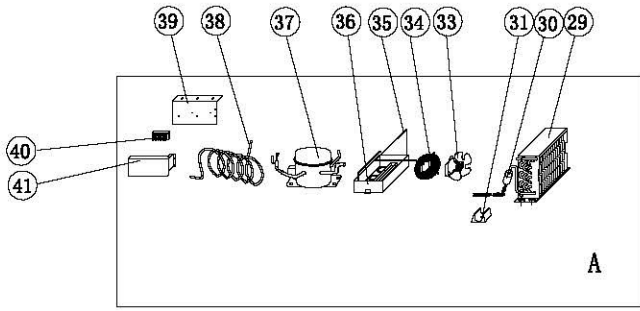
# MODEL S48-4D-HC



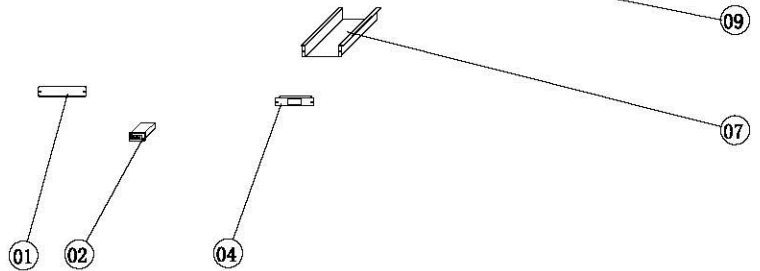
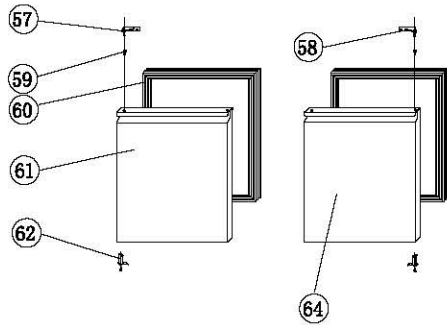
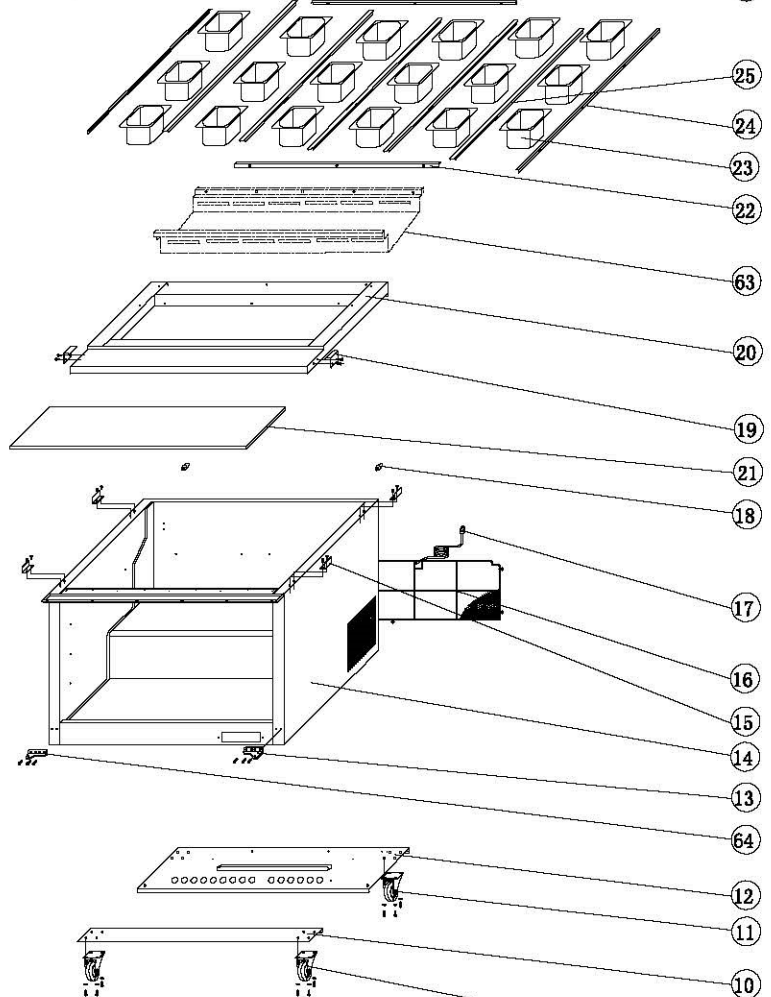
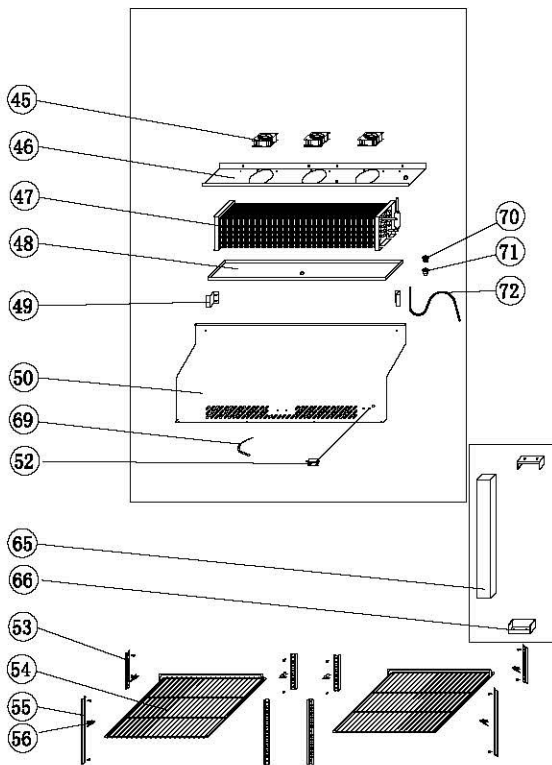
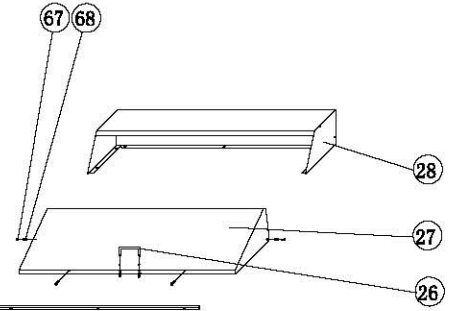
## Model S48-4D-HC

NO.	PART #	DESCRIPTION	QTY.
1	H108060074	CONTROLLER PROTECTION COVER	1
2	H00219-2	CONTROLLER, DIXELL XR20CX, REFRIGERATOR	1
4	NON STOCKING	CONTROLLER MOUNTING BRACKET *	1
7	NON STOCKING	CONTROLLER CHANEL *	1
9	H01316	SWIVEL CASTER W/BRAKE 2.5"	2
10	NON STOCKING	BASE CHANEL	1
11	H01317	SWIVEL CASTER W/O BRAKE 2.5"	2
12	NON STOCKING	REAR BASE PANEL	1
14	N/A	BODY	1
15	N/A	TOP BRACKET	4
16	N/A	REAR CONDENSER GUARD	1
17	C2194681	POWER CORD, 18AWG/NEMA 5-15P	1
18	H02315	REAR WALL SPACER	2
19	H02382	CUTTING BOARD MOUNTING BRACKET	2
20	N/A	MAIN TOP	1
21	H01244	CUTTING BOARD S48	1
22	H04377	PAN SUPPORT FRONT/REAR	2
23	H01268	STANDARD PAN 1/6	12
24	H02678	PAN SUPPORT LEFT/RIGHT	2
25	H00377	PAN SUPPORT	5
26	H00376	HANDLE FOR LID	1
27	H00372	LID W INSULATION & LINER - S48	1
27	COMES WITH LID	LINER	1
27	COMES WITH LID	LID INSULATION BOARD	1
28	H00369	HOOD W/INSULATION AND LINER S48	1
28	COMES WITH HOOD	LINER	1
28	COMES WITH HOOD	INSULATION BOARD	1
29	HC0341	CONDENSER COIL	1
30	H00341	FILTER DRIER	1
31	N/A	FILTER DRIER SUPPORT BRACKET	1
32	H01302	CAP TUBE (.055" X 118.11")	1
33	H00125	MOTOR, CONDENSER FAN, BD03-04/C06 (5W, 600 RPM)	1
33	HC0117-1	FAN BLADE	1
34	RD00111	GRILL, CONDENSER FAN GUARD	1
35	HC0163	EVAPORATOR PIPE	1
36	C30014	CONDENSER DRIAN BOX	1
36	NON STOCKING	DRAIN BOX BRACKET	1
36	N/A	DRAIN BRACKET	1
37	H00039F	COMPRESSOR (EM2X3125U) W/FILTER DRIER	1
37	H00228	START KIT FOR EM2X3125U (SUPPLIED WITH COMPRESSOR)	1
38	HC0155	SUCITION PIPE	1
39	NON STOCKING	SUPPORT BRACKET *	1
40	NON STOCKING	TERMINAL BLOCK COVER	1
41	N/A	COVER	1
45	H01110	MOTOR BOX STYLE EVAP. FAN, (120VAC, 6W, 3100RPM)	3
46	NON STOCKING	EVAPORATOR FAN SUPPORT PANEL	1
47	HC1350F	EVAPORATOR COIL	1
48	H01143	EVAPORATOR DRAIN PAN (36.25" X 5" X 1") *	1
49	N/A	EVAPORATOR COVER SUPPORT	2
50	H01152	EVAPORATOR COVER *	1
52	H00335	SENSOR CLIP	1
63	H01401	CRUMB/DRIP SHIELD *	1
65	HC00120	CENTER MULLION	1
66	HC00115	CENTER MULLION BRACKET	2
67	H00356	LID PIVOT PIN	2
68	H00355	DEFORMED NUT, LID	2
69	RD4820	BACK FRAME	2
70	RD4823	FRONT FRAME	2
71	RD4805-1	BRIDGE	2
72	RD4802-1	GASKET, DRAWER	4
73	RD0002	GUIDE (RIGHT)	4
74	RD0001	GUIDE (LEFT)	4
75	RD4806-1	DRAWER FRONT PANEL ONLY	4
75	RD4806	DRAWER	4
76	RD2921-1	FRAME FIXED CLIP	4
77	RD2922-1	DRAWER SUPPORT	4
78	RD2924	FRONT SUPPORT	2
79	RD2925	INSIDE SUPPORT	2
80	H00205	TEMPERATURE SENOR NTC TYPE (118" LONG)	1
81	G30001	DRAIN PIPE FITTING	1
82	G30001F	DRAIN CONNECTOR	1
83	HC0396	DRAIN TUBING	1
		* NON STOCKING PART	

# MODEL S48-MT-HC



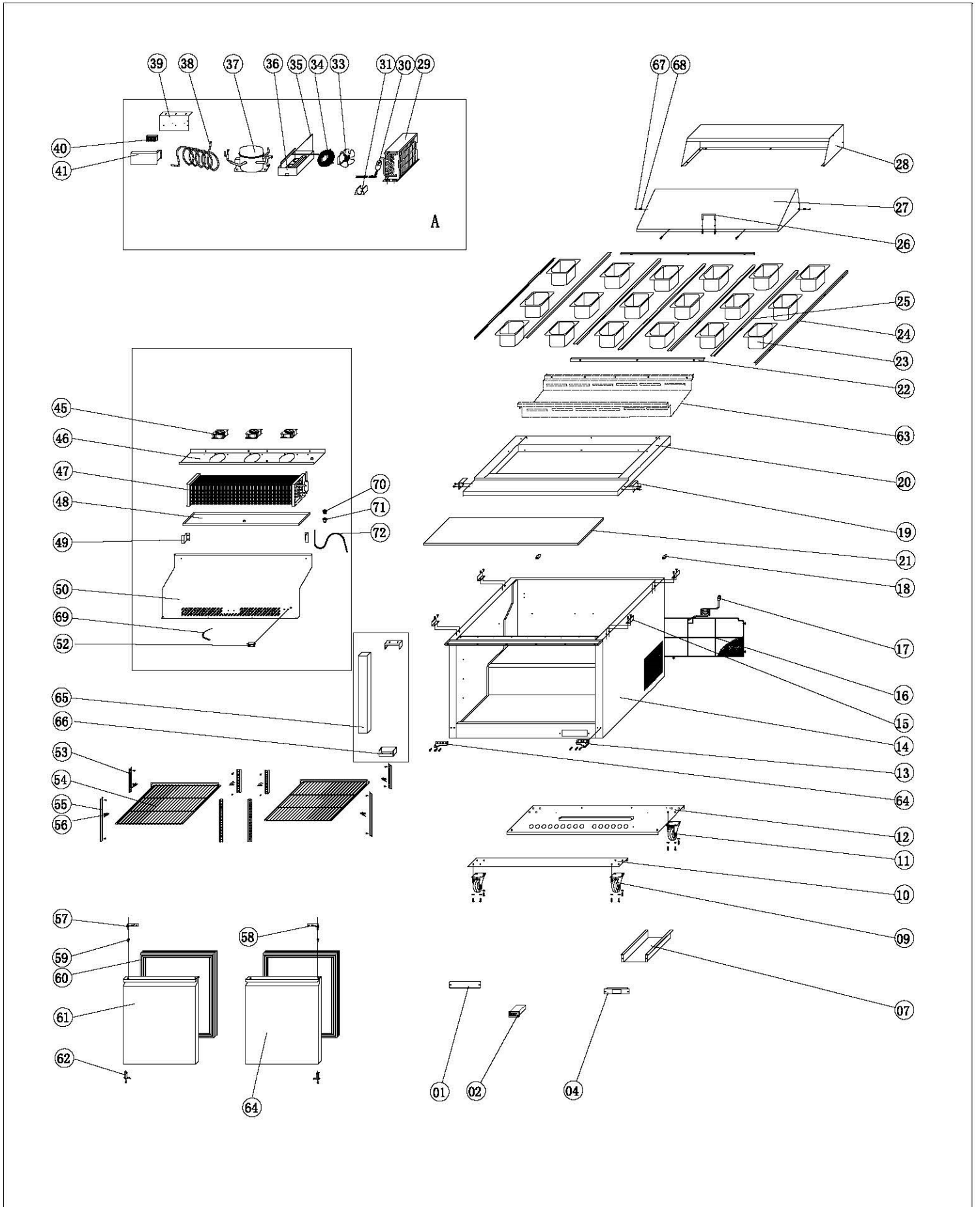
A



## Model S48-MT-HC

NO.	PART #	DESCRIPTION	QTY.
1	H108060074	CONTROLLER PROTECTION COVER	1
2	H00219-2	CONTROLLER, DIXELL XR20CX, REFRIGERATOR	1
4	NON STOCKING	CONTROLLER MOUNTING BRACKET *	1
7	NON STOCKING	CONTROLLER CHANEL *	1
9	H01316	SWIVEL CASTER W/BRAKE 2.5"	2
10	NON STOCKING	BASE CHANEL	1
11	H01317	SWIVEL CASTER W/O BRAKE 2.5"	2
12	NON STOCKING	REAR BASE PANEL	1
13	C02327RB	HINGE, LOWER RIGHT	1
14	N/A	BODY	1
15	N/A	TOP BRACKET	4
16	N/A	REAR CONDENSER GUARD	1
17	C2194681	POWER CORD, 18AWG/NEMA 5-15P	1
18	H02315	REAR WALL SPACER	2
19	H02382	CUTTING BOARD MOUNTING BRACKET	2
20	N/A	MAIN TOP	1
21	H02244	CUTTING BOARD S48-MT	1
22	H04477	PAN SUPPORT FRONT/REAR	2
23	H01268	STANDARD PAN 1/6	18
24	H02578	PAN SUPPORT LEFT/RIGHT	1
24	H02378	PAN SUPPORT /LEFT/RIGHT	1
25	H02377	PAN SUPPORT	6
26	H00376	HANDLE FOR LID	1
27	H01372	LID W/INSULATION & LINER 48MT	1
27	COMES WITH LID	LINER	1
27	COMES WITH LID	INSULATION BOARD	1
27	COMES WITH LID	LINER	1
28	H01369	HOOD W/INSULATION AND LINER 48MT	1
28	COMES WITH HOOD	LINER	1
28	COMES WITH HOOD	INSULATION BOARD	1
29	HC0341	CONDENSER COIL	1
30	H00341	FILTER DRIER	1
31	N/A	FILTER DRIER SUPPORT BRACKET	1
32	H01302	CAP TUBE (.055" X 118.11")	1
33	H00125	MOTOR, CONDENSER FAN, BD03-04/C06 (5W, 600 RPM)	1
33	HC0117-1	FAN BLADE	1
34	RD00111	GRILL, CONDENSER FAN GUARD	1
35	HC0163	EVAPORATE PIPE	1
36	C30014	CONDENSER DRIAN BOX	1
36	NON STOCKING	DRAIN BOX BRACKET	1
36	N/A	DRAIN BRACKET	1
37	H00039F	COMPRESSOR (EM2X3125U) W/FILTER DRIER	1
37	H00228	START KIT FOR EM2X3125U (SUPPLIED WITH COMPRESSOR)	1
38	HC0155	SUCITION PIPE	1
39	NON STOCKING	SUPPORT BRACKET *	1
40	NON STOCKING	TERMINAL BLOCK COVER	1
41	N/A	COVER	1
45	H01110	MOTOR BOX STYLE EVAP. FAN, (120VAC, 6W, 3100RPM)	3
46	NON STOCKING	EVAPORATOR FAN SUPPORT PANEL	1
47	HC1350F	EVAPORATOR COIL	1
48	H01143	EVAPORATOR DRAIN PAN (36.25" X 5" X 1") *	1
49	N/A	EVAPORATOR COVER SUPPORT	2
50	H01152	EVAPORATOR COVER *	1
52	H00335	SENSOR CLIP	1
53	H03342	PILASTER	4
54	H01309	SHELF, (21.18" X 16.73")	2
55	H01342	PILASTER	4
56	C3234860	SHELF CLIP	8
57	C01327	HINGE, TOP LEFT	1
58	C02327	HINGE, TOP RIGHT	1
59	H00327B	HINGE BUSHING	2
60	HC2325	GASKET, DOOR	2
61	HC1324	DOOR, LEFT OR RIGHT	2
62	H00328-1	HINGE CARTRIDGE, SELF CLOSING	2
63	H01411	CRUMB/DRIP SHIELD *	1
64	C01327LB	HINGE, LOWER LEFT	1
65	HC00120	CENTER MULLION	1
66	HC00115	CENTER MULLION BRACKET	2
67	H00356	LID PIVOT PIN	2
68	H00355	DEFORMED NUT, LID	2
69	H00205	TEMPERATURE SENOR NTC TYPE (118" LONG)	2
70	G30001	DRAIN PIPE FITTING	1
71	G30001F	DRAIN CONNECTOR	1
72	HC0396	DRAIN TUBING	1
		* NON STOCKING PART	

# MODLE S48-MT-SI-HC

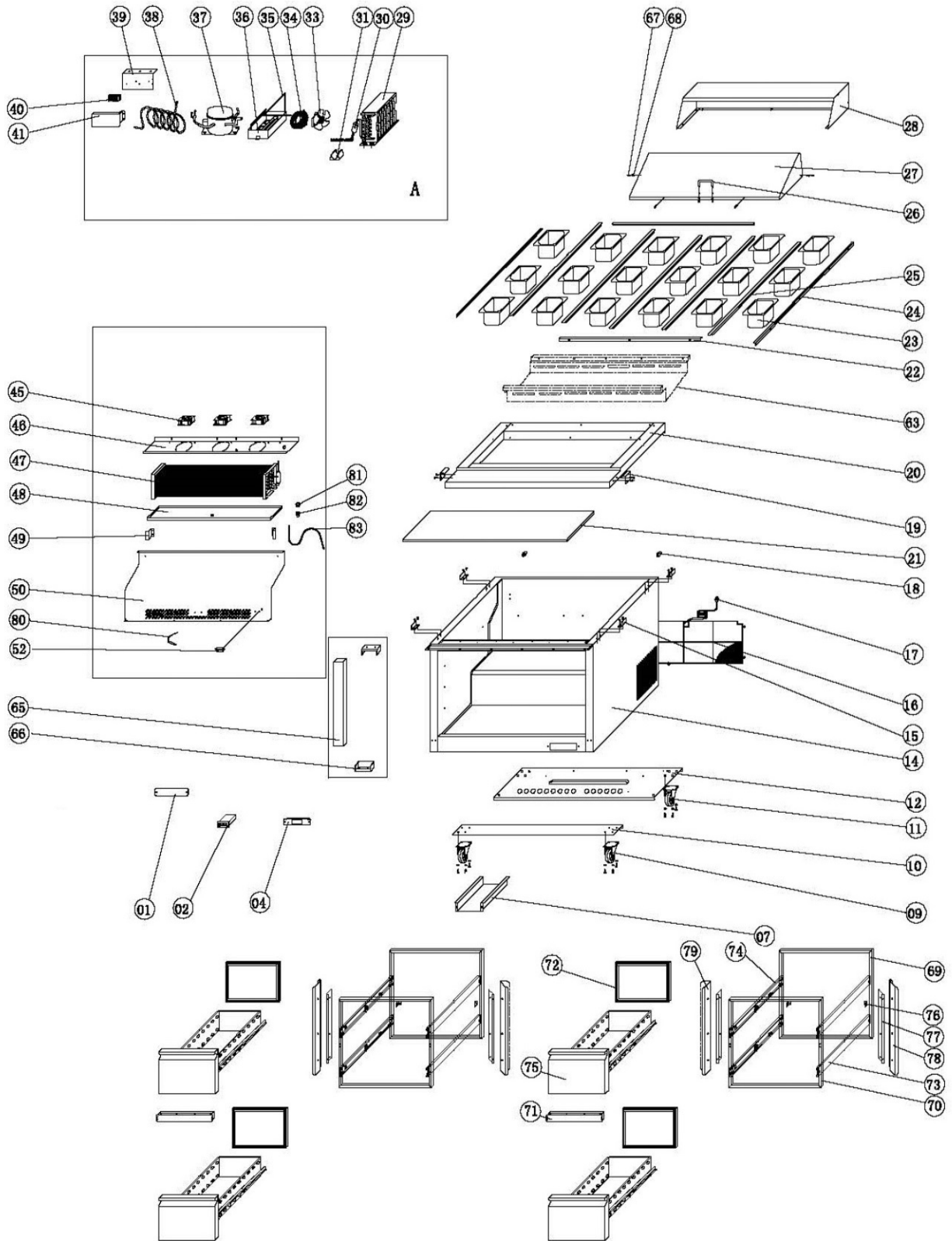


## Model S48-MT-SI-HC

(SI - Stainless Steel Interior)

NO.	PART #	DESCRIPTION	QTY.
1	H108060074	CONTROLLER PROTECTION COVER	1
2	H00219-2	CONTROLLER, DIXELL XR20CX, REFRIGERATOR	1
4	NON STOCKING	CONTROLLER MOUNTING BRACKET *	1
7	NON STOCKING	CONTROLLER CHANEL *	1
9	H01316	SWIVEL CASTER W/BRAKE 2.5"	2
10	NON STOCKING	BASE CHANEL	1
11	H01317	SWIVEL CASTER W/O BRAKE 2.5"	2
12	NON STOCKING	REAR BASE PANEL	1
13	C02327RB	HINGE, LOWER RIGHT	1
14	N/A	BODY	1
15	N/A	TOP BRACKET	4
16	N/A	REAR CONDENSER GUARD	1
17	C2194681	POWER CORD, 18AWG/NEMA 5-15P	1
18	H02315	REAR WALL SPACER	2
19	H02382	CUTTING BOARD MOUNTING BRACKET	2
20	N/A	MAIN TOP	1
21	H02244	CUTTING BOARD S48-MT	1
22	H04477	PAN SUPPORT FRONT/REAR	2
23	H01268	STANDARD PAN 1/6	18
24	H02578	PAN SUPPORT LEFT/RIGHT	1
24	H02378	PAN SUPPORT /LEFT/RIGHT	1
25	H02377	PAN SUPPORT	6
26	H00376	HANDLE FOR LID	1
27	H01372S	LID W/INSULATION AND SS LINER, S48MT	1
27	COMES WITH LID	LINER	1
27	COMES WITH LID	INSULATION BOARD	1
27	COMES WITH LID	LINER	1
28	H01369S	HOOD W/INSULATION AND SS LINER 48MT	1
28	COMES WITH HOOD	LINER	1
28	COMES WITH HOOD	INSULATION BOARD	1
29	HC0341	CONDENSER COIL	1
30	H00341	FILTER DRIER	1
31	N/A	FILTER DRIER SUPPORT BRACKET	1
32	H01302	CAP TUBE (.055" X 118.11")	1
33	H00125	MOTOR, CONDENSER FAN, BD03-04/C06 (5W, 600 RPM)	1
33	HC0117-1	FAN BLADE	1
34	RD00111	GRILL, CONDENSER FAN GUARD	1
35	HC0163	EVAPORATE PIPE	1
36	C30014	CONDENSER DRIAN BOX	1
36	NON STOCKING	DRAIN BOX BRACKET	1
36	N/A	DRAIN BRACKET	1
37	H00039F	COMPRESSOR (EM2X3125U) W/FILTER DRIER	1
37	H00228	START KIT FOR EM2X3125U (SUPPLIED WITH COMPRESSOR)	1
38	HC0155	SUCITION PIPE	1
39	NON STOCKING	SUPPORT BRACKET *	1
40	NON STOCKING	TERMINAL BLOCK COVER	1
41	N/A	COVER	1
45	H01110	MOTOR BOX STYLE EVAP. FAN, (120VAC, 6W, 3100RPM)	3
46	NON STOCKING	EVAPORATOR FAN SUPPORT PANEL	1
47	HC1350F	EVAPORATOR COIL	1
48	H01143	EVAPORATOR DRAIN PAN (36.25" X 5" X 1") *	1
49	N/A	EVAPORATOR COVER SUPPORT	2
50	H01152S	EVAPORATOR COVER (SS) *	1
52	H03335	SENSOR CLIP	1
53	H03342	PILASTER	4
54	H01309	SHELF, (21.18" X 16.73")	2
55	H01342	PILASTER	4
56	C3234860	SHELF CLIP	8
57	C01327	HINGE, TOP LEFT	1
58	C02327	HINGE, TOP RIGHT	1
59	H00327B	HINGE BUSHING	2
60	HC2325	GASKET, DOOR	2
61	HC1324S	DOOR, LEFT OR RIGHT (SS INTERIOR)	2
62	H00328-1	HINGE CARTRIDGE, SELF CLOSING	2
63	H01411S	CRUMB/D RIP SHIELD (SS) *	1
64	C01327LB	HINGE, LOWER LEFT	1
65	HC00120	CENTER MULLION	1
66	HC00115	CENTER MULLION BRACKET	2
67	H00356	LID PIVOT PIN	2
68	H00355	DEFORMED NUT, LID	2
69	H00205	TEMPERATURE SENOR NTC TYPE (118" LONG)	1
70	G30001	DRAIN PIPE FITTING	1
71	G30001F	DRAIN CONNECTOR	1
72	HC0396	DRAIN TUBING	1
		* NON STOCKING PART	

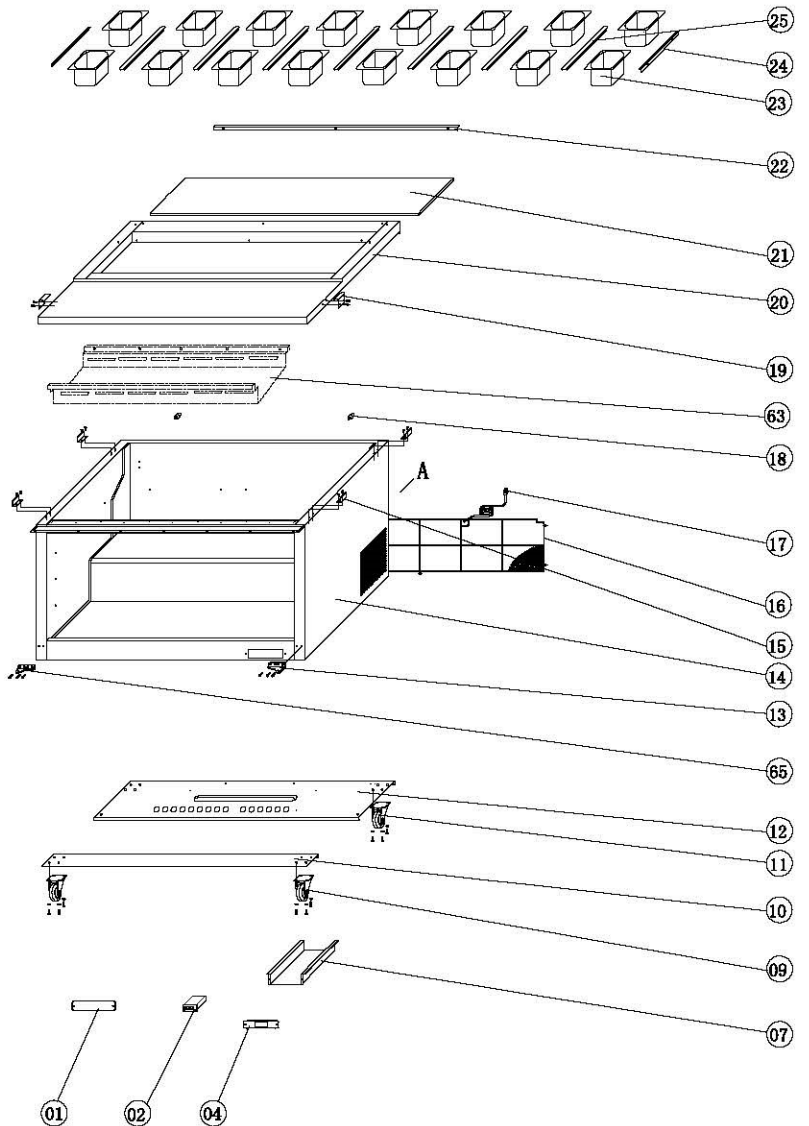
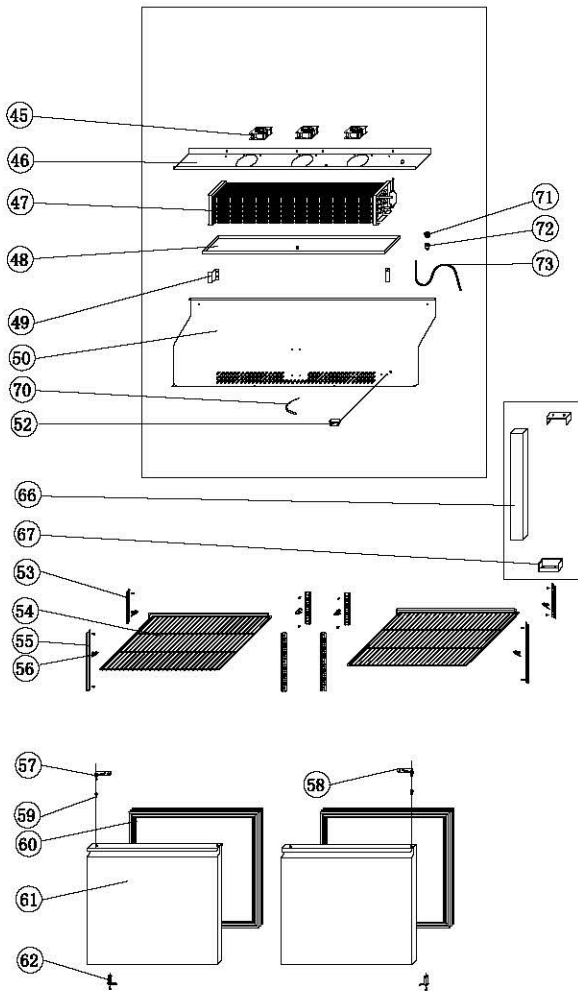
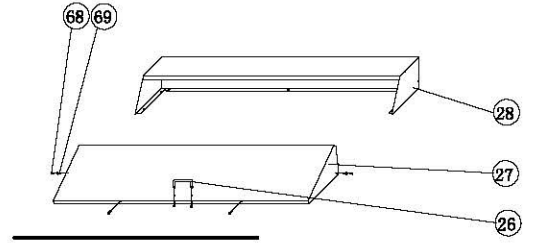
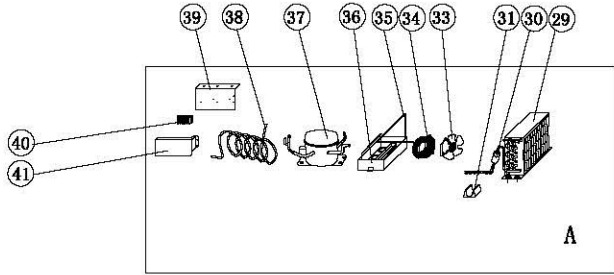
# MODEL S48-MT-4D-HC



## Model S48-MT-4D-HC

NO.	PART #	DESCRIPTION	QTY.
1	H108060074	CONTROLLER PROTECTION COVER	1
2	H00219-2	CONTROLLER, DIXELL XR20CX, REFRIGERATOR	1
4	NON STOCKING	CONTROLLER MOUNTING BRACKET *	1
7	NON STOCKING	CONTROLLER CHANEL *	1
9	H01316	SWIVEL CASTER W/BRAKE 2.5"	2
10	NON STOCKING	BASE CHANEL	1
11	H01317	SWIVEL CASTER W/O BRAKE 2.5"	2
12	NON STOCKING	REAR BASE PANEL	1
14	N/A	BODY	1
15	N/A	TOP BRACKET	4
16	N/A	REAR CONDENSER GUARD	1
17	C2194681	POWER CORD, 18AWG/NEMA 5-15P	1
18	H02315	REAR WALL SPACER	2
19	H02382	CUTTING BOARD MOUNTING BRACKET	2
20	N/A	MAIN TOP	1
21	H02244	CUTTING BOARD S48-MT	1
22	H04477	PAN SUPPORT FRONT/REAR	2
23	H01268	STANDARD PAN 1/6	18
24	H02578	PAN SUPPORT LEFT/RIGHT	1
24	H02378	PAN SUPPORT /LEFT/RIGHT	1
25	H02377	PAN SUPPORT	6
26	H00376	HANDLE FOR LID	1
27	H01372	LID W/INSULATION& LINER	1
27	COMES WITH LID	LID LINER	1
27	COMES WITH LID	LID INSULATION BOARD	1
27	COMES WITH LID	LINER	1
28	H01369	HOOD W/INSULATION AND LINER 48MT	1
28	COMES WITH HOOD	LINER	1
28	COMES WITH HOOD	INSULATION BOARD	1
29	HC0341	CONDENSER COIL	1
30	H00341	FILTER DRIER	1
31	N/A	FILTER DRIER SUPPORT BRACKET	1
32	H01302	CAP TUBE (.055" X 118.11")	1
33	H00125	MOTOR, CONDENSER FAN, BD03-04/C06 (5W, 600 RPM)	1
33	HC0117-1	FAN BLADE	1
34	RD00111	GRILL, CONDENSER FAN GUARD	1
35	HC0163	EVAPORATOR PIPE	1
36	C30014	CONDENSER DRIAN BOX	1
36	NON STOCKING	DRAIN BOX BRACKET	1
36	N/A	DRAIN BRACKET	1
37	H00039F	COMPRESSOR (EM2X3125U) W/FILTER DRIER	1
37	H00228	START KIT FOR EM2X3125U (SUPPLIED WITH COMPRESSOR)	1
38	HC0155	SUCCTION PIPE	1
39	NON STOCKING	SUPPORT BRACKET *	1
40	NON STOCKING	TERMINAL BLOCK COVER	1
41	N/A	COVER	1
45	H01110	MOTOR BOX STYLE EVAP. FAN, (120VAC, 6W, 3100RPM)	3
46	NON STOCKING	EVAPORATOR FAN SUPPORT PANEL	1
47	HC1350F	EVAPORATOR COIL	1
48	H01143	EVAPORATOR DRAIN PAN (36.25" X 5" X 1") *	1
49	N/A	EVAPORATOR COVER SUPPORT	2
50	H01152	EVAPORATOR COVER *	1
52	H00335	SENSOR CLIP	1
63	H01411	CRUMB/DRIP SHIELD *	1
65	HC00120	CENTER MULLION	1
66	HC00115	CENTER MULLION BRACKET	1
67	H00356	LID PIVOT PIN	2
68	H00355	DEFORMED NUT, LID	2
69	RD4820	BACK FRAME	2
70	RD4823	FRONT FRAME	2
71	RD4805-1	BRIDGE	2
72	RD4802-1	GASKET, DRAWER	4
73	RD0002	GUIDE (RIGHT)	4
74	RD0001	GUIDE (LEFT)	4
75	RD4806-1	DRAWER FRONT PANEL ONLY	4
75	RD4806	DRAWER	4
76	RD2921-1	FRAME FIXED CLIP	4
77	RD2922-1	DRAWER SUPPORT	4
78	RD2924	FRONT SUPPORT	2
79	RD2925	INSIDE SUPPORT	2
80	H00205	TEMPERATURE SENOR NTC TYPE (118" LONG)	1
81	G30001	DRAIN PIPE FITTING	1
82	G30001F	DRAIN CONNECTOR	1
83	HC0396	DRAIN TUBING	1
		* NON STOCKING PART	

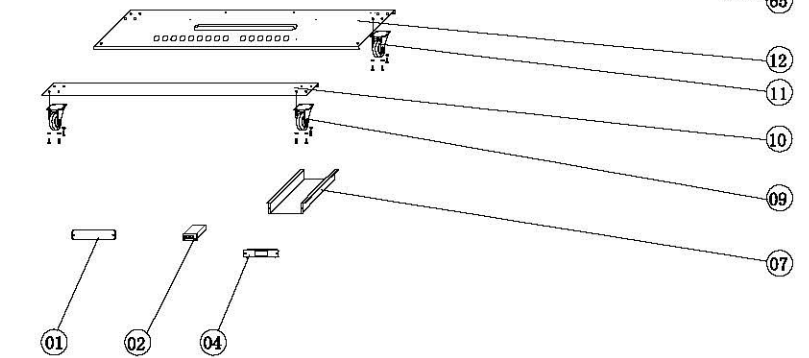
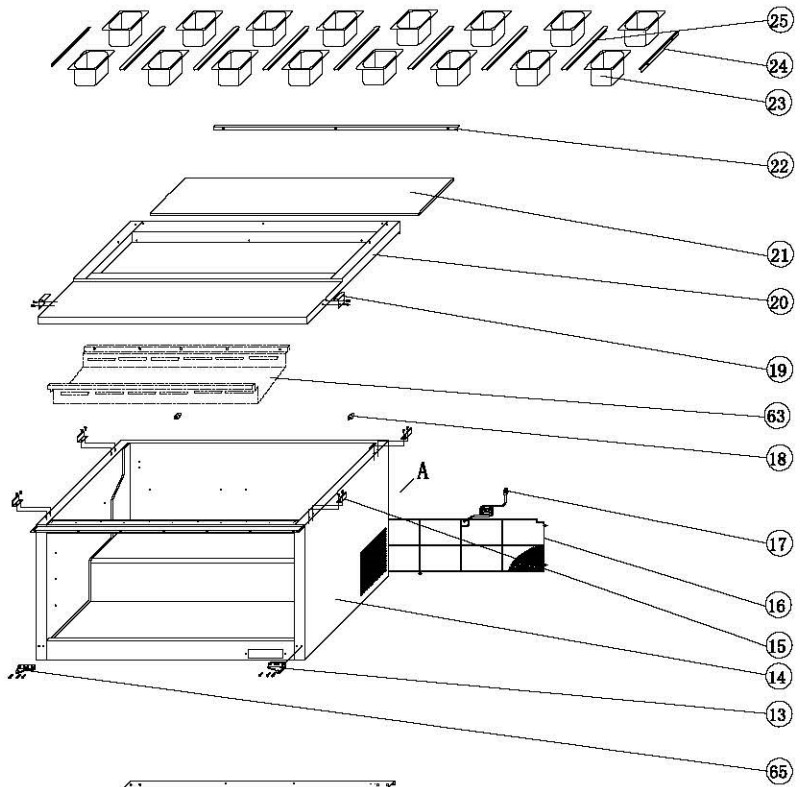
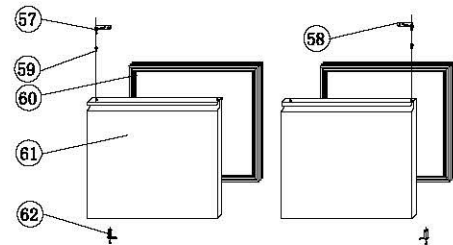
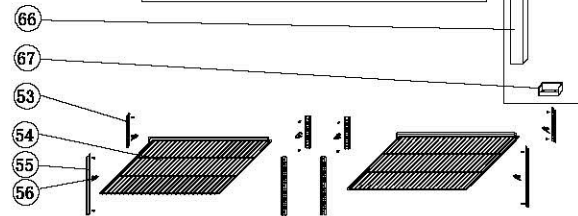
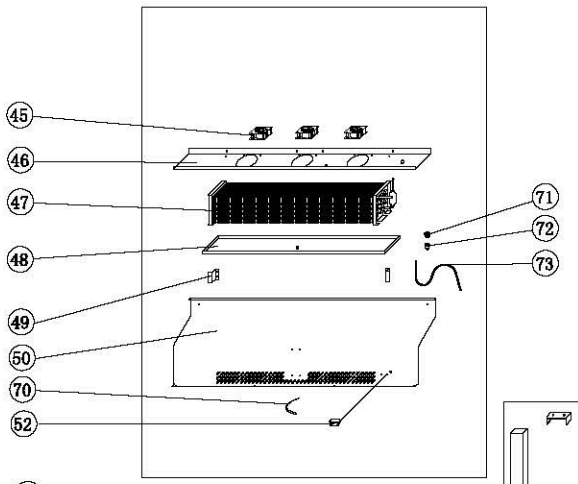
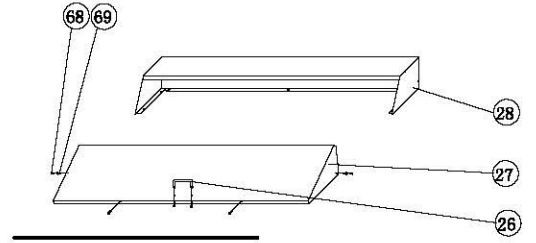
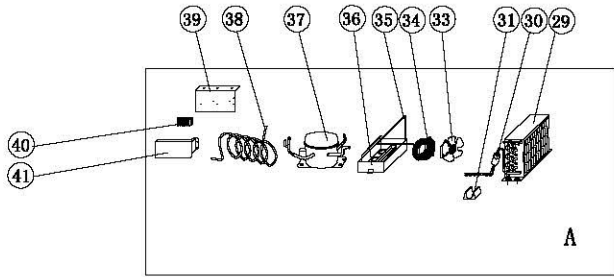
# MODE S61-HC



## Model S61-HC

NO.	PART #	DESCRIPTION	QTY.
1	H108060074	CONTROLLER PROTECTION COVER	1
2	H00219-2	CONTROLLER, DIXELL XR20CX, REFRIGERATOR	1
4	NON STOCKING	CONTROLLER MOUNTING BRACKET *	1
7	NON STOCKING	CONTROLLER CHANEL *	1
9	H01316	SWIVEL CASTER W/BRAKE 2.5"	2
10	NON STOCKING	BASE CHANEL	1
11	H01317	SWIVEL CASTER W/O BRAKE 2.5"	2
12	NON STOCKING	REAR BASE PANEL	1
13	C02327RB	HINGE, LOWER RIGHT	1
14	N/A	BODY	1
15	N/A	TOP BRACKET	4
16	N/A	REAR CONDENSER GUARD	1
17	C2194681	POWER CORD, 18AWG/NEMA 5-15P	1
18	H02315	REAR WALL SPACER	2
19	H02382	CUTTING BOARD MOUNTING BRACKET	2
20	N/A	MAIN TOP	1
21	H01245	CUTTING BOARD S60	1
22	H05377	PAN SUPPORT FRONT/REAR	2
23	H01268	STANDARD PAN 1/6	16
24	H02678	PAN SUPPORT LEFT/RIGHT	2
25	H00377	PAN SUPPORT	7
26	H00376	HANDLE FOR LID	1
27	H00373	LID W/INSULATION AND LINER S61	1
27	COMES WITH LID	LINER	1
27	COMES WITH LID	INSULATION BOARD	1
28	H00370	HOOD W/INSULATION AND LINER S60	1
28	COMES WITH HOOD	LINER	1
28	COMES WITH HOOD	INSULATION BOARD	1
29	HC0341	CONDENSER COIL	1
30	H00341	FILTER DRIER	1
31	N/A	FILTER DRIER SUPPORT BRACKET	1
32	H01302	CAP TUBE (.055" X 118.11")	1
33	H00125	MOTOR, CONDENSER FAN, BD03-04/C06 (5W, 600 RPM)	1
33	HC0117-1	FAN BLADE	1
34	RD00111	GRILL, CONDENSER FAN GUARD	1
35	HC0163	EVAPORATOR PIPE	1
36	C30014	CONDENSER DRIAN BOX	1
36	NON STOCKING	DRAIN BOX BRACKET	1
36	N/A	DRAIN BRACKET	1
37	H00039F	COMPRESSOR (EM2X3125U) W/FILTER DRIER	1
37	H00228	START KIT FOR EM2X3125U (SUPPLIED WITH COMPRESSOR)	1
38	HC0154	SUCTION PIPE	1
39	NON STOCKING	SUPPORT BRACKET *	1
40	NON STOCKING	TERMINAL BLOCK COVER	1
41	N/A	COVER	1
45	H01110	MOTOR BOX STYLE EVAP. FAN, (120VAC, 6W, 3100RPM)	3
46	NON STOCKING	EVAPORATOR FAN SUPPORT PANEL	1
47	HC1353F	EVAPORATOR COIL	1
48	H01144	EVAPORATOR DRAIN PAN (43.3" X 5" X 1")	1
49	N/A	EVAPORATOR COVER SUPPORT	2
50	H01153	EVAPORATOR COVER	1
52	H00335	SENSOR CLIP	1
53	H03342	PILASTER	4
54	H01310	SHELF, (27.68" X 16.73")	2
55	H01342	PILASTER	4
56	C3234860	SHELF CLIP	8
57	C01327	HINGE, TOP LEFT	1
58	C02327	HINGE, TOP RIGHT	1
59	H00327B	HINGE BUSHING	2
60	HC1326	GASKET, DOOR	2
61	HC2323	DOOR, LEFT OR RIGHT (PLASTIC LINER)	2
62	H00328-1	HINGE CARTRIDGE, SELF CLOSING	2
63	H01402	CRUMB/DRIP SHIELD *	1
65	C01327LB	HINGE, LOWER LEFT	1
66	HC00120	CENTER MULLION	1
67	HC00115	CENTER MULLION BRACKET	1
68	H00356	LID PIVOT PIN	2
69	H00355	DEFORMED NUT, LID	2
70	H00205	TEMPERATURE SENOR NTC TYPE (118" LONG)	2
71	G30001	DRAIN PIPE FITTING	1
72	G30001F	DRAIN CONNECTOR	1
73	HC0396	DRAIN TUBING	1
		* NON STOCKING PART	

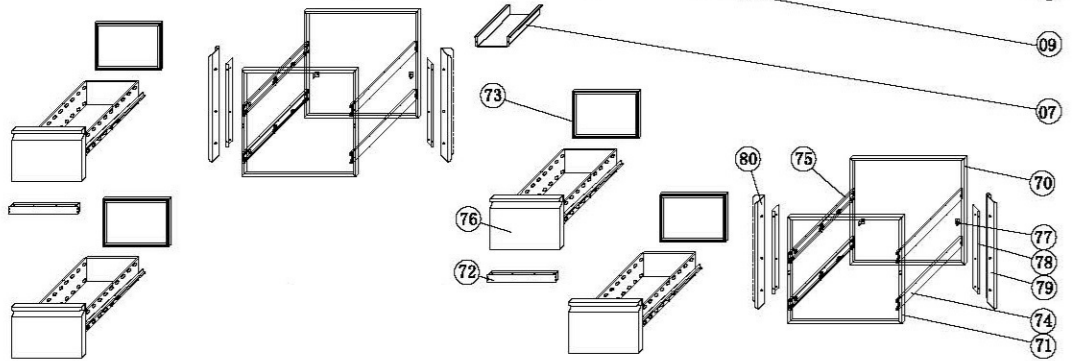
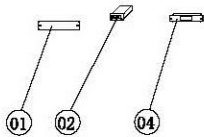
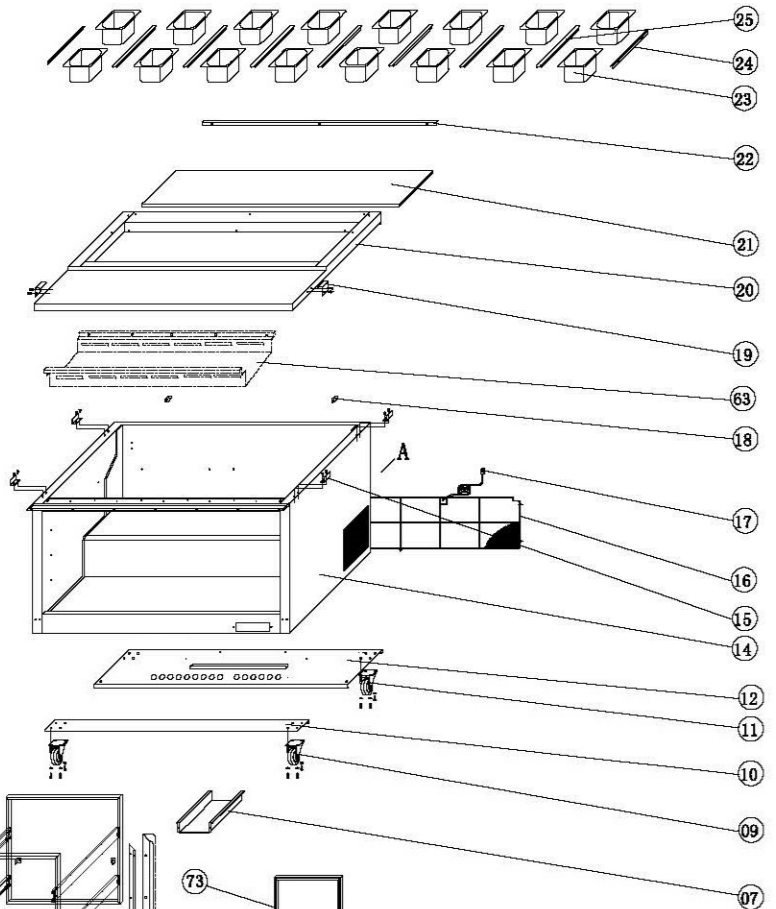
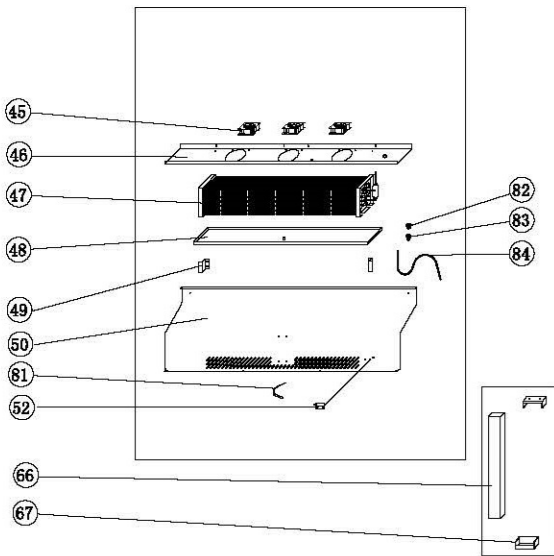
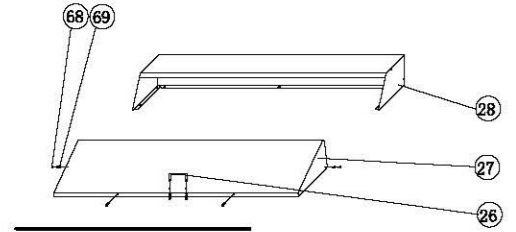
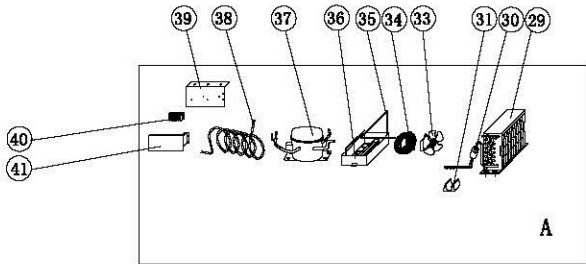
# MODEL S61-SI-HC



**Model S61-SI-HC**  
(SI - Stainless Steel Interior)

NO.	PART #	DESCRIPTION	QTY.
1	H108060074	CONTROLLER PROTECTION COVER	1
2	H00219-2	CONTROLLER, DIXELL XR20CX, REFRIGERATOR	1
4	NON STOCKING	CONTROLLER MOUNTING BRACKET *	1
7	NON STOCKING	CONTROLLER CHANEL *	1
9	H01316	SWIVEL CASTER W/BRAKE 2.5"	2
10	NON STOCKING	BASE CHANEL	1
11	H01317	SWIVEL CASTER W/O BRAKE 2.5"	2
12	NON STOCKING	REAR BASE PANEL	1
13	C02327RB	HINGE, LOWER RIGHT	1
14	N/A	BODY	1
15	N/A	TOP BRACKET	4
16	N/A	REAR CONDENSER GUARD	1
17	C2194681	POWER CORD, 18AWG/NEMA 5-15P	1
18	H02315	REAR WALL SPACER	2
19	H02382	CUTTING BOARD MOUNTING BRACKET	2
20	N/A	MAIN TOP	1
21	H01245	CUTTING BOARD S60	1
22	H05377	PAN SUPPORT FRONT/REAR	2
23	H01268	STANDARD PAN 1/6	16
24	H02678	PAN SUPPORT LEFT/RIGHT	2
25	H00377	PAN SUPPORT	7
26	H00376	HANDLE FOR LID	1
27	H00373S	Moving Cover	1
27	COMES WITH LID	LINER	1
27	COMES WITH LID	INSULATION BOARD	1
28	H00370S	HOOD W/INSULATION AND SS LINER S60	1
28	COME WITH HOOD	LINER	1
28	COMES WITH HOOD	INSULATION BOARD	1
29	HC0341	CONDENSER COIL	1
30	H00341	FILTER DRIER	1
31	N/A	FILTER DRIER SUPPORT BRACKET	1
32	H01302	CAP TUBE (.055" X 118.11")	1
33	H00125	MOTOR, CONDENSER FAN, BD03-04/C06 (5W, 600 RPM)	1
33	HC0117-1	FAN BLADE	1
34	RD00111	GRILL, CONDENSER FAN GUARD	1
35	HC0163	EVAPORATOR PIPE	1
36	C30014	CONDENSER DRIAN BOX	1
36	NON STOCKING	DRAIN BOX BRACKET	1
36	NON STOCKING	DRAIN BRACKET	1
37	H00039F	COMPRESSOR (EM2X3125U) W/FILTER DRIER	1
37	H00228	START KIT FOR EM2X3125U (SUPPLIED WITH COMPRESSOR)	1
38	HC0154	SUCTION PIPE	1
39	NON STOCKING	SUPPORT BRACKET *	1
40	NON STOCKING	TERMINAL BLOCK COVER	1
41	N/A	COVER	1
45	H01110	MOTOR BOX STYLE EVAP. FAN, (120VAC, 6W, 3100RPM)	3
46	NON STOCKING	EVAPORATOR FAN SUPPORT PANEL	1
47	HC1353F	EVAPORATOR COIL	1
48	H01144	EVAPORATOR DRAIN PAN (43.3" X 5" X 1")	1
49	N/A	EVAPORATOR COVER SUPPORT	2
50	H01153S	EVAPORATOR COVER (SS) *	1
52	H03335	SENSOR CLIP	1
53	H03342	PILASTER	4
54	H01310	SHELF, (27.68" X 16.73")	2
55	H01342	PILASTER	4
56	C3234860	SHELF CLIP	8
57	C01327	HINGE, TOP LEFT	1
58	C02327	HINGE, TOP RIGHT	1
59	H00327B	HINGE BUSHING	2
60	HC1326	GASKET, DOOR	2
61	HC2323S	DOOR, LEFT OR RIGHT (SS INTERIOR)	2
62	H00328-1	HINGE CARTRIDGE, SELF CLOSING	2
63	H01402S	CRUMB/DRIP SHIELD (SS) *	1
65	C01327LB	HINGE, LOWER LEFT	1
66	HC00120	CENTER MULLION	1
67	HC00115	CENTER MULLION BRACKET	1
68	H00356	LID PIVOT PIN	2
69	H00355	DEFORMED NUT, LID	2
70	H00205	TEMPERATURE SENOR NTC TYPE (118" LONG)	1
71	G30001	DRAIN PIPE FITTING	1
72	G30001F	DRAIN CONNECTOR	1
73	HC0396	DRAIN TUBING	1
		* NON STOCKING PART	

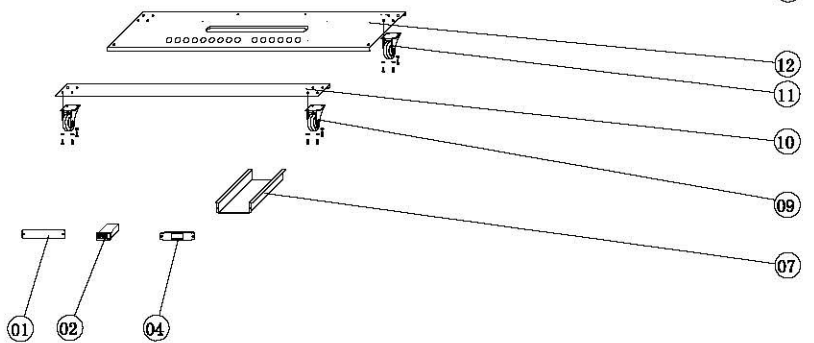
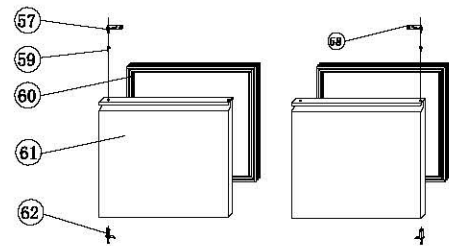
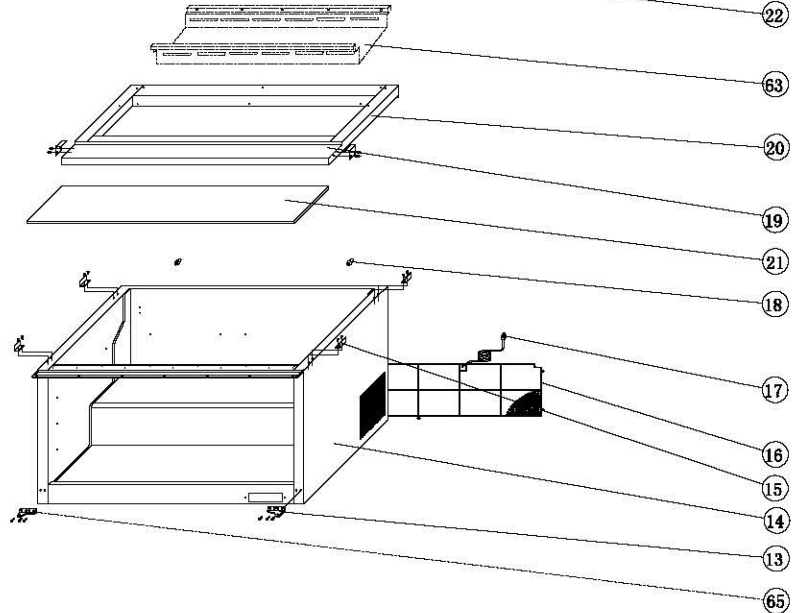
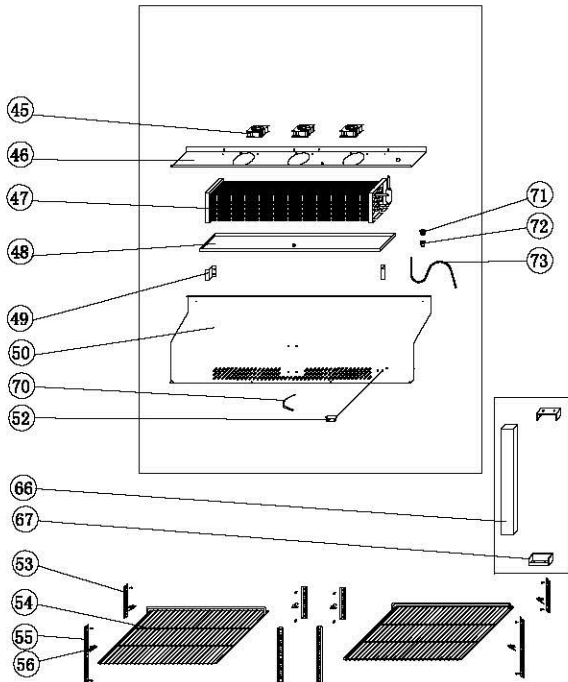
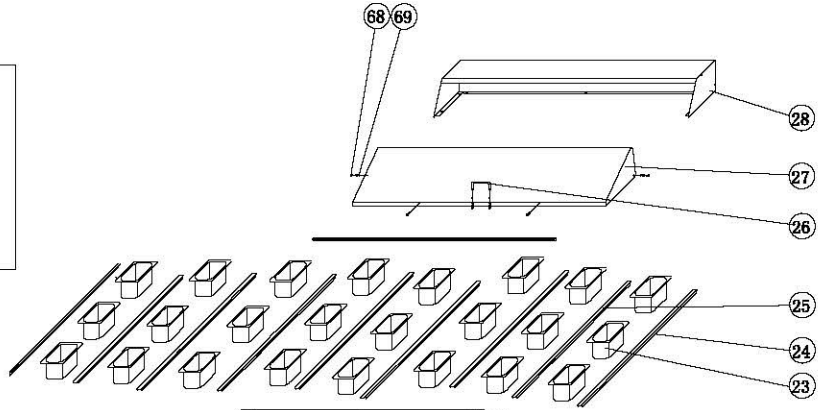
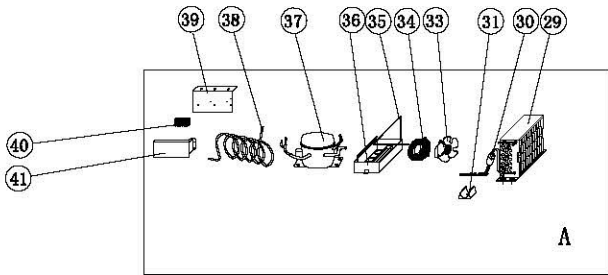
# S61-4D-HC



## Model S61-4D-HC

NO.	PART #	DESCRIPTION	QTY.
1	H108060074	CONTROLLER PROTECTION COVER	1
2	H00219-2	CONTROLLER, DIXELL XR20CX, REFRIGERATOR	1
4	NON STOCKING	CONTROLLER MOUNTING BRACKET *	1
7	NON STOCKING	CONTROLLER CHANEL *	1
9	H01316	SWIVEL CASTER W/BRAKE 2.5"	2
10	NON STOCKING	BASE CHANEL	1
11	H01317	SWIVEL CASTER W/O BRAKE 2.5"	2
12	NON STOCKING	REAR BASE PANEL	1
14	N/A	BODY	1
15	N/A	TOP BRACKET	4
16	N/A	REAR CONDENSER GUARD	1
17	C2194681	POWER CORD, 18AWG/NEMA 5-15P	1
18	H02315	REAR WALL SPACER	2
19	H02382	CUTTING BOARD MOUNTING BRACKET	2
20	N/A	MAIN TOP	1
21	H01245	CUTTING BOARD S60	1
22	H05377	PAN SUPPORT FRONT/REAR	2
23	H01268	STANDARD PAN 1/6	16
24	H02678	PAN SUPPORT LEFT/RIGHT	2
25	H00377	PAN SUPPORT	7
26	H00376	HANDLE FOR LID	1
27	H00373	LID W/INSULATION AND LINER S61	1
27	COMES WITH LID	LINER	1
27	COMES WITH LID	INSULATION BOARD	1
28	H00370	HOOD W/INSULATION AND LINER S60	1
28	COMES WITH HOOD	LINER	1
28	COMES WITH HOOD	INSULATION BOARD	1
29	HC0341	CONDENSER COIL	1
30	H00341	FILTER DRIER	1
31	N/A	FILTER DRIER SUPPORT BRACKET	1
32	H01302	CAP TUBE (.055" X 118.11")	1
33	H00125	MOTOR, CONDENSER FAN, BD03-04/C06 (5W, 600 RPM)	1
33	HC0117-1	FAN BLADE	1
34	RD00111	GRILL, CONDENSER FAN GUARD	1
35	HC0163	EVAPORATOR PIPE	1
36	C30014	CONDENSER DRAIN BOX	1
36	NON STOCKING	DRAIN BOX BRACKET	1
36	N/A	DRAIN BRACKET	1
37	H00039F	COMPRESSOR (EM2X3125U) W/FILTER DRIER	1
37	H00228	START KIT FOR EM2X3125U (SUPPLIED WITH COMPRESSOR)	1
38	HC0154	SUCTION PIPE	1
39	NON STOCKING	SUPPORT BRACKET *	1
40	NON STOCKING	TERMINAL BLOCK COVER	1
41	N/A	COVER	1
45	H01110	MOTOR BOX STYLE EVAP. FAN, (120VAC, 6W, 3100RPM)	3
46	NON STOCKING	EVAPORATOR FAN SUPPORT PANEL	1
47	HC1353F	EVAPORATOR COIL	1
48	H01144	EVAPORATOR DRAIN PAN (43.3" X 5" X 1")	1
49	N/A	EVAPORATOR COVER SUPPORT	2
50	H01153	EVAPORATOR COVER	1
52	H00335	SENSOR CLIP	1
63	H01402	CRUMB/DRIP SHIELD *	1
66	HC00120	CENTER MULLION	1
67	HC00115	CENTER MULLION BRACKET	1
68	H00356	LID PIVOT PIN	2
69	H00355	DEFORMED NUT, LID	2
70	RD6020	BACK FRAME	2
71	RD6023	FRONT FRAME	2
72	RD6005-1	BRIDGE	2
73	RD6002-1	GASKET, DRAWER	4
74	RD0002	GUIDE (RIGHT)	4
75	RD0001	GUIDE (LEFT)	4
76	RD6006-1	DRAWER FRONT PANEL ONLY	4
76	RD6006	DRAWER	4
77	RD2921-1	FRAME FIXED CLIP	4
78	RD2922-1	DRAWER SUPPORT	4
79	RD2924	FRONT SUPPORT	2
80	RD2925	INSIDE SUPPORT	2
81	H00205	TEMPERATURE SENOR NTC TYPE (118" LONG)	2
82	G30001	DRAIN PIPE FITTING	1
83	G30001F	DRAIN CONNECTOR	1
84	HC0396	DRAIN TUBING	1
		* NON STOCKING PART	

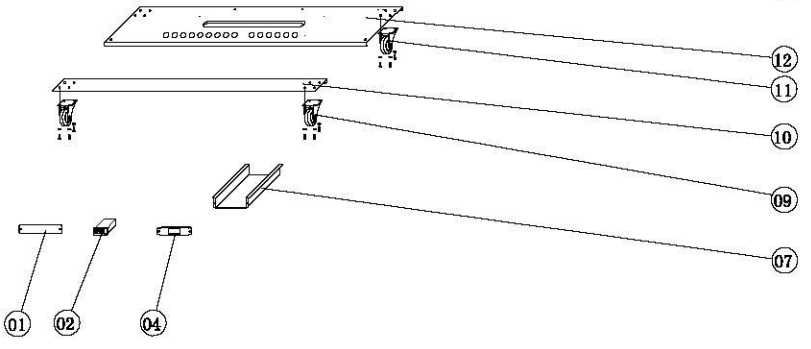
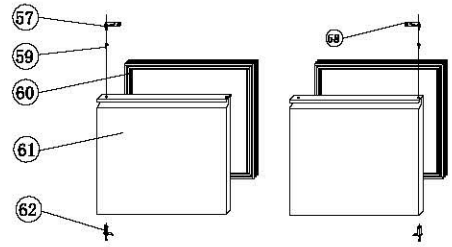
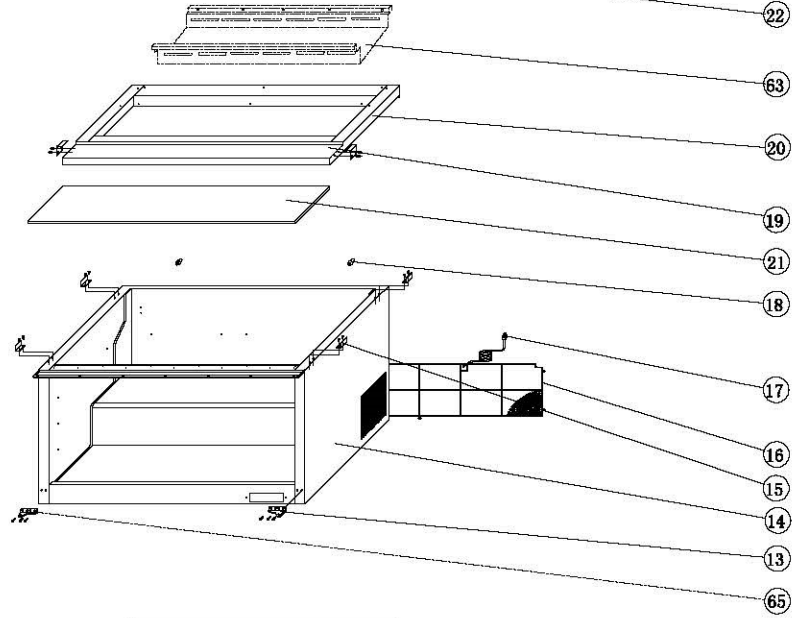
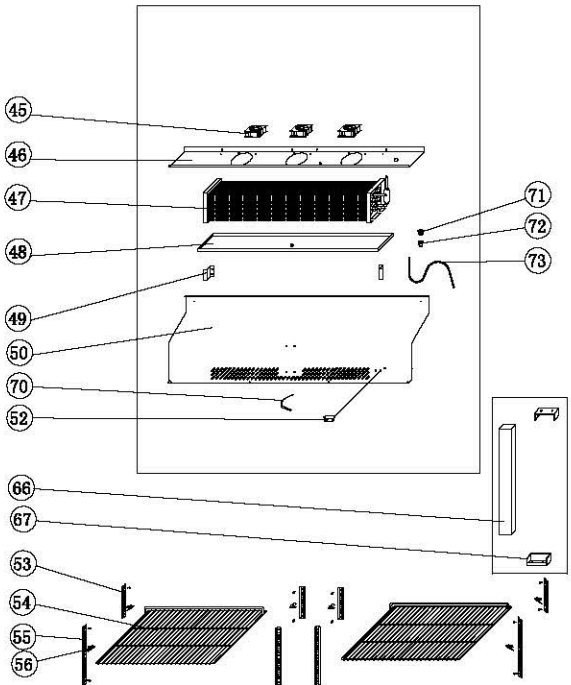
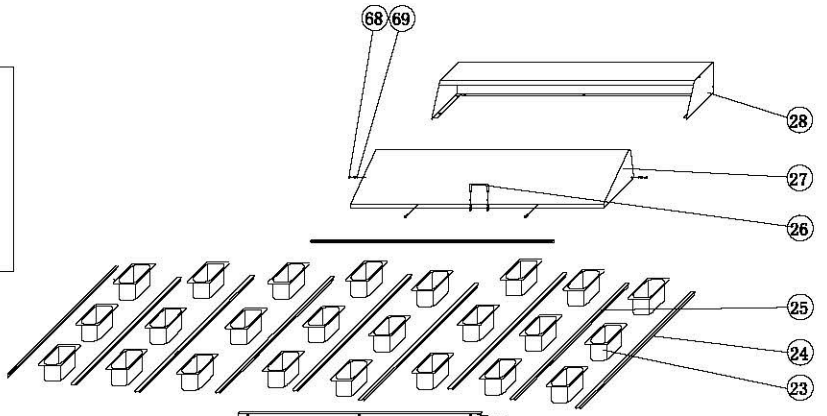
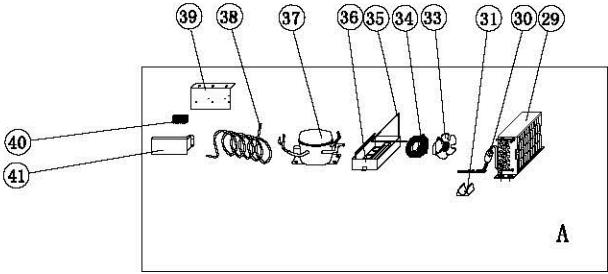
# MODEL S61-MT-HC



## Model S61-MT-HC

NO.	PART #	DESCRIPTION	QTY.
1	H108060074	CONTROLLER PROTECTION COVER	1
2	H00219-2	CONTROLLER, DIXELL XR20CX, REFRIGERATOR	1
4	NON STOCKING	CONTROLLER MOUNTING BRACKET *	1
7	NON STOCKING	CONTROLLER CHANEL *	1
9	H01316	SWIVEL CASTER W/BRAKE 2.5"	2
10	NON STOCKING	BASE CHANEL	1
11	H01317	SWIVEL CASTER W/O BRAKE 2.5"	2
12	NON STOCKING	REAR BASE PANEL	1
13	C02327RB	HINGE, LOWER RIGHT	1
14	N/A	BODY	1
15	N/A	TOP BRACKET	4
16	N/A	REAR CONDENSER GUARD	1
17	C2194681	POWER CORD, 18AWG/NEMA 5-15P	1
18	H02315	REAR WALL SPACER	2
19	H02382	CUTTING BOARD MOUNTING BRACKET	2
20	N/A	MAIN TOP	1
21	H02245	CUTTING BOARD S61-MT	1
22	H04577	PAN SUPORT	2
23	H01268	STANDARD PAN 1/6	24
24	H02378	PAN SUPPORT /LEFT/RIGHT	2
25	H02377	PAN SUPPORT	7
26	H00376	HANDLE FOR LID	1
27	H01373	LID W/INSULATION AND LINER S61MT	1
27	COMES WITH LID	LINER	1
27	COMES WITH LID	INSULATION BOARD	1
27	COMES WITH LID	LINER	2
28	H01370	HOOD W/INSULATION AND LINER 60MT	1
28	COMES WITH HOOD	LINER	1
28	COMES WITH HOOD	INSULATION BOARD	1
29	HC0341	CONDENSER COIL	1
30	H00341	FILTER DRIER	1
31	N/A	FILTER DRIER SUPPORT BRACKET	1
32	H01302	CAP TUBE (.055" X 118.11")	1
33	H00125	MOTOR, CONDENSER FAN, BD03-04/C06 (5W, 600 RPM)	1
33	HC0117-1	FAN BLADE	1
34	RD00111	GRILL, CONDENSER FAN GUARD	1
35	HC0163	EVAPORATOR PIPE	1
36	C30014	CONDENSER DRIAN BOX	1
36	NON STOCKING	DRAIN BOX BRACKET	1
36	N/A	DRAIN BRACKET	1
37	H00039F	COMPRESSOR (EM2X3125U) W/FILTER DRIER	1
37	H00228	START KIT FOR EM2X3125U (SUPPLIED WITH COMPRESSOR)	1
38	HC0154	SUCTION PIPE	1
39	NON STOCKING	SUPPORT BRACKET *	1
40	NON STOCKING	TERMINAL BLOCK COVER	1
41	N/A	COVER	1
45	H01110	MOTOR BOX STYLE EVAP. FAN, (120VAC, 6W, 3100RPM)	3
46	NON STOCKING	EVAPORATOR FAN SUPPORT PANEL	1
47	HC1353F	EVAPORATOR COIL	1
48	H01144	EVAPORATOR DRAIN PAN (43.3" X 5" X 1")	1
49	N/A	EVAPORATOR COVER SUPPORT	2
50	H01153	EVAPORATOR COVER	1
52	H00335	SENSOR CLIP	1
53	H03342	PILASTER	4
54	H01310	SHELF, (27.68" X 16.73")	2
55	H01342	PILASTER	4
56	C3234860	SHELF CLIP	8
57	C01327	HINGE, TOP LEFT	1
58	C02327	HINGE, TOP RIGHT	1
59	H00327B	HINGE BUSHING	2
60	HC1326	GASKET, DOOR	2
61	HC2323	DOOR, LEFT OR RIGHT (PLASTIC LINER)	2
62	H00328-1	HINGE CARTRIDGE, SELF CLOSING	2
63	H01412	CRUMB/DRIP SHIELD *	1
65	C01327LB	HINGE, LOWER LEFT	1
66	HC00120	CENTER MULLION	1
67	HC00115	CENTER MULLION BRACKET	2
68	H00356	LID PIVOT PIN	2
69	H00355	DEFORMED NUT, LID	2
70	H00205	TEMPERATURE SENOR NTC TYPE (118" LONG)	2
71	G30001	DRAIN PIPE FITTING	1
72	G30001F	DRAIN CONNECTOR	1
73	HC0396	DRAIN TUBING	1
		* NON STOCKING PART	

# MODEL S61-MT-SI-HC

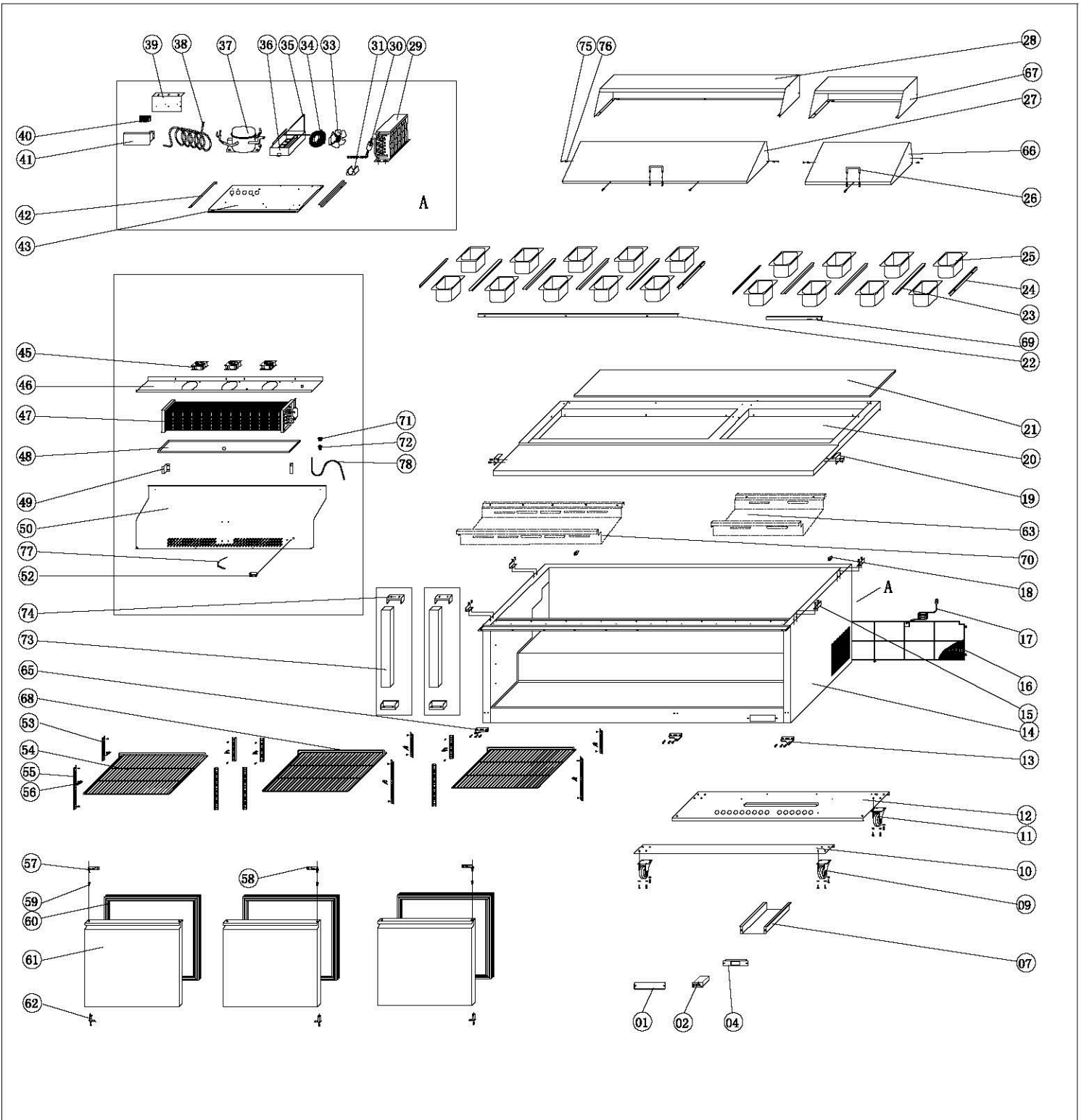


## Model S61-MT-SI-HC

(SI - Stainless Steel Interior)

NO.	PART #	DESCRIPTION	QTY.
1	H108060074	CONTROLLER PROTECTION COVER	1
2	H00219-2	CONTROLLER, DIXELL XR20CX, REFRIGERATOR	1
4	NON STOCKING	CONTROLLER MOUNTING BRACKET *	1
7	NON STOCKING	CONTROLLER CHANEL *	1
9	H01316	SWIVEL CASTER W/BRAKE 2.5"	2
10	NON STOCKING	BASE CHANEL	1
11	H01317	SWIVEL CASTER W/O BRAKE 2.5"	2
12	NON STOCKING	REAR BASE PANEL	1
13	C02327RB	HINGE, LOWER RIGHT	1
14	N/A	BODY	1
15	N/A	TOP BRACKET	4
16	N/A	REAR CONDENSER GUARD	1
17	C2194681	POWER CORD, 18AWG/NEMA 5-15P	1
18	H02315	REAR WALL SPACER	2
19	H02382	CUTTING BOARD MOUNTING BRACKET	2
20	N/A	MAIN TOP	1
21	H02245	CUTTING BOARD S61-MT	1
22	H04577	PAN SUPORT	2
23	H01268	STANDARD PAN 1/6	24
24	H02378	PAN SUPPORT /LEFT/RIGHT	2
25	H02377	PAN SUPPORT	7
26	H00376	HANDLE FOR LID	1
27	H01373S	LID W/INSULATION AND SS LINER S61MT	1
27	COMES WITH LID	LINER	1
27	COMES WITH LID	INSULATION BOARD	1
27	COMES WITH LID	LINER	2
28	H01370S	HOOD W/INSULATION AND SS LINER 60MT	1
28	COMES WITH HOOD	LINER	1
28	COMES WITH HOOD	INSULATION BOARD	1
29	HC0341	CONDENSER COIL	1
30	H00341	FILTER DRIER	1
31	N/A	FILTER DRIER SUPPORT BRACKET	1
32	H01302	CAP TUBE (.055" X 118.11")	1
33	H00125	MOTOR, CONDENSER FAN, BD03-04/C06 (5W, 600 RPM)	1
33	HC0117-1	FAN BLADE	1
34	RD00111	GRILL, CONDENSER FAN GUARD	1
35	HC0163	EVAPORATOR PIPE	1
36	C30014	CONDENSER DRIAN BOX	1
36	NON STOCKING	DRAIN BOX BRACKET	1
36	N/A	DRAIN BRACKET	1
37	H00039F	COMPRESSOR (EM2X3125U) W/FILTER DRIER	1
37	H00228	START KIT FOR EM2X3125U (SUPPLIED WITH COMPRESSOR)	1
38	HC0154	SUCTION PIPE	1
39	NON STOCKING	SUPPORT BRACKET *	1
40	NON STOCKING	TERMINAL BLOCK COVER	1
41	N/A	COVER	1
45	H01110	MOTOR BOX STYLE EVAP. FAN, (120VAC, 6W, 3100RPM)	3
46	NON STOCKING	EVAPORATOR FAN SUPPORT PANEL	1
47	HC1353F	EVAPORATOR COIL	1
48	H01144	EVAPORATOR DRAIN PAN (43.3" X 5" X 1")	1
49	N/A	EVAPORATOR COVER SUPPORT	2
50	H01153S	EVAPORATOR COVER (SS) *	1
52	H03335	SENSOR CLIP	1
53	H03342	PILASTER	4
54	H01310	SHELF, (27.68" X 16.73")	2
55	H01342	PILASTER	4
56	C3234860	SHELF CLIP	8
57	C01327	HINGE, TOP LEFT	1
58	C02327	HINGE, TOP RIGHT	1
59	H00327B	HINGE BUSHING	2
60	HC1326	GASKET, DOOR	2
61	HC2323S	DOOR, LEFT OR RIGHT (SS INTERIOR)	2
62	H00328-1	HINGE CARTRIDGE, SELF CLOSING	2
63	H01402S	CRUMB/DRIP SHIELD (SS) *	1
65	C01327LB	HINGE, LOWER LEFT, PREP UNIT	1
66	HC00120	CENTER MULLION	1
67	HC00115	CENTER MULLION BRACKET	2
68	H00356	LID PIVOT PIN	2
69	H00355	DEFORMED NUT, LID	2
70	H00205	TEMPERATURE SENOR NTC TYPE (118" LONG)	1
71	G30001	DRAIN PIPE FITTING	1
72	G30001F	DRAIN CONNECTOR	1
73	HC0396	DRAIN TUBING	1
		* NON STOCKING PART	

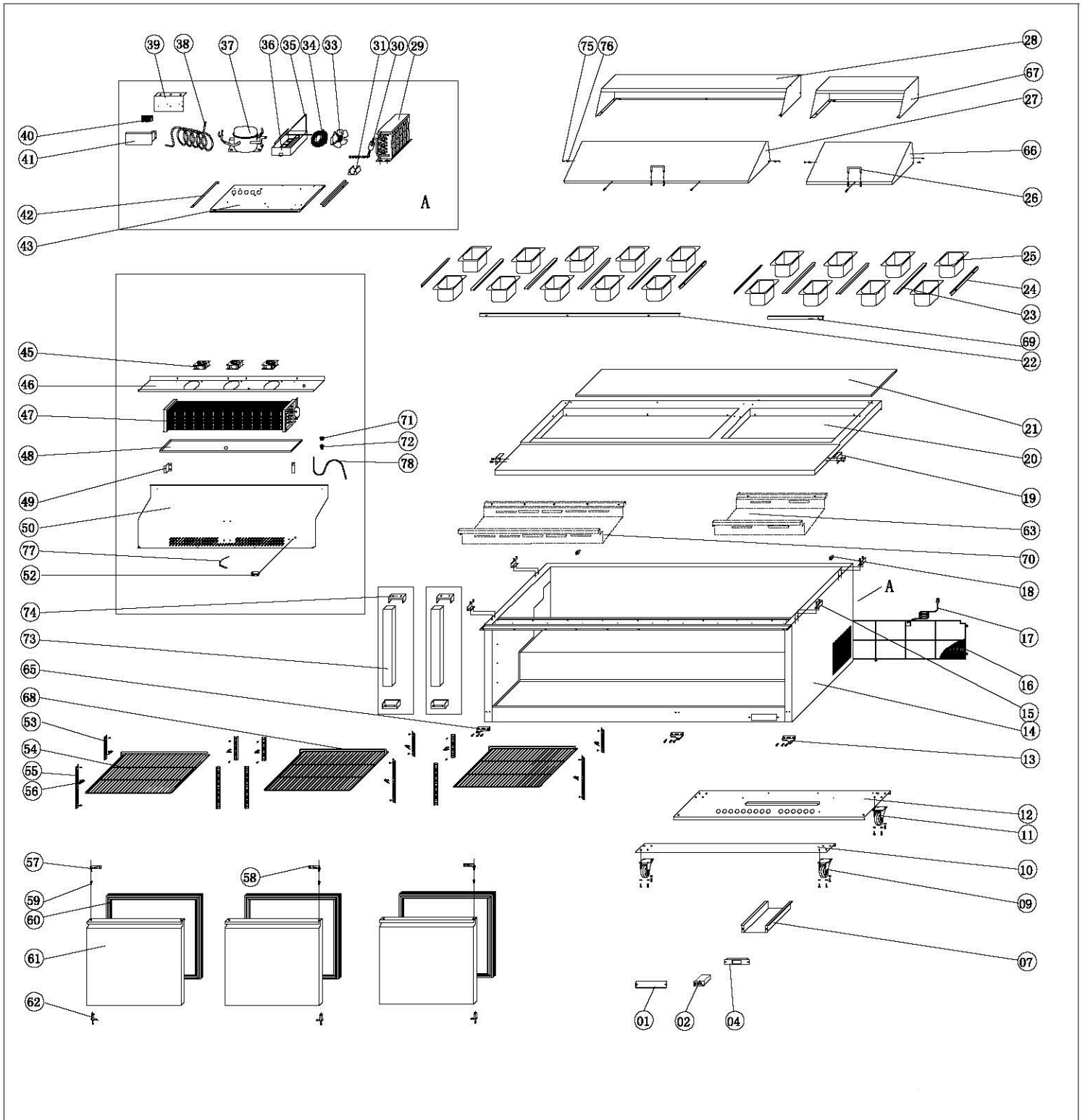
# MODEL S72-HC



## Model S72-HC

NO.	PART #	DESCRIPTION	QTY.
1	H108060074	CONTROLLER PROTECTION COVER	1
2	H00219-2	CONTROLLER, DIXELL XR20CX, REFRIGERATOR	1
4	NON STOCKING	CONTROLLER MOUNTING BRACKET *	1
7	NON STOCKING	CONTROLLER CHANEL *	1
9	H01316	SWIVEL CASTER W/BRAKE 2.5"	2
10	NON STOCKING	BASE CHANEL	1
11	H01317	SWIVEL CASTER W/O BRAKE 2.5"	2
12	NON STOCKING	REAR BASE PANEL	1
13	C02327RB	HINGE, LOWER RIGHT	2
14	N/A	BODY	1
15	N/A	TOP BRACKET	4
16	N/A	REAR CONDENSER GUARD	1
17	C2194681	POWER CORD, 18AWG/NEMA 5-15P	1
18	H02315	REAR WALL SPACER	2
19	H02382	CUTTING BOARD MOUNTING BRACKET	2
20	N/A	MAIN TOP	1
21	H01258	CUTTING BOARD S72	1
22	H02346	PAN SUPPORT FRONT REAR LEFT	2
23	H00377	PAN SUPPORT	7
24	H02678	PAN SUPPORT LEFT/RIGHT	4
25	NON STOCKING	STANDARD PAN 1/6	18
26	H00376	HANDLE FOR LID	2
27	H00384	LID W/INSULATION AND LINER, LEFT S72	1
27	COMES WITH LID	LINER	1
27	COMES WITH LID	INSULATION BOARD	1
28	H00385	HOOD, LEFT, W/INSULATION AND LINER S72	1
28	COMES WITH HOOD	LINER	1
28	COMES WITH HOOD	INSULATION BOARD	1
29	HC0341	CONDENSER COIL	1
30	H00341	FILTER DRIER	1
31	N/A	FILTER DRIER SUPPORT BRACKET	1
32	H01302	CAP TUBE (.055" X 118.11")	1
33	H00125	MOTOR, CONDENSER FAN, BD03-04/C06 (5W, 600 RPM)	1
33	HC0117-1	FAN BLADE	1
34	RD00111	GRILL, CONDENSER FAN GUARD	1
35	HC0163	EVAPORATOR PIPE	1
36	C30014	CONDENSER DRIAN BOX	1
36	NON STOCKING	DRAIN BOX BRACKET	1
36	N/A	DRAIN BRACKET	1
37	H00039F	COMPRESSOR (EM2X3125U) W/FILTER DRIER	1
37	H00228	START KIT FOR EM2X3125U (SUPPLIED WITH COMPRESSOR)	1
38	HC0156	SUCITION PIPE	1
39	NON STOCKING	SUPPORT BRACKET *	1
40	NON STOCKING	TERMINAL BLOCK COVER	1
41	N/A	COVER	1
42	N/A	RIGHT GUIDE*	
42	N/A	LEFT GUIDE *	
43	N/A	CONDENSER BASE PANEL	1
45	H01110	MOTOR BOX STYLE EVAP. FAN, (120VAC, 6W, 3100RPM)	3
46	NON STOCKING	EVAPORATOR FAN SUPPORT PANEL *	1
47	H01355Q	EVAPORATOR COIL	1
48	H01357	EVAPORATOR DRAIN PAN	1
49	N/A	EVAPORATOR COVER SUPPORT	2
50	H03157	EVAPORATOR COVER *	1
52	H00335	SENSOR CLIP	1
53	H03342	PILASTER	6
54	H01309	SHELF, (21.18" X 16.73")	2
55	H01342	PILASTER	6
56	C3234860	SHELF CLIP	12
57	C01327	HINGE, TOP LEFT	1
58	C02327	HINGE, TOP RIGHT	2
59	H00327B	HINGE BUSHING	3
60	HC2325	GASKET, DOOR	3
61	HC1324	DOOR, LEFT OR RIGHT (PLASTIC LINER)	3
62	H00328-1	HINGE CARTRIDGE, SELF CLOSING	3
63	H01404	CRUMB/DRIP SHIELD (RIGHT SIDE) *	1
65	C01327LB	HINGE, LOWER LEFT	1
66	H01261	LID, (72-RIGHT)	1
66	COMES WITH LID	LINER, RIGHT	1
66	COMES WITH LID	LID INSULATION BOARD	1
67	H01262	HOOD W/INSULATION AND LINER S72 RIGHT	1
67	COMES WITH HOOD	LINER	1
67	COMES WITH HOOD	INSULATION BOARD	1
68	H01312	SHELF, MIDDLE (22.83" X 16.73")	1
69	H01263	PAN SUPPORT FRONT REAR RIGHT	2
70	H01403	CRUMB/DRIP SHIELD (LEFT SIDE) *	1
71	G30001	DRAIN PIPE FITTING	1
72	G30001F	DRAIN CONNECTOR	1
73	HC00120	CENTER MULLION	1
73	HC00124	CENTER MULLION	1
74	HC00115	CENTER MULLION BRACKET	4
75	H00356	LID PIVOT PIN	4
76	H00355	DEFORMED NUT, LID	4
77	H00205	TEMPERATURE SENOR NTC TYPE (118" LONG)	1
78	HC0396	DRAIN TUBING	1
		* NON STOCKING PART	

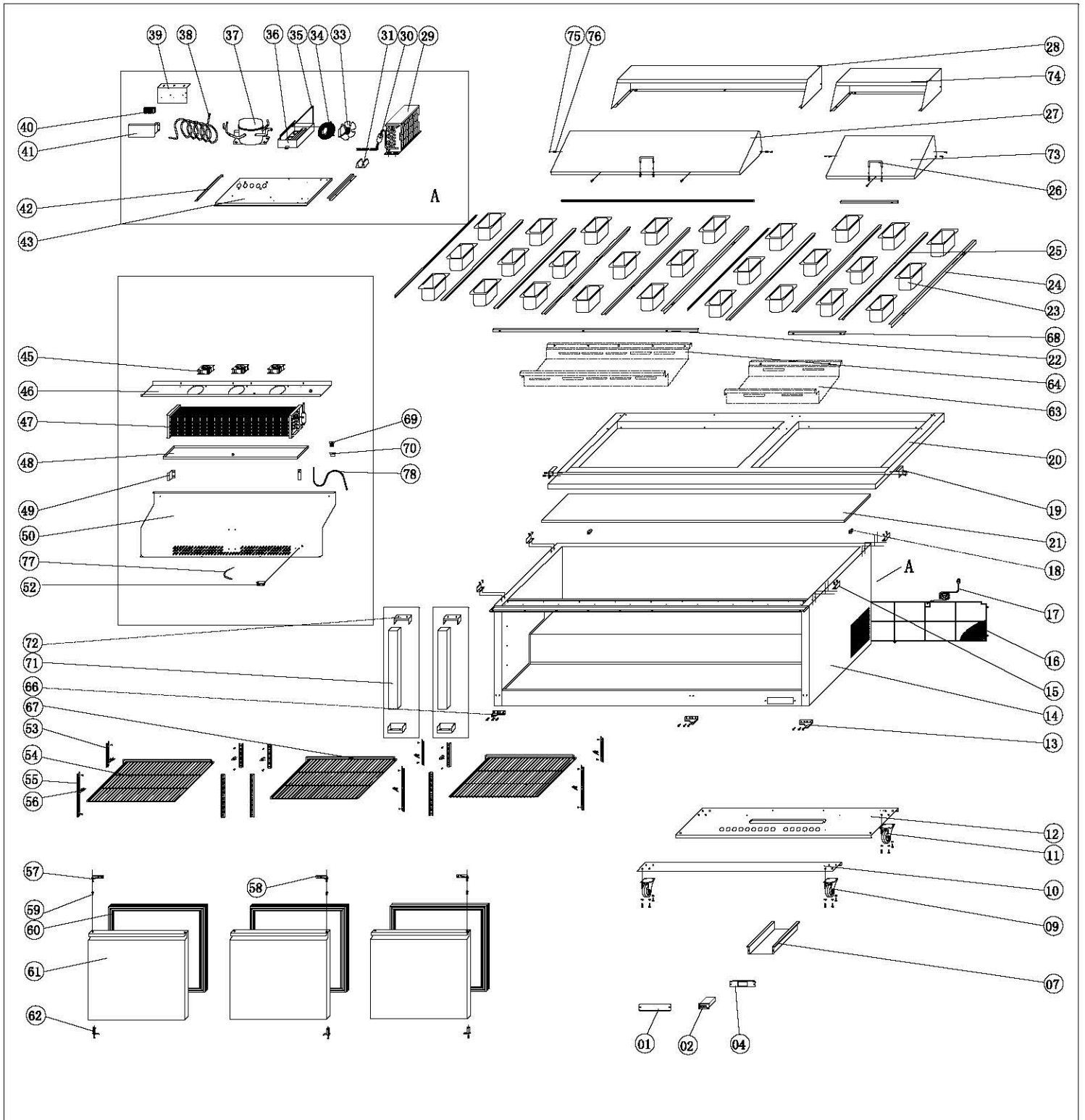
# MODEL S72-SI-HC



**Model S72-SI-HC**  
(SI - Stainless Steel Interior)

NO.	PART #	DESCRIPTION	QTY.
1	H108060074	CONTROLLER PROTECTION COVER	1
2	H00219-2	CONTROLLER, DIXELL XR20CX, REFRIGERATOR	1
4	NON STOCKING	CONTROLLER MOUNTING BRACKET *	1
7	NON STOCKING	CONTROLLER CHANEL *	1
9	H01316	SWIVEL CASTER W/BRAKE 2.5"	2
10	NON STOCKING	BASE CHANEL	1
11	H01317	SWIVEL CASTER W/O BRAKE 2.5"	2
12	NON STOCKING	REAR BASE PANEL	1
13	C02327RB	HINGE, LOWER RIGHT	2
14	N/A	BODY	1
15	N/A	TOP BRACKET	4
16	N/A	REAR CONDENSER GUARD	1
17	C2194684	POWER CORD, 14AWG/NEMA 5-15P	1
18	H02315	REAR WALL SPACER	2
19	H02382	CUTTING BOARD MOUNTING BRACKET	2
20	N/A	MAIN TOP	1
21	H01258	CUTTING BOARD S72	1
22	H02346	PAN SUPPORT FRONT REAR LEFT	2
23	H00377	PAN SUPPORT	7
24	H02678	PAN SUPPORT LEFT/RIGHT	4
25	NON STOCKING	STANDARD PAN 1/6	18
26	H00376	HANDLE FOR LID	2
27	H00384S	LID W/INSULATION AND SS LINER S72	1
27	COMES WITH LID	LINER	1
27	COMES WITH LID	INSULATION BOARD	1
28	H00385S	HOOD, LEFT, W/INSULATION AND SS LINER S72MT SI	1
28	COMES WITH HOOD	LINER	1
28	COMES WITH HOOD	HOOD INSULATION BOARD	1
29	HC0341	CONDENSER COIL	1
30	H00341	FILTER DRIER	1
31	N/A	FILTER DRIER SUPPORT BRACKET	1
32	H01302	CAP TUBE (.055" X 118.11")	1
33	H00125	MOTOR, CONDENSER FAN, BD03-04/C06 (5W, 600 RPM)	1
33	HC0117-1	FAN BLADE	1
34	RD00111	GRILL, CONDENSER FAN GUARD	1
35	HC0163	EVAPORATOR PIPE	1
36	C30014	CONDENSER DRIAN BOX	1
36	NON STOCKING	DRAIN BOX BRACKET	1
36	N/A	DRAIN BRACKET	1
37	H00039F	COMPRESSOR (EM2X3125U) W/FILTER DRIER	1
37	H00228	START KIT FOR EM2X3125U (SUPPLIED WITH COMPRESSOR)	1
38	HC0156	SUCITION PIPE	1
39	NON STOCKING	SUPPORT BRACKET *	1
40	NON STOCKING	TERMINAL BLOCK COVER	1
41	N/A	COVER	1
42	N/A	RIGHT GUIDE *	
42	N/A	LEFT GUIDE *	
43	N/A	CONDENSER BASE PANEL	1
45	H01110	MOTOR BOX STYLE EVAP. FAN, (120VAC, 6W, 3100RPM)	3
46	NON STOCKING	EVAPORATOR FAN SUPPORT PANEL *	1
47	H01355Q	EVAPORATOR COIL	1
48	H01357	EVAPORATOR DRAIN PAN	1
49	N/A	EVAPORATOR COVER SUPPORT	2
50	H03157S	EVAPORATOR COVER (SS) *	1
52	H03335	SENSOR CLIP	1
53	H03342	PILASTER	6
54	H01309	SHELF, (21.18" X 16.73")	2
55	H01342	PILASTER	6
56	C3234860	SHELF CLIP	12
57	C01327	HINGE, TOP LEFT	1
58	C02327	HINGE, TOP RIGHT	2
59	H00327B	HINGE BUSHING	3
60	HC2325	GASKET, DOOR	3
61	HC1321	DOOR, LEFT OR RIGHT	3
62	H00328-1	HINGE CARTRIDGE, SELF CLOSING	3
63	H01413S	CRUMB/DRIP SHIELD (SS) (RIGHT SIDE) *	1
65	C01327LB	HINGE, LOWER LEFT	1
66	H01261	LID, (72-RIGHT)	1
66	COMES WITH LID	LID LINER PANEL	1
66	COMES WITH LID	LID INSULATION BOARD	1
67	H01262S	HOOD W/INSULATION AND SS LINER S72 RIGHT	1
67	COMES WITH HOOD	LINER	1
67	COMES WITH HOOD	INSULATION BOARD	1
68	H01312	SHELF, MIDDLE (22.83" X 16.73")	1
69	H01263	PAN SUPPORT FRONT REAR RIGHT	2
70	H01403S	CRUMB/DRIP SHIELD (SS) (LEFT SIDE) *	1
71	G30001	DRAIN PIPE FITTING	1
72	G30001F	DRAIN CONNECTOR	1
73	HC00120	CENTER MULLION	1
73	HC00124	CENTER MULLION	1
74	HC00115	CENTER MULLION BRACKET	4
75	H00356	LID PIVOT PIN	4
76	H00355	DEFORMED NUT, LID	4
77	H00205	TEMPERATURE SENOR NTC TYPE (118" LONG)	1
78	HC0396	DRAIN TUBING	1
		* NON STOCKING PART	

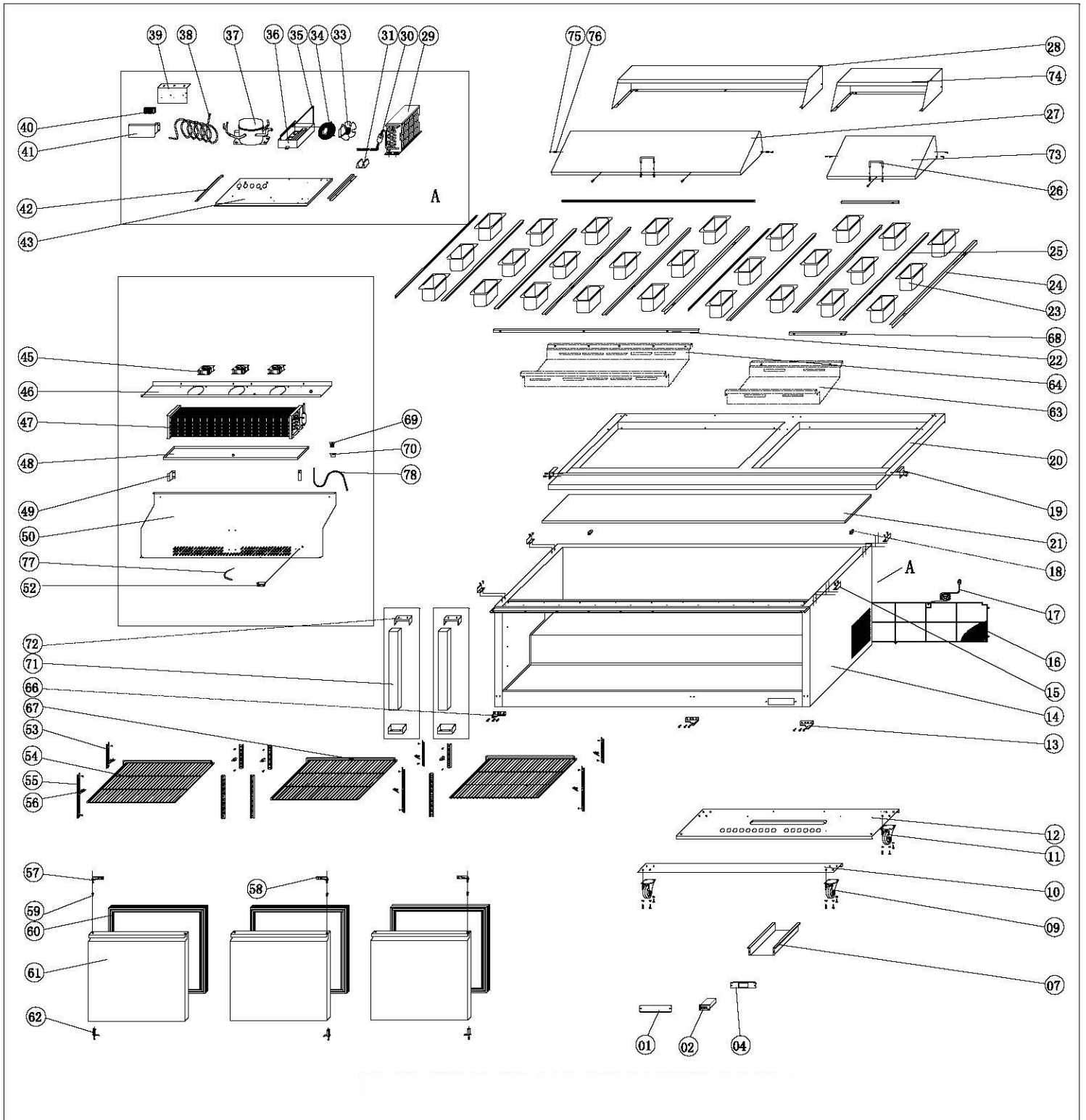
# MODEL S72-MT-HC



## Model S72-MT-HC

NO.	PART #	DESCRIPTION	QTY.
1	H108060074	CONTROLLER PROTECTION COVER	1
2	H00219-2	CONTROLLER, DIXELL XR20CX, REFRIGERATOR	1
4	NON STOCKING	CONTROLLER MOUNTING BRACKET *	1
7	NON STOCKING	CONTROLLER CHANEL *	1
9	H01316	SWIVEL CASTER W/BRAKE 2.5"	2
10	NON STOCKING	BASE CHANEL	1
11	H01317	SWIVEL CASTER W/O BRAKE 2.5"	2
12	NON STOCKING	REAR BASE PANEL	1
13	C02327RB	HINGE, LOWER RIGHT	2
14	N/A	BODY	1
15	N/A	TOP BRACKET	4
16	N/A	REAR CONDENSER GUARD	1
17	C2194681	POWER CORD, 18AWG/NEMA 5-15P	1
18	H02315	REAR WALL SPACER	2
19	H02382	CUTTING BOARD MOUNTING BRACKET	2
20	N/A	MAIN TOP	1
21	H01264	CUTTING BOARD S72	1
22	H04677	PAN SUPPORT FRONT/REAR	2
23	H01268	STANDARD PAN 1/6	27
24	H02578	PAN SUPPORT LEFT/RIGHT	2
24	H02378	PAN SUPPORT /LEFT/RIGHT	2
25	H02377	PAN SUPPORT	7
26	H00376	HANDLE FOR LID	2
27	H01265	LID W/INSULATION AND LINER, LEFT S72MT	1
27	COMES WITH LID	LINER	1
27	COMES WITH LID	INSULATION BOARD	1
27	COMES WITH LID	LINER	1
28	H01266	HOOK, LEFT, W/INSULATION AND LINER S72MT	1
28	COMES WITH HOOD	LINER	1
28	COMES WITH HOOD	HOOD INSULATION BOARD	1
29	HC0341	CONDENSER COIL	1
30	H00341	FILTER DRIER	1
31	N/A	FILTER DRIER SUPPORT BRACKET	1
32	H01302	CAP TUBE (.055" X 118.11")	1
33	H00125	MOTOR, CONDENSER FAN, BD03-04/C06 (5W, 600 RPM)	1
33	HC0117-1	FAN BLADE	1
34	RD00111	GRILL, CONDENSER FAN GUARD	1
35	HC0163	EVAPORATOR PIPE	1
36	C30014	CONDENSER DRIAN BOX	1
36	NON STOCKING	DRAIN BOX BRACKET	1
36	N/A	DRAIN BRACKET	1
37	H00039F	COMPRESSOR (EM2X3125U) W/FILTER DRIER	1
37	H00228	START KIT FOR EM2X3125U (SUPPLIED WITH COMPRESSOR)	1
38	HC0156	SUCITION PIPE	1
39	NON STOCKING	SUPPORT BRACKET *	1
40	NON STOCKING	TERMINAL BLOCK COVER	1
41	N/A	COVER	1
42	N/A	RIGHT GUIDE *	
42	N/A	LEFT GUIDE *	
43	N/A	CONDENSER BASE PANEL	1
45	H01110	MOTOR BOX STYLE EVAP. FAN, (120VAC, 6W, 3100RPM)	3
46	NON STOCKING	EVAPORATOR FAN SUPPORT PANEL *	1
47	H01355Q	EVAPORATOR COIL	1
48	H01357	EVAPORATOR DRAIN PAN	1
49	N/A	EVAPORATOR COVER SUPPORT	2
50	H03157	EVAPORATOR COVER *	1
52	H00335	SENSOR CLIP	1
53	H03342	PILASTER	6
54	H01309	SHELF, (21.18" X 16.73")	2
55	H01342	PILASTER	6
56	C3234860	SHELF CLIP	12
57	C01327	HINGE, TOP LEFT	1
58	C02327	HINGE, TOP RIGHT	2
59	H00327B	HINGE BUSHING	3
60	HC2325	GASKET, DOOR	3
61	HC1324	DOOR, LEFT OR RIGHT (PLASTIC LINER)	3
62	H00328-1	HINGE CARTRIDGE, SELF CLOSING	3
63	H01413	CRUMB/DRIP SHIELD (RIGHT SIDE) *	1
64	H01414	CRUMB/DRIP SHIELD (LEFT SIDE) *	1
66	C01327LB	HINGE, LOWER LEFT	1
67	H01312	SHELF, MIDDLE (22.83" X 16.73")	1
68	H04777	PAN SUPPORT FRONT/REAR	2
69	G30001	DRAIN PIPE FITTING	1
70	G30001F	DRAIN CONNECTOR	1
71	HC00120	CENTER MULLION	1
71	HC00124	CENTER MULLION	1
72	HC00115	CENTER MULLION BRACKET	4
73	H01270	LID W/INSULATIN AND LINER RIGHT S72MT	1
73	COMES WITH LID	LINER	1
73	COMES WITH LID	INSULATION BOARD	1
73	COMES WITH LID	LINER	1
74	H01269	HOOD W/INSULATION AND LINER S72 RIGHT	1
74	COMES WITH HOOD	LINER	1
74	COMES WITH HOOD	INSULATION BOARD	1
75	H00356	LID PIVOT PIN	4
76	H00355	DEFORMED NUT, LID	4
77	H00205	TEMPERATURE SENOR NTC TYPE (118" LONG)	1
78	HC0396	DRAIN TUBING	1
		* NON STOCKING PART	

# MODEL S72-MT-SI-HC



## Model S72-MT-SI-HC

(SI - Stainless Steel Interior)

NO.	PART #	DESCRIPTION	QTY.
1	H108060074	CONTROLLER PROTECTION COVER	1
2	H00219-2	CONTROLLER, DIXELL XR20CX, REFRIGERATOR	1
4	NON STOCKING	CONTROLLER MOUNTING BRACKET *	1
7	NON STOCKING	CONTROLLER CHANEL *	1
9	H01316	SWIVEL CASTER W/BRAKE 2.5"	2
10	NON STOCKING	BASE CHANEL	1
11	H01317	SWIVEL CASTER W/O BRAKE 2.5"	2
12	NON STOCKING	REAR BASE PANEL	1
13	C02327RB	HINGE, LOWER RIGHT	2
14	N/A	BODY	1
15	N/A	TOP BRACKET	4
16	N/A	REAR CONDENSER GUARD	1
17	C2194684	POWER CORD, 14AWG/NEMA 5-15P	1
18	H02315	REAR WALL SPACER	2
19	H02382	CUTTING BOARD MOUNTING BRACKET	2
20	N/A	MAIN TOP	1
21	H01264	CUTTING BOARD S72	1
22	H04677	PAN SUPPORT FRONT/REAR	2
23	H01268	STANDARD PAN 1/6	27
24	H02578	PAN SUPPORT LEFT/RIGHT	2
24	H02378	PAN SUPPORT /LEFT/RIGHT	2
25	H02377	PAN SUPPORT	7
26	H00376	HANDLE FOR LID	2
27	H01265S	LID W/INSULATION AND LINER, LEFT S72MT	1
27	COMES WITH LID	LINER	1
27	COMES WITH LID	LID INSULATION BOARD	1
27	COMES WITH LID	LINER	1
28	H01266S	HOOK, LEFT, W/INSULATION AND SS LINER S72MT	1
28	COMES WITH HOOD	LINER	1
28	COMES WITH HOOD	HOOD INSULATION BOARD	1
29	HC0341	CONDENSER COIL	1
30	H00341	FILTER DRIER	1
31	N/A	FILTER DRIER SUPPORT BRACKET	1
32	H01302	CAP TUBE (.055" X 118.11")	2
33	H00125	MOTOR, CONDENSER FAN, BD03-04/C06 (5W, 600 RPM)	1
33	HC0117-1	FAN BLADE	1
34	RD00111	GRILL, CONDENSER FAN GUARD	1
35	HC0163	EVAPORATOR PIPE	1
36	C30014	CONDENSER DRIAN BOX	1
36	NON STOCKING	DRAIN BOX BRACKET	1
36	N/A	DRAIN BRACKET	1
37	H00039F	COMPRESSOR (EM2X3125U) W/FILTER DRIER	1
37	H00228	START KIT FOR EM2X3125U (SUPPLIED WITH COMPRESSOR)	1
38	HC0156	SUCITION PIPE	1
39	NON STOCKING	SUPPORT BRACKET *	1
40	NON STOCKING	TERMINAL BLOCK COVER	1
41	N/A	COVER	1
42	N/A	RIGHT GUIDE *	
42	N/A	LEFT GUIDE *	
43	N/A	CONDENSER BASE PANEL	1
45	H01110	MOTOR BOX STYLE EVAP. FAN, (120VAC, 6W, 3100RPM)	3
46	NON STOCKING	EVAPORATOR FAN SUPPORT PANEL *	1
47	H01355Q	EVAPORATOR COIL	1
48	H01357	EVAPORATOR DRAIN PAN	1
49	N/A	EVAPORATOR COVER SUPPORT	2
50	H03157S	EVAPORATOR COVER (SS) *	1
52	H03335	SENSOR CLIP	1
53	H03342	PILASTER	6
54	H01309	SHELF, (21.18" X 16.73")	2
55	H01342	PILASTER	6
56	C3234860	SHELF CLIP	12
57	C01327	HINGE, TOP LEFT	1
58	C02327	HINGE, TOP RIGHT	2
59	H00327B	HINGE BUSHING	3
60	HC2325	GASKET, DOOR	3
61	HC1321	DOOR, LEFT OR RIGHT	3
62	H00328-1	HINGE CARTRIDGE, SELF CLOSING	3
63	H01413S	CRUMB/DRIP SHIELD (SS) (RIGHT SIDE) *	1
64	H01414S	CRUMB/DRIP SHIELD (SS) (LEFT SIDE) *	1
66	C01327LB	HINGE, LOWER LEFT	1
67	H01312	SHELF, MIDDLE (22.83" X 16.73")	1
68	H04777	PAN SUPPORT FRONT/REAR	2
69	G30001	DRAIN PIPE FITTING	1
70	G30001F	DRAIN CONNECTOR	1
71	HC00120	CENTER MULLION	1
71	HC00124	CENTER MULLION	1
72	HC00115	CENTER MULLION BRACKET	4
73	H01270S	LID W/INSULATIN AND SS LINER RIGHT S72MT	1
73	COMES WITH LID	LINER	1
73	COMES WITH LID	INSULATION BOARD	1
73	COMES WITH LID	LINER	1
74	H01269S	RIGHT HOOD	1
74	COMES WITH HOOD	RIGHT HOOD LINER	1
74	COMES WITH HOOD	HOOD INSULATION BOARD	1
75	H00356	LID PIVOT PIN	4
76	H00355	DEFORMED NUT, LID	4
77	H00205	TEMPERATURE SENOR NTC TYPE (118" LONG)	1
78	HC0396	DRAIN TUBING	1
		* NON STOCKING PART	



# **PARTS LIST FOR SANDWICH PREP HC (R290):**

**For modes:**

**S29-HC, S29-MT-HC, S29-SI-HC, S29-MT-SI-HC,  
S29-MT-2D-HC**

**S48-HC, S48-SI-HC, S48-4D-HC, S48-MT-HC,  
S48-MT-SI-HC, S48-MT-4D-HC,**

**S61-HC, S61-SI-HC, S61-4D-HC, S61-MT-HC,  
S61-MT-SI-HC**

**S72-HC, S72-SI-HC, S72-MT-HC, S72-MT-SI-HC**

