

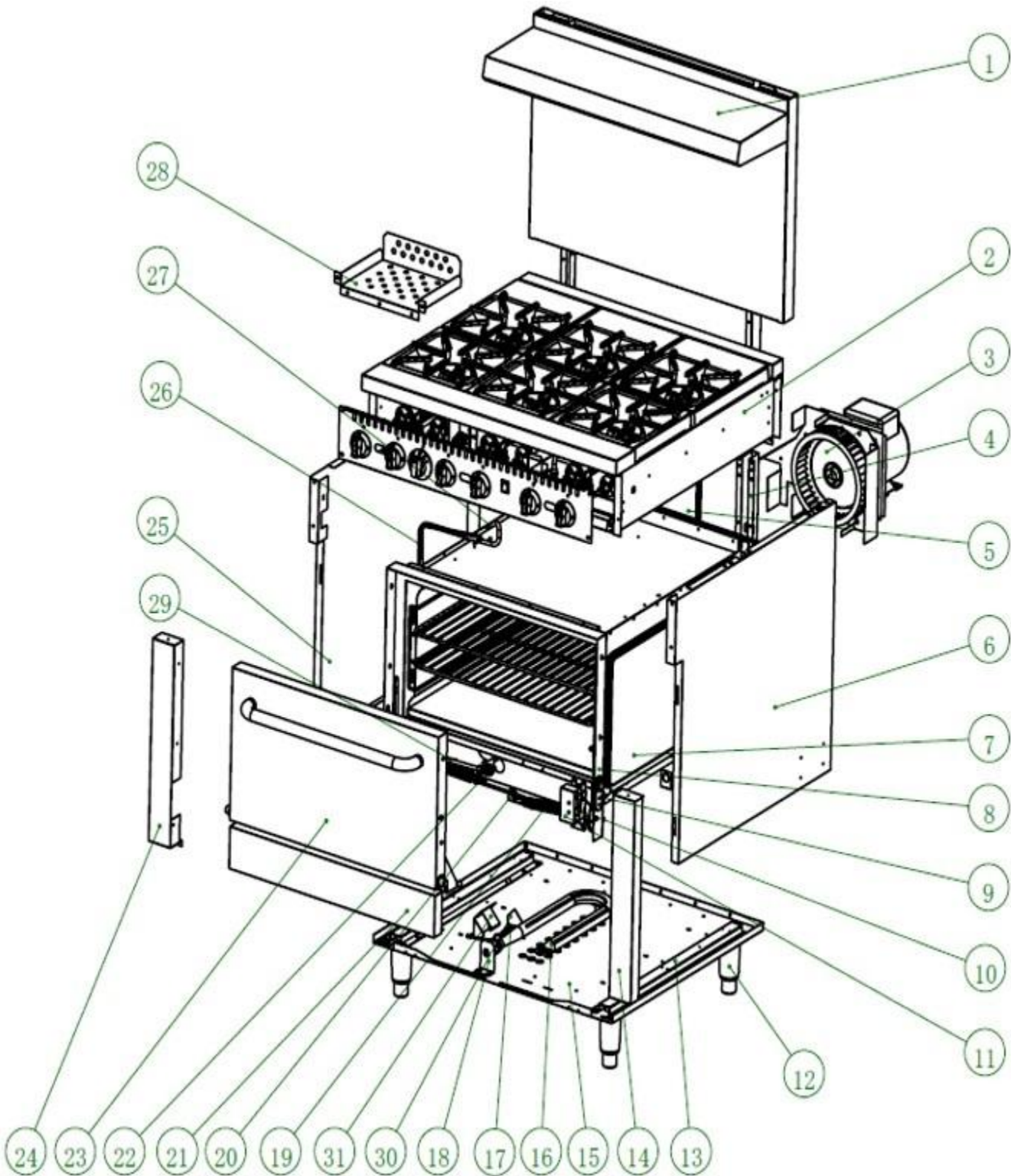


**Parts List for
36" GAS RANGE WITH
CONVECTION OVEN
MODEL: RC6-N, RC6-P, RC6-N-C, RC6-P-C**



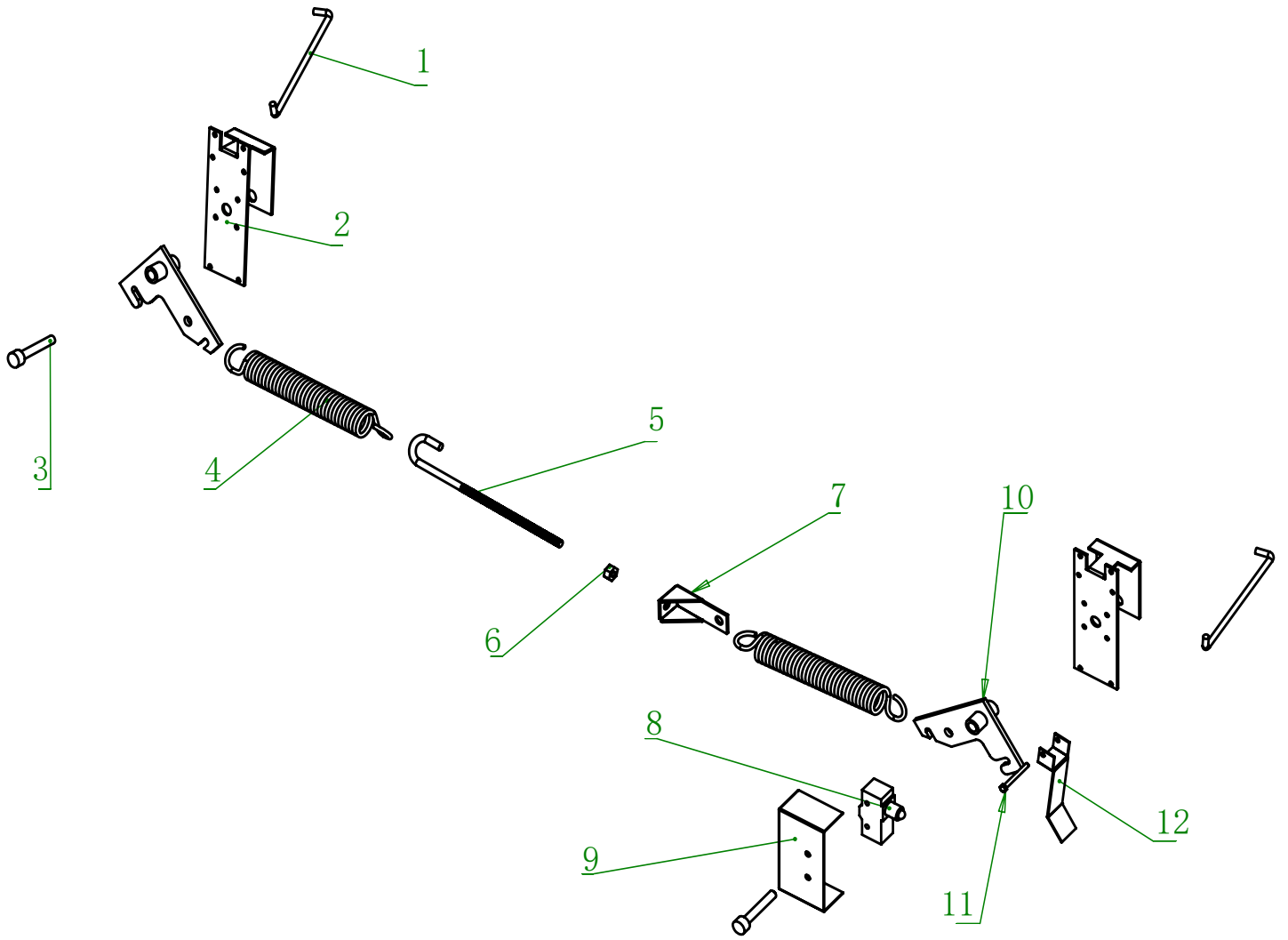
**TO PURCHASE PARTS
PLEASE CALL: 704-900-2068, OPTION #2
Email: entreparts@hagarrs.com
FOR TECH SUPPORT
Email: techsupport@entree.biz
Call: 570-752-4602**

**RC6 RANGE WITH CONVECTION OVEN
MAIN BODY**

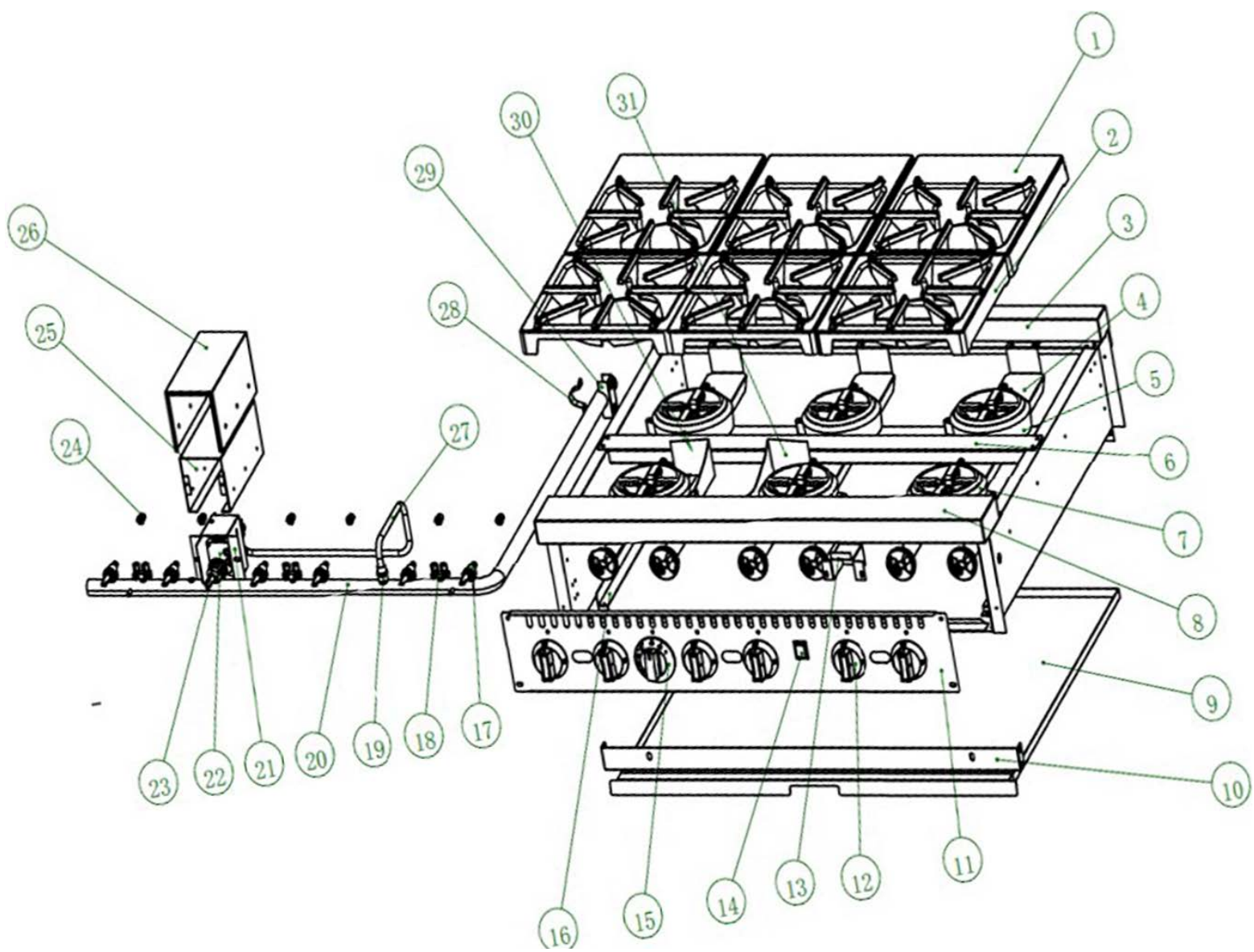


**MAIN SECTION
RANGE WITH CONVECTION OVEN**

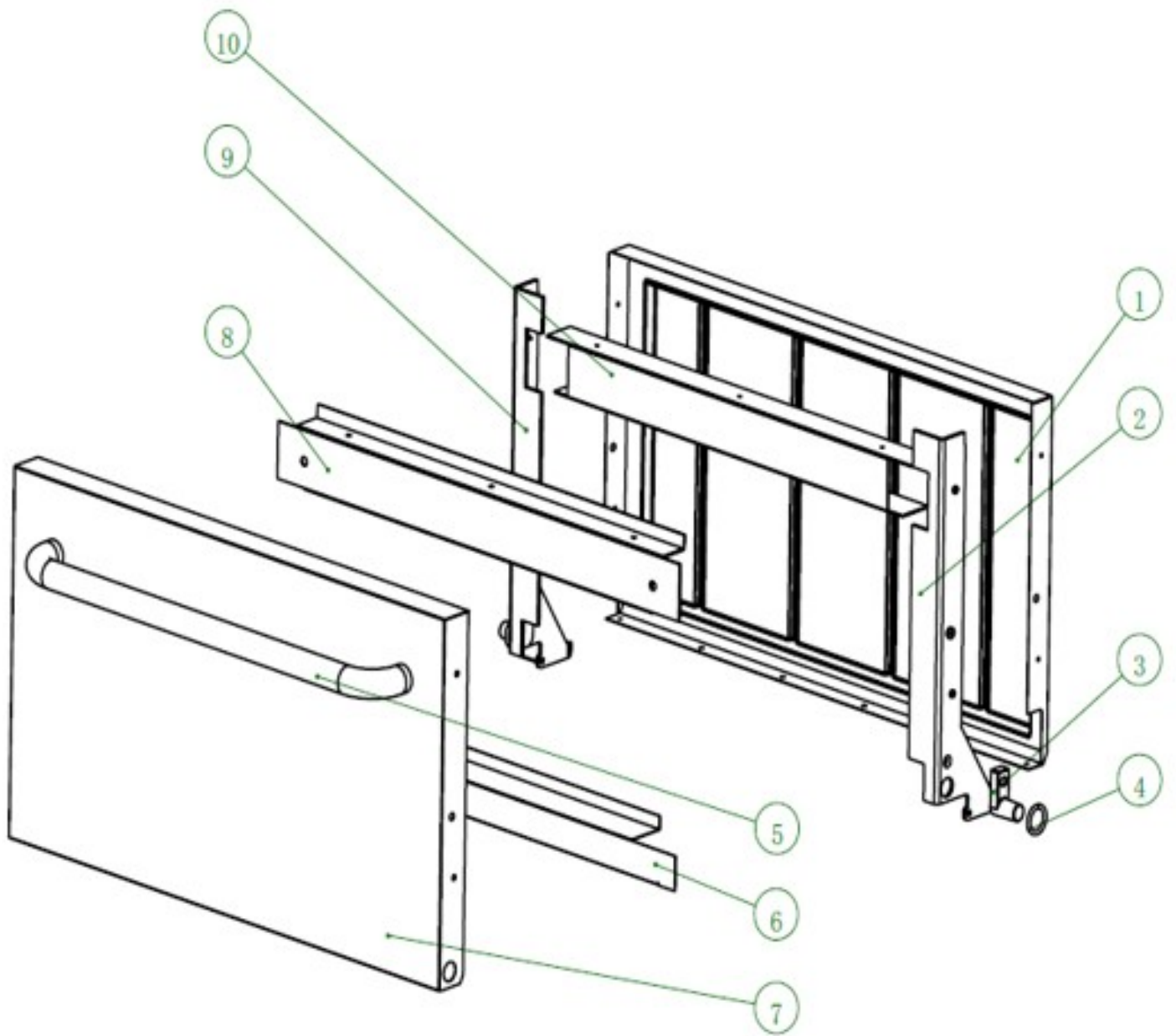
No.	PART #	DESCRIPTION	QTY
1	GR10065	HIGH SHELF ASSEMBLY 36"	1
2	NON-STOCKING	RANGE	1
3	GRC10010	MOTOR ASSEMBLY	1
4	GR10161	SHELF SUPPORT BRACKET	2
5	NON-STOCKING	INNER FLUE	1
6	GRC10060	RIGHT BODY SIDE (STANDARD FINISH)	1
	GRC10062	RIGHT BODY SIDE (STAINLESS STEEL FINISH)	*
7	NON-STOCKING	OVEN LINER	1
8	NON-STOCKING	FRONT FRAME	1
9	NON-STOCKING	DOOR RETAINER BRACKET	2
10	GRC10020	DOOR SWITCH ASSEMBLY (*See next page for more detail)	1
11	GRC10021	DOOR SWITCH HEAT SHIELD	1
12	GR10003.1	6" ADJUSTABLE LEG	4
	GR10085-1	SWIVEL CASTER W/BRAKE (FRONT)	2
	GR10086-1	SWIVEL CASTER W/O BRAKE (REAR)	2
13	NON-STOCKING	BASE FRAME STIFFENER	2
14	NON-STOCKING	RIGHT SIDE CHANEL	1
15	NON-STOCKING	MAIN BOTTOM PLATE	1
16	GC10001	U-SHAPED BURNER	1
17	GRC10023	PILOT SUPPORT BRACKET	1
18	NON-STOCKING	ORIFICE ELBOW SUPPORT BRACKET	1
19	GRC10024	DOOR SPRING (*See next page for more detail)	2
20	GRC10025	DOOR HOOK (*See next page for more detail)	1
21	GRC10091	LOWER FRONT PANEL	1
	GR10123	HINGE ASSEMBLY, LOWER FRONT PANEL	2
22	GR10009	ORIFICE ELBOW W/LOCKING NUT, COMPRESSOON FERRULE	1
23	GRC10226	RC6 DOOR ASSEMBLY W/ENTRÉE LOGO	1
24	GRC10065	LEFT CORNER COLUMN	1
25	GRC10122	LEFT BODY SIDE	1
26	Non-Stocking	PILOT TUBING	1
27	Non-Stocking	MAIN BURNER TUBING (Thermostat to Oven Orifice Elbow)	1
28	GRC10040	MOTOR MOUNTING BRACKET	1
29	GRC220135	Natural/liquefied gas regulating valve AP5-4	1
30	GRC10030	PILOT BURNER MOUNTING PLATE	1
31	GRC10031	PILOT BURNER COVER SHIELD	1



No.	Part #	Description	Qty
1	GRC190530	SPRING HOOK	2
2	GRC092036	BELL CRANK BRACKET	2
3	GRC210821	SHOULDER BOLT	2
4	GRC10024	DOOR SPRING	2
5	GRC202341	DOOR HOOK	1
6	GRC213138	SPRING ADJUSTING NUT	1
7	GRC092038	SPRING ADJUSTING BRACKET	1
8	GRC10021	DOOR SWITCH	1
9	GRC092039	DOOR SWITCH BRACKET	1
10	GRC150010	BELL CRANK	2
11	GRC210705	MOUNTING SCREW	1
12	GRC092037	DOOR SWITCH ACTUATOR	1

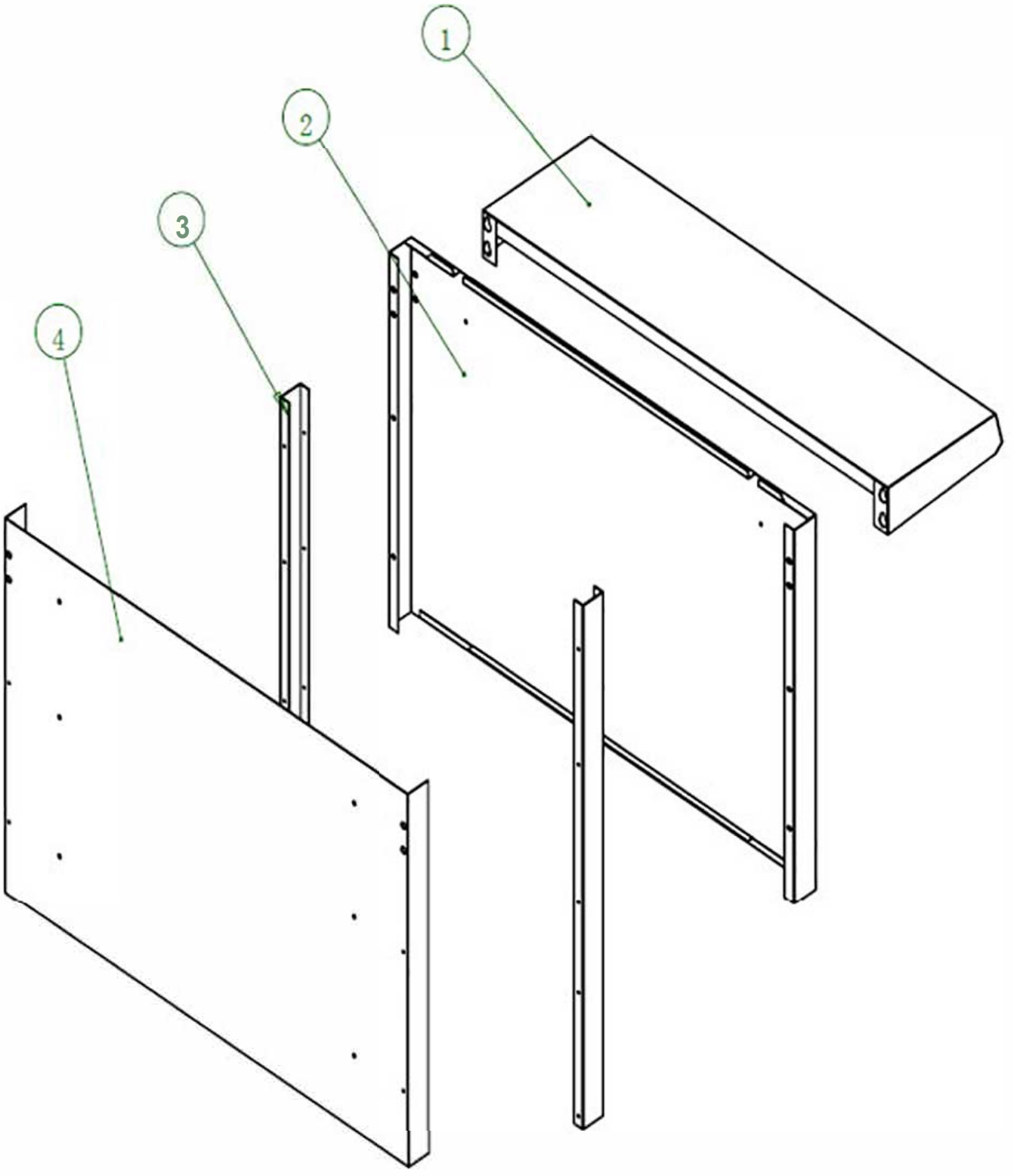


NO.	PART #	DESCRIPTION	QTY
1	GR10021R	REAR BURNER GRATE	3
2	GR10021	FRONT BURNER GRATE	3
3	N/A	BURNER BOX REAR	1
4	N/A	BURNER REST	3
5	GR10031	REAR BURNER ASSEMBLY	3
6	GR10152	TOP GRATE SUPPORT (36")	1
7	GR10032	FRONT BURNER ASSEMBLY	3
8	GRC10080	FRONT RAIL	1
9	GRC10081	CRUMB TRAY (RC6)	1
10	N/A	MANIFOLD MOUNTIN BRACKET	1
11	GRC10082	VALVE PANEL	1
12	GR10069	BURNER KNOB	6
13	GRC10083	POWER SWITCH BOX (WATER PROOF)	1
14	GRC10084	POWER SWITCH (WATER PROOF)	1
15	GRC10085	OVEN THERMOSTAT KNOB	1
16	N/A	GUIDE RAIL	2
17	GR10087	TOP BURNER GAS VALVE	6
18	GR10018	DUAL PILOT ADJUSTING VALVE	3
19	GRC202343	SIT VALVE CONNECTION	3
20	N/A	MANIFOLD	1
21	N/A	HEAT SHEILD	1
22	GRC220132	SIT THERMOSTAT	1
23	GRC202348	VALVE SWITCH ROD	1
24	GR10083	BURNER ORIFICE #51 DMS	6
24	GR10082	BURNER ORIFICE #36	6
25	N/A	HEAT SHEILD	1
26	N/A	INSULATION SHEILD	1
27	N/A	TUBING	1
28	N/A	PIPE CLAMP	1
29	N/A	MOUNTING BRACKET	1
30	N/A	BURNER HEAT SHEILD	1
31	N/A	BURNER HEAT SHEILD	1



GRC10226 - RC6 OVEN DOOR ASSEMBLY W/ENTREE LOGO

GRC10010 - RC MOTOR ASSEMBLY





**Parts List for
36" GAS RANGE WITH
CONVECTION OVEN
MODEL: RC6-N, RC6-P, RC6-N-C, RC6-P-C**



**TO PURCHASE PARTS
PLEASE CALL: 704-900-2068, OPTION #2
Email: entreparts@hagarrs.com
FOR TECH SUPPORT
Email: techsupport@entree.biz
Call: 570-752-4602**