



“R” Series Ranges Parts List

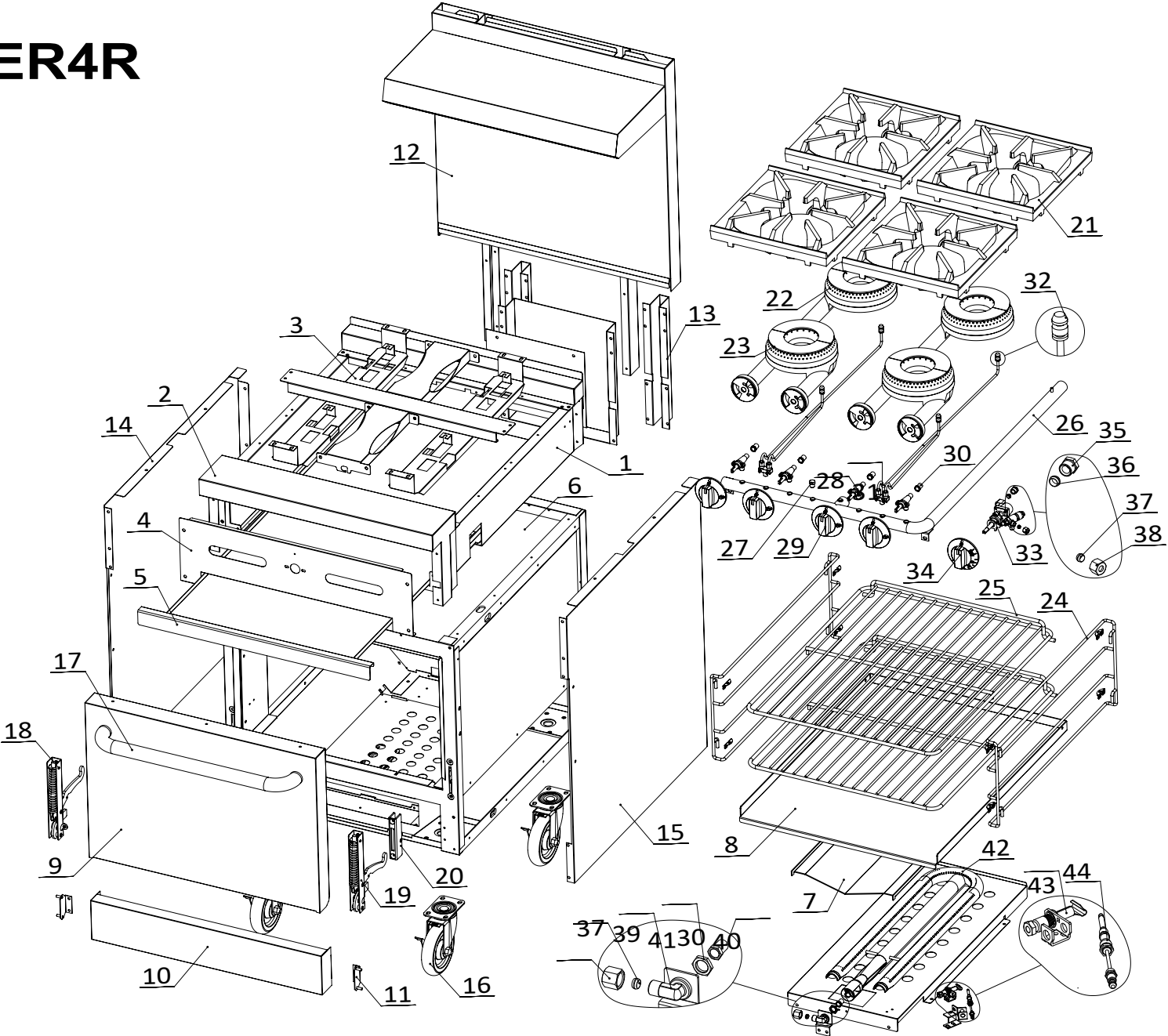


Model Shown: ER6RC-C

Entrée L.L.C.
Customer Service: (704) 900-2068
Email Technical Support: techsupport@entree.biz
Website: www.entree.biz



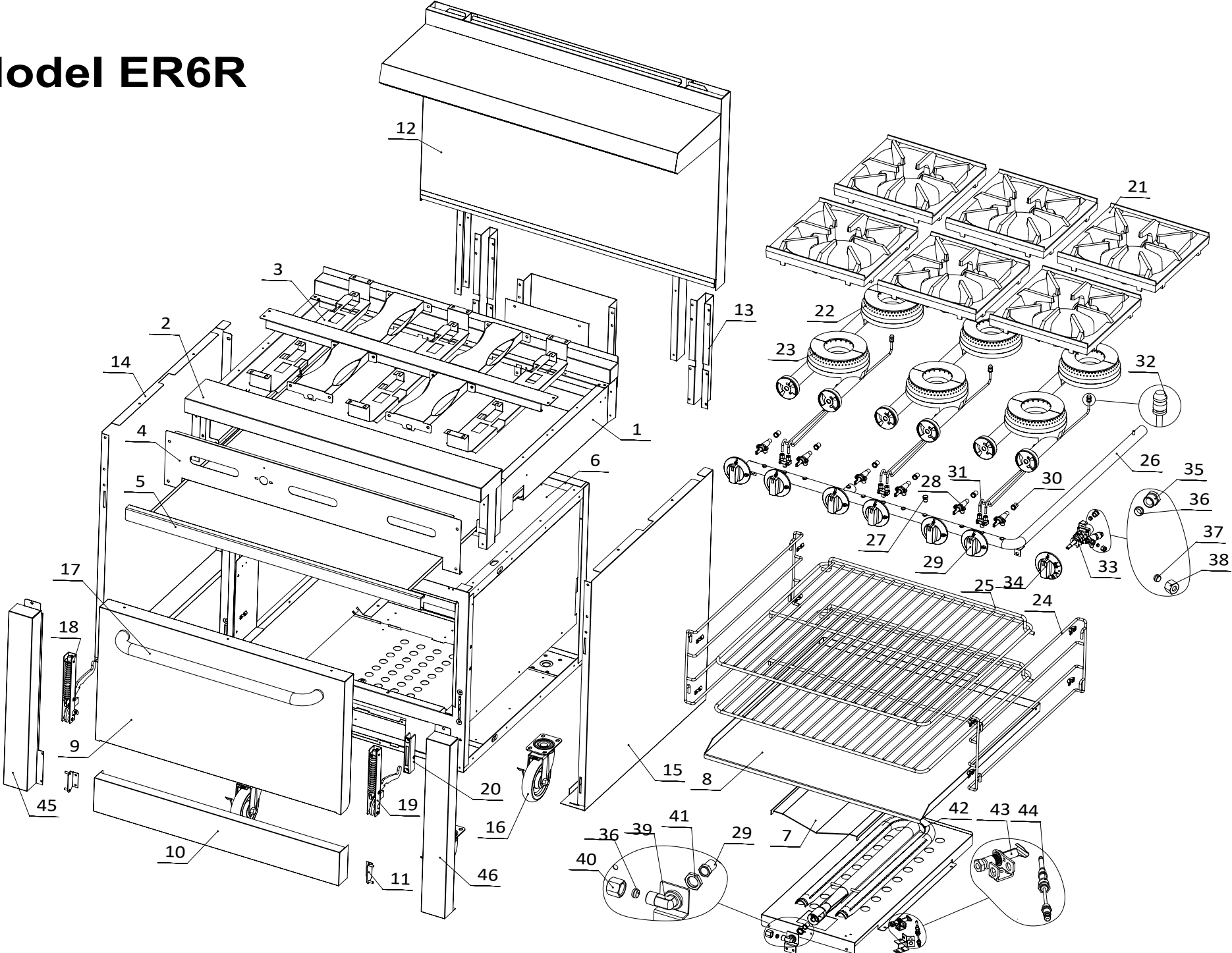
Model ER4R



Parts list for ER4R

NO	PART#	Description	Qty	NO	PART#	Description	Qty
1	NON STOCK	INNER BURNER BOX SIDE ASSEMBLY	1	23	GR10032R	OPEN BURNER FRONT	2
2	GR10324R	BULLNOSE ASSEMBLY 24"	1	24	GR10005R	OVEN RACK GUIDE (RIGHT & LEFT)	2
3	GR10150R	BURNER SUPPORT	2	25	GR10004R-5	OVEN RACK	2
4	GR10073R	VALVE PANEL 24"	1	26	NON STOCK	GAS MANIFOLD	1
5	GR10080R	CRUMB TRAY	1	27	GR10015R	PRESSURE TAP	1
6	NON STOCK	OVEN CAVITY ASSEMBLY	1	28	GR10087R	TOP BURNER VALVE	4
7	GR10165R	FLAME DIVERTER	1	29	GR10069R	BURNER KNOB	4
8	GR10159R	OVEN BOTTOM	1	30	GR100036R	ORIFICE FITTING NAT #36 (BOTH TOP AND OVEN BURNER)	5
9	GR10089R	24" OVEN DOOR ASSEMBLY W/ENTRÉE LOGO	1	30	GR100050R	ORIFICE FITTING LP #50 (OVEN)	1
10	GR10091R	KICK PANEL 24"	1	30	GR100051R	ORIFICE FITTING LP #51 (TOP BURNER ONLY)	4
11	GR10172R	KICK PANEL HINGE PLATE	2	31	GR10018R	DUAL PILOT ADJUSTMENT VALVE	2
12	GR10078R	HIGH SHELF ASSEMBLY	1	32	GC10003R	TOP BURNER PILOT	4
12	GR10076R	24" PLATE SHELF (INCLUDED IN GR10078R)	1*	33	GR18520R	OVEN THERMOSTAT/SAFETY VALVE W/COMPRESSION FITTINGS	1
12	GR10110R	24" FRONT PANEL (INCLUDED IN GR10078R)	1*	34	GR10070R	OVEN THERMOSTAT KNOB	1
12	GR10064R	SUPPORT BRACKETS (INCLUDED IN GR10078R)	2*	35	**	INCLUDED IN #33	1
12	GR10108R	24" REAR PANEL (INCLUDED IN GR10078R)	1*	36	**	INCLUDED IN #39	4
13	GR10066R	SLIDE RAIL SUPPORT FOR HIGH SHELF	2	37	**	INCLUDED IN #33	3
14	GR10158R	LEFT BODY SIDE	1	38	**	INCLUDED IN #33	1
15	GR10121R	RIGHT BODY SIDE	1	39	GR10009R	ORIFICE ELBOW FITTING WITH NUT & COMPRESSION FITTINGS	1
16	GR10086R	CASTER W/BRAKE 5"	4	40	**	INCLUDED IN #39	1
16	GRS10004R	CASTER SET 4 SWIVEL W/BRAKE, (WITH MOUNTING HARDWARE)	SET	41	**	INCLUDED IN #39	1
17	GR10081R-24	DOOR HANDLE	1	42	GR11008R	U SHAPE OVEN BURNER	1
18	GR10012R-1	HINGE, DOOR LEFT	1	43	GR10075R-N	OVEN PILOT NAT	1
19	GR10013R-1	HINGE, DOOR RIGHT	1	43	GR100016R	ORIFICE FITTING NAT OVEN PILOT (0.016"/#16)	1
20	GR10014R	HINGE BRACKET	2	43	GR10075R-P	OVEN PILOT LP	1
21	GR10021R	BURNER GRATE	4	43	GR100010R	ORIFICE FITTING LP OVEN PILOT (0.010"/#10)	1
22	GR10031R	OPEN BURNER REAR	2	44	GR10075R	THERMOCOUPLE	1

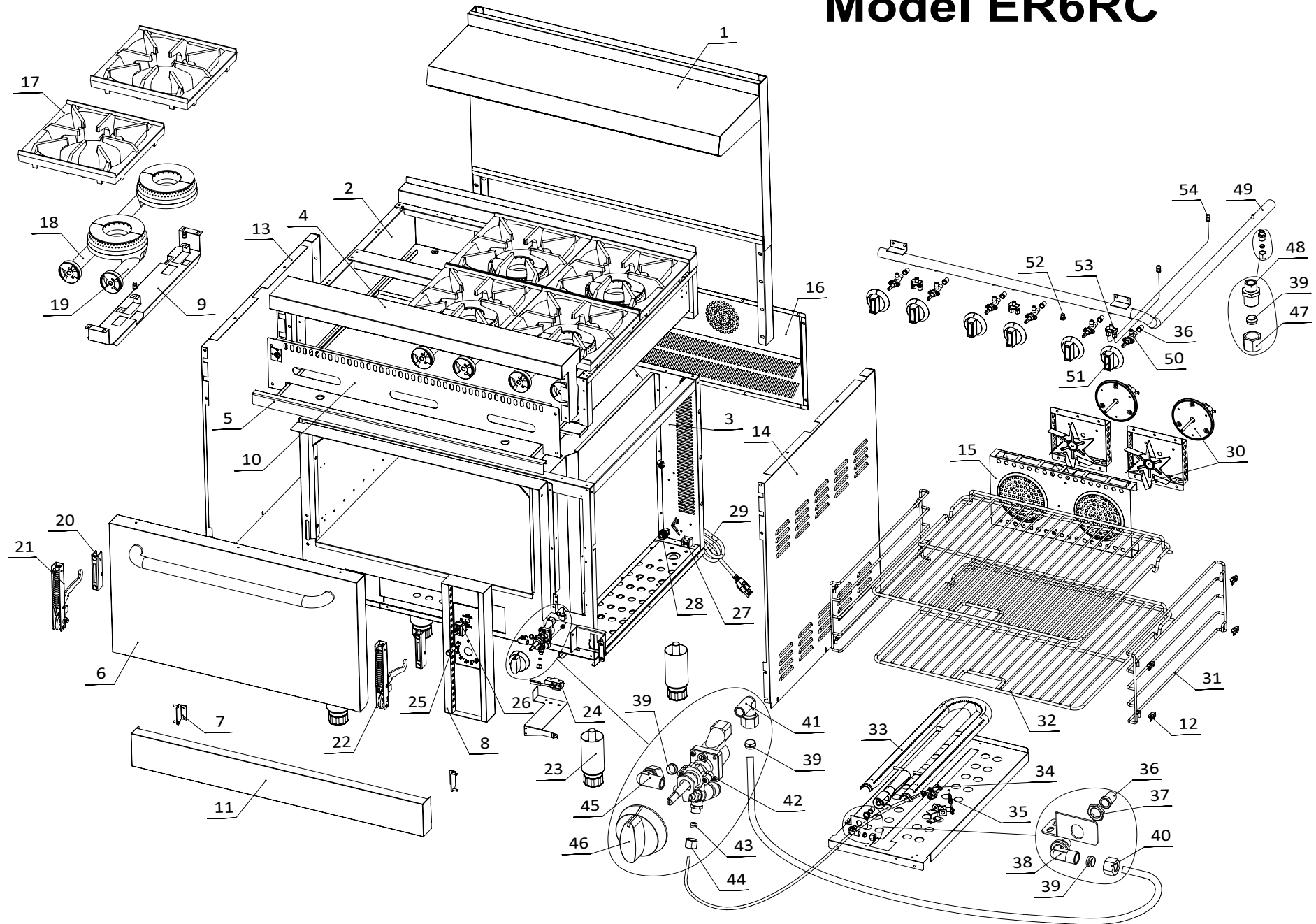
Model ER6R



Parts List for ER6R

NO	Part #	Description	Qty	NO	Part #	Description	Qty
1	NON STOCK	INNER BURNER BOX SIDE ASSEMBLY	1	24	GR10005R	OVEN RACK GUIDE (RIGHT & LEFT)	2
2	GR10166R	BULLNOSE ASSEMBLY 36"	1	25	GR10004R	OVEN RACK	2
3	GR10150R	BURNER SUPPORT	3	26	NON STOCK	GAS MANIFOLD	1
4	GR10167R	VALVE PANEL 36"	1	27	GR10015R	PRESSURE TAP	1
5	GR10024R	CRUMB TRAY	1	28	GR10087R	TOP BURNER VALVE	6
6	NON STOCK	OVEN CAVITY ASSEMBLY	1	29	GR10069R	BURNER KNOB	6
7	GR10165R	FLAME DIVERTER	1	30	GR100036R	ORIFICE FITTING NAT #36 (BOTH TOP AND OVEN BURNER)	7
8	GR10164R	OVEN BOTTOM	1	30	GR100051R	ORIFICE FITTING LP #51 (TOP BURNER ONLY)	6
9	GR10026R	36" OVEN DOOR ASSEMBLY W/ENTRÉE LOGO	1	30	GR100050R	ORIFICE FITTING LP #50 (OVEN)	1
10	GR10091R	KICK PANEL 36"	1	31	GR10018R	DUAL PILOT ADJUSTMENT VALVE	3
11	GR10172R	KICK PANEL HINGE PLATE	2	32	GC10003R	TOP BURNER PILOT	6
12	GR10027R	HIGH SHELF ASSEMBLY	1	33	GR18520R	OVEN THERMOSTAT/SAFETY VALVE W/COMPRESSION FITTINGS	1
12	GR10065R	36" PLATE SHELF (INCLUDED WITH GR10027R)	1*	34	GR10070R	OVEN THERMOSTAT KNOB	1
12	GR10062R	36" FRONT PANEL (INCLUDED WITH GR10027R)	1*	35	**	INCLUDED IN #33	1
12	GR10064R	SUPPORT BRACKETS (INCLUDED WITH GR10027R)	2*	36	**	INCLUDED IN #39	4
12	GR10063R	36" REAR PANEL (INCLUDED WITH GR10027R)	1*	37	**	INCLUDED IN #33	3
13	GR10066R	SLIDE RAIL SUPPORT FOR HIGH SHELF	2	38	**	INCLUDED IN #33	1
14	GR10158R	LEFT BODY SIDE	1	39	GR10009R	ORIFICE ELBOW FITTING WITH NUT & COMPRESSION FITTINGS	1
15	GR10121R	RIGHT BODY SIDE	1	40	**	INCLUDED IN #39	1
16	GR10086R	CASTER W/BRAKE 5"	4	41	**	INCLUDED IN #39	1
16	GRS10004R	CASTER SET 4 SWIVEL W/BRAKE, (WITH MOUNTING HARDWARE)	SET	42	GR11008R	U SHAPE OVEN BURNER	1
17	GR10081R-36	DOOR HANDLE	1	43	GR10075R-P	OVEN PILOT LP	1
18	GR10012R-1	HINGE, DOOR LEFT	1	43	GR100010R	ORIFICE FITTING LP OVEN PILOT (0.010"/#10)	*
19	GR10013R-1	HINGE, DOOR RIGHT	1	43	GR10075N	OVEN PILOT NAT	1
20	GR10014R	HINGE BRACKET	2	43	GR100016R	ORIFICE FITTING NAT OVEN PILOT (0.016"/#16)	*
21	GR10021R	BURNER GRATE	6	44	GR10075R	THERMOCOUPLE	1
22	GR10031R	OPEN BURNER REAR	3	45	GR2002LR	LEFT CORNER COLUMN	1
23	GR10032R	OPEN BURNER FRONT	3	46	GR2003RR	RIGHT CORNER COLUMN	1

Model ER6RC

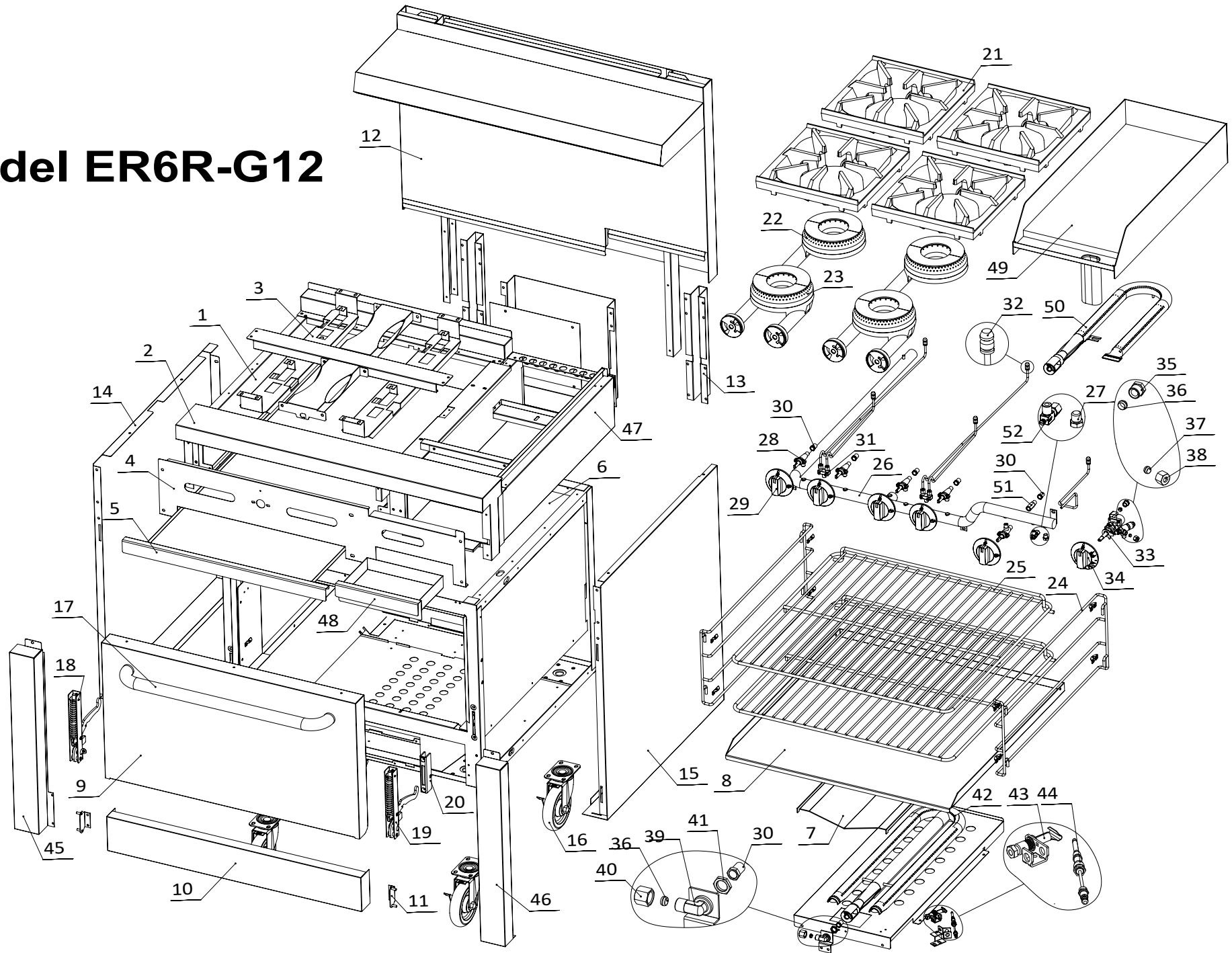


Parts List for ER6RC

NO	Part #	Description	Qty
1	GRC73003	HIGH SHELF ASSEMBLY	1
2	NON STOCK	BURNER BOX SIDE	1
3	NON STOCK	REAR COVER	1
4	GRC73017	BULL NOSE	1
5	GRC073004	CRUMB TRAY	1
6	GRC73027	OVEN DOOR ASSY	1
7	GR10172R	KICK PANEL HINGE PLATE	2
8	GRC73030	CONTROL BOX	1
9	GRC73006	BURNER SUPPORT	3
10	GRC73084	VALVE PANEL (RC)	1
11	GRC55084	KICK PLATE	1
12	GRC73035	OVEN RACK MOUNTING BRACKET	8
13	GRC73103	LEFT BODY SIDE	1
14	GRC73104	RIGHT BODY SIDE	1
15	GRC73009	AIR BAFFLE	1
16	GRC73041	REAR COVER	1
17	GR10021R	BURNER GRATE	6
18	GR10031R	OPEN BURNER REAR	3
19	GR10032R	OPEN BURNER FRONT	3
20	GR10014R	HINGE BRACKET	2
21	GRC05191L	HINGE, DOOR LEFT	1
22	GRC05182L	HINGE, DOOR RIGHT	1
23	GR10003R	6" ADJUSTABLE LEG	Optional
23	GR10086R	CASTER W/BRAKE 5"	4
23	GRS10004R	CASTER SET 4 SWIVEL W/BRAKE, (WITH MOUNTING HARDWARE)	SET
24	GRC73011	DOOR SWITCH	1
25	GRC01628L	HEAT INDICATOR LAMP	1
26	GRC01855I	TOGGLE SWITCH (FAN)	1
27	GRC00628	TERMINAL BLOCK	1
28	GRC00782	POWER CORD BUSHING	1

NO	Part #	Description	Qty
29	GRC01782L	POWER CORE NEMA 5-15P	1
30	GRC02617L	MOTOR ASSEMBLY	2
31	GRC76821R	OVEN RACK GUIDE (RIGHT & LEFT)	2
32	GRC07691L	OVEN RACK	2
33	GR11008R	U SHAPE OVEN BURNER	1
34	GR10075N	OVEN PILOT NAT	1
34	GR10075R-P	OVEN PILOT LP	1
35	GR10075R	THERMOCOUPLE	1
36	GR100035R	ORIFICE FITTING NAT #35 (OVEN BURNER)	1
36	GR100036R	ORIFICE FITTING NAT #36 (TOP BURNERS)	1
36	GR100050R	ORIFICE FITTING LP #50 (OVEN)	1
37	GR400582	LOCK NUT	1
38	GRC01946L	ORIFICE ELBOW FITTING WITH NUT & COMPRESSION FITTINGS	1
39	**	INCLUDED IN #39	6
40	**	INCLUDED IN #38	1
41	GR400300	ELBOW W/COMPRESSION FITTING	1
42	GR18520R	OVEN THERMOSTAT/SAFETY VALVE W/COMPRESSION FITTINGS	1
43	**	INCLUDED IN #44	3
44	**	INCLUDED IN #42	1
45	GRC22128L	ELBOW W/COMPRESSION FITTING	1
46	GRC10070R	OVEN THERMOSTAT KNOB	1
47	**	INCLUDED IN #48	1
48	GRC21591L	TUBING CONNECTOR C/W COMPRESSION FITTINGS	1
49	NON STOCK	GAS MANIFOLD	1
50	GR10087R	TOP BURNER VALVE	3
51	GR10069R	BURNER KNOB	6
52	GR10015R	PRESSURE TAP	1
53	GR10018R	DUAL PILOT ADJUSTMENT VALVE	3
54	GC10003R	TOP BURNER PILOT	6
36	GR100051R	ORIFICE FITTING LP #51 (TOP BURNER ONLY)	6

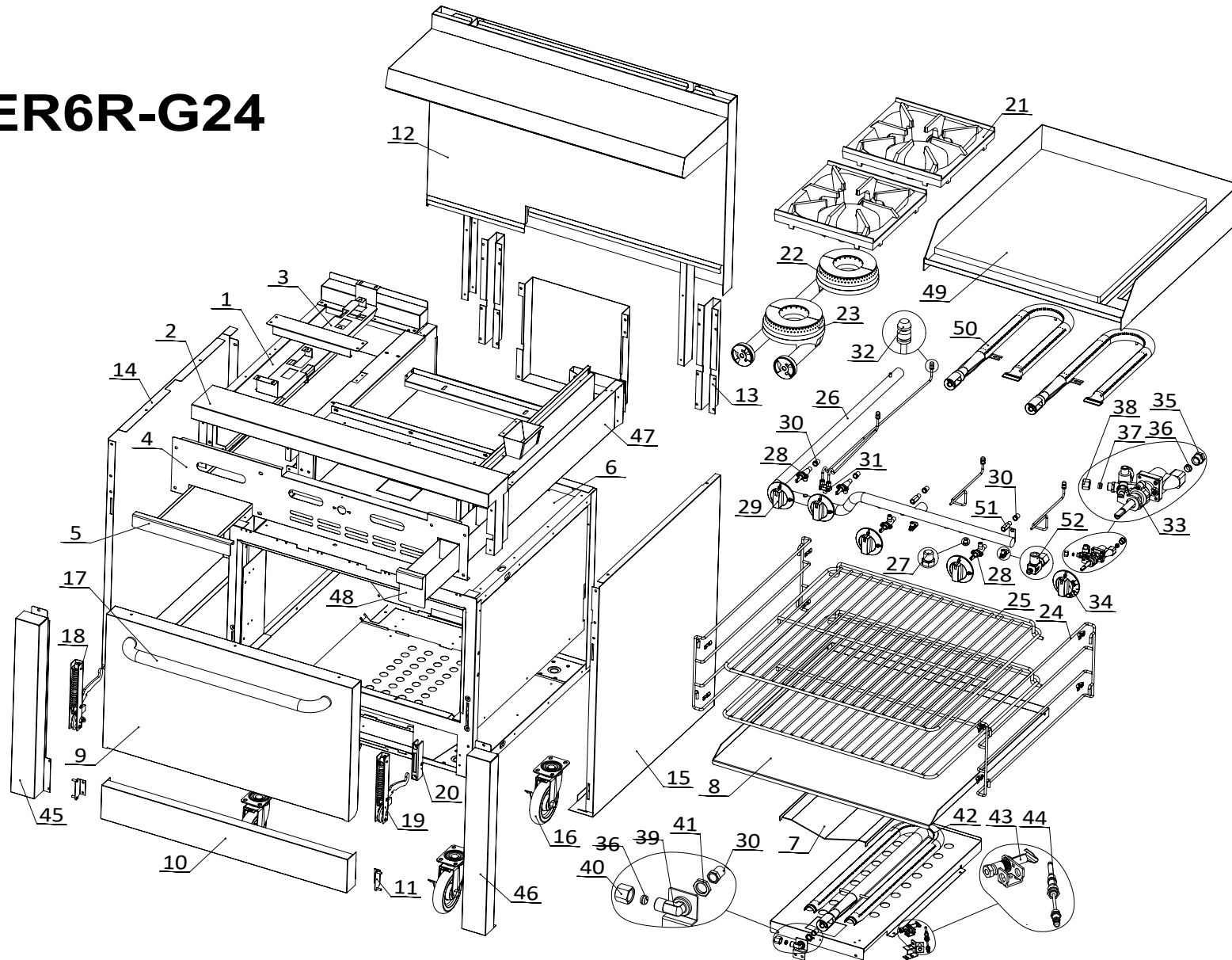
Model ER6R-G12



Parts List for ER6R-G12

NO	Part #	Description	Qty	NO	Part #	Description	Qty
1	NON STOCK	INNER BURNER BOX SIDE ASSEMBLY	1	28	GR10087R	TOP BURNER VALVE	5
2	GR10166R-12	BULLNOSE ASSEMBLY (W/12" GRIDDLE)	1	29	GR10069R	BURNER KNOB	5
3	GR10150R	BURNER SUPPORT	2	30	GR100036R	ORIFICE FITTING NAT #36 (BOTH TOP AND OVEN BURNER)	5
4	GR10167R-12	VALVE PANEL 36-12	1	30	GR100044R	ORIFICE FITTING NAT #44 (GRIDDLE)	2
5	GR10080R	CRUMB TRAY	1	30	GR100051R	ORIFICE FITTING LP #51 (TOP BURNER ONLY)	4
6	NON STOCK	OVEN CAVITY ASSEMBLY	1	30	GR100054R	ORIFICE FITTING LP #54 (GRIDDLE)	1
7	GR10165R	FLAME DIVERTER	1	30	GR100050R	ORIFICE FITTING LP #50 (OVEN)	1
8	GR10164R	OVEN BOTTOM	1	31	GR10018R	DUAL PILOT ADJUSTMENT VALVE	2
9	GR10026R	36" OVEN DOOR ASSEMBLY W/ENTRÉE LOGO	1	32	GC10003R	TOP BURNER PILOT	5
10	GR10091R	KICK PANEL 36"	1	33	GR18520R	OVEN THERMOSTAT/SAFETY VALVE W/COMPRESSION FITTINGS	1
11	GR10172R	KICK PANEL HINGE PLATE	2	34	GR10070R	OVEN THERMOSTAT KNOB	1
12	GR10027R-12	HIGH SHELF ASSEMBLY (FOR 12" GRIDDLE)	1	35	**	INCLUDED IN #33	1
12	GR10065R-12	36" PLATE SHELF (INCLUDED WITH GR10027R)	1*	36	**	INCLUDED IN #39	4
12	GR10062R-12	36" FRONT PANEL (INCLUDED WITH GR10027R)	1*	37	**	INCLUDED IN #33	3
12	GR10064R	SUPPORT BRACKETS (INCLUDED WITH GR10027R)	2*	38	**	INCLUDED IN #33	1
12	GR10063R	36" REAR PANEL (INCLUDED WITH GR10027R)	1*	39	GR10009R	ORIFICE ELBOW FITTING WITH NUT & COMPRESSION FITTINGS	1
13	GR10066R	SLIDE RAIL SUPPORT FOR HIGH SHELF	2	40	**	INCLUDED IN #39	1
14	GR10158R	LEFT BODY SIDE	1	41	**	INCLUDED IN #39	1
15	GR10121R	RIGHT BODY SIDE	1	42	GR11008R	U SHAPE OVEN BURNER	1
16	GR10086R	CASTER W/BRAKE 5"	4	43	GR10075R-P	OVEN PILOT LP	1
16	GRS10004R	CASTER SET 4 SWIVEL W/BRAKE, (WITH MOUNTING HARDWARE)	SET	43	GR100010R	ORIFICE FITTING LP OVEN PILOT (0.010"/#10)	*
17	GR10081R-36	DOOR HANDLE	1	43	GR10075N	OVEN PILOT NAT	1
18	GR10012R-1	HINGE, DOOR LEFT	1	43	GR100016R	ORIFICE FITTING NAT OVEN PILOT (0.016"/#16)	*
19	GR10013R-1	HINGE, DOOR RIGHT	1	44	GR10075R	THERMOCOUPLE	1
20	GR10014R	HINGE BRACKET	2	45	GR2002LR	LEFT CORNER COLUMN	1
21	GR10021R	BURNER GRATE	4	46	GR2003RR	RIGHT CORNER COLUMN	1
22	GR10031R	OPEN BURNER REAR	2	47	NON STOCK	BURNER BOX GRIDDLE	1
23	GR10032R	OPEN BURNER FRONT	2	48	GR10103R-12	GREASE CONTAINER	1
24	GR10005R	OVEN RACK GUIDE (RIGHT & LEFT)	2	49	NON STOCK	Griddle Plate Assy	1
25	GR10004R	OVEN RACK	2	50	GR10001R	GRIDDLE BURNER	1
26	NON STOCK	GAS MANIFOLD	1	51	GR20001R	ORIFICE EXTENSION	1
27	GR10015R	PRESSURE TAP	1	52	GC10005R	SINGLE PILOT ADJUSTMENT VALVE	1

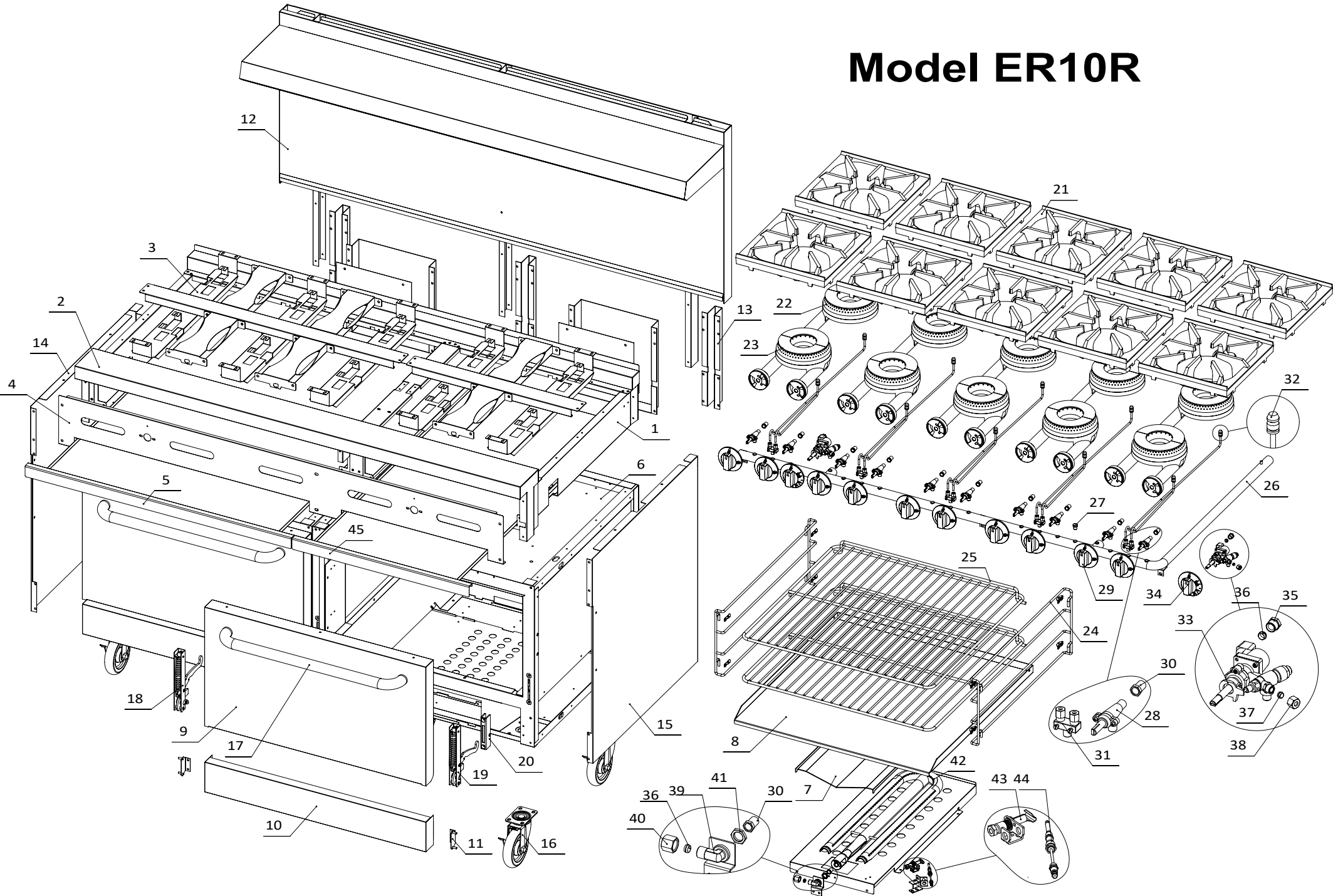
Model ER6R-G24



Parts List for ER6R-G24

NO	Part #	Description	Qty	NO	Part #	Description	Qty
1	NON STOCK	INNER BURNER BOX SIDE ASSEMBLY	1	28	GR10087R	TOP BURNER VALVE	4
2	GR10166R-24	BULLNOSE ASSEMBLY (W/24" GRIDDLE)	1	29	GR10069R	BURNER KNOB	4
3	GR10150R	BURNER SUPPORT	1	30	GR100036R	ORIFICE FITTING NAT #36 (BOTH TOP AND OVEN BURNER)	3
4	GR10167R-24	VALVE PANEL 36-24	1	30	GR100044R	ORIFICE FITTING NAT #36 (BOTH TOP AND OVEN BURNER)	2
5	GR10105R	CRUMB TRAY	1	30	GR100051R	ORIFICE FITTING LP #51 (TOP BURNER ONLY)	2
6	NON STOCK	OVEN CAVITY ASSEMBLY	1	30	GR100054R	ORIFICE FITTING LP #54 (GRIDDLE)	2
7	GR10165R	FLAME DIVERTER	1	30	GR100050R	ORIFICE FITTING LP #50 (OVEN)	1
8	GR10164R	OVEN BOTTOM	1	31	GR10018R	DUAL PILOT ADJUSTMENT VALVE	1
9	GR10026R	36" OVEN DOOR ASSEMBLY W/ENTRÉE LOGO	1	32	GC10003R	TOP BURNER PILOT	4
10	GR10091R	KICK PANEL 36"	1	33	GR18520R	OVEN THERMOSTAT/SAFETY VALVE W/COMPRESSION FITTINGS	1
11	GR10172R	KICK PANEL HINGE PLATE	2	34	GR10070R	OVEN THERMOSTAT KNOB	1
12	GR10027R-24	HIGH SHELF ASSEMBLY	1	35	**	INCLUDED IN #33	1
12	GR10065R-24	36" PLATE SHELF (INCLUDED WITH GR10027R-24)	1*	36	**	INCLUDED IN #39	4
12	GR10062R-24	36" FRONT PANEL (INCLUDED WITH GR10027R-24)	1*	37	**	INCLUDED IN #33	3
12	GR10064R	SUPPORT BRACKETS (INCLUDED WITH GR10027R-24)	2*	38	**	INCLUDED IN #33	1
12	GR10063R	36" REAR PANEL (INCLUDED WITH GR10027R-24)	1*	39	GR10009R	ORIFICE ELBOW FITTING WITH NUT & COMPRESSION FITTINGS	1
13	GR10066R	SLIDE RAIL SUPPORT FOR HIGH SHELF	2	40	**	INCLUDED IN #39	1
14	GR10158R	LEFT BODY SIDE	1	41	**	INCLUDED IN #39	1
15	GR10121R	RIGHT BODY SIDE	1	42	GR11008R	U SHAPE OVEN BURNER	1
16	GR10086R	CASTER W/BRAKE 5"	4	43	GR10075R-P	OVEN PILOT LP	1
16	GRS10004R	CASTER SET 4 SWIVEL W/BRAKE, (WITH MOUNTING HARDWARE)	SET	43	GR100010R	ORIFICE FITTING LP OVEN PILOT (0.010"/#10)	*
17	GR10081R-36	DOOR HANDLE	1	43	GR10075N	OVEN PILOT NAT	1
18	GR10012R-1	HINGE, DOOR LEFT	1	43	GR100016R	ORIFICE FITTING NAT OVEN PILOT (0.016"/#16)	*
19	GR10013R-1	HINGE, DOOR RIGHT	1	44	GR10075R	THERMOCOUPLE	1
20	GR10014R	HINGE BRACKET	2	45	GR2002LR	LEFT CORNER COLUMN	1
21	GR10021R	BURNER GRATE	2	46	GR2003RR	RIGHT CORNER COLUMN	1
22	GR10031R	OPEN BURNER REAR	1	47	NON STOCK	BURNER BOX GRIDDLE	1
23	GR10032R	OPEN BURNER FRONT	1	48	GR10103R-24	GREASE CONTAINER	1
24	GR10005R	OVEN RACK GUIDE (RIGHT & LEFT)	2	49	NON STOCK	GRIDDLE PLATE ASSY.	1
25	GR10004R	OVEN RACK	2	50	GR10001R	GRIDDLE BURNER	2
26	NON STOCK	GAS MANIFOLD	1	51	GR20001R	ORIFICE EXTENSION	2
27	GR10015R	PRESSURE TAP	1	52	GC10005R	SINGLE PILOT ADJUSTMENT VALVE	2

Model ER10R

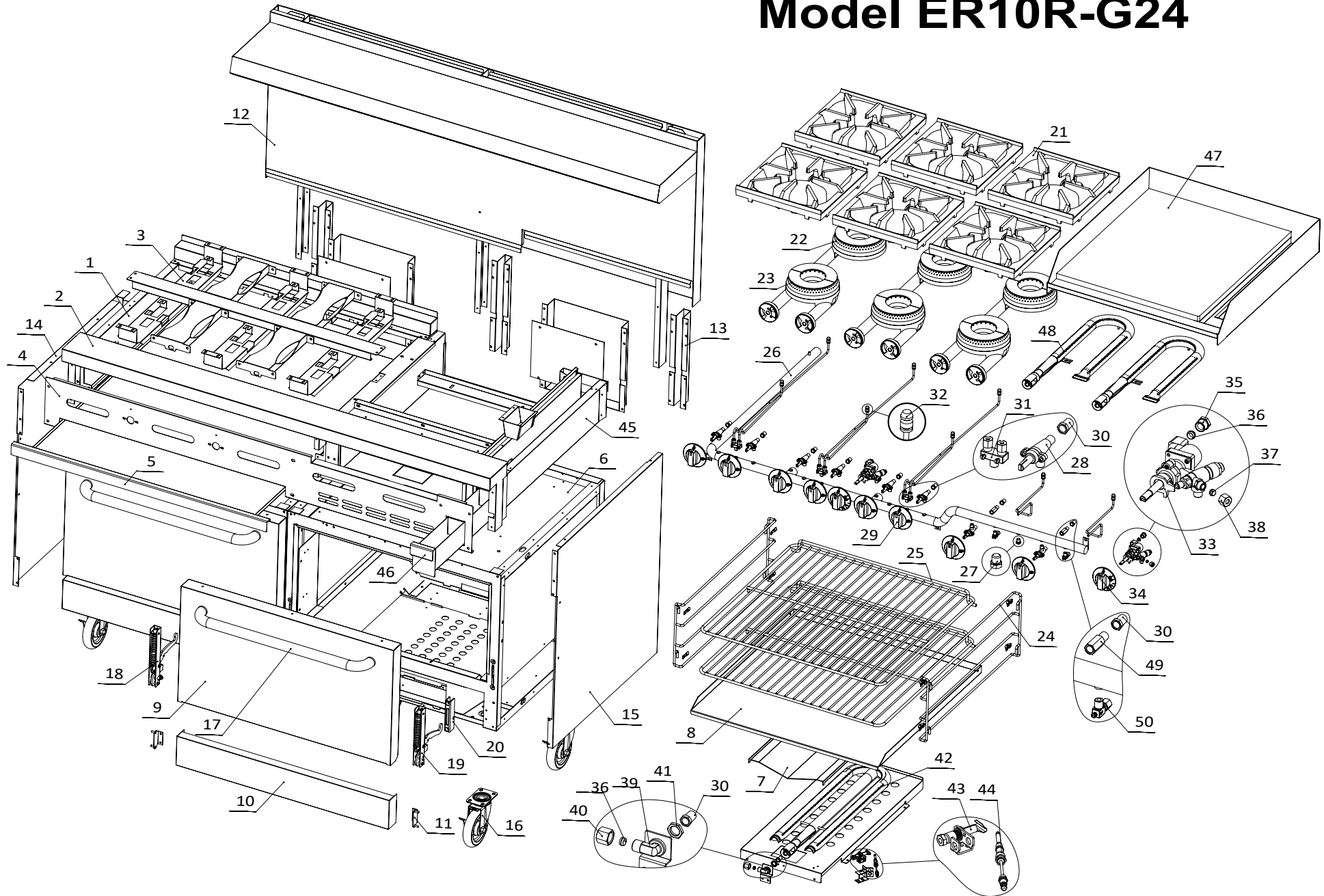


Parts List for RGR10R

NO	Part #	Description	Qty
1	NON STOCK	INNER BURNER BOX SIDE ASSEMBLY	1
2	GR10168R	BULLNOSE ASSEMBLY 60"	1
3	GR10150R	BURNER SUPPORT	5
4	GR10169R	VALVE PANEL 60"	1
5	GR10024R	CRUMB TRAY	1
6	NON STOCK	OVEN CAVITY ASSEMBLY	1
7	GR10165R	FLAME DIVERTER	2
8	GR10164R	OVEN BOTTOM	2
9	GR10026R	36" OVEN DOOR ASSEMBLY W/ENTRÉE LOGO	2
10	GR10091R	KICK PANEL 36"	2
11	GR10172R	KICK PANEL HINGE PLATE	4
12	GR10079R	HIGH SHELF ASSEMBLY 60"	1
12	GR10077R	60" PLATE SHELF (INCLUDED WITH GR10079R)	1*
12	GR10111R	60 FRONT PANEL (INCLUDED WITH GR10079R)	1*
12	GR10064R	SUPPORT BRACKETS (INCLUDED WITH GR10079R)	2*
12	GR10109R	60" REAR PANEL (INCLUDED WITH GR10079R)	1*
13	GR10066R	SLIDE RAIL SUPPORT FOR HIGH SHELF	3
14	GR10158R	LEFT BODY SIDE	1
15	GR10121R	RIGHT BODY SIDE	1
16	GR10086R	CASTER W/BRAKE 5"	6
16	GRS10006R	CASTER SET 6 SWIVEL W/BRAKE, (WITH MOUNTING HARDWARE)	1*
17	GR10081R-36	DOOR HANDLE	2
18	GR10012R-1	HINGE, DOOR LEFT	2
19	GR10013R-1	HINGE, DOOR RIGHT	2
20	GR10014R	HINGE BRACKET	4
21	GR10021R	BURNER GRATE	10
22	GR10031R	OPEN BURNER REAR	5
23	GR10032R	OPEN BURNER FRONT	5

NO	Part #	Description	Qty
24	GR10005R	OVEN RACK GUIDE (RIGHT & LEFT)	4
25	GR10004R	OVEN RACK	4
26	NON STOCK	GAS MANIFOLD	1
27	GR10015R	PRESSURE TAP	1
28	GR10087R	TOP BURNER VALVE	10
29	GR10069R	BURNER KNOB	10
30	GR100036R	ORIFICE FITTING NAT #36 (BOTH TOP AND OVEN BURNER)	12
30	GR100051R	ORIFICE FITTING LP #51 (TOP BURNER ONLY)	10
30	GR100050R	ORIFICE FITTING LP #50 (OVEN)	2
31	GR10018R	DUAL PILOT ADJUSTMENT VALVE	5
32	GC10003R	TOP BURNER PILOT	10
33	GR18520R	OVEN THERMOSTAT/SAFETY VALVE W/COMPRESSION FITTINGS	2
34	GR10070R	OVEN THERMOSTAT KNOB	2
35	**	INCLUDED IN #33	2
36	**	INCLUDED IN #39	8
37	**	INCLUDED IN #33	6
38	**	INCLUDED IN #33	2
39	GR10009R	ORIFICE ELBOW FITTING WITH NUT & COMPRESSION FITTINGS	2
40	**	INCLUDED IN #39	2
41	**	INCLUDED IN #39	2
42	GR11008R	U SHAPE OVEN BURNER	2
43	GR10075R-P	OVEN PILOT LP	2
43	GR100010R	ORIFICE FITTING LP OVEN PILOT (0.010"/#10)	*
43	GR10075N	OVEN PILOT NAT	1
43	GR100016R	ORIFICE FITTING NAT OVEN PILOT (0.016"/#16)	*
44	GR10075R	THERMOCOUPLE	2
45	GR10080R	CRUMB TRAY	1

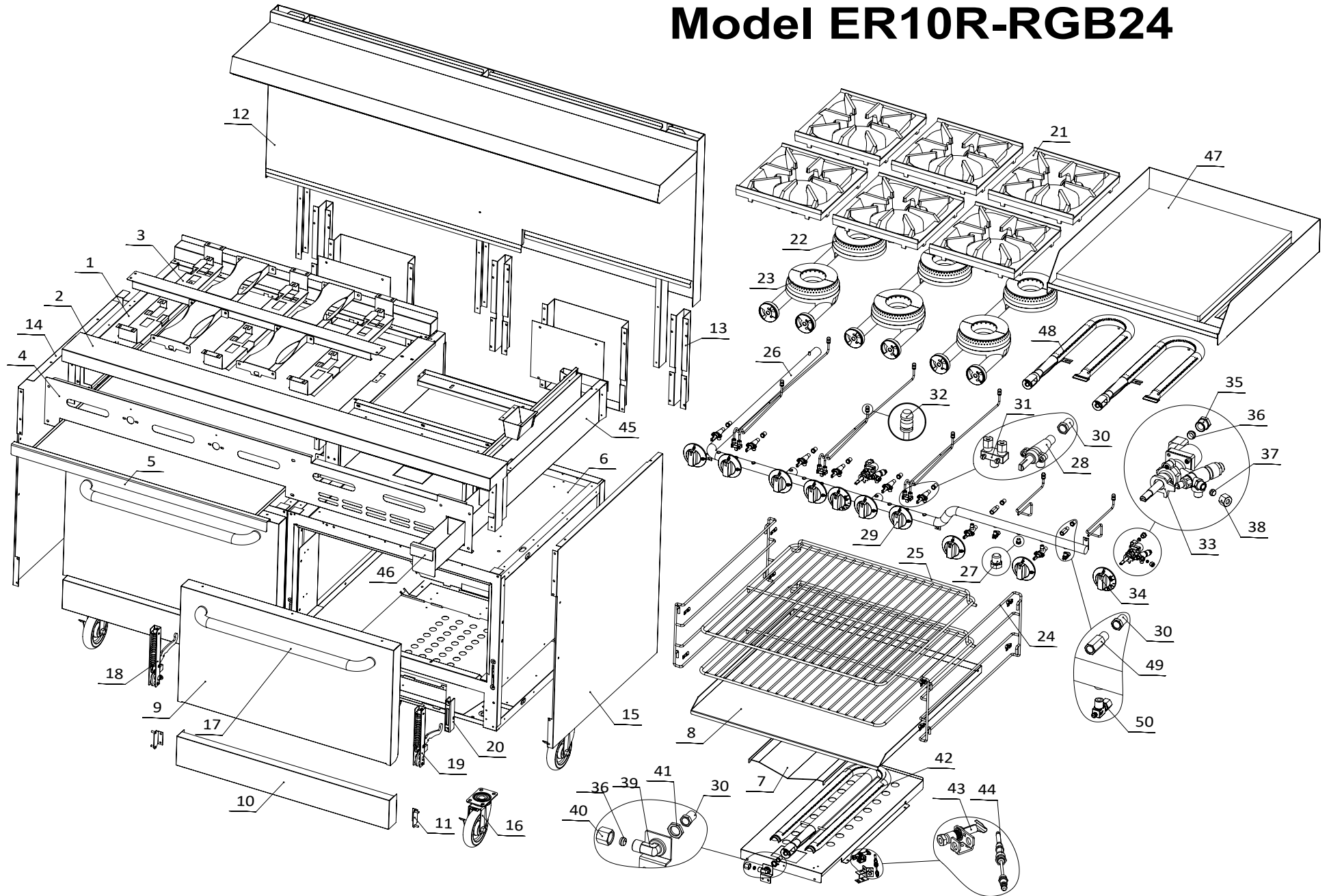
Model ER10R-G24



Part List for ER10R-G24

NO	Part #	Description	Qty	NO	Part #	Description	Qty
1	NON STOCK	INNER BURNER BOX SIDE ASSEMBLY	1	28	GR10087R	TOP BURNER VALVE	8
2	GR10168R-24	BULLNOSE ASSEMBLY 60" (W/24" GRIDDLE)	1	29	GR10069R	BURNER KNOB	8
3	GR10150R	BURNER SUPPORT	3	30	GR100036R	ORIFICE FITTING NAT #36 (BOTH TOP AND OVEN BURNER)	8
4	GR10169R-24	VALVE PANEL 60-24	1	30	GR100044R	ORIFICE FITTING NAT #44 (GRIDDLE)	2
5	GR10024R	CRUMB TRAY	1	30	GR100051R	ORIFICE FITTING LP #51 (TOP BURNER ONLY)	6
6	NON STOCK	OVEN CAVITY ASSEMBLY	1	30	GR100054R	ORIFICE FITTING LP #54 (GRIDDLE)	2
7	GR10165R	FLAME DIVERTER	2	30	GR100050R	ORIFICE FITTING LP #50 (OVEN)	2
8	GR10164R	OVEN BOTTOM	2	31	GR10018R	DUAL PILOT ADJUSTMENT VALVE	3
9	GR10026R	36" OVEN DOOR ASSEMBLY W/ENTRÉE LOGO	2	32	GC10003R	TOP BURNER PILOT	8
10	GR10091R	KICK PANEL 36"	2	33	GR18520R	OVEN THERMOSTAT/SAFETY VALVE W/COMPRESSION FITTINGS	2
11	GR10172R	KICK PANEL HINGE PLATE	4	34	GR10070R	OVEN THERMOSTAT KNOB	2
12	GR10079R-24	HIGH SHELF ASSEMBLY 60-24	1	35	**	INCLUDED IN #33	2
13	GR10066R	SLIDE RAIL SUPPORT FOR HIGH SHELF	3	36	**	INCLUDED IN #39	8
14	GR10158R	LEFT BODY SIDE	1	37	**	INCLUDED IN #33	6
15	GR10121R	RIGHT BODY SIDE	1	38	**	INCLUDED IN #33	2
16	GR10086R	CASTER W/BRAKE 5"	6	39	GR10009R	ORIFICE ELBOW FITTING WITH NUT & COMPRESSION FITTINGS	2
16	GRS10006R	CASTER SET 6 SWIVEL W/BRAKE, (WITH MOUNTING HARDWARE)	1*	40	**	INCLUDED IN #39	2
17	GR10081R-36	DOOR HANDLE	2	41	**	INCLUDED IN #39	2
18	GR10012R-1	HINGE, DOOR LEFT	2	42	GR11008R	U SHAPE OVEN BURNER	2
19	GR10013R-1	HINGE, DOOR RIGHT	2	43	GR10075N	OVEN PILOT NAT	2
20	GR10014R	HINGE BRACKET	4	43	GR10075R-P	OVEN PILOT LP	2
21	GR10021R	BURNER GRATE	6	44	GR10075R	THERMOCOUPLE	2
22	GR10031R	OPEN BURNER REAR	3	45	NON STOCK	GRIDDLE BURNER BOX SIDE	1
23	GR10032R	OPEN BURNER FRONT	3	46	GR10103R-24	GREASE CONTAINER	1
24	GR10005R	OVEN RACK GUIDE (RIGHT & LEFT)	4	47	NON STOCK	GRIDDLE PLATE ASSY.	1
25	GR10004R	OVEN RACK	4	48	GR10001R	GRIDDLE BURNER	2
26	NON STOCK	GAS MANIFOLD	1	49	GR20001R	ORIFICE EXTENSION	2
27	GR10015R	PRESSURE TAP	1	50	GC10005R	SINGLE PILOT ADJUSTMENT VALVE	2

Model ER10R-RGB24



Part List for ER10R-G24

NO	Part #	Description	Qty	NO	Part #	Description	Qty
1	NON STOCK	INNER BURNER BOX SIDE ASSEMBLY	1	28	GR10087R	TOP BURNER VALVE	8
2	GR10168R-24	BULLNOSE ASSEMBLY 60" (W/24" GRIDDLE)	1	29	GR10069R	BURNER KNOB	8
3	GR10150R	BURNER SUPPORT	3	30	GR100036R	ORIFICE FITTING NAT #36 (BOTH TOP AND OVEN BURNER)	8
4	GR10169R-24	VALVE PANEL 60-24	1	30	GR100044R	ORIFICE FITTING NAT #44 (GRIDDLE)	2
5	GR10024R	CRUMB TRAY	1	30	GR100051R	ORIFICE FITTING LP #51 (TOP BURNER ONLY)	6
6	NON STOCK	OVEN CAVITY ASSEMBLY	1	30	GR100054R	ORIFICE FITTING LP #54 (GRIDDLE)	2
7	GR10165R	FLAME DIVERTER	2	30	GR100050R	ORIFICE FITTING LP #50 (OVEN)	2
8	GR10164R	OVEN BOTTOM	2	31	GR10018R	DUAL PILOT ADJUSTMENT VALVE	3
9	GR10026R	36" OVEN DOOR ASSEMBLY W/ENTRÉE LOGO	2	32	GC10003R	TOP BURNER PILOT	8
10	GR10091R	KICK PANEL 36"	2	33	GR18520R	OVEN THERMOSTAT/SAFETY VALVE W/COMPRESSION FITTINGS	2
11	GR10172R	KICK PANEL HINGE PLATE	4	34	GR10070R	OVEN THERMOSTAT KNOB	2
12	GR10079R-24	HIGH SHELF ASSEMBLY 60-24	1	35	**	INCLUDED IN #33	2
13	GR10066R	SLIDE RAIL SUPPORT FOR HIGH SHELF	3	36	**	INCLUDED IN #39	8
14	GR10158R	LEFT BODY SIDE	1	37	**	INCLUDED IN #33	6
15	GR10121R	RIGHT BODY SIDE	1	38	**	INCLUDED IN #33	2
16	GR10086R	CASTER W/BRAKE 5"	6	39	GR10009R	ORIFICE ELBOW FITTING WITH NUT & COMPRESSION FITTINGS	2
16	GRS10006R	CASTER SET 6 SWIVEL W/BRAKE, (WITH MOUNTING HARDWARE)	1*	40	**	INCLUDED IN #39	2
17	GR10081R-36	DOOR HANDLE	2	41	**	INCLUDED IN #39	2
18	GR10012R-1	HINGE, DOOR LEFT	2	42	GR11008R	U SHAPE OVEN BURNER	2
19	GR10013R-1	HINGE, DOOR RIGHT	2	43	GR10075N	OVEN PILOT NAT	2
20	GR10014R	HINGE BRACKET	4	43	GR10075R-P	OVEN PILOT LP	2
21	GR10021R	BURNER GRATE	6	44	GR10075R	THERMOCOUPLE	2
22	GR10031R	OPEN BURNER REAR	3	45	NON STOCK	GRIDDLE BURNER BOX SIDE	1
23	GR10032R	OPEN BURNER FRONT	3	46	GR10103R-24	GREASE CONTAINER	1
24	GR10005R	OVEN RACK GUIDE (RIGHT & LEFT)	4	47	NON STOCK	GRIDDLE PLATE ASSY.	1
25	GR10004R	OVEN RACK	4	48	GR10001R	GRIDDLE BURNER	2
26	NON STOCK	GAS MANIFOLD	1	49	GR20001R	ORIFICE EXTENSION	2
27	GR10015R	PRESSURE TAP	1	50	GC10005R	SINGLE PILOT ADJUSTMENT VALVE	2



“R” Series Ranges Parts List



Model Shown: ER6RC-C

Entrée L.L.C.
Customer Service: (704) 900-2068
Email Technical Support: techsupport@entree.biz
Website: www.entree.biz

