

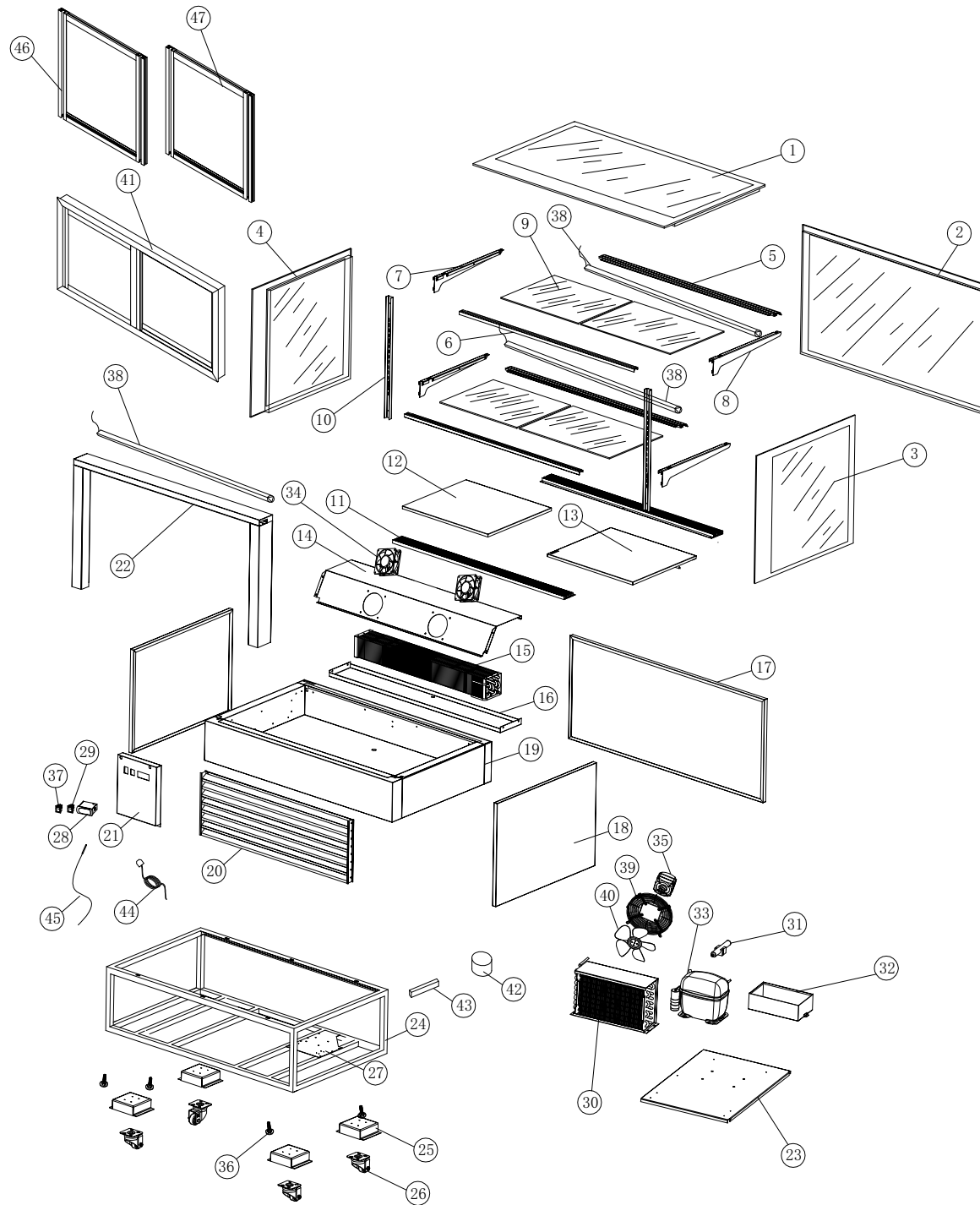


PART LIST FOR
CAKE DISPLAY MODELS
ECD35-2X, ECD35-3X, ECD47-2X
ECD47-3X, ECD71-2X AND ECD71-3X



For Parts Call 704-900-2068, Option #2

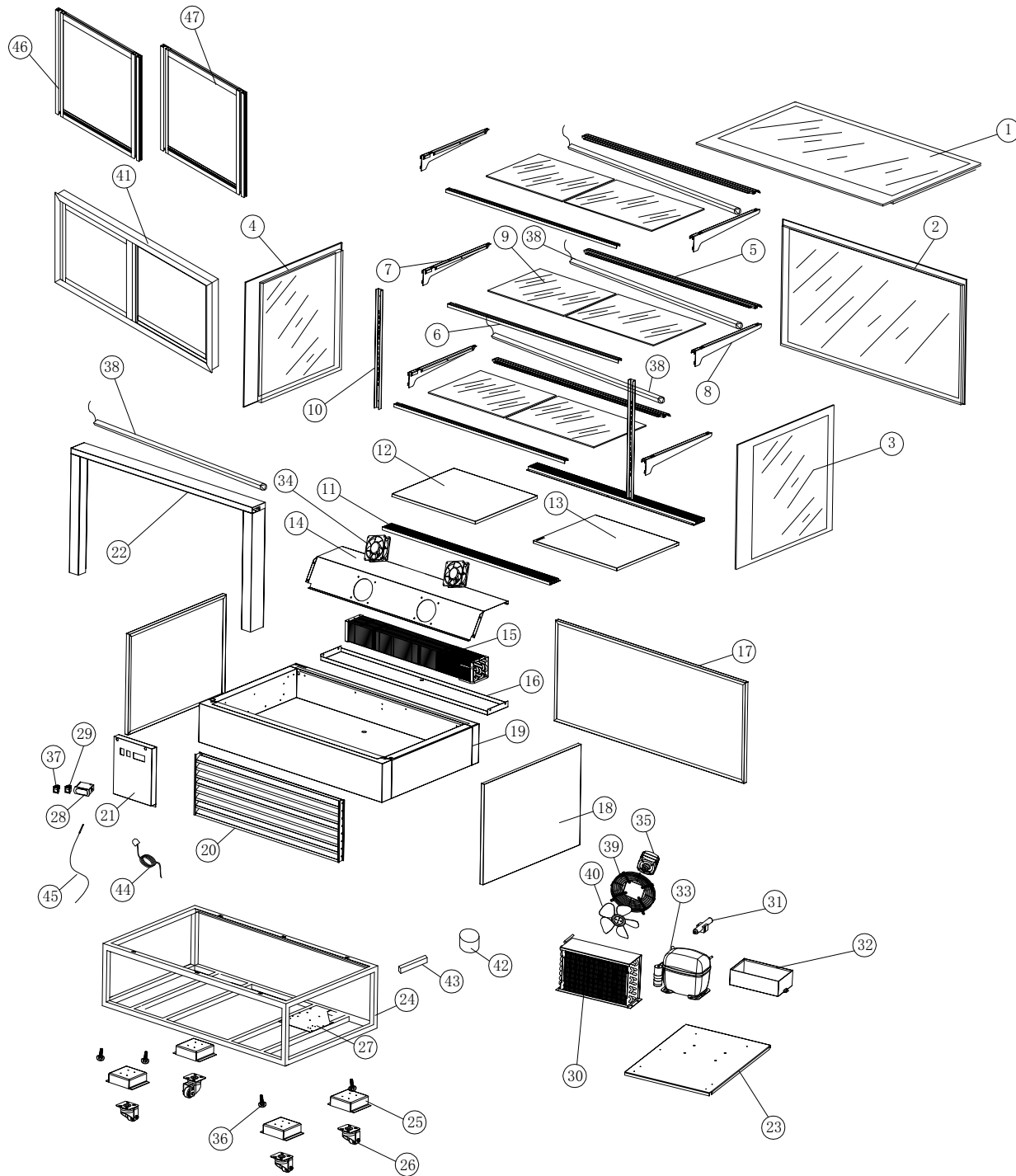
Revision 02-17-2026



MODEL ECD35-2X

MODEL ECD35-2X

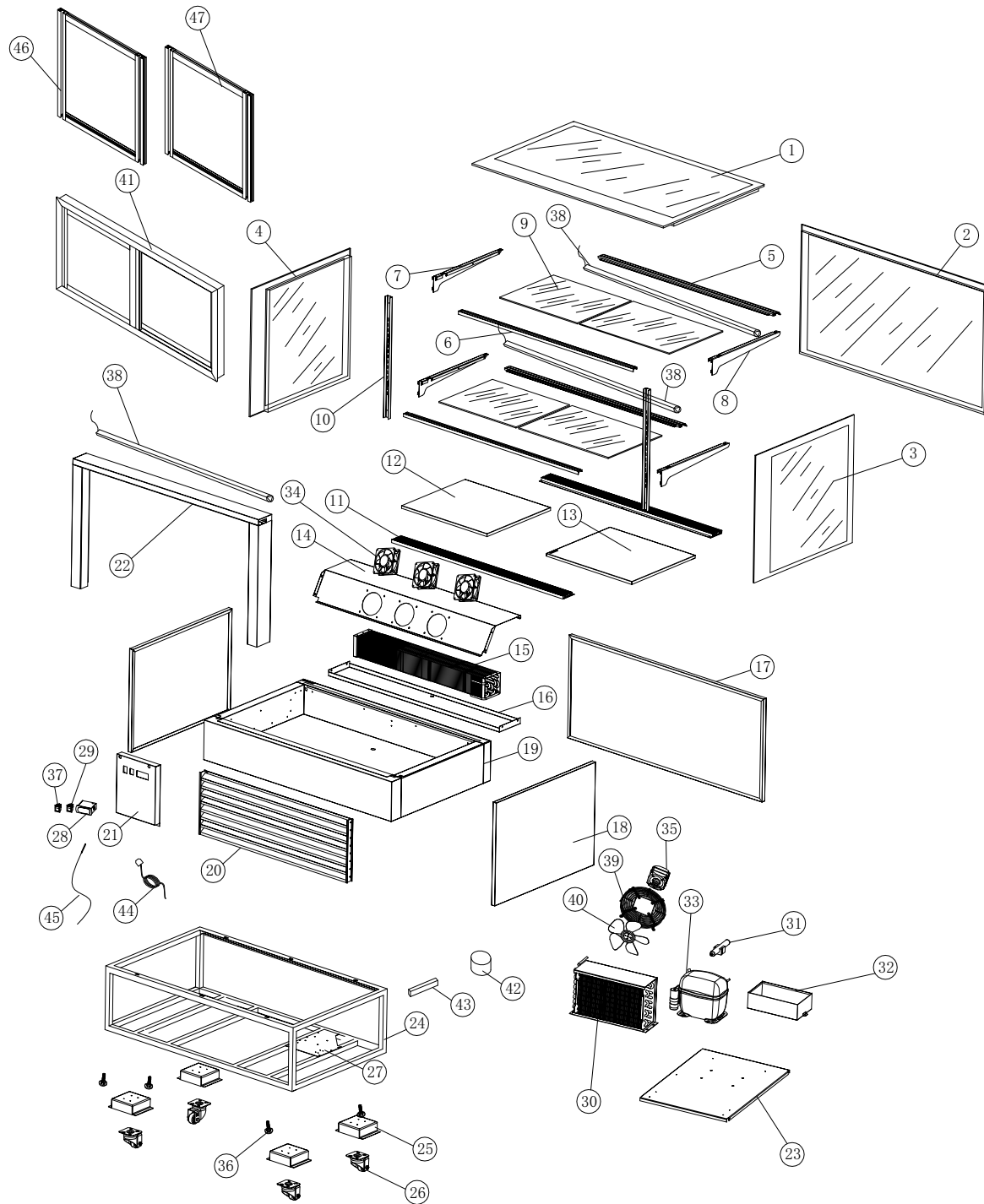
NO.	PART #	DESCRIPTION	QTY
1	XCD662979	GLASS TOP (34.6" X 28.5 X 1.25") (NON STOCKING PART)	1
2	NON STOCKING	GLASS FRONT	1
3	NON STOCKING	GLASS LEFT SIDE	1
4	NON STOCKING	GLASS RIGHT SIDE	1
5	XCD001891	SHELF EDGE FRONT	2
6	XCD001892	SHELF EDGE REAR	2
7	XCD001893	SHELF SUPPORT - LEFT	2
8	XCD001894	SHELF SUPPORT - RIGHT	2
9	XCD663013	GLASS SHELF (14.5" X 15") (NON STOCKING PART)	4
10	XCD001895	PILASTER	2
11	XEFC020021	EVAPORATOR FAN COVER	2
12	NON STOCKING	INTERIOR FLOOR	1
13	NON STOCKING	INTERIOR FLOOR	1
14	NON STOCKING	EVAPORATOR FAN INSTALLATION BOARD	1
15	XEVP040570	EVAPORATOR COIL	1
16	XVDP01899	EVAPORATOR DRAIN PAN (32" X 7.4")	1
17	XCD001900	FRONT PANEL (34" X 23")	1
18	XCD001901	SIDE PANEL (30" X 23")	2
19	N/A	CABINET	1
20	XCD001902	BACK GRILLE (24.25" X 12.3")	1
21	XCD001903	CONTROL PANEL	1
22	NON STOCKING	DOOR FRAME COMPONENT	1
23	N/A	COMPRESSOR MOUNTING PLATE	1
24	N/A	BOTTOM FRAME	1
25	XCMP01905	CASTER MOUNTING PLATE	4
26	XSC30001	CASTER	4
27	N/A	ELECTRIC DEVICE MOUNTING PLATE	1
28	XRI0060	THERMOSTAT (XR03CX-4N0F1/115V)	1
29	X17749180002	LED SWITCH	1
30	XCC080351	CONDENSER COIL	1
31	XX-H00341	FILTER DRYER	1
31	X250010	CAP TUBE .039" I.D. X 98.5" L	
32	X16316130008	OUTER DRAIN PAN (9.6" X 6.7" X 3")	1
33	XX-HC0003	COMPRESSOR (EM2X3125U/110VAC/R290)	1
33	XX-STARTKITC2	START KIT FOR EM2X3125U	
34	XRD00100	EVAPORATOR FAN MOTOR (BOXER FAN)	2
35	X22752500021	FAN MOTOR	1
36	XLF4030001	LEVELING FEET	4
37	XRI0056	POWER SWITCH	1
38	XLED410040	LED LIGHT W/SOCKET (23.5")	3
39	XCFC010002	CONDENSER FAN COVER	1
40	XEFMB023	FAN MOTOR BLADE	1
41	NON STOCKING	DOOR FRAME	1
42	X22753530011	TRANSFORMER (110VAC>24VAC/150W)	1
43	X22753530010	L.E.D. POWER SUPPLY	1
44	XX-2194684	POWER CORD (16AWG/8'/NEMA 5-15P)	1
45	XRI0039	EVAPORATOR TEMPERATURE SENSOR (NTC TYPE, 118")	1
46	XCD080005	GLASS DOOR - L & R (15.16" X 22.6")	1
47	XCD080005	GLASS DOOR - L & R (15.16" X 22.6")	1



MODEL ECD35-3X

MODEL ECD35-3X

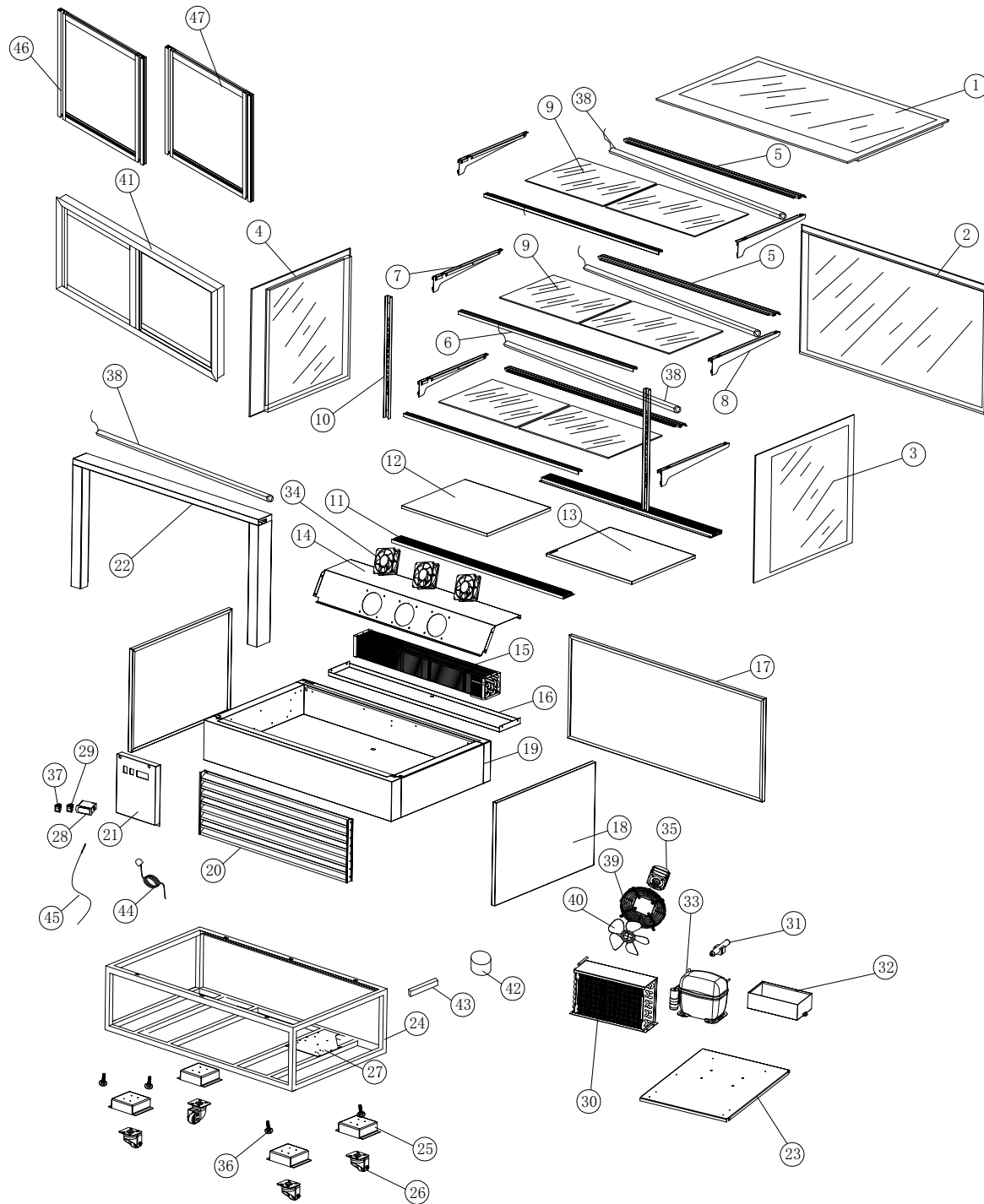
NO.	PART #	DESCRIPTION	QTY
1	XCD662979	GLASS TOP (34.6" X 28.5 X 1.25") (NON STOCKING PART)	1
2	NON STOCKING	GLASS FRONT	1
3	NON STOCKING	GLASS LEFT SIDE	1
4	NON STOCKING	GLASS RIGHT SIDE	1
5	XCD001891	SHELF EDGE FRONT	2
6	XCD001892	SHELF EDGE REAR	2
7	XCD001893	SHELF SUPPORT - LEFT	2
8	XCD001894	SHELF SUPPORT - RIGHT	2
9	XCD663013	GLASS SHELF (14.5" X 15") (NON STOCKING PART)	4
10	XCD001895	PILASTER	2
11	XEFC020021	EVAPORATOR FAN COVER	2
12	NON STOCKING	INTERIOR FLOOR	1
13	NON STOCKING	INTERIOR FLOOR	1
14	NON STOCKING	EVAPORATOR FAN INSTALLATION BOARD	1
15	XEVP040570	EVAPORATOR COIL	1
16	XVDP01899	EVAPORATOR DRAIN PAN (32" X 7.4")	1
17	XCD001900	FRONT PANEL (34" X 23")	1
18	XCD001901	SIDE PANEL (30" X 23")	2
19	N/A	CABINET	1
20	XCD001902	BACK GRILLE (24.25" X 12.3")	1
21	XCD001903	CONTROL PANEL	1
22	NON STOCKING	DOOR FRAME COMPONENT	1
23	N/A	COMPRESSOR MOUNTING PLATE	1
24	N/A	BOTTOM FRAME	1
25	XCMP01905	CASTER MOUNTING PLATE	4
26	XSC30001	CASTER	4
27	N/A	ELECTRIC DEVICE MOUNTING PLATE	1
28	XRI0060	THERMOSTAT (XR03CX-4N0F1/115V)	1
29	X17749180002	LED SWITCH	1
30	XCC080351	CONDENSER COIL	1
31	XX-H00341	FILTER DRYER	1
31	X250010	CAP TUBE .039" I.D. X 98.5" L	1
32	X16316130008	OUTER DRAIN PAN (9.6" X 6.7" X 3")	1
33	XX-HC0003	COMPRESSOR (EM2X3125U/110VAC/R290)	1
33	XX-STARTKITC2	START KIT FOR EM2X3125U	1
34	XRD00100	EVAPORATOR FAN MOTOR (BOXER FAN)	2
35	X22752500021	FAN MOTOR	1
36	XLF4030001	LEVELING FEET	4
37	XRI0056	POWER SWITCH	1
38	XLED410040	LED LIGHT W/SOCKET (23.5")	3
39	XCFC010002	CONDENSER FAN COVER	1
40	XEFMB023	FAN MOTOR BLADE	1
41	NON STOCKING	DOOR FRAME	1
42	X22753530011	TRANSFORMER (110VAC>24VAC/150W)	1
43	X22753530010	L.E.D. POWER SUPPLY	1
44	XX-2194684	POWER CORD (16AWG/8'/NEMA 5-15P)	1
45	XRI0039	EVAPORATOR TEMPERATURE SENSOR (NTC TYPE, 118")	1
46	XCD080005	GLASS DOOR - L & R (15.16" X 22.6")	1
47	XCD080005	GLASS DOOR - L & R (15.16" X 22.6")	1



MODEL ECD47-2X

MODEL ECD47-2X

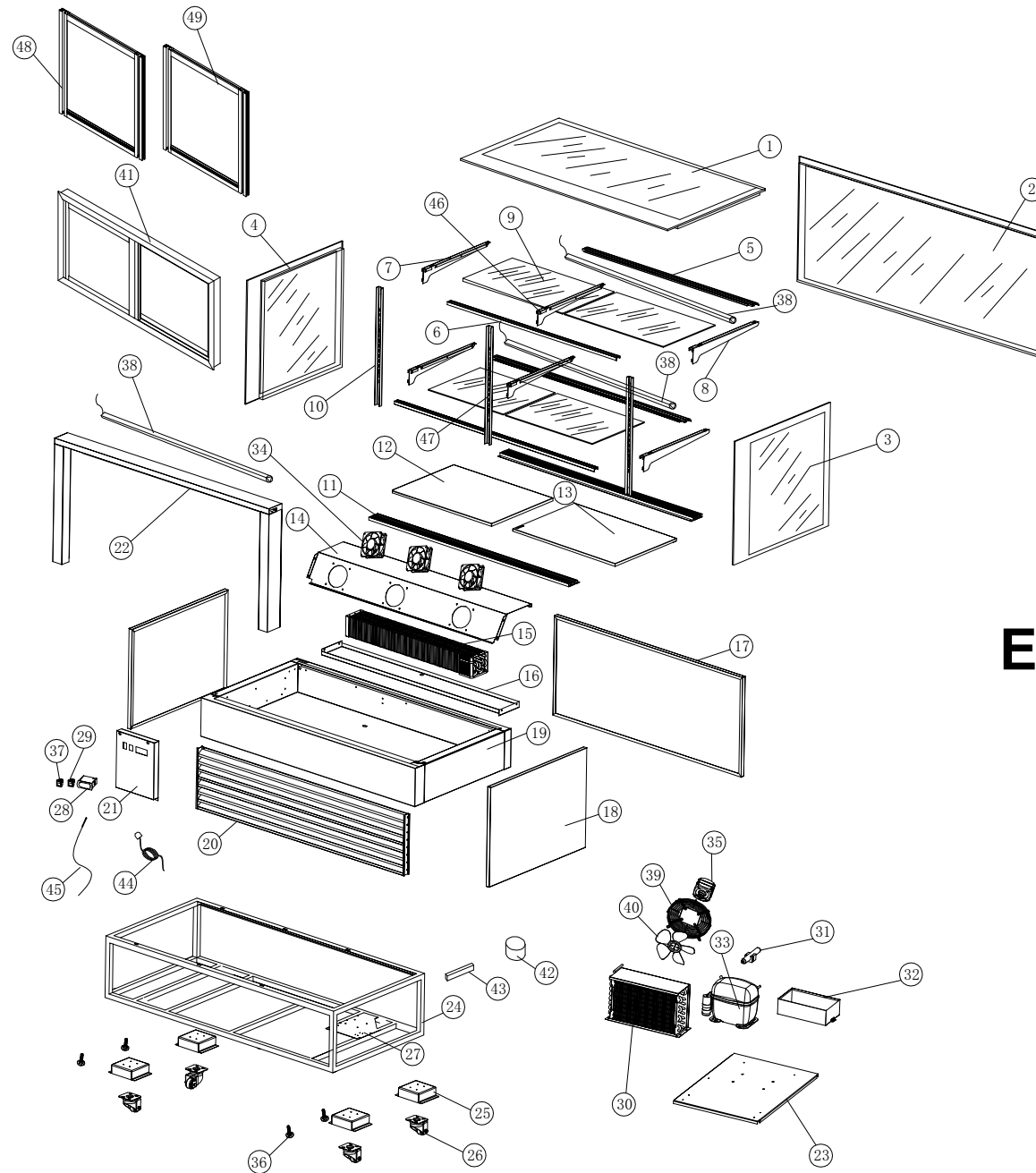
NO.	PART #	DESCRIPTION	QTY
1	XCD662945	GLASS TOP (46.5" X 28.5" X 1.25") (NON STOCKING PART)	1
2	NON STOCKING	GLASS FRONT	1
3	NON STOCKING	GLASS LEFT SIDE	1
4	NON STOCKING	GLASS RIGHT SIDE	1
5	XCD001908	SHELF EDGE FRONT	2
6	XCD001909	SHELF EDGE REAR	2
7	XCD001893	SHELF SUPPORT - LEFT	2
8	XCD001894	SHELF SUPPORT - RIGHT	2
9	XCD663014	GLASS SHELF (20.5" X 15") (NON STOCKING PART)	4
10	XCD001895	PILASTER	2
11	XEFC020021	EVAPORATOR FAN COVER	2
12	NON STOCKING	INTERIOR FLOOR	1
13	NON STOCKING	INTERIOR FLOOR	1
14	NON STOCKING	EVAPORATOR FAN INSTALLATION BOARD	1
15	XEVP040570	EVAPORATOR COIL	1
16	XVDP01913	EVAPORATOR DRAIN PAN (43.75" X 7.4")	1
17	XCD001914	FRONT PANEL (50" X 23")	1
18	XCD001901	SIDE PANEL (30" X 23")	2
19	N/A	CABINET	1
20	XCD001915	BACK GRILLE (36" X 12.3")	1
21	XCD001903	CONTROL PANEL	1
22	NON STOCKING	DOOR FRAME COMPONENT	1
23	N/A	COMPRESSOR MOUNTING PLATE	1
24	N/A	BOTTOM FRAME	1
25	XCMP01905	CASTER MOUNTING PLATE	4
26	XSC30001	CASTER	4
27	N/A	ELECTRIC DEVICE MOUNTING PLATE	1
28	XRI0060	THERMOSTAT (XR03CX-4N0F1/115V)	1
29	X17749180002	LED SWITCH	1
30	XCC080351	CONDENSER COIL	1
31	XX-H00341	FILTER DRYER	1
31	X350012	CAP TUBE .047" I.D. X 138" L	1
32	X16316130008	OUTER DRAIN PAN (9.6" X 6.7" X 3")	1
33	XX-HC0003	COMPRESSOR (EM2X3125U/110VAC/R290)	1
33	XX-STARTKITC2	START KIT FOR EM2X3125U	1
34	XRD00100	EVAPORATOR FAN MOTOR (BOXER FAN)	3
35	X22752500021	FAN MOTOR	1
36	XLF4030001	LEVELING FEET	4
37	XRI0056	POWER SWITCH	1
38	XLED410037	LED LIGHT W/SOCKET (39.4")	3
39	XCFC010002	CONDENSER FAN COVER	1
40	XEFMB023	FAN MOTOR BLADE	1
41	NON STOCKING	DOOR FRAME	1
42	X22753530011	TRANSFORMER (110VAC>24VAC/150W)	1
43	X22753530010	L.E.D. POWER SUPPLY	1
44	XX-2194684	POWER CORD (16AWG/8'/NEMA 5-15P)	1
45	XRI0039	EVAPORATOR TEMPERATURE SENSOR (NTC TYPE, 118")	1
46	XCD080007	GLASS DOOR - L & R (21.1" X 22.6")	1
47	XCD080007	GLASS DOOR - L & R (21.1" X 22.6")	1



MODEL ECD47-3X

MODEL ECD47-3X

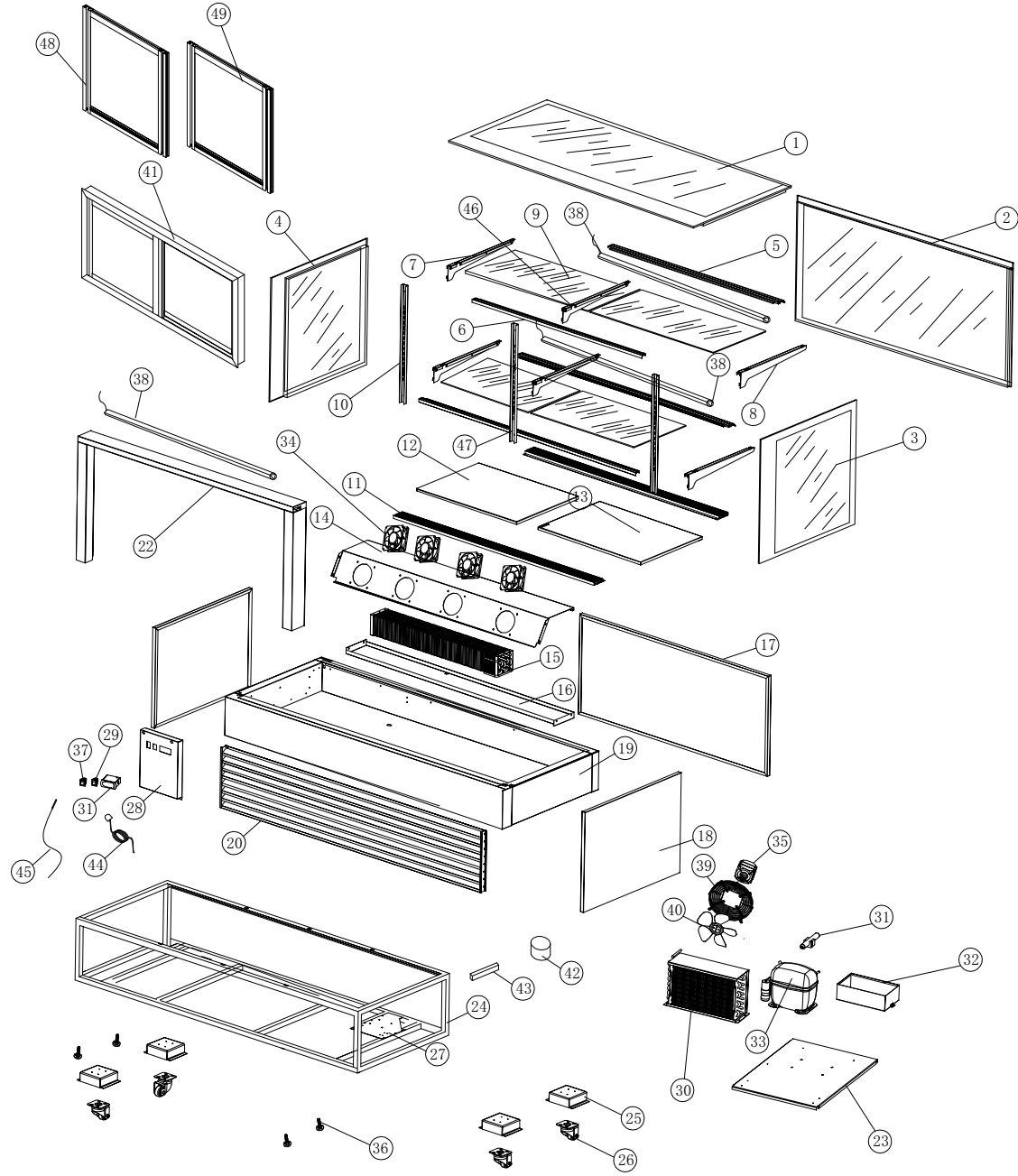
NO.	PART #	DESCRIPTION	QTY
1	XCD662945	GLASS TOP (46.5" X 28.5" X 1.25") (NON STOCKING PART)	1
2	NON STOCKING	GLASS FRONT	1
3	NON STOCKING	GLASS LEFT SIDE	1
4	NON STOCKING	GLASS RIGHT SIDE	1
5	XCD001908	SHELF EDGE FRONT	3
6	XCD001909	SHELF EDGE REAR	3
7	XCD001893	SHELF SUPPORT - LEFT	3
8	XCD001894	SHELF SUPPORT - RIGHT	3
9	XCD663014	GLASS SHELF (20.5" X 15") (NON STOCKING PART)	6
10	XCD001907	PILASTER	2
11	XEFC020021	EVAPORATOR FAN COVER	2
12	NON STOCKING	INTERIOR FLOOR	1
13	NON STOCKING	INTERIOR FLOOR	1
14	NON STOCKING	EVAPORATOR FAN INSTALLATION BOARD	1
15	XEVP040570	EVAPORATOR COIL	1
16	XVDP01913	EVAPORATOR DRAIN PAN (43.75" X 7.4")	1
17	XCD001914	FRONT PANEL (50" X 23")	1
18	XCD001901	SIDE PANEL (30" X 23")	2
19	N/A	CABINET	1
20	XCD001915	BACK GRILLE (36" X 12.3")	1
21	XCD001903	CONTROL PANEL	1
22	NON STOCKING	DOOR FRAME COMPONENT	1
23	N/A	COMPRESSOR MOUNTING PLATE	1
24	N/A	BOTTOM FRAME	1
25	XCMP01905	CASTER MOUNTING PLATE	4
26	XSC30001	CASTER	4
27	N/A	ELECTRIC DEVICE MOUNTING PLATE	1
28	XRI0060	THERMOSTAT (XR03CX-4N0F1/115V)	1
29	X17749180002	LED SWITCH	1
30	XCC080351	CONDENSER COIL	1
31	XX-H00341	FILTER DRYER	1
31	X350012	CAP TUBE .047" I.D. X 138" L	1
32	X16316130008	OUTER DRAIN PAN (9.6" X 6.7" X 3")	1
33	XX-HC0014	COMPRESSOR (NEK2134U/115VAC/R290)	1
33	XX-HC0014K	START KIT FOR NEK2134U	1
34	XRD00100	EVAPORATOR FAN MOTOR (BOXER FAN)	3
35	X22752500021	FAN MOTOR	1
36	XLF4030001	LEVELING FEET	4
37	XRI0056	POWER SWITCH	1
38	XLED410037	LED LIGHT W/SOCKET (39.4")	4
39	XCFC010002	CONDENSER FAN COVER	1
40	XEFMB023	FAN MOTOR BLADE	1
41	NON STOCKING	DOOR FRAME	1
42	X22753530011	TRANSFORMER (110VAC>24VAC/150W)	1
43	X22753530010	L.E.D. POWER SUPPLY	1
44	XX-2194684	POWER CORD (16AWG/8'/NEMA 5-15P)	1
45	XRI0039	EVAPORATOR TEMPERATURE SENSOR (NTC TYPE, 118")	1
46	XCD080008	GLASS DOOR- L & R (21.1" X 30.4")	1
47	XCD080008	GLASS DOOR- L & R (21.1" X 30.4")	1



MODEL ECD59-2X

MODEL ECD59-2X

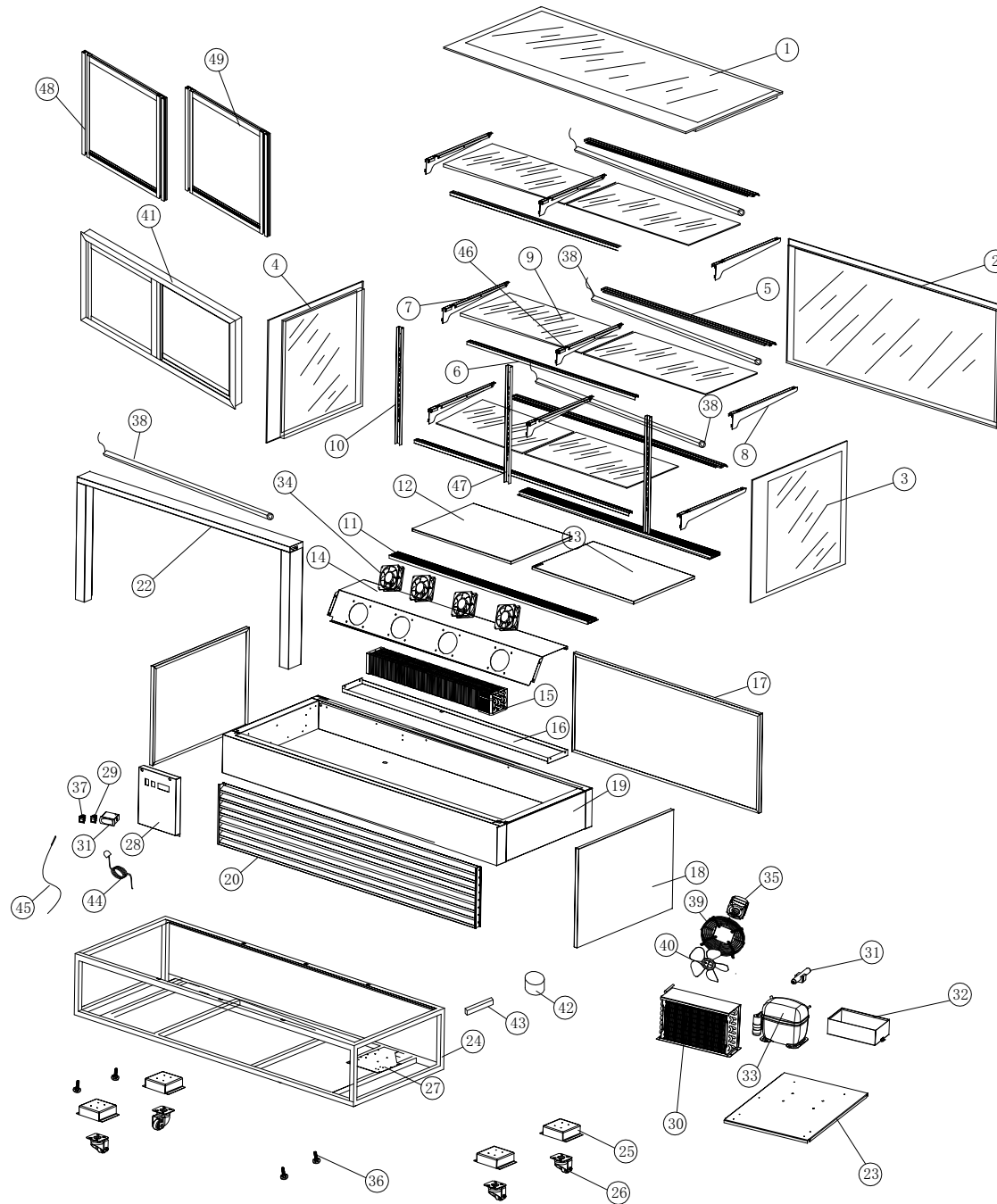
NO.	PART #	DESCRIPTION	QTY
1	XCD662980	GLASS TOP (58.25" X 28.5 X 1.25") (NON STOCKING PART)	1
2	NON STOCKING	GLASS FRONT	1
3	NON STOCKING	GLASS LEFT SIDE	1
4	NON STOCKING	GLASS RIGHT SIDE	1
5	XCD001918	SHELF EDGE FRONT	2
6	XCD001919	SHELF EDGE REAR	2
7	XCD001893	SHELF SUPPORT - LEFT	2
8	XCD001894	SHELF SUPPORT - RIGHT	2
9	XCD663015	GLASS SHELF (26.378" X 15") (NON STOCKING PART)	4
10	XCD001895	PILASTER	2
11	XEFC020021	EVAPORATOR FAN COVER	2
12	NON STOCKING	INTERIOR FLOOR	1
13	NON STOCKING	INTERIOR FLOOR	1
14	NON STOCKING	EVAPORATOR FAN INSTALLATION BOARD	1
15	XEVP041170	EVAPORATOR COIL	1
16	XVDP01923	EVAPORATOR DRAIN PAN (55.6" X 7.4")	1
17	XCD001924	FRONT PANEL (61.5" X 23")	1
18	XCD001901	SIDE PANEL (30" X 23")	2
19	N/A	CABINET	1
20	XCD001925	BACK GRILLE (48" X 12.3")	1
21	XCD001903	CONTROL PANEL	1
22	NON STOCKING	DOOR FRAME COMPONENT	1
23	N/A	COMPRESSOR MOUNTING PLATE	1
24	N/A	BOTTOM FRAME	1
25	XCMP01905	CASTER MOUNTING PLATE	4
26	XSC30001	CASTER	4
27	N/A	ELECTRIC DEVICE MOUNTING PLATE	1
28	XRI0060	THERMOSTAT (XR03CX-4N0F1/115V)	1
29	X17749180002	LED SWITCH	1
30	XCC080351	CONDENSER COIL	1
31	XX-H00341	FILTER DRYER	1
31	X350012	CAP TUBE .047" I.D. X 138" L	1
32	X16316130008	OUTER DRAIN PAN (9.6" X 6.7" X 3")	1
33	XX-HC0014	COMPRESSOR (NEK2134U/115VAC/R290)	1
33	XX-HC0014K	START KIT FOR NEK2134U	1
34	XRD00100	EVAPORATOR FAN MOTOR (BOXER FAN)	3
35	X22752500021	FAN MOTOR	1
36	XLF4030001	LEVELING FEET	4
37	XRI0056	POWER SWITCH	1
38	XLED410038	LED LIGHT W/SOCKET (47.25")	3
39	XCFC010002	CONDENSER FAN COVER	1
40	XEFMB023	FAN MOTOR BLADE	1
41	NON STOCKING	DOOR FRAME	1
42	X22753530011	TRANSFORMER (110VAC>24VAC/150W)	1
43	X22753530010	L.E.D. POWER SUPPLY	1
44	XX-2194684	POWER CORD (16AWG/8'/NEMA 5-15P)	1
45	XRI0039	EVAPORATOR TEMPERATURE SENSOR (NTC TYPE, 118")	1
46	XCD001928	SHELF SUPPORT - MIDDLE	2
47	XCD001929	PILASTER - MIDDLE	1
48	XCD080009	GLASS DOOR - L & R (27" X 22.6")	1
49	XCD080009	GLASS DOOR - L & R (27" X 22.6")	1



MODEL ECD71-2X

MODEL ECD71-2X

NO.	PART #	DESCRIPTION	QTY
1	XDC662946	GLASS TOP (70" X 28.5" X 1.25") (NON STOCKING PART)	1
2	NON STOCKING	GLASS FRONT	1
3	NON STOCKING	GLASS LEFT SIDE	1
4	NON STOCKING	GLASS RIGHT SIDE	1
5	XCD001931	SHELF EDGE FRONT	2
6	XCD001932	SHELF EDGE REAR	2
7	XCD001893	SHELF SUPPORT - LEFT	2
8	XCD001894	SHELF SUPPORT - RIGHT	2
9	XCD663016	GLASS SHELF (32.25" X 15") (NON STOCKING PART)	4
10	XCD001895	PILASTER	2
11	XEFC020021	EVAPORATOR FAN COVER	2
12	NON STOCKING	INTERIOR FLOOR	1
13	NON STOCKING	INTERIOR FLOOR	1
14	NON STOCKING	EVAPORATOR FAN INSTALLATION BOARD	1
15	XEVP041170	EVAPORATOR COIL	1
16	XVDP01936	EVAPORATOR DRAIN PAN (67.4" X 7.4")	1
17	XCD001937	FRONT PANEL (74.5" X 23")	1
18	XCD001901	SIDE PANEL (30" X 23")	2
19	N/A	CABINET	1
20	XCD001938	BACK GRILLE (60" X 12.3")	1
21	XCD001903	CONTROL PANEL	1
22	NON STOCKING	DOOR FRAME COMPONENT	1
23	N/A	COMPRESSOR MOUNTING PLATE	1
24	N/A	BOTTOM FRAME	1
25	XCMP01905	CASTER MOUNTING PLATE	4
26	XSC30001	CASTER	4
27	N/A	ELECTRIC DEVICE MOUNTING PLATE	1
28	XRI0060	THERMOSTAT (XR03CX-4N0F1/115V)	1
29	X17749180002	LED SWITCH	1
30	XCC080351	CONDENSER COIL	1
31	XX-H00341	FILTER DRYER	1
31	X350012	CAP TUBE .047" I.D. X 138" L	1
32	X16316130008	OUTER DRAIN PAN (9.6" X 6.7" X 3")	1
33	XX-HC0004	COMPRESSOR (NEU2155U/110VAC/R290)	1
33	XX-STARTKITC5	START KIT FOR NEU2155U	1
34	XR00100	EVAPORATOR FAN MOTOR (BOXER FAN)	4
35	X22752500021	FAN MOTOR	1
36	XLF4030001	LEVELING FEET	4
37	XRI0056	POWER SWITCH	1
38	XLED410054	LED LIGHT W/SOCKET (59")	3
39	XCFC010002	CONDENSER FAN COVER	1
40	XEFC020021	FAN MOTOR BLADE	1
41	NON STOCKING	DOOR FRAME	1
42	X22753530011	TRANSFORMER (110VAC>24VAC/150W)	1
43	X22753530010	L.E.D. POWER SUPPLY	1
44	XX-2194684	POWER CORD (16AWG/8'/NEMA 5-15P)	1
45	XRI0039	EVAPORATOR TEMPERATURE SENSOR (NTC TYPE, 118")	1
46	XCD001928	SHELF SUPPORT - MIDDLE	2
47	XCD001929	PILASTER - MIDDLE	1
48	XCD080011	GLASS DOOR - L & R (32.9" X 22.6")	1
49	XCD080011	GLASS DOOR - L & R (32.9" X 22.6")	1



**MODEL
ECD71-3X**

MODEL ECD71-3X

NO.	PART #	DESCRIPTION	QTY
1	XDC662946	GLASS TOP (70" X 28.5" X 1.25") (NON STOCKING PART)	1
2	NON STOCKING	GLASS FRONT	1
3	NON STOCKING	GLASS LEFT SIDE	1
4	NON STOCKING	GLASS RIGHT SIDE	1
5	XCD001931	SHELF EDGE FRONT	3
6	XCD001932	SHELF EDGE REAR	3
7	XCD001893	SHELF SUPPORT - LEFT	3
8	XCD001894	SHELF SUPPORT - RIGHT	3
9	XCD663016	GLASS SHELF (32.25" X 15") (NON STOCKING PART)	6
10	XCD001907	PILASTER	2
11	XEFC020021	EVAPORATOR FAN COVER	2
12	NON STOCKING	INTERIOR FLOOR	1
13	NON STOCKING	INTERIOR FLOOR	1
14	NON STOCKING	EVAPORATOR FAN INSTALLATION BOARD	1
15	XEVP041170	EVAPORATOR COIL	1
16	XVDP01936	EVAPORATOR DRAIN PAN (67.4" X 7.4")	1
17	XCD001937	FRONT PANEL (74.5" X 23")	1
18	XCD001901	SIDE PANEL (30" X 23")	2
19	N/A	CABINET	1
20	XCD001938	BACK GRILLE (60" X 12.3")	1
21	XCD001903	CONTROL PANEL	1
22	NON STOCKING	DOOR FRAME COMPONENT	1
23	N/A	COMPRESSOR MOUNTING PLATE	1
24	N/A	BOTTOM FRAME	1
25	XCMP01905	CASTER MOUNTING PLATE	4
26	XSC30001	CASTER	4
27	N/A	ELECTRIC DEVICE MOUNTING PLATE	1
28	XRI0060	THERMOSTAT (XR03CX-4N0F1/115V)	1
29	X17749180002	LED SWITCH	1
30	XCC080351	CONDENSER COIL	1
31	XX-H00341	FILTER DRYER	1
31	X350012	CAP TUBE .047" I.D. X 138" L	1
32	X16316130008	OUTER DRAIN PAN (9.6" X 6.7" X 3")	1
33	XX-HC0004	COMPRESSOR (NEU2155U/110VAC/R290)	1
33	XX-STARTKITC5	START KIT FOR NEU2155U	1
34	XR001100	EVAPORATOR FAN MOTOR (BOXER FAN)	4
35	X22752500021	FAN MOTOR	1
36	XLF4030001	LEVELING FEET	4
37	XRI0056	POWER SWITCH	1
38	XLED410054	LED LIGHT W/SOCKET (59")	4
39	XCFC010002	CONDENSER FAN COVER	1
40	XEFMB023	FAN MOTOR BLADE	1
41	NON STOCKING	DOOR FRAME	1
42	X22753530011	TRANSFORMER (110VAC>24VAC/150W)	1
43	X22753530010	L.E.D. POWER SUPPLY	1
44	XX-2194684	POWER CORD (16AWG/8'/NEMA 5-15P)	1
45	XRI0039	EVAPORATOR TEMPERATURE SENSOR (NTC TYPE, 118")	1
46	XCD001928	SHELF SUPPORT - MIDDLE	3
47	XCD001930	PILASTER - MIDDLE	1
48	XCD080012	GLASS DOOR - L & R (32.9" X 30.4")	1
49	XCD080012	GLASS DOOR - L & R (32.9" X 30.4")	1



PART LIST FOR
CAKE DISPLAY MODELS
ECD35-2X, ECD35-3X, ECD47-2X
ECD47-3X, ECD71-2X AND ECD71-3X



For Parts Call 704-900-2068, Option #2