



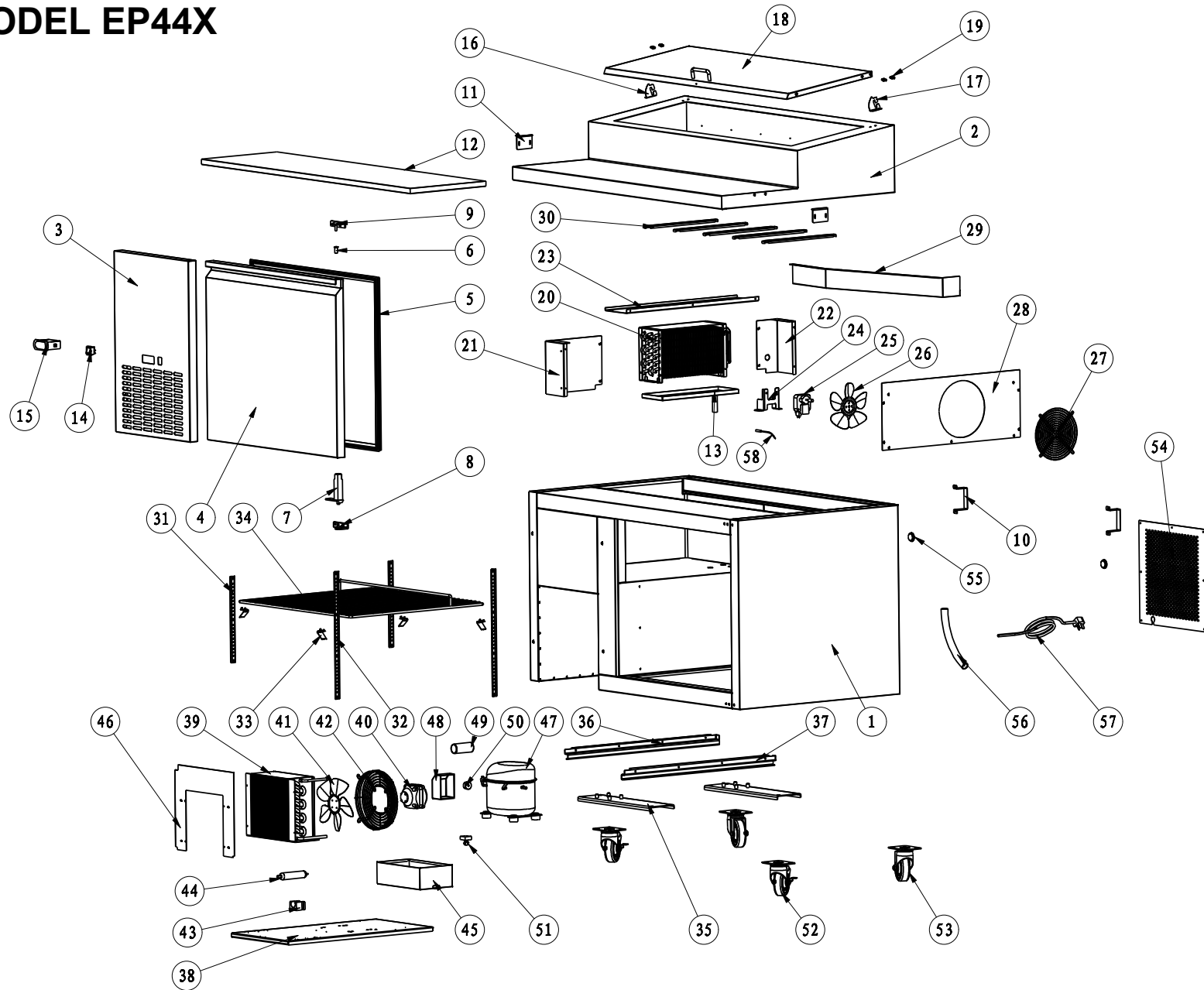
PART LISTS FOR PIZZA PREP MODELS: EP44X, EP49X, EP67X, EP70X AND EP92X



www.entree.biz
704-900-2068

REVISION DATE: FEBRUARY 5, 2026

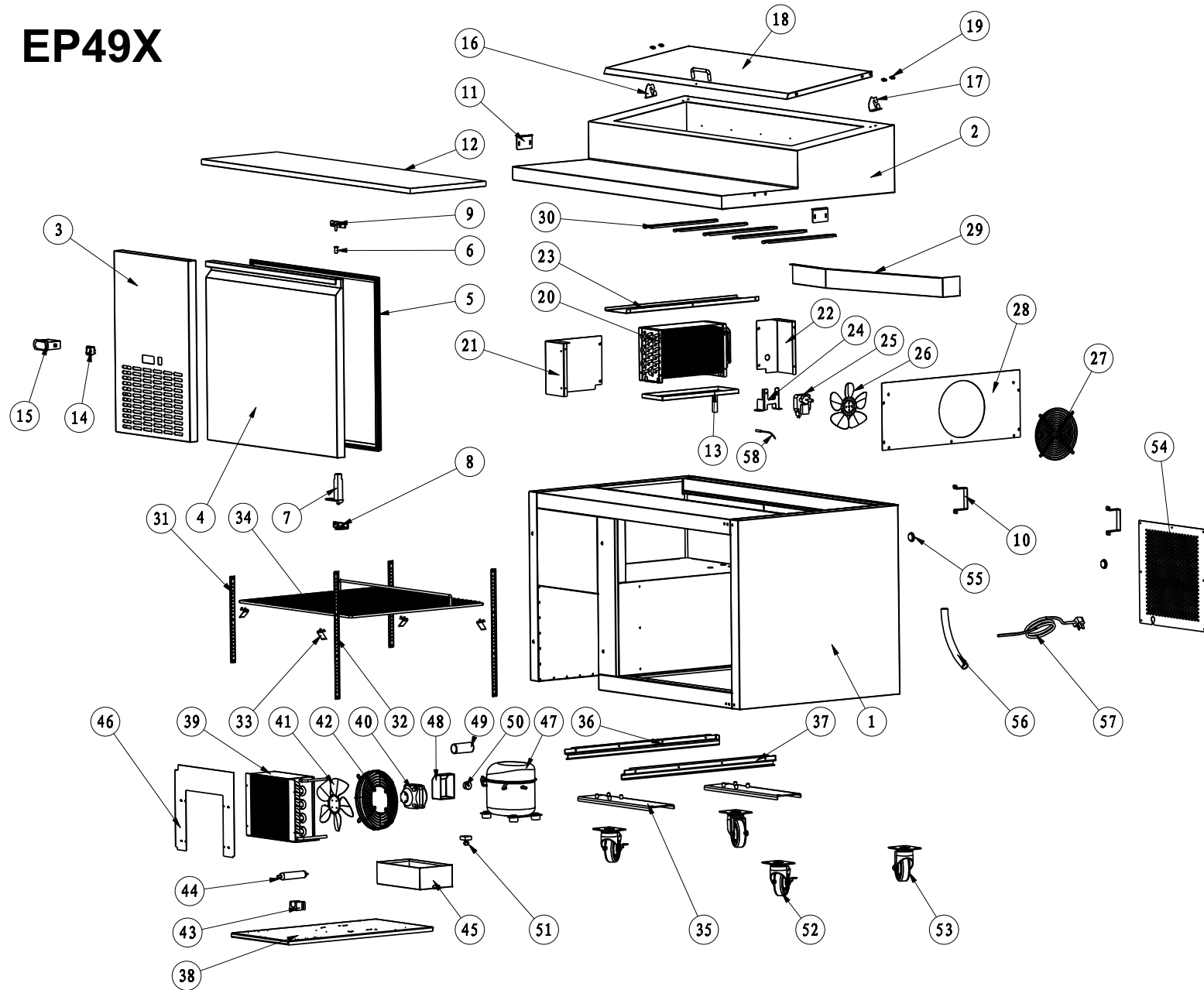
MODEL EP44X



PARTS LIST FOR MODEL EP44X

Ref #	Part Number	Description	Qty	Ref #	Part Number	Description	Qty
1	N/A	CABINET	1	31	X2199001321	K STRIP-3 HOLES	2
2	N/A	TOP RAIL	1	32	X2199001095	K STRIP-4 HOLES	2
3	X2199001627	CONTROL PANEL	1	33	X5302000003	K CLIP	4
4	X2199001824	DOOR	1	34	X12502012957	SHELF	1
5	X16401610638	GASKET (24.72" X 24.33") [628mm x 618mm]	1	35	X2199001642	CASTER SUPPORT	2
6	X16353010008	AXIS COVER	1	36	X2199001643	LEFT COMPRESSOR UNIT TRACK	1
7	X12517240002	DOOR CLOSURE	1	37	X2199001644	RIGHT COMPRESSOR UNIT TRACK	1
8	X12517140005	BOTTOM RIGHT HINGE	1	38	X2199001645	COMPRESSOR UNIT INSTALLATION BOARD	1
9	X12517140004	UPPER RIGHT HINGE	1	39	X17306100231	CONDENSER	1
10	X2199001472	STAND OFF BRACKET	2	40	X22752500021	CONDENSER FAN MOTOR	1
11	X2199001462	FIXER FOR CUTTING BOARD	2	41	X16381738052	BLADE OF CONDENSER FAN MOTOR	1
12	XX-CBP044	CUTTING BOARD	1	42	X22726010001	CONDENSER FAN COVER	1
13	X2199001630	INNER DRAIN PAN	1	43	X16357020026	FILTER FIXER	1
14	X17749211297	POWER SWITCH	1	44	X17111250195	FILTER	1
15	X17709030003	THERMOSTAT	1	44	X270010	CAP TUBE .039" I.D. X 106.3" L (NOT SHOWN)	1
16	X2199001631	LEFT LID HINGE	1	45	X16316130008	OUTER DRAIN PAN	1
17	X2199001632	RIGHT LID HINGE	1	46	X2199001685	AIR SHIELD BOARD	1
18	X2199001825	LID	1	47	X17202163113	COMPRESSOR (EM2X3113U, 120VAC, 60Hz,R290)	1
19	X12515010010	LID HINGE AXIS	4	47.1	X17202163113K	START KIT FOR EM2X3113U	1*
20	X17405070282	EVAPORATOR	1	48	X51330050101BU	SPLICE BOX	1*
21	X2199001678	LEFT SUPPORT OF EVAPORATOR COVER	1	49	X13556094	START CAPACITOR	1*
22	X2199001679	RIGHT SUPPORT OF EVAPORATOR COVER	1	50	X13634257	OVERLOAD PROTECTOR	1*
23	X2199001680	UPPER SUPPORT OF EVAPORATOR COVER	1	51	X13650051	STARTER	1*
24	X2199001681	EVAPORATOR FAN MOTOR HOLDER	1	52	X12533070420	4" CASTER WITH BRAKE	2
25	X22752520015	EVAPORATOR FAN MOTOR	1	53	X12533040420	4" CASTER	2
26	X16381738082	BLADE OF EVAPORATOR FAN MOTOR	1	54	X2199001647	BACK GRILL	1
27	X12504072415	EVAPORATOR FAN COVER	1	55	X16352020002	FOAMING HOLE COVER	2
28	X2199001682	EVAPORATOR COVER	1	56	X15809080016	DRAIN HOSE	1
29	X2199001683	AIR GUIDE SHEET	1	57	X17664640051	POWER CORD	1
30	X2199001684	PAN BRACKET-25	5	58	X17649490013	TEMPERATURE SENSOR OF CABINET INSIDE	1

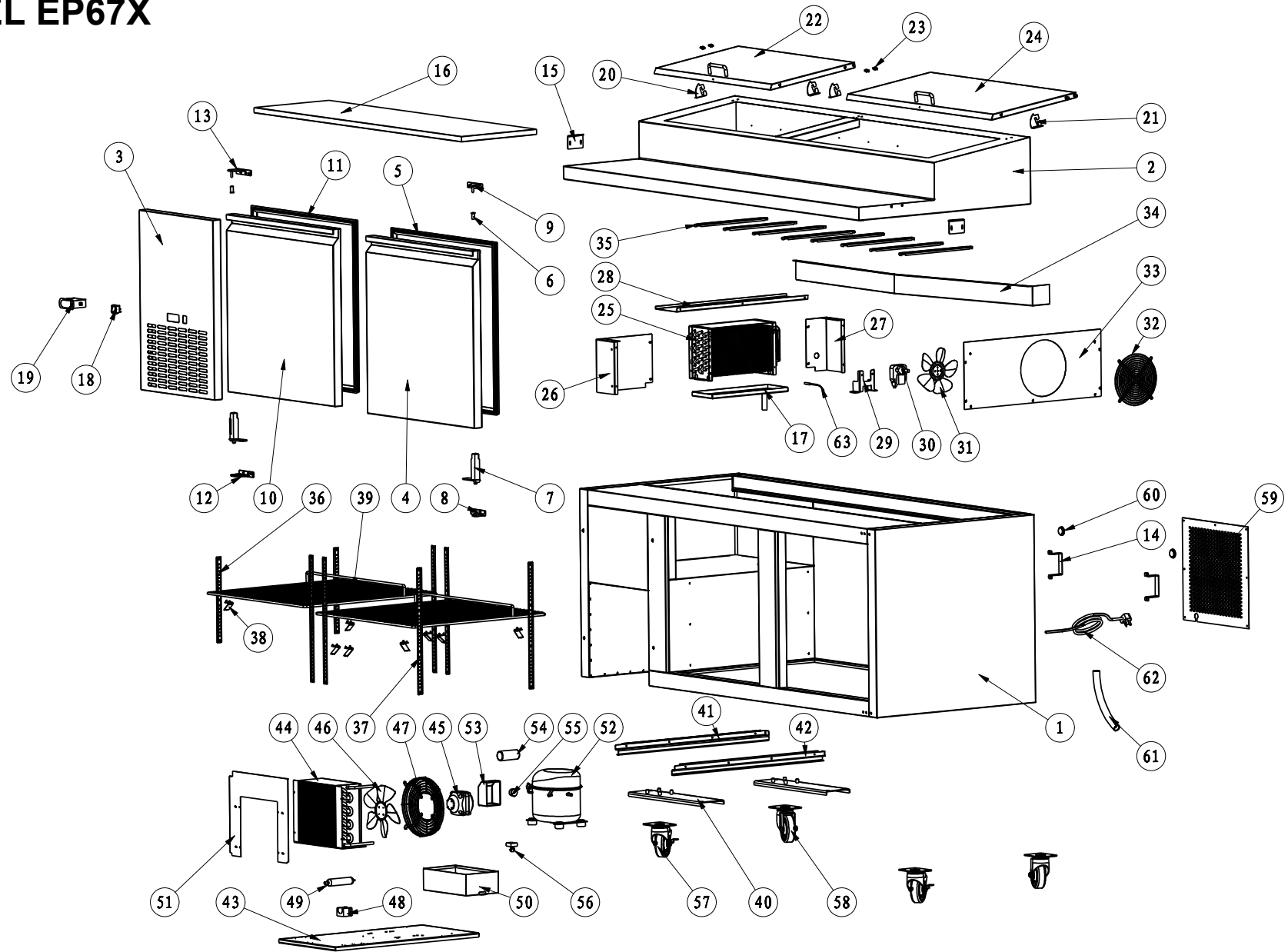
EP49X



PARTS LIST FOR MODEL EP49X

Ref #	Part Number	Description	Qty	Ref #	Part Number	Description	Qty
1	X2199001674	CABINET	1	31	X2199001321	K STRIP-3 HOLES	2
2	X2199001675	TOP RAIL	1	32	X2199001095	K STRIP-4 HOLES	2
3	X2199001627	CONTROL PANEL	1	33	X5302000003	K CLIP	4
4	X2199001676	DOOR	1	34	X12502012594	SHELF	1
5	X16401630754	GASKET (24.72" X 29.69") [628mm X 754mm]	1	35	X2199001642	CASTER SUPPORT	2
6	X16353010008	AXIS COVER	1	36	X2199001643	LEFT COMPRESSOR UNIT TRACK	1
7	X12517240002	DOOR CLOSURE	1	37	X2199001644	RIGHT COMPRESSOR UNIT TRACK	1
8	X12517140005	BOTTOM RIGHT HINGE	1	38	X2199001645	COMPRESSOR UNIT INSTALLATION BOARD	1
9	X12517140004	UPPER RIGHT HINGE	1	39	X17306100231	CONDENSER	1
10	X2199001472	STAND OFF BRACKET	2	40	X17701000626	CONDENSER FAN MOTOR	1
11	X2199001462	FIXER FOR CUTTING BOARD	2	41	X16381738052	BLADE OF CONDENSER FAN MOTOR	1
12	XX-CBP049	CUTTING BOARD	1	42	X22726010001	CONDENSER FAN COVER	1
13	X2199001630	INNER DRAIN PAN	1	43	X16369690257	FILTER BRACKET	1
14	X17749211297	POWER SWITCH	1	44	X17111250198	FILTER DRIER	1
15	X17709030003	THERMOSTAT	1		X270010	CAP TUBE .039" I.D. X 106.3" L (NOT SHOWN)	1
16	X2199001631	LEFT LID HINGE	1	45	X16316130008	OUTER DRAIN PAN	1
17	X2199001632	RIGHT LID HINGE	1	46	X2199001685	AIR SHIELD BOARD	1
18	X2199001677	LID	1	47	X17202100037	COMPRESSOR (DLE4CN, 120VAC,60Hz, R290)	1
19	X12515010010	LID HINGE AXIS	4	47	XSTARTKIT01	START KIT INCLUDES ITEM 48, 49, AND 50	1*
20	X17405070282	EVAPORATOR	1	48	--	COMPONENT COVER BOX	1
21	X2199001678	LEFT SUPPORT OF EVAPORATOR COVER	1	49	X117U5023	START CAPACITOR	1
22	X2199001679	RIGHT SUPPORT OF EVAPORATOR COVER	1	50	XHSSL615C4X	OVERLOAD PROTECTOR	1
23	X2199001680	UPPER SUPPORT OF EVAPORATOR COVER	1	51	X117U7022	START CAPACITOR	1
24	X2199001681	EVAPORATOR FAN MOTOR HOLDER	1	52	X12533070420	4" CASTER WITH BRAKE	2
25	X22752520015	EVAPORATOR FAN MOTOR	1	53	X12533040420	4" CASTER	2
26	X16381738082	BLADE OF EVAPORATOR FAN MOTOR	1	54	X2199001647	BACK GRILL	1
27	X12504072415	EVAPORATOR FAN COVER	1	55	X16352020002	FOAMING HOLE COVER	2
28	X2199001682	EVAPORATOR COVER	1	56	X15809080016	DRAIN HOSE	1
29	X2199001683	AIR GUIDE SHEET	1	57	X17664640051	POWER CORD	1
30	X2199001684	PAN BRACKET-25	5	58	X17649490013	TEMPERATURE SENSOR OF CABINET INSIDE	1

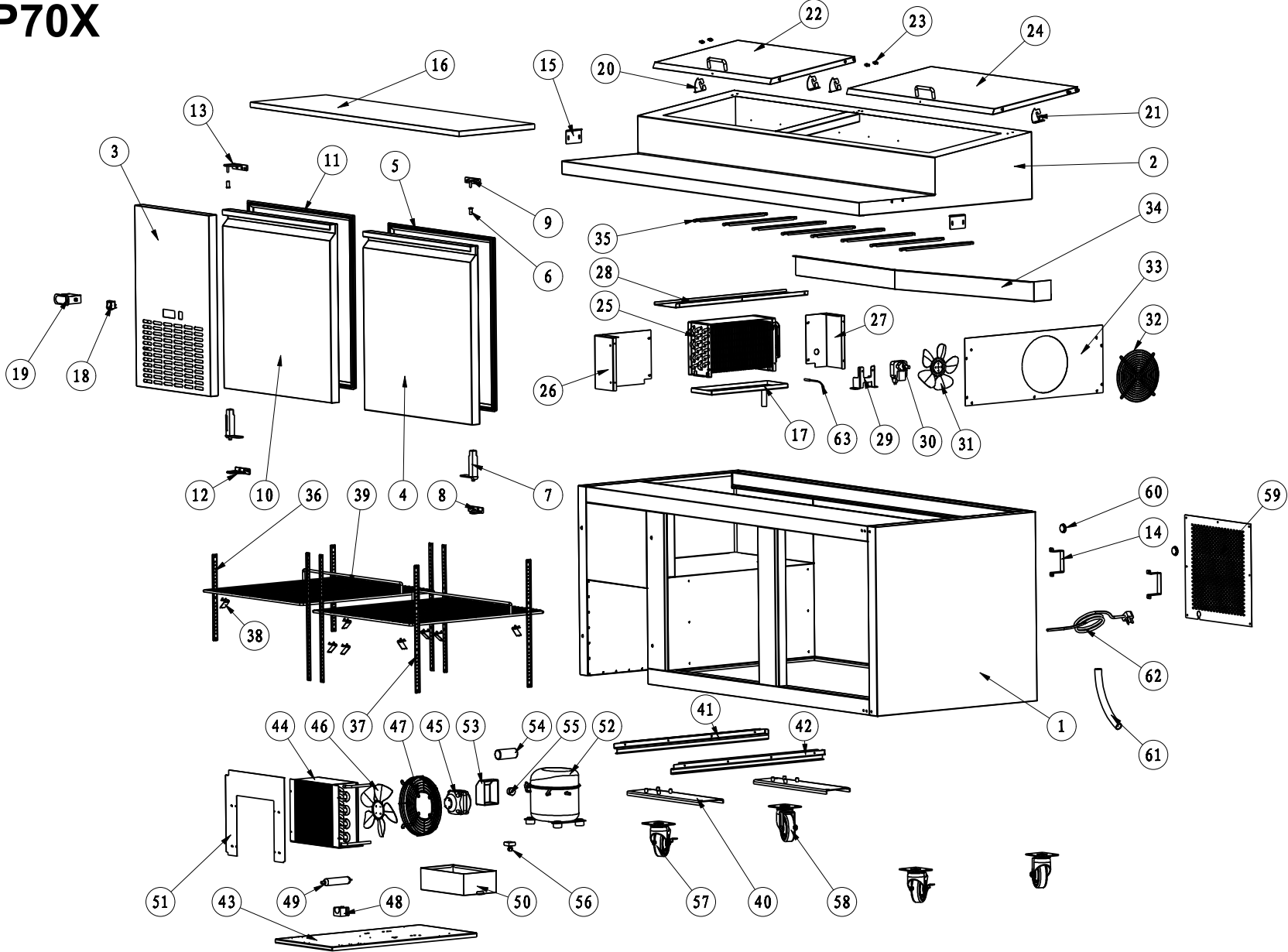
MODEL EP67X



PARTS LIST FOR MODEL EP67X

NO.	ENTRÉE #	DESCRIPTION	QTY	NO.	ENTRÉE #	DESCRIPTION	QTY
1	NA	CABINET	1	36	XPP001855	PILASTER-3 HOLES	2
2	NA	TOP RAIL	1	37	XPP601093	PILASTER-4 HOLES	6
3	X2199001627	CONTROL PANEL	1	38	X5302000003	PILASTER CLIP	8
4	X2199001828	DOOR, RIGHT	1	39	X12502012957	SHELF (21.46" X 24.41") [545mm X 620mm]	2
5	X16401610638	GASKET (24.72" X 24.33") [328mm X 618mm]	1	40	XRI0075	EVAPORATOR FAN COVER (PRIOR JULY 2022)	1
6	XX-HA0326	HINGE AXIS PLASTIC BUSHING	2	40	XPP070200	EVAPORATOR FAN COVER (AFTER JULY 2022)	2
7	XX-DC0328	HINGE CARTRIDGE, SELF CLOSING	2	41	NA	CASTER SUPPORT **NON STOCKING ITEM**	2
8	X12517140005	HINGE, BOTTOM RIGHT	1	42	NA	LEFT COMPRESSOR UNIT TRACK	1
9	X12517140004	HINGE, UPPER RIGHT	1	43	NA	RIGHT COMPRESSOR UNIT TRACK	1
10	X2199001829	LEFT DOOR	1	44	NA	COMPRESSOR UNIT INSTALLATION BOARD	1
11	X16401610638	GASKET (24.72" X 24.33") [328mm X 618mm]	1	45	XPP120281	CONDENSER COIL (6R12K280L)	1
12	X12517140003	HINGE, BOTTOM LEFT	1	46	X22752500022	CONDENSER FAN MOTOR (YZF10-20-26) (PRIOR JULY 2022)	1
13	X12517140002	HINGE, UPPER LEFT	1	46	XRI000032	CONDENSER FAN MOTOR (YZ10-20) (AFTER JULY 2022)	1
14	XX-RSB001	STAND OFF BRACKET	2	47	X16381738122	CONDENSER FAN BLADE (PRIOR TO JULY 2022)	1
15	X2199001462	BRACKET FOR CUTTING BOARD	2	47	XRI0015-1	FAN MOTOR BLADE (for Motor #XRI000032, FROM JUNE 2021)	1
16	XX-CBP067	CUTTING BOARD (67.28" X 19.53" X 0.59") [1709mm X 496mm X 15mm]	1	48	XRI0122	CONDENSER FAN COVER (PRIOR TO JUL 2022)	1
17	XPP007522	LEFT SIDE FRONT & REAR BRACKET FOR PAN SUPPORT	2	48	XDD050232	CONDENSER FAN COVER (AFTER JULY 2022) INTERCHANGEABLE WITH XRI0122	1
18	X2199001630	INNER DRAIN PAN	1	49	NON STOCKING	FILTER BRACKET	1
19	XRI0056	POWER SWITCH (RED)	1	50	XX-H00341	FILTER DRIER (F25X160-B)	1
20	X17709030003	THERMOSTAT (DIXELL XR02CX-4N0C1-XX)	1	51	X16316130008	DRAIN PAN OUTER (7.6" X 6.75" X 3")	1
21	X2199001631	LEFT LID HINGE	2	52	X2199001685	AIR SHIELD BOARD (NON STOCKING PART)	1
22	X2199001632	RIGHT LID HINGE	2	53	XX-HC0001	COMPRESSOR (EM2X3117U) (PRIOR July 2022)	1
23	X2199001830	LID - (30.59" X 15.75") [722mm X 400mm]	1	54	XSTARTKIT03	STARTING COMPONENTS FOR EM2X3117U	1
24	X12515010010	LID HINGE AXIS	8	53	XX-HC0003	COMPRESSOR (EM2X3125U) (AFTER JULY 2022)	1
25	X2199001831	LID - (35.51" X 15.75") [902mm X 400mm]	1	54	XX-HC0003K	STARTING COMPONENTS FOR EM2X3125U	1
26	X17405070396	EVAPORATOR (5R7K396L) (USED PRIOR TO JULY 2022)	1	54	X280012	CAP TUBE .047" I.D. X 110.25" L	1
26	XPP070450	EVAPORATOR COIL (4R7K450L) (AFTER JULY 2022)	1	55	***USE 54***	START CAPACITOR	1
27	XPP002332	LEFT SUPPORT OF EVAPORATOR COVER (AFTER JULY 2022)	1	56	***USE 54***	OVERLOAD PROTECTOR	1
28	XPP002333	RIGHT SUPPORT OF EVAPORATOR COVER (AFTER JULY 2022)	1	57	***USE 54***	STARTER	1
29	X2199001680	UPPER SUPPORT OF EVAPORATOR COVER (PRIOR JULY 2022)	1	58	XX-SC0319	4" CASTER W/O BRAKE	2
29	XPP002290	UPPER SUPPORT OF EVAPORATOR COVER (AFTER JULY 2022)	1	59	XX-SCB319	4" CASTER W/ BRAKE	2
30	XEFMB023	EVAPORATOR FAN MOTOR BLADE (V200)	1	60	X2199001647	BACK GRILL	1
31	X2199001682	EVAPORATOR COVER (PRIOR JULY 2022)	1	61	N/A	AIR GUIDE SHEET	1
31	XPP001863	EVAPORATOR COVER (AFTER JULY 2022)	1	62	XX-DT0135	DRAIN HOSE	1
32	X22752520015	EVAPORATOR FAN MOTOR (EM3020L-28-C04) (PRIOR JULY 2022)	1	63	XX-2194684	POWER CORD NEMA-5-15P 16AWG, 8' LONG	1
32	XRI0083	FAN MOTOR (YZF6-13-26) 1550RPM (AFTER JULY 2022)	2	64	XRI0039	TEMPERATURE SENSOR (NTC TYPE, 118")	1
33	XPP007523	RIGHT SIDE FORNT & REAR BRACKET FOR PAN SUPPORT	2	66	N/A	BRACKET, AIR GUIDE SHEET	1
34	XPP701279	PAN BRACKET-25	6	67	N/A	BOTTOM RAIL FOR AIRE CYCLE	1
35	XPP701278	PAN BRACKET-15	2				

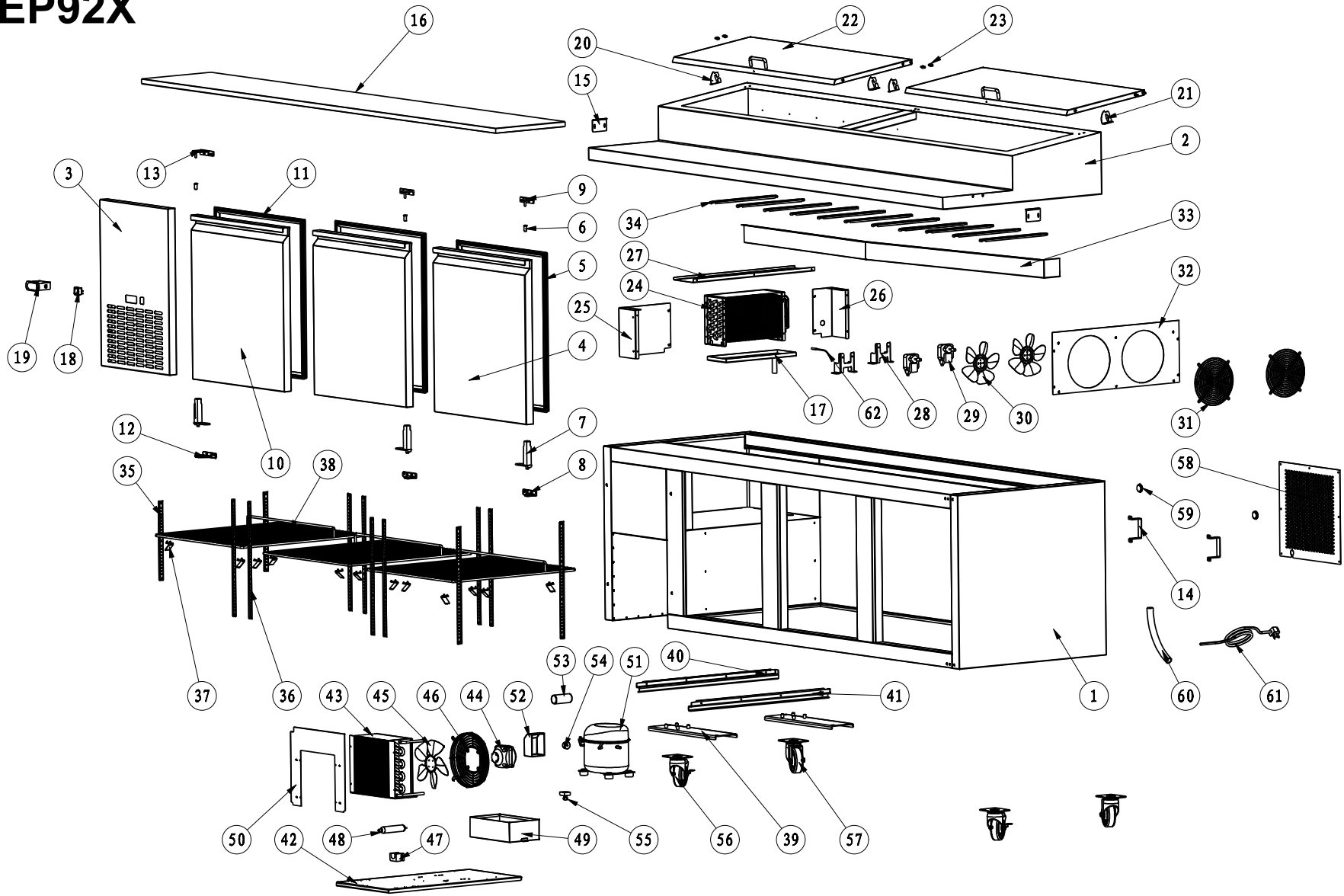
EP70X



PARTS LIST FOR MODEL EP70X

Ref #	Part Number	Description	Qty	Ref #	Part Number	Description	Qty
1	X2199001686	CABINET	1	33	X2199001682	EVAPORATOR COVER	1
2	X2199001687	TOP RAIL	1	34	X2199001683	AIR GUIDE SHEET	1
3	X2199001627	CONTROL PANEL	1	35	X2199001684	PAN BRACKET-25	7
4	X2199001688	RIGHT DOOR	1	36	X2199001321	K STRIP-3 HOLES	2
5	X16401610638	GASKET (24.72" X 24.33") [628mm x 618mm]	1	37	X2199001095	K STRIP-4 HOLES	6
6	X16353010008	AXIS COVER	2	38	X5302000003	K CLIP	8
7	X12517240002	DOOR CLOSURE	2	39	X12502012593	SHELF	2
8	X12517140005	BOTTOM RIGHT HINGE	1	40	X2199001642	CASTER SUPPORT	2
9	X12517140004	UPPER RIGHT HINGE	1	41	X2199001643	LEFT COMPRESSOR UNIT TRACK	1
10	X2199001689	LEFT DOOR	1	42	X2199001644	RIGHT COMPRESSOR UNIT TRACK	1
11	X16401610638	GASKET (24.72" X 24.33") [628mm x 618mm]	1	43	X2199001645	COMPRESSOR UNIT INSTALLATION BOARD	1
12	X12517140003	BOTTOM LEFT HINGE	1	44	X17306120281	CONDENSER	1
13	X12517140002	UPPER LEFT HINGE	1	45	X17701001026	CONDENSER FAN MOTOR	1
14	X2199001472	STAND OFF BRACKET	2	46	X16381738122	BLADE OF CONDENSER FAN MOTOR	1
15	X2199001462	FIXER FOR CUTTING BOARD	2	47	X22726010003	CONDENSER FAN COVER	1
16	XX-CBP070	CUTTING BOARD	1	48	X16369690257	FILTER BRACKET	1
17	X2199001660	INNER DRAIN PAN	1	49	X17111250198	FILTER DRIER	1
18	X17749211297	POWER SWITCH	1	49	X280012	CAP TUBE .047" I.D. X 110.25" L (NOT SHOWN)	1
19	X17709030003	THERMOSTAT	1	50	X16316130008	OUTER DRAIN PAN	1
20	X2199001631	LEFT LID HINGE	2	51	X2199001685	AIR SHIELD BOARD	1
21	X2199001632	RIGHT LID HINGE	2	52	X17202163117	COMPRESSOR (EM2X3117U/115VAC/60 Hz/R290)	1
22	X2199001691	LID	1	52	XX-STARTKITC1	START KIT FOR EM2X3117U INCLUDES ITEM 53, 54, 55 AND 56	1
23	X12515010010	LID HINGE AXIS	8	53	***	SPLICE BOX	1*
24	X2199001692	LID	1	54	X117U7011	START CAPACITOR	1*
25	X17405070396	EVAPORATOR	1	55	XNSL615C4X	OVERLOAD PROTECTOR	1*
26	X2199001693	LEFT SUPPORT OF EVAPORATOR COVER	1	56	X117U5023	START CAPACITOR	1*
27	X2199001694	RIGHT SUPPORT OF EVAPORATOR COVER	1	57	X12533070420	4" CASTER WITH BRAKE	2
28	X2199001680	UPPER SUPPORT OF EVAPORATOR COVER	1	58	X12533040420	4" CASTER	2
29	X2199001681	EVAPORATOR FAN MOTOR HOLDER	1	59	X2199001647	BACK GRILL	1
30	X22752520015	EVAPORATOR FAN MOTOR	1	60	X16352020002	FOAMING HOLE COVER	2
31	X16381738082	BLADE OF EVAPORATOR FAN MOTOR	1	61	X15809080016	DRAIN HOSE	1
32	X12504072415	EVAPORATOR FAN COVER	1	62	X17664640051	POWER CORD	1
				63	X17649490013	TEMPERATURE SENSOR OF CABINET INSIDE	1

EP92X



PART LIST FOR MODEL EP92X

Ref #	Part Number	Description	Qty	Ref #	Part Number	Description	Qty
1	X2199001696	CABINET	1	33	X2199001683	AIR GUIDE SHEET	1
2	X2199001697	TOP RAIL	1	34	X2199001684	PAN BRACKET-25	11
3	X2199001627	CONTROL PANEL	1	35	X2199001321	K STRIP-3 HOLES	2
4	X2199001698	RIGHT DOOR	2	36	X2199001095	K STRIP-4 HOLES	10
5	X16401570638	GASKET (24.72" X 22.56") [628mm X 573mm]	2	37	X5302000003	K CLIP	12
6	X16353010008	AXIS COVER	3	38	X12502115762	SHELF	3
7	X12517240002	DOOR CLOSURE	3	39	X2199001642	CASTER SUPPORT	2
8	X12517140005	BOTTOM RIGHT HINGE	2	40	X2199001643	LEFT COMPRESSOR UNIT TRACK	1
9	X12517140004	UPPER RIGHT HINGE	2	41	X2199001644	RIGHT COMPRESSOR UNIT TRACK	1
10	X2199001699	LEFT DOOR	1	42	X2199001645	COMPRESSOR UNIT INSTALLATION BOARD	1
11	X16401570638	GASKET (24.72" X 22.56") [628mm X 573mm]	1	43	X17306120281	CONDENSER	1
12	X12517140003	BOTTOM LEFT HINGE	1	44	X17701001026	CONDENSER FAN MOTOR	1
13	X12517140002	UPPER LEFT HINGE	1	45	X16381738122	BLADE OF CONDENSER FAN MOTOR	1
14	X2199001472	STAND OFF BRACKET	2	46	X22726010003	CONDENSER FAN COVER	1
15	X2199001462	FIXER FOR CUTTING BOARD	2	47	X16369690257	FILTER BRACKET	1
16	XX-CBP092	CUTTING BOARD	1	48	X17111250198	FILTER DRIER	1
17	X2199001670	INNER DRAIN PAN	1	48	X280014	CAP TUBE .055" I.D. X 110.25" L (NOT SHOWN)	1
18	X17749211297	POWER SWITCH	1	49	X16316130008	OUTER DRAIN PAN	1
19	X17709030003	THERMOSTAT	1	50	X2199001685	AIR SHIELD BOARD	1
20	X2199001631	LEFT LID HINGE	2	51	X17202163125	COMPRESSOR (EM2X3125U 120VAC, 60Hz, R290)	1
21	X2199001632	RIGHT LID HINGE	2	51	XX-STARTKITC2	START KIT FOR COMPRESSOR (EM2X3125U)	1
22	X2199001701	LID	2	52	X51330045401BU	COMPONENT COVER BOX	1*
23	X12515010010	LID HINGE AXIS	8	53	X13556094	START CAPACITOR	1*
24	X17405070516	EVAPORATOR	1	54	X13634237	OVERLOAD PROTECTOR	1*
25	X2199001702	LEFT SUPPORT OF EVAPORATOR COVER	1	55	X13650051	STARTER	1*
26	X2199001703	RIGHT SUPPORT OF EVAPORATOR COVER	1	56	X12533070420	4" CASTER WITH BRAKE	2
27	X2199001680	UPPER SUPPORT OF EVAPORATOR COVER	1	57	X12533040420	4" CASTER	2
28	X2199001681	EVAPORATOR FAN MOTOR HOLDER	2	58	X2199001647	BACK GRILL	1
29	X22752520015	EVAPORATOR FAN MOTOR	2	59	X16352020002	FOAMING HOLE COVER	2
30	X16381738082	BLADE OF EVAPORATOR FAN MOTOR	2	60	X15809080016	DRAIN HOSE	1
31	X12504072415	EVAPORATOR FAN COVER	2	61	X17664640051	POWER CORD	1
32	X2199001682	EVAPORATOR COVER	1	62	X17649490013	TEMPERATURE SENSOR OF CABINET INSIDE	1



PART LISTS FOR PIZZA PREP MODELS: EP44X, EP49X, EP67X, EP70X AND EP92X



www.entree.biz
704-900-2068

REVISION DATE: FEBRUARY 5, 2026