



**MERCHANDISERS  
REFRIGERATORS & FREEZER  
PARTS LISTS**



**PHONE: 704-900-2068**  
**Website: [www.entree.biz](http://www.entree.biz)**

### MODEL NUMBER BREAK DOWN:

The model number breakdown is really easy and simple:

For example: EGM21X

**E** – Entrée,

**G** – Glass

**M** – MERCHANDISER

**21** –Width of Merchandiser

No letter – Refrigerator, if this was an “**F**” it would be a FREEZER.

**X** – Factory Identifier

The EGM**SDR**54X is the only odd model because it has two SLIDING doors. All the other models are swing doors. The stand hinge side on all single door is on the right side as you would be looking at the merchandiser.

**SDR** = Sliding Door Refrigerator

### SERIAL NUMBER BREAKDOWN:

There are 16 digits in the serial number, NO LETTERS.

Example: 6016171117030101

The third set of four (4) number are the date when manufactured:

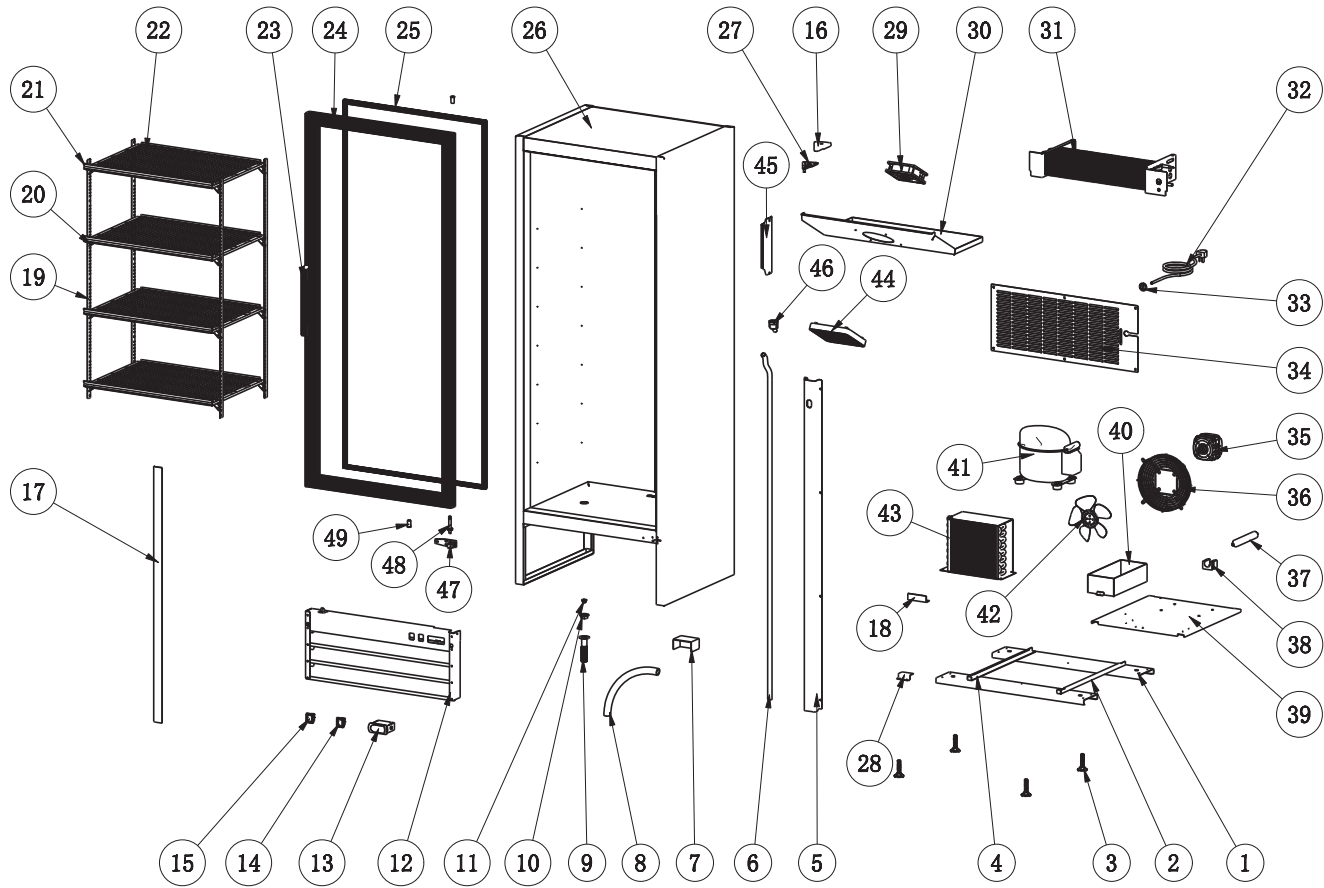
Year manufactured: 17 = 2017 03=March

All models use R290 Freon

### TO ORDER PARTS:

To order parts that are non-warranty, please call 704-900-2068 and select option #2 for our parts distributor.

# MODEL EGM21X

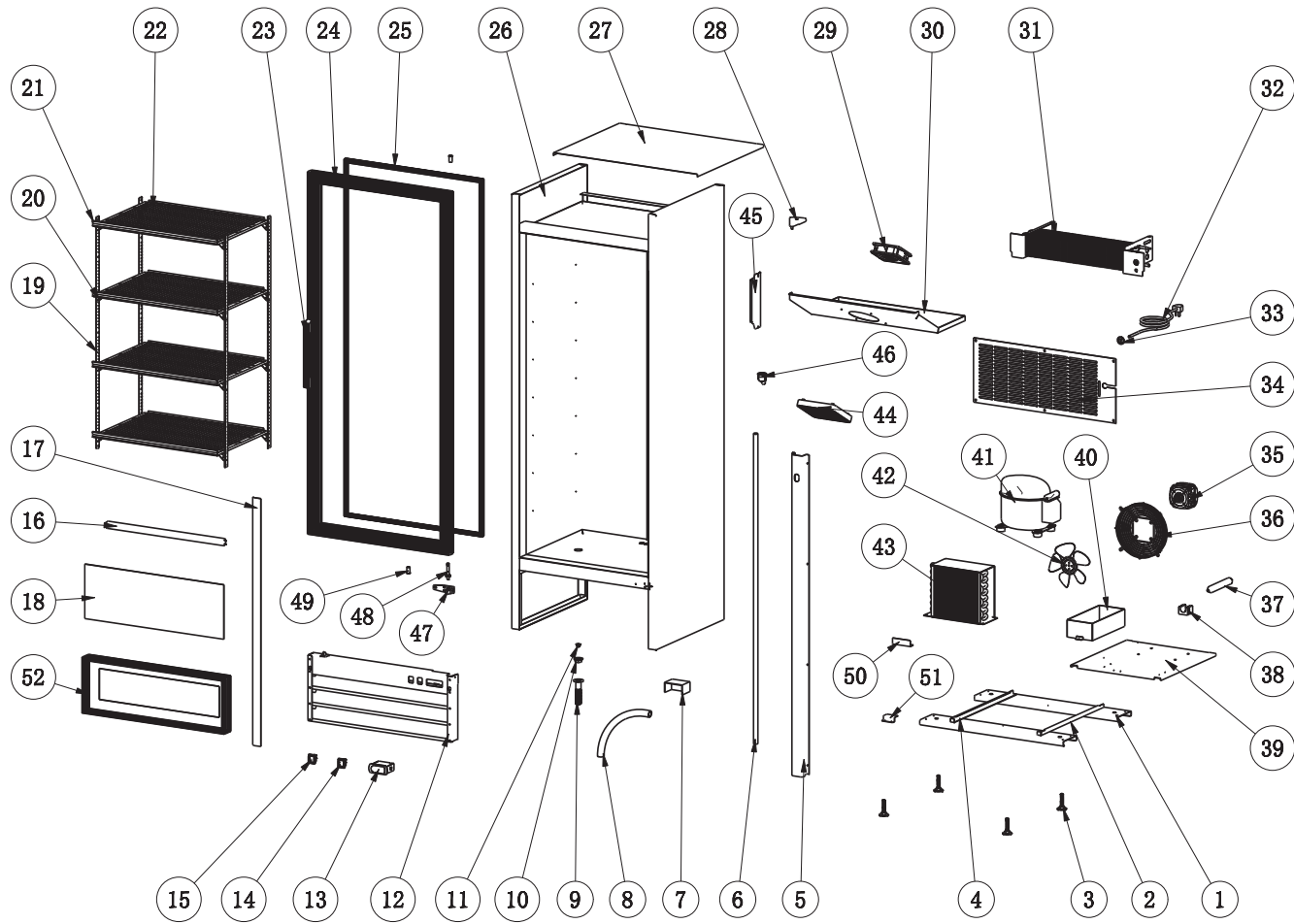


## MODEL EGM21X

| NO. | Part #       | Description                         | QTY |
|-----|--------------|-------------------------------------|-----|
| 1   | N/A          | CASTER MOUNTING CHANNEL             | 2*  |
| 2   | N/A          | RIGHT TRACK FOR INSTALLATION BOARD  | 1*  |
| 3   | X12534030002 | LEVELING FEET                       | 4   |
| 3   | XSC30001     | CASTER SWIVEL 2" W/O BRAKE          | 2   |
| 3   | XSC30002     | CASTER SWIVEL 2" W/BRAKE            | 2   |
| 4   | N/A          | LEFT TRACK FOR INSTALLATION BOARD   | 1*  |
| 5   | XGM001176    | REAR GRILL                          | 1*  |
| 6   | X15818180013 | DRAIN TUBE - INTERIOR               | 1   |
| 7   | X16351170004 | WATERPROOF COVER FOR THERMOSTAT     | 1   |
| 8   | XRI0024      | DRAIN TUBE - EXTERIOR               | 1   |
| 9   | X15810020900 | PLASTIC DRAIN PIPE                  | 1   |
| 10  | X15810020900 | PLASTIC DRAIN PIPE                  | 1   |
| 11  | X16369260001 | DRAIN PIPE COVER                    | 1   |
| 12  | X2199001177  | FRONT GRILLE                        | 1   |
| 13  | XRI0060      | THERMOSTAT (XR03CX-4N0F1/115V)      | 1   |
| 14  | X17749180002 | LED LIGHT SWITCH                    | 1   |
| 15  | XRI0056      | POWER SWITCH (RED)                  | 1   |
| 16  | XUC0014      | HINGE UPPER COVER                   | 2   |
| 17  | XLED410070   | LED LIGHT W/SOCKET 39.4" (12VCD/6W) | 1   |
| 18  | N/A          | HANDLE FOR CONDENSING TRAY          | 1   |
| 19  | XGM001178    | K STRIP                             | 4   |
| 20  | X5302000003  | K CLIP                              | 16  |
| 21  | X16311010412 | SHELF TAG                           | 4   |
| 22  | X12502013545 | SHELF (18" x 14")                   | 4   |
| 23  | X12526260024 | GLASS DOOR HANDLE                   | 1   |
| 24  | XGM531242    | DOOR GLASS (48.8" X 21.2")          | 1   |
| 25  | X16401000010 | GASKET GLASS DOOR (47.63" X 20.08") | 1   |

| NO. | Part #         | Description                           | QTY |
|-----|----------------|---------------------------------------|-----|
| 26  | N/A            | CABINET                               | 1   |
| 27  | X12518014790   | HINGE UPPER RIGHT                     | 1   |
| 28  | N/A            | CONDENSER PULL OUT HANDLE             | 1*  |
| 29  | X1003001114715 | FAN MOTOR                             | 1   |
| 30  | XGM001179      | EVAPORATOR COVER                      | 1   |
| 31  | XGM040351      | EVAPORATOR COIL                       | 1   |
| 32  | XRI0055        | POWER CORD NEMA-5-15P 16AWG, 8' LONG  | 1   |
| 33  | X16349150001   | POWER CORD COVER                      | 1   |
| 34  | XGM001180      | REAR GRILL                            | 1*  |
| 35  | X22752520006   | FAN MOTOR                             | 1   |
| 36  | XRI0120        | FAN MOTOR GUARD/COVER                 | 1   |
| 37  | XX-H00341      | FILTER DRIER (F25X160-B)              | 1   |
| 38  | XX-H00346      | FILTER BRACKET                        | 1*  |
| 38  | X190009        | CAP TUBE .035" I.D. X 74.8" L         | 1   |
| 39  | N/A            | CONDENSING UNIT INSTALLATION PANEL    | 1*  |
| 40  | X16316130006   | DRAIN PAN OUTER (9.7" X 3.9" X 3")    | 1   |
| 41  | XX-HC0001      | COMPRESSOR (EM2X3117U/115V/60HZ/R290) | 1   |
| 41  | XX-STARTKITHC1 | START KIT FOR EM2X3117U               | +   |
| 42  | X16381738052   | CONDENSER FAN BLADE                   | 1   |
| 43  | X17303080202   | CONDENSER COIL                        | 1   |
| 44  | X12504050002   | EVAPORATOR FAN COVER                  | 1   |
| 45  | X22753530009   | LED POWER SUPPLY                      | 1   |
| 46  | X16369330055   | DRAIN TUBE INNER CONNECTOR            | 1   |
| 47  | X12517060309   | HINGE, BOTTOM                         | 1   |
| 48  | XGM030003      | BOTTOM SPRING AXIS                    | 1   |
| 49  | X16353010017   | AXIS COVER                            | 2   |

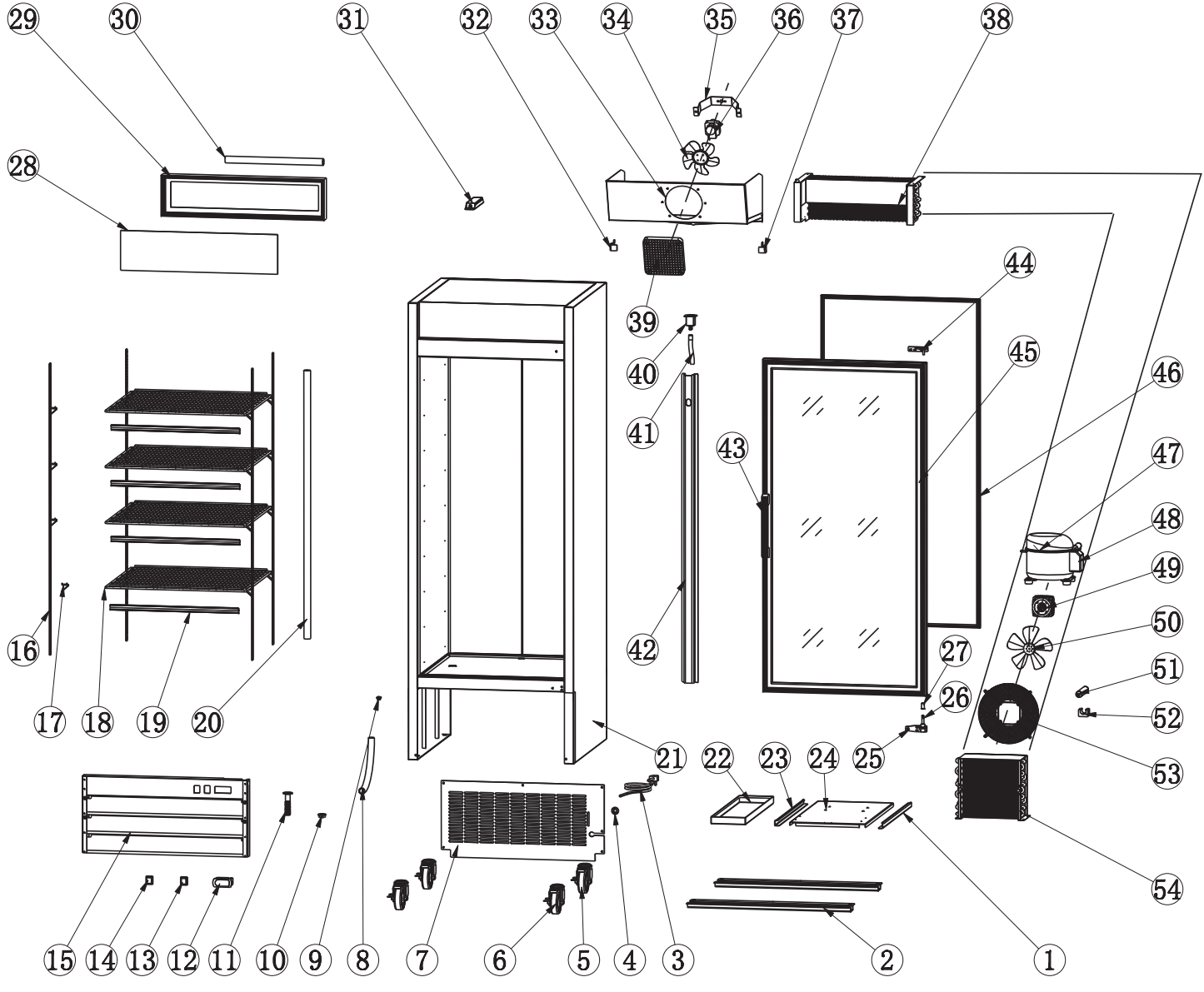
# MODEL EGM26X



## MODEL EGM26X

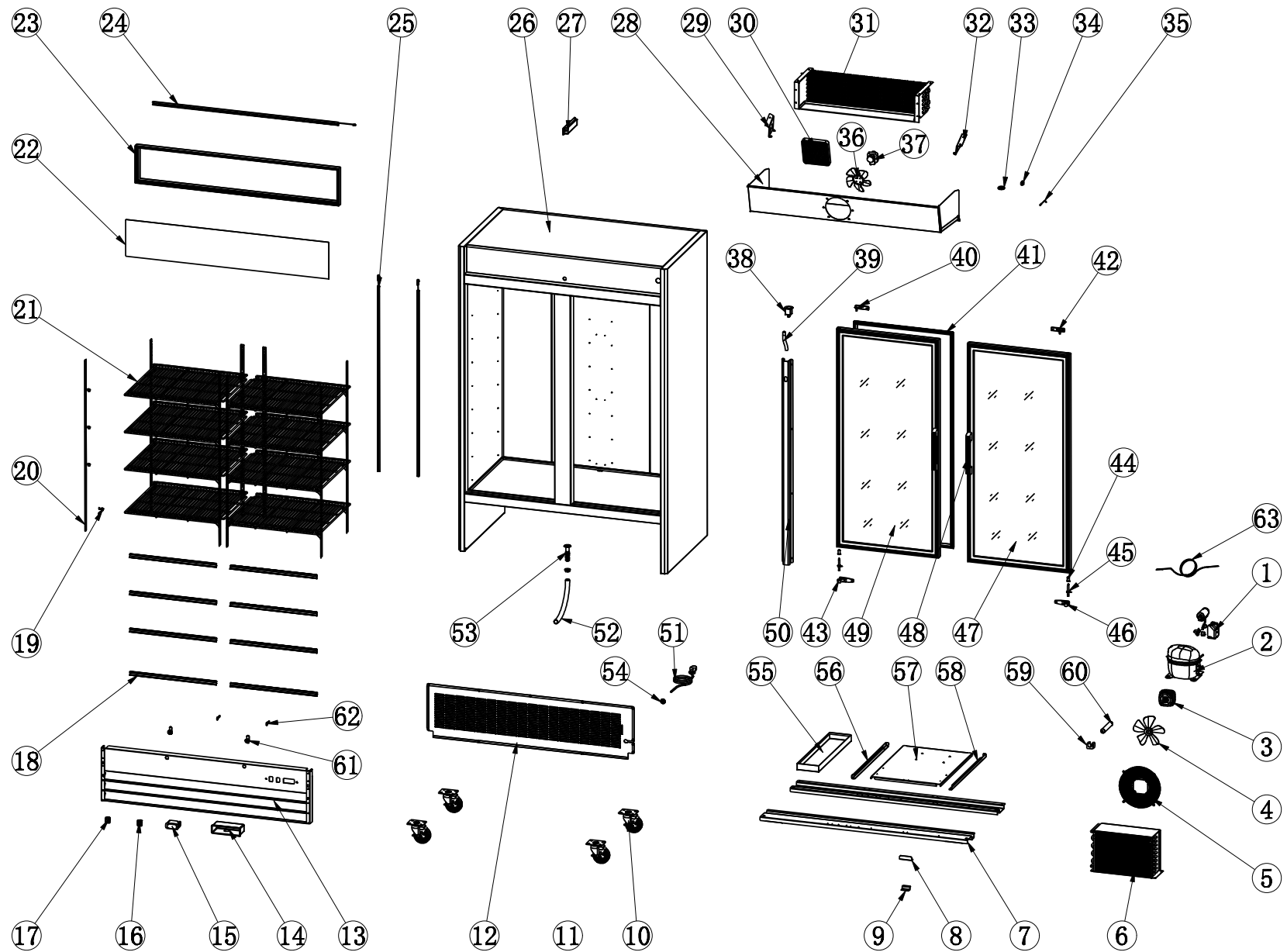
| NO. | Part #       | Description                            | QTY | NO. | Part #         | Description                           | QTY |
|-----|--------------|--|-----|-----|----------------|---------------------------------------|-----|
| 1   | N/A          | CASTER MOUNTING CHANNEL                | 2*  | 27  | X2199001201    | TOP COVER                             | 1*  |
| 2   | N/A          | RIGHT TRACK FOR INSTALLATION BOARD     | 1*  | 28  | X12517050004   | HINGE UPPER RIGHT                     | 1   |
| 3   | X12534030002 | LEVELING FEET                          | 4   | 29  | X1003001114715 | FAN MOTOR                             | 1   |
| 3   | XSC30001     | CASTER SWIVEL 2" W/O BRAKE             | 2   | 30  | X2199001202    | EVAPORATOR COVER                      | 1*  |
| 3   | XSC30002     | CASTER SWIVEL 2" W/BRAKE               | 2   | 31  | X17404040450   | EVAPORATOR COIL                       | 1   |
| 4   | N/A          | LEFT TRACK FOR INSTALLATION BOARD      | 1*  | 32  | XRI0055        | POWER CORD NEMA-5-15P 16AWG, 8' LONG  | 1   |
| 5   | NA           | AIR PIPE COVER PANEL                   | 1   | 33  | X16349150001   | POWER CORD COVER                      | 1   |
| 6   | X15818180013 | DRAIN TUBE - INTERIOR                  | 1   | 34  | XGM001203      | REAR GRILL                            | 1*  |
| 7   | X16351170004 | WATERPROOF COVER FOR THERMOSTAT        | 1   | 35  | X22752520006   | FAN MOTOR                             | 1   |
| 8   | XRI0024      | DRAIN TUBE - EXTERIOR                  | 1   | 36  | XRI0120        | FAN MOTOR GUARD/COVER                 | 1   |
| 9   | X15810020900 | PLASTIC DRAIN PIPE                     | 1   | 37  | XX-H00341      | FILTER DRIER (F25X160-B)              | 1   |
| 10  | X15810020900 | PLASTIC DRAIN PIPE                     | 1   | 37  | X220010        | CAP TUBE .039" I.D. X 86.6" L         | 1   |
| 11  | X16369260001 | DRAIN PIPE COVER                       | 1   | 38  | XX-H00346      | FILTER BRACKET                        | 1*  |
| 12  | X2199001199  | FRONT GRILLE                           | 1   | 39  | N/A            | CONDENSING UNIT INSTALLATION PANEL    | 1*  |
| 13  | XRI0060      | THERMOSTAT (XR03CX-4N0F1/115V)         | 1   | 40  | X16316130006   | DRAIN PAN OUTER (9.7" X 3.9" X 3")    | 1   |
| 14  | X17749180002 | LED LIGHT SWITCH                       | 1   | 41  | XX-HC0001      | COMPRESSOR (EM2X3117U/115V/60HZ/R290) | 1   |
| 15  | XRI0056      | POWER SWITCH (RED)                     | 1   | 41  | XX-STARTKITHC1 | START KIT FOR EM2X3117U               | +   |
| 16  | X17740410073 | LED LIGHT W/SOCKET 23.6" (12VDC/3.2W)  | 2   | 42  | X16381738052   | CONDENSER FAN BLADE                   | 1   |
| 17  | X17740410071 | LED LIGHT W/SOCKET 47.25" (12VDC/7.2W) | 1   | 43  | X17303080202   | CONDENSER COIL                        | 1   |
| 18  | N/A          | HANDLE FOR CONDENSER TRAY              | 1   | 44  | X12504050002   | EVAPORATOR FAN COVER                  | 1   |
| 19  | X2199001200  | K STRIP                                | 4   | 45  | X22753530009   | LED POWER SUPPLY                      | 1   |
| 20  | X5302000003  | K CLIP                                 | 16  | 46  | X16369330055   | DRAIN TUBE INNER CONNECTOR            | 1   |
| 21  | X16311010520 | SHELF TAG                              | 4   | 47  | X12517060309   | HINGE, BOTTOM                         | 1   |
| 22  | X12502014056 | SHELF (22.28" X 16")                   | 4   | 48  | XGM030003      | BOTTOM SPRING AXIS                    | 1   |
| 23  | X12526260024 | GLASS DOOR HANDLE                      | 1   | 49  | X16353010017   | AXIS COVER                            | 2   |
| 24  | XGM631466    | DOOR GLASS (57.6" X 25.1")             | 1   | 50  | N/A            | HANDLE FOR CONDENSING TRAY            | 1   |
| 25  | X16401000015 | GASKET GLASS DOOR (56.38" X 24.02")    | 1   | 51  | N/A            | CONDENSER PULL OUT HANDLE             | 1*  |
| 26  | N/A          | CABINET                                | 1   | 52  | X12901225640   | LIGHT BOX FRAME (25.2" X 8.9")        | 1   |

# MODEL EGM28X

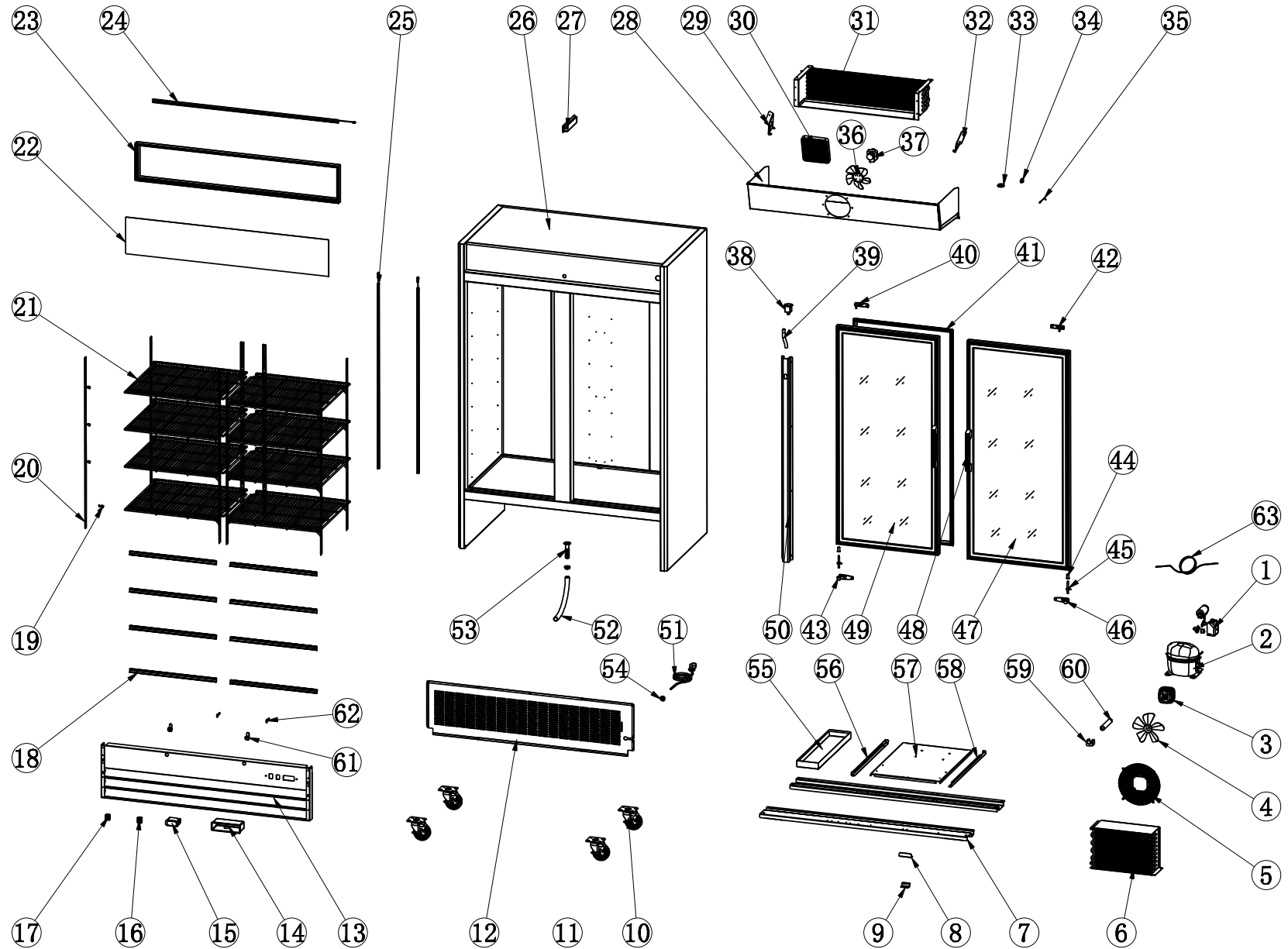


# MODEL EGM28X

| NO. | Part #       | Description                               | QTY | NO. | Part #         | Description  | QTY |
|-----|--------------|---|-----|-----|----------------|--|-----|
| 1   | N/A          | RIGHT TRACK FOR CONDENSER PANEL           | 1*  | 27  | X16353010017   | AXIS COVER   | 2   |
| 2   | N/A          | CASTER MOUNTING CHANNEL                   | 2*  | 28  | X16317170702   | PLASTIC PANEL (27.64" x 6.77" X .078")             | 1   |
| 3   | XRI0055      | POWER CORD NEMA-5-15P 16AWG, 8' LONG      | 1   | 29  | X12901177710   | LIGHT BOX FRAME (28" X 7")                         | 1   |
| 4   | X16349150001 | POWER CORD COVER                          | 1   | 30  | X17740410073   | LED LIGHT W/SOCKET 23.6" (12VDC/3.2W)              | 1   |
| 5   | X12533040010 | CASTER SWIVEL 3" W/O BRAKE                | 2   | 31  | X22753530009   | LED POWER SUPPLY                                   | 4   |
| 6   | X12533040015 | CASTER SWIVEL 3" W/BRAKE                  | 2   | 32  | N/A            | LEFT BRACKET FOR EVAPORATOR FAN COVER              | 1*  |
| 7   | XGM001206    | REAR GRILL                                | 1*  | 33  | X2199001210    | EVAPORATOR COVER                                   | 1*  |
| 8   | XRI0024      | DRAIN TUBE - EXTERIOR                     | 1   | 34  | X16381738012   | EVAPORATOR FAN MOTOR BLADE                         | 1   |
| 9   | X16369260001 | DRAIN PIPE COVER                          | 1   | 35  | N/A            | FAN MOTOR BRACKET                                  | 1*  |
| 10  | X15810020900 | PLASTIC DRAIN PIPE                        | 1   | 36  | X22752520015   | FAN MOTOR  | 1   |
| 11  | X15810020900 | PLASTIC DRAIN PIPE                        | 1   | 37  | N/A            | RIGHT BRACKET FOR EVAPORATOR FAN COVER             | 1*  |
| 12  | XRI0060      | THERMOSTAT (XR03CX-4N0F1/115V)            | 1   | 38  | XGM070461      | EVAPORATOR COIL                                    | 1   |
| 12  | XRI0034      | EVAPORATOR TEMPERATURE SENSOR(NTC, 158")  | 1   | 39  | X12504050002   | EVAPORATOR FAN COVER                               | 1   |
| 12  | XRI0033      | CABINET PROBE (NTC, 158")                 | 1   | 40  | X16369330055   | DRAIN TUBE INNER CONNECTOR                         | 1   |
| 13  | X17749180002 | LED LIGHT SWITCH                          | 1   | 41  | X15818180013   | DRAIN TUBE - INTERIOR                              | 1   |
| 14  | XRI0056      | POWER SWITCH (RED)                        | 1   | 42  | N/A            | AIR PIPE COVER PANEL                               | 1   |
| 15  | X2199001207  | FRONT GRILLE                              | 1   | 43  | X12526260024   | GLASS DOOR HANDLE                                  | 1   |
| 16  | XRI0005      | K STRIP                                   | 4   | 44  | X12517050004   | HINGE UPPER RIGHT                                  | 1   |
| 17  | X5302000003  | K CLIP                                    | 16  | 44  | X12517050002   | HINGE UPPER LEFT (OPTIONAL FOR LEFT SWING DOOR)    | 1   |
| 18  | X12502115961 | SHELF (24.3" X 23.2")                     | 4   | 45  | X14201711445   | DOOR GLASS (56.7" X 28") RIGHT SWING -STANDARD     | 1   |
| 19  | X16311010580 | SHELF TAG                                 | 4   |     | XM010094       | DOOR GLASS (56.7" X 28") LEFT SWING *SPECIAL ORDER | 1*  |
| 20  | X17740410071 | LED LIGHT W/SOCKET 47.25" (12VDC/7.2W)    | 1   | 46  | X16401000024   | GASKET GLASS DOOR ( 55.5" X 26.8")                 | 1   |
| 21  | N/A          | CABINET                                   | 1   | 47  | XX-HC0001      | COMPRESSOR (EM2X3117U/115V/60HZ/R290)              | 1   |
| 22  | XRI0090      | CONDENSER DRAIN PAN (12.5" X 4.3" X 1.6") | 1   | 48  | XX-STARTKITHC1 | START KIT FOR EM2X3117U                            | +   |
| 23  | N/A          | LEFT TRACK FOR CONDENSER PANEL            | 1*  | 49  | X22752520004   | FAN MOTOR  | 1   |
| 24  | N/A          | COMPRESSOR UNIT INSTALLATION BOARD        | 1*  | 50  | XRI0015        | CONDENSER FAN BLADE                                | 1   |
| 25  | X12517060309 | HINGE BOTTOM                              | 1   | 51  | XX-H00347      | FILTER DRIER (D25 X 167-D)                         | 1   |
| 25  | XGM002243    | HINGE BOTTOM LEFT                         | 1   | 52  | XX-H00346      | FILTER BRACKET                                     | 1*  |
| 26  | XGM030003    | BOTTOM SPRING AXIS                        | 1   | 52  | X250010        | CAP TUBE .039" I.D. X 86.6" L                      | 1   |
| *   |              | NON STOCKING PART                         |     | 53  | XRI0122        | FAN MOTOR GUARD/COVER                              | 1   |
|     |              |   |     | 54  | XSBC07036      | CONDENSER COIL                                     | 1   |



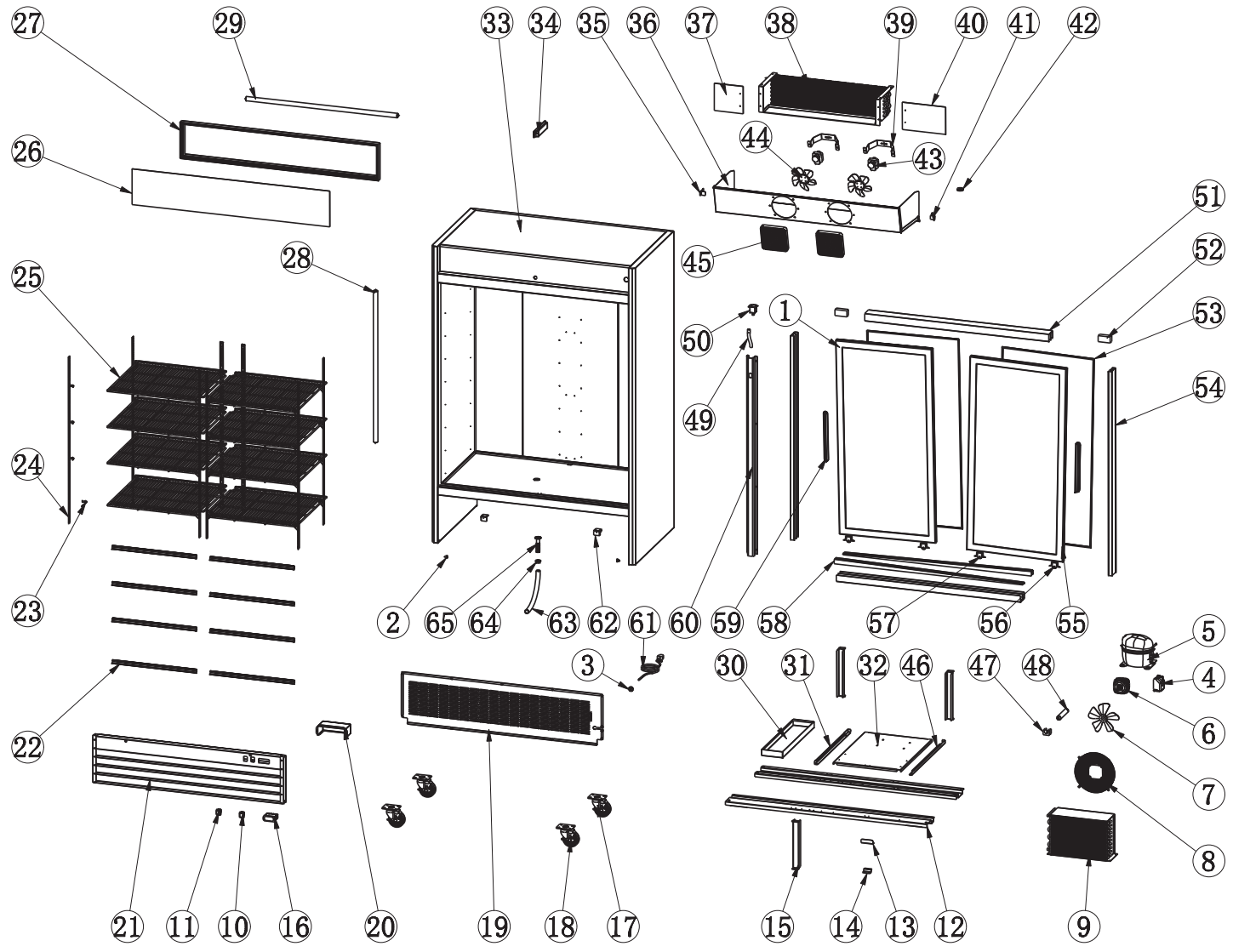
# Parts Diagram for Model EGM48X



## PART LIST FOR MODEL EGM48X

| NO. | PART #       | DESCRIPTION                                       | QTY | NO. | PART #       | DESCRIPTION   | QTY |
|-----|--------------|---|-----|-----|--------------|---|-----|
| 1   | XX-HC0021K   | START KIT (NUT70NR/115V/60HZ/R290)                | 1   | 33  | X16349180033 | POWER CORD COVER  | 1   |
| 2   | XX-HC0021    | COMPRESSOR (NUT70NR/115V/60HZ/R290) ALT XX-HC0009 | 1   | 34  | N/A          | TEMP PROBE CLIP   | 1   |
| 3   | XGM001027    | CONDENSER FAN MOTOR                               | 1   | 35  | N/A          | TEMPERATURE PROBE BRACKET   | 1   |
| 4   | XRI0015      | CONDENSER FAN MOTOR BLADE                         | 1   | 36  | XRI0015      | FAN MOTOR BLADE (for Motor #XRI000032) (OBS, REPLACED WITH XRI0015-1 JUNE 2021) | 1   |
| 5   | XDD050232    | CONDENSER FAN COVER                               | 1   | 36  | XRI0015-1    | FAN MOTOR BLADE (for Motor #XRI000032, FROM JUNE 2021)                          |     |
| 6   | XRI300001    | CONDENSER COIL (D230) USED AFTER March 2022       | 1   | 37  | X22752520015 | EVAPORATOR FAN MOTOR (EM3020L-28-C04) [USED PRIOR TO JULY 2022]                 | 1   |
| 7   | N/A          | BOTTOM SUPPORT CHANEL                             | 2   | 37  | XRI000032    | EVAPORATOR FAN MOTOR (USED AFTER JULY 2022)                                     | 1   |
| 8   | X2199001086  | HANDLE  | 1   | 38  | XRI0073      | DRAIN CONNECTOR   | 1   |
| 9   | N/A          | LIMIT BLOCK                                       | 1   | 39  | XDD180013    | DRAIN TUBE  | 1   |
| 10  | X12533040010 | 3" CASTER W/O BRAKE                               | 2   | 40  | X12517050002 | HINGE, UPPER LEFT   | 1   |
| 11  | X12533040015 | 3" CASTER W/BRAKE                                 | 2   | 41  | X16401000271 | GASKET, GLASS DOOR (54.53" X 24.80") [1385mm X 630mm]                           | 1   |
| 11  | XX-CSTRKIT04 | 4 - 3" CASTER KIT (2 W/BRAKE, 2 W/O BRAKE)        | OPT | 42  | X12517050004 | HINGE, UPPER RIGHT  | 1   |
| 12  | XGM001226    | GRILL, REAR                                       | 1   | 43  | X2199002136  | HINGE, BOTTOM LEFT  | 1   |
| 13  | X2199001227  | FRONT GRILL                                       | 1   | 44  | X16353010017 | AXIS COVER  | 4   |
| 14  | XGM130020    | WATER PROOF COVER OF THERMOSTAT                   | 1   | 45  | XGM030003    | BOTTOM SPRING AXIS  | 2   |
| 15  | XRI0060      | THERMOSTAT  | 1   | 46  | XGM002137    | HINGE, BOTTOM RIGHT   | 1   |
| 16  | X17749180002 | LED SWITCH  | 1   | 47  | XGM010183    | DOOR GLASS RIGHT (55.7" X 26") (BLACK FINISH)                                   | 1   |
| 17  | XRI0056      | POWER SWITCH (RED)                                | 1   | 48  | X12526260024 | DOOR HANDLE   | 2   |
| 18  | X16311010545 | SHELF TAG   | 8   | 49  | XGM010182    | DOOR GLASS LEFT (55.7" X 26") (BLACK FINISH)                                    | 1   |
| 19  | X5302000003  | SHELF CLIP  | 32  | 50  | X2199001235  | AIR PIPE PROTECTION BOARD   | 1   |
| 20  | XRI0005      | PILASTER  | 8   | 51  | XX-2194684   | POWER CORD NEMA-5-15P 16AWG, 8' LONG  | 1   |
| 21  | X12502012864 | SHELF (24.02" X 25.20") [610mm X 640mm]           | 8   | 52  | XRI0024      | DRAIN PIPE  | 1   |
| 22  | X16317181343 | PLASTIC PANEL (52.87" X 7.32") [1343mm X 186mm]   | 1   | 53  | XMC020900    | DRAIN TUBE, PLASTIC   | 1   |
| 23  | X12901191348 | LIGHT BOX FRAME                                   | 1   | 54  | X16349150001 | POWER CORD COVER (NON STOCKING)   | 1   |
| 24  | XLED100427   | L.E.D. CANOP LIGHT (AUDIO STYLE, SMG, L-1200MM)   | 1   | 55  | X16316130008 | DRAIN PAN OUTER (9.6" X 6.69" X 2.95") [245mm X 170mm X 75mm]                   | 1   |
| 25  | X17740410163 | L.E.D. LIGHT (AUDIO STYLE, PW3W-36A/1200mm)       | 2   | 56  | N/A          | LEFT RAIL FOR INSTALLATION BOARD  | 1   |
| 26  | N/A          | CABINET   | 1   | 57  | N/A          | INSTALLATION BOARD  | 1   |
| 27  | XDVR000261   | L.E.D. DRIVER (VDC-12040A0695)                    | 1   | 58  | N/A          | RIGHT RAIL FOR INSTALLATION BOARD   | 1   |
| 28  | NON STOCK    | EVAPORATOR COVER                                  | 1   | 59  | XX-H00346    | FILTER DRIER BRACKET  | 1   |
| 29  | NON STOCK    | EVAPORATOR FAN MOTOR BRACKET, LEFT                | 1   | 60  | XX-H00341    | FILTER DRIER  | 1   |
| 30  | XGM130157    | EVAPORATOR FAN COVER                              | 1   | 61  | XX-H00340    | LOCK AND KEY (KEY IS NOT SOLD SEPERATELY)                                       | 1   |
| 31  | XGM301121    | EVAPORATOR COIL (4R8K620L)                        | 1   | 62  | XX-H00340    | LOCK AND KEY (KEY IS NOT SOLD SEPERATELY)                                       | 1   |
| 32  | NON STOCK    | EVAPORATOR FAN MOTOR BRACKET, RIGHT               | 1   | 63  | X040020      | CAPILLARY (φ1.2*2.5*3200) (REPLACES X280014)                                    | 1   |

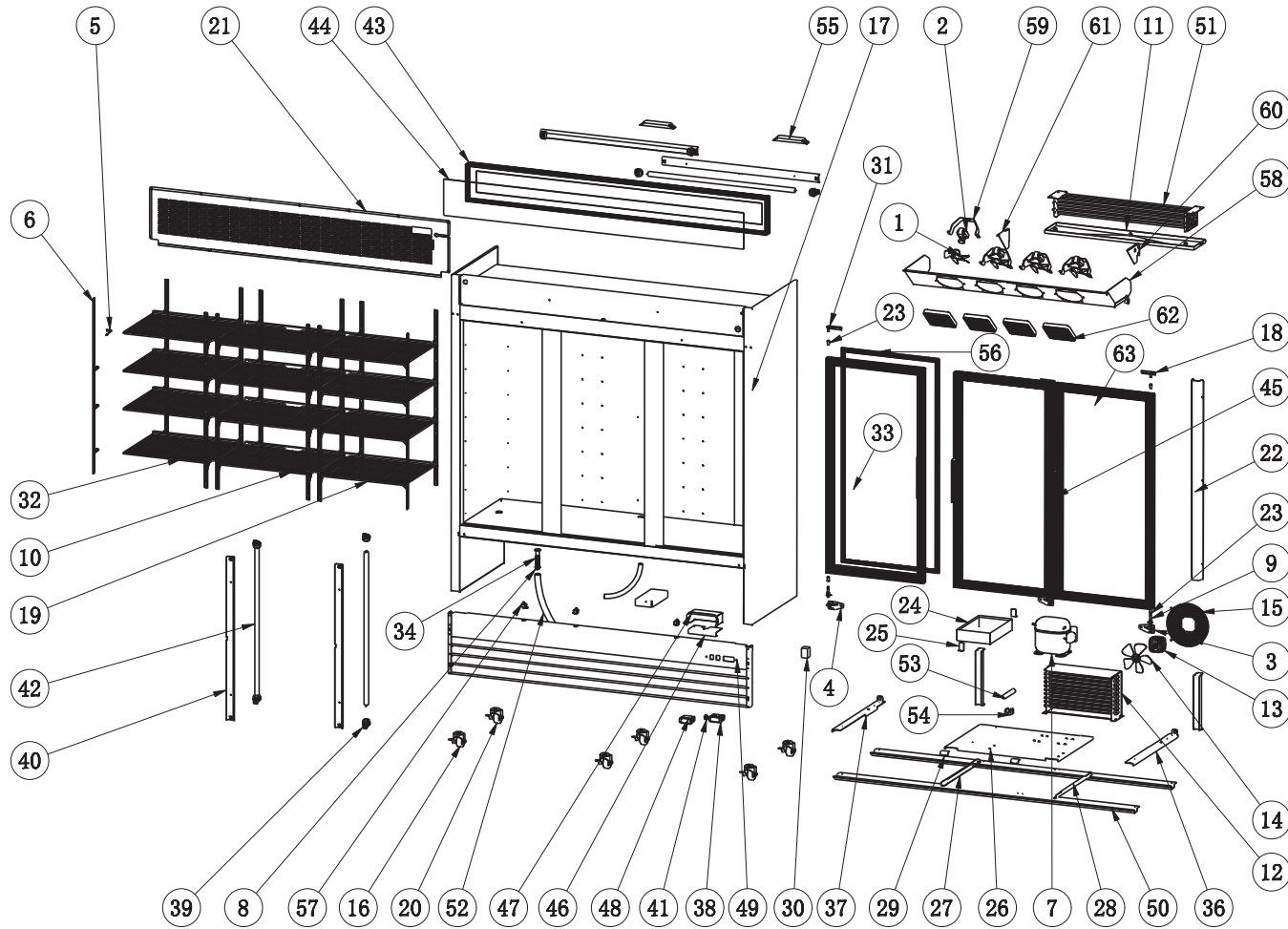
# MODEL EGMSDR54X



## MODEL EGMSDR54X

| NO. | Part #         | Description                               | QTY | NO. | Part #       | Description                              | QTY |
|-----|----------------|---|-----|-----|--------------|--|-----|
| 1   | X14201641294   | DOOR GLASS LEFT (50.8" X 25.2")           | 1   | 34  | X22753530010 | LED POWER SUPPLY                         | 1   |
| 2   | X12555000001   | FRONT GRILL BRACKET                       | 2*  | 35  | N/A          | LEFT BRACKET FOR EVAPORATOR FAN COVER    | 1*  |
| 3   | X16349150001   | POWER CORD COVER                          | 1   | 36  | X2199001230  | EVAPORATOR COVER                         | 1*  |
| 4   | XX-STARTKITHC2 | START KIT FOR EM2X3125U                   | +   | 37  | N/A          | LEFT END PLATE FOR EVAPORATOR            | 1*  |
| 5   | XX-HC0003      | COMPRESSOR (EM2X3125U/110VAC/60HZ/R290)   | 1   | 38  | X17405070746 | EVAPORATOR COIL                          | 1   |
| 6   | X22752520004   | FAN MOTOR                                 | 1   | 39  | N/A          | FAN MOTOR BRACKET                        | 1*  |
| 7   | XRI0015        | CONDENSER FAN BLADE                       | 1   | 40  | N/A          | RIGHT END PLATE FOR EVAPORATOR           | 1*  |
| 8   | XRI0122        | FAN MOTOR GUARD/COVER                     | 1   | 41  | N/A          | RIGHT BRACKET FOR EVAPORATOR FAN COVER   | 1*  |
| 9   | X17304100381   | CONDENSER COIL                            | 1   | 42  | X16349180033 | POWER CORD COVER                         | 1   |
| 10  | X17749180002   | LED LIGHT SWITCH                          | 1   | 43  | X22752520015 | FAN MOTOR                                | 2   |
| 11  | XRI0056        | POWER SWITCH (RED)                        | 1   | 44  | X16381738012 | EVAPORATOR FAN MOTOR BLADE               | 2   |
| 12  | N/A            | CASTER MOUNTING CHANEL                    | 2*  | 45  | X12504050002 | EVAPORATOR FAN COVER                     | 1   |
| 13  | N/A            | HANDLE FOR CONDENSING TRAY                | 1   | 46  | N/A          | RIGHT TRACK FOR CONDENSER PANEL          | 1*  |
| 14  | N/A            | CONDENSER PULL OUT HANDLE                 | 1*  | 47  | N/A          | FILTER BRACKET                           | 1*  |
| 15  | N/A            | SUPPORT ROD                               | 3*  | 48  | X280014      | CAP TUBE .055" I.D. X 110.25" L          | 1   |
| 16  | XRI0060        | THERMOSTAT (XR03CX-4N0F1/115V)            | 1   | 48  | XX-H00347    | FILTER DRIER (D25 X 167-D)               | 1   |
| 17  | X12533040010   | CASTER SWIVEL 3" W/O BRAKE                | 2   | 49  | X15818180013 | DRAIN TUBE - INTERIOR                    | 1   |
| 18  | X12533040015   | CASTER SWIVEL 3" W/BRAKE                  | 2   | 50  | X16369330055 | DRAIN TUBE INNER CONNECTOR               | 1   |
| 19  | XGM001226      | REAR GRILL                                | 1*  | 51  | X16303011224 | UPPER/LOWER CABINET FRAME                | 2   |
| 20  | X16351170004   | WATERPROOF COVER FOR THERMOSTAT           | 1   | 52  | X16410070001 | RUBBER LIMITED BLOCK                     | 2   |
| 21  | X2199001227    | FRONT GRILL                               | 1   | 53  | X16402020047 | SEAL STRIP                               | 2   |
| 22  | X16311010545   | SHELF TAG                                 | 8   | 54  | X16303031360 | LEFT/RIGHT CABINET FRAME                 | 2   |
| 23  | X5302000003    | K CLIP                                    | 32  | 55  | X14201711446 | DOOR GLASS RIGHT (50.8" X 25.2")         | 1   |
| 24  | XRI0005        | K STRIP                                   | 8   | 56  | X12533090003 | LARGE WHEEL FOR DOOR                     | 2   |
| 25  | X12502010134   | SHELF (24.25" X 23.6")                    | 8   | 57  | X12533090004 | SMALLER WHEEL FOR DOOR                   | 2   |
| 26  | X16317231310   | PLASTIC PANEL (51.57" X 9.25" X .078")    | 1   | 58  | X2199001234  | DOOR TRACK                               | 2   |
| 27  | X12901241319   | LIGHT BOX (51.9" X 9.5")                  | 1   | 59  | X16337030002 | DOOR HANDLE                              | 2   |
| 28  | X17740410071   | LED LIGHT W/SOCKET 47.25" (12VDC/7.2W)    | 1   | 60  | N/A          | AIR PIPE COVER PANEL                     | 1*  |
| 29  | X17740410075   | LED LIGHT 42.25" (12VDC/7.5W)             | 1   | 61  | XRI0054      | POWER CORD, NEMA 5-15P (14 AWG, 8' LONG) | 1   |
| 30  | XRI0090        | CONDENSER DRAIN PAN (12.5" X 4.3" X 1.6") | 1   | 62  | N/A          | GRILL BRACKET                            | 2*  |
| 31  | N/A            | LEFT CHANEL FOR CONDENSER PANEL           | 1*  | 63  | XRI0024      | DRAIN TUBE - EXTERIOR                    | 1   |
| 32  | N/A            | COMPRESSOR UNIT INSTALLATION BOARD        | 1*  | 64  | X16369260001 | DRAIN PIPE COVER                         | 1   |
| 33  | N/A            | CABINET                                   | 1   | 65  | X15810020900 | PLASTIC DRAIN PIPE                       | 1   |

# MODEL EGMDR78X

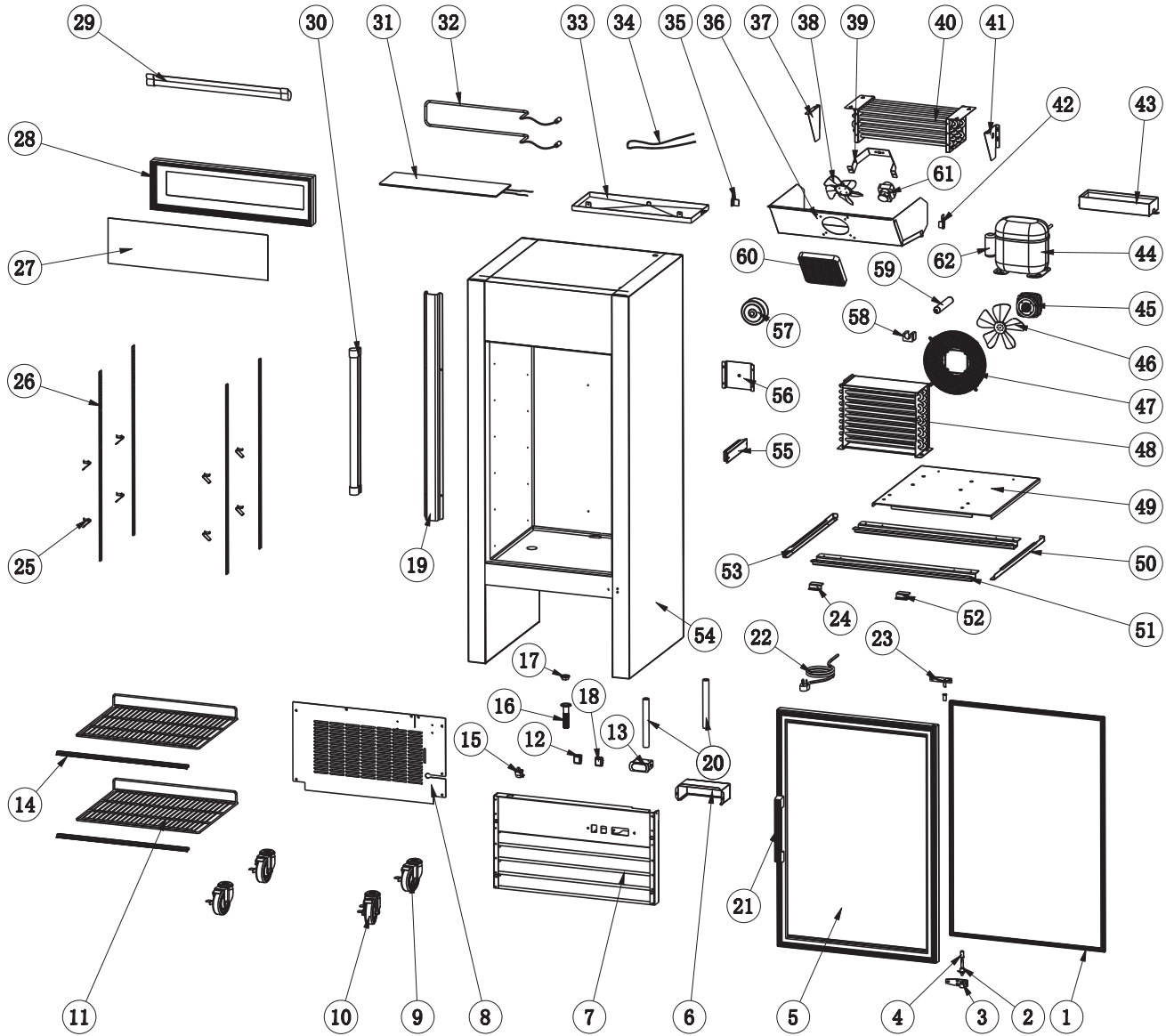


## MODEL EGMDR78X

| NO. | Part #         | Description                                    | QTY |
|-----|----------------|--|-----|
| 1   | X16381738012   | EVAPORATOR FAN MOTOR BLADE                     | 4   |
| 2   | X22752520015   | FAN MOTOR                                      | 4   |
| 3   | X12517060308   | HINGE BOTTOM RIGHT                             | 3   |
| 4   | X12517210001   | HINGE BOTTOM LEFT                              | 1   |
| 5   | X5302000003    | K CLIP   | 48  |
| 6   | XRI0005        | K STRIP  | 12  |
| 7   | XX-HC0005      | COMPRESSOR (NEU6214U/115VAC/60Hz/R290))        | 1   |
| 7   | XX-STARTKITHC4 | START KIT FOR NEU6214U                         | *   |
| 8   | X16369260001   | DRAIN PIPE COVER                               | 1   |
| 9   | X12515030004   | HINGE BOTTOM AXIS                              | 3   |
| 10  | X12502135865   | SHELF MIDDLE (25.8" X 23")                     | 4   |
| 11  | X2199001239    | INNER DRAIN PAN                                | 1   |
| 12  | X17304100262   | CONDENSER(4R11K400L)                           | 1   |
| 13  | X22752520022   | CONDENSER FAN MOTOR(ECM7120 115VAC, 60HZ, 20W) | 1   |
| 14  | XRI0017        | CONDENSER FAN MOTOR BLADE                      | 1   |
| 15  | XRI010004      | FAN MOTOR GUARD/COVER                          | 1   |
| 16  | XX-SCB316      | CASTER SWIVEL 4" W/BRAKE                       | 3   |
| 17  | N/A            | CABINET  | 1   |
| 18  | X12517210002   | HINGE UPPER RIGHT                              | 2   |
| 19  | XGM125859      | SHELF (23.2" X 23.03")                         | 4   |
| 20  | XX-SC0317      | CASTER SWIVEL 4" W/O BRAKE                     | 3   |
| 21  | XGM001240      | REAR GRILL                                     | 1*  |
| 22  | N/A            | AIR PIPE COVER PANEL                           | 1   |
| 23  | X16353010017   | AXIS COVER                                     | 6   |
| 24  | X16316130007   | DRAIN PAN OUTER (19.7" X 6.75" X 3")           | 1   |
| 25  | N/A            | CONDENSER PULL OUT HANDLE                      | 2*  |
| 26  | N/A            | CONDENSER MOUNTING PANEL                       | 1*  |
| 27  | N/A            | RIGHT TRACK FOR CONDENSER PANEL                | 1*  |
| 28  | N/A            | LEFT CHANEL FOR CONDENSER PANEL                | 1*  |
| 29  | N/A            | CONDENSER PULL OUT HANDLE                      | 2*  |
| 30  | N/A            | HANDLE FOR CONDENSING TRAY                     | 1   |
| 30  | X2199001086    | HANDLE FOR INSTALLATION BOARD                  | 1*  |
| 31  | X12517210001   | HINGE UPPER LEFT                               | 1   |
| 32  | XGM125859      | SHELF (23.2" X 23.03")                         | 4   |
| *   |                | NON STOCKING PART                              | *   |

| NO. | Part #       | Description   | QTY |
|-----|--------------|---|-----|
| 33  | X14201641364 | DOOR GLASS LEFT (53.5" X 25.4") - SIVER FINISH *OPTIONAL*   | *1* |
| 33  | XGM010288    | DOOR GLASS LEFT (53.5" X 25.4") - BLACK FINISH STANDARD     | 1   |
| 34  | X15810020900 | PLASTIC DRAIN PIPE  | 1   |
| 35  | N/A          | SUPPORTING CHANEL (NOT SHOWN)                               | 2*  |
| 36  | N/A          | CASTER MOUNTING CHANEL RIGHT                                | 1*  |
| 37  | N/A          | CASTER MOUNTING CHANEL LEFT                                 | 1*  |
| 38  | XGM180005    | THERMOSTAT  | 1   |
| 39  | N/A          | BRACKET FOR INNER LED LIGHT                                 | 8*  |
| 40  | X17740410074 | LED LIGHT W/SOCKET 39.4" (12VCD/6W)                         | 2   |
| 41  | X17749180002 | LED LIGHT SWITCH  | 1   |
| 42  | X17740410071 | LED LIGHT W/SOCKET 47.25" (12VDC/7.2W)                      | 4   |
| 43  | XGM231986    | LIGHT BOX FRAME (78" X 9.25")                               | 1   |
| 44  | X16317221981 | PLASTIC PANEL (77.95" X 9.06" X .078")                      | 1   |
| 45  | X12526260024 | GLASS DOOR HANDLE   | 2   |
| 46  | N/A          | INSTALLATION MOUNTING PANEL                                 | 1*  |
| 47  | X2199001182  | WATERPROOF COVER FOR THERMOSTAT                             | 1   |
| 48  | XRI0056      | POWER SWITCH (RED)  | 1   |
| 49  | X2199001246  | FRONT GRILL   | 1   |
| 50  | N/A          | CASTER MOUNTING CHANEL                                      | 2*  |
| 51  | X17405071050 | EVAPORATOR COIL   | 1   |
| 52  | XRI0024      | DRAIN TUBE - EXTERIOR                                       | 2   |
| 53  | XX-H00341    | FILTER  | 1   |
| 54  | N/A          | FILTER BRACKET  | 1*  |
| 54  | X300012      | CAP TUBE .047" I.D. X 118" L                                | 1   |
| 55  | X22753530010 | LED POWER SUPPLY  | 2   |
| 56  | XGM000019    | GASKET GLASS DOOR (52.36" X 24.25")                         | 3   |
| 57  | X17749020001 | DOOR SWITCH   | 3   |
| 58  | X2199001248  | EVAPORATOR COVER  | 1*  |
| 59  | N/A          | FAN MOTOR BRACKET   | 4*  |
| 60  | N/A          | RIGHT END PLATE FOR EVAPORATOR                              | 1*  |
| 61  | N/A          | LEFT BAFFLE FOR EVAP. FAN MOTOR                             | 1*  |
| 62  | X12504050002 | EVAPORATOR FAN COVER  | 4   |
| 63  | X14201641363 | DOOR GLASS RIGHT (53.5" X 25.4") - SILVER FINISH *OPTIONAL* | *2* |
| 63  | XGM010289    | DOOR GLASS RIGHT (53.5" X 25.4") - BLACK FINISH STANDARD    | 2   |

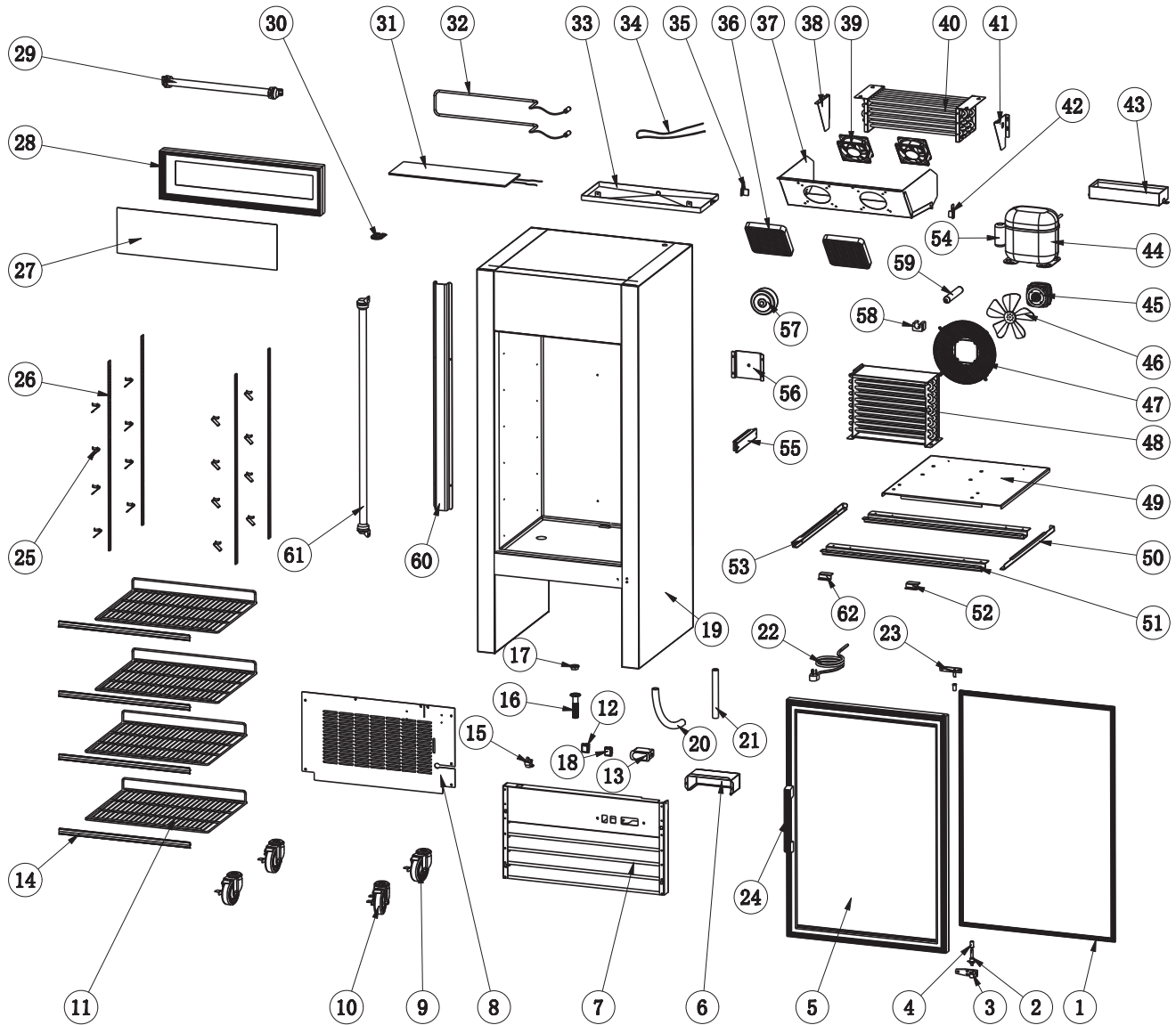
# MODEL EGMF26X



## MODEL EGMF26X

| NO. | Part #       | Description                              | QTY | NO. | Part #         | Description                             | QTY |
|-----|--------------|--|-----|-----|----------------|---|-----|
| 1   | XGM000238    | GASKET GLASS DOOR (34.5" X 25.2")        | 1   | 33  | XGM001253      | EVAPORATOR DRAIN PAN                    | 1   |
| 2   | X12515030004 | HINGE BOTTOM AXIS                        | 1   | 34  | XRI0210        | DRAIN HOSE HEATER (19" - 10W, 115VAC)   | 1   |
| 3   | X12517070041 | HINGE, BOTTOM RIGHT                      | 1   | 35  | N/A            | LEFT BRACKET FOR EVAPORATOR COVER       | 1*  |
| 4   | X16353010017 | AXIS COVER                               | 2   | 36  | XGM001254      | EVAPORATOR COVER                        | 1*  |
| 5   | XGDMF00026   | DOOR GLASS (38.2" X 26.378")             | 1   | 37  | N/A            | LEFT END PLATE FOR EVAPORATOR           | 1*  |
| 6   | X2199001182  | WATERPROOF COVER FOR THERMOSTAT          | 1   | 38  | X16381738012   | EVAPORATOR FAN MOTOR BLADE              | 1   |
| 7   | X2199001249  | FRONT GRILL                              | 1   | 39  | N/A            | FAN MOTOR BRACKET                       | 1*  |
| 8   | XGM001250    | REAR GRILL                               | 1*  | 40  | XGM060400      | EVAPORATOR COIL                         | 1   |
| 9   | X12533040010 | CASTER SWIVEL 3" W/O BRAKE               | 2   | 41  | N/A            | RIGHT END PLATE FOR EVAPORATOR          | 1*  |
| 10  | X12533040015 | CASTER SWIVEL 3" W/BRAKE                 | 2   | 42  | N/A            | RIGHT BRACKET FOR EVAPORATOR COVER      | 1*  |
| 11  | X12502114553 | SHELF (20.8" X 17.7")                    | 2   | 43  | X16316130008   | DRAIN PAN OUTER (7.6" X 6.75" X 3")     | 1   |
| 12  | XRI0056      | POWER SWITCH (RED)                       | 1   | 44  | XX-HC0003      | COMPRESSOR (EM2X3125U/110VAC/60HZ/R290) | 1   |
| 13  | XRI0059      | THERMOSTAT (DIXELL XR06CX)               | 1   | 44  | SEE #62        | START KIT FOR EM2X3125U                 | +   |
| 14  | X16311010470 | SHELF TAG                                | 2   | 45  | X22752520004   | FAN MOTOR                               | 1   |
| 15  | XRI0300      | DOOR SWITCH                              | 1   | 46  | XEFMB023       | CONDENSER FAN BLADE                     | 1   |
| 16  | X15810020900 | PLASTIC DRAIN PIPE                       | 1   | 47  | XRI010002      | FAN MOTOR GUARD/COVER                   | 1   |
| 17  | X16369260001 | DRAIN PIPE COVER                         | 1   | 48  | X17303080250   | CONDENSER COIL                          | 1   |
| 18  | X17749180002 | LED LIGHT SWITCH                         | 1   | 49  | N/A            | COMPRESSOR INSTALLATION BOARD           | 1*  |
| 19  | N/A          | AIR PIPE COVER PANEL                     | 1*  | 50  | N/A            | RIGHT TRACK FOR CONDENSER PANEL         | 1*  |
| 20  | XRI0024      | DRAIN TUBE - EXTERIOR                    | 2   | 51  | N/A            | CASTER MOUNTING CHANNEL                 | 2*  |
| 21  | X12526260024 | GLASS DOOR HANDLE                        | 1   | 52  | N/A            | CONDENSER PULL OUT HANDLE               | 2*  |
| 22  | XRI0054      | POWER CORD, NEMA 5-15P (14 AWG, 8' LONG) | 1   | 53  | N/A            | LEFT TRACK FOR CONDENSER PANEL          | 1*  |
| 23  | X12517210002 | HINGE UPPER RIGHT                        | 1   | 54  | N/A            | CABINET                                 | 1   |
| 24  | N/A          | HANDLE FOR CONDENSING TRAY               | 1   | 55  | X22753530009   | LED POWER SUPPLY                        | 1   |
| 25  | X5302000003  | K CLIP                                   | 8   | 56  | N/A            | INSTALLATION MOUNTING PANEL             | 1*  |
| 26  | XGM001252    | K STRIP                                  | 8*  | 57  | X22753530021   | TRANSFORMER GLASS DOOR HEATER           | 1   |
| 27  | XGM120675    | PLASTIC PANEL (26.57" X 4.72" X .078")   | 1   | 58  | XX-H00346      | FILTER BRACKET                          | 1*  |
| 28  | XGM120678    | LIGHT BOX FRAME (26.7" X 5")             | 1   | 59  | XX-H00341      | FILTER DRIER (F25X160-B)                | 1   |
| 29  | XLED410069   | LED LIGHT W/SOCKET 23.6" (12VDC/3.2W)    | 2   | 59  | X240009        | CAP TUBE .035" I.D. X 94.5" L           | 1   |
| 30  | XGM410072    | LED LIGHT W/SOCKET 19.7" (12VDC/3.2W)    | 1   | 60  | X12504050002   | EVAPORATOR FAN COVER                    | 1   |
| 31  | XRI0250      | DRAIN PAN HEATER (18.5" X 7" - 50W)      | 1   | 61  | X22752520015   | FAN MOTOR                               | 1   |
| 32  | XGM120420    | DEFROST HEATER (16.5" X 3" 500W 115VAC)  | 1   | 62  | XX-STARTKITHC2 | START KIT FOR EM2X3125U                 | +   |

# MODEL EGMF27X

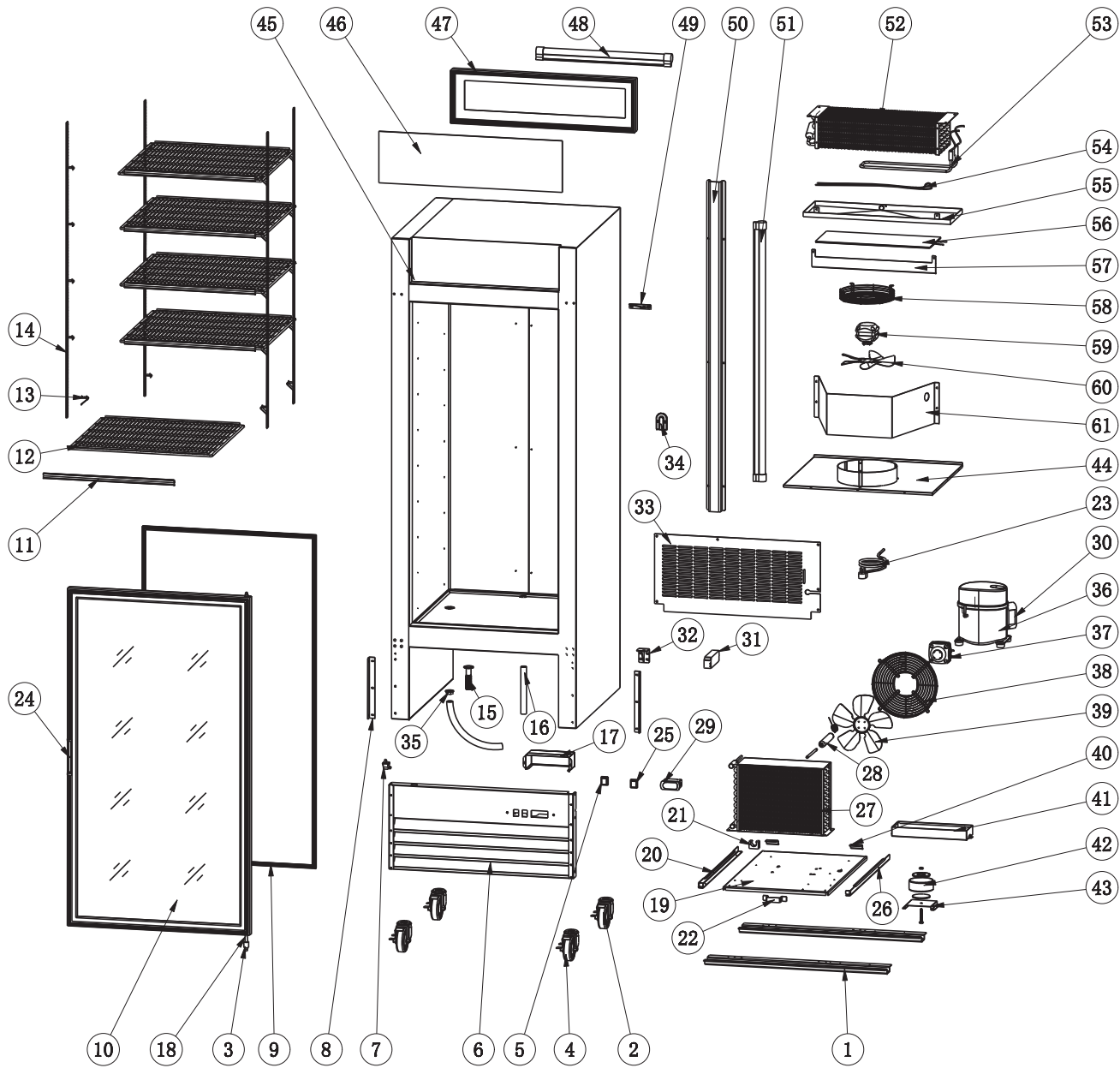


## MODEL EGMF27X

| NO. | Part #       | Description   | QTY |
|-----|--------------|---|-----|
| 1   | XGM000369    | GASKET GLASS DOOR (52.4" X 25.6")                   | 1   |
| 2   | X12517070041 | HINGE, BOTTOM RIGHT                                 | 1   |
| 3   | X12515030004 | HINGE BOTTOM AXIS                                   | 1   |
| 4   | X16353010017 | AXIS COVER  | 2   |
| 5   | XGDMF00027   | DOOR GLASS (35.7" X 26.8") SILVER FINISH *OPTIONAL* | *1* |
| 5   | XGM040033    | DOOR GLASS (35.7" X 26.8") BLACK FINISH STANDARD    | 1   |
| 6   | X2199001182  | WATERPROOF COVER FOR THERMOSTAT                     | 1   |
| 7   | X2199001256  | FRONT GRILLE  | 1   |
| 8   | XGM001184    | REAR GRILL  | 1*  |
| 9   | X12533040010 | CASTER SWIVEL 3" W/O BRAKE                          | 2   |
| 10  | X12533040015 | CASTER SWIVEL 3" W/BRAKE                            | 2   |
| 11  | X12502012842 | SHELF (20.5" X 17.3")                               | 4   |
| 12  | XRI0056      | POWER SWITCH (RED)                                  | 1   |
| 13  | XRI0059      | THERMOSTAT (DIXELL XR06CX)                          | 1   |
| 14  | X16311010470 | SHELF TAG   | 4   |
| 15  | XRI0300      | DOOR SWITCH   | 1   |
| 16  | X15810020900 | PLASTIC DRAIN PIPE                                  | 1   |
| 17  | X16369260001 | DRAIN PIPE COVER                                    | 1   |
| 18  | X17749180002 | LED LIGHT SWITCH                                    | 1   |
| 19  | N/A          | CABINET   | 1   |
| 20  | XRI0024      | DRAIN TUBE - EXTERIOR                               | 1   |
| 21  | XRI0024      | DRAIN TUBE - EXTERIOR                               | 1   |
| 22  | XRI0054      | POWER CORD, NEMA 5-15P (14 AWG, 8'LONG)             | 1   |
| 23  | X12517210002 | HINGE UPPER RIGHT                                   | 1   |
| 24  | N/A          | HANDLE FOR CONDENSING TRAY                          | 1   |
| 25  | X5302000003  | K CLIP  | 16  |
| 26  | XRI0005      | K STRIP   | 8   |
| 27  | XGM230684    | PLASTIC PANEL (26.89" X 9.06" X .078")              | 1   |
| 28  | XGM230688    | LIGHT BOX FRAME (27" X 9.25")                       | 1   |
| 29  | XGM410033    | CABINET LED LIGHT                                   | 2   |
| 30  | N/A          | PROBE BRACKET                                       | 1*  |
| 31  | XRI0250      | DRAIN PAN HEATER (18.5" X 7" - 50W)                 | 1   |
| 32  | XRI0021      | DEFROST HEATER (15.75" X 1.6" - 360W)               | 1   |

| NO. | Part #         | Description                            | QTY |
|-----|----------------|--|-----|
| 33  | XGM001187      | EVAPORATOR DRAIN PAN                   | 1   |
| 34  | XRI0210        | DRAIN HOSE HEATER (19" - 10W, 115VAC)  | 1   |
| 35  | N/A            | LEFT BRACKET FOR EVAPORATOR COVER      | 1*  |
| 36  | X12504050002   | EVAPORATOR FAN COVER                   | 2   |
| 37  | XGM001189      | EVAPORATOR COVER                       | 1   |
| 38  | N/A            | LEFT END PLATE FOR EVAPORATOR          | 1*  |
| 39  | X1003001114715 | FAN MOTOR                              | 2   |
| 40  | XGM070375      | EVAPORATOR COIL                        | 1   |
| 41  | N/A            | RIGHT END PLATE FOR EVAPORATOR         | 1*  |
| 42  | N/A            | RIGHT BRACKET FOR EVAPORATOR COVER     | 1*  |
| 43  | X16316130008   | DRAIN PAN OUTER (7.6" X 6.75" X 3")    | 1   |
| 44  | XX-HC0017      | COMPRESSOR (NEU2168U/115VAC/60HZ/R290) | 1   |
| 44  | XX-HC0017K     | START KIT FOR NEU2168U                 | +   |
| 45  | X22752520006   | FAN MOTOR                              | 1   |
| 46  | X16381738052   | CONDENSER FAN BLADE                    | 1   |
| 47  | XRI0122        | FAN MOTOR GUARD/COVER                  | 1   |
| 48  | X17303080202   | CONDENSER COIL                         | 1   |
| 49  | N/A            | COMPRESSOR INSTALLTION BOARD           | 1*  |
| 50  | N/A            | RIGHT TRACK FOR CONDENSER PANEL        | 1*  |
| 51  | N/A            | CASTTER SUPPORT CHANEL                 | 2*  |
| 52  | N/A            | CONDENSER PULL OUT HANDLE              | 2*  |
| 53  | N/A            | LEFT TRACK FOR CONDENSER PANEL         | 1*  |
| 54  | SEE #44        | START KIT                              | +   |
| 55  | X22753530009   | LED POWER SUPPLY                       | 1   |
| 56  | N/A            | INSTALLATION MOUNTING PANEL            | 1*  |
| 57  | X22753530021   | TRANSFORMER GLASS DOOR HEATER          | 1   |
| 58  | XX-H00346      | FILTER BRACKET                         | 1*  |
| 59  | XX-H00341      | FILTER DRIER (F25X160-B)               | 1   |
| 59  | X240012        | CAP TUBE .047" I.D. X 134" L           | 1   |
| 60  | N/A            | AIR PIPE COVER PANEL                   | 1   |
| 61  | SLED410038     | LED LIGHT (47.25")                     | 1   |
| 62  | X12526260024   | GLASS DOOR HANDLE                      | 1   |
| *   |                | NON STOCKING PART                      | *   |

# MODEL EGMF31X



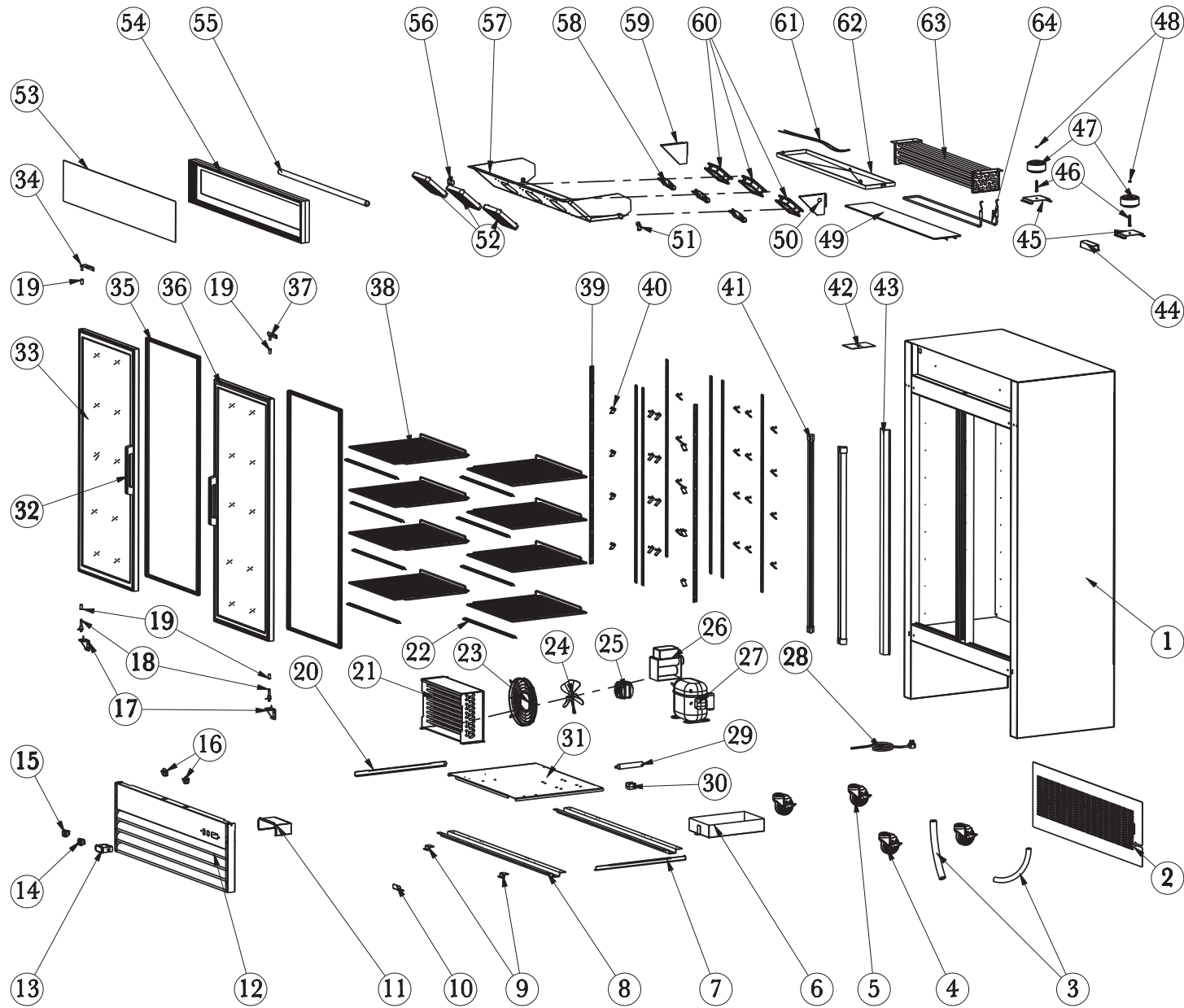
## MODEL EGMF31X

| NO. | Part #       | Description   | QTY |
|-----|--------------|---|-----|
| 1   | N/A          | CASTTER SUPPORT CHANEL                              | 2*  |
| 2   | X12533040010 | CASTER SWIVEL 3" W/O BRAKE                          | 2   |
| 3   | X12515030004 | HINGE BOTTOM AXIS                                   | 1   |
| 4   | X12533040015 | CASTER SWIVEL 3" W/BRAKE                            | 2   |
| 5   | X17749180002 | LED LIGHT SWITCH                                    | 1   |
| 6   | X2199001259  | FRONT GRILLE  | 1   |
| 7   | XRI0300      | DOOR SWITCH   | 1   |
| 8   | N/A          | MOUNTING BRACKET FOR FRONT GRILLE                   | 2*  |
| 9   | X16401781440 | GASKET GLASS DOOR (55.5" X 29.52")                  | 1   |
| 10  | XGDMF00031   | DOOR GLASS (56.7" X 30.7") SILVER FINISH *OPTIONAL* | *1* |
| 10  | XGM040041    | DOOR GLASS (56.7" X 30.7") BLACK FINISH STANDARD    | 1   |
| 11  | X16311010580 | SHELF TAG   | 5   |
| 12  | X12502115961 | SHELF (24.3" X 23.2")                               | 5   |
| 13  | X5302000003  | K CLIP  | 20  |
| 14  | XRI0005      | K STRIP   | 4   |
| 15  | XRI0024      | DRAIN TUBE - EXTERIOR                               | 1   |
| 16  | XRI0024      | DRAIN TUBE - EXTERIOR                               | 2   |
| 17  | X2199001182  | WATERPROOF COVER FOR THERMOSTAT                     | 1   |
| 18  | X16353010017 | AXIS COVER  | 2   |
| 19  | N/A          | COMPRESSOR INSTALLATION BOARD                       | 1*  |
| 20  | N/A          | LEFT TRACK FOR CONDENSER PANEL                      | 1*  |
| 21  | XX-H00346    | FILTER BRACKET                                      | 1*  |
| 22  | N/A          | HANDLE FOR CONDENSING TRAY                          | 1   |
| 23  | XRI0054      | POWER CORD, NEMA 5-15P (14 AWG, 8"LONG)             | 1   |
| 24  | X12526260024 | GLASS DOOR HANDER                                   | 1   |
| 25  | XRI0056      | POWER SWITCH (RED)                                  | 1   |
| 26  | N/A          | RIGHT TRACK FOR CONDENSER PANEL                     | 1*  |
| 27  | XGM110350    | CONDENSER COIL                                      | 1   |
| 28  | XX-H00341    | FILTER DRIER (F25X160-B)                            | 1   |
| 28  | X280012      | CAP TUBE .047" I.D. X 110.25" L                     | 1   |
| 29  | XRI0059      | THERMOSTAT (DIXELL XR06CX)                          | 1   |
| *   |              | NON STOCKING PART                                   |     |

| NO. | Part #       | Description                                    | QTY |
|-----|--------------|--|-----|
| 30  | XX-HC0017K   | START KIT FOR NEU2168U                         | 1   |
| 31  | X22753530009 | LED POWER SUPPLY                               | 1   |
| 32  | X12517070041 | HINGE, BOTTOM RIGHT                            | 1   |
| 33  | XGM001206    | REAR GRILL                                     | 1*  |
| 34  | N/A          | PROBE BRACKET                                  | 1*  |
| 35  | X16369260001 | DRAIN PIPE COVER                               | 1   |
| 36  | XX-HC0017    | COMPRESSOR (NEU2168U/115VAC/60HX/R290)         | 1   |
| 37  | X22752520022 | CONDENSER FAN MOTOR(ECM7120 115VAC, 60HZ, 20W) | 1   |
| 38  | XRI010004    | FAN MOTOR GUARD/COVER                          | 1   |
| 39  | XRI0017      | CONDENSER FAN MOTOR BLADE                      | 1   |
| 40  | N/A          | CONDENSER PULL OUT HANDLE                      | 2*  |
| 41  | XRI0090      | CONDENSER DRAIN PAN (12.5" X 4.3" X 1.6")      | 1   |
| 42  | X22753530021 | TRANSFORMER GLASS DOOR                         | 1   |
| 43  | N/A          | INSTALLATION MOUNTING PANEL                    | 1*  |
| 44  | N/A          | EVAPORATOR COVER                               | 1*  |
| 45  | N/A          | CABINET  | 1   |
| 46  | XGM220782    | PLASTIC PANEL (30.83" X 8.66" X .078")         | 1   |
| 47  | XGM220788    | LIGHT BOX FRAME                                | 1   |
| 48  | X17740410073 | LED LIGHT W/SOCKET 23.6" (12VDC/3.2W)          | 1   |
| 49  | X12517210002 | HINGE UPPER RIGHT                              | 1   |
| 50  | N/A          | AIR PIPE COVER PANEL                           | 1*  |
| 51  | X17740410071 | LED LIGHT W/SOCKET 47.25" (12VDC/7.2W)         | 1   |
| 52  | XGM060500    | EVAPORATOR COIL                                | 1   |
| 53  | XGM230038    | DEFROST HEATER (21" X 2" 500W 115VAC)          | 1   |
| 54  | XRI0210      | DRAIN HOSE HEATER (19" - 10W, 115VAC)          | 1   |
| 55  | XGM001263    | EVAPORATOR DRAIN PAN                           | 1   |
| 56  | XRI0251      | DRAIN PAN HEATER (23.6" X 7.9" - 35W)          | 1   |
| 57  | N/A          | EVAPORATOR BAFFLE                              | 1*  |
| 58  | X12504050002 | EVAPORATOR FAN COVER                           | 1   |
| 59  | X22752520007 | FAN MOTOR                                      | 1   |
| 60  | X16381738122 | CONDENSER FAN BLADE                            | 1   |
| 61  | N/A          | FAN MOTOR AIR BAFFLE                           | 1*  |

\*XGM010360 - Glass Door (Left Swing) Black finish

# MODEL EGMF53X



## MODEL EGMF53X

| NO. | Part #         | Description                                    | QTY |
|-----|----------------|--|-----|
| 1   | N/A            | CABINET  | 1   |
| 2   | XGM001226      | REAR GRILL                                     | 1*  |
| 3   | XRI0024        | DRAIN TUBE - EXTERIOR                          | 2   |
| 4   | X12533040010   | CASTER SWIVEL 3" W/O BRAKE                     | 2   |
| 5   | X12533040015   | CASTER SWIVEL 3" W/BRAKE                       | 2   |
| 6   | X16316130007   | DRAIN PAN OUTER (19.7" X 6.75" X 3")           | 1   |
| 7   | N/A            | RIGHT TRACK FOR CONDENSER PANEL                | 1*  |
| 8   | N/A            | CASTER MOUNTING CHANEL                         | 2*  |
| 9   | N/A            | CONDENSER PULL OUT HANDLE                      | 1*  |
| 10  | N/A            | HANDLE FOR CONDENSING TRAY                     | 4   |
| 11  | X16351170004   | WATERPROOF COVER FOR THERMOSTAT                | 2   |
| 12  | X2199001271    | FRONT GRILLE                                   | 1   |
| 13  | XRI0059        | THERMOSTAT (DIXELL XR06CX)                     | 1   |
| 14  | X17749180002   | LED LIGHT SWITCH                               | 1   |
| 15  | XRI0056        | POWER SWITCH (RED)                             | 1   |
| 16  | XRI0300        | DOOR SWITCH                                    | 2   |
| 17  | XGM070041      | HINGE BOTTOM RIGHT                             | 2   |
| 17  | XGM070040      | HINGE BOTTOM LEFT                              |     |
| 18  | X12515030004   | HINGE BOTTOM AXIS                              | 2   |
| 19  | X16353010017   | AXIS COVER                                     | 4   |
| 20  | N/A            | LEFT CHANEL FOR CONDENSER PANEL                | 1*  |
| 21  | XSBC07036      | CONDENSER COIL                                 | 1   |
| 22  | X16311010470   | SHELF TAG                                      | 8   |
| 23  | XRI0122        | FAN MOTOR GUARD/COVER                          | 1   |
| 24  | X16381738122   | CONDENSER FAN BLADE                            | 1   |
| 25  | X22752520022   | CONDENSER FAN MOTOR(ECM7120 115VAC, 60HZ, 20W) | 1   |
| 26  | XX-STARTKITHC3 | START KIT FOR NT2180UV                         | 1   |
| 27  | XX-HC0006      | COMPRESSOR (NT2180UV/115V/60HZ/R290)           | 1   |
| 28  | XRI0051        | POWER CORD, NEMA 5-20P (12AWG 8'L)             | 1   |
| 29  | XX-H00341      | FILTER DRIER (F25X160-B)                       | 1   |
| 30  | XX-H00346      | FILTER BRACKET                                 | 1*  |
| 30  | X350014        | CAP TUBE .055" I.D. X 138" L                   | 1   |
| 31  | N/A            | COMPRESSOR INSTALLATION BOARD                  | 1*  |
| 32  | X12526260024   | GLASS DOOR HANDLE                              | 2   |
| *   |                | NON STOCKING PART                              |     |

| NO. | Part #       | Description  | QTY |
|-----|--------------|--|-----|
| 33  | XGDMF00053L  | DOOR GLASS LEFT (53.54" X 25.9") SILVER FINISH *OPTIONAL*  | *1* |
| 33  | XGM040035    | DOOR GLASS LEFT (53.54" X 25.9") BLACK FINISH STANDARD     | 1   |
| 34  | X12517210001 | HINGE UPPER LEFT   | 1   |
| 35  | XGM000021    | GASKET GLASS DOOR (52.4" X 24.7")                          | 2   |
| 36  | XGDMF00053R  | DOOR GLASS RIGHT (53.54" X 25.9") SILVER FINISH *OPTIONAL* | *1* |
| 36  | XGM040034    | DOOR GLASS RIGHT (53.54" X 25.9") BLACK FINISH STANDARD    | 1   |
| 37  | X12517210002 | HINGE UPPER RIGHT  | 1   |
| 38  | X12502012858 | SHELF (23.25" X 24.4")                                     | 8   |
| 39  | XRI0005      | K STRIP  | 8   |
| 40  | X5302000003  | K CLIP   | 32  |
| 41  | X17740410071 | LED LIGHT W/SOCKET 47.25" (12VDC/7.2W)                     | 2   |
| 42  | N/A          | POWER CORD COVER   | 1*  |
| 43  | N/A          | AIR PIPE COVER PANEL                                       | 1*  |
| 44  | X22753530010 | LED POWER SUPPLY   | 1   |
| 45  | N/A          | INSTALLATION MOUNTING PANEL                                | 2*  |
| 46  | N/A          | BOLT   | 2*  |
| 47  | X22753530021 | TRANSFORMER GLASS DOOR                                     | 2   |
| 48  | N/A          | NUT  | 2*  |
| 49  | XRI0252      | DRAIN PAN HEATER (39.4" X 7" - 75W)                        | 1   |
| 50  | N/A          | RIGHT END PLATE FOR EVAPORATOR                             | 1*  |
| 51  | N/A          | RIGHT BRACKET FOR EVAPORATOR COVER                         | 1*  |
| 52  | X12504050002 | EVAPORATOR FAN COVER                                       | 3   |
| 53  | X16317201343 | PLASTIC PANEL (52.87" X 7.99" X .078")                     | 1   |
| 54  | XGM201348    | LIGHT BOX FRAME (53" X 8.2")                               | 1   |
| 55  | X17740410075 | LED LIGHT 42.25" (12VDC/7.5W)                              | 1   |
| 56  | N/A          | LEFT BRACKET FOR EVAPORATOR COVER                          | 1*  |
| 57  | XGM001273    | EVAPORATOR COVER   | 1*  |
| 58  | X16381738012 | EVAPORATOR FAN MOTOR BLADE                                 | 3   |
| 59  | N/A          | LEFT END PLATE FOR EVAPORATOR                              | 1*  |
| 60  | X22752520015 | FAN MOTOR  | 3   |
| 61  | XRI0210      | DRAIN HOSE HEATER (19" - 10W, 115VAC)                      | 1   |
| 62  | XGM001274    | EVAPORATOR DRAIN PAN                                       | 1   |
| 63  | XGM070844    | EVAPORATOR COIL  | 1   |
| 64  | XGM120881    | DEFROST HEATER (34.7" X 3" 800W 115VAC)                    | 1   |
| *   |              | NON STOCKING PART  |     |



**MERCHANDISERS  
REFRIGERATORS & FREEZER  
PARTS LISTS**



**PHONE: 704-900-2068  
Website: [www.entree.biz](http://www.entree.biz)**

Revision # 20210907