



COMMERCIAL STANDARD DUTY GAS COUNTERTOP CHARBROILER

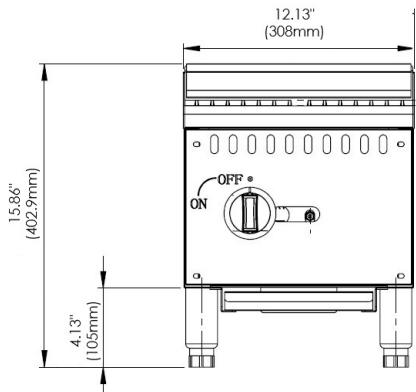
SBR-2426 SHOWN



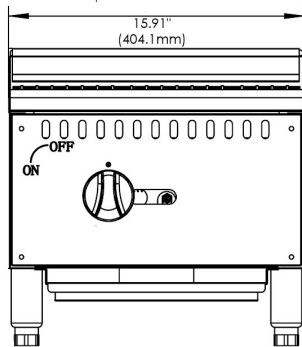
Features

- Key components have CSA/ETL certificate
- 4" adjustable stainless-steel legs (removed for packaging to prevent concealed damage and lower shipping costs.)
- Equipped with convertible appliance regulator (Maximum pressure 1/2 P.S.I.)
- Gas conversion kit shipped standard, to convert to appropriate incoming gas.
- Cast iron grill grates are reversible and height adjustable.
- 3" Side splash guards
- Full width crumb tray easily removed for cleaning.
- Infinite valve control
- 3/4" NPT Rear gas connection

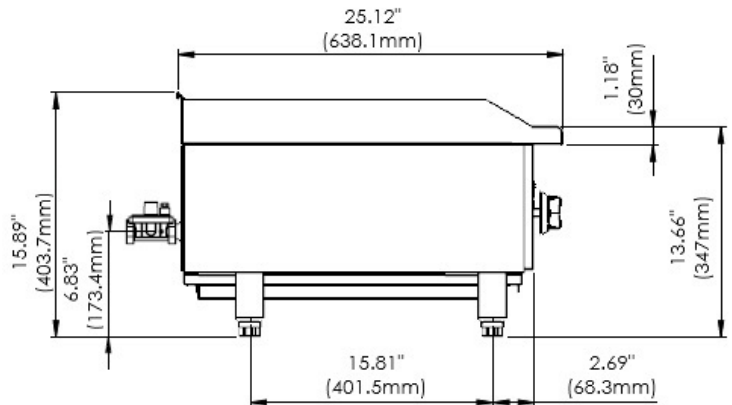
COMMERCIAL COOKING



SBR-1226



SBR-1626



Model	# of Burners	Total BTU's	Cooking Surface		Product Dimensions			Net Weight (lbs.)	Shipping Dimensions			Gross Weight (lbs.)
			Width	Depth	Width	Depth	Height		Width	Depth	Height	
SBR-1226	1	30,000	11.73"	18.31"	12.13"	26.05"	15.86"	58	15.98"	30.91"	19.69"	82
SBR-1626	1	30,000	15.59"	18.31"	15.91"	26.13"	15.95"	69	20.08"	30.91"	19.69"	97
SBR-2426	2	60,000	23.46"	18.31"	23.78"	26.13"	15.93"	96	28.74"	30.91"	19.69"	132
SBR-3626	3	90,000	35.20"	18.31"	35.59"	26.13"	15.95"	144	39.76"	30.91"	19.69"	190

Warranty: Solaris's exclusive 1 year parts and labor FUSS warranty takes effect on purchase date.

*Not suitable for installation in a non-commercial or residential applications.

Customer Service (704) 900-2068
 Email: solaris@entree.biz
 Website: www.entree.biz/solaris



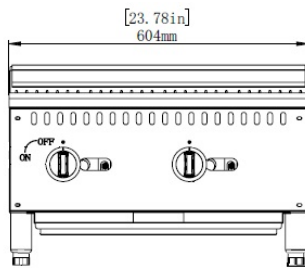


COMMERCIAL STANDARD DUTY GAS COUNTERTOP CHARBROILER

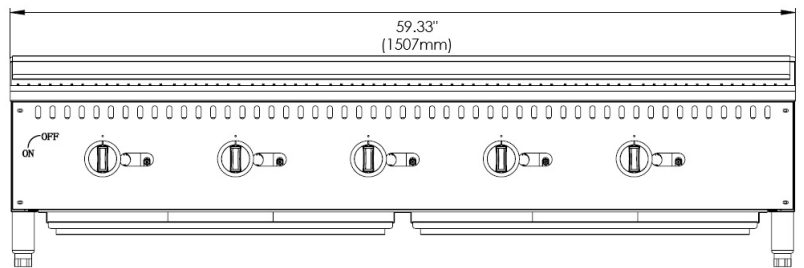
A convertible 3/4" NPT appliance pressure regulator is provided with this unit and set for:
 Natural Gas 4.0" W.C.
 Propane Gas 10.0" W.C.

Rear Gas Connections is 3/4" NPT
 Recommended incoming pressure:
 Natural Gas 5.0" W.C. with not more than a 1/2" W.C. pressure drop
 LP Gas 11.0" W.C. with not more than a 1/2" W.C. pressure drop

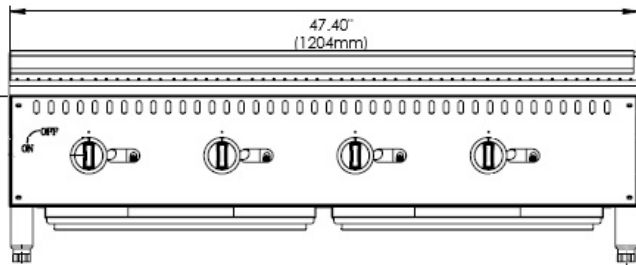
SBR-2426



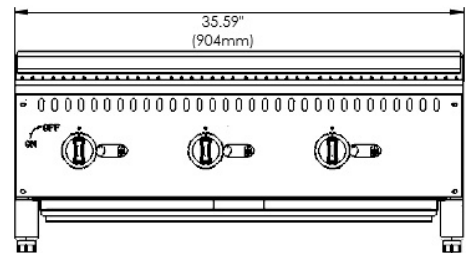
SBR-6026



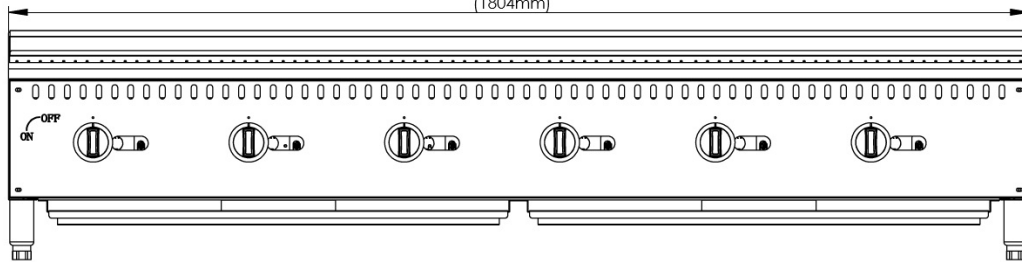
SBR-4826



SBR-3626



71.02" (1804mm)



SBR-7226

COMMERCIAL COOKING

Model	# of Burners	Total BTU's	Cooking Surface		Product Dimensions			Net Weight (lbs.)	Shipping Dimensions			Gross Weight (lbs.)
			Width	Depth	Width	Depth	Height		Width	Depth	Height	
SBR-4826	4	120,000	46.93"	18.31"	47.40"	26.20"	15.95"	199	51.57"	30.91"	19.69"	256
SBR-6026	5	150,000	58.66"	18.31"	59.33"	26.11"	15.89"	225	67.72"	30.91"	19.69"	296
SBR-7226	6	180,000	70.39"	18.31"	71.02"	26.11"	15.89"	273	75.79"	30.91"	19.69"	369

As continued product improvement is a policy of Solaris, specifications are subject to change without notice.

