



COMMERCIAL STANDARD DUTY GAS COUNTERTOP GRIDDLE

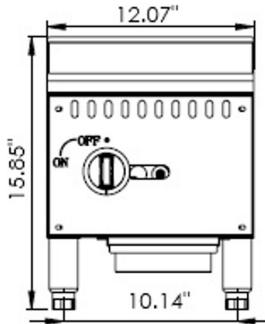
SGR-1226 SHOWN



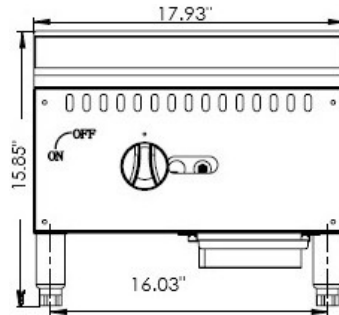
Features

- Key components have CSA/ETL certificate
- 4" adjustable stainless-steel legs (removed for packaging to prevent concealed damage and lower shipping costs.)
- Equipped with convertible appliance regulator (Maximum pressure 1/2 P.S.I.)
- Gas conversion kit shipped standard, to convert to appropriate incoming gas.
- 5/8" Thick steel plate on 12", 18", 24", & 36" models for quick recovery.
- 3/4" Thick Plate on 48", 60", & 72" models for even heating.
- 3" Side splash guards
- Grease container easily removed for cleaning.
- Infinite valve control

SGR-1226

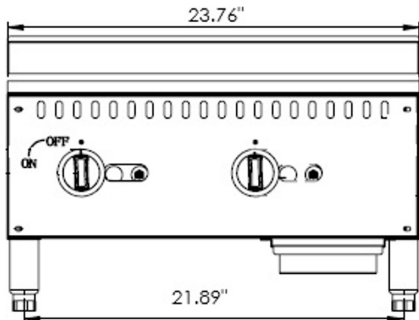


SGR-1826

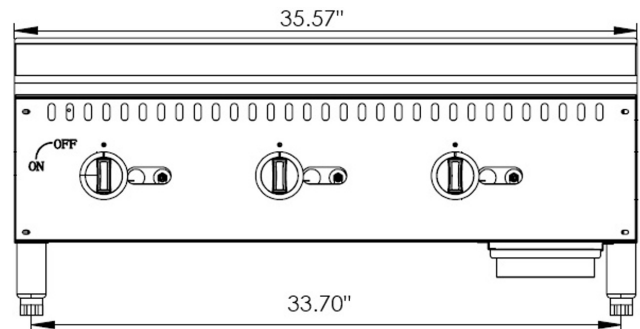


5/8" Thick Steel Plate!

SGR-2426



SGR-3626



Model	# of Burners	Total BTU's	Cooking Surface		Product Dimensions			Net Weight (lbs.)	Shipping Dimensions			Gross Weight (lbs.)
			Width	Depth	Width	Depth	Height		Width	Depth	Height	
SGR-1226	1	30,000	11.91"	18.98"	12.09"	26.15"	15.85"	75	16.14"	30.91"	19.69"	99
SGR-1826	1	30,000	17.78"	18.98"	17.97"	26.03"	15.92"	99	22.24"	30.91"	19.69"	130
SGR-2426	2	60,000	23.60"	18.98"	23.78"	26.03"	15.92"	126	28.74"	30.91"	19.69"	161
SGR-3626	3	90,000	35.41"	18.98"	36.00"	26.11"	15.92"	166	39.76"	30.91"	19.69"	212

Warranty: Solaris's exclusive 1 year parts and labor FUSS warranty takes effect from date of purchase.

***Not suitable for installation in a non-commercial or residential applications.**

Customer Service (704) 900-2068
Email: solaris@entree.biz
Website: www.entree.biz/solaris



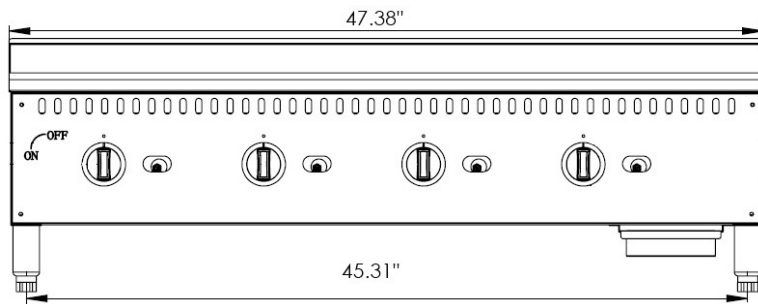
COMMERCIAL COOKING



COMMERCIAL STANDARD DUTY GAS COUNTERTOP GRIDDLE

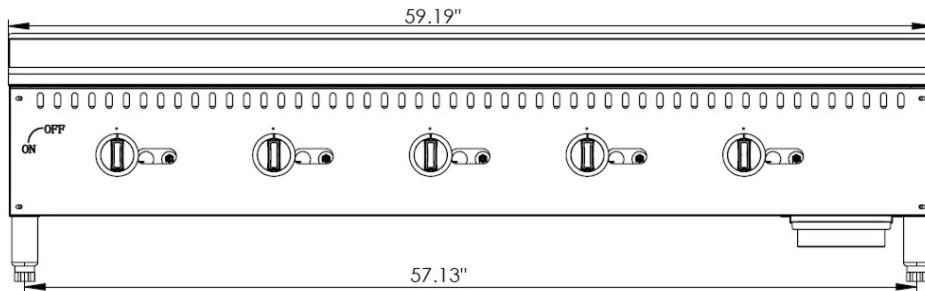
A convertible 3/4" NPT appliance pressure regulator is provided with this unit and set for:
Natural Gas 4.0" W.C.
Propane Gas 10.0" W.C.

Rear Gas Connections is 3/4" NPT
Recommended incoming pressure:
Natural Gas 5.0" W.C. with not more than a 1/2" W.C. pressure drop
LP Gas 11.0" W.C. with not more than a 1/2" W.C. pressure drop

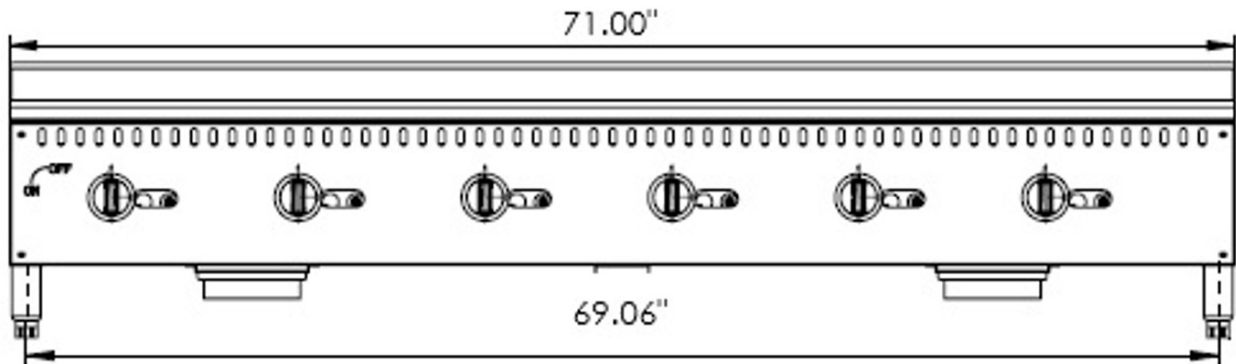


SGR-4826

3/4" Thick Steel Plate!



SGR-6026



SGR-7226

Model	# of Burners	Total BTU's	Cooking Surface		Product Dimensions			Net Weight (lbs.)	Shipping Dimensions			Gross Weight (lbs.)
			Width	Depth	Width	Depth	Height		Width	Depth	Height	
SGR-4826	4	120,000	47.22"	18.98"	47.40"	26.05"	15.96"	278	51.57"	30.91"	19.69"	342
SGR-6026	5	150,000	59.04"	18.98"	59.17"	26.13"	15.84"	334	64.57"	30.91"	19.69"	417
SGR-7226	6	180,000	70.85"	18.98"	70.98"	26.13"	15.84"	423	75.79"	30.91"	19.69"	523

***Not suitable for installation in a non-commercial or residential applications.**

Customer Service (704) 900-2068
Email: solaris@entree.biz
Website: www.entree.biz/solaris

As continued product improvement is a policy of Solaris, specifications are subject to change without notices.

FORM SGR Rev 20260128



COMMERCIAL COOKING