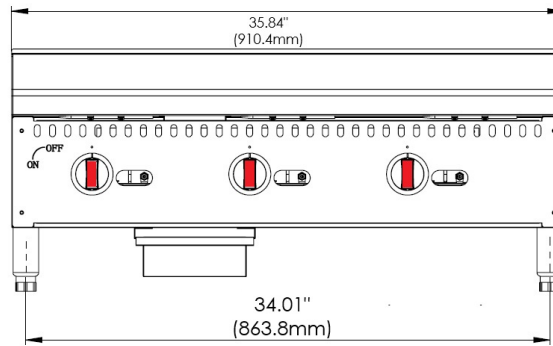
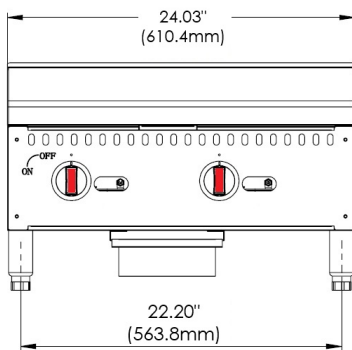
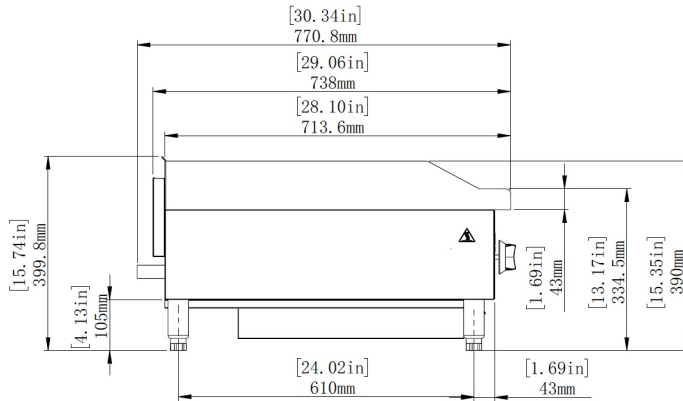




COMMERCIAL MEDIUM DUTY GAS COUNTERTOP GRIDDLE

SGR-2429 SHOWN



Features

- Key components have CSA/ETL certificate
- 4" adjustable stainless-steel legs (removed for packaging to prevent concealed damage and lower shipping costs.)
- Equipped with convertible appliance regulator (Maximum pressure 1/2 P.S.I.)
- Gas conversion kit shipped standard, to convert to appropriate incoming gas.
- 1" Thick hot rolled steel plate, quick recovery and even heating.
- 4" Back and 3" Side splash guards
- Grease container easily removed for cleaning.
- Infinite valve control
- Medium duty griddle

Model	# of Burners	Total BTU's	Cooking Surface		Product Dimensions			Net Weight (lbs.)	Shipping Dimensions			Gross Weight (lbs.)
			Width	Depth	Width	Depth	Height		Width	Depth	Height	
SGR-2429	2	60,000	23.87"	22.10"	24.03"	29.06"	15.74"	200	29.13"	35.43"	20.08"	243
SGR-3629	3	90,000	35.67"	22.10"	35.84"	29.06"	15.74"	285	40.94"	35.43"	20.08"	243

Warranty: Solaris's exclusive 1 year parts and labor FUSS warranty takes effect from date of purchase.

***Not suitable for installation in a non-commercial or residential applications.**

Customer Service (704) 900-2068
Email: solaris@entree.biz
Website: www.entree.biz/solaris



COMMERCIAL COOKING

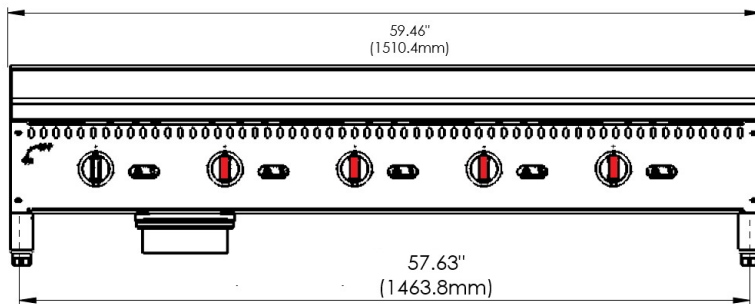
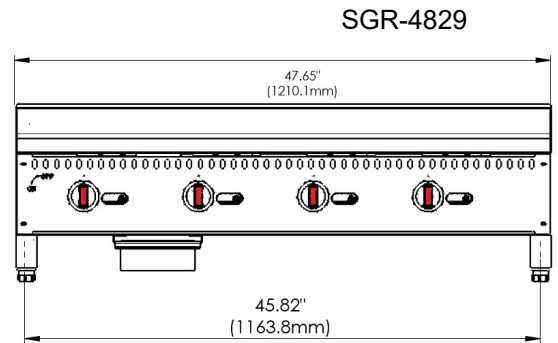
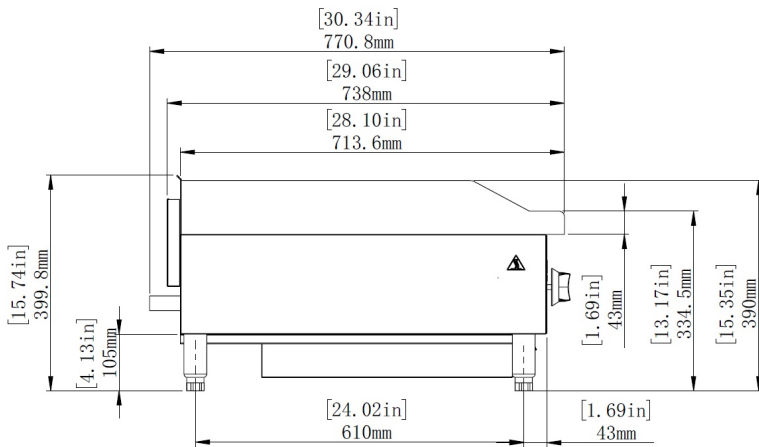


COMMERCIAL MEDIUM DUTY GAS COUNTERTOP GRIDDLE

A convertible 3/4" NPT appliance pressure regulator is provided with this unit and set for:
Natural Gas 4.0" W.C.
Propane Gas 10.0" W.C.

Rear Gas Connections is 3/4" NPT
Recommended incoming pressure:
Natural Gas 5.0" W.C. with not more than a 1/2" W.C. pressure drop
LP Gas 11.0" W.C. with not more than a 1/2" W.C. pressure drop

Side view for all



Model	# of Burners	Total BTU's	Cooking Surface		Product Dimensions			Net Weight (lbs.)	Shipping Dimensions			Gross Weight (lbs.)
			Width	Depth	Width	Depth	Height		Width	Depth	Height	
SGR-4829	4	120,000	47.48"	22.10"	47.65"	29.06"	15.74"	363	52.95"	35.43"	20.08"	431
SGR-6029	5	150,000	59.29"	22.10"	59.46"	29.06"	15.74"	450	63.98"	35.43"	20.08"	531

***Not suitable for installation in a non-commercial or residential applications.**

Customer Service (704) 900-2068
Email: solaris@entree.biz
Website: www.entree.biz/solaris

As continued product improvement is a policy of Solaris, specifications are subject to change without notices.

FORM SGR MED Rev 20260127



COMMERCIAL COOKING