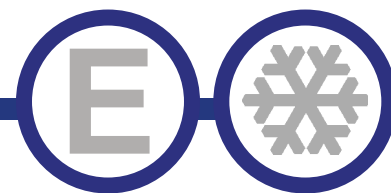




# Refrigeration "HC"



## Low Profile Under-Counter Freezers with Stainless Steel Interior

Height is 32"



Model	Size
UF2732-SI-HC	27" Unit
UF4832-SI-HC	48" Unit
UF6132-SI-HC	61" Unit
UF7232-SI-HC	72" Unit

### STANDARD FEATURES

- Stainless Steel Interior, sides, top & bottom, including SS door liner
- Solid state thermostat with digital display accurate to +/- 1°
- Stainless steel exterior front, sides and floor with galvanized bottom
- Self closing doors remain open past 90°
- Environmentally friendly R290
- EZ slide out condenser
- Whisper quiet, rear mounted condensing unit.
- Solid construction
- Full length integrated door handle
- Magnetic gaskets can be replace without any tools.
- Casters with two front brakes
- Cool air intake
- Polyurethane insulation (CFC Free)
- 2" clearance back & sides
- 2 year parts and labor warranty and an additional 3 years on the compressor

\*Not suitable for installation in a non-commercial or residential applications.

Items	Description	Items	Description
Front, top & sides	Stainless steel	Temperature control	Solid state thermostat/Digital display
Doors	Stainless steel door liner	Approvals	ETL Listed
External back	Aluminum	Refrigerating system	Capillary tube
Cabinet interior	Stainless Steel	Refrigerant	R290
Interior floor	Stainless steel	Temperature range	-10°F to +10°F
Insulation	Polyurethane (CFC free)	Evaporator	Powder coated aluminum/copper
Shelves	Heavy duty, PVC coating	Condensing unit	Rear mounted

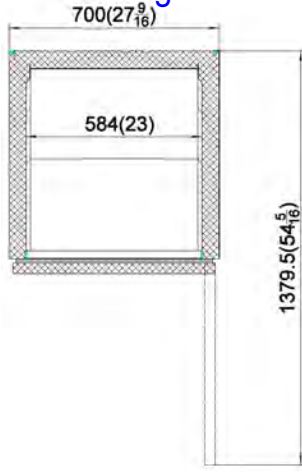
CONFORMS TO NSF/ANSI STD 7



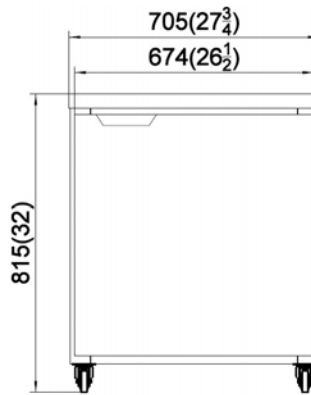


# DETAILS AND DIMENSIONS

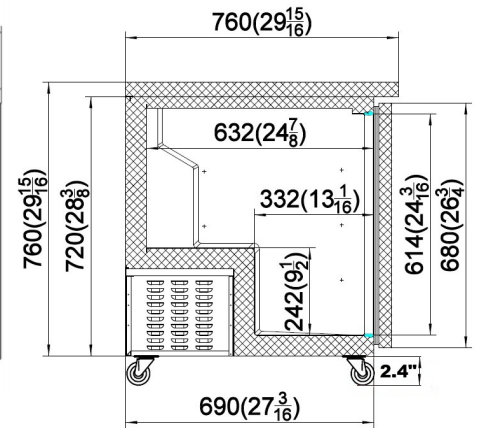
Top view door swing clearance



Front view UF2732-SI-HC

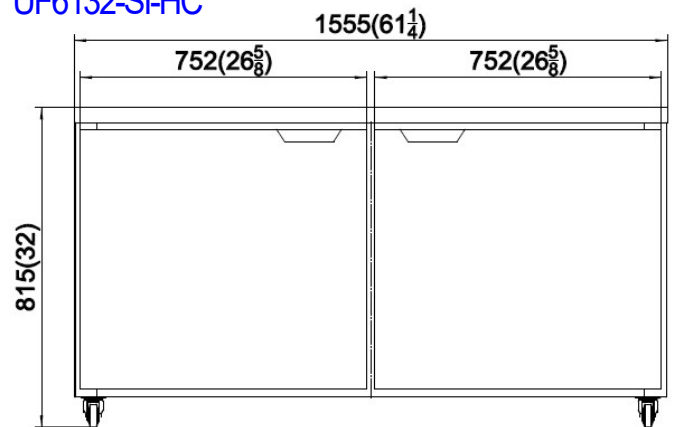
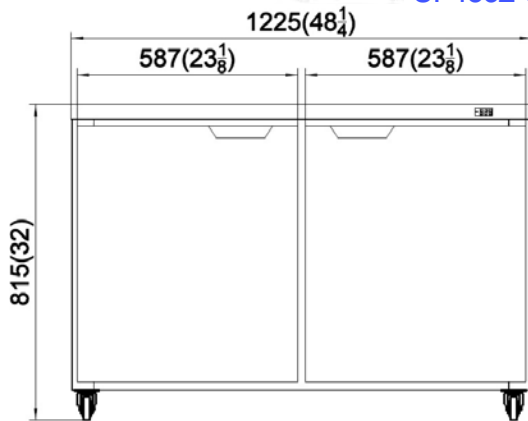


Side view for all

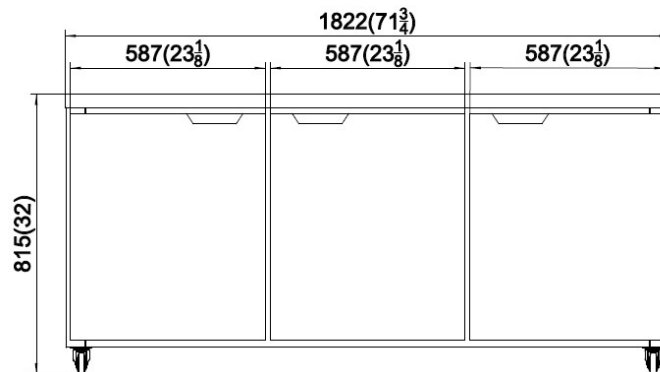


UF4832-SI-HC

UF6132-SI-HC



UF7232-SI-HC



Model	Doors	Shelves	Cabinet Dim (inches)			Shipping Dims		
			L	D	H	L	D	H
UF2732-SI-HC	1	1	27.75	29.9375	32.00"	30	31.5	38.2
UF4832-SI-HC	2	2	48.25	29.9375	32.00"	50	31.5	38.2
UF6132-SI-HC	2	2	61.25	29.9375	32.00"	63	31.5	38.2
UF7232-SI-HC	3	3	71.75	29.9375	32.00"	74	31.5	38.2
Model	Crated Weight	HP	Refrigerant	Refrigerant Amount	Voltage	Amps	NEMA Plug	Cord Length
UF2732-SI-HC	155	1/4	R290	3.35g	115V/60Hz	1.5	5-15P	9'
UF4832-SI-HC	227	1/3	R290	3.53g	115V/60Hz	3	5-15P	9'
UF6132-SI-HC	280	1/2	R290	3.53g	115V/60Hz	3	5-15P	9'
UF7232-SI-HC	325	3/4	R290	3.88g	115V/60Hz	3	5-15P	9'