



PARTS LIST

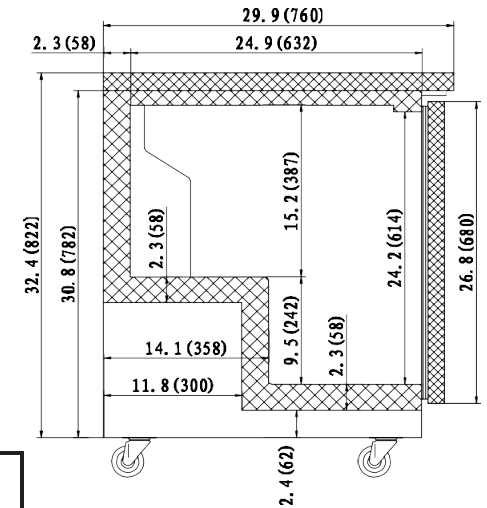
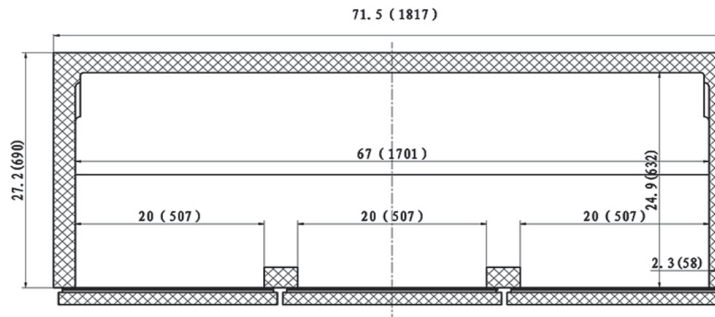
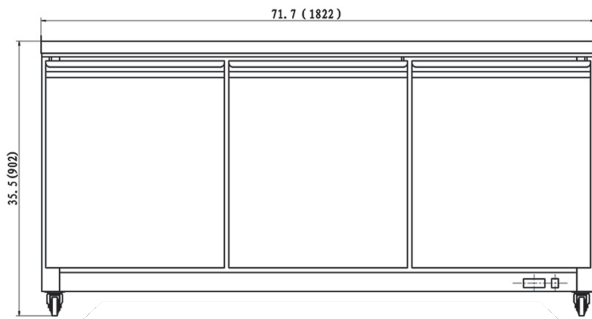
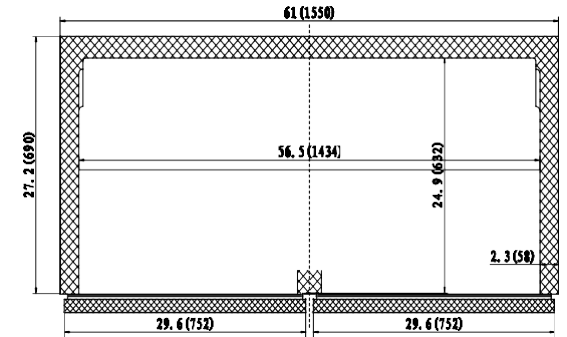
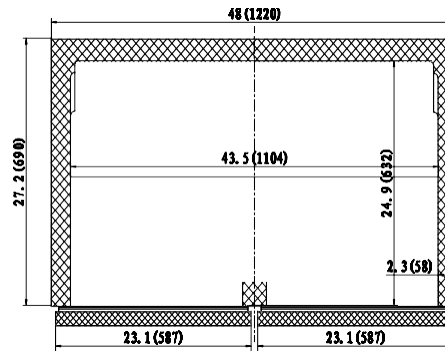
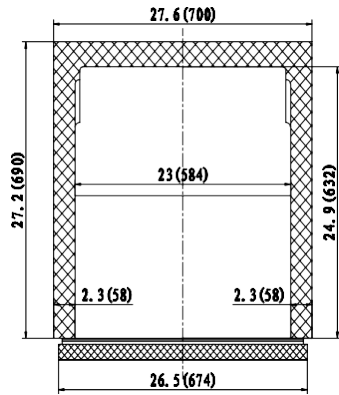
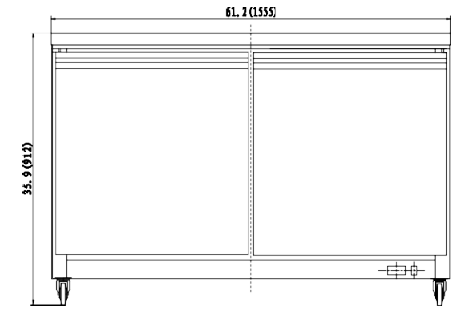
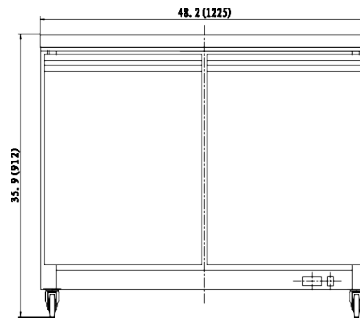
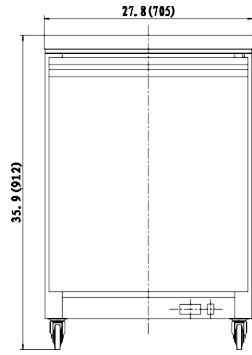
FOR UNDERCOUNTERS AND WORKTOPS MODELS:

**UR27-HC, UR48-HC, UR61-HC, UR72-HC, UF27-HC, UF48-HC,
UF61-HC, UF72-HC, WTR27-HC, WTR48-HC, WTR61-HC,
WTR72-HC, WTF27-HC, WTF48-HC, WTF61-HC, WTF72-HC**



For Parts please Call (704) 900-2068

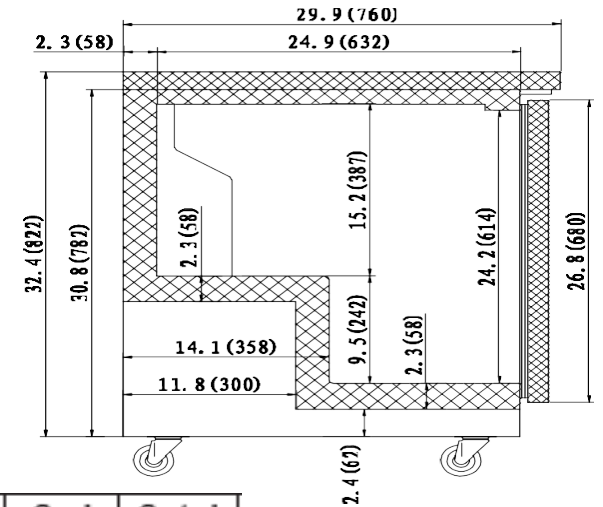
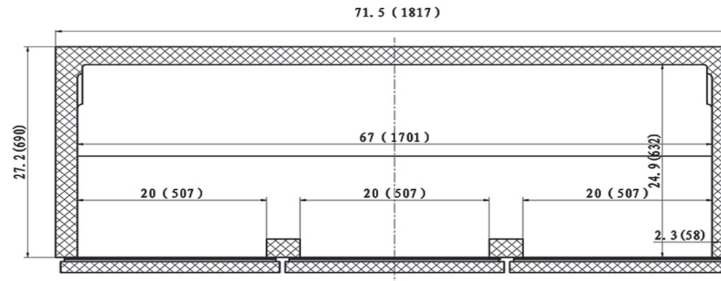
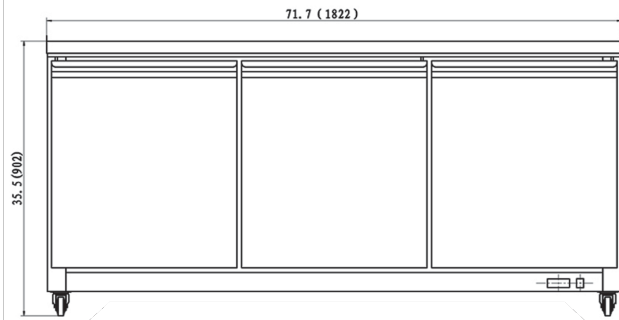
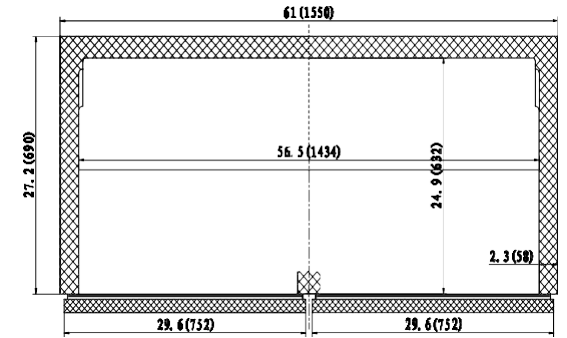
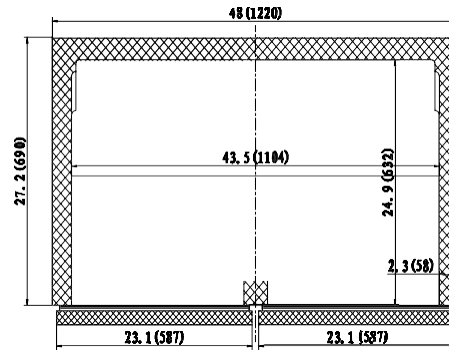
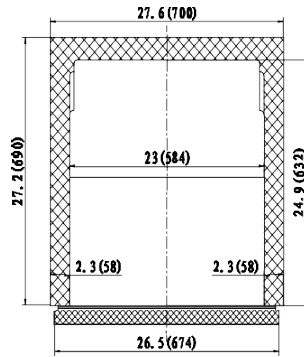
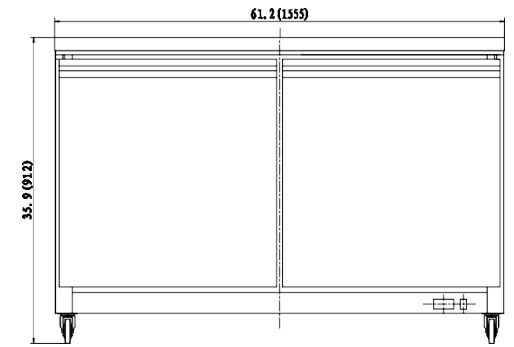
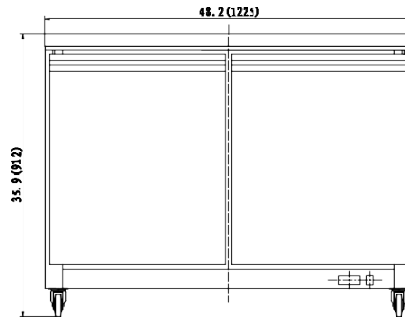
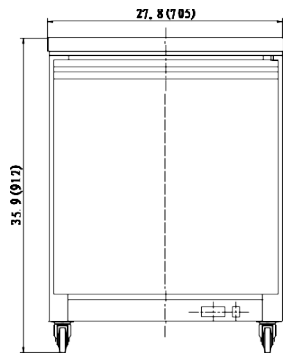
Revision Date: March 10, 2025



Model	Doors	Shelves	Cabinet Dim (inches) L D H			HP	Voltage	Amps	NEMA Plug	Cord Length	Crated Weight
			L	D	H						
UR27-ES-HC	1	1	27.8	29.9	35.5	3/8	115/60/1	1.5	5-15P	10	243
UR48-ES-HC	2	2	48.2	29.9	35.5	3/8	115/60/1	3.0	5-15P	10	300
UR61-ES-HC	2	2	61.2	29.9	35.5	3/8	115/60/1	3.0	5-15P	10	330
UR72-HC	3	3	71.7	29.9	35.5	3/8	115/60/1	3.5	5-15P	10	380

ES - Energy Star
continued product improvement is a policy of specifications are subject to change without

As
Entree,
notice.



Model	Doors	Shelves	Cabinet Dim (inches)			HP	Voltage	Amps	NEMA Plug	Cord Length	Crated Weight
			L	D	H						
UF27-HC	1	1	27.8	29.9	35.4	1/2	115/80/1	1.9	5-15P	10	291
UF48-HC	2	2	48.2	29.9	35.4	1/2	115/80/1	2.4	5-15P	10	340
UF61-HC	2	2	61.2	29.9	35.4	1/2	115/80/1	5.0	5-15P	10	388
UF72-HC	3	3	71.7	29.9	35.4	5/8	115/80/1	6.0	5-15P	10	399

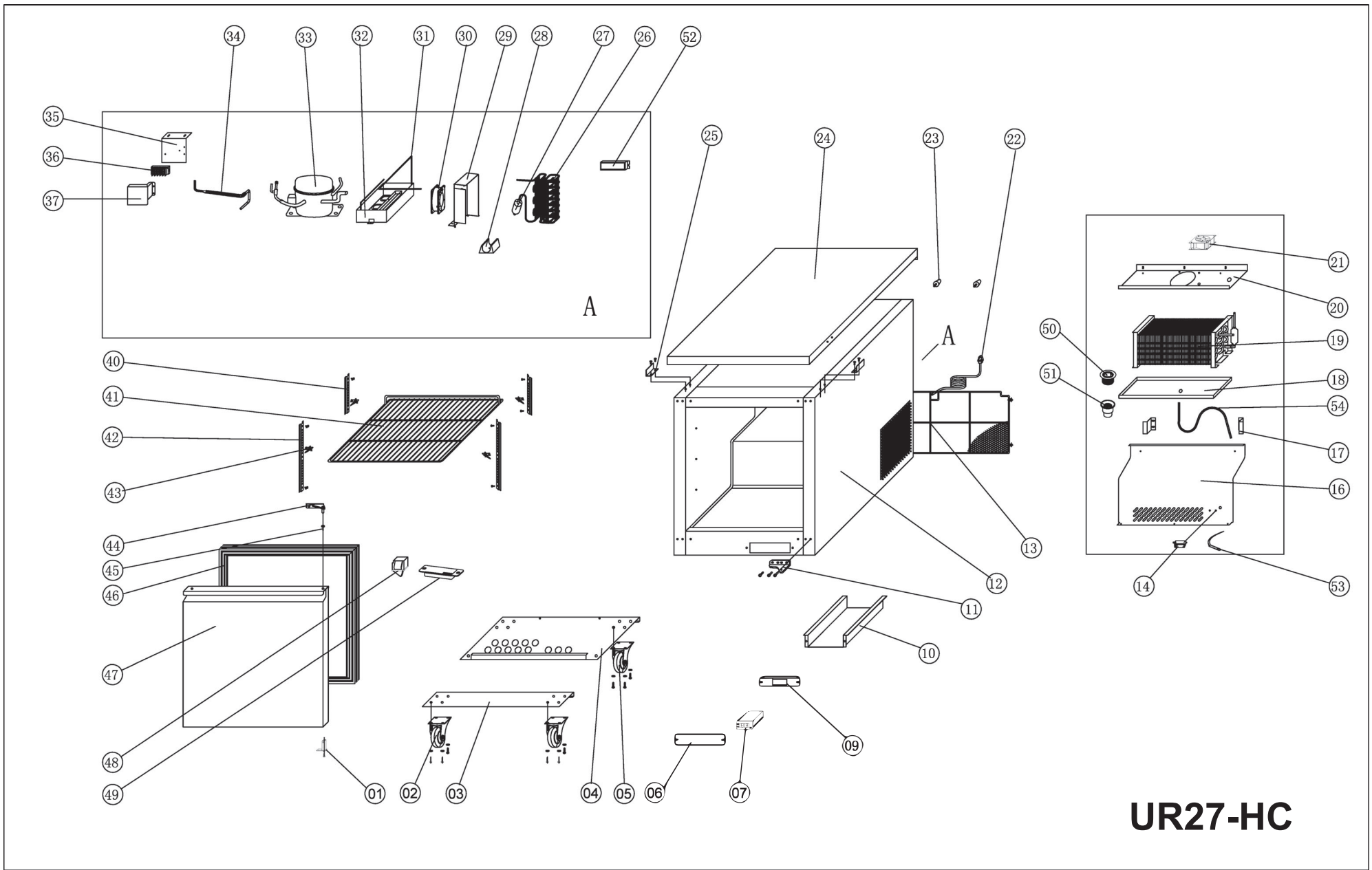
SPECIFICATION

MODEL#	V/Hz/Ph	AMPS	STORAGE CAPACITY	HP	SHELF CAPACITY Sq-ft	BTU	CHARGE OZ	SHIP WEIGHT LBS	NEMA PLUG
UR&WTR27	115/60/1	1.5	6.5	3/8	14	2800	2.47	243	5-15P
UR&WTR48	115/60/1	3	12	3/8	26	3000	2.65	300	5-15P
UR&WTR61	115/60/1	3	15.5	3/8	30	3200	2.82	348	5-15P
UR&WTR72	115/60/1	3.5	18	3/8	36	6200	4.59	380	5-15P

MODEL#	V/Hz/Ph	AMPS	STORAGE CAPACITY	HP	SHELF CAPACITY Sq-ft	BTU	CHARGE OZ	SHIP WEIGHT LBS	NEMA PLUG
UF&WTR27	115/60/1	1.9	6.5	1/2	14	3500	3.35	291	5-15P
UF&WTR48	115/60/1	2.4	12	1/2	26	3800	3.53	340	5-15P
UF&WTR61	115/60/1	5	15.5	1/2	30	4200	3.53	388	5-15P
UF&WTF72	115/60/1	6	18	5/8	36	6200	3.88	399	5-15P

MODEL#	V/Hz/Ph	AMPS	STORAGE CAPACITY	HP	SHELF CAPACITY Sq-ft	BTU	CHARGE OZ	SHIP WEIGHT LBS	NEMA PLUG
UF&WTR27-SI	115/60/1	1.9	6.5	1/2	14	3500	3.35	291	5-15P
UF&WTR48-SI	115/60/1	2.4	12	1/2	26	3800	3.53	340	5-15P
UF&WTR61-SI	115/60/1	5	15.5	1/2	30	4200	3.53	388	5-15P
UF&WTF72-SI	115/60/1	6	18	5/8	36	6200	3.88	399	5-15P

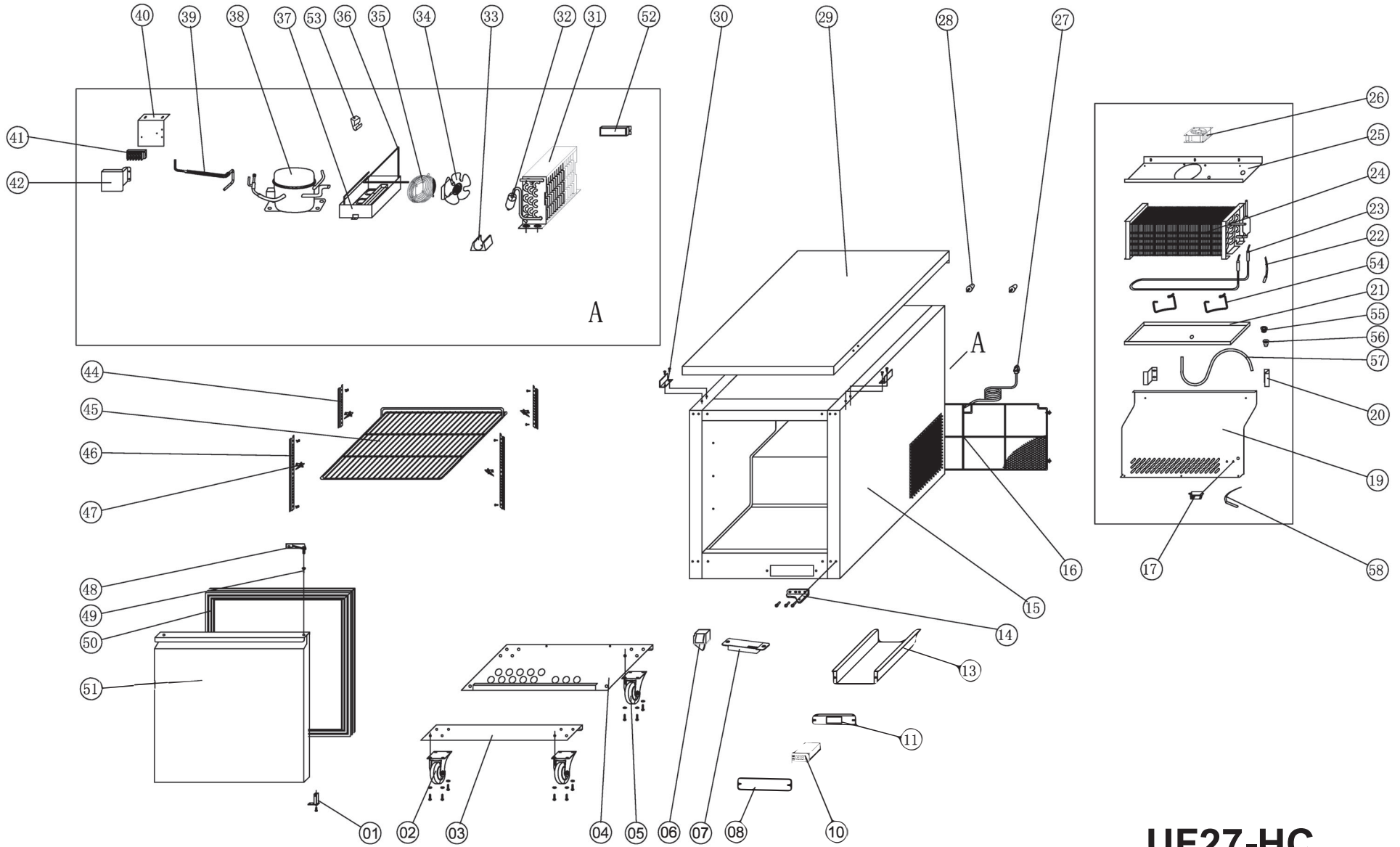
MODEL#	V/Hz/Ph	AMPS	STORAGE CAPACITY	HP	SHELF CAPACITY Sq-ft	BTU	CHARGE OZ	SHIP WEIGHT LBS	NEMA PLUG
UR&WTR27-SI	115/60/1	1.5	6.5	3/8	14	2800	2.47	243	5-15P
UR&WTR48-SI	115/60/1	3	12	3/8	26	3000	2.65	300	5-15P
UR&WTR61-SI	115/60/1	3	15.5	3/8	30	3200	2.82	348	5-15P
UR&WTR72-SI	115/60/1	3.5	18	3/8	36	6200	4.59	380	5-15P



UR27-HC

Parts List for Model: UR27-HC

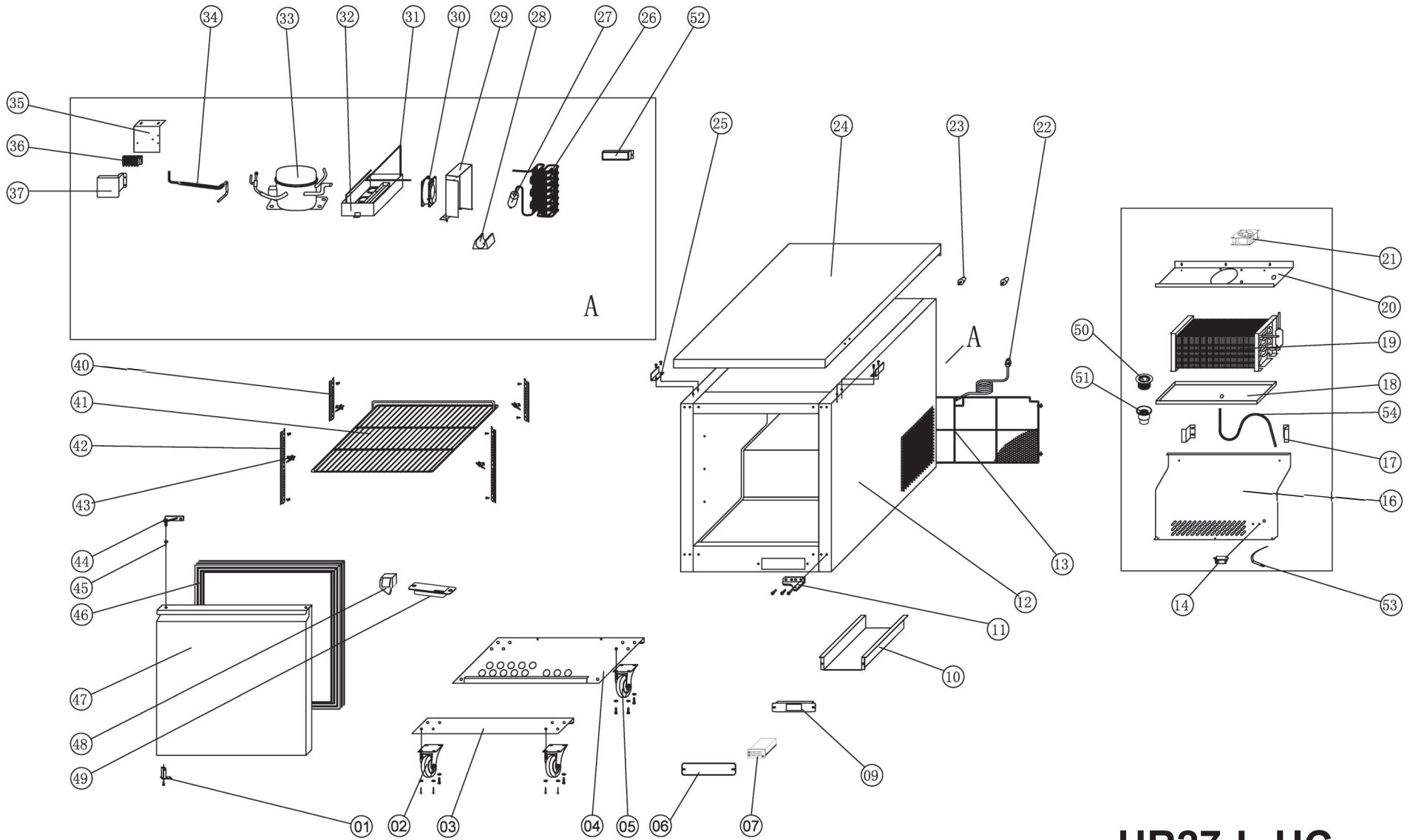
No.	PART #	DESCRIPTION	QTY	No.	PART #	DESCRIPTION	QTY
1	H00328-1	HINGE CARTRIDGE, SELF CLOSING	1	31	HC0123	EVAPORATOR PIPE	1
2	H01316	CASTER 2.5" DIAMETER WHEEL, WITH BRAKE	2	32	BC30911	CONDENSER DRAIN PAN	1
3	NON STOCKING	CASTER SUPPORT CHANEL	1	33	H00029F	COMPRESSOR (HDL125D) W/ FILTER DRYER	1
4	NON STOCKING	CASTER SUPPORT CHANEL	1	33	H00029K	START KIT FOR HDL125D	1
5	H01317	CASTER 2.5" DIAMETER WHEEL, WITH OUT BRAKE	2	33	H01303	CAP TUBE (.039" X 110.24")	1
6	H108060074	CONTROLLER PROTECTOR COVER	1	34	HC0136	SUCTION PIPE	1
7	H00219-2	CONTROLLER, DIXELL (XR20CX-4R0F1)	1	35	NON STOCKING	BRACKET	1
9	NON STOCKING	THERMOSTAT MOUNTING BOARD	1	36	H00215	TERMINAL BLOCK, 5 POLE	1
10	NON STOCKING	THERMOSTAT BOX	1	37	NON STOCKING	COVER	1
11	C02327RB	HINGE, LOWER RIGHT	1	40	H03342	PILASTER	2
12	NON STOCKING	CABINET	1	41	H01308	SHELF, (22.44" * 16.85")	1
13	H01314	REAR COMPARTMENT COVER	1	42	H01342	PILASTER	2
14	H00335	SENSOR CLIP	1	43	C3234860	PILASTER CLIP	4
16	H01153-1	EVAPORATOR COVER	1	44	C02327	HINGE, TOP RIGHT	1
17	NON STOCKING	EVAPORATOR MOUNTING BRACKET	2	45	H00327B	HINGE BUSHING	1
18	H01145	EVAPORATOR DRAIN PAN (18.5" X 5" X 1")	1	45	H00327	HINGE PIN W/NUT & BUSHING	1
19	HC1348R	EVAPORATOR COIL (16.54" X 1.96")	1	46	HC2326	GASKET 26-1/4 X 26-1/4 BLACK	1
20	HC1357	EVAPORATOR FAN SUPPORT	1	47	HC3323	DOOR	1
21	HC0117	EVAPORATOR FAN MOTOR (MOD 12539JE-12K-BA, DC12V .21A)	1	48	HC10000	DOOR SWITCH	1
22	C2194681	POWER CORD, 18AWG/NEMA 5-15P	1	49	HC10001	DOOR SWITCH CASE	1
23	H02315	REAR WALL SPACER	2	50	G30001	DRAIN CONNECTOR (MALE)	1
24	NON STOCKING	MAIN TOP	1	51	G30001F	DRAIN CONNECTOR (FEMALE)	1
25	NON STOCKING	MAIN TOP BRACKET	2	52	H104070144	LED POWER SUPPLY, APV-8-12 (12V/8W)	1
26	HC2347	CONDENSER COIL (ETUC27)	1	53	H00205	TEMPERATURE SENSOR NTC TYPE (118" LENGTH)	1
27	RD0341	FILTER DRIER	1	53	H00232	SENSOR CONNECTOR	1
28	NON STOCKING	DRIER SUPPORT	1	53	H00205	TEMPERATURE SENSOR NTC TYPE (118" LENGTH)	1
29	NON STOCKING	CONDENSER COVER	1	53	H00199	TEMPERATURE SENSOR NTC TYPE	1
30	H01110	CONDENSER FAN MOTOR, BOX STYLE, (1238, 120VAC, 6W, 3100RPM)	1	54	HC0396	DRAIN PIPE	1



UF27-HC

Parts List for Model: UF27-HC

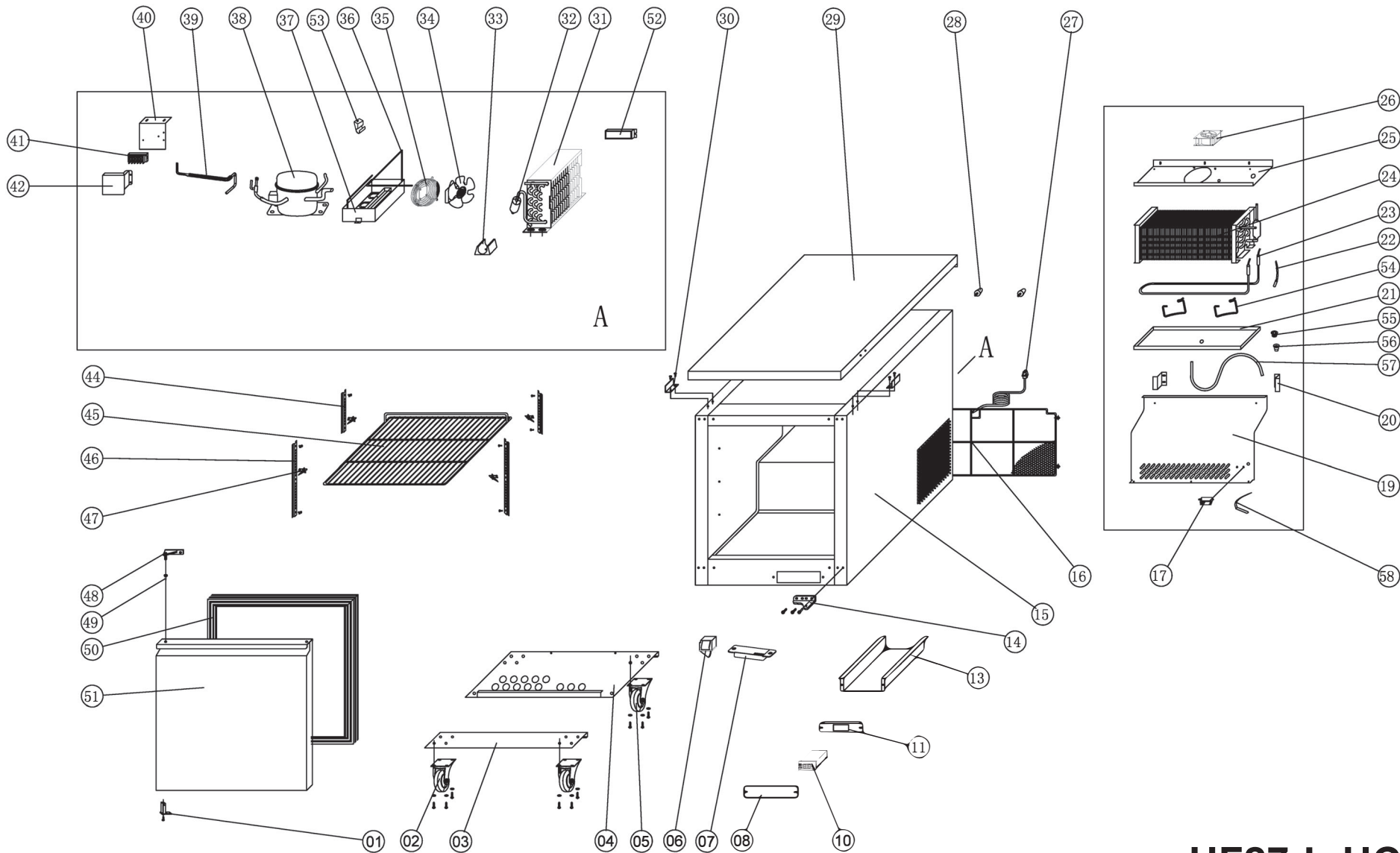
No.	PART #	DESCRIPTION	QTY	No.	PART #	DESCRIPTION	QTY
1	H00328-1	HINGE CARTRIDGE, SELF CLOSING	1	34	H00125	CONDENSER FAN MOTOR, BD03-04/CO6 (5W)	1
2	H01316	CASTER 2.5" DIAMETER WHEEL, WITH BRAKE	2	34	H00121	CONDENSER FAN BLADE (V200)	1
3	NON STOCKING	CASTER SUPPORT CHANEL	1	35	HC0113	CONDENSER FAN COVER	1
4	NON STOCKING	CASTER SUPPORT CHANEL	1	36	HC0125	EVAPORATOR PIPE	1
5	H01317	CASTER 2.5" DIAMETER WHEEL, WITH OUT BRAKE	2	37	BC30911	CONDENSER DRAIN PAN	1
6	HC10000	DOOR SWITCH	1	38	H00033F	COMPRESSOR (EM2X3121U) W/ FILTER DRYER	1
7	HC10001	DOOR SWITCH CASE	1	38	H00033K	START KIT FOR EM2X3121U	1
8	H108060074	CONTROLLER PROTECTOR COVER	1	38	H01305	CAP TUBE (.035" X 118.11")	1
10	HC0204	CONTROLLER, DIXELL (XR60CX-4R0F1)	1	39	HC0137	SUCTION PIPE	1
11	NON STOCKING	THERMOSTAT MOUNTING BOARD	1	40	NON STOCKING	BRACKET	1
13	NON STOCKING	THERMOSTAT BOX	1	41	H00215	TERMINAL BLOCK, 5 POLE	1
14	C02327RB	HINGE, LOWER RIGHT	1	42	NON STOCKING	COVER	1
15	NON STOCKING	CABINET	1	44	H03342	PILASTER	2
16	H01314	REAR COMPARTMENT COVER	1	45	H01308	SHELF, (22.44" * 16.85")	1
17	H00335	SENSOR CLIP	1	46	H01342	PILASTER	2
19	H01154	EVAPORATOR COVER	1	47	C3234860	PILASTER CLIP	4
20	NON STOCKING	EVAPORATOR MOUNTING BRACKET	2	48	C02327	HINGE, TOP RIGHT	1
21	H01142	EVAPORATOR DRAIN PAN	1	49	H00327B	HINGE BUSHING	1
22	H00207	FUSE, THERMAL, DEFROST HEATER	1	49	H00327	HINGE PIN W/NUT & BUSHING	1
23	HC1201	DEFROST HEATING ELEMENT	1	50	HC2326	GASKET 26-1/4 X 26-1/4 BLACK	1
24	HC1330F	EVAPORATOR COIL (14.17" X 1.96")	1	51	HC3323	DOOR	1
25	HC1357	EVAPORATOR FAN SUPPORT	1	52	H104070144	LED POWER SUPPLY, APV-8-12 (12V/8W)	1
26	HC0117	EVAPORATOR FAN MOTOR (MOD 12539JE-12K-BA, DC12V .21A)	1	53	NON STOCKING	DRAIN CLIP	1
27	C2194681	POWER CORD, 18AWG/NEMA 5-15P	1	54	NON STOCKING	HEAT ELEMENT CLIP	2
28	H02315	REAR WALL SPACER	2	55	G30001	DRAIN CONNECTOR (MALE)	1
29	NON STOCKING	MAIN TOP	1	56	G30001F	DRAIN CONNECTOR (FEMALE)	1
30	NON STOCKING	MAIN TOP BRACKET	2	57	HC0391	DRAIN PIPE	1
31	HC3347	CONDENSER COIL	1	58	H00205	TEMPERATURE SENSOR NTC TYPE (118" LENGTH)	1
32	RD0341	FILTER DRIER	1	58	H00232	SENSOR CONNECTOR	1
33	NON STOCKING	DRIER SUPPORT	1	58	H00205	TEMPERATURE SENSOR NTC TYPE (118" LENGTH)	1
				58	H00199	TEMPERATURE SENSOR NTC TYPE	1



UR27-L-HC

Parts List for Model: UR27-L-HC

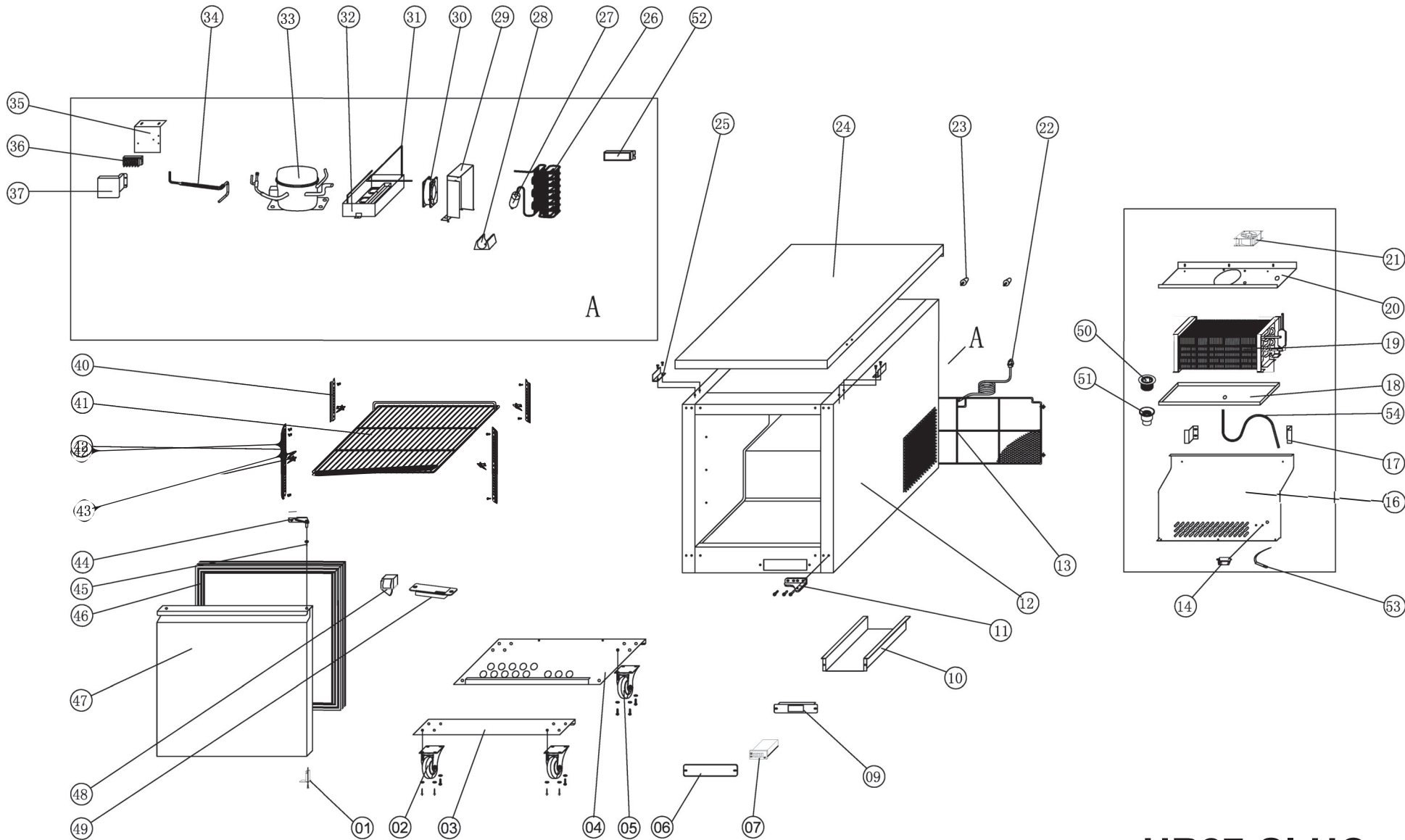
No.	PART #	DESCRIPTION	QTY	No.	PART #	DESCRIPTION	QTY
1	H00328-1	HINGE CARTRIDGE, SELF CLOSING	1	31	HC0123	EVAPORATOR PIPE	1
2	H01316	CASTER 2.5" DIAMETER WHEEL, WITH BRAKE	2	32	BC30911	CONDENSER DRAIN PAN	1
3	NON STOCKING	CASTER SUPPORT CHANEL	1	33	H00029F	COMPRESSOR (HDL125D) W/ FILTER DRYER	1
4	NON STOCKING	CASTER SUPPORT CHANEL	1	33	H00029K	START KIT FOR HDL125D	1
5	H01317	CASTER 2.5" DIAMETER WHEEL, WITH OUT BRAKE	2	33	H01303	CAP TUBE (.039" X 110.24")	1
6	H108060074	CONTROLLER PROTECTOR COVER	1	34	HC0136	SUCTION PIPE	1
7	H00219-2	CONTROLLER, DIXELL (XR20CX-4R0F1)	1	35	NON STOCKING	BRACKET	1
9	NON STOCKING	THERMOSTAT MOUNTING BOARD	1	36	H00215	TERMINAL BLOCK, 5 POLE	1
10	NON STOCKING	THERMOSTAT BOX	1	37	NON STOCKING	COVER	1
11	C01327LB	HINGE, LOWER LEFT	1	40	H03342	PILASTER	2
12	NON STOCKING	CABINET	1	41	H01308	SHELF, (22.44" * 16.85")	1
13	H01314	REAR COMPARTMENT COVER	1	42	H01342	PILASTER	2
14	H00335	SENSOR CLIP	1	43	C3234860	PILASTER CLIP	4
16	H01153-1	EVAPORATOR COVER	1	44	C01327	HINGE, TOP LEFT	1
17	NON STOCKING	EVAPORATOR MOUNTING BRACKET	2	45	H00327B	HINGE BUSHING	1
18	H01145	EVAPORATOR DRAIN PAN (18.5" X 5" X 1")	1	45	H00327	HINGE PIN W/NUT & BUSHING	1
19	HC1348R	EVAPORATOR COIL (16.54" X 1.96")	1	46	HC2326	GASKET 26-1/4 X 26-1/4 BLACK	1
20	HC1357	EVAPORATOR FAN SUPPORT	1	47	HC3323	DOOR	1
21	HC0117	EVAPORATOR FAN MOTOR (MOD 12539JE-12K-BA, DC12V .21A)	1	48	HC10000	DOOR SWITCH	1
22	C2194681	POWER CORD, 18AWG/NEMA 5-15P	1	49	HC10001	DOOR SWITCH CASE	1
23	H02315	REAR WALL SPACER	2	50	G30001	DRAIN CONNECTOR (MALE)	1
24	NON STOCKING	MAIN TOP	1	51	G30001F	DRAIN CONNECTOR (FEMALE)	1
25	NON STOCKING	MAIN TOP BRACKET	2	52	H104070144	LED POWER SUPPLY, APV-8-12 (12V/8W)	1
26	HC2347	CONDENSER COIL (ETUC27)	1	53	H00205	TEMPERATURE SENSOR NTC TYPE (118" LENGTH)	1
27	RD0341	FILTER DRIER	1	53	H00232	SENSOR CONNECTOR	1
28	NON STOCKING	DRIER SUPPORT	1	53	H00205	TEMPERATURE SENSOR NTC TYPE (118" LENGTH)	1
29	NON STOCKING	CONDENSER COVER	1	53	H00199	TEMPERATURE SENSOR NTC TYPE	1
30	H01110	CONDENSER FAN MOTOR, BOX STYLE, (1238, 120VAC, 6W, 3100RPM)	1	54	HC0396	DRAIN PIPE	1



UF27-L-HC

Parts List for Model: UF27-L-HC

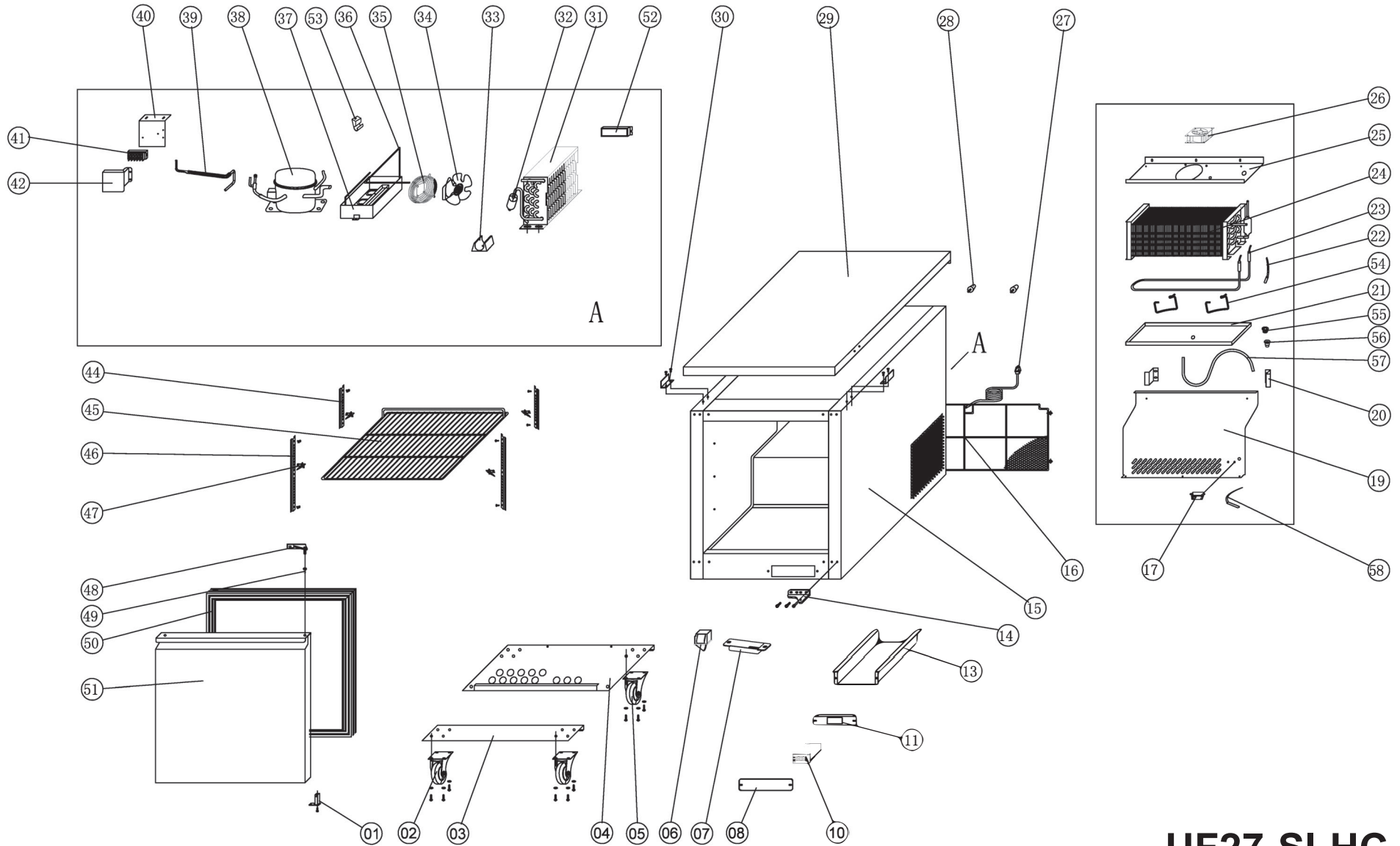
No.	PART #	DESCRIPTION	QTY	No.	PART #	DESCRIPTION	QTY
1	H00328-1	HINGE CARTRIDGE, SELF CLOSING	1	34	H00125	CONDENSER FAN MOTOR, BD03-04/CO6 (5W)	1
2	H01316	CASTER 2.5" DIAMETER WHEEL, WITH BRAKE	2	34	H00121	CONDENSER FAN BLADE (V200)	1
3	NON STOCKING	CASTER SUPPORT CHANEL	1	35	HC0113	CONDENSER FAN GRILL	1
4	NON STOCKING	CASTER SUPPORT CHANEL	1	36	HC0125	EVAPORATOR PIPE	1
5	H01317	CASTER 2.5" DIAMETER WHEEL, WITH OUT BRAKE	2	37	BC30911	CONDENSER DRAIN PAN	1
6	HC10000	DOOR SWITCH	1	38	H00033F	COMPRESSOR (EM2X3121U) W/ FILTER DRYER	1
7	HC10001	DOOR SWITCH CASE	1	38	H00033K	START KIT FOR EM2X3121U	1
8	H108060074	CONTROLLER PROTECTOR COVER	1	38	H01305	CAP TUBE (.035" X 118.11")	1
10	HC0204	CONTROLLER, DIXELL (XR60CX-4R0F1)	1	39	HC0137	SUCTION PIPE	1
11	NON STOCKING	THERMOSTAT MOUNTING BOARD	1	40	NON STOCKING	BRACKET	1
13	NON STOCKING	THERMOSTAT BOX	1	41	H00215	TERMINAL BLOCK, 5 POLE	1
14	C01327LB	HINGE, LOWER LEFT	1	42	NON STOCKING	TERMINAL COVER	1
15	NON STOCKING	CABINET	1	44	H03342	PILASTER	2
16	H01314	REAR COMPARTMENT COVER	1	45	H01308	SHELF, (22.44" * 16.85")	1
17	H00335	SENSOR CLIP	1	46	H01342	PILASTER	2
19	H01154	EVAPORATOR COVER	1	47	C3234860	PILASTER CLIP	4
20	NON STOCKING	EVAPORATOR MOUNTING BRACKET	2	48	C01327	HINGE, TOP LEFT	1
21	H01142	EVAPORATOR DRAIN PAN	1	49	H00327	HINGE PIN W/NUT & BUSHING	1
22	H00207	FUSE, THERMAL, DEFROST HEATER	1	49	H00327B	HINGE BUSHING	1
23	HC1201	DEFROST HEATING ELEMENT	1	50	HC2326	GASKET 26-1/4 X 26-1/4 BLACK	1
24	HC1330F	EVAPORATOR COIL (14.17" X 1.96")	1	51	HC3323	DOOR	1
25	HC1357	EVAPORATOR FAN SUPPORT	1	52	H104070144	LED POWER SUPPLY, APV-8-12 (12V/8W)	1
26	HC0117	EVAPORATOR FAN MOTOR (MOD 12539JE-12K-BA, DC12V .21A)	1	53	NON STOCKING	DRAIN BRACKET	1
27	C2194681	POWER CORD, 18AWG/NEMA 5-15P	1	54	NON STOCKING	HEAT ELEMENT CLIP	2
28	H02315	REAR WALL SPACER	2	55	G30001	DRAIN CONNECTOR (MALE)	1
29	NON STOCKING	MAIN TOP	1	56	G30001F	DRAIN CONNECTOR (FEMALE)	1
30	NON STOCKING	MAIN TOP BRACKET	2	57	HC0391	DRAIN PIPE	1
31	HC3347	CONDENSER COIL	1	58	H00205	TEMPERATURE SENSOR NTC TYPE (118" LENGTH)	1
32	RD0341	FILTER DRIER	1	58	H00232	SENSOR CONNECTOR	1
33	NON STOCKING	DRIER SUPPORT	1	58	H00205	TEMPERATURE SENSOR NTC TYPE (118" LENGTH)	1
				58	H00199	TEMPERATURE SENSOR NTC TYPE	1



UR27-SI-HC

Parts List for Model: UR27-SI-HC

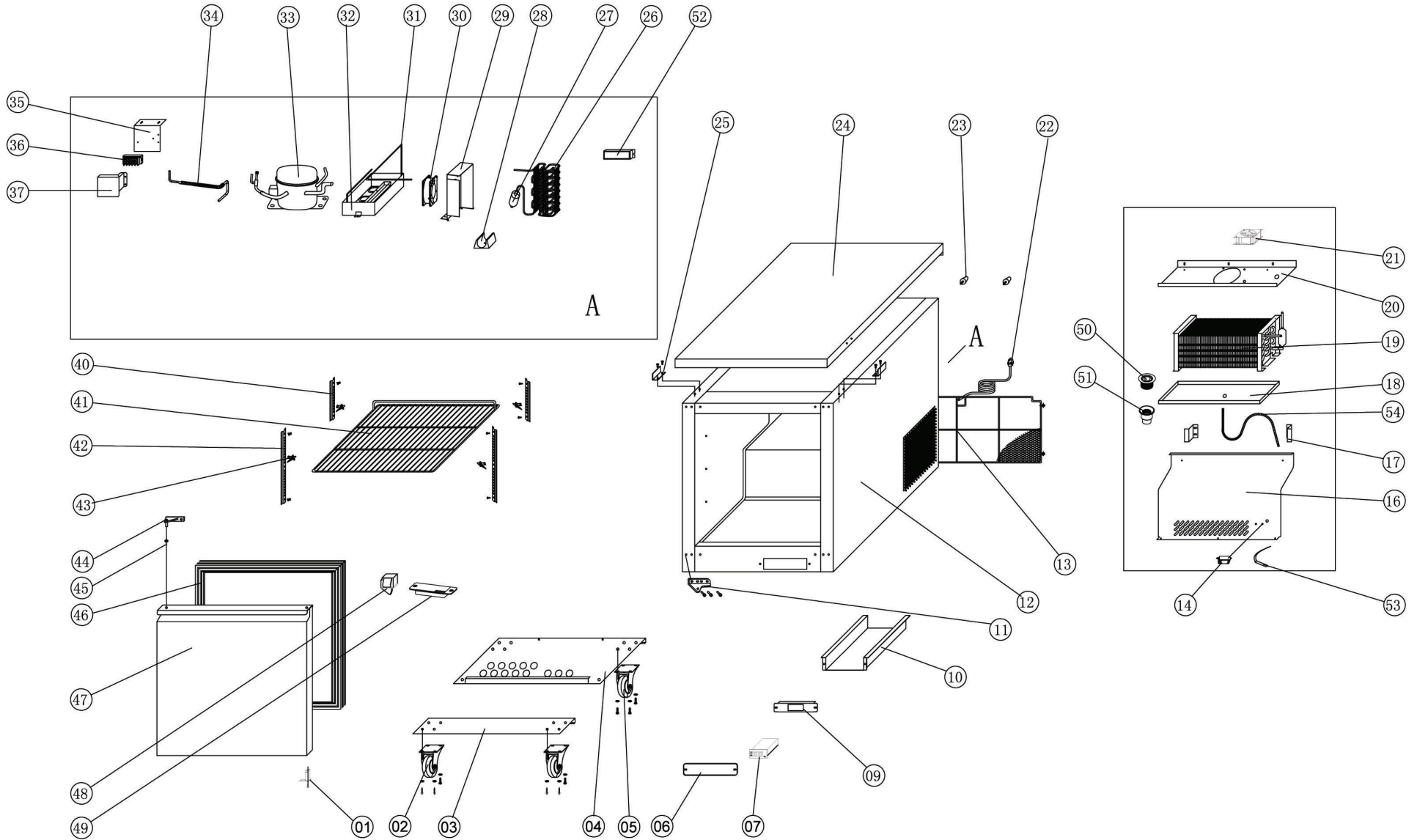
No.	PART #	DESCRIPTION	QTY	No.	PART #	DESCRIPTION	QTY
1	H00328-1	HINGE CARTRIDGE, SELF CLOSING	1	31	HC0123	EVAPORATOR PIPE	1
2	H01316	CASTER 2.5" DIAMETER WHEEL, WITH BRAKE	2	32	BC30911	CONDENSER DRAIN PAN	1
3	NON STOCKING	CASTER SUPPORT CHANEL	1	33	H00029F	COMPRESSOR (HDL125D) W/ FILTER DRYER	1
4	NON STOCKING	CASTER SUPPORT CHANEL	1	33	H00029K	START KIT FOR HDL125D	1
5	H01317	CASTER 2.5" DIAMETER WHEEL, WITH OUT BRAKE	2	33	H01303	CAP TUBE (.039" X 110.24")	1
6	H108060074	CONTROLLER PROTECTOR COVER	1	34	HC0136	SUCTION PIPE	1
7	H00219-2	CONTROLLER, DIXELL (XR20CX-4R0F1)	1	35	NON STOCKING	BRACKET	1
9	NON STOCKING	THERMOSTAT MOUNTING BOARD	1	36	H00215	TERMINAL BLOCK, 5 POLE	1
10	NON STOCKING	THERMOSTAT BOX	1	37	NON STOCKING	COVER	1
11	C02327RB	HINGE, LOWER RIGHT	1	40	H03342	PILASTER	2
12	NON STOCKING	CABINET	1	41	H01308	SHELF, (22.44" * 16.85")	1
13	H01314	REAR COMPARTMENT COVER	1	42	H01342	PILASTER	2
14	H03335	SENSOR FIXED CLIP	1	43	C3234860	PILASTER CLIP	4
16	H01153S	COVER, EVAPORATOR (SS INTERIOR)	1	44	C02327	HINGE, TOP RIGHT	1
17	NON STOCKING	EVAPORATOR MOUNTING BRACKET	2	45	H00327B	HINGE BUSHING	1
18	H01145	EVAPORATOR DRAIN PAN (18.5" X 5" X 1")	1	45	H00327	HINGE PIN W/NUT & BUSHING	1
19	HC1348R	EVAPORATOR COIL (16.54" X 1.96")	1	46	HC2326	GASKET 26-1/4 X 26-1/4 BLACK	1
20	HC1357	EVAPORATOR FAN SUPPORT	1	47	HC3323-1	DOOR	1
21	HC0117	EVAPORATOR FAN MOTOR (MOD 12539JE-12K-BA, DC12V .21A)	1	48	HC10000	DOOR SWITCH	1
22	C2194681	POWER CORD, 18AWG/NEMA 5-15P	1	49	HC10001	DOOR SWITCH CASE	1
23	H02315	REAR WALL SPACER	2	50	G30001	DRAIN CONNECTOR (MALE)	1
24	NON STOCKING	MAIN TOP	1	51	G30001F	DRAIN CONNECTOR (FEMALE)	1
25	NON STOCKING	MAIN TOP BRACKET	2	52	H104070144	LED POWER SUPPLY, APV-8-12 (12V/8W)	1
26	HC2347	CONDENSER COIL (ETUC27)	1	53	H00205	TEMPERATURE SENSOR NTC TYPE (118" LENGTH)	1
27	RD0341	FILTER DRIER	1	53	H00232	SENSOR CONNECTOR	1
28	NON STOCKING	DRIER SUPPORT	1	53	H00205	TEMPERATURE SENSOR NTC TYPE (118" LENGTH)	1
29	NON STOCKING	CONDENSER COVER	1	53	H00199	TEMPERATURE SENSOR NTC TYPE	1
30	H01110	CONDENSER FAN MOTOR, BOX STYLE, (1238, 120VAC, 6W, 3100RPM)	1	54	HC0396	DRAIN PIPE	1



UF27-SI-HC

Parts List for Model: UF27-SI-HC

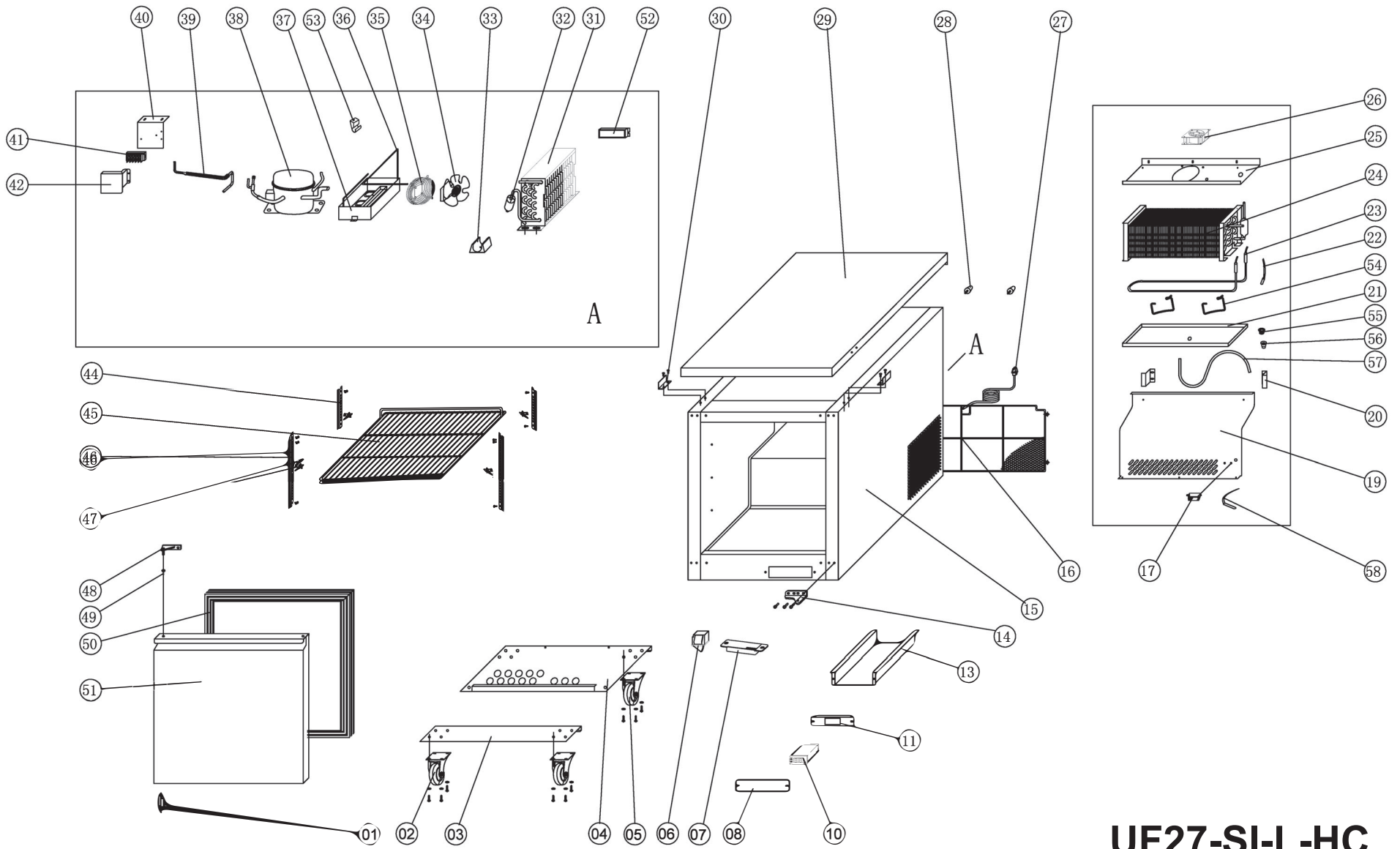
No.	PART #	DESCRIPTION	QTY	No.	PART #	DESCRIPTION	QTY
1	H00328-1	HINGE CARTRIDGE, SELF CLOSING	1	34	H00125	CONDENSER FAN MOTOR, BD03-04/CO6 (5W)	1
2	H01316	CASTER 2.5" DIAMETER WHEEL, WITH BRAKE	2	34	H00121	CONDENSER FAN BLADE (V200)	1
3	NON STOCKING	CASTER SUPPORT CHANEL	1	35	HC0113	CONDENSER FAN GRILL	1
4	NON STOCKING	CASTER SUPPORT CHANEL	1	36	HC0125	EVAPORATOR PIPE	1
5	H01317	CASTER 2.5" DIAMETER WHEEL, WITH OUT BRAKE	2	37	BC30911	CONDENSER DRAIN PAN	1
6	HC10000	DOOR SWITCH	1	38	H00033F	COMPRESSOR (EM2X3121U) W/ FILTER DRYER	1
7	HC10001	DOOR SWITCH CASE	1	38	H00033K	START KIT FOR EM2X3121U	1
8	H108060074	CONTROLLER PROTECTOR COVER	1	38	H01305	CAP TUBE (.035" X 118.11")	1
10	HC0204	CONTROLLER, DIXELL (XR60CX-4R0F1)	1	39	HC0137	SUCTION PIPE	1
11	NON STOCKING	THERMOSTAT MOUNTING BOARD	1	40	NON STOCKING	BRACKET	1
13	NON STOCKING	THERMOSTAT BOX	1	41	H00215	TERMINAL BLOCK, 5 POLE	1
14	C02327RB	HINGE, LOWER RIGHT	1	42	NON STOCKING	TERMINAL COVER	1
15	NON STOCKING	CABINET	1	44	H03342	PILASTER	2
16	H01314	REAR COMPARTMENT COVER	1	45	H01308	SHELF, (22.44" * 16.85")	1
17	H03335	SENSOR FIXED CLIP	1	46	H01342	PILASTER	2
19	H01154S	COVER, EVAPORATOR (SS INTERIOR)	1	47	C3234860	PILASTER CLIP	4
20	NON STOCKING	EVAPORATOR MOUNTING BRACKET	2	48	C02327	HINGE, TOP RIGHT	1
21	H01142	EVAPORATOR DRAIN PAN	1	49	H00327	HINGE PIN W/NUT & BUSHING	1
22	H00207	FUSE, THERMAL, DEFROST HEATER	1	49	H00327B	HINGE BUSHING	1
23	HC1201	DEFROST HEATING ELEMENT	1	50	HC2326	GASKET 26-1/4 X 26-1/4 BLACK	1
24	HC1330F	EVAPORATOR COIL (14.17" X 1.96")	1	51	HC2323S-2	DOOR, LEFT OR RIGHT (SI)	1
25	HC1357	EVAPORATOR FAN SUPPORT	1	52	H104070144	LED POWER SUPPLY, APV-8-12 (12V/8W)	1
26	HC0117	EVAPORATOR FAN MOTOR (MOD 12539JE-12K-BA, DC12V .21A)	1	53	NON STOCKING	DRAIN BRACKET	1
27	C2194681	POWER CORD, 18AWG/NEMA 5-15P	1	54	NON STOCKING	HEAT ELEMENT CLIP	2
28	H02315	REAR WALL SPACER	2	55	G30001	DRAIN CONNECTOR (MALE)	1
29	NON STOCKING	MAIN TOP	1	56	G30001F	DRAIN CONNECTOR (FEMALE)	1
30	NON STOCKING	MAIN TOP BRACKET	2	57	HC0391	DRAIN PIPE	1
31	HC3347	CONDENSER COIL	1	58	H00205	TEMPERATURE SENSOR NTC TYPE (118" LENGTH)	1
32	RD0341	FILTER DRIER	1	58	H00232	SENSOR CONNECTOR	1
33	NON STOCKING	DRIER SUPPORT	1	58	H00205	TEMPERATURE SENSOR NTC TYPE (118" LENGTH)	1
				58	H00199	TEMPERATURE SENSOR NTC TYPE	1



UR27-SI-L-HC

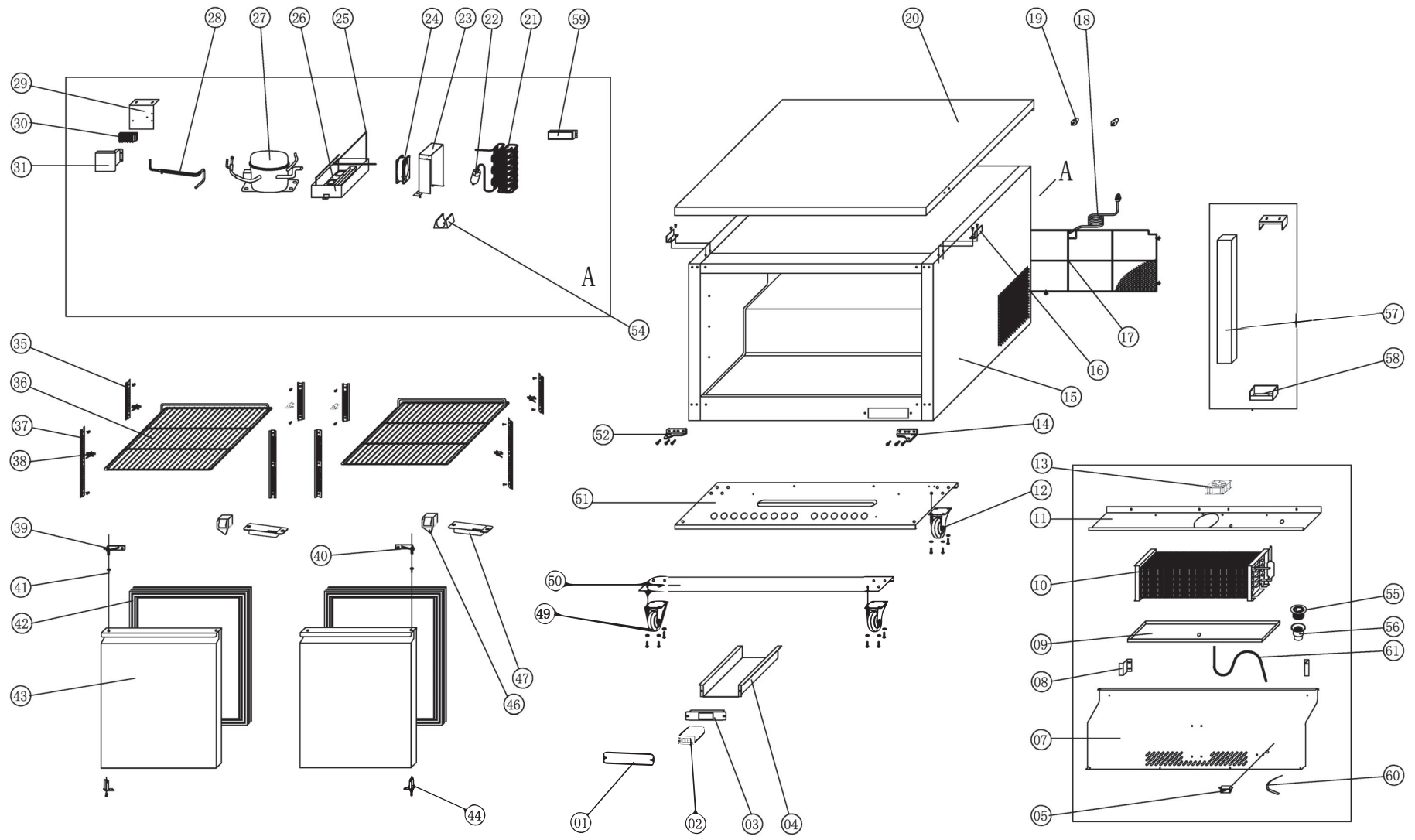
Parts List for Model: UR27-SI-L-HC

No.	PART #	DESCRIPTION	QTY	No.	PART #	DESCRIPTION	QTY
1	H00328-1	HINGE CARTRIDGE, SELF CLOSING	1	31	HC0123	EVAPORATOR PIPE	1
2	H01316	CASTER 2.5" DIAMETER WHEEL, WITH BRAKE	2	32	BC30911	CONDENSER DRAIN PAN	1
3	NON STOCKING	CASTER SUPPORT CHANEL	1	33	H00029F	COMPRESSOR (HDL125D) W/ FILTER DRYER	1
4	NON STOCKING	CASTER SUPPORT CHANEL	1	33	H00029K	START KIT FOR HDL125D	1
5	H01317	CASTER 2.5" DIAMETER WHEEL, WITH OUT BRAKE	2	33	H01303	CAP TUBE (.039" X 110.24")	1
6	H108060074	CONTROLLER PROTECTOR COVER	1	34	HC0136	SUCTION PIPE	1
7	H00219-2	CONTROLLER, DIXELL (XR20CX-4R0F1)	1	35	NON STOCKING	BRACKET	1
9	NON STOCKING	THERMOSTAT MOUNTING BOARD	1	36	H00215	TERMINAL BLOCK, 5 POLE	1
10	NON STOCKING	THERMOSTAT BOX	1	37	NON STOCKING	COVER	1
11	C01327LB	HINGE, LOWER LEFT	1	40	H03342	PILASTER	2
12	HC3323	DOOR	1	41	H01308	SHELF, (22.44" * 16.85")	1
13	H01314	REAR COMPARTMENT COVER	1	42	H01342	PILASTER	2
14	H03335	SENSOR FIXED CLIP	1	43	C3234860	PILASTER CLIP	4
16	H01153S	COVER, EVAPORATOR (SS INTERIOR)	1	44	C01327	HINGE, TOP LEFT	1
17	NON STOCKING	EVAPORATOR MOUNTING BRACKET	2	45	H00327B	HINGE BUSHING	1
18	H01145	EVAPORATOR DRAIN PAN (18.5" X 5" X 1")	1	46	HC2326	GASKET 26-1/4 X 26-1/4 BLACK	1
19	HC1348R	EVAPORATOR COIL (16.54" X 1.96")	1	47	HC3323-1	DOOR	1
20	HC1357	EVAPORATOR FAN SUPPORT	1	48	HC10000	DOOR SWITCH	1
21	HC0117	EVAPORATOR FAN MOTOR (MOD 12539JE-12K-BA, DC12V .21A)	1	49	HC10001	DOOR SWITCH CASE	1
22	C2194681	POWER CORD, 18AWG/NEMA 5-15P	1	50	G30001	DRAIN CONNECTOR (MALE)	1
23	H02315	REAR WALL SPACER	2	51	G30001F	DRAIN CONNECTOR (FEMALE)	1
24	NON STOCKING	MAIN TOP	1	52	H104070144	LED POWER SUPPLY, APV-8-12 (12V/8W)	1
25	NON STOCKING	MAIN TOP BRACKET	2	53	H00205	TEMPERATURE SENSOR NTC TYPE (118" LENGTH)	1
26	HC2347	CONDENSER COIL (ETUC27)	1	53	H00232	SENSOR CONNECTOR	1
27	RD0341	FILTER DRIER	1	53	H00205	TEMPERATURE SENSOR NTC TYPE (118" LENGTH)	1
28	NON STOCKING	DRIER SUPPORT	1	53	H00199	TEMPERATURE SENSOR NTC TYPE	1
29	NON STOCKING	CONDENSER COVER	1	54	HC0396	DRAIN PIPE	1
30	H01110	CONDENSER FAN MOTOR, BOX STYLE, (1238, 120VAC, 6W, 3100RPM)	1				



Parts List for Model: UF27-SI-L-HC

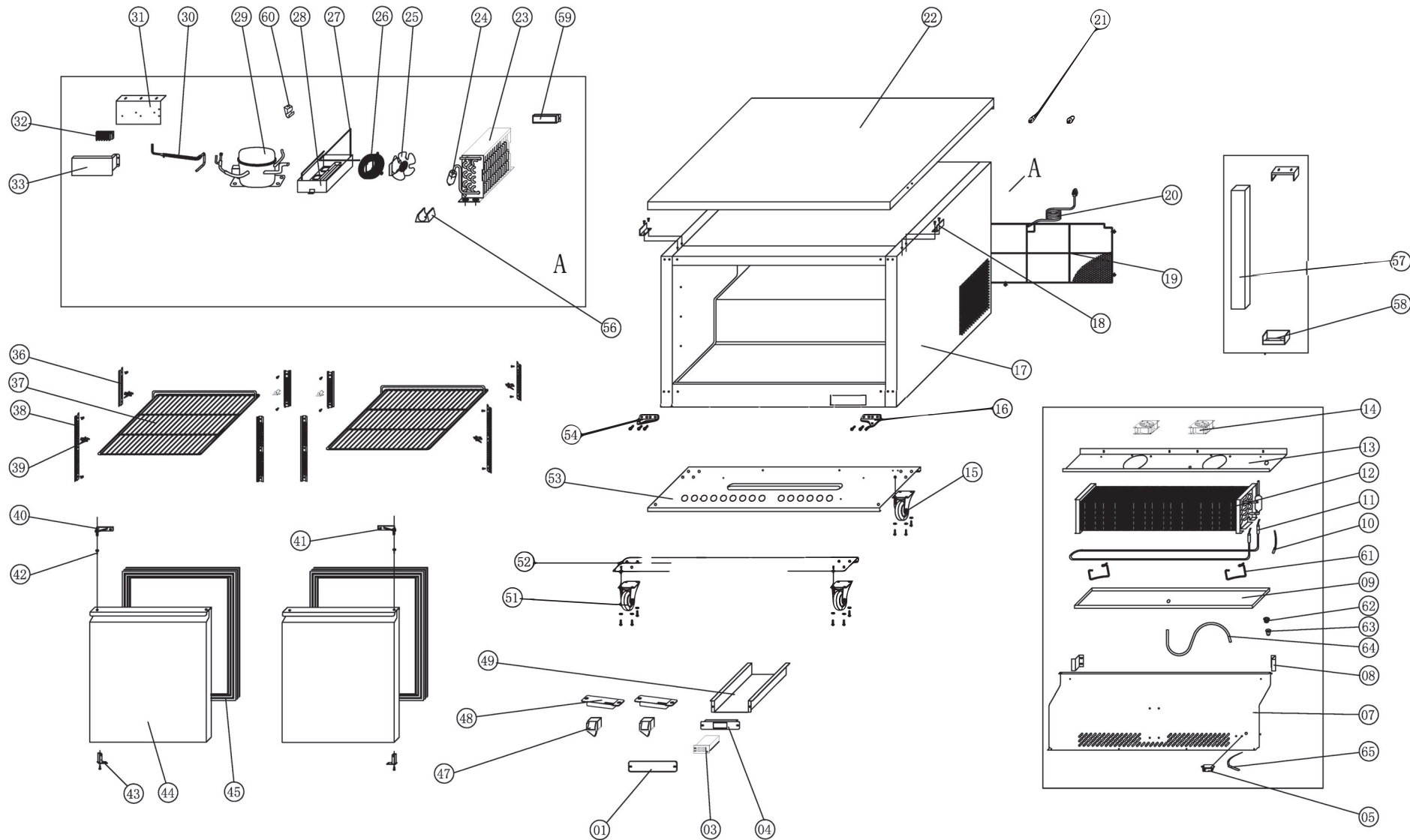
No.	PART #	DESCRIPTION	QTY	No.	PART #	DESCRIPTION	QTY
1	H00328-1	HINGE CARTRIDGE, SELF CLOSING	1	34	H00125	CONDENSER FAN MOTOR, BD03-04/CO6 (5W)	1
2	H01316	CASTER 2.5" DIAMETER WHEEL, WITH BRAKE	2	34	H00121	CONDENSER FAN BLADE (V200)	1
3	NON STOCKING	CASTER SUPPORT CHANEL	1	35	HC0113	CONDENSER FAN COVER	1
4	NON STOCKING	CASTER SUPPORT CHANEL	1	36	HC0125	EVAPORATOR PIPE	1
5	H01317	CASTER 2.5" DIAMETER WHEEL, WITH OUT BRAKE	2	37	BC30911	CONDENSER DRAIN PAN	1
6	HC10000	DOOR SWITCH	1	38	H00033F	COMPRESSOR (EM2X3121U) W/ FILTER DRYER	1
7	HC10001	DOOR SWITCH CASE	1	38	H00033K	START KIT FOR EM2X3121U	1
8	H108060074	CONTROLLER PROTECTOR COVER	1	38	H01305	CAP TUBE (.035" X 118.11")	1
10	HC0204	CONTROLLER, DIXELL (XR60CX-4R0F1)	1	39	HC0137	SUCTION PIPE	1
11	NON STOCKING	THERMOSTAT MOUNTING BOARD	1	40	NON STOCKING	BRACKET	1
13	NON STOCKING	THERMOSTAT BOX	1	41	H00215	TERMINAL BLOCK, 5 POLE	1
14	C01327LB	HINGE, LOWER LEFT	1	42	NON STOCKING	COVER	1
15	NON STOCKING	CABINET	1	44	H03342	PILASTER	2
16	H01314	REAR COMPARTMENT COVER	1	45	H01308	SHELF, (22.44" * 16.85")	1
17	H03335	SENSOR FIXED CLIP	1	46	H01342	PILASTER	2
19	H01154S	COVER, EVAPORATOR (SS INTERIOR)	1	47	C3234860	PILASTER CLIP	4
20	NON STOCKING	EVAPORATOR MOUNTING BRACKET	2	48	C01327	HINGE, TOP LEFT	1
21	H01142	EVAPORATOR DRAIN PAN	1	49	H00327B	HINGE BUSHING	1
22	H00207	FUSE, THERMAL, DEFROST HEATER	1	49	H00327	HINGE PIN W/NUT & BUSHING	1
23	HC1201	DEFROST HEATING ELEMENT	1	50	HC2326	GASKET 26-1/4 X 26-1/4 BLACK	1
24	HC1330F	EVAPORATOR COIL (14.17" X 1.96")	1	51	HC2323S-2	DOOR, LEFT OR RIGHT (SI)	1
25	HC1357	EVAPORATOR FAN SUPPORT	1	52	H104070144	LED POWER SUPPLY, APV-8-12 (12V/8W)	1
26	HC0117	EVAPORATOR FAN MOTOR (MOD 12539JE-12K-BA, DC12V .21A)	1	53	NON STOCKING	DRAIN CLIP	1
27	C2194681	POWER CORD, 18AWG/NEMA 5-15P	1	54	NON STOCKING	HEAT ELEMENT CLIP	2
28	H02315	REAR WALL SPACER	2	55	G30001	DRAIN CONNECTOR (MALE)	1
29	NON STOCKING	MAIN TOP	1	56	G30001F	DRAIN CONNECTOR (FEMALE)	1
30	NON STOCKING	MAIN TOP BRACKET	2	57	HC0391	DRAIN PIPE	1
31	HC3347	CONDENSER COIL	1	58	H00205	TEMPERATURE SENSOR NTC TYPE (118" LENGTH)	1
32	RD0341	FILTER DRIER	1	58	H00232	SENSOR CONNECTOR	1
33	NON STOCKING	DRIER SUPPORT	1	58	H00205	TEMPERATURE SENSOR NTC TYPE (118" LENGTH)	1
				58	H00199	TEMPERATURE SENSOR NTC TYPE	1



UR48-HC

Parts List for Model: UR48-HC

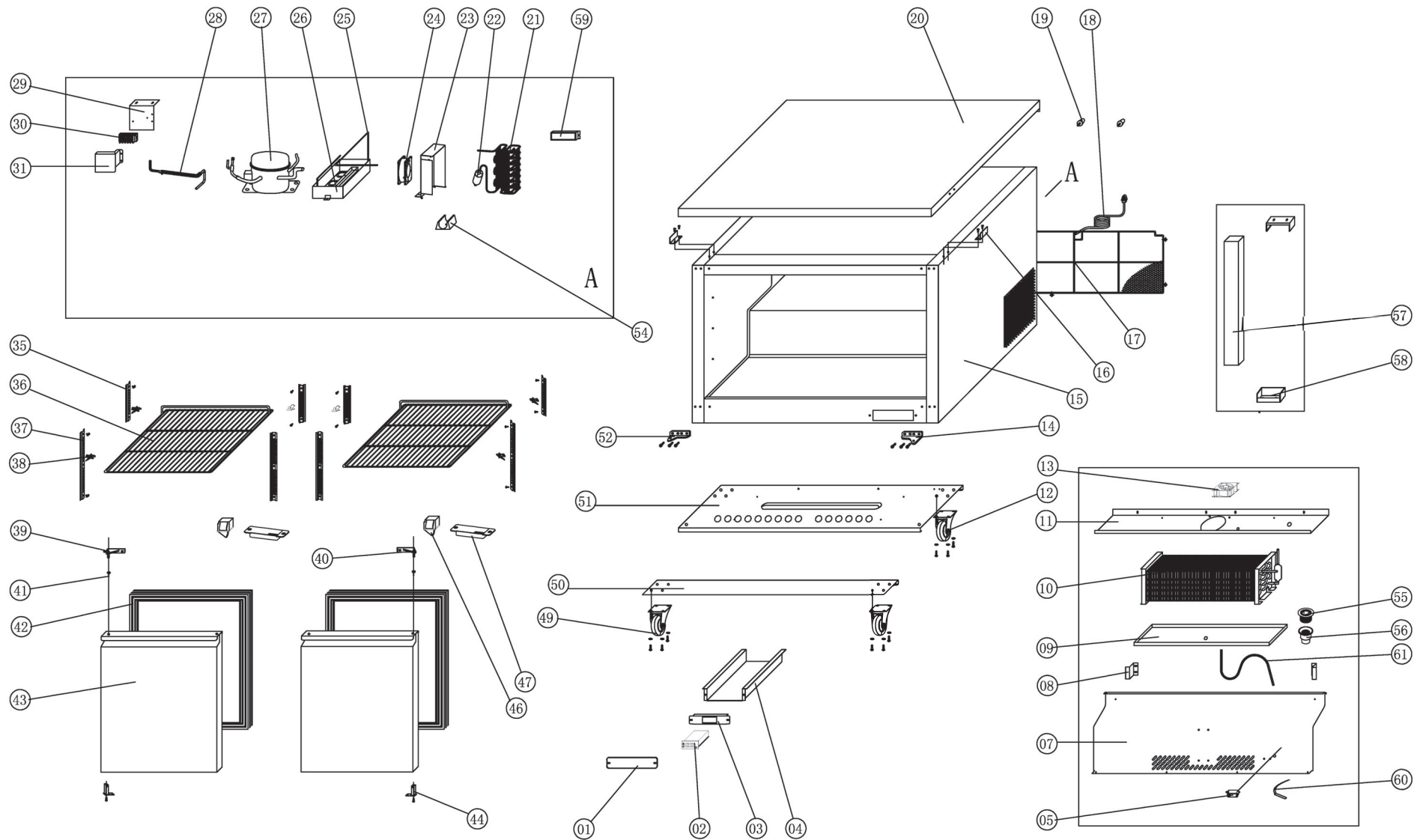
No.	PART #	DESCRIPTION	QTY	No.	PART #	DESCRIPTION	QTY
1	H108060074	CONTROLLER PROTECTOR COVER	1	30	H00215	TERMINAL BLOCK, 5 POLE	1
2	H00219-2	CONTROLLER, DIXELL (XR20CX-4R0F1)	1	31	NON STOCKING	COVER	1
3	NON STOCKING	THERMOSTAT MOUNTING BOARD	1	35	H03342	PILASTER	4
4	NON STOCKING	THERMOSTAT BOX	1	36	H01309	SHELF, LEFT & RIGHT (21.18" X 16.73")	2
5	H00335	SENSOR CLIP	1	37	H01342	PILASTER	4
7	H03152	EVAPORATOR COVER	1	38	C3234860	PILASTER CLIP	8
8	NON STOCKING	EVAPORATOR MOUNTING BRACKET	2	39	C01327	HINGE, TOP LEFT	1
9	H03142-1	DRAIN PAN, EVAPORATOR	1	40	C02327	HINGE, TOP RIGHT	1
10	HC1350R	EVAPORATOR COIL (20.87" X 5.90")	1	41	H00327B	HINGE BUSHING	2
11	HC01135	EVAPORATOR FAN SUPPORT	1	41	H00327	HINGE PIN W/NUT & BUSHING	2
12	H01317	CASTER 2.5" DIAMETER WHEEL, WITH OUT BRAKE	2	42	HC2325	GASKET 22-1/2 X 26-1/4 BLACK	2
13	HC0117	EVAPORATOR FAN MOTOR (MOD 12539JE-12K-BA, DC12V .21A)	1	43	HC1324	DOOR, LEFT OR RIGHT, 48" AFTER SN 1807	2
14	C02327RB	HINGE, LOWER RIGHT	1	44	H00328-1	HINGE CARTRIDGE, SELF CLOSING	2
15	NON STOCKING	CABINET	1	46	HC10000	DOOR SWITCH	2
16	NON STOCKING	MAIN TOP BRACKET	2	47	HC10001	DOOR SWITCH CASE	2
17	H01315	REAR COMPARTMENT COVER	1	49	H01316	CASTER 2.5" DIAMETER WHEEL, WITH BRAKE	2
18	C2194681	POWER CORD, 18AWG/NEMA 5-15P	1	50	NON STOCKING	CASTER SUPPORT CHANEL	1
19	H02315	REAR WALL SPACER	1	51	NON STOCKING	MAIN BASE PANEL	1
20	NON STOCKING	MAIN TOP	1	52	C01327LB	HINGE, LOWER LEFT	1
21	HC2347-1	CONDENSER COIL (SC-252/318)	1	54	NON STOCKING	DRIER SUPPORT	1
22	RD0341	FILTER DRIER	1	55	G30001	DRAIN CONNECTOR (MALE)	1
23	NON STOCKING	CONDENSER COVER	1	56	G30001F	DRAIN CONNECTOR (FEMALE)	1
24	H01110	CONDENSER FAN MOTOR, BOX STYLE, (1238, 120VAC, 6W, 3100RPM)	1	57	HC00020	CENTER MULLION	1
25	HC0126	EVAPORATOR PIPE	1	58	HC00115	CENTER MULLION BRACKET	2
26	C30012	CONDENSER DRAIN PAN	1	59	H104070144	LED POWER SUPPLY, APV-8-12 (12V/8W)	1
27	H00034F	COMPRESSOR (HDL140D) W/ FILTER DRYER	1	60	H00205	TEMPERATURE SENSOR NTC TYPE (118" LENGTH)	1
27	H00227	START KIT FOR HDL140D	1	60	H00232	SENSOR CONNECTOR	1
27	H01301	CAP TUBE (.039" X 118.11")	1	60	H00205	TEMPERATURE SENSOR NTC TYPE (118" LENGTH)	1
28	HC0138	SUCTION PIPE	1	60	H00199	TEMPERATURE SENSOR NTC TYPE	1
29	NON STOCKING	BRACKET	1	61	HC0396	DRAIN PIPE	1



UF48-HC

Parts List for Model: UF48-HC

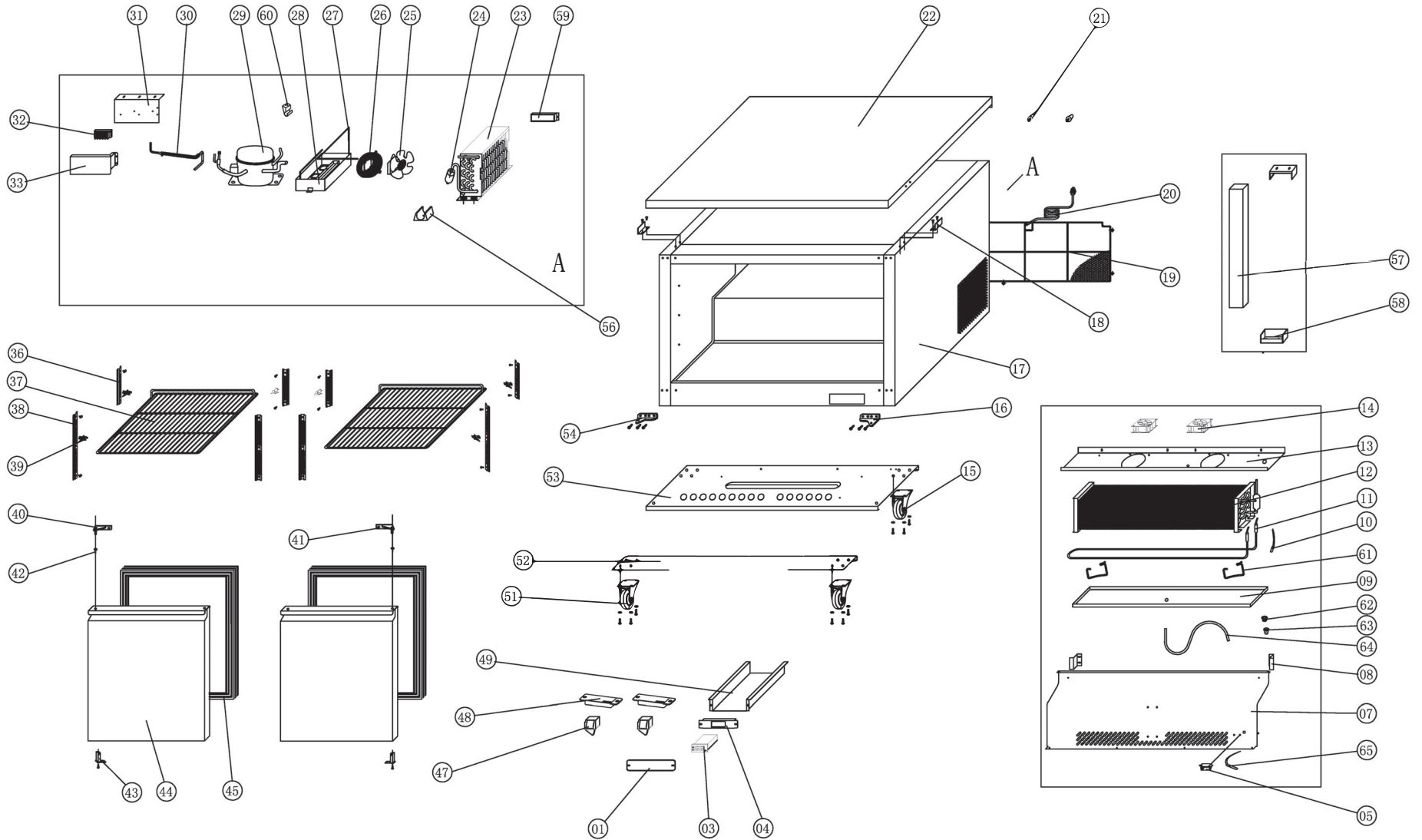
No.	PART #	DESCRIPTION	QTY	No.	PART #	DESCRIPTION	QTY
1	H108060074	CONTROLLER PROTECTOR COVER	1	33	NON STOCKING	COVER	1
3	HC0204	CONTROLLER, DIXELL (XR60CX-4R0F1)	1	36	H03342	PILASTER	4
4	NON STOCKING	THERMOSTAT MOUNTING BOARD	1	37	H01309	SHELF, LEFT & RIGHT (21.18" X 16.73")	2
5	H00335	SENSOR CLIP	1	38	H01342	PILASTER	4
7	H03152	EVAPORATOR COVER	1	39	C3234860	PILASTER CLIP	8
8	NON STOCKING	EVAPORATOR MOUNTING BRACKET	2	40	C01327	HINGE, TOP LEFT	1
9	H01143	DRAIN PAN, EVAPORATOR (36.25" X 5" X 1")	1	41	C02327	HINGE, TOP RIGHT	1
10	H00207	FUSE, THERMAL, DEFROST HEATER	1	42	H00327B	HINGE BUSHING	2
11	HC1203	DEFROST HEATING ELEMENT	1	42	H00327	HINGE PIN W/NUT & BUSHING	2
12	HC1351F	EVAPORATOR COIL	1	43	H00328-1	HINGE CARTRIDGE, SELF CLOSING	2
13	HC1359	EVAPORATOR FAN SUPPORT	1	44	HC1324	DOOR, LEFT OR RIGHT, 48" AFTER SN 1807	2
14	HC0117	EVAPORATOR FAN MOTOR (MOD 12539JE-12K-BA, DC12V .21A)	2	45	HC2325	GASKET 22-1/2 X 26-1/4 BLACK	2
15	H01317	CASTER 2.5" DIAMETER WHEEL, WITH OUT BRAKE	2	47	HC10000	DOOR SWITCH	2
16	C02327RB	HINGE, LOWER RIGHT	1	48	HC10001	DOOR SWITCH CASE	2
17	NON STOCKING	CABINET	1	49	NON STOCKING	THERMOSTAT BOX	1
18	NON STOCKING	MAIN TOP BRACKET	2	51	H01316	CASTER 2.5" DIAMETER WHEEL, WITH BRAKE	2
19	H01315	REAR COMPARTMENT COVER	1	52	NON STOCKING	CASTER SUPPORT CHANEL	1
20	C2194681	POWER CORD, 18AWG/NEMA 5-15P	1	53	NON STOCKING	MAIN BASE PANEL	1
21	H02315	REAR WALL SPACER	2	54	C01327LB	HINGE, LOWER LEFT	1
22	NON STOCKING	MAIN TOP	1	56	NON STOCKING	DRIER SUPPORT	1
23	HC0341	CONDENSER COIL	1	57	HC00121	CENTER MULLION	1
24	RD0341	FILTER DRIER	1	58	HC00115	CENTER MULLION BRACKET	2
25	H00125	CONDENSER FAN MOTOR, BD03-04/CO6 (5W)	1	59	H104070144	LED POWER SUPPLY, APV-8-12 (12V/8W)	1
25	HC0117-1	CONDENSER FAN BLADE (V172)	1	60	NON STOCKING	DRAIN CLIP	1
26	RD00111	CONDENSER FAN COVER (V172)	1	61	NON STOCKING	HEAT ELEMENT CLIP	2
27	HC0127	EVAPORATOR PIPE	1	62	G30001	DRAIN CONNECTOR (MALE)	1
28	C30012	CONDENSER DRAIN PAN	1	63	G30001F	DRAIN CONNECTOR (FEMALE)	1
29	H00039F	COMPRESSOR (EM2X3125U) W/ FILTER DRYER	1	64	HC0391	DRAIN PIPE	1
29	H00228	START KIT FOR EM2X3125U	1	65	H00205	TEMPERATURE SENSOR NTC TYPE (118" LENGTH)	1
29	H01306	CAP TUBE (.035" X 78.75")	1	65	H00232	SENSOR CONNECTOR	1
30	HC0139	SUCTION PIPE	1	65	H00205	TEMPERATURE SENSOR NTC TYPE (118" LENGTH)	1
31	NON STOCKING	BRACKET	1	65	H00199	TEMPERATURE SENSOR NTC TYPE	1
32	H00215	TERMINAL BLOCK, 5 POLE	1				



UR48-SI-HC

Parts List for Model: UR48-SI-HC

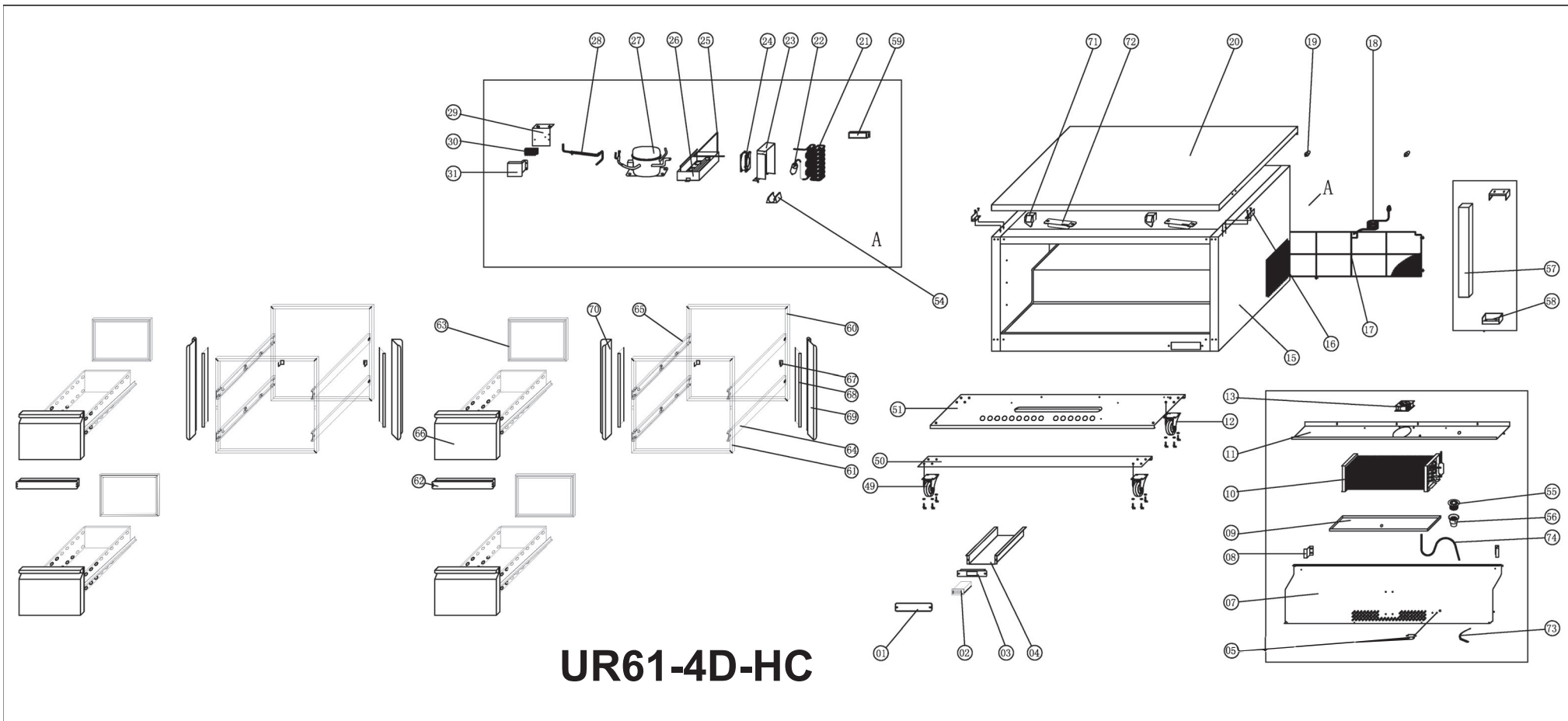
No.	PART #	DESCRIPTION	QTY	No.	PART #	DESCRIPTION	QTY
1	H108060074	CONTROLLER PROTECTOR COVER	1	30	H00215	TERMINAL BLOCK, 5 POLE	1
2	H00219-2	CONTROLLER, DIXELL (XR20CX-4R0F1)	1	31	NON STOCKING	COVER	1
3	NON STOCKING	THERMOSTAT MOUNTING BOARD	1	35	H03342	PILASTER	4
4	NON STOCKING	THERMOSTAT BOX	1	36	H01309	SHELF, LEFT & RIGHT (21.18" X 16.73")	2
5	H03335	SENSOR FIXED CLIP	1	37	H01342	PILASTER	4
7	H03152S	COVER, EVAPORATOR (SS INTERIOR)	1	38	C3234860	PILASTER CLIP	8
8	NON STOCKING	EVAPORATOR MOUNTING BRACKET	2	39	C01327	HINGE, TOP LEFT	1
9	H03142-1	DRAIN PAN, EVAPORATOR	1	40	C02327	HINGE, TOP RIGHT	1
10	HC1350R	EVAPORATOR COIL (20.87" X 5.90")	1	41	H00327B	HINGE BUSHING	2
11	HC01135	EVAPORATOR FAN SUPPORT	1	41	H00327	HINGE PIN W/NUT & BUSHING	2
12	H01317	CASTER 2.5" DIAMETER WHEEL, WITH OUT BRAKE	2	42	HC2325	GASKET 22-1/2 X 26-1/4 BLACK	2
13	HC0117	EVAPORATOR FAN MOTOR (MOD 12539JE-12K-BA, DC12V .21A)	1	43	HC1324S-2	DOOR, LEFT OR RIGHT (SI)	2
14	C02327RB	HINGE, LOWER RIGHT	1	44	H00328-1	HINGE CARTRIDGE, SELF CLOSING	2
15	NON STOCKING	CABINET	1	46	HC10000	DOOR SWITCH	2
16	NON STOCKING	MAIN TOP BRACKET	2	47	HC10001	DOOR SWITCH CASE	2
17	H01315	REAR COMPARTMENT COVER	1	49	H01316	CASTER 2.5" DIAMETER WHEEL, WITH BRAKE	2
18	C2194681	POWER CORD, 18AWG/NEMA 5-15P	1	50	NON STOCKING	CASTER SUPPORT CHANEL	1
19	H02315	REAR WALL SPACER	1	51	NON STOCKING	MAIN BASE PANEL	1
20	NON STOCKING	MAIN TOP	1	52	C01327LB	HINGE, LOWER LEFT	1
21	HC2347-1	CONDENSER COIL (SC-252/318)	1	54	NON STOCKING	DRIER SUPPORT	1
22	RD0341	FILTER DRIER	1	55	G30001	DRAIN CONNECTOR (MALE)	1
23	NON STOCKING	CONDENSER COVER	1	56	G30001F	DRAIN CONNECTOR (FEMALE)	1
24	H01110	CONDENSER FAN MOTOR, BOX STYLE, (1238, 120VAC, 6W, 3100RPM)	1	57	HC00020	CENTER MULLION	1
25	HC0126	EVAPORATOR PIPE	1	58	HC00115	CENTER MULLION BRACKET	2
26	C30012	CONDENSER DRAIN PAN	1	59	H104070144	LED POWER SUPPLY, APV-8-12 (12V/8W)	1
27	H00034F	COMPRESSOR (HDL140D) W/ FILTER DRYER	1	60	H00205	TEMPERATURE SENSOR NTC TYPE (118" LENGTH)	1
27	H00227	START KIT FOR HDL140D	1	60	H00232	SENSOR CONNECTOR	1
27	H01301	CAP TUBE (.039" X 118.11")	1	60	H00205	TEMPERATURE SENSOR NTC TYPE (118" LENGTH)	1
28	HC0138	SUCTION PIPE	1	60	H00199	TEMPERATURE SENSOR NTC TYPE	1
29	NON STOCKING	BRACKET	1	61	HC0396	DRAIN PIPE	1



UF48-SI-HC

Parts List for Model: UF48-SI-HC

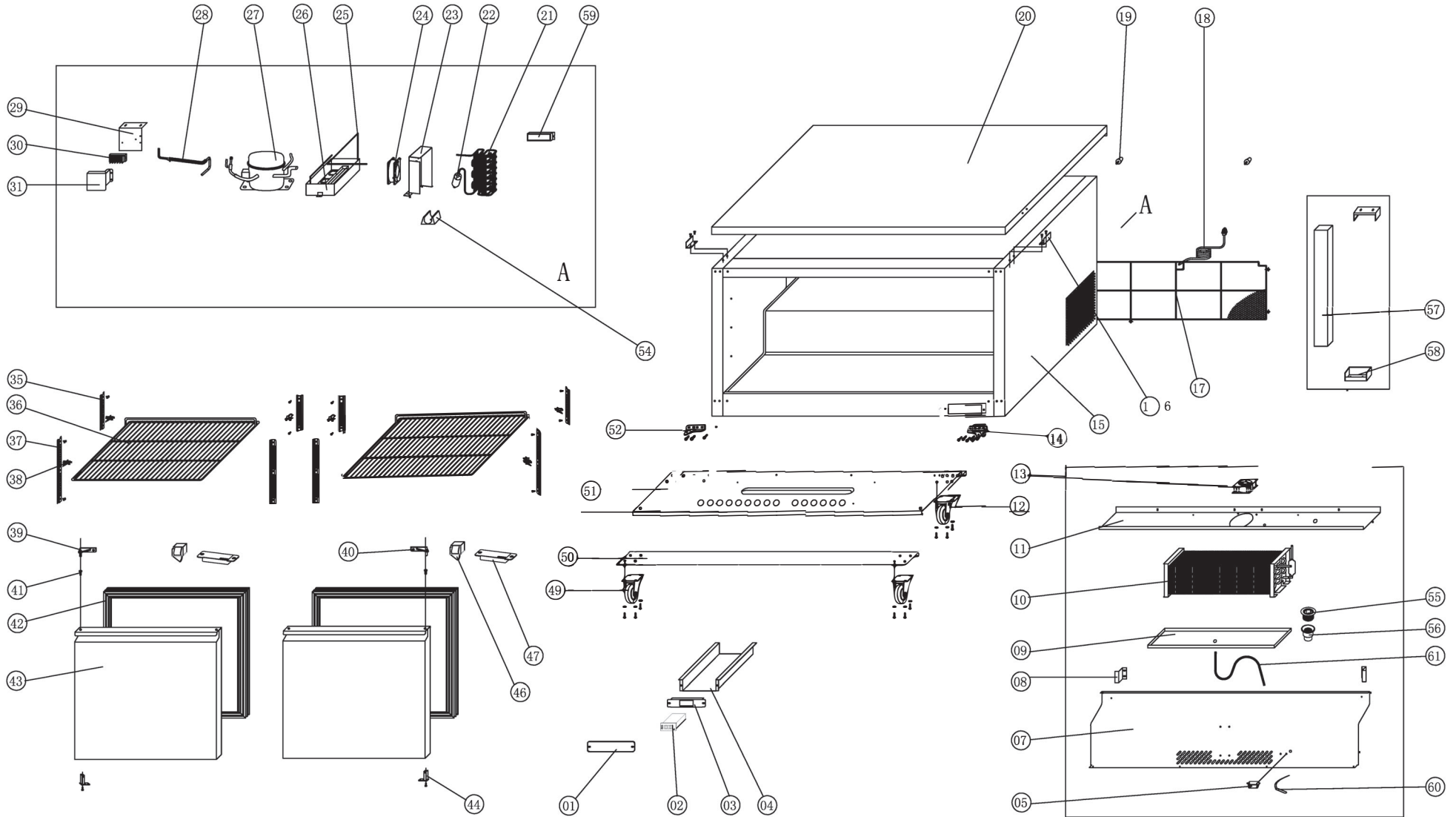
No.	PART #	DESCRIPTION	QTY	No.	PART #	DESCRIPTION	QTY
1	H108060074	CONTROLLER PROTECTOR COVER	1	33	NON STOCKING	COVER	1
3	HC0204	CONTROLLER, DIXELL (XR60CX-4R0F1)	1	36	H03342	PILASTER	4
4	NON STOCKING	THERMOSTAT MOUNTING BOARD	1	37	H01309	SHELF, LEFT & RIGHT (21.18" X 16.73")	2
5	H03335	SENSOR FIXED CLIP	1	38	H01342	PILASTER	4
7	H03152S-1	COVER, EVAPORATOR (SS INTERIOR)	1	39	C3234860	PILASTER CLIP	8
8	NON STOCKING	EVAPORATOR MOUNTING BRACKET	2	40	C01327	HINGE, TOP LEFT	1
9	H01143	DRAIN PAN, EVAPORATOR (36.25" X 5" X 1")	1	41	C02327	HINGE, TOP RIGHT	1
10	H00207	FUSE, THERMAL, DEFROST HEATER	1	42	H00327B	HINGE BUSHING	2
11	HC1203	DEFROST HEATING ELEMENT	1	42	H00327	HINGE PIN W/NUT & BUSHING	2
12	HC1351F	EVAPORATOR COIL	1	43	H00328-1	HINGE CARTRIDGE, SELF CLOSING	2
13	HC1359	EVAPORATOR FAN SUPPORT	1	44	HC1324S-1	DOOR, LEFT OR RIGHT (SI)	2
14	HC0117	EVAPORATOR FAN MOTOR (MOD 12539JE-12K-BA, DC12V .21A)	2	45	HC2325	GASKET 22-1/2 X 26-1/4 BLACK	2
15	H01317	CASTER 2.5" DIAMETER WHEEL, WITH OUT BRAKE	2	47	HC10000	DOOR SWITCH	2
16	C02327RB	HINGE, LOWER RIGHT	1	48	HC10001	DOOR SWITCH CASE	2
17	NON STOCKING	CABINET	1	49	NON STOCKING	THERMOSTAT BOX	1
18	NON STOCKING	MAIN TOP BRACKET	2	51	H01316	CASTER 2.5" DIAMETER WHEEL, WITH BRAKE	2
19	H01315	REAR COMPARTMENT COVER	1	52	NON STOCKING	CASTER SUPPORT CHANEL	1
20	C2194681	POWER CORD, 18AWG/NEMA 5-15P	1	53	NON STOCKING	MAIN BASE PANEL	1
21	H02315	REAR WALL SPACER	2	54	C01327LB	HINGE, LOWER LEFT	1
22	NON STOCKING	MAIN TOP	1	56	NON STOCKING	DRIER SUPPORT	1
23	HC0341	CONDENSER COIL	1	57	HC00121	CENTER MULLION	1
24	RD0341	FILTER DRIER	1	58	HC00115	CENTER MULLION BRACKET	2
25	H00125	CONDENSER FAN MOTOR, BD03-04/CO6 (5W)	1	59	H104070144	LED POWER SUPPLY, APV-8-12 (12V/8W)	1
25	HC0117-1	CONDENSER FAN BLADE (V172)	1	60	NON STOCKING	DRAIN CLIP	1
26	RD00111	CONDENSER FAN COVER (V172)	1	61	NON STOCKING	HEAT ELEMENT CLIP	2
27	HC0127	EVAPORATOR PIPE	1	62	G30001	DRAIN CONNECTOR (MALE)	1
28	C30012	CONDENSER DRAIN PAN	1	63	G30001F	DRAIN CONNECTOR (FEMALE)	1
29	H00039F	COMPRESSOR (EM2X3125U) W/ FILTER DRYER	1	64	HC0391	DRAIN PIPE	1
29	H00228	START KIT FOR EM2X3125U	1	65	H00205	TEMPERATURE SENSOR NTC TYPE (118" LENGTH)	1
29	H01306	CAP TUBE (.035" X 78.75")	1	65	H00232	SENSOR CONNECTOR	1
30	HC0139	SUCTION PIPE	1	65	H00205	TEMPERATURE SENSOR NTC TYPE (118" LENGTH)	1
31	NON STOCKING	BRACKET	1	65	H00199	TEMPERATURE SENSOR NTC TYPE	1
32	H00215	TERMINAL BLOCK, 5 POLE	1				



UR61-4D-HC

Parts List for Model: UR61-4D-HC

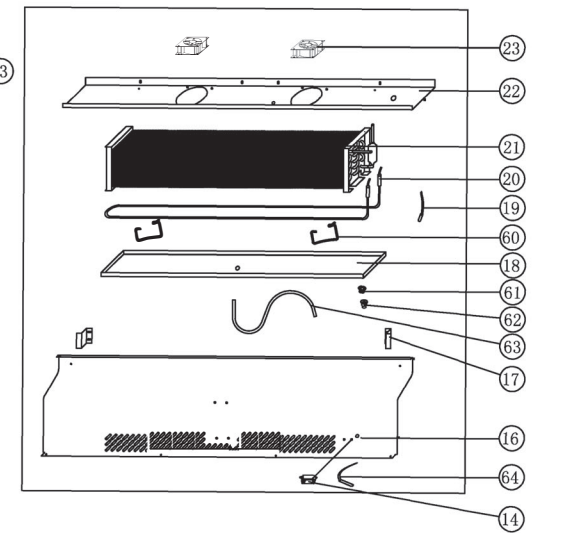
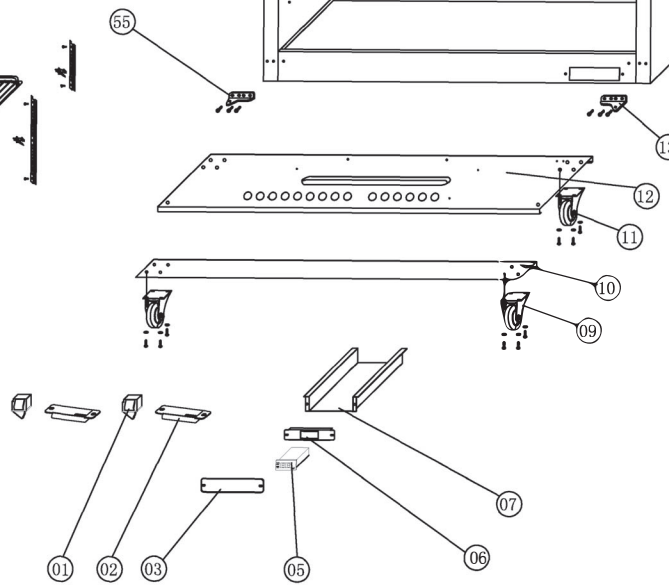
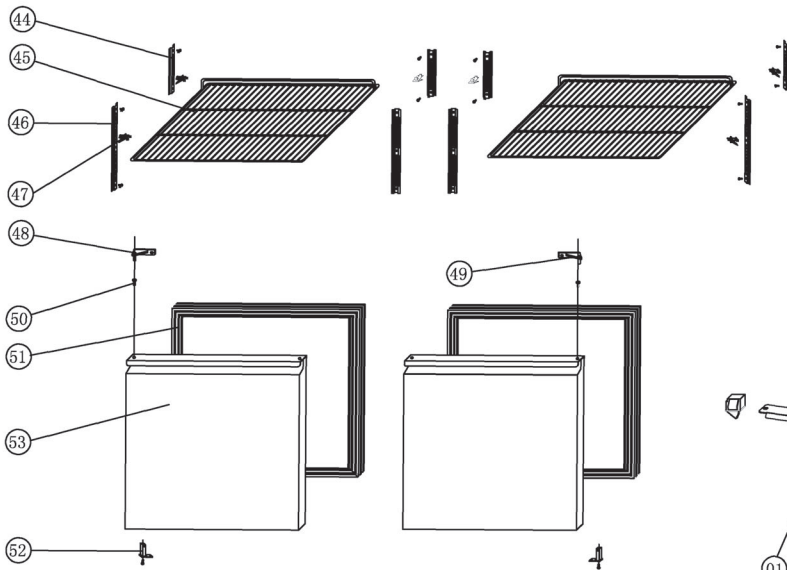
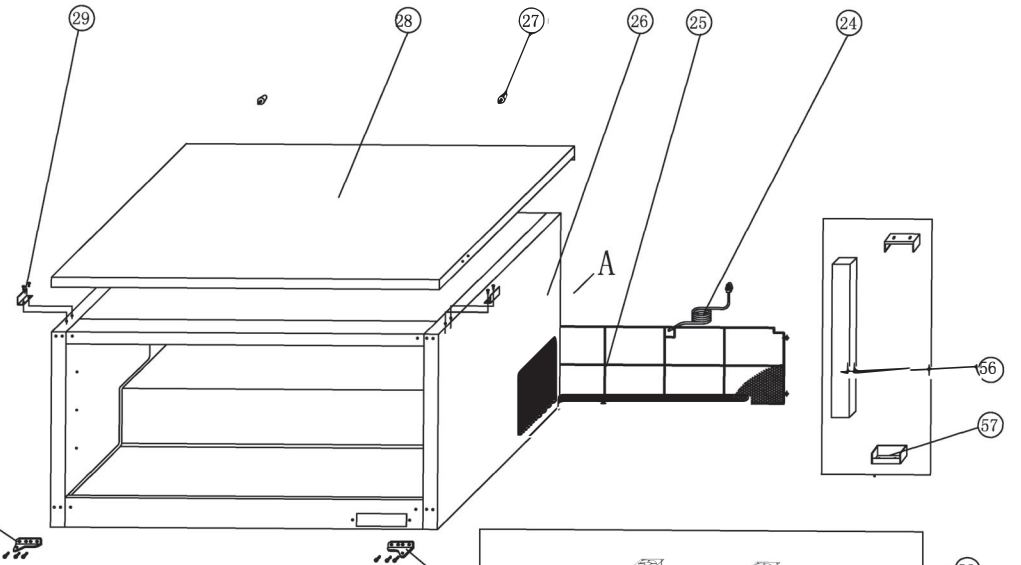
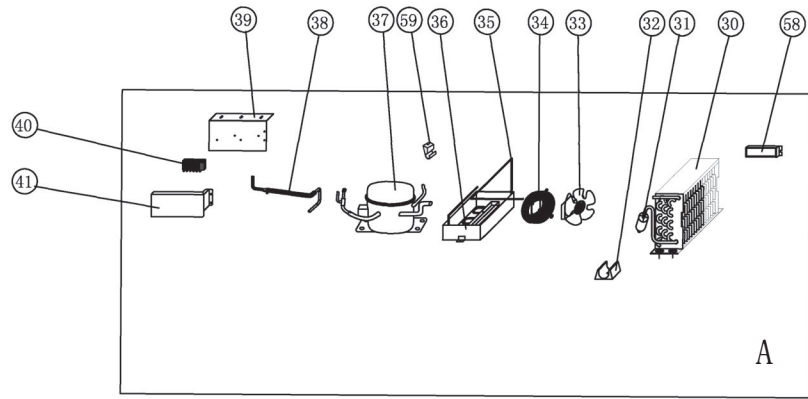
No.	PART #	DESCRIPTION	QTY	No.	PART #	DESCRIPTION	QTY
1	H108060074	CONTROLLER PROTECTOR COVER	1	30	H00215	TERMINAL BLOCK, 5 POLE	1
2	H00219-2	CONTROLLER, DIXELL (XR20CX-4R0F1)	1	31	NON STOCKING	COVER	1
3	NON STOCKING	THERMOSTAT MOUNTING BOARD	1	49	H01316	CASTER 2.5" DIAMETER WHEEL, WITH BRAKE	2
4	NON STOCKING	THERMOSTAT BOX	1	50	NON STOCKING	CASTER SUPPORT CHANEL	1
5	H00335	SENSOR CLIP	1	51	NON STOCKING	MAIN BASE PANEL	1
7	H03155	EVAPORATOR COVER	1	54	NON STOCKING	DRIER SUPPORT	1
8	NON STOCKING	EVAPORATOR MOUNTING BRACKET	2	55	G30001	DRAIN CONNECTOR (MALE)	1
9	H03142-1	DRAIN PAN, EVAPORATOR	1	56	G30001F	DRAIN CONNECTOR (FEMALE)	1
10	HC1352R	EVAPORATOR COIL (20.87" X 13.78")	1	57	HC00020	CENTER MULLION	1
11	H01137	EVAPORATOR FAN SUPPORT	1	58	HC00115	CENTER MULLION BRACKET	2
12	H01317	CASTER 2.5" DIAMETER WHEEL, WITH OUT BRAKE	2	59	H104070144	LED POWER SUPPLY, APV-8-12 (12V/8W)	1
13	HC0117	EVAPORATOR FAN MOTOR (MOD 12539JE-12K-BA, DC12V .21A)	1	60	RD6020	BACK FRAME	2
15	NON STOCKING	CABINET	1	61	RD6023	FRONT FRAME	2
16	NON STOCKING	MAIN TOP BRACKET	2	62	RD6005-1	BRIDGE	2
17	H02313	REAR COMPARTMENT COVER	1	63	RD6002-1	GASKET, DRAWER	4
18	C2194681	POWER CORD, 18AWG/NEMA 5-15P	1	64	RD0002	GUIDE (RIGHT)	4
19	H02315	REAR WALL SPACER	2	65	RD0001	GUIDE (LEFT)	4
20	NON STOCKING	MAIN TOP	1	66	RD6006-1	DRAWER FRONT PANEL	4
21	HC2347-1	CONDENSER COIL (SC-252/318)	1	66	RD6006-6	DRAWER FRAME	4
22	RD0341	FILTER DRIER	1	67	RD2921-1	FRAME, FIXED CLIP	4
23	NON STOCKING	CONDENSER COVER	1	68	RD2922-1	DRAWER SUPPORT	4
24	H01110	CONDENSER FAN MOTOR, BOX STYLE, (1238, 120VAC, 6W, 3100RPM)	1	69	RD2924	FRONT SUPPORT	4
25	HC0126	EVAPORATOR PIPE	1	70	RD2925	INSIDE SUPPORT	2
26	C30012	CONDENSER DRAIN PAN	1	71	HC10000	DOOR SWITCH	2
27	H00034F	COMPRESSOR (HDL140D) W/ FILTER DRYER	1	72	HC10001	DOOR SWITCH CASE	2
27	H00227	START KIT FOR HDL140D	1	73	H00205	TEMPERATURE SENSOR NTC TYPE (118" LENGTH)	1
27	H01301	CAP TUBE (.039" X 118.11")	1	73	H00232	SENSOR CONNECTOR	1
28	HC0150	SUCTION PIPE	1	73	H00205	TEMPERATURE SENSOR NTC TYPE (118" LENGTH)	1
29	NON STOCKING	BRACKET	1	73	H00199	TEMPERATURE SENSOR NTC TYPE	1
				74	HC0396	DRAIN PIPE	1



UR61-HC

Parts List for Model: UR61-HC

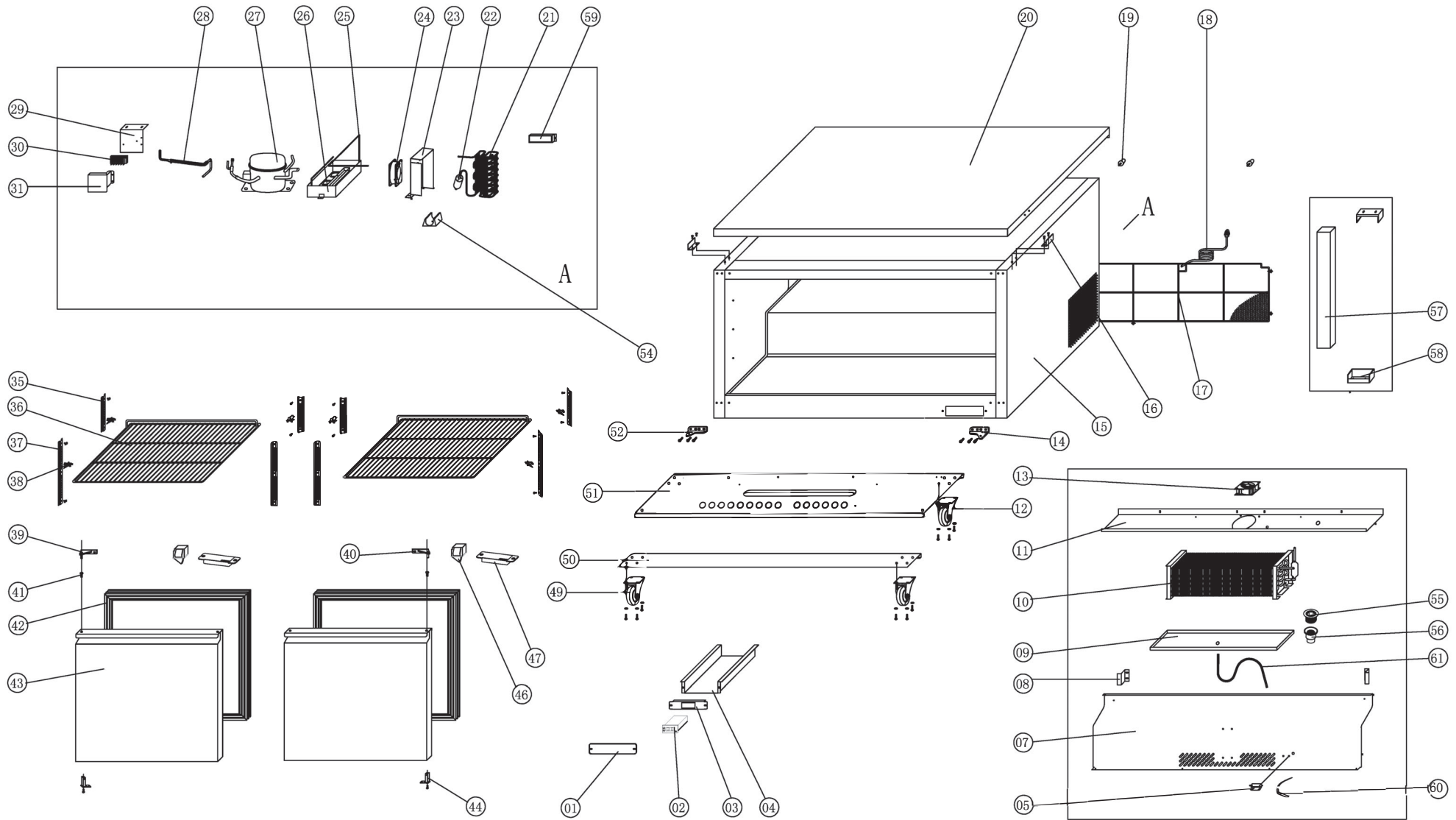
No.	PART #	DESCRIPTION	QTY	No.	PART #	DESCRIPTION	QTY
1	H108060074	CONTROLLER PROTECTOR COVER	1	30	H00215	TERMINAL BLOCK, 5 POLE	1
2	H00219-2	CONTROLLER, DIXELL (XR20CX-4R0F1)	1	31	NON STOCKING	COVER	1
3	NON STOCKING	THERMOSTAT MOUNTING BOARD	1	35	H03342	PILASTER	4
4	NON STOCKING	THERMOSTAT BOX	1	36	H01310	SHELF, LEFT AND RIGHT (27.68" X 16.73")	2
5	H00335	SENSOR CLIP	1	37	H01342	PILASTER	4
7	H03155	EVAPORATOR COVER	1	38	C3234860	PILASTER CLIP	8
8	NON STOCKING	EVAPORATOR MOUNTING BRACKET	2	39	C01327	HINGE, TOP LEFT	1
9	H03142-1	DRAIN PAN, EVAPORATOR	1	40	C02327	HINGE, TOP RIGHT	1
10	HC1352R	EVAPORATOR COIL (20.87" X 13.78")	1	41	H00327B	HINGE BUSHING	2
11	H01137	EVAPORATOR FAN SUPPORT	1	41	H00327	HINGE PIN W/NUT & BUSHING	2
12	H01317	CASTER 2.5" DIAMETER WHEEL, WITH OUT BRAKE	2	42	HC1326	GASKET 26-1/4 X 29 BLACK	2
13	HC0117	EVAPORATOR FAN MOTOR (MOD 12539JE-12K-BA, DC12V .21A)	1	43	HC2323	DOOR, LEFT OR RIGHT, 60" AFTER SN 1807	2
14	C02327RB	HINGE, LOWER RIGHT	1	44	H00328-1	HINGE CARTRIDGE, SELF CLOSING	2
15	NON STOCKING	CABINET	1	46	HC10000	DOOR SWITCH	2
16	NON STOCKING	MAIN TOP BRACKET	2	47	HC10001	DOOR SWITCH CASE	2
17	H02313	REAR COMPARTMENT COVER	1	49	H01316	CASTER 2.5" DIAMETER WHEEL, WITH BRAKE	2
18	C2194681	POWER CORD, 18AWG/NEMA 5-15P	1	50	NON STOCKING	CASTER SUPPORT CHANEL	1
19	H02315	REAR WALL SPACER	2	51	NON STOCKING	MAIN BASE PANEL	1
20	NON STOCKING	MAIN TOP	1	52	C01327LB	HINGE, LOWER LEFT	1
21	HC2347-1	CONDENSER COIL (SC-252/318)	1	54	NON STOCKING	DRIER SUPPORT	1
22	RD0341	FILTER DRIER	1	55	G30001	DRAIN CONNECTOR (MALE)	1
23	NON STOCKING	CONDENSER COVER	1	56	G30001F	DRAIN CONNECTOR (FEMALE)	1
24	H01110	CONDENSER FAN MOTOR, BOX STYLE, (1238, 120VAC, 6W, 3100RPM)	1	57	HC00020	CENTER MULLION	1
25	HC0126	EVAPORATOR PIPE	1	58	HC00115	CENTER MULLION BRACKET	2
26	C30012	CONDENSER DRAIN PAN	1	59	H104070144	LED POWER SUPPLY, APV-8-12 (12V/8W)	1
27	H00034F	COMPRESSOR (HDL140D) W/ FILTER DRYER	1	60	H00205	TEMPERATURE SENSOR NTC TYPE (118" LENGTH)	1
27	H00227	START KIT FOR HDL140D	1	60	H00232	SENSOR CONNECTOR	1
27	H01301	CAP TUBE (.039" X 118.11")	1	60	H00205	TEMPERATURE SENSOR NTC TYPE (118" LENGTH)	1
28	HC0150	SUCTION PIPE	1	60	H00199	TEMPERATURE SENSOR NTC TYPE	1
29	NON STOCKING	BRACKET	1	61	HC0396	DRAIN PIPE	1



UF61-HC

Parts List for Model: UF61-HC

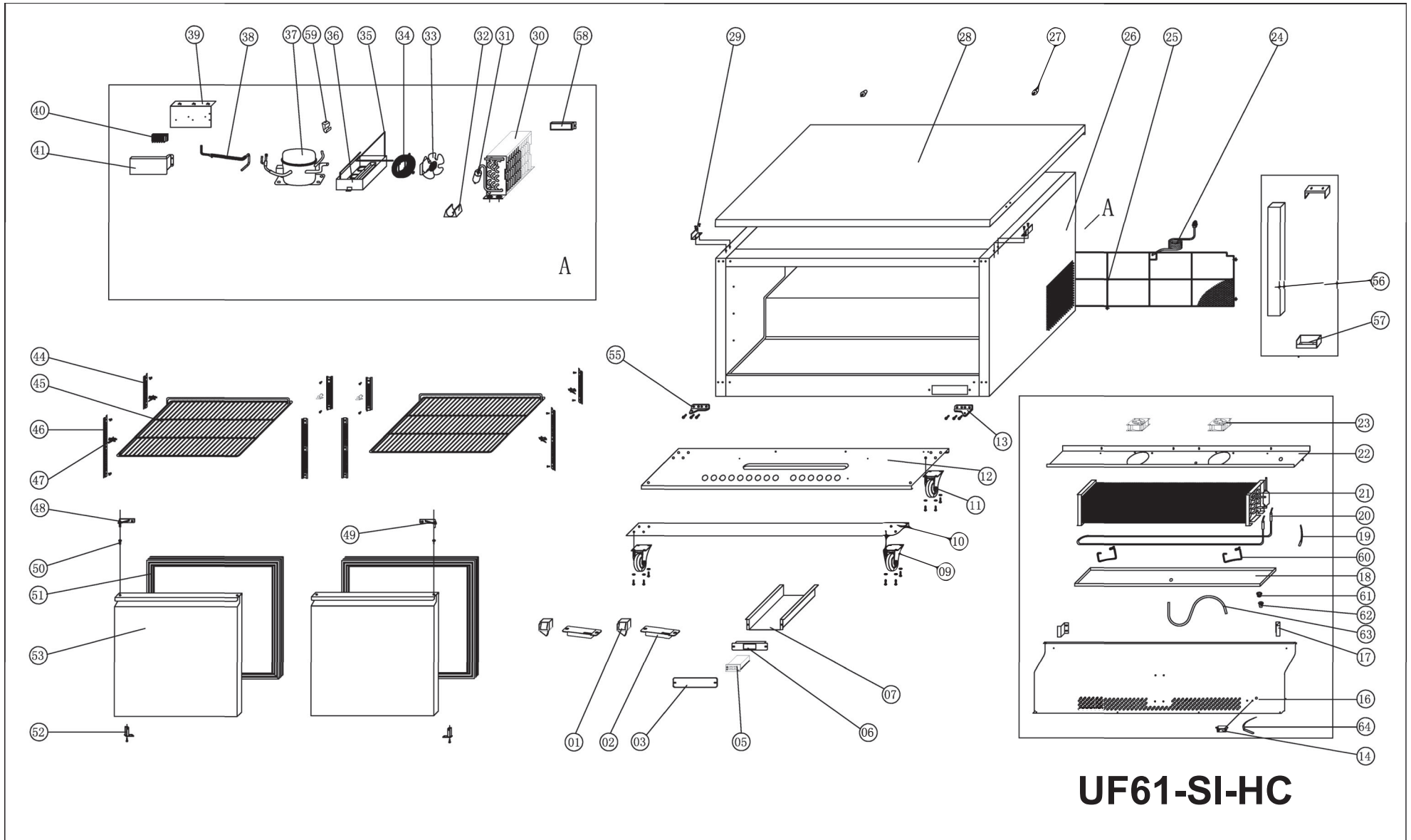
No.	PART #	DESCRIPTION	QTY	No.	PART #	DESCRIPTION	QTY
1	HC10000	DOOR SWITCH	2	35	HC0128	EVAPORATOR PIPE	1
2	HC10001	DOOR SWITCH CASE	2	36	C30012	CONDENSER DRAIN PAN	1
3	H108060074	CONTROLLER PROTECTOR COVER	1	37	H00037F	COMPRESSOR (NEU2140U) W/ FILTER DRYER	1
5	HC0204	CONTROLLER, DIXELL (XR60CX-4R0F1)	1	37	H00037K	START KIT FOR NEU2140U	1
6	NON STOCKING	THERMOSTAT MOUNTING BOARD	1	37	H03304	CAP TUBE (.035" X 86.61")	1
7	NON STOCKING	THERMOSTAT BOX	1	38	HC0152	SUCTION PIPE	1
9	H01316	CASTER 2.5" DIAMETER WHEEL, WITH BRAKE	2	39	NON STOCKING	BRACKET	1
10	NON STOCKING	CASTER SUPPORT CHANEL	1	40	H00215	TERMINAL BLOCK, 5 POLE	1
11	H01317	CASTER 2.5" DIAMETER WHEEL, WITH OUT BRAKE	2	41	NON STOCKING	COVER	1
12	NON STOCKING	GUIDE LEFT	1	44	H03342	PILASTER	4
13	C02327RB	HINGE, LOWER RIGHT	1	45	H01310	SHELF, LEFT AND RIGHT (27.68" X 16.73")	2
14	H00335	SENSOR CLIP	1	46	H01342	PILASTER	4
16	H03154	EVAPORATOR COVER	1	47	C3234860	PILASTER CLIP	8
17	NON STOCKING	EVAPORATOR MOUNTING BRACKET	2	48	C01327	HINGE, TOP LEFT	1
18	H01144	EVAPORATOR DRAIN PAN (43.3" X 5" X 1")	1	49	C02327	HINGE, TOP RIGHT	1
19	H00207	FUSE, THERMAL, DEFROST HEATER	1	50	H00327B	HINGE BUSHING	2
20	HC1202	DEFROST HEATING ELEMENT	1	50	H00327	HINGE PIN W/NUT & BUSHING	2
21	HC1354F	EVAPORATOR COIL (36.22" X 5.9")	1	51	HC1326	GASKET 26-1/4 X 29 BLACK	1
22	HC1360	EVAPORATOR FAN SUPPORT	1	52	H00328-1	HINGE CARTRIDGE, SELF CLOSING	2
23	HC0117	EVAPORATOR FAN MOTOR (MOD 12539JE-12K-BA, DC12V .21A)	2	53	HC2323	DOOR, LEFT OR RIGHT, 60" AFTER SN 1807	2
24	C2194681	POWER CORD, 18AWG/NEMA 5-15P	1	55	C01327LB	HINGE, LOWER LEFT	1
25	H02313	REAR COMPARTMENT COVER	1	56	HC00121	CENTER MULLION	1
26	NON STOCKING	CABINET	1	57	HC00115	CENTER MULLION BRACKET	2
27	H02315	REAR WALL SPACER	2	58	H104070144	LED POWER SUPPLY, APV-8-12 (12V/8W)	1
28	NON STOCKING	MAIN TOP	1	59	NON STOCKING	DRAIN CLIP	1
29	NON STOCKING	MAIN TOP BRACKET	2	60	NON STOCKING	HEAT ELEMENT CLIP	2
30	HC0341	CONDENSER COIL	1	61	G30001	DRAIN CONNECTOR (MALE)	1
31	RD0341	FILTER DRIER	1	62	G30001F	DRAIN CONNECTOR (FEMALE)	1
32	NON STOCKING	DRIER SUPPORT	1	63	HC0391	DRAIN PIPE	1
33	H00125	CONDENSER FAN MOTOR, BD03-04/CO6 (5W)	1	64	H00205	TEMPERATURE SENSOR NTC TYPE (118" LENGTH)	1
33	HC0117-1	CONDENSER FAN BLADE (V172)	1	64	H00232	SENSOR CONNECTOR	1
34	RD00111	CONDENSER FAN COVER (V172)	1	64	H00205	TEMPERATURE SENSOR NTC TYPE (118" LENGTH)	1
				64	H00199	TEMPERATURE SENSOR NTC TYPE	1



UR61-SI-HC

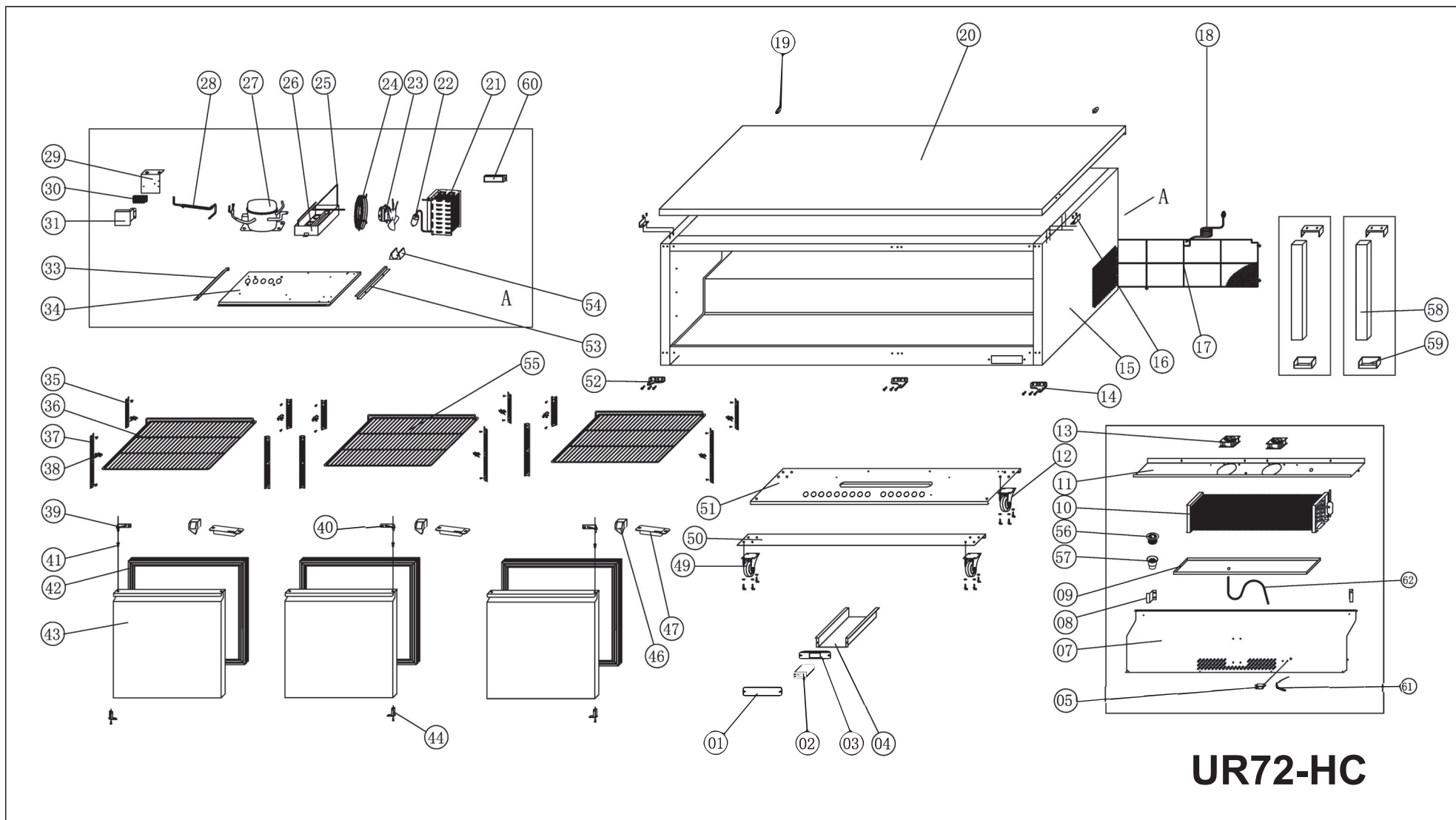
Parts List for Model: UR61-SI-HC

No.	PART #	DESCRIPTION	QTY	No.	PART #	DESCRIPTION	QTY
1	H108060074	CONTROLLER PROTECTOR COVER	1	30	H00215	TERMINAL BLOCK, 5 POLE	1
2	H00219-2	CONTROLLER, DIXELL (XR20CX-4R0F1)	1	31	NON STOCKING	COVER	1
3	NON STOCKING	THERMOSTAT MOUNTING BOARD	1	35	H03342	PILASTER	4
4	NON STOCKING	THERMOSTAT BOX	1	36	H01310	SHELF, LEFT AND RIGHT (27.68" X 16.73")	2
5	H03335	SENSOR FIXED CLIP	1	37	H01342	PILASTER	4
7	H03155S	COVER, EVAPORATOR (SS INTERIOR)	1	38	C3234860	PILASTER CLIP	8
8	NON STOCKING	EVAPORATOR MOUNTING BRACKET	2	39	C01327	HINGE, TOP LEFT	1
9	H03142-1	DRAIN PAN, EVAPORATOR	1	40	C02327	HINGE, TOP RIGHT	1
10	HC1352R	EVAPORATOR COIL (20.87" X 13.78")	1	41	H00327B	HINGE BUSHING	2
11	H01137	EVAPORATOR FAN SUPPORT	1	41	H00327	HINGE PIN W/NUT & BUSHING	2
12	H01317	CASTER 2.5" DIAMETER WHEEL, WITH OUT BRAKE	2	42	HC1326	GASKET 26-1/4 X 29 BLACK	2
13	HC0117	EVAPORATOR FAN MOTOR (MOD 12539JE-12K-BA, DC12V .21A)	1	43	HC2323S-1	DOOR, LEFT OR RIGHT (SI)	2
14	C02327RB	HINGE, LOWER RIGHT	1	44	H00328-1	HINGE CARTRIDGE, SELF CLOSING	2
15	NON STOCKING	CABINET	1	46	HC10000	DOOR SWITCH	2
16	NON STOCKING	MAIN TOP BRACKET	2	47	HC10001	DOOR SWITCH CASE	2
17	H02313	REAR COMPARTMENT COVER	1	49	H01316	CASTER 2.5" DIAMETER WHEEL, WITH BRAKE	2
18	C2194681	POWER CORD, 18AWG/NEMA 5-15P	1	50	NON STOCKING	CASTER SUPPORT CHANEL	1
19	H02315	REAR WALL SPACER	2	51	NON STOCKING	MAIN BASE PANEL	1
20	NON STOCKING	MAIN TOP	1	52	C01327LB	HINGE, LOWER LEFT	1
21	HC2347-1	CONDENSER COIL (SC-252/318)	1	54	NON STOCKING	DRIER SUPPORT	1
22	RD0341	FILTER DRIER	1	55	G30001	DRAIN CONNECTOR (MALE)	1
23	NON STOCKING	CONDENSER COVER	1	56	G30001F	DRAIN CONNECTOR (FEMALE)	1
24	H01110	CONDENSER FAN MOTOR, BOX STYLE, (1238, 120VAC, 6W, 3100RPM)	1	57	HC00020	CENTER MULLION	1
25	HC0126	EVAPORATOR PIPE	1	58	HC00115	CENTER MULLION BRACKET	2
26	C30012	CONDENSER DRAIN PAN	1	59	H104070144	LED POWER SUPPLY, APV-8-12 (12V/8W)	1
27	H00034F	COMPRESSOR (HDL140D) W/ FILTER DRYER	1	60	H00205	TEMPERATURE SENSOR NTC TYPE (118" LENGTH)	1
27	H00227	START KIT FOR HDL140D	1	60	H00232	SENSOR CONNECTOR	1
27	H01301	CAP TUBE (.039" X 118.11")	1	60	H00205	TEMPERATURE SENSOR NTC TYPE (118" LENGTH)	1
28	HC0150	SUCTION PIPE	1	60	H00199	TEMPERATURE SENSOR NTC TYPE	1
29	NON STOCKING	BRACKET	1	61	HC0396	DRAIN PIPE	1



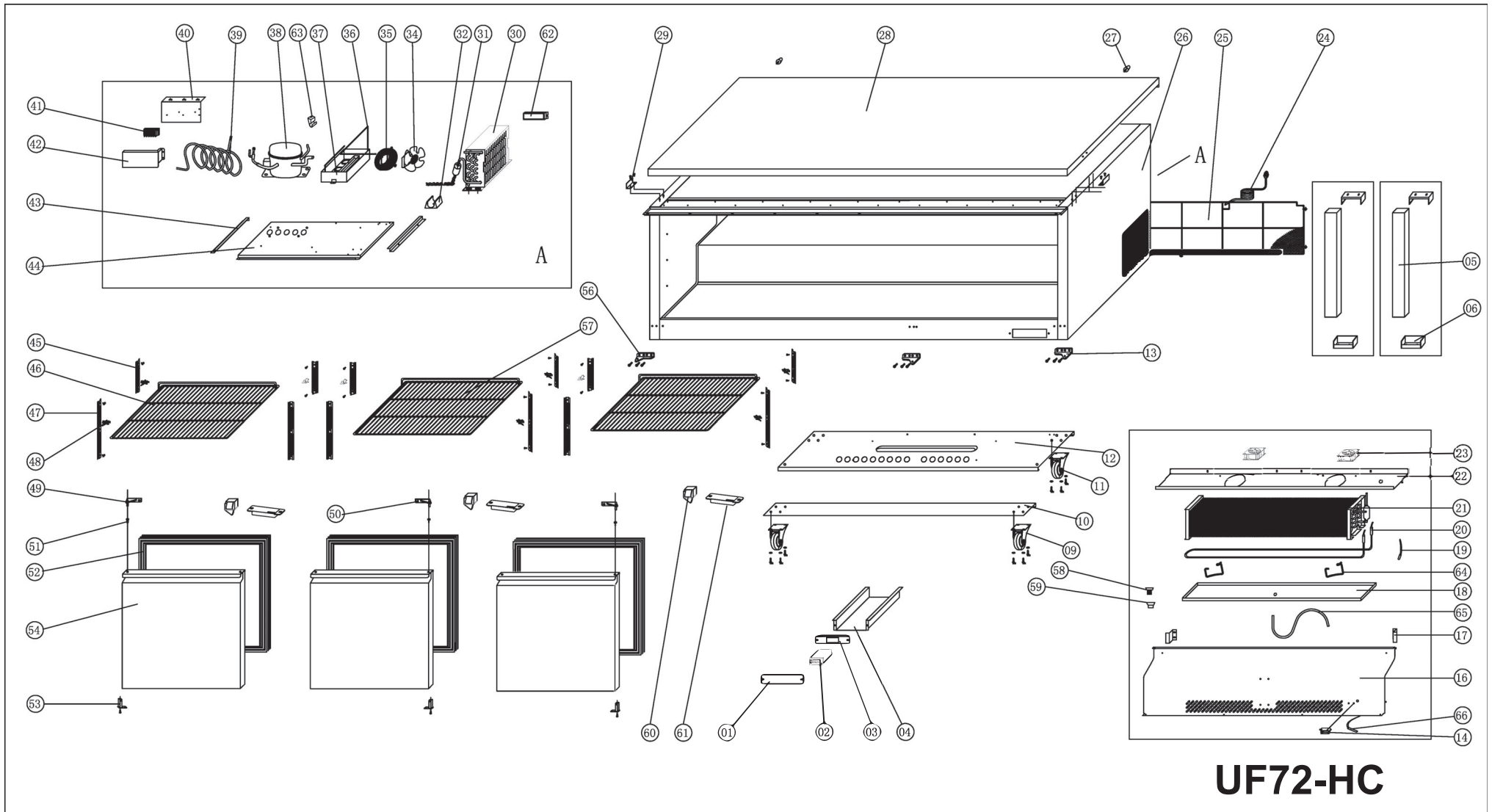
Parts List for Model: UF61-SI-HC

No.	PART #	DESCRIPTION	QTY	No.	PART #	DESCRIPTION	QTY
1	HC10000	DOOR SWITCH	2	36	C30012	CONDENSER DRAIN PAN	1
2	HC10001	DOOR SWITCH CASE	2	37	H00037F	COMPRESSOR (NEU2140U) W/ FILTER DRYER	1
3	H108060074	CONTROLLER PROTECTOR COVER	1	37	H03304	CAP TUBE (.035" X 86.61")	1
5	HC0204	CONTROLLER, DIXELL (XR60CX-4R0F1)	1	37	H00037K	START KIT FOR NEU2140U	1
6	NON STOCKING	THERMOSTAT MOUNTING BOARD	1	38	HC0152	SUCTION PIPE	1
7	NON STOCKING	THERMOSTAT BOX	1	39	NON STOCKING	BRACKET	1
9	H01316	CASTER 2.5" DIAMETER WHEEL, WITH BRAKE	2	40	H00215	TERMINAL BLOCK, 5 POLE	1
10	NON STOCKING	CASTER SUPPORT CHANEL	1	41	NON STOCKING	COVER	1
11	H01317	CASTER 2.5" DIAMETER WHEEL, WITH OUT BRAKE	2	44	H03342	PILASTER	4
12	NON STOCKING	GUIDE LEFT	1	45	H01310	SHELF, LEFT AND RIGHT (27.68" X 16.73")	2
13	C02327RB	HINGE, LOWER RIGHT	1	46	H01342	PILASTER	4
14	H03335	SENSOR FIXED CLIP	1	47	C3234860	PILASTER CLIP	8
16	H03154S	COVER, EVAPORATOR (SS INTERIOR)	1	48	C01327	HINGE, TOP LEFT	1
17	NON STOCKING	EVAPORATOR MOUNTING BRACKET	2	49	C02327	HINGE, TOP RIGHT	1
18	H01144	EVAPORATOR DRAIN PAN (43.3" X 5" X 1")	1	50	H00327B	HINGE BUSHING	2
19	H00207	FUSE, THERMAL, DEFROST HEATER	1	50	H00327	HINGE PIN W/NUT & BUSHING	2
20	HC1202	DEFROST HEATING ELEMENT	1	51	HC1326	GASKET 26-1/4 X 29 BLACK	1
21	HC1354F	EVAPORATOR COIL (36.22" X 5.9")	1	52	H00328-1	HINGE CARTRIDGE, SELF CLOSING	2
22	HC1360	EVAPORATOR FAN SUPPORT	1	53	HC2323S-2	DOOR, LEFT OR RIGHT (SI)	2
23	HC0117	EVAPORATOR FAN MOTOR (MOD 12539JE-12K-BA, DC12V .21A)	2	55	C01327LB	HINGE, LOWER LEFT	1
24	C2194681	POWER CORD, 18AWG/NEMA 5-15P	1	56	HC00121	CENTER MULLION	1
25	H02313	REAR COMPARTMENT COVER	1	57	HC00115	CENTER MULLION BRACKET	2
26	NON STOCKING	CABINET	1	58	H104070144	LED POWER SUPPLY, APV-8-12 (12V/8W)	1
27	H02315	REAR WALL SPACER	2	59	NON STOCKING	DRAIN CLIP	1
28	NON STOCKING	MAIN TOP	1	60	NON STOCKING	HEAT ELEMENT CLIP	2
29	NON STOCKING	MAIN TOP BRACKET	2	61	G30001	DRAIN CONNECTOR (MALE)	1
30	HC0341	CONDENSER COIL	1	62	G30001F	DRAIN CONNECTOR (FEMALE)	1
31	RD0341	FILTER DRIER	1	63	HC0391	DRAIN PIPE	1
32	NON STOCKING	DRIER SUPPORT	1	64	H00205	TEMPERATURE SENSOR NTC TYPE (118" LENGTH)	1
33	H00125	CONDENSER FAN MOTOR, BD03-04/CO6 (5W)	1	64	H00232	SENSOR CONNECTOR	1
33	HC0117-1	CONDENSER FAN BLADE (V172)	1	64	H00205	TEMPERATURE SENSOR NTC TYPE (118" LENGTH)	1
34	RD00111	CONDENSER FAN COVER (V172)	1	64	H00199	TEMPERATURE SENSOR NTC TYPE	1
35	HC0128	EVAPORATOR PIPE	1				



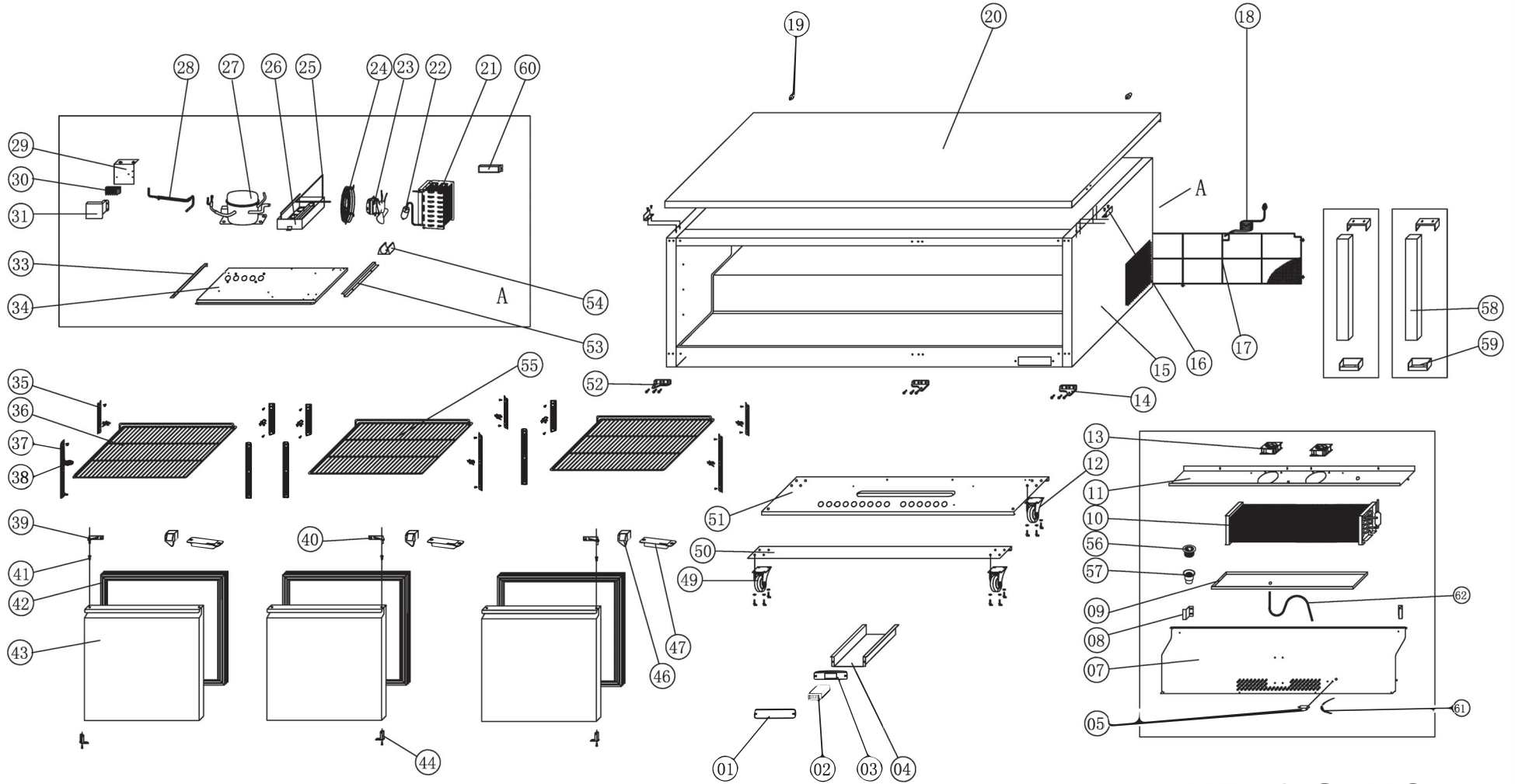
Parts List for Model: UR72-HC

No.	PART #	DESCRIPTION	QTY	No.	PART #	DESCRIPTION	QTY
1	H108060074	CONTROLLER PROTECTOR COVER	1	33	NON STOCKING	GUIDE LEFT	1
2	H00219-2	CONTROLLER, DIXELL (XR20CX-4R0F1)	1	34	NON STOCKING	CONDENSER PANEL	1
3	NON STOCKING	THERMOSTAT MOUNTING BOARD	1	35	H03342	PILASTER	6
4	NON STOCKING	THERMOSTAT BOX	1	36	H01309	SHELF, LEFT & RIGHT (21.18" X 16.73")	2
5	H00335	SENSOR CLIP	1	37	H01342	PILASTER	6
7	H03158	EVAPORATOR COVER	1	38	C3234860	PILASTER CLIP	12
8	NON STOCKING	EVAPORATOR MOUNTING BRACKET	2	39	C01327	HINGE, TOP LEFT	1
9	HC1148	EVAPORATOR DRAIN PAN	1	40	C02327	HINGE, TOP RIGHT	2
10	HC1355R	EVAPORATOR COIL (36.22" X 11.81")	1	41	H00327B	HINGE BUSHING	3
11	H01415	EVAPORATOR FAN SUPPORT	1	41	H00327	HINGE PIN W/NUT & BUSHING	3
12	H01317	CASTER 2.5" DIAMETER WHEEL, WITH OUT BRAKE	2	42	HC2325	GASKET 22-1/2 X 26-1/4 BLACK	3
13	HC0117	EVAPORATOR FAN MOTOR (MOD 12539JE-12K-BA, DC12V .21A)	2	43	HC1324	DOOR, LEFT OR RIGHT, 48" AFTER SN 1807	3
14	C02327RB	HINGE, LOWER RIGHT	2	44	H00328-1	HINGE CARTRIDGE, SELF CLOSING	3
15	NON STOCKING	CABINET	1	46	HC10000	DOOR SWITCH	3
16	NON STOCKING	MAIN TOP BRACKET	2	47	HC10001	DOOR SWITCH CASE	3
17	H02313-72	REAR COMPARTMENT COVER	1	49	H01316	CASTER 2.5" DIAMETER WHEEL, WITH BRAKE	2
18	C2194681	POWER CORD, 18AWG/NEMA 5-15P	1	50	NON STOCKING	CASTER SUPPORT CHANEL	1
19	H02315	REAR WALL SPACER	2	51	NON STOCKING	MAIN BASE PANEL	1
20	NON STOCKING	MAIN TOP	1	52	C01327LB	HINGE, LOWER LEFT	1
21	HC3348	CONDENSER COIL (ETUC72)	1	53	NON STOCKING	GUIDE RIGHT	1
22	RD0341	FILTER DRIER	1	54	NON STOCKING	DRIER SUPPORT	1
23	H00125	CONDENSER FAN MOTOR, BD03-04/CO6 (5W)	1	55	H01312	SHELF, MIDDLE (27.7*16.73")	1
23	H00121	CONDENSER FAN BLADE (V200)	1	56	G30001	DRAIN CONNECTOR (MALE)	1
24	HC0113	CONDENSER FAN COVER (V200)	1	57	G30001F	DRAIN CONNECTOR (FEMALE)	1
25	HC0126	EVAPORATOR PIPE	1	58	HC00020	CENTER MULLION	2
26	C30012	CONDENSER DRAIN PAN	1	59	HC00115	CENTER MULLION BRACKET	4
27	H00038F	COMPRESSOR (NUG45LR) W/ FILTER DRYER	1	60	H104070144	LED POWER SUPPLY, APV-8-12 (12V/8W)	1
27	HC0038K	START KIT FOR NUG45LR	1	61	H00205	TEMPERATURE SENSOR NTC TYPE (118" LENGTH)	1
27	H01301	CAP TUBE (.039" X 118.11")	1	61	H00232	SENSOR CONNECTOR	1
28	HC0153	SUCTION PIPE	1	61	H00205	TEMPERATURE SENSOR NTC TYPE (118" LENGTH)	1
29	NON STOCKING	BRACKET	1	61	H00199	TEMPERATURE SENSOR NTC TYPE	1
30	H00215	TERMINAL BLOCK, 5 POLE	1	62	HC0396	DRAIN PIPE	1
31	NON STOCKING	COVER	1				



Parts List for Model: UF72-HC

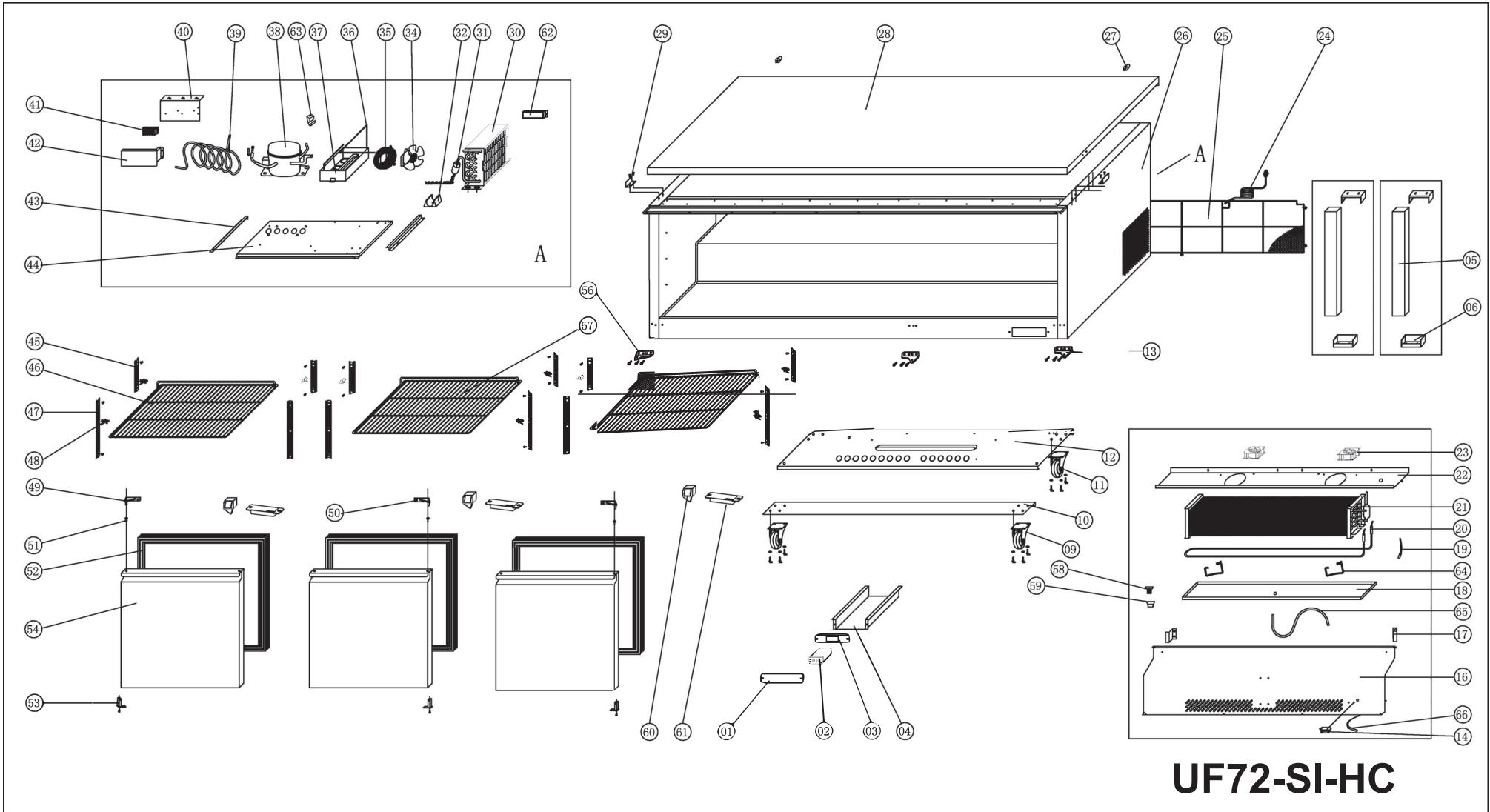
No.	PART #	DESCRIPTION	QTY	No.	PART #	DESCRIPTION	QTY
1	H108060074	CONTROLLER PROTECTOR COVER	1	38	HC0010F	COMPRESSOR (NEU2155U) W/ FILTER DRYER	1
2	HC0204	CONTROLLER, DIXELL (XR60CX-4R0F1)	1	38	HC0010K	START KIT FOR NEU2155U	1
3	NON STOCKING	THERMOSTAT MOUNTING BOARD	1	38	H03304	CAP TUBE (.035" X 86.61")	1
4	NON STOCKING	THERMOSTAT BOX	1	39	HC0130	SUCTION PIPE	1
5	HC00121	CENTER MULLION RIGHT	1	40	NON STOCKING	BRACKET	1
5	HC00020-1	MULLION LEFT	1	41	H00215	TERMINAL BLOCK, 5 POLE	1
6	HC00115	CENTER MULLION BRACKET	4	42	NON STOCKING	COVER	1
9	H01316	CASTER 2.5" DIAMETER WHEEL, WITH BRAKE	2	43	NON STOCKING	GUIDE LEFT	1
10	NON STOCKING	CASTER SUPPORT CHANEL	1	43	NON STOCKING	GUIDE RIGHT	1
11	H01317	CASTER 2.5" DIAMETER WHEEL, WITH OUT BRAKE	2	44	NON STOCKING	CONDENSER PANEL	1
12	NON STOCKING	MAIN BASE PANEL	1	45	H03342	PILASTER	6
13	C02327RB	HINGE, LOWER RIGHT	2	46	H01309	SHELF, LEFT & RIGHT (21.18" X 16.73")	2
14	H00335	SENSOR CLIP	1	47	H01342	PILASTER	6
16	H03159	EVAPORATOR COVER	1	48	C3234860	PILASTER CLIP	12
17	NON STOCKING	EVAPORATOR MOUNTING BRACKET	2	49	C01327	HINGE, TOP LEFT	1
18	H01357	EVAPORATOR DRAIN PAN	1	50	C02327	HINGE, TOP RIGHT	2
19	H00207	FUSE, THERMAL, DEFROST HEATER	1	51	H00327B	HINGE BUSHING	3
20	HC1204	DEFROST HEATING ELEMENT	1	51	H00327	HINGE PIN W/NUT & BUSHING	3
21	H01355Q	EVAPORATOR COIL (44.10" X 5.91")	1	52	HC2325	GASKET 22-1/2 X 26-1/4 BLACK	3
22	HC1360-1	EVAPORATOR FAN SUPPORT	1	53	H00328-1	HINGE CARTRIDGE, SELF CLOSING	3
23	HC0117	EVAPORATOR FAN MOTOR (MOD 12539JE-12K-BA, DC12V .21A)	2	54	HC1324	DOOR, LEFT OR RIGHT, 48" AFTER SN 1807	3
24	C2194681	POWER CORD, 18AWG/NEMA 5-15P	1	56	C01327LB	HINGE, LOWER LEFT	1
25	H02313-72	REAR COMPARTMENT COVER	1	57	H01312	SHELF, MIDDLE (27.7*16.73")	1
26	NON STOCKING	CABINET	1	58	G30001	DRAIN CONNECTOR (MALE)	1
27	H02315	REAR WALL SPACER	2	59	G30001F	DRAIN CONNECTOR (FEMALE)	1
28	NON STOCKING	MAIN TOP	1	60	HC10000	DOOR SWITCH	3
29	NON STOCKING	MAIN TOP BRACKET	2	61	HC10001	DOOR SWITCH CASE	3
30	HC0347	CONDENSER COIL (G-SS45BT)	1	62	H104070144	LED POWER SUPPLY, APV-8-12 (12V/8W)	1
31	RD0341	FILTER DRIER	1	63	NON STOCKING	DRAIN CLIP	1
32	NON STOCKING	DRIER SUPPORT	1	64	NON STOCKING	HEAT ELEMENT CLIP	2
34	H00125	CONDENSER FAN MOTOR, BD03-04/CO6 (5W)	1	65	HC0391	DRAIN PIPE	1
34	HC0117-1	CONDENSER FAN BLADE (V172)	1	66	H00205	TEMPERATURE SENSOR NTC TYPE (118" LENGTH)	1
35	RD00111	CONDENSER FAN COVER (V172)	1	66	H00232	SENSOR CONNECTOR	1
36	HC0128	EVAPORATOR PIPE	1	66	H00205	TEMPERATURE SENSOR NTC TYPE (118" LENGTH)	1
37	C30012	CONDENSER DRAIN PAN	1	66	H00199	TEMPERATURE SENSOR NTC TYPE	1



UR72-SI-HC

Parts List for Model: UR72-SI-HC

No.	PART #	DESCRIPTION	QTY	No.	PART #	DESCRIPTION	QTY
1	H108060074	CONTROLLER PROTECTOR COVER	1	33	NON STOCKING	GUIDE LEFT	1
2	H00219-2	CONTROLLER, DIXELL (XR20CX-4R0F1)	1	34	NON STOCKING	CONDENSER PANEL	1
3	NON STOCKING	THERMOSTAT MOUNTING BOARD	1	35	H03342	PILASTER	6
4	NON STOCKING	THERMOSTAT BOX	1	36	H01309	SHELF, LEFT & RIGHT (21.18" X 16.73")	2
5	H03335	SENSOR FIXED CLIP	1	37	H01342	PILASTER	6
7	H03158S	COVER, EVAPORATOR (SS INTERIOR)	1	38	C3234860	PILASTER CLIP	12
8	NON STOCKING	EVAPORATOR MOUNTING BRACKET	2	39	C01327	HINGE, TOP LEFT	1
9	HC1148	EVAPORATOR DRAIN PAN	1	40	C02327	HINGE, TOP RIGHT	2
10	HC1355R	EVAPORATOR COIL (36.22" X 11.81")	1	41	H00327B	HINGE BUSHING	3
11	H01415	EVAPORATOR FAN SUPPORT	1	41	H00327	HINGE PIN W/NUT & BUSHING	3
12	H01317	CASTER 2.5" DIAMETER WHEEL, WITH OUT BRAKE	2	42	HC2325	GASKET 22-1/2 X 26-1/4 BLACK	3
13	HC0117	EVAPORATOR FAN MOTOR (MOD 12539JE-12K-BA, DC12V .21A)	2	43	HC1321	DOOR, LEFT OR RIGHT	3
14	C02327RB	HINGE, LOWER RIGHT	2	44	H00328-1	HINGE CARTRIDGE, SELF CLOSING	3
15	NON STOCKING	CABINET	1	46	HC10000	DOOR SWITCH	3
16	NON STOCKING	MAIN TOP BRACKET	2	47	HC10001	DOOR SWITCH CASE	3
17	H02313-72	REAR COMPARTMENT COVER	1	49	H01316	CASTER 2.5" DIAMETER WHEEL, WITH BRAKE	2
18	C2194681	POWER CORD, 18AWG/NEMA 5-15P	1	50	NON STOCKING	CASTER SUPPORT CHANEL	1
19	H02315	REAR WALL SPACER	2	51	NON STOCKING	MAIN BASE PANEL	1
20	NON STOCKING	MAIN TOP	1	52	C01327LB	HINGE, LOWER LEFT	1
21	HC3348	CONDENSER COIL (ETUC72)	1	53	NON STOCKING	GUIDE RIGHT	1
22	RD0341	FILTER DRIER	1	54	NON STOCKING	DRIER SUPPORT	1
23	H00125	CONDENSER FAN MOTOR, BD03-04/CO6 (5W)	1	55	H01312	SHELF, MIDDLE (27.7*16.73")	1
23	H00121	CONDENSER FAN BLADE (V200)	1	56	G30001	DRAIN CONNECTOR (MALE)	1
24	HC0113	CONDENSER FAN COVER (V200)	1	57	G30001F	DRAIN CONNECTOR (FEMALE)	1
25	HC0126	EVAPORATOR PIPE	1	58	HC00020	CENTER MULLION	2
26	C30012	CONDENSER DRAIN PAN	1	59	HC00115	CENTER MULLION BRACKET	4
27	H00038F	COMPRESSOR (NUG45LR) W/ FILTER DRYER	1	60	H104070144	LED POWER SUPPLY, APV-8-12 (12V/8W)	1
27	HC0038K	START KIT FOR NUG45LR	1	61	H00205	TEMPERATURE SENSOR NTC TYPE (118" LENGTH)	1
27	H01301	CAP TUBE (.039" X 118.11")	1	61	H00232	SENSOR CONNECTOR	1
28	HC0153	SUCTION PIPE	1	61	H00205	TEMPERATURE SENSOR NTC TYPE (118" LENGTH)	1
29	NON STOCKING	BRACKET	1	61	H00199	TEMPERATURE SENSOR NTC TYPE	1
30	H00215	TERMINAL BLOCK, 5 POLE	1	62	HC0396	DRAIN PIPE	1
31	NON STOCKING	COVER	1				



Parts list for Model: UF72-SI-HC

No.	PART #	DESCRIPTION	QTY	No.	PART #	DESCRIPTION	QTY
1	H108060074	CONTROLLER PROTECTOR COVER	1	38	HC0010F	COMPRESSOR (NEU2155U) W/ FILTER DRYER	1
2	HC0204	CONTROLLER, DIXELL (XR60CX-4R0F1)	1	38	HC0010K	START KIT FOR NEU2155U	1
3	NON STOCKING	THERMOSTAT MOUNTING BOARD	1	38	H03304	CAP TUBE (.035" X 86.61")	1
4	NON STOCKING	THERMOSTAT BOX	1	39	HC0130	SUCTION PIPE	1
5	HC00121	CENTER MULLION RIGHT	1	40	NON STOCKING	BRACKET	1
5	HC00020-1	MULLION LEFT	1	41	H00215	TERMINAL BLOCK, 5 POLE	1
6	HC00115	CENTER MULLION BRACKET	4	42	NON STOCKING	COVER	1
9	H01316	CASTER 2.5" DIAMETER WHEEL, WITH BRAKE	2	43	NON STOCKING	GUIDE LEFT	1
10	NON STOCKING	CASTER SUPPORT CHANEL	1	43	NON STOCKING	GUIDE RIGHT	1
11	H01317	CASTER 2.5" DIAMETER WHEEL, WITH OUT BRAKE	2	44	NON STOCKING	CONDENSER PANEL	1
12	NON STOCKING	MAIN BASE PANEL	1	45	H03342	PILASTER	6
13	C02327RB	HINGE, LOWER RIGHT	2	46	H01309	SHELF, LEFT & RIGHT (21.18" X 16.73")	2
14	H03335	SENSOR FIXED CLIP	1	47	H01342	PILASTER	6
16	H03159S	COVER, EVAPORATOR (SS INTERIOR)	1	48	C3234860	PILASTER CLIP	12
17	NON STOCKING	EVAPORATOR MOUNTING BRACKET	2	49	C01327	HINGE, TOP LEFT	1
18	H01357	EVAPORATOR DRAIN PAN	1	50	C02327	HINGE, TOP RIGHT	2
19	H00207	FUSE, THERMAL, DEFROST HEATER	1	51	H00327B	HINGE BUSHING	3
20	HC1204	DEFROST HEATING ELEMENT	1	51	H00327	HINGE PIN W/NUT & BUSHING	3
21	H01355Q	EVAPORATOR COIL (44.10" X 5.91")	1	52	HC2325	GASKET 22-1/2 X 26-1/4 BLACK	3
22	HC1360-1	EVAPORATOR FAN SUPPORT	1	53	H00328-1	HINGE CARTRIDGE, SELF CLOSING	3
23	HC0117	EVAPORATOR FAN MOTOR (MOD 12539JE-12K-BA, DC12V .21A)	2	54	HC1324S-1	DOOR, LEFT OR RIGHT (SI)	3
24	C2194681	POWER CORD, 18AWG/NEMA 5-15P	1	56	C01327LB	HINGE, LOWER LEFT	1
25	H02313-72	REAR COMPARTMENT COVER	1	57	H01312	SHELF, MIDDLE (27.7*16.73")	1
26	NON STOCKING	CABINET	1	58	G30001	DRAIN CONNECTOR (MALE)	1
27	H02315	REAR WALL SPACER	2	59	G30001F	DRAIN CONNECTOR (FEMALE)	1
28	NON STOCKING	MAIN TOP	1	60	HC10000	DOOR SWITCH	3
29	NON STOCKING	MAIN TOP BRACKET	2	61	HC10001	DOOR SWITCH CASE	3
30	HC0347	CONDENSER COIL (G-SS45BT)	1	62	H104070144	LED POWER SUPPLY, APV-8-12 (12V/8W)	1
31	RD0341	FILTER DRIER	1	63	NON STOCKING	DRAIN CLIP	1
32	NON STOCKING	DRIER SUPPORT	1	64	NON STOCKING	HEAT ELEMENT CLIP	2
34	H00125	CONDENSER FAN MOTOR, BD03-04/CO6 (5W)	1	65	HC0391	DRAIN PIPE	1
34	HC0117-1	CONDENSER FAN BLADE (V172)	1	66	H00205	TEMPERATURE SENSOR NTC TYPE (118" LENGTH)	1
35	RD00111	CONDENSER FAN COVER (V172)	1	66	H00232	SENSOR CONNECTOR	1
36	HC0128	EVAPORATOR PIPE	1	66	H00205	TEMPERATURE SENSOR NTC TYPE (118" LENGTH)	1
37	C30012	CONDENSER DRAIN PAN	1	66	H00199	TEMPERATURE SENSOR NTC TYPE	1



PARTS LIST

FOR UNDERCOUNTERS AND WORKTOPS MODELS:

**UR27-HC, UR48-HC, UR61-HC, UR72-HC, UF27-HC, UF48-HC,
UF61-HC, UF72-HC, WTR27-HC, WTR48-HC, WTR61-HC,
WTR72-HC, WTF27-HC, WTF48-HC, WTF61-HC, WTF72-HC**



For Parts please Call (704) 900-2068

Revision Date (CWL): March 10, 2025