



PARTS LIST
FOR REACH-IN MODELS:
CR1-TSI-HC, CF1-TSI-HC, CR2-TSI-HC,
CF2-TSI-HC, CR3-TSI-HC

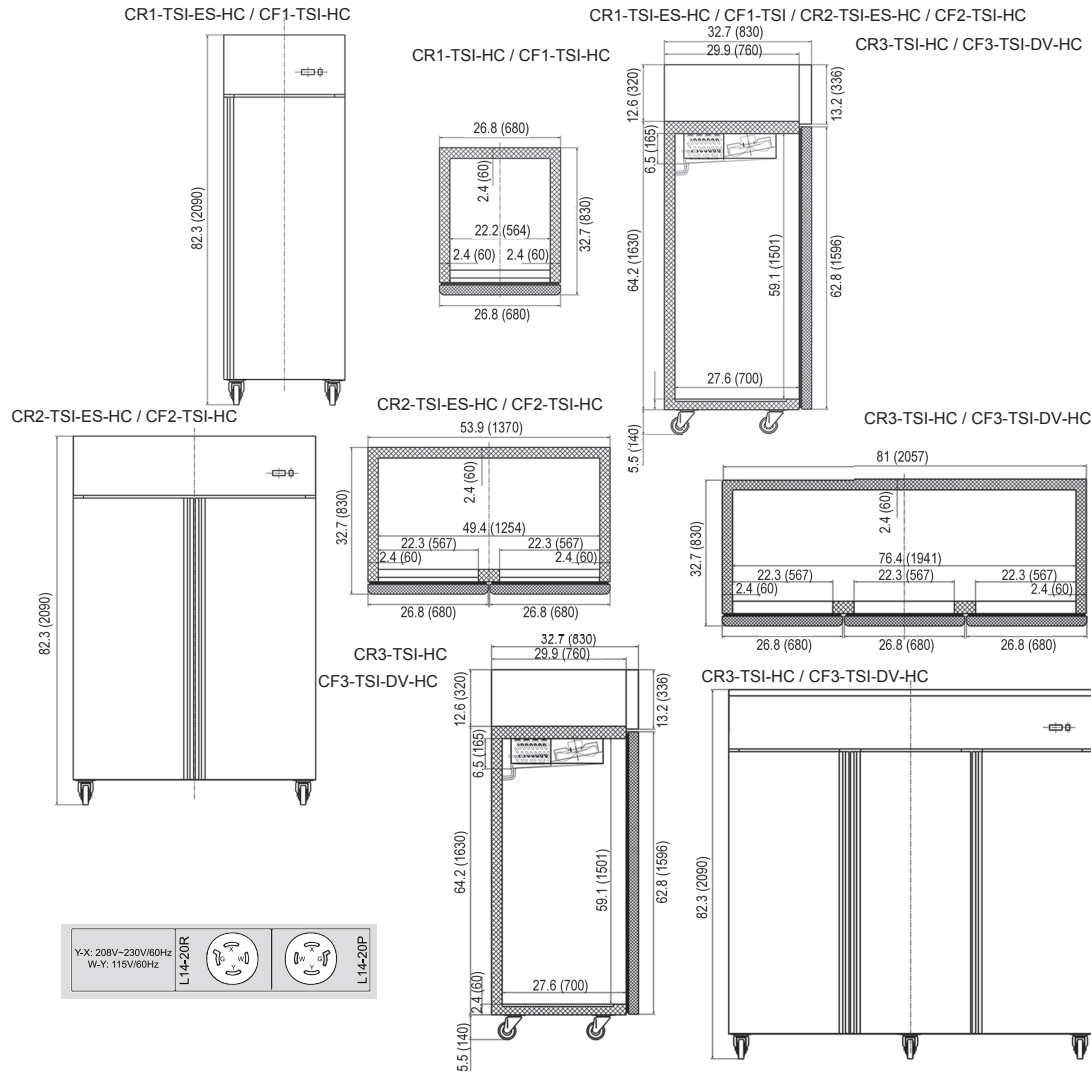


For Parts please Call (704) 900-2068

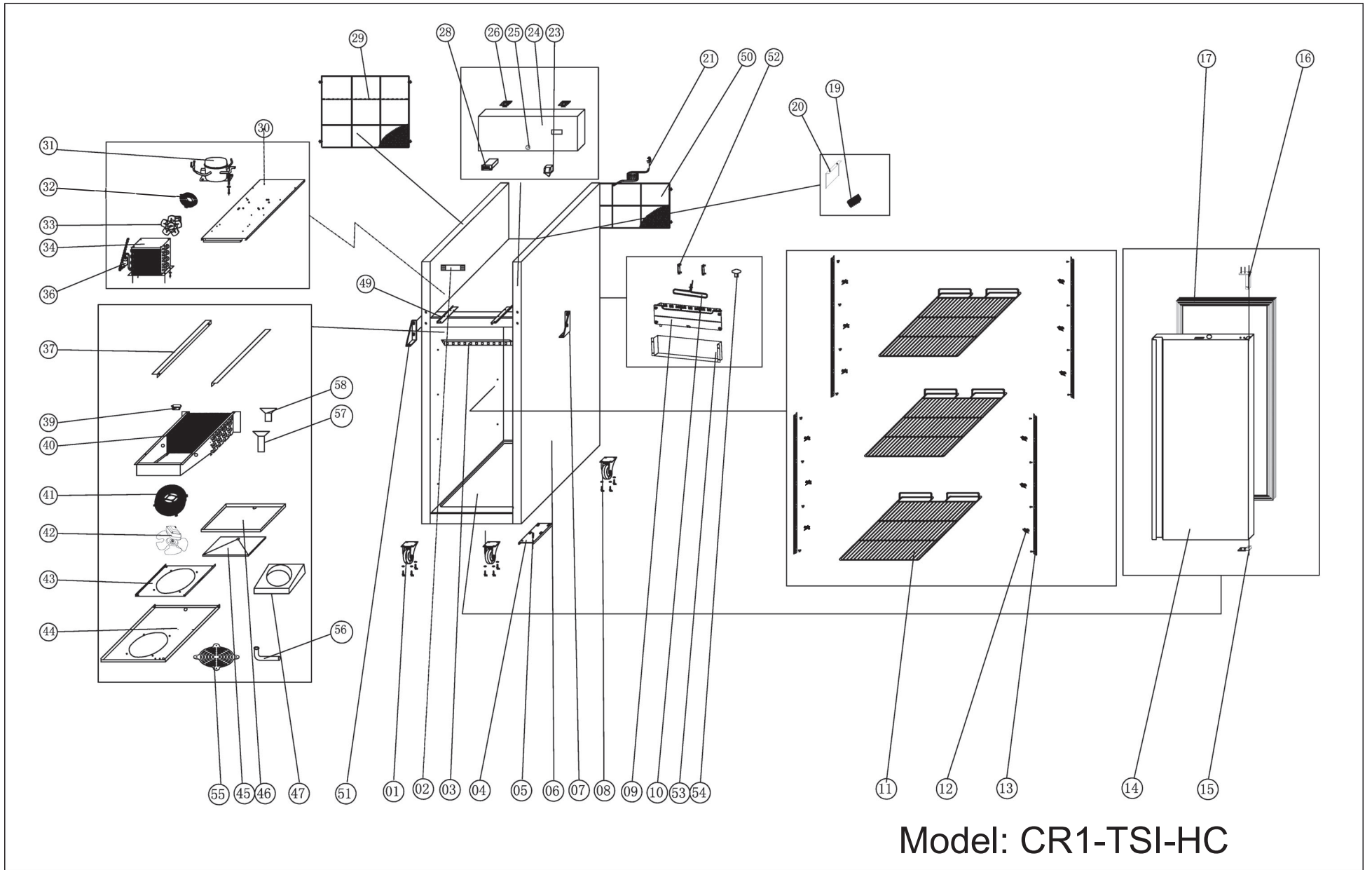
Revision Date: February 13, 2025



DETAILS AND DIMENSIONS

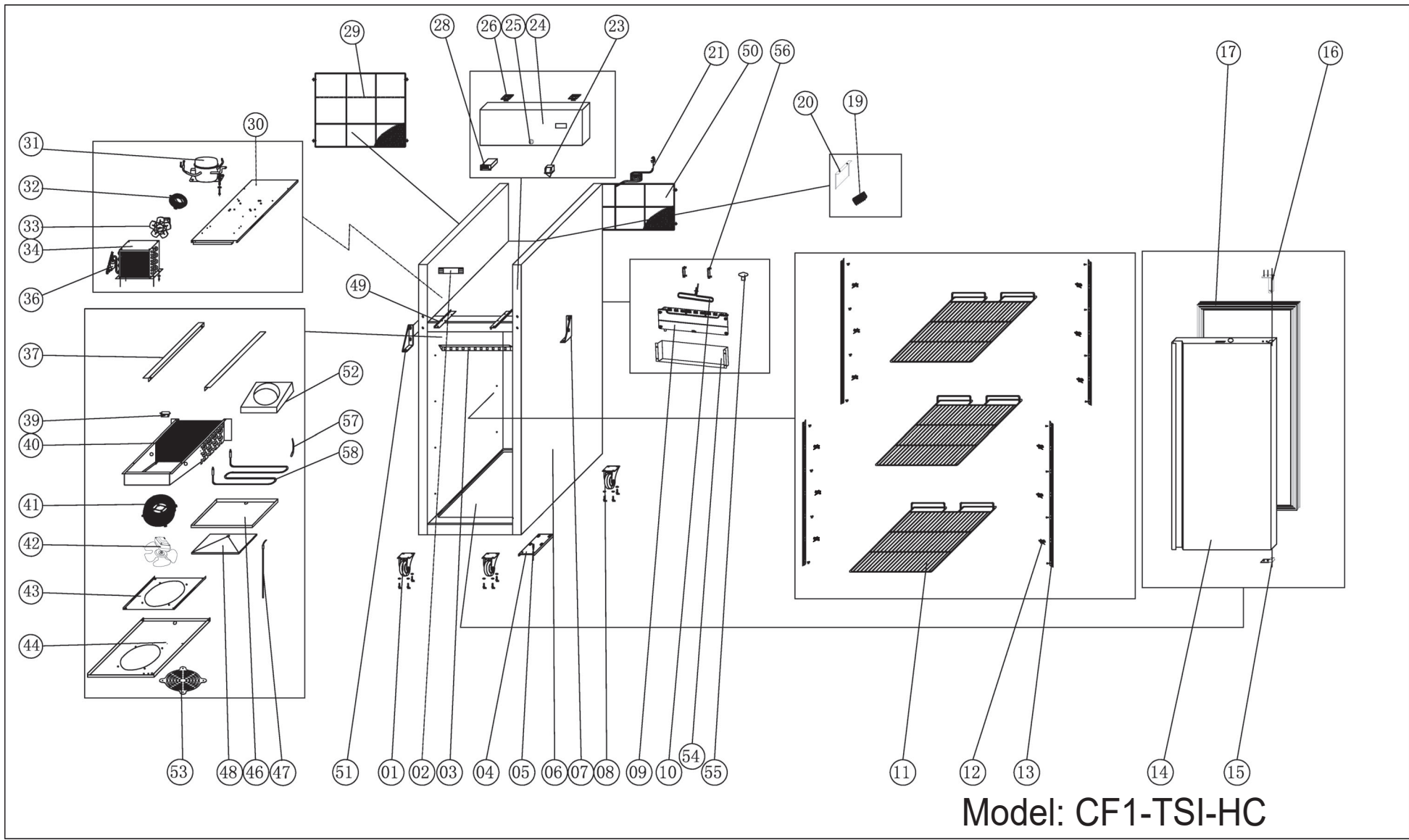


Model	Doors	Cabinet Dim (in) External			HP	Voltage /Hz /ph	Amp	NEMA Plug	Cord Lgth (ft)	Crated Weight (lbs)
		W	D	H						
CR1-TSI-ES-HC	1	26.8	32.7	82.3	1/5	115/60/1	3.0	5-15P	10	350
CR2-TSI-ES-HC	2	53.9	32.7	82.3	1/4	115/60/1	4.5	5-15P	10	518
CR3-TSI-HC	3	81	32.7	82.3	1/2	115/60/1	7.0	5-15P	10	669
CF1-TSI-HC	1	26.8	32.7	82.3	1/2	115/60/1	8	5-15P	10	364
CF2-TSI-HC	2	53.9	32.7	82.3	1.0	115/60/1	9	5-15P	10	568
CF3-TSI-DV-HC	3	81	32.7	82.3	1-1/4	115-230/60/1	9	L14-20	10	776



Parts List for Model: CR1-TSI-HC

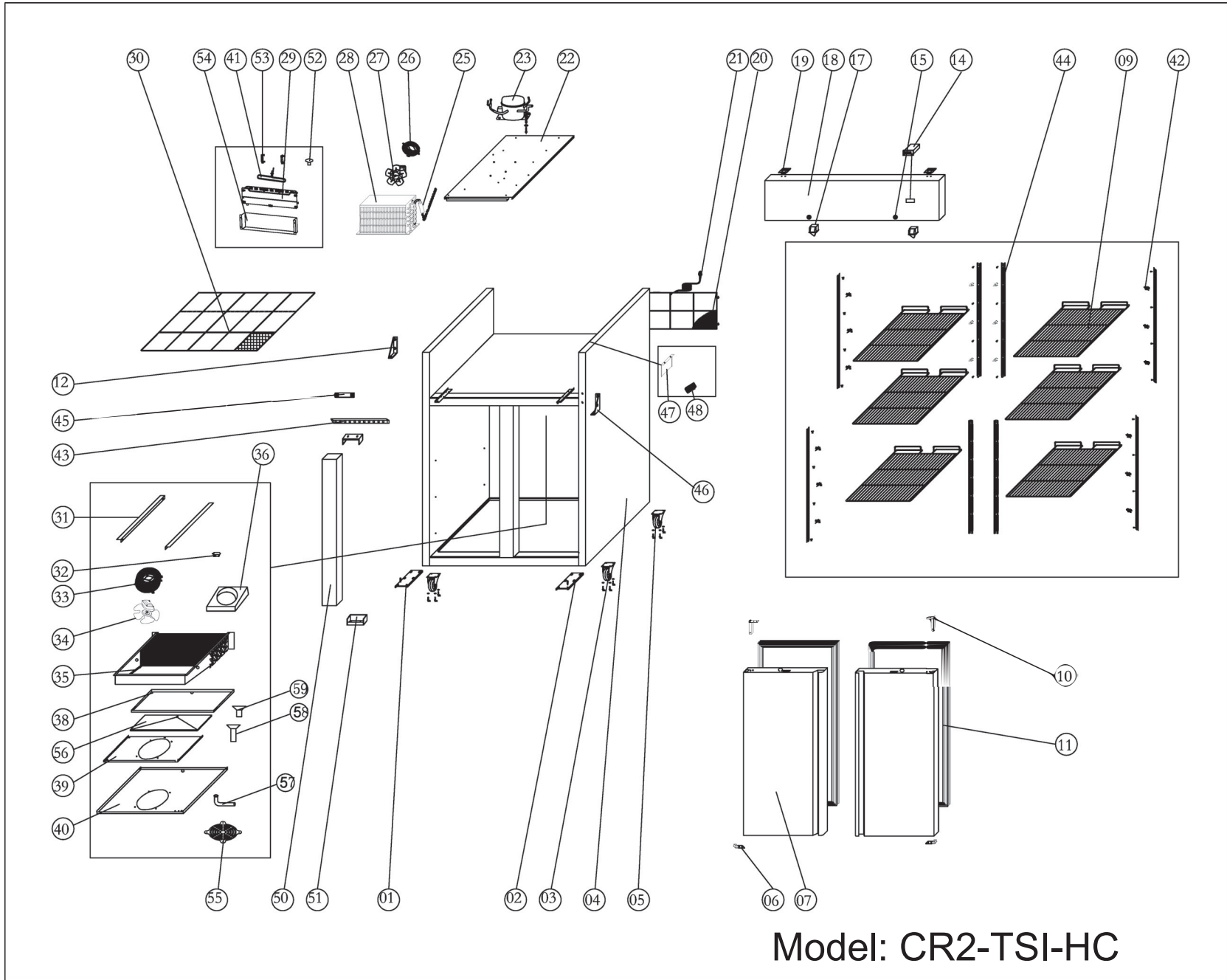
No.	PART #	DESCRIPTION	QTY	No.	PART #	DESCRIPTION	QTY
1	H00316	CASTER, 4" DIAMETER W/BRAKE	2	29	C20008	COVER, SCREEN, TOP, CONDENSER, 1DR	1
2	H104070118	LED POWER SUPPLY (24VAC/6.7W)	1	30	NON-STOCKING	COMPRESSOR MOUNTING PANEL	1
3	C2194688	LED LIGHT STRIP (REACH-IN) (LED2835, 2.4W, 24 VDC)	1	31	HC0001F	COMPRESSOR (EM2X3117U) W/ FILTER DRIER	1
4	C20021.1	HINGE, LOWER LEFT/RIGHT TOP-MOUNT (USE AFTER DATE CODE 2201)	1	31	HC0001K	START KIT FOR EM2X3117U	1
4	C20021	HINGE, LOWER LEFT/RIGHT TOP-MOUNT (USE PRIOR TO DATE CODE 2201)	1	31	H00301	CAPILLARY TUBE .055" ID X 196.9" L	1
5	H00327.1	HINGE PIN W/NUT & BUSHING (NEW STYLE)	1	32	RD00111	CONDENSER FAN GRILL	1
6	NON STOCKING	CABINET	1	33	H00110	CONDENSER FAN MOTOR, 9W, M4Q045-CA27-04/CA01	1
7	C20029	HINGE, UPPER RIGHT ONLY	1	34	HC0346	CONDENSER COIL (HC-HGD12F)	1
8	H00317	CASTER, 4" DIAMETER, W/O BRAKE	2	36	H00341	FILTER DRIER	1
9	C30302	CONDENSER DRAIN BOX, TOP MOUNT	1	37	NON STOCKING	EVAPORATOR SUPPORT	2
10	HC0147	SUCTION PIPE	1	39	H00335	SENSOR CLIP	1
11	H00307	SHELF, 1D (21.57" X 24.33")	3	40	HC000111	EVAPORATOR COIL (HC-27R)	1
12	C3234860	PILASTER SHELF CLIP	12	41	H00112	EVAPORATOR FAN GUARD, WHITE	1
13	H03343	PILASTER	4	42	H00114-2	EVAPORATOR FAN MOTOR, ECM7108, L=600, 100-120V 50/60HZ, 14W	1
14	HC0324-2	DOOR, SOLID, TOP MOUNT, SS INTERIOR, (AFTER DATE CODE 2201, HC)	1	43	H5202004565	MOTOR SUPPORT, EVAP FAN	1
15	H00326	HINGE AXIS JACKET, BOTTOM	1	44	NON-STOCKING	EVAPORATOR COVER, WHITE	1
16	HC0328	DOOR CLOSURE	1	45	NON STOCKING	SUPPORT PAN	1
17	H00325-2	GASKET, DOOR TOP MOUNT (24-3/4 X 61-7/16 BLACK)	1	46	HC0142	DRAIN PAN, EVAPORATOR (USE AFTER TO 2204)	1
19	H00215	TERMINAL BLOCK, 5 POLE	2	47	GHC3014	AIR DUCT	1
20	NON-STOCKING	MOUNTING BRACKET	1	50	C20005	COVER, SCREEN, BACK CONDENSER	1
21	C2194681	POWER CORD, 18AWG/NEMA 5-15P	1	51	C20028	HINGE, UPPER LEFT ONLY	1
23	C2194677	DOOR SWITCH 3 PIN WHITE (AFTER START OF HC)	1	52	NON-STOCKING	DISCHARGE PIPE CLIP	2
24	HC0318-TSI-1	UPPER SHROUD, TOP MOUNT (REPLACES HC0318-TSI)	1	53	C30002-2	CONDENSER DRAIN BOX COVER (USE AFTER DATE CODE 2201)	1
24	CC0318-TSI-1	UPPER SHROUD, TOP MOUNT (MOTAK/CENTAUR)	1	53	C30002-1	CONDENSER DRAIN BOX COVER (USE PRIOR TO DATE CODE 2201)	1
25	HC00357	KEY-DOOR, LOCK (SOLD IN PACK OF TWO)	1	54	H03336	DRAIN JOINT	1
26	H00321	HINGE, SHROUD UPPER	2	55	H00112-1	EVAPORATOR FAN GUARD	1
28	H00219-2	CONTROLLER, DIXELL (XR20CX-4R0F1)	1	56	H00336	DRAIN JOINT	1
28	H00205	TEMPERATURE SENSOR NTC (118" LENGTH)	1	57	G30002	DRAIN FITTING (F)	1
				58	G30001	DRAIN PIPE FITTING	1



Model: CF1-TSI-HC

Parts List for Model: CF1-TSI-HC

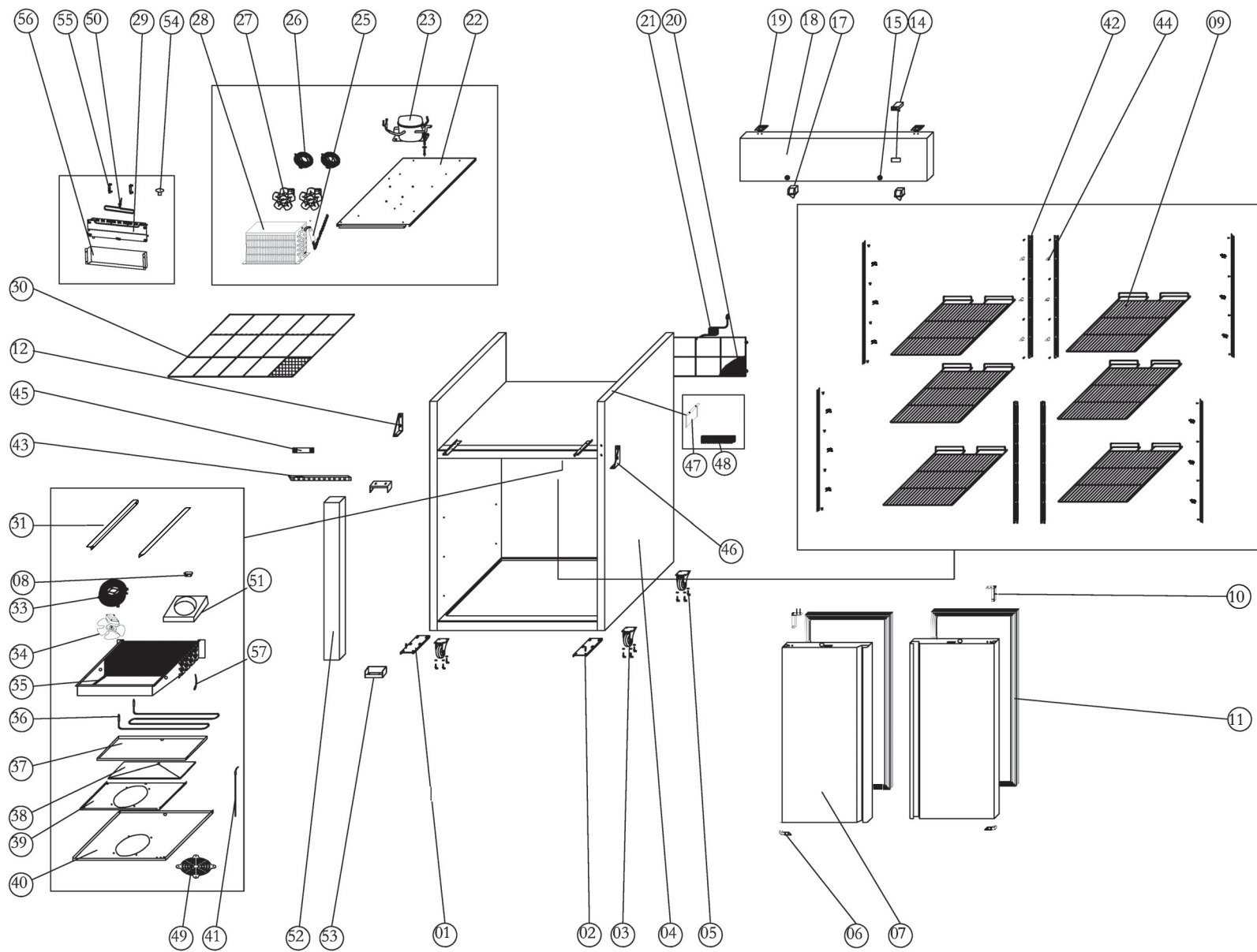
No.	PART #	DESCRIPTION	QTY	No.	PART #	DESCRIPTION	QTY
1	H00316	CASTER, 4" DIAMETER W/BRAKE	2	31	HC0025F	COMPRESSOR (EHX2155U) W/FILTER DRIER	1
2	H104070118	LED POWER SUPPLY (24VAC/6.7W)	1	31	HC0025K	START KIT FOR EHX2155U	1
3	C2194688	LED LIGHT STRIP (REACH-IN) (LED2835, 2.4W, 24 VDC)	1	31	H00302	CAPILLARY TUBE .055" ID X 169.25" L	1
4	C20021.1	HINGE, LOWER LEFT/RIGHT TOP-MOUNT (USE AFTER DATE CODE 2201)	1	32	RD00111	CONDENSER FAN GRILL	1
5	H00327.1	HINGE PIN W/NUT & BUSHING (NEW STYLE)	1	33	H00110	CONDENSER FAN MOTOR, 9W, M4Q045-CA27-04/CA01	1
6	NON STOCKING	CABINET	1	33	HC0117-1	CONDENSER FAN BLADE	1
7	C20029	HINGE, UPPER RIGHT ONLY	1	34	HC0346	CONDENSER COIL (HC-HGD12F)	1
8	H00317	CASTER, 4" DIAMETER, W/O BRAKE	2	36	H00341	FILTER DRIER	1
9	C30302	CONDENSER DRAIN BOX, TOP MOUNT	1	37	NON STOCKING	EVAPORATOR SUPPORT	1
10	HRI2000-1	SUCTION PIPE (REPLACES HRI2000)	1	39	H03335	SENSOR CLIP	1
11	H00307	SHELF, 1D (21.57" X 24.33")	3	40	HC000111	EVAPORATOR COIL (HC-27R)	1
12	C3234860	PILASTER SHELF CLIP	12	41	H00112	EVAPORATOR FAN GUARD, WHITE	1
13	H03343	PILASTER	4	42	H00114-2	EVAPORATOR FAN MOTOR, ECM7108, L=600, 100-120V 50/60HZ, 14W	1
14	HC0324-2	DOOR, SOLID, TOP MOUNT, SS INTERIOR, (AFTER DATE CODE 2201, HC)	1	42	HC0116-F	EVAPORATOR FAN BLADE (FOR ALL HC0116-1, 2, 3 TYPE FAN MOTORS)	1
15	H00326	HINGE AXIS JACKET, BOTTOM	1	43	H5202004565	MOTOR SUPPORT, EVAP FAN	1
16	HC0328	DOOR CLOSURE	1	44	NON-STOCKING	EVAPORATOR COVER, WHITE	1
17	H00325-2	GASKET, DOOR TOP MOUNT (24-3/4 X 61-7/16 BLACK)	1	46	HC0142	DRAIN PAN, EVAPORATOR (USE AFTER TO 2204)	1
19	H00215	TERMINAL BLOCK, 5 POLE	1	47	H00211	HEATER, DRAIN PIPE, (13W)	1
20	NON-STOCKING	MOUNTING BRACKET	1	48	NON STOCKING	SUPPORT PAN	1
21	C2194684	POWER CORD, 14AWG/NEMA 5-15P	1	50	C20005	COVER, SCREEN, BACK CONDENSER	1
23	C2194677	DOOR SWITCH 3 PIN WHITE (AFTER START OF HC)	1	51	C20028	HINGE, UPPER LEFT ONLY	1
24	HC0318-TSI-1	UPPER SHROUD, TOP MOUNT (REPLACES HC0318-TSI)	1	52	GHC3014	AIR DUCT	1
24	CC0318-TSI-1	UPPER SHROUD, TOP MOUNT (MOTAK/CENTAUR)	1	53	H108110138	EVAPORATOR FAN GUARD	1
25	HC00357	KEY-DOOR, LOCK (SOLD IN PACK OF TWO)	1	54	C30002-2	CONDENSER DRAIN BOX COVER (USE FROM DATE CODE 2201)	1
26	H00321	HINGE, SHROUD UPPER	2	55	H03336	DRAIN JOINT	1
28	HC0204	CONTROLLER, DIXELL (XR60CX-4R0F1)	1	56	NON-STOCKING	DISCHARGE PIPE CLIP	2
28	H00205	TEMPERATURE SENSOR NTC (118" LENGTH)	2	57	H00207	FUSE, THERMAL, DEFROST HEATER	1
29	C20008	COVER, SCREEN, TOP, CONDENSER, 1DR	1	58	HC0201	DEFROST HEATING ELEMENT	1
30	NON STOCKING	COMPRESSOR MOUNTING PANEL	1				



Model: CR2-TSI-HC

Parts List for Model: CR2-TSI-HC

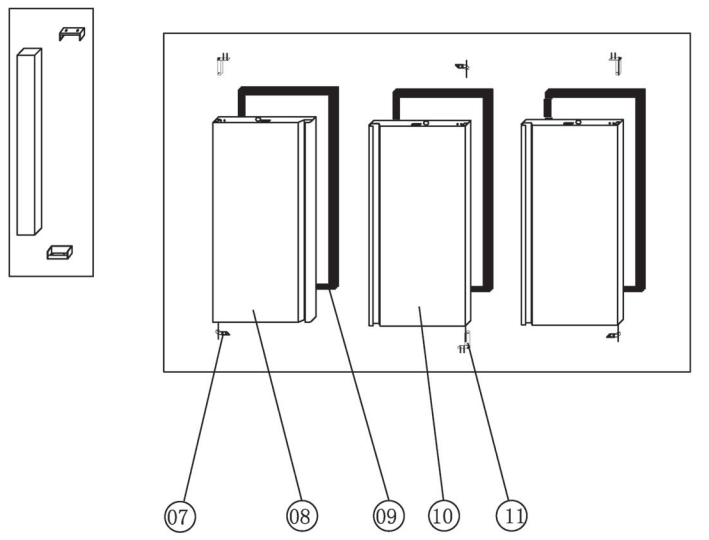
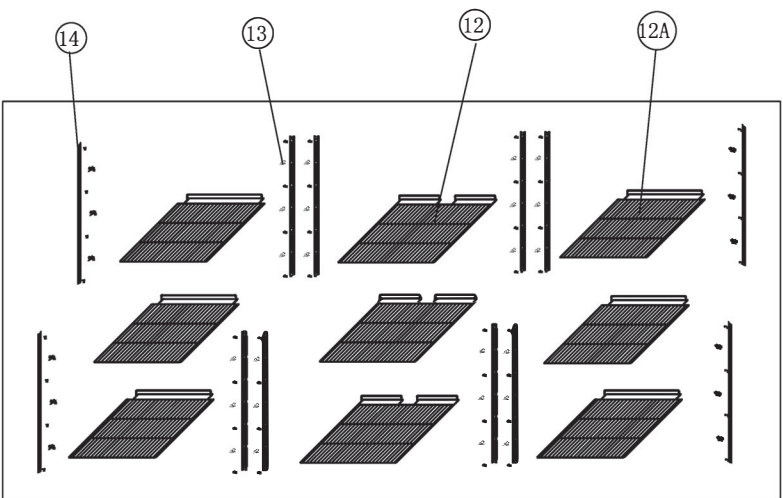
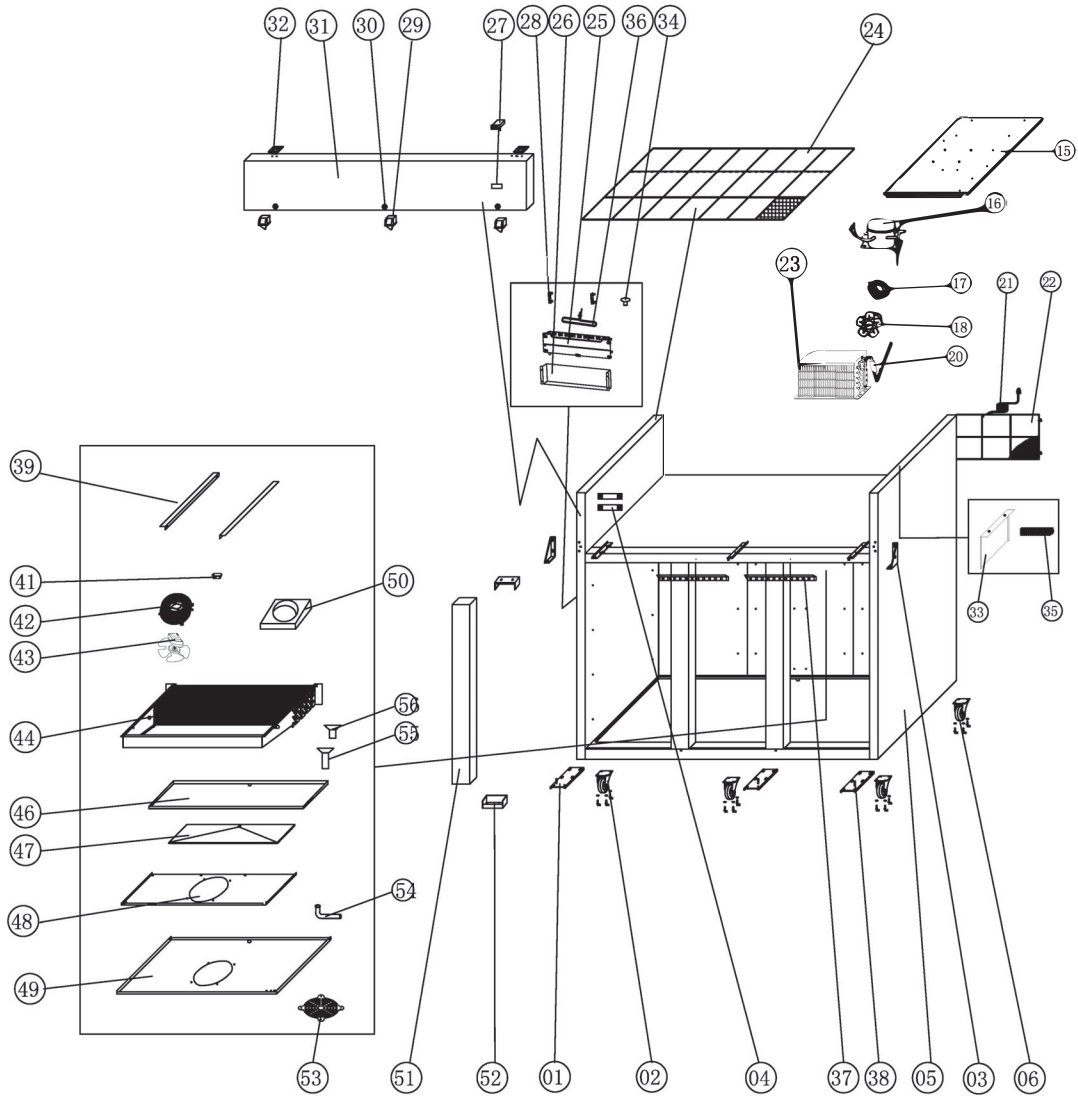
No.	PART #	DESCRIPTION	QTY	No.	PART #	DESCRIPTION	QTY
1	H20022	HINGE, LOWER LEFT/RIGHT (TOP-MOUNT)	2	30	C20009	COVER, SCREEN, TOP, CONDENSER, 2DR	1
2	H00327.1	HINGE PIN W/NUT & BUSHING (NEW STYLE)	2	31	NON STOCKING	EVAPORATOR SUPPORT	1
3	H00316	CASTER, 4" DIAMETER W/BRAKE	2	32	H00335	SENSOR CLIP	1
4	NON STOCKING	CABINET	1	33	H00112	EVAPORATOR FAN GUARD, WHITE	1
5	H00317	CASTER, 4" DIAMETER, W/O BRAKE	2	34	H00114-1	EVAPORATOR FAN MOTOR, ECM7108 (ECM7108AAA1DA406) (1082 CFM, 1300 RPM) 100-120V 50/60HZ, 14W	1
6	H00326	HINGE AXIS JACKET, BOTTOM	2	35	HC0351R	EVAPORATOR COIL (HC-54R)	1
7	HC0324-2	DOOR LEFT/RIGHT (SS INTERIOR)	1	36	GHC3014	AIR DUCT	1
9	H00308	SHELF, LEFT/RIGHT (23.62" X 24.33")	6	38	H00143.1	DRAIN PAN, EVAPORATOR 54F (USE AFTER 1409)	1
10	H00325-2	GASKET, DOOR TOP MOUNT (24-3/4 X 61-7/16 BLACK)	2	39	HC0131	MOTOR SUPPORT, EVAP FAN, WHITE (2 DOOR)	1
11	HC0328	DOOR CLOSURE	2	40	H00136S	MOTOR SUPPORT, EVAP FAN (REPLACES H00136)	1
12	C20028	HINGE, UPPER LEFT ONLY	2	41	HC0147	SUCTION PIPE	1
14	H00219-2	CONTROLLER, DIXELL (XR20CX-4R0F1)	1	42	C3234860	PILASTER SHELF CLIP	24
14	H00205	TEMPERATURE SENSOR NTC (118" LENGTH)	1	43	C2194688	LED LIGHT STRIP (REACH-IN) (LED2835, 2.4W, 24 VDC)	1
15	HC00357	KEY-DOOR, LOCK (SOLD IN PACK OF TWO)	2	44	H03343	PILASTER	8
17	C2194677	DOOR SWITCH 3 PIN WHITE (AFTER START OF HC)	2	45	H104070118	LED POWER SUPPLY (24VAC/6.7W)	1
18	HC2319.1	UPPER SHROUD, 2DR TOP MOUNT (FROM DATE CODE 2111)	1	46	C20029	HINGE, UPPER RIGHT ONLY	2
18	HC2319.1C	UPPER SHROUD, 2DR TOP MOUNT (FROM DATE CODE 2111) MOTAK/CENTAUR	1	47	NON-STOCKING	MOUNTING BRACKET	1
19	H00321	HINGE, SHROUD UPPER	2	48	H00215	TERMINAL BLOCK, 5 POLE	1
20	C20006	COVER, SCREEN, BACK CONDENSER, 2DR	1	50	HC00024-1	MULLION, CENTER (REFRRIGERATOR, TSI, AFTER CODE 2201)	1
21	C2194681	POWER CORD, 18AWG/NEMA 5-15P	1	51	HC00112-1	MULLION BRACKET, MIDDLE (USE AFER DATE CODE 2201)	2
22	NON-STOCKING	COMPRESSOR MOUNTING PANEL	1	52	H03336	DRAIN JOINT	1
23	H00039F	COMPRESSOR (EM2X3125U) W/ FILTER DRYER	1	53	NON-STOCKING	DISCHARGE PIPE CLIP	2
23	H00228	START KIT FOR EM2X3125U	1	54	C30002-2	CONDENSER DRAIN BOX COVER (USE FROM DATE CODE 2201)	1
23	H01302	CAPILLARY TUBE .055" ID X 118.11" L	1	55	H108110138	EVAPORATOR FAN GUARD	1
25	H00341	FILTER DRIER	1	56	NON STOCKING	SUPPORT PAN	1
26	RD00111	CONDENSER FAN GRILL	1	57	H00336	DRAIN JOINT	1
27	H00110	CONDENSER FAN MOTOR, 9W, M4Q045-CA27-04/CA01	1	58	G30002	DRAIN FITTING (F)	1
28	HC0346	CONDENSER COIL (HC-HGD12F)	1	59	G30001	DRAIN PIPE FITTING	1
29	C30302	CONDENSER DRAIN BOX, TOP MOUNT	1				



Model: CF2-TSI-HC

Parts List for Model: CF2-TSI-HC

No.	PART #	DESCRIPTION	QTY	No.	PART #	DESCRIPTION	QTY
1	C20021	HINGE, LOWER LEFT/RIGHT TOP-MOUNT (USE AFTER DATE CODE 2201)	1	29	C30302	CONDENSER DRAIN BOX, TOP MOUNT	1
2	H00327.1	HINGE PIN W/NUT & BUSHING (NEW STYLE)	2	30	C20009	COVER, SCREEN, TOP, CONDENSER, 2DR	1
3	H00316	CASTER, 4" DIAMETER W/BRAKE	2	31	NON STOCKING	EVAPORATOR SUPPORT	1
4	NON STOCKING	CABINET	1	33	H00112-1	FAN GUARD, EVAPORATOR	1
5	H00317	CASTER, 4" DIAMETER, W/O BRAKE	2	34	H00114-1	EVAPORATOR FAN MOTOR, ECM7108 (ECM7108AAA1DA406) (1082 CFM, 1300 RPM) 100-120V 50/60HZ, 14W	1
6	H00326	HINGE AXIS JACKET, BOTTOM	2	35	HC0351F	EVAPORATOR COIL (G-54F)	1
7	HC0324-2	DOOR LEFT/RIGHT (SS INTERIOR)	2	36	HC0202	DEFROST HEATING ELEMENT	1
8	H03335	SENSOR CLIP	1	37	H00143.1	DRAIN PAN, EVAPORATOR 54F (USE AFTER 1409)	1
9	H00308	SHELF, LEFT/RIGHT (23.62" X 24.33")	6	38	NON STOCKING	SUPPORT PAN	1
10	H00325-2	GASKET, DOOR TOP MOUNT (24-3/4 X 61-7/16 BLACK)	2	39	GHC03921	EVAPORATOR FAN SUPPORT	1
11	HC0328	DOOR CLOSURE	1	40	H00136S	MOTOR SUPPORT, EVAP FAN (REPLACES H00136)	1
12	C20028	HINGE, UPPER LEFT ONLY	2	41	H00212	HEATER, DRAIN PIPE	1
14	HC0204	CONTROLLER, DIXELL (XR60CX-4R0F1)	1	42	C3234860	PILASTER SHELF CLIP	24
14	H00205	TEMPERATURE SENSOR NTC (118" LENGTH)	2	43	C2194688	LED LIGHT STRIP (REACH-IN) (LED2835, 2.4W, 24 VDC)	1
15	HC00357	KEY-DOOR, LOCK (SOLD IN PACK OF TWO)	2	44	H03343	PILASTER	8
17	C2194677	DOOR SWITCH 3 PIN WHITE (AFTER START OF HC)	2	45	H104070118	LED POWER SUPPLY (24VAC/6.7W)	1
18	HC2319.1	UPPER SHROUD, 2DR TOP MOUNT (FROM DATE CODE 2111)	1	46	C20029	HINGE, UPPER RIGHT ONLY	2
18	HC2319.1C	UPPER SHROUD, 2DR TOP MOUNT (FROM DATE CODE 2111) (MOTAK/CENTAUR)	1	47	NON-STOCKING	MOUNTING BRACKET	1
19	H00321	HINGE, SHROUD UPPER	2	48	H00215	TERMINAL BLOCK, 5 POLE	1
20	C20006	COVER, SCREEN, BACK CONDENSER, 2DR	1	49	H108110138	EVAPORATOR FAN GUARD	1
21	C2194684	POWER CORD, 14AWG/NEMA 5-15P	1	50	HRI2004	DISCHARGE PIPE	1
22	NON-STOCKING	COMPRESSOR MOUNTING PANEL	1	51	GHC3014	AIR DUCT	1
23	HC0014F	COMPRESSOR (SCE18CNLX) W/ FILTER DRYER	1	52	HC00118-1	MULLION, CENTER (FREEZER, TSI, AFTER CODE 2201)	1
23	HC0014K	START KIT FOR SCE18CNLX	1	53	HC00112-1	MULLION BRACKET, MIDDLE (USE AFER DATE CODE 2201)	2
23	H00304	CAPILLARY TUBE .055" ID X 129.92" L	1	54	H03336	DRAIN JOINT	1
25	H00341	FILTER DRIER	1	55	NON-STOCKING	DISCHARGE PIPE CLIP	2
26	HC0113	CONDENSER FAN GRILL	2	56	C30002-2	CONDENSER DRAIN BOX COVER (USE FROM DATE CODE 2201)	1
27	H00125	CONDENSER FAN MOTOR, BD03-04/CO6 (5W)	2	57	H00207	FUSE, THERMAL, DEFROST HEATER	1
28	HC0348	CONDENSER COIL (TWO FAN) (HC-54F)	1				



Model: CR3-TSI-HC

Parts List for Model: CR3-TSI-HC

No.	PART #	DESCRIPTION	QTY	No.	PART #	DESCRIPTION	QTY
1	H20022	HINGE, LOWER LEFT/RIGHT (TOP-MOUNT)	3	27	H00219-2	CONTROLLER, DIXELL (XR20CX-4R0F1)	1
2	H00316	CASTER, 4" DIAMETER W/BRAKE	3	27	H00205	TEMPERATURE SENSOR NTC (118" LENGTH)	1
3	C20028	HINGE, UPPER LEFT ONLY		28	NON-STOCKING	DISCHARGE PIPE CLIP	2
3	C20029	HINGE, UPPER RIGHT ONLY		29	C2194677	DOOR SWITCH 3 PIN WHITE (AFTER START OF HC)	3
3	C20027	HINGE, UPPER, MIDDLE		30	HC00357	KEY-DOOR, LOCK (SOLD IN PACK OF TWO)	1
4	H104070118	LED POWER SUPPLY (24VAC/6.7W)	2	31	CC0320S-TSI	UPPER SHROUD, 3DR, TOP MOUNT (MOTAK/CENTAUR)	1
5	NON STOCKING	CABINET	1	31	HC0320S-TSI	UPPER SHROUD, 3DR, TOP MOUNT (REPLACES HC0320-TSI)	1
6	H00317	CASTER, 4" DIAMETER, W/O BRAKE	2	32	H00321	HINGE, SHROUD UPPER	2
7	H00326	HINGE AXIS JACKET, BOTTOM	3	33	NON-STOCKING	MOUNTING BRACKET	1
8	HC0324-2	DOOR, SOLID, TOP MOUNT, SS INTERIOR, (AFTER DATE CODE 2201, HC)	3	34	H03336	DRAIN JOINT	1
9	H00325-2	GASKET, DOOR TOP MOUNT (24-3/4 X 61-7/16 BLACK)	3	35	H00215	TERMINAL BLOCK, 5 POLE	1
11	HC0328	DOOR CLOSURE	3	36	HC0157	SUCTION PIPE	1
12A	H00308	SHELF, LEFT/RIGHT (23.62" X 24.33")	6	37	C2194688	LED LIGHT STRIP (REACH-IN) (LED2835, 2.4W, 24 VDC)	2
12	H00310	SHELF, MIDDLE (24.3" X 26.0")	3	38	H00327.1	HINGE PIN W/NUT & BUSHING (NEW STYLE)	3
13	C3234860	PILASTER SHELF CLIP	36	39	NON STOCKING	EVAPORATOR SUPPORT	1
14	H03343	PILASTER	12	41	H00335	SENSOR CLIP	1
15	NON-STOCKING	COMPRESSOR MOUNTING PANEL	1	42	H00112	EVAPORATOR FAN GUARD, WHITE	1
16	HC0009F	COMPRESSOR (NUG90LR) W/ FILTER DRIER	1	43	H00114-3	EVAPORATOR FAN MOTOR, L=1200, 100-120V 50/60HZ, 14W	1
16	H00230	START KIT FOR NUG90LR	1	44	HC0351F	EVAPORATOR COIL (G-54F)	1
16	H00305	CAPILLARY TUBE .063" ID X 177.17" L	1	46	H00143.1	DRAIN PAN, EVAPORATOR 54F (USE AFTER 1409)	1
17	HC0113	CONDENSER FAN GRILL	1	47	NON STOCKING	SUPPORT PAN	1
18	H00125	CONDENSER FAN MOTOR, BD03-04/CO6 (5W)	1	48	GHC03921	EVAPORATOR FAN SUPPORT	1
20	H00341	FILTER DRIER	1	49	H00136S	MOTOR SUPPORT, EVAP FAN (REPLACES H00136)	1
21	C2194684	POWER CORD, 14AWG/NEMA 5-15P	1	50	GHC3014	AIR DUCT	1
22	C20007	COVER, SCREEN, BACK CONDENSER, 3DR	1	51	HC00024-1	MULLION, CENTER (REFRRIGERATOR, TSI, AFTER CODE 2201)	2
23	HC0348	CONDENSER COIL (TWO FAN) (HC-54F)	1	52	HC00112-1	MULLION BRACKET, MIDDLE (USE AFER DATE CODE 2201)	4
24	C20010	COVER, SCREEN, TOP CONDENSER, 3D	1	53	H00112-1	EVAPORATOR FAN GUARD	1
25	C30302	CONDENSER DRAIN BOX, TOP MOUNT	1	54	H00336	DRAIN JOINT	1
26	C30002-2	CONDENSER DRAIN BOX COVER (USE FROM DATE CODE 2201)	1	55	G30002	DRAIN FITTING (F)	1
				56	G30001	DRAIN PIPE FITTING	1



PARTS LIST
FOR REACH-IN MODELS:
CR1-TSI-HC, CF1-TSI-HC, CR2-TSI-HC,
CF2-TSI-HC, CR3-TSI-HC



For Parts please Call (704) 900-2068

Revision Date (CWL): February 13, 2025