



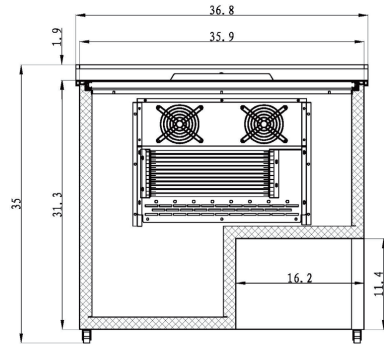
PARTS LIST FOR
SLIDE TOP BOTTLE COOLER MODEL:
BST-36-HC, BST-50-HC, BST-65-HC, BST-94-HC



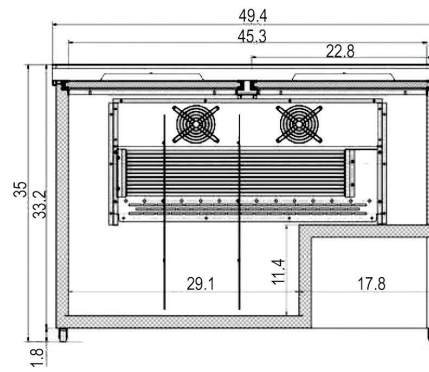
For Parts please Call (704) 900-2068

Revision Date: February 18, 2025

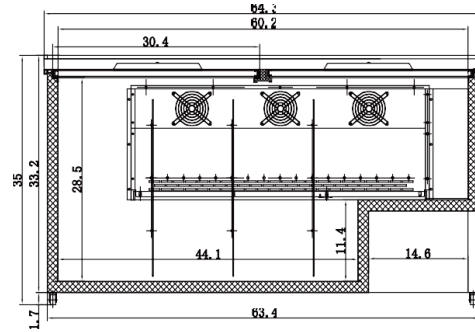
BST-36-HC



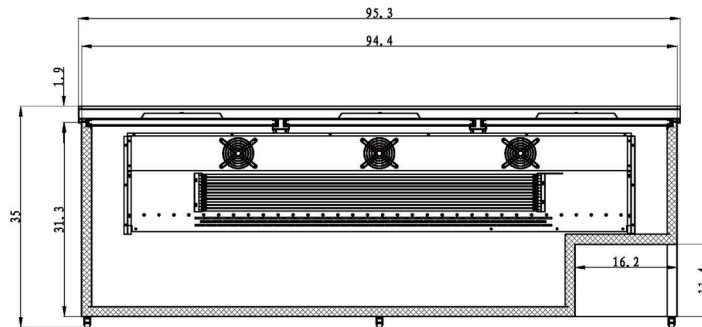
BST-50-HC



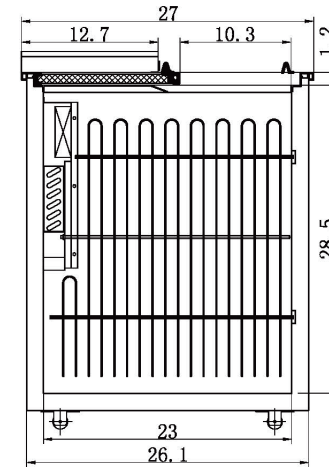
BST-65-HC



BST-94-HC



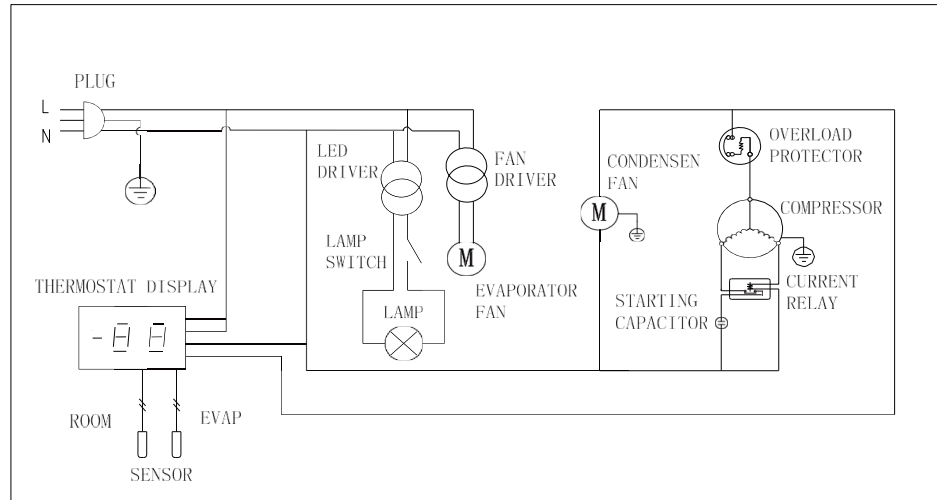
SIDE VIEW ALL MODELS



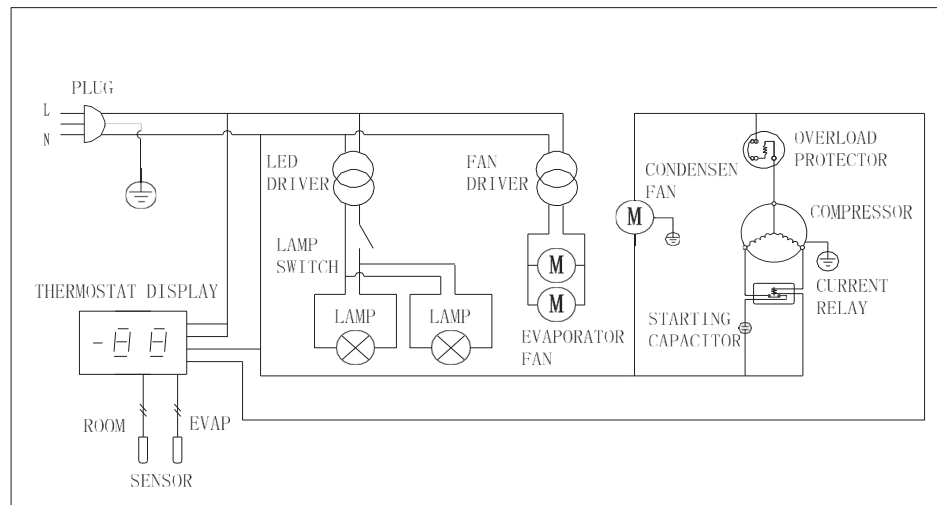
Model	# of Lids	Dividers	Cabinet Dim (in)			HP	Voltage /Hz /Ph	Amp	NEMA Plug	Cord Length (ft)	Created Weight (lbs.)
			W	D	H						
BST-36-SI-HC	1	-	36.8	27	35	3/8	115/60/1	1.8	5-15P	8.2	212
BST-50-SI-HC	2	2	49.4	27	35	1/2	115/60/1	3.0	5-15P	8.2	309
BST-65-SI-HC	2	3	64.3	27	35	1/2	115/60/1	3.0	5-15P	8.2	353
BST-94-SI-HC	3	3	95.3	27	35	1/2	115/60/1	3.0	5-15P	8.2	439

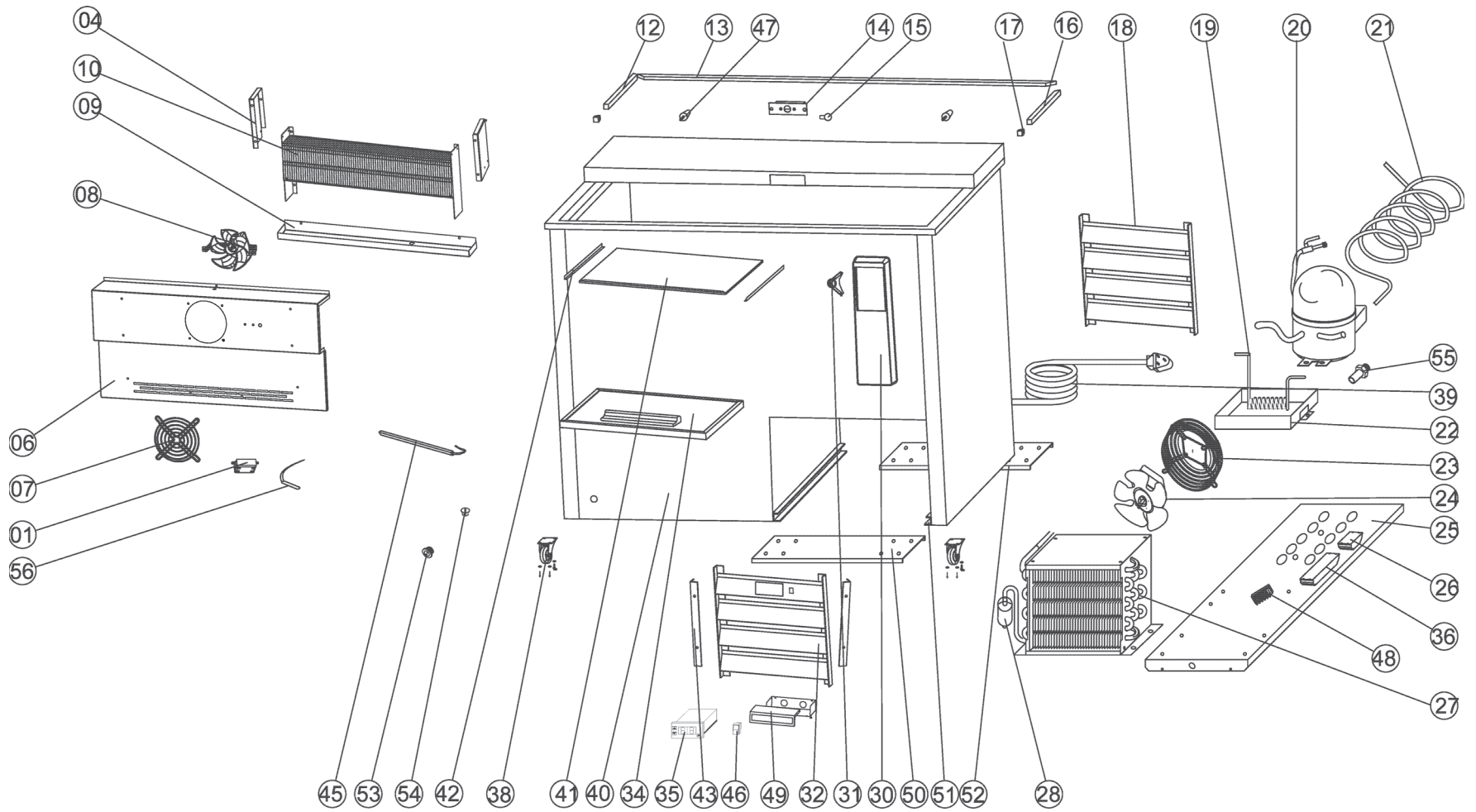
MODEL#	V/Hz/Ph	AMPS	STORAGE CAPACIT	HP	BTU	CHARGE OZ	SHIP WEIGHT LBS	NEMA PLUG	FREON TYPE
BST-36-HC	115/60/1	1.8	10	3/8	2000	2.12	161	5-15P	R600
BST-50-HC	115/60/1	3.0	15	1/2	3200	2.47	310	5-15P	R600
BST-65-HC	115/60/1	3.0	20	1/2	5400	3.17	353	5-15P	R600
BST-94-HC	115/60/1	3.3	26	1/2	7600	3.53	439	5-15P	R290

MODEL: BST-36-HC, BST-50-HC, BST-65-HC



MODEL: BST-94-HC

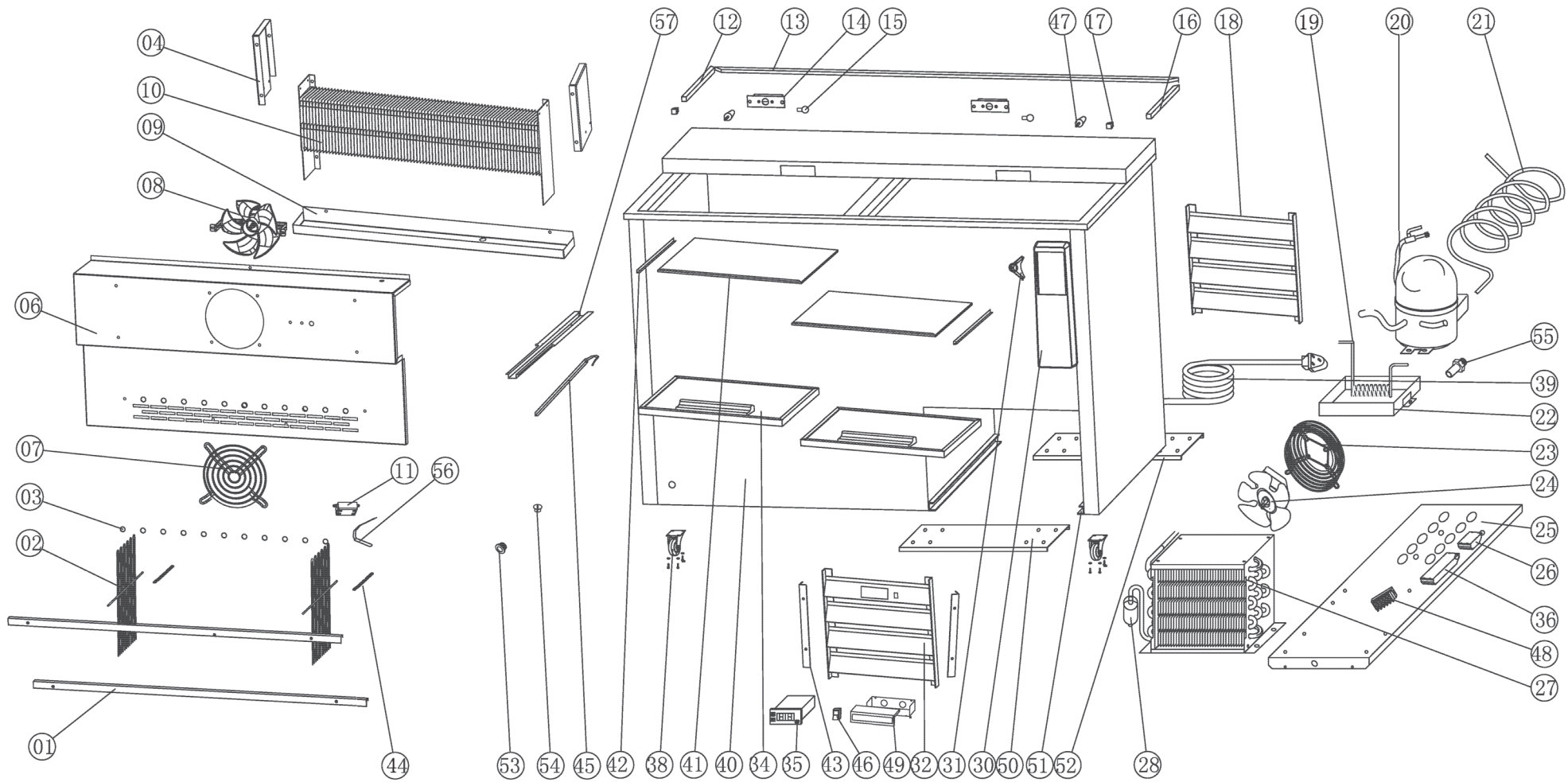




BST-36-SI-HC

Parts List for Model: BST-36-SI-HC

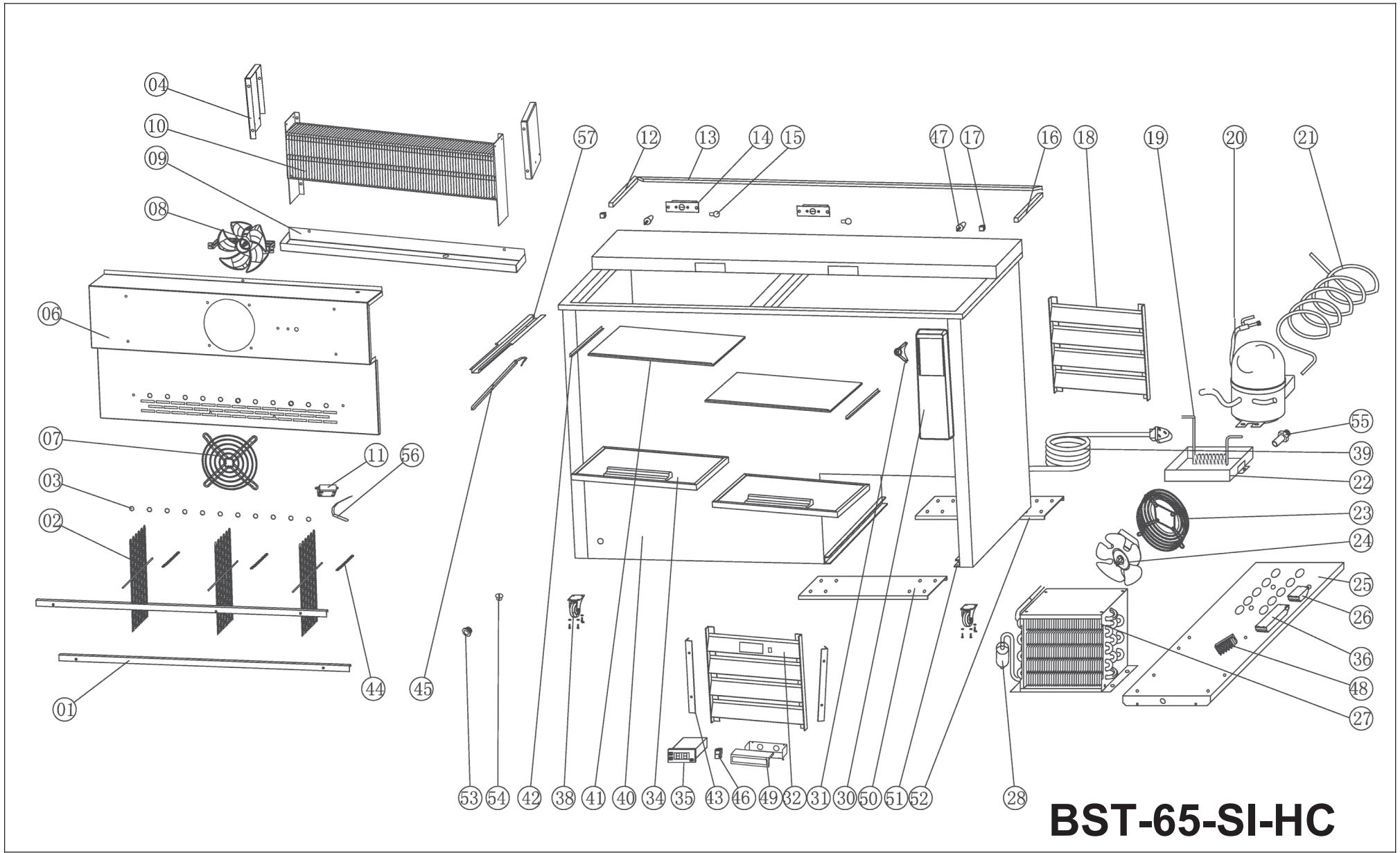
No.	PART #	DESCRIPTION	QTY	No.	PART #	DESCRIPTION	QTY
1	H03335	SENSOR FIXED CLIP	1	32	BC30917-1	FRONT LOUVERED PANEL	1
4	NON STOCKING	EVAPORATOR SUPPORT BRACKET	1	34	BC30036	DOOR	1
6	BST0036	EVAPORATOR COVER	1	34	BC30908	HANDLE	1
7	BC30910	EVAPORATOR FAN GUARD	1	35	H00219-2	CONTROLLER, DIXELL (XR20CX-4R0F1)	1
8	HC0116-5	EVAPORATOR FAN MOTOR (BLDC L-1200RPM)	1	36	G10006	LED POWER SUPPLY (LED-B-13VDC-15W)	1
9	BC30922-1	EVAPORATOR DRAIN PAN	1	38	H01317	CASTER REAR, 2.5" W/O BRAKE	2
10	BC50036	EVAPORATOR COIL	1	38	H01316	CASTER FRONT, 2.5" W/ BRAKE	2
12	NON STOCKING	LEFT STRIP	1	39	C2194681	POWER CORD, 18AWG/NEMA 5-15P	1
13	NON STOCKING	BACK STRIP	1	40	NON STOCKING	CABINET	1
14	BC30909	LOCK BOX	1	40	NON STOCKING	MAIN TOP	1
14	NON STOCKING	LOCK BOX COVER	1	41	NON STOCKING	INSULLATING PANEL	1
15	BC30704	DOOR LOCK	1	42	NON STOCKING	PANEL SUPPORT, LEFT	1
16	NON STOCKING	RIGHT STRIP	1	42	NON STOCKING	PANEL SUPPORT, RIGHT	1
17	NON STOCKING	CLIP	2	43	NON STOCKING	MOUNTING BRACKET, LEFT	1
18	BC30916	REAR LOUVERED PANEL	1	43	NON STOCKING	MOUNTING BRACKET, RIGHT	1
19	BC30942	EVAPORATOR PIPE	1	45	BC00037	LED LIGHT	1
20	H00029F	COMPRESSOR (HDL125D) W/ DRIER	1	46	C2194692	LIGHT SWITCH	1
20	H00029K	START KIT FOR HDL125D	1	46	HC10018	THERMOSTAT PROTECTIVE COVER	1
20	H01301	CAPILLARY TUBE (.039" ID X 118.11" L)	1	47	H02315	REAR WALL SPACER	2
21	BC30940-1	SUCTION PIPE	1	48	H00215	TERMINAL BLOCK, 5 POLE	1
22	BC30911	CONDENSER DRAIN PAN	1	49	NON STOCKING	THERMOSTAT COVER BOX	1
23	HC0113	CONDENSER FAN GUARD	1	49	NON STOCKING	THERMOSTAT PROTECTIVE COVER	1
24	HC0110	CONDENSER FAN MOTOR, BC20G (YZF10-20-26)	1	50	NON STOCKING	CASTER SUPPORT CHANNEL	1
24	H00121	CONDENSER FAN BLADE, V200	1	51	NON STOCKING	GUIDE RAIL	2
25	NON STOCKING	CONDENSER SUPPORT PANEL	1	52	NON STOCKING	CASTER SUPPORT CHANNEL	1
26	BC00036	LED POWER SUPPLY (TR-LD0603-12V/6W)	1	53	GF0001	DRAIN PIPE NUT, BLACK	1
27	HC1347	CONDENSER COIL	1	54	BC300073	DRAIN PIPE FITTING, BLACK	1
28	RD0341	FILTER DRIER	1	55	BC110246	DRAIN PIPE FITTING, BLACK	1
30	BC30903	BOTTLE CAP BOX	1	56	H00205	TEMPERATURE SENSOR NTC TYPE (118" LENGTH)	2
31	BC30902	BOTTLE OPENER	1	56	H00232	SENSOR CONNECTOR	1



BST-50-SI-HC

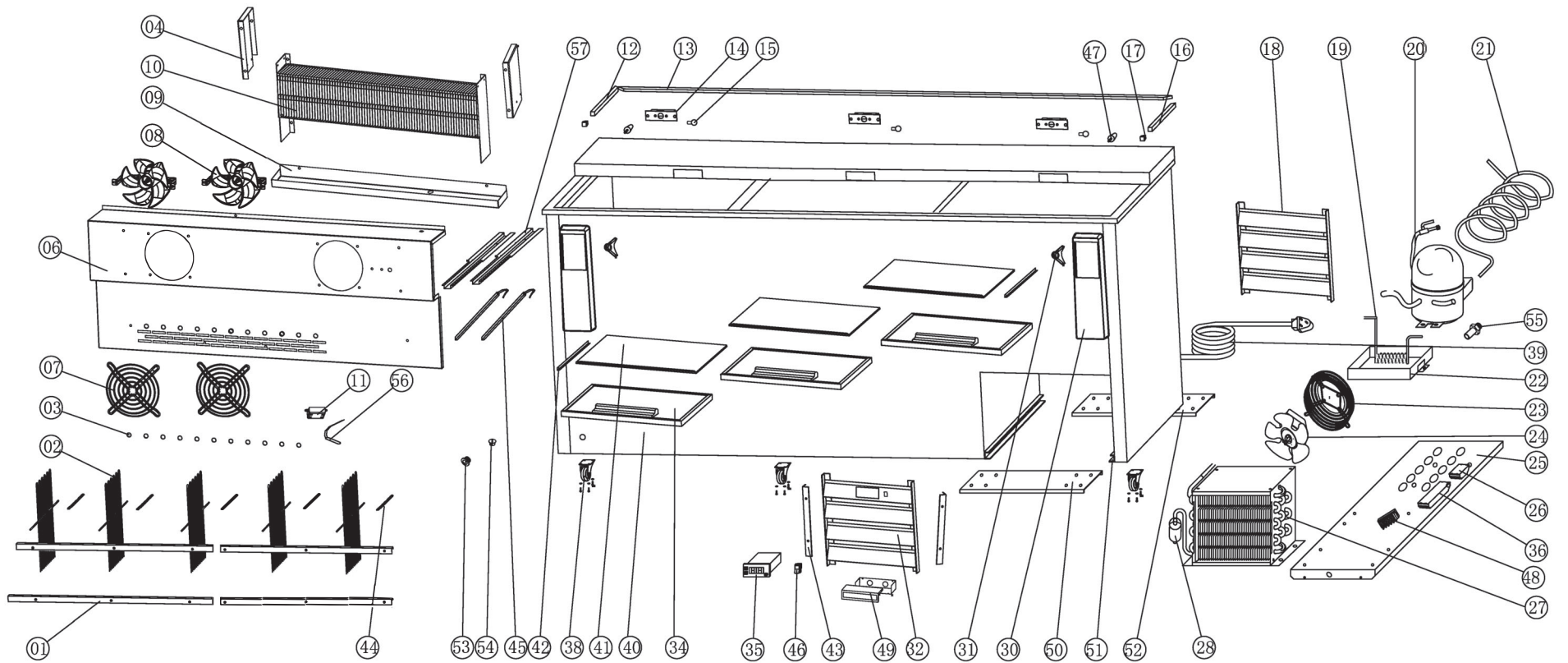
Parts List for Model: BST-50-SI-HC

No.	PART #	DESCRIPTION	QTY	No.	PART #	DESCRIPTION	QTY
1	NON STOCKING	SUPPORT BRACKET	2	32	BC30917-1	FRONT LOUVERED PANEL	1
2	BC30913	SHELF (21.73" X 23.82")	2	34	BC40050	DOOR	2
3	BC30914	SHELF PROTECTOR PIN	32	34	BC30908	HANDLE	2
4	NON STOCKING	EVAPORATOR SUPPORT BRACKET	1	35	H00219-2	CONTROLLER, DIXELL (XR20CX-4R0F1)	1
6	BST0050	EVAPORATOR COVER	1	36	G10006	LED POWER SUPPLY (LED-B-13VDC-15W)	1
7	BC30910	EVAPORATOR FAN GUARD	1	38	H01317	CASTER REAR, 2.5" W/O BRAKE	2
8	HC0116-5	EVAPORATOR FAN MOTOR (BLDC L-1200RPM)	1	38	H01316	CASTER FRONT, 2.5" W/ BRAKE	2
9	BC30906-1	EVAPORATOR DRAIN PAN	1	39	C2194681	POWER CORD, 18AWG/NEMA 5-15P	1
10	BC50050	EVAPORATOR COIL	1	40	NON STOCKING	CABINET	1
11	H03335	SENSOR FIXED CLIP	1	40	NON STOCKING	MAIN TOP	1
12	NON STOCKING	LEFT STRIP	1	40	BC30033	CENTER SUPPORT SET (NON-STOCK PART)	1
13	NON STOCKING	BACK STRIP	1	41	NON STOCKING	INSULLATING PANEL	2
14	BC30909	LOCK BOX	2	42	NON STOCKING	PANEL SUPPORT, LEFT	1
14	NON STOCKING	LOCK BOX COVER	2	42	NON STOCKING	PANEL SUPPORT, RIGHT	1
15	BC30704	DOOR LOCK	2	43	NON STOCKING	MOUNTING BRACKET, LEFT	1
16	NON STOCKING	RIGHT STRIP	1	43	NON STOCKING	MOUNTING BRACKET, RIGHT	1
17	NON STOCKING	CLIP	2	44	BC30918	SPRING	2
18	BC30916	REAR LOUVERED PANEL	1	45	BC00037	LED LIGHT	1
19	BC30942	EVAPORATOR PIPE	1	46	C2194692	LIGHT SWITCH	1
20	H00034F	COMPRESSOR (HDL140D) W/ DRIER	1	47	H02315	REAR WALL SPACER	2
20	H00227	START KIT FOR HDL140D	1	48	H00215	TERMINAL BLOCK, 5 POLE	1
20	H01301	CAPILLARY TUBE (.039" ID X 118.11" L)	1	49	NON STOCKING	THERMOSTAT COVER BOX	1
21	BC30940	SUCTION PIPE	1	49	NON STOCKING	THERMOSTAT PROTECTIVE COVER	1
22	BC30911	CONDENSER DRAIN PAN	1	50	NON STOCKING	CASTER SUPPORT CHANNEL	1
23	HC0113	CONDENSER FAN GUARD	1	51	NON STOCKING	GUIDE RAIL	2
24	HC0110	CONDENSER FAN MOTOR, BC20G (YZF10-20-26)	1	52	NON STOCKING	CASTER SUPPORT CHANNEL	1
24	H00121	CONDENSER FAN BLADE, V200	1	53	GF0001	DRAIN PIPE NUT, BLACK	1
25	NON STOCKING	CONDENSER SUPPORT PANEL	1	54	BC300073	DRAIN PIPE FITTING, BLACK	1
26	BC00036	LED POWER SUPPLY (TR-LD0603-12V/6W)	1	55	BC110246	DRAIN PIPE FITTING, BLACK	1
27	HC1347	CONDENSER COIL	1	56	H00205	TEMPERATURE SENSOR NTC TYPE (118" LENGTH)	2
28	RD0341	FILTER DRIER	1	56	H00232	SENSOR CONNECTOR	1
30	BC30903	BOTTLE CAP BOX	1	57	NON STOCKING	AIR CONDUCT BOARD SUPPORT/M	1
31	BC30902	BOTTLE OPENER	1				



Parts List for Model: BST-65-SI-HC

No.	PART #	DESCRIPTION	QTY	No.	PART #	DESCRIPTION	QTY
1	NON STOCKING	SUPPORT BRACKET	2	30	BC30903	BOTTLE CAP BOX	1
2	BC30913	SHELF (21.73" X 23.82")	3	31	BC30902	BOTTLE OPENER	1
3	BC30914	SHELF PROTECTOR PIN	41	32	BC30917-1	FRONT LOUVERED PANEL	1
4	NON STOCKING	EVAPORATOR SUPPORT BRACKET	1	34	BC30028	DOOR	2
6	BST0065	EVAPORATOR COVER	1	34	BC30908	HANDLE	2
7	BC30910	EVAPORATOR FAN GUARD	1	35	H00219-2	CONTROLLER, DIXELL (XR20CX-4R0F1)	1
8	HC0116-5	EVAPORATOR FAN MOTOR (BLDC L-1200RPM)	1	36	G10006	LED POWER SUPPLY (LED-B-13VDC-15W)	1
9	BC30907-1	EVAPORATOR DRAIN PAN	1	38	H01317	CASTER REAR, 2.5" W/O BRAKE	2
10	BC50065	EVAPORATOR COIL	1	38	H01316	CASTER FRONT, 2.5" W/ BRAKE	2
11	H03335	SENSOR FIXED CLIP	1	39	C2194681	POWER CORD, 18AWG/NEMA 5-15P	1
12	NON STOCKING	LEFT STRIP	1	40	NON STOCKING	CABINET	1
13	NON STOCKING	BACK STRIP	1	40	NON STOCKING	MAIN TOP	1
14	BC30909	LOCK BOX	2	40	BC30033	CENTER SUPPORT SET (NON-STOCK PART)	1
14	NON STOCKING	LOCK BOX COVER	2	41	NON STOCKING	INSULLATING PANEL	2
15	BC30704	DOOR LOCK	2	42	NON STOCKING	PANEL SUPPORT, LEFT	1
16	NON STOCKING	RIGHT STRIP	1	42	NON STOCKING	PANEL SUPPORT, RIGHT	1
17	NON STOCKING	CLIP	2	43	NON STOCKING	MOUNTING BRACKET, LEFT	1
18	BC30916	REAR LOUVERED PANEL	1	43	NON STOCKING	MOUNTING BRACKET, RIGHT	1
19	BC30942	EVAPORATOR PIPE	1	44	BC30918	SPRING	3
20	H00034F	COMPRESSOR (HDL140D) W/ DRIER	1	45	BC00037	LED LIGHT	1
20	H00227	START KIT FOR HDL140D	1	46	C2194692	LIGHT SWITCH	1
20	H01301	CAPILLARY TUBE (.039" ID X 118.11" L)	1	47	H02315	REAR WALL SPACER	2
21	BC30940	SUCTION PIPE	1	48	H00215	TERMINAL BLOCK, 5 POLE	1
22	BC30911	CONDENSER DRAIN PAN	1	49	NON STOCKING	THERMOSTAT COVER BOX	1
23	HC0113	CONDENSER FAN GUARD	1	49	HC10018	THERMOSTAT PROTECTIVE COVER	1
24	HC0110	CONDENSER FAN MOTOR, BC20G (YZF10-20-26)	1	53	GF0001	DRAIN PIPE NUT, BLACK	1
24	H00121	CONDENSER FAN BLADE, V200	1	54	BC300073	DRAIN PIPE FITTING, BLACK	1
25	NON STOCKING	CONDENSER SUPPORT PANEL	1	55	BC110246	DRAIN PIPE FITTING, BLACK	1
26	BC00036	LED POWER SUPPLY (TR-LD0603-12V/6W)	1	56	H00205	TEMPERATURE SENSOR NTC TYPE (118" LENGTH)	2
27	HC1347	CONDENSER COIL	1	56	H00232	SENSOR CONNECTOR	1
28	RD0341	FILTER DRIER	1	57	NON STOCKING	AIR CONDUCT BOARD SUPPORT/M	1



BST-94-SI-HC

Parts List for Model: BST-94-SI-HC

No.	PART #	DESCRIPTION	QTY	No.	PART #	DESCRIPTION	QTY
1	NON STOCKING	SUPPORT BRACKET	4	30	BC30903	BOTTLE CAP BOX	2
2	BC30913	SHELF (21.73" X 23.82")	5	31	BC30902	BOTTLE OPENER	2
3	BC30914	SHELF PROTECTOR PIN	72	32	BC30917-1	FRONT LOUVERED PANEL	1
4	NON STOCKING	EVAPORATOR SUPPORT BRACKET	1	34	BC30094	DOOR	3
6	BST0094-1	EVAPORATOR COVER (BST94)	1	34	BC30908	HANDLE	3
7	BC30910	EVAPORATOR FAN GUARD	2	35	H00219-2	CONTROLLER, DIXELL (XR20CX-4R0F1)	1
8	HC0116-4	EVAPORATOR FAN MOTOR (BLDC L-2200RPM)	2	36	BD0044C	POWER SUPPLY (LED-B-13VDC-15W) FOR EVAP FAN	1
9	BC30923-1	EVAPORATOR DRAIN PAN	1	38	H01317	CASTER REAR, 2.5" W/O BRAKE	2
10	BC50094	EVAPORATOR COIL	1	38	H01316	CASTER FRONT, 2.5" W/ BRAKE	2
11	H03335	SENSOR FIXED CLIP	1	39	C2194681	POWER CORD, 18AWG/NEMA 5-15P	1
12	NON STOCKING	LEFT STRIP	1	40	NON STOCKING	CABINET	1
13	NON STOCKING	BACK STRIP	1	40	NON STOCKING	MAIN TOP	1
14	BC30909	LOCK BOX	3	40	BC30033	CENTER SUPPORT SET (NON-STOCK PART)	2
14	NON STOCKING	LOCK BOX COVER	3	41	NON STOCKING	INSULLATING PANEL	3
15	BC30704	DOOR LOCK	3	42	NON STOCKING	PANEL SUPPORT, LEFT	1
16	NON STOCKING	RIGHT STRIP	1	42	NON STOCKING	PANEL SUPPORT, RIGHT	1
17	NON STOCKING	CLIP	2	43	NON STOCKING	MOUNTING BRACKET, LEFT	1
18	BC30916	REAR LOUVERED PANEL	1	43	NON STOCKING	MOUNTING BRACKET, RIGHT	1
19	BC30942	EVAPORATOR PIPE	1	44	BC30918	SPRING	5
20	H00038F	COMPRESSOR (NUG45LR) W/ DRIER	1	45	BC00037	LED LIGHT	2
20	HC0038K	START KIT FOR NUG45LR	1	46	C2194692	LIGHT SWITCH	1
20	H01301	CAPILLARY TUBE (.039" ID X 118.11" L)	1	47	H02315	REAR WALL SPACER	2
21	BC30940	SUCTION PIPE	1	48	H00215	TERMINAL BLOCK, 5 POLE	1
22	BC30911	CONDENSER DRAIN PAN	1	49	NON STOCKING	THERMOSTAT COVER BOX	1
23	HC0113	CONDENSER FAN GUARD	1	49	HC10018	THERMOSTAT PROTECTIVE COVER	1
24	HC0110	CONDENSER FAN MOTOR, BC20G (YZF10-20-26)	1	53	GF0001	DRAIN PIPE NUT, BLACK	1
24	H00121	CONDENSER FAN BLADE, V200	1	54	BC300073	DRAIN PIPE FITTING, BLACK	1
25	NON STOCKING	CONDENSER SUPPORT PANEL	1	55	BC110246	DRAIN PIPE FITTING, BLACK	1
26	BC00036	LED POWER SUPPLY (TR-LD0603-12V/6W)	1	56	H00205	TEMPERATURE SENSOR NTC TYPE (118" LENGTH)	2
27	HC1347	CONDENSER COIL	1	56	H00232	SENSOR CONNECTOR	1
28	RD0341	FILTER DRIER	1	57	NON STOCKING	AIR CONDUCT BOARD SUPPORT/M	2



**PARTS LIST FOR
SLIDE TOP BOTTLE COOLER MODEL:
BST-36-HC, BST-50-HC, BST-65-HC, BST-94-HC**



For Parts please Call (704) 900-2068

Revision Date (CWL): February 18, 2025