



## PARTS LIST

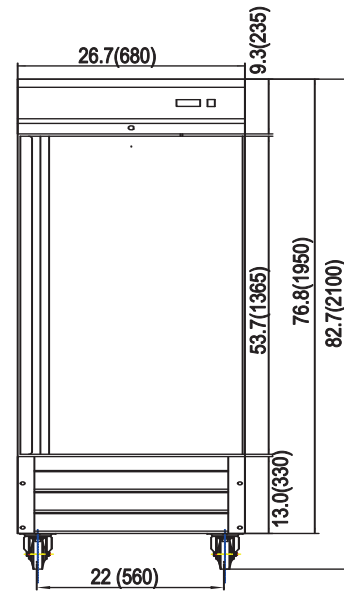
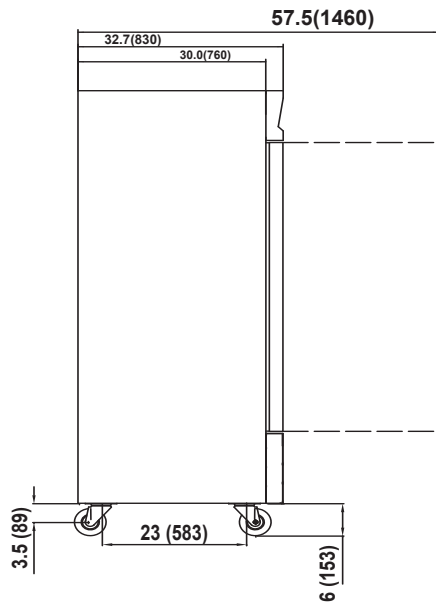
FOR REACH-IN MODELS:

CR1-ES-HC, CF1-ES-HC, CR2-ES-HC, CF2-ES-HC.  
CR3-HC, & CF3-DV-HC



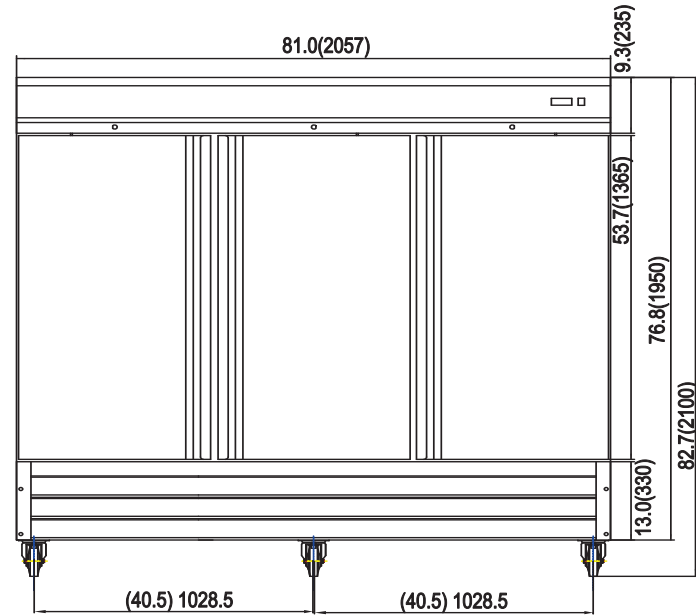
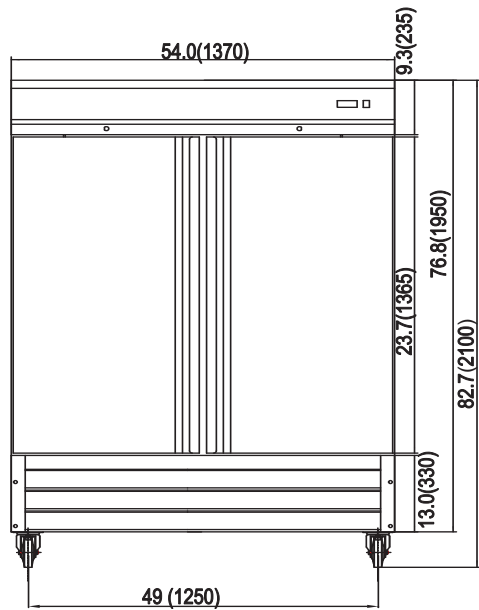
For Parts please Call (704) 900-2068

Revision Date: February 13, 2025



L14-20P

Y-X: 208V~230V/60Hz  
W-Y: 115V/60Hz




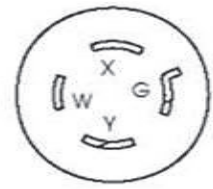
Model	Doors	Shelves	Cabinet Dim (inches)			HP	Voltage	Amps	NEMA Plug	Cord Length	Crated Weight
			L	D	H						
CR1-ES-HC	1	3	27	33.7	82.7	1/5	115/60/1	3.0	5-15P	10	350
CR2-ES-HC	2	6	54	33.7	82.7	1/4	115/60/1	4.5	5-15P	10	518
CR3-HC	3	9	81	33.7	82.7	1/2	115/60/1	7.0	5-15P	10	669
CF1-HC	1	3	27	33.7	82.7	1/2	115/60/1	8.0	5-15P	10	364
CF2-HC	2	6	54	33.7	82.7	1	115/60/1	8.0	5-15P	10	568
CF3-DV-HC	3	9	81	33.7	82.7	1 1/4	115/240/1	9.0	L14-20P	10	776

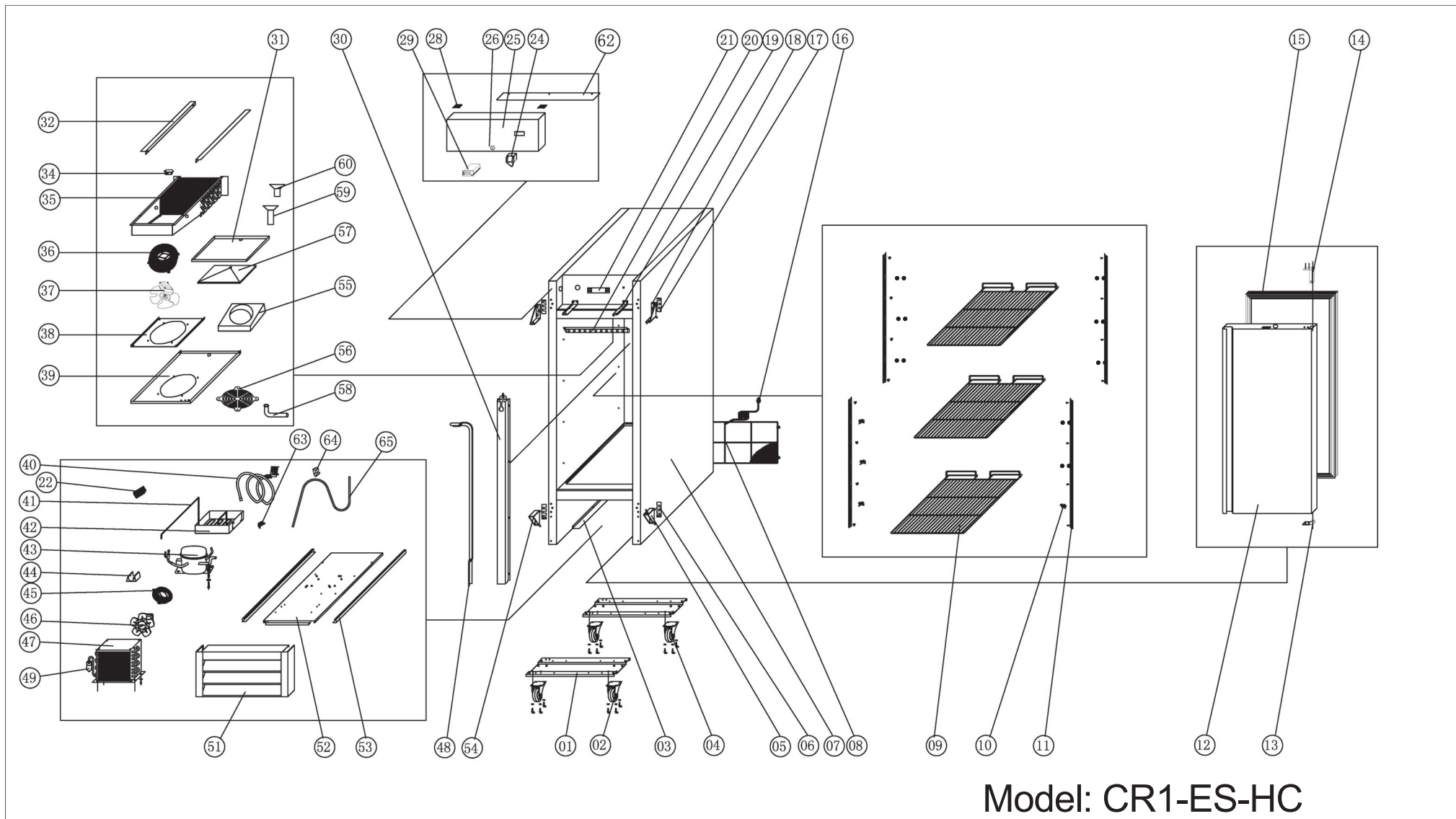
## SPECIFICATION: REACH-IN REFRIGERATORS

<b>SOLID DOOR REFRIGERATORS</b>									
MODEL#	V/Hz/Ph	AMPS	STORAGE CAPACITY Cu-ft	HP	SHELF CAPACITY Sq-ft	BTU	CHARGE OZ	SHIP WEIGHT LBS	NEMA PLUG
CR1-ES-HC	115/60/1	3	23	1/5	14.0	1670	3.0	350	5-15P
CR2-ES-HC	115/60/1	4.5	49	1/4	28.1	2380	3.7	518	5-15P
CR3-HC	115/60/1	7.5	72	1/2	42.1	3200	5.29	669	5-15P
CR1-SI-ES-HC	115/60/1	3	23	1/5	14.0	1670	3.0	350	5-15P
CR2-SI-ES-HC	115/60/1	4.5	49	1/4	28.1	2380	3.7	518	5-15P
CR3-SI-HC	115/60/1	7.5	72	1/2	42.1	3200	5.29	669	5-15P

## SPECIFICATION: REACH-IN FREEZERS

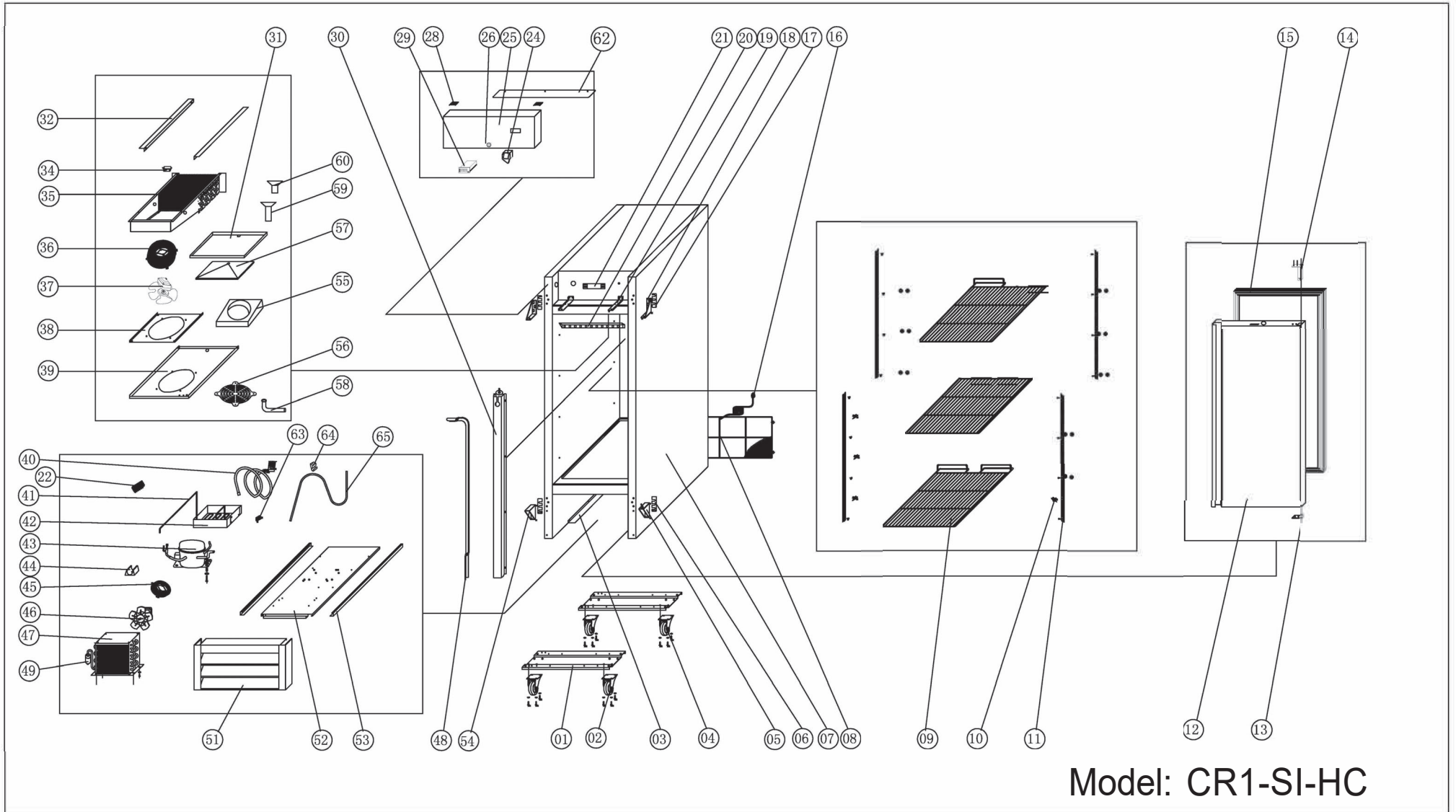
<b>SOLID DOOR FREEZERS</b>									
MODEL#	V/Hz/Ph	AMPS	STORAGE CAPACITY Cu-ft	HP	SHELF CAPACITY Sq-ft	BTU	CHARGE OZ	SHIP WEIGHT LBS	NEMA PLUG
CF1-HC	115/60/1	8	23	1/2	14.0	2000	3.88	364	5-15P
CF2-HC	115/60/1	9	49	1	28.1	3650	5.29	568	5-15P
CF1-SI-HC	115/60/1	8	23	1/2	14.0	2000	3.88	364	5-15P
CF2-SI-HC	115/60/1	9	49	1	28.1	3650	5.29	568	5-15P
CF3-DV-HC	230/60/1	9	72	1-1/4	42.1	4500	5.29	776	L14-20P
CF3-SI-DV-HC	230/60/1	9	72	1-1/4	42.1	4500	5.29	776	L14-20P

<p><b>Y-X: 208V~230V/60Hz</b></p> <p><b>W-Y: 115V/60HZ</b></p>	<div style="display: flex; justify-content: space-around; align-items: center;"> <div style="text-align: center;"> <p style="writing-mode: vertical-rl; transform: rotate(180deg);">L14-20R</p>  </div> <div style="text-align: center;"> <p style="writing-mode: vertical-rl; transform: rotate(180deg);">L14-20P</p>  </div> </div>
--	--



## Part List for Model CR1-ES-HC

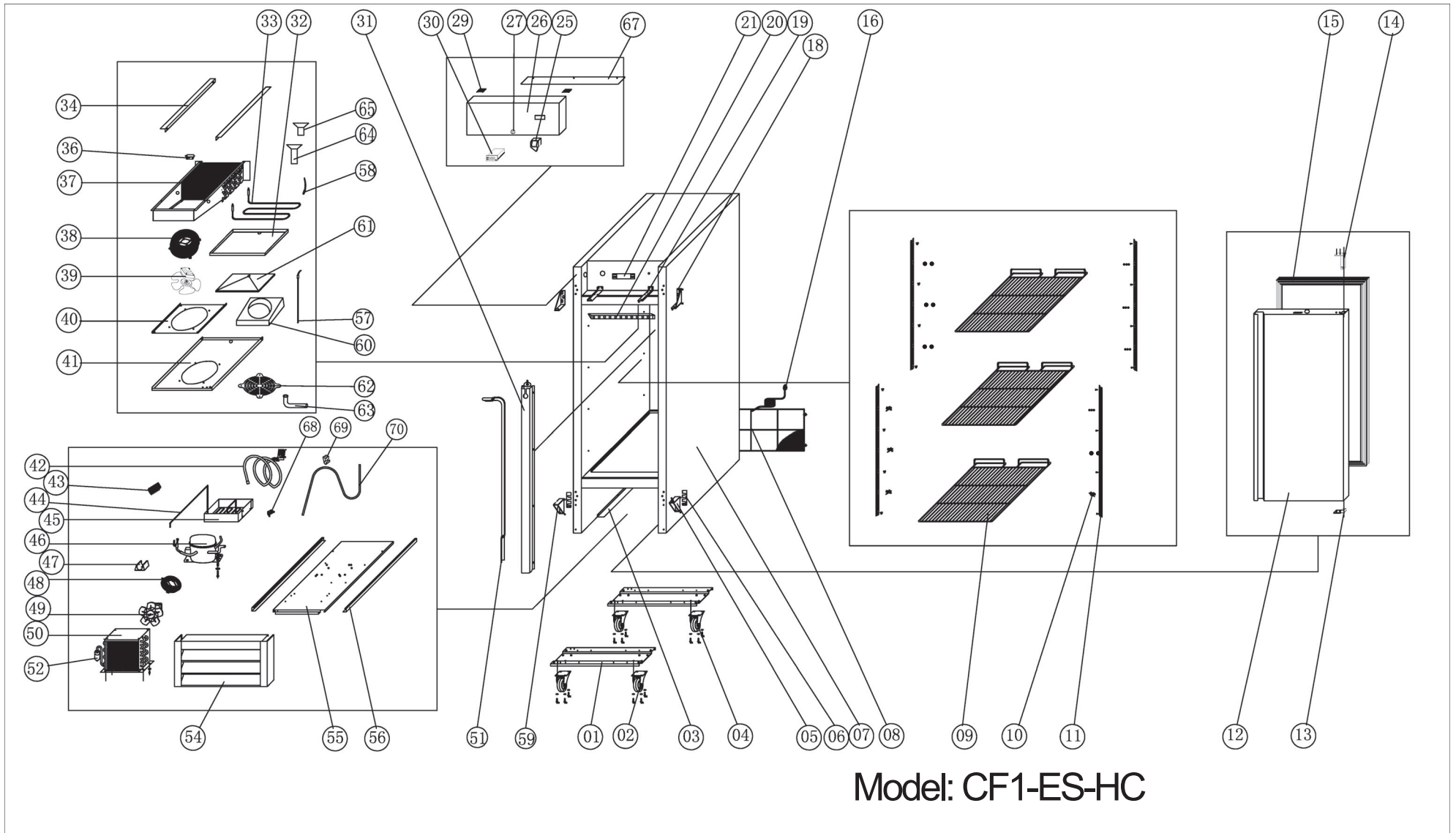
No.	PART #	DESCRIPTION	QTY	No.	PART #	DESCRIPTION	QTY
1	NON-STOCKING	BASE CHANEL	2	34	H00335	SENSOR CLIP	1
2	H00316	CASTER, 4" DIAMETER W/BRAKE	2	35	HC000111	EVAPORATOR COIL (HC-27R)	1
3	NON STOCKING	BAFFLE PLATE	1	36	H00112	EVAPORATOR FAN GUARD, WHITE	1
4	H00317	CASTER, 4" DIAMETER, W/O BRAKE	2	37	H00114-2	EVAPORATOR FAN MOTOR, ECM7108, L=600, 100-120V 50/60HZ, 14W	1
5	H00333	HINGE, BOTTOM RIGHT	1	38	H5202004565	MOTOR SUPPORT, EVAP FAN	1
6	H00329	SHIMS, LOWER DOOR HINGES	2	39	HC009063	EVAPORATOR COVER, WHITE	1
7	NON STOCKING	CABINET	1	40	HDV0011B	HELIX SUCTION PIPE+CAPILLARY B	1
8	H00313	COVER, LOWER, REAR COMPARTMENT	1	41	HC0149	SUCTION PIPE	1
9	H00307	SHELF, 1D (21.57" X 24.33")	3	42	C30014	CONDENSER DRAIN BOX	1
10	C3234860	PILASTER SHELF CLIP	12	43	HC0001F	COMPRESSOR (EM2X3117U) W/ FILTER DRIER	1
11	H00342	PILASTER	4	43	HC0001K	START KIT FOR EM2X3117U	1
12	H00324-3	DOOR, SOLID, BOTTOM MOUNT (HC)	1	43	H00301	CAPILLARY TUBE .055" ID X 196.9" L	1
13	H00326	HINGE AXIS JACKET, BOTTOM	1	44	NON-STOCKING	DRIER SUPPORT	1
14	HC0328	DOOR CLOSURE	1	45	RD00111	CONDENSER FAN GRILL	1
15	H00325-3	GASKET, DOOR BOTTOM MOUNT (HC) (52 3/8" X 24 13/16")	1	46	H00110	CONDENSER FAN MOTOR, 9W, M4Q045-CA27-04/CA01	1
16	C2194681	POWER CORD, 18AWG/NEMA 5-15P	1	47	HC0347	CONDENSER COIL (G-SS45BT)	1
17	H00329-1	SHIMS, UPPER DOOR HINGES	2	48	HDV008A	VERTICAL SUCTION PIPE+CAPILLARY A	1
18	H00331	HINGE, TOP RIGHT	1	49	H00341	FILTER DRIER	1
19	NON-STOCKING	UPPER SHROUD SUPPORT BRACKET	2	51	H00437-1	SHROUD, LOWER 1D (USE FROM DATE CODE 2201)	1
20	C2194688	LED LIGHT STRIP (REACH-IN) (LED2835, 2.4W, 24 VDC)	1	52	NON-STOCKING	COMPRESSOR MOUNTING PANEL	1
21	H104070118	LED POWER SUPPLY (24VAC/6.7W)	1	53	NON-STOCKING	GUIDE RAIL/Left	1
22	H00215	TERMINAL BLOCK, 5 POLE	1	53	NON-STOCKING	GUIDE RAIL/Right	1
24	C2194677	DOOR SWITCH 3 PIN WHITE (AFTER START OF HC)	1	54	H110336	HINGE, BOTTOM LEFT	1
25	H5114000647	UPPER SHROUD, BOTTOM MOUNT (ENTREE)	1	55	GHC3014	AIR DUCT	1
25	H5114000647C	UPPER SHROUD, BOTTOM MOUNT (MOTAK/CENTAUR)	1	56	H00112-1	EVAPORATOR FAN GUARD	1
26	HC00357	KEY-DOOR, LOCK (SOLD IN PACK OF TWO)	1	57	NON STOCKING	SUPPORT PAN	1
28	H00321	HINGE, SHROUD UPPER	2	58	H00336	DRAIN JOINT	1
29	H00219-2	CONTROLLER, DIXELL (XR20CX-4R0F1)	1	59	G30002	DRAIN FITTING (F)	1
29	H00205	TEMPERATURE SENSOR NTC (118" LENGTH)	1	60	G30001	DRAIN PIPE FITTING	1
30	NON-STOCKING	CHANEL, SUCTION LINE COVER	1	62	NON-STOCKING	TOP COVER PANEL	1
31	HC0142	DRAIN PAN, EVAPORATOR (USE AFTER TO 2204)	1	63	NON-STOCKING	DRAIN Bracket	1
32	NON STOCKING	EVAPORATOR SUPPORT	2	64	NON-STOCKING	DRAIN HOLDER	1
				65	HC0391	DRAIN TUBING	1



Copyright © 2010

## Parts List for Model: CR1-SI-HC

No.	PART #	DESCRIPTION	QTY	No.	PART #	DESCRIPTION	QTY
1	NON-STOCKING	BASE CHANEL	2	34	H00335	SENSOR CLIP	1
2	H00316	CASTER, 4" DIAMETER W/BRAKE	2	35	HC000111	EVAPORATOR COIL (HC-27R)	1
3	NON STOCKING	BAFFLE PLATE	1	36	H00112	EVAPORATOR FAN GUARD, WHITE	1
4	H00317	CASTER, 4" DIAMETER, W/O BRAKE	2	37	H00114-2	EVAPORATOR FAN MOTOR, ECM7108, L=600, 100-120V 50/60HZ, 14W	1
5	H00333	HINGE, BOTTOM RIGHT	1	38	H5202004565	MOTOR SUPPORT, EVAP FAN	1
6	H00329	SHIMS, LOWER DOOR HINGES	2	39	HC008844S	EVAPORATOR COVER, WHITE (SI)	1
7	NON STOCKING	CABINET	1	40	H00011B	HELIX SUCTION PIPE+CAPILLARY B	1
8	H00313	COVER, LOWER, REAR COMPARTMENT	1	41	HC0149	SUCTION PIPE	1
9	H00307	SHELF, 1D (21.57" X 24.33")	3	42	C30014	CONDENSER DRAIN BOX	1
10	C3234860	PILASTER SHELF CLIP	12	43	HC0001F	COMPRESSOR (EM2X3117U) W/ FILTER DRIER	1
11	H00342	PILASTER	4	43	HC0001K	START KIT FOR EM2X3117U	1
12	H00324-3S	DOOR, SOLID, STAINLESS INTERIOR BOTTOM MOUNT (HC)	1	43	H00301	CAPILLARY TUBE .055" ID X 196.9" L	1
13	H00326	HINGE AXIS JACKET, BOTTOM	1	44	NON-STOCKING	DRIER SUPPORT	1
14	HC0328	DOOR CLOSURE	1	45	RD00111	CONDENSER FAN GRILL	1
15	H00325-3S	GASKET, FULL DOOR, (25" X 52 9/16")	1	46	H00110	CONDENSER FAN MOTOR, 9W, M4Q045-CA27-04/CA01	1
16	C2194681	POWER CORD, 18AWG/NEMA 5-15P	1	47	HC0347	CONDENSER COIL (G-SS45BT)	1
17	H00329-1S	DOOR SHIM (SI) UPPER & LOWER	2	48	H00008A	VERTICAL SUCTION PIPE+CAPILLARY A	1
18	H00331	HINGE, TOP RIGHT	1	49	H00341	FILTER DRIER	1
19	NON-STOCKING	UPPER SHROUD SUPPORT BRACKET	2	51	H00437-1	SHROUD, LOWER 1D (USE FROM DATE CODE 2201)	1
20	C2194688	LED LIGHT STRIP (REACH-IN) (LED2835, 2.4W, 24 VDC)	1	52	NON-STOCKING	COMPRESSOR MOUNTING PANEL	1
21	H104070118	LED POWER SUPPLY (24VAC/6.7W)	1	53	NON-STOCKING	GUIDE RAIL/Left	1
22	H00215	TERMINAL BLOCK, 5 POLE	1	53	NON-STOCKING	GUIDE RAIL/Right	1
24	C2194677	DOOR SWITCH 3 PIN WHITE (AFTER START OF HC)	1	54	H110336	HINGE, BOTTOM LEFT	1
25	H5114000647	UPPER SHROUD, BOTTOM MOUNT (ENTREE)	1	55	GHC3014	AIR DUCT	1
25	H5114000647C	UPPER SHROUD, BOTTOM MOUNT (MOTAK/CENTAUR)	1	56	H108110138	EVAPORATOR FAN GUARD	1
26	HC00357	KEY-DOOR, LOCK (SOLD IN PACK OF TWO)	1	57	NON STOCKING	SUPPORT PAN	1
28	H00321	HINGE, SHROUD UPPER	2	58	H00336	DRAIN JOINT	1
29	H00219-2	CONTROLLER, DIXELL (XR20CX-4R0F1)	1	59	G30002	DRAIN FITTING (F)	1
29	H00205	TEMPERATURE SENSOR NTC (118" LENGTH)	1	60	G30001	DRAIN PIPE FITTING	1
30	H00311	CHANEL, SUCTION LINE COVER	1	62	NON-STOCKING	TOP COVER PANEL	1
31	HC0142	DRAIN PAN, EVAPORATOR (USE AFTER TO 2204)	1	63	NON-STOCKING	DRAIN Bracket	1
32	NON STOCKING	EVAPORATOR SUPPORT	1	64	NON-STOCKING	DRAIN HOLDER	1
				65	HC0391	DRAIN TUBING	1

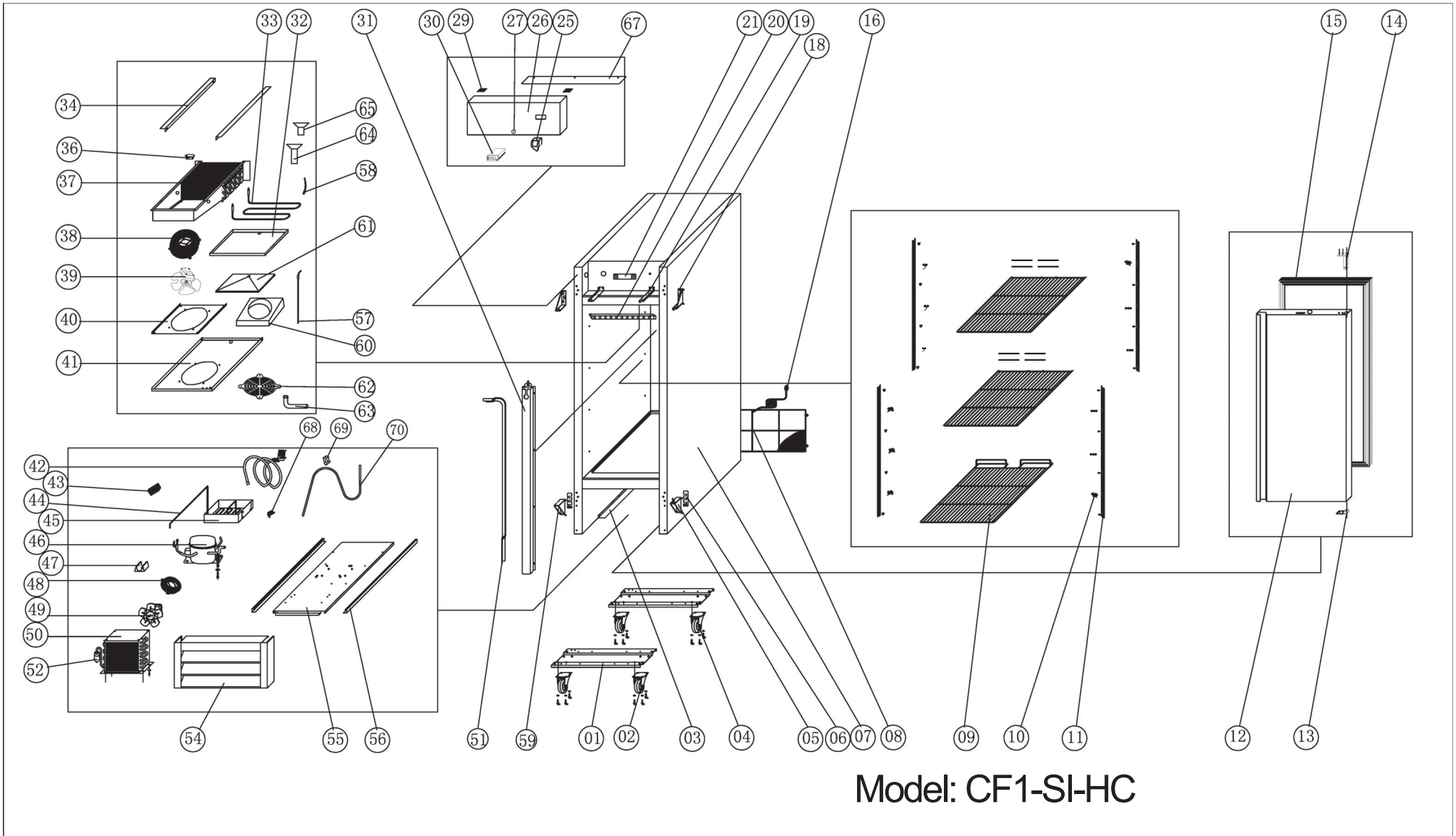


Model: CF1-ES-HC



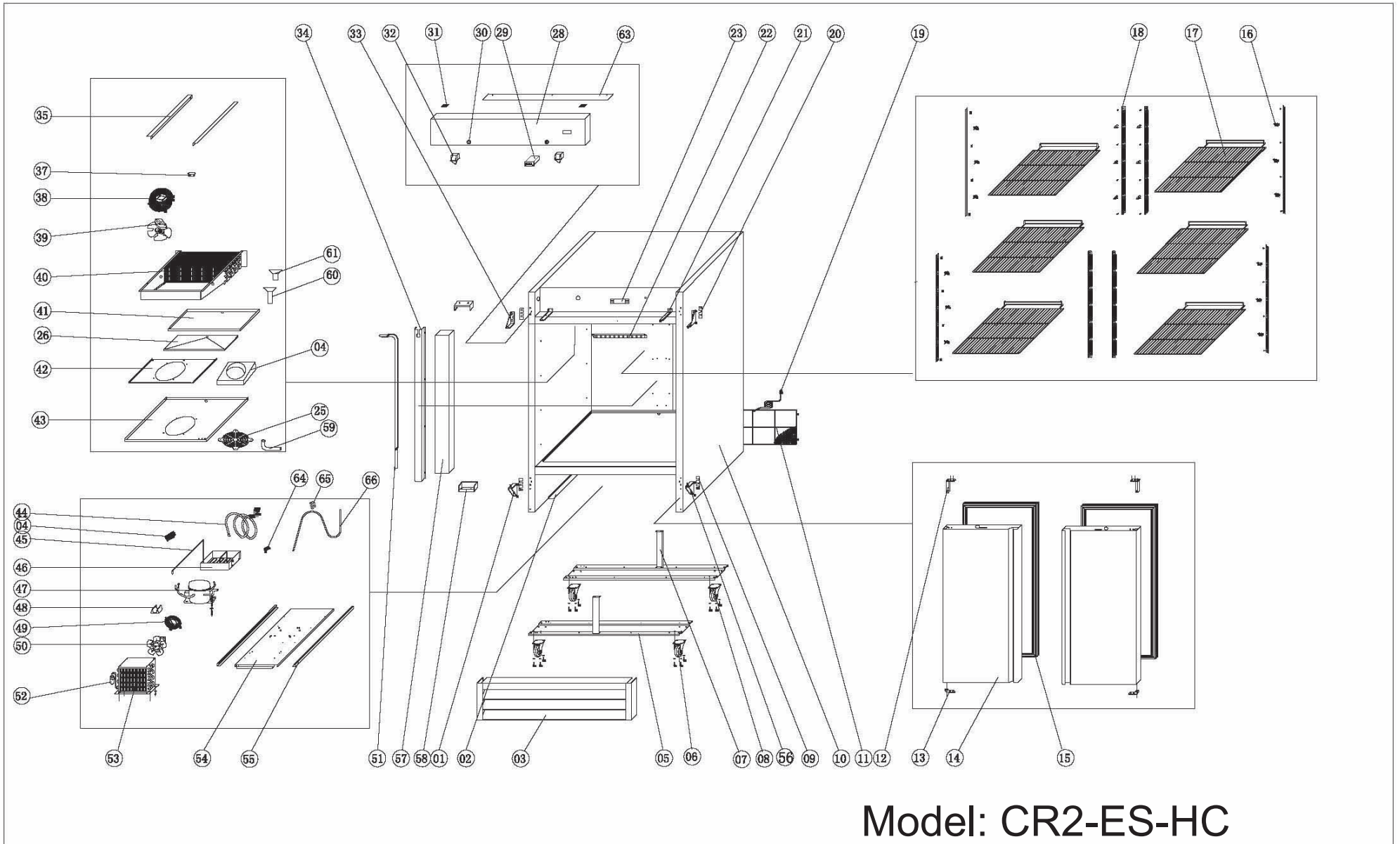
## Parts List for Model CF1-ES-HC

No.	PART #	DESCRIPTION	QTY	No.	PART #	DESCRIPTION	QTY
1	NON-STOCKING	BASE CHANEL	2	39	H00114-2	EVAPORATOR FAN MOTOR, ECM7108, L=600, 100-120V 50/60HZ, 14W	1
2	H00316	CASTER, 4" DIAMETER W/BRAKE	2	39	HC0116-F	EVAPORATOR FAN BLADE (FOR ALL HC0116-1, 2, 3 TYPE FAN MOTORS)	1
3	NON STOCKING	BAFFLE PLATE	1	40	H5202004565	MOTOR SUPPORT, EVAP FAN	1
4	H00317	CASTER, 4" DIAMETER, W/O BRAKE	2	41	HC009063	EVAPORATOR COVER, WHITE	1
5	H00333	HINGE, BOTTOM RIGHT	1	42	H113100854	HELIX SUCTION PIPE+CAPILLARY B	1
6	H00329	SHIMS, LOWER DOOR HINGES	2	43	H00215	TERMINAL BLOCK, 5 POLE	1
7	NON STOCKING	CABINET	1	44	HC0124-1	SUCTION PIPE (REPLACES HC0124)	1
8	H00313	COVER, LOWER, REAR COMPARTMENT	1	45	C30014	CONDENSER DRAIN BOX	1
9	H00307	SHELF, 1D (21.57" X 24.33")	3	46	HC0025F	COMPRESSOR (EHX2155U) W/FILTER DRIER	1
10	C3234860	PILASTER SHELF CLIP	12	46	HC0025K	START KIT FOR EHX2155U	1
11	H00342	PILASTER	4	46	H00302	CAPILLARY TUBE .055" ID X 169.25" L	1
12	H00324-3	DOOR, SOLID, BOTTOM MOUNT (HC)	1	47	NON-STOCKING	DRIER SUPPORT	1
13	H00326	HINGE AXIS JACKET, BOTTOM	1	48	RD00111	CONDENSER FAN GRILL	1
14	HC0328	DOOR CLOSURE	1	49	H00110	CONDENSER FAN MOTOR, 9W, M4Q045-CA27-04/CA01	1
15	H00325-3	GASKET, DOOR BOTTOM MOUNT (HC) (52 3/8" X 24 13/16")	1	49	HC0117-1	CONDENSER FAN BLADE	1
16	C2194684	POWER CORD, 14AWG/NEMA 5-15P	1	50	HC0343	CONDENSER COIL (G-HGD12F)	1
18	H00331	HINGE, TOP RIGHT	1	51	HDV007A	VERTICAL SUCTION PIPE+CAPILLARY A	1
19	NON-STOCKING	UPPER SHROUD SUPPORT BRACKET	2	52	H00341	FILTER DRIER	1
20	C2194688	LED LIGHT STRIP (REACH-IN) (LED2835, 2.4W, 24 VDC)	1	54	H00437-1	SHROUD, LOWER 1D (USE FROM DATE CODE 2201)	1
21	H104070118	LED POWER SUPPLY (24VAC/6.7W)	1	55	NON-STOCKING	COMPRESSOR MOUNTING PANEL	1
25	C2194677	DOOR SWITCH 3 PIN WHITE (AFTER START OF HC)	1	56	NON-STOCKING	GUIDE RAIL/Left	1
26	H5114000647	UPPER SHROUD, BOTTOM MOUNT (ENTREE)	1	56	NON-STOCKING	GUIDE RAIL/Right	1
26	H5114000647C	UPPER SHROUD, BOTTOM MOUNT (MOTAK/CENTAUR)	1	57	H00211	HEATER, DRAIN PIPE, (13W)	1
27	HC00357	KEY-DOOR, LOCK (SOLD IN PACK OF TWO)	1	58	H00207	FUSE, THERMAL, DEFROST HEATER	1
29	H00321	HINGE, SHROUD UPPER	2	59	H00332	HINGE, BOTTOM LEFT	1
30	HC0204	CONTROLLER, DIXELL (XR60CX-4R0F1)	1	60	GHC3014	AIR DUCT	1
30	H00205	TEMPERATURE SENSOR NTC (118" LENGTH)	2	61	NON STOCKING	SUPPORT PAN	1
31	NON-STOCKING	CHANEL, SUCTION LINE COVER	1	62	H00112-1	EVAPORATOR FAN GUARD	1
32	HC0142	DRAIN PAN, EVAPORATOR (USE AFTER TO 2204)	1	63	H00336	DRAIN JOINT	1
33	HC0201	DEFROST HEATING ELEMENT		64	G30002	DRAIN FITTING (F)	1
34	NON STOCKING	EVAPORATOR SUPPORT	1	65	G30001	DRAIN PIPE FITTING	1
36	H00335	SENSOR CLIP	1	67	NON-STOCKING	TOP COVER PANEL	1
37	HC000111	EVAPORATOR COIL (HC-27R)	1	68	NON-STOCKING	DRAIN Bracket	1
38	H00112	EVAPORATOR FAN GUARD, WHITE	1	69	NON-STOCKING	DRAIN HOLDER	1
				70	HC0391	DRAIN TUBING	1



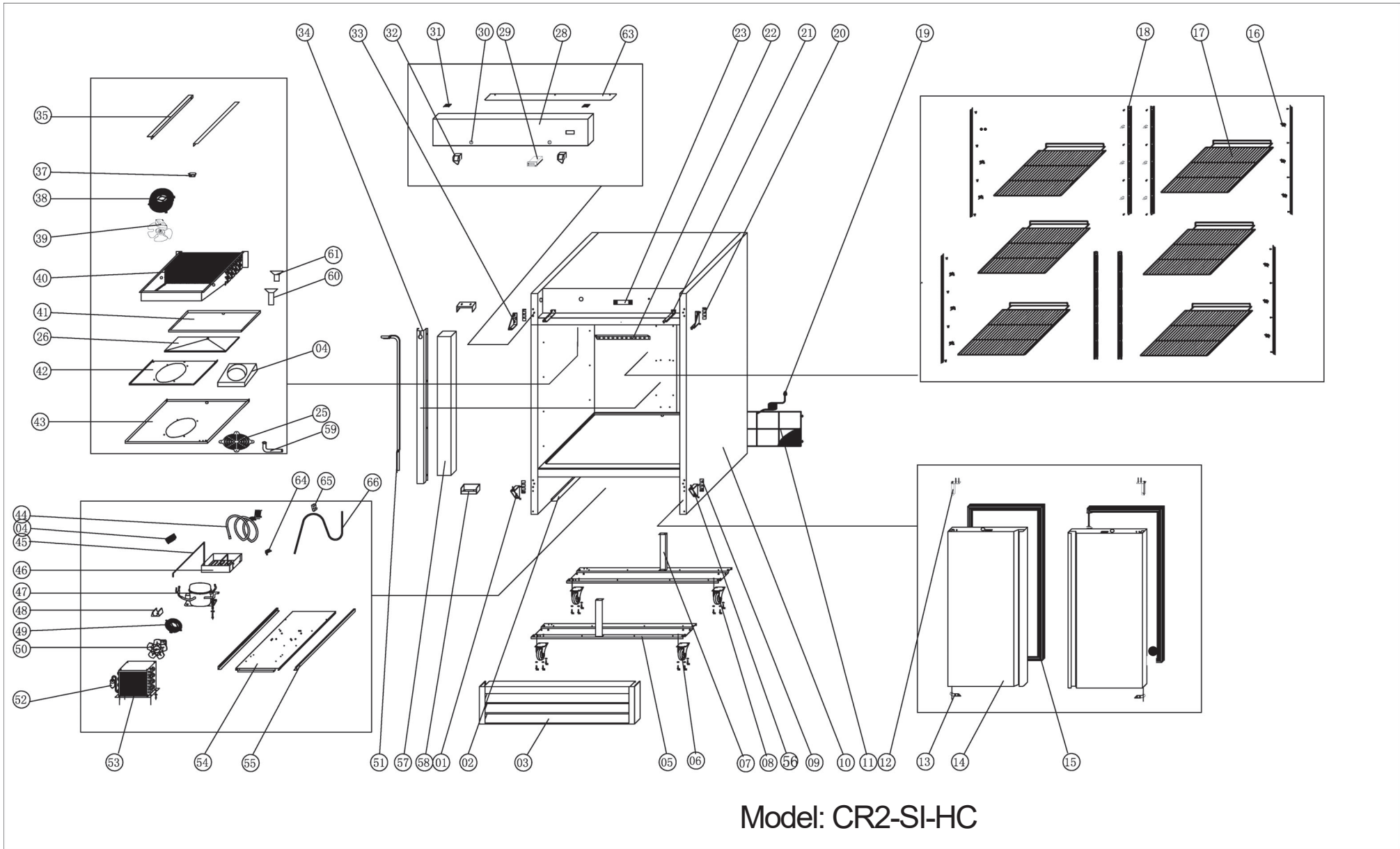
## Parts list for Model: CF1-SI-HC

No.	PART #	DESCRIPTION	QTY	No.	PART #	DESCRIPTION	QTY
1	NON-STOCKING	BASE CHANEL	2	39	H00114-2	EVAPORATOR FAN MOTOR, ECM7108, L=600, 100-120V 50/60HZ, 14W	1
2	H00316	CASTER, 4" DIAMETER W/BRAKE	2	39	HC0116-F	EVAPORATOR FAN BLADE (FOR ALL HC0116-1, 2, 3 TYPE FAN MOTORS)	1
3	NON STOCKING	BAFFLE PLATE	1	40	H5202004565	MOTOR SUPPORT, EVAP FAN	1
4	H00317	CASTER, 4" DIAMETER, W/O BRAKE	2	41	HC008844S	EVAPORATOR COVER, WHITE (SI)	1
5	H00333	HINGE, BOTTOM RIGHT	1	42	H113100854	HELIX SUCTION PIPE+CAPILLARY B	1
6	H00329	SHIMS, LOWER DOOR HINGES	2	43	H00215	TERMINAL BLOCK, 5 POLE	1
7	NON STOCKING	CABINET	1	44	HC0124-1	SUCTION PIPE (REPLACES HC0124)	1
8	H00313	COVER, LOWER, REAR COMPARTMENT	1	45	C30014	CONDENSER DRAIN BOX	1
9	H00307	SHELF, 1D (21.57" X 24.33")	3	46	HC0025F	COMPRESSOR (EHX2155U) W/FILTER DRIER	1
10	C3234860	PILASTER SHELF CLIP	12	46	HC0025K	START KIT FOR EHX2155U	1
11	H00342	PILASTER	4	46	H00302	CAPILLARY TUBE .055" ID X 169.25" L	1
12	H00324-3S	DOOR, SOLID, STAINLESS INTERIOR BOTTOM MOUNT (HC)	1	47	NON-STOCKING	DRIER SUPPORT	1
13	H00326	HINGE AXIS JACKET, BOTTOM	1	48	RD00111	CONDENSER FAN GRILL	1
14	HC0328	DOOR CLOSURE	1	49	H00110	CONDENSER FAN MOTOR, 9W, M4Q045-CA27-04/CA01	1
15	H00325-3S	GASKET, FULL DOOR, (25" X 52 9/16")	1	49	HC0117-1	CONDENSER FAN BLADE	1
16	C2194684	POWER CORD, 14AWG/NEMA 5-15P	1	50	HC0343	CONDENSER COIL (G-HGD12F)	1
18	H00331	HINGE, TOP RIGHT	1	51	HDV007A	VERTICAL SUCTION PIPE+CAPILLARY A	1
18	H00330	HINGE, TOP LEFT	1	52	H00341	FILTER DRIER	1
19	NON-STOCKING	UPPER SHROUD SUPPORT BRACKET	2	54	H00437-1	SHROUD, LOWER 1D (USE FROM DATE CODE 2201)	1
20	C2194688	LED LIGHT STRIP (REACH-IN) (LED2835, 2.4W, 24 VDC)	1	55	NON-STOCKING	COMPRESSOR MOUNTING PANEL	1
21	H104070118	LED POWER SUPPLY (24VAC/6.7W)	1	56	NON-STOCKING	GUIDE RAIL/Left	1
25	C2194677	DOOR SWITCH 3 PIN WHITE (AFTER START OF HC)	1	56	NON-STOCKING	GUIDE RAIL/Right	1
26	H5114000647	UPPER SHROUD, BOTTOM MOUNT (ENTREE)	1	57	H00211	HEATER, DRAIN PIPE, (13W)	1
26	H5114000647C	UPPER SHROUD, BOTTOM MOUNT (MOTAK/CENTAUR)	1	58	H00207	FUSE, THERMAL, DEFROST HEATER	1
27	HC00357	KEY-DOOR, LOCK (SOLD IN PACK OF TWO)	1	59	H00332	HINGE, BOTTOM LEFT	1
29	H00321	HINGE, SHROUD UPPER	2	60	GHC3014	AIR DUCT	1
30	HC0204	CONTROLLER, DIXELL (XR60CX-4R0F1)	1	61	NON STOCKING	SUPPORT PAN	1
30	H00205	TEMPERATURE SENSOR NTC (118" LENGTH)	2	62	H108110138	EVAPORATOR FAN GUARD	1
31	H00311	CHANEL, SUCTION LINE COVER	1	63	H00336	DRAIN JOINT	1
32	HC0142	DRAIN PAN, EVAPORATOR (USE AFTER TO 2204)	1	64	G30002	DRAIN FITTING (F)	1
33	HC0201	DEFROST HEATING ELEMENT		65	G30001	DRAIN PIPE FITTING	1
34	NON STOCKING	EVAPORATOR SUPPORT	2	67	NON-STOCKING	TOP COVER PANEL	1
36	H03335	SENSOR CLIP	1	68	NON-STOCKING	DRAIN Bracket	1
37	HC000111	EVAPORATOR COIL (HC-27R)	1	69	NON-STOCKING	DRAIN HOLDER	1
38	H00112	EVAPORATOR FAN GUARD, WHITE	1	70	HC0391	DRAIN TUBING	1



## Parts List for Model: CR2-ES-HC

No.	PART #	DESCRIPTION	QTY	No.	PART #	DESCRIPTION	QTY
1	H00332	HINGE, BOTTOM LEFT	1	34	NON-STOCKING	CHANEL, SUCTION LINE COVER	1
2	NON STOCKING	BAFFLE PLATE	1	35	NON STOCKING	EVAPORATOR SUPPORT	1
3	HC00338	SHROUD, LOWER 2D	1	37	H03335	SENSOR CLIP	1
4	GHC3014	AIR DUCT	1	38	H00112	EVAPORATOR FAN GUARD, WHITE	1
5	NON-STOCKING	BASE CHANEL	2	39	H00114-1	EVAPORATOR FAN MOTOR, ECM7108 (ECM7108AAA1DA406) (1082 CFM, 1300 RPM) 100-120V 50/60HZ, 14W	1
6	H00316	CASTER, 4" DIAMETER W/BRAKE	2	40	HC0351R	EVAPORATOR COIL (HC-54R)	1
7	NON-STOCKING	SUPPORT BRACKET	2	41	H00143.1	DRAIN PAN, EVAPORATOR 54F (USE AFTER 1409)	1
8	H00317	CASTER, 4" DIAMETER, W/O BRAKE	2	42	HC0131	MOTOR SUPPORT, EVAP FAN, WHITE (2 DOOR)	1
9	H00329	SHIMS, LOWER DOOR HINGES	2	43	HC0160-1	EVAPORATOR COVER, WHITE	1
10	NON STOCKING	CABINET	1	44	H00108	HELIX SUCTION PIPE+CAPILLARY B	1
11	H00314-1	COVER, LOWER, REAR COMPARTMENT (USE AFTER DATE CODE 2201)	1	45	HC0149	SUCTION PIPE	1
11	H00314	COVER, LOWER, REAR COMPARTMENT (USE PRIOR TO DATE CODE 2201)	1	46	C30014	CONDENSER DRAIN BOX	1
12	HC0328	DOOR CLOSURE	2	47	H00039F	COMPRESSOR (EM2X3125U) W/ FILTER DRYER	1
13	H00326	HINGE AXIS JACKET, BOTTOM	1	47	H00228	START KIT FOR EM2X3125U	1
14	H00324-3	DOOR, SOLID, BOTTOM MOUNT (HC)	2	47	H01302	CAPILLARY TUBE .055" ID X 118.11" L	1
15	H00325-3	GASKET, DOOR BOTTOM MOUNT (HC) (52 3/8" X 24 13/16")	2	48	NON-STOCKING	DRIER SUPPORT	1
16	C3234860	PILASTER SHELF CLIP	24	49	RD00111	CONDENSER FAN GRILL	1
17	H00308	SHELF, LEFT/RIGHT (23.62" X 24.33")	6	50	H00110	CONDENSER FAN MOTOR, 9W, M4Q045-CA27-04/CA01	1
18	H00342	PILASTER	8	51	H00303	VERTICAL SUCTION PIPE+CAPILLARY A	1
19	C2194681	POWER CORD, 18AWG/NEMA 5-15P	1	52	H00341	FILTER DRIER	1
20	H00329-1	SHIMS, UPPER DOOR HINGES	2	53	HC0347	CONDENSER COIL (G-SS45BT)	1
21	NON-STOCKING	UPPER SHROUD SUPPORT BRACKET	2	54	NON-STOCKING	COMPRESSOR MOUNTING PANEL	1
22	C2194688	LED LIGHT STRIP (REACH-IN) (LED2835, 2.4W, 24 VDC)	1	55	NON-STOCKING	GUIDE RAIL/Left	1
23	H104070118	LED POWER SUPPLY (24VAC/6.7W)	1	55	NON-STOCKING	GUIDE RAIL/Right	1
24	H00215	TERMINAL BLOCK, 5 POLE	1	56	H00333	HINGE, BOTTOM RIGHT	1
25	H00112-1	EVAPORATOR FAN GUARD	1	57	HC00022	MULLION, CENTER	1
26	NON STOCKING	SUPPORT PAN	1	58	HC00112-1	MULLION BRACKET, MIDDLE (USE AFER DATE CODE 2201)	2
28	HC2320	UPPER SHROUD, 2DR, BTM MT	1	59	H00336	DRAIN JOINT	1
28	HC0320C	UPPER SHROUD, 3DR, BTM MT (MOTAK/CENTAUR)	1	60	G30002	DRAIN FITTING (F)	1
29	H00219-2	CONTROLLER, DIXELL (XR20CX-4R0F1)	1	61	G30001	DRAIN PIPE FITTING	1
29	H00205	TEMPERATURE SENSOR NTC (118" LENGTH)	1	63	NON-STOCKING	TOP COVER PANEL	1
30	HC00357	KEY-DOOR, LOCK (SOLD IN PACK OF TWO)	2	64	NON-STOCKING	DRAIN Bracket	1
31	H00321	HINGE, SHROUD UPPER	2	65	NON-STOCKING	DRAIN HOLDER	1
32	C2194677	DOOR SWITCH 3 PIN WHITE (AFTER START OF HC)	2	66	HC0391	DRAIN TUBING	1
33	H00330	HINGE, TOP LEFT	1				
33	H00331	HINGE, TOP RIGHT	1				

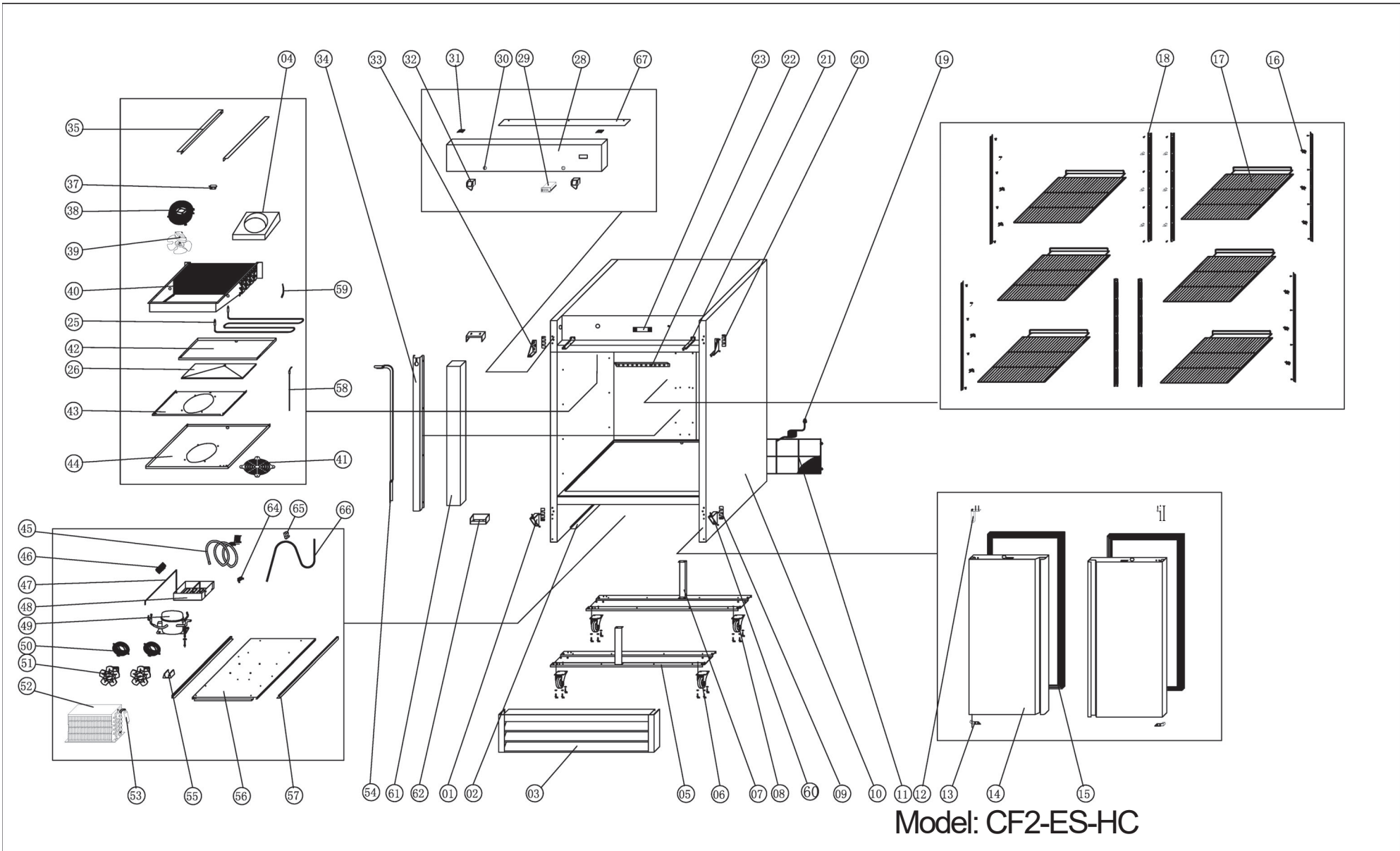


- 01
- 02
- 03
- 04
- 05
- 06
- 07
- 08
- 09
- 10
- 11
- 12
- 13
- 14
- 15
- 16
- 17
- 18
- 19
- 20
- 21
- 22
- 23
- 24
- 25
- 26
- 27
- 28
- 29
- 30
- 31
- 32
- 33
- 34
- 35
- 36
- 37
- 38
- 39
- 40
- 41
- 42
- 43
- 44
- 45
- 46
- 47
- 48
- 49
- 50
- 51
- 52
- 53
- 54
- 55
- 56
- 57
- 58
- 59
- 60
- 61
- 62
- 63
- 64
- 65
- 66

Model: CR2-SI-HC

## Parts List for Model: CR2-SI-HC

No.	PART #	DESCRIPTION	QTY	No.	PART #	DESCRIPTION	QTY
1	H00332	HINGE, BOTTOM LEFT	1	34	H00311	CHANEL, SUCTION LINE COVER	1
2	NON STOCKING	BAFFLE PLATE	1	35	NON STOCKING	EVAPORATOR SUPPORT	1
3	HC00338	SHROUD, LOWER 2D	1	37	H03335	SENSOR CLIP	1
4	GHC3014	AIR DUCT	1	38	H00112	EVAPORATOR FAN GUARD, WHITE	1
5	NON-STOCKING	BASE CHANEL	2	39	H00114-1	EVAPORATOR FAN MOTOR, ECM7108 (ECM7108AAA1DA406) (1082 CFM, 1300 RPM) 100-120V 50/60HZ, 14W	1
6	H00316	CASTER, 4" DIAMETER W/BRAKE	2	40	HC0351R	EVAPORATOR COIL (HC-54R)	1
7	NON-STOCKING	SUPPORT BRACKET	2	41	H00143.1	DRAIN PAN, EVAPORATOR 54F (USE AFTER 1409)	1
8	H00317	CASTER, 4" DIAMETER, W/O BRAKE	2	42	HC0131	MOTOR SUPPORT, EVAP FAN, WHITE (2 DOOR)	1
9	H00329	SHIMS, LOWER DOOR HINGES	2	43	H00153S	EVAPORATOR COVER, WHITE	1
10	NON STOCKING	CABINET	1	44	HDV0010B	HELIX SUCTION PIPE+CAPILLARY B	1
11	H00314-1	COVER, LOWER, REAR COMPARTMENT (USE AFTER DATE CODE 2201)	1	45	HC0149	SUCTION PIPE	1
11	H00314	COVER, LOWER, REAR COMPARTMENT (USE PRIOR TO DATE CODE 2201)	1	46	C30014	CONDENSER DRAIN BOX	1
12	HC0328	DOOR CLOSURE	2	47	H00039F	COMPRESSOR (EM2X3125U) W/ FILTER DRYER	1
13	H00326S	HINGE AXIS JACKET, BOTTOM (SI)	2	47	H00228	START KIT FOR EM2X3125U	1
14	H00324-3S	DOOR, SOLID, STAINLESS INTERIOR BOTTOM MOUNT (HC)	2	47	H01302	CAPILLARY TUBE .055" ID X 118.11" L	1
15	H00325-3S	GASKET, FULL DOOR, (25" X 52 9/16")	2	48	NON-STOCKING	DRIER SUPPORT	1
16	C3234860	PILASTER SHELF CLIP	24	49	RD00111	CONDENSER FAN GRILL	1
17	H00308	SHELF, LEFT/RIGHT (23.62" X 24.33")	6	50	H00110	CONDENSER FAN MOTOR, 9W, M4Q045-CA27-04/CA01	1
18	H00342	PILASTER	8	51	H00303	VERTICAL SUCTION PIPE+CAPILLARY A	1
19	C2194681	POWER CORD, 18AWG/NEMA 5-15P	1	52	H00341	FILTER DRIER	1
20	H00329-1	SHIMS, UPPER DOOR HINGES	2	53	HC0347	CONDENSER COIL (G-SS45BT)	1
21	NON-STOCKING	UPPER SHROUD SUPPORT BRACKET	2	54	NON-STOCKING	COMPRESSOR MOUNTING PANEL	1
22	C2194688	LED LIGHT STRIP (REACH-IN) (LED2835, 2.4W, 24 VDC)	1	55	NON-STOCKING	GUIDE RAIL/Left	1
23	H104070118	LED POWER SUPPLY (24VAC/6.7W)	1	55	NON-STOCKING	GUIDE RAIL/Right	1
24	H00215	TERMINAL BLOCK, 5 POLE	1	56	H00333	HINGE, BOTTOM RIGHT	1
25	H108110138	EVAPORATOR FAN GUARD	1	57	HC00022S	MULLION, CENTER (SI)	1
26	NON STOCKING	SUPPORT PAN	1	58	HC00112-1	MULLION BRACKET, MIDDLE (USE AFER DATE CODE 2201)	2
28	HC0319P	UPPER SHROUD, 2DRS BOTTOM MOUNT (SUPERA, FROM APRIL 2022)	1	59	H00336	DRAIN JOINT	1
28	HC0319PC	UPPER SHROUD, 2DRS BOTTOM MOUNT (SUPERA, FROM APRIL 2022) MOTAK/CENTAUR	1	60	G30002	DRAIN FITTING (F)	1
29	H00219-2	CONTROLLER, DIXELL (XR20CX-4R0F1)	1	61	G30001	DRAIN PIPE FITTING	1
29	H00205	TEMPERATURE SENSOR NTC (118" LENGTH)	1	63	NON-STOCKING	TOP COVER PANEL	1
30	HC00357	KEY-DOOR, LOCK (SOLD IN PACK OF TWO)	2	64	NON-STOCKING	DRAIN Bracket	1
31	H00321	HINGE, SHROUD UPPER	2	65	NON-STOCKING	DRAIN HOLDER	1
32	C2194677	DOOR SWITCH 3 PIN WHITE (AFTER START OF HC)	2	66	HC0391	DRAIN TUBING	1
33	H00330	HINGE, TOP LEFT	1				

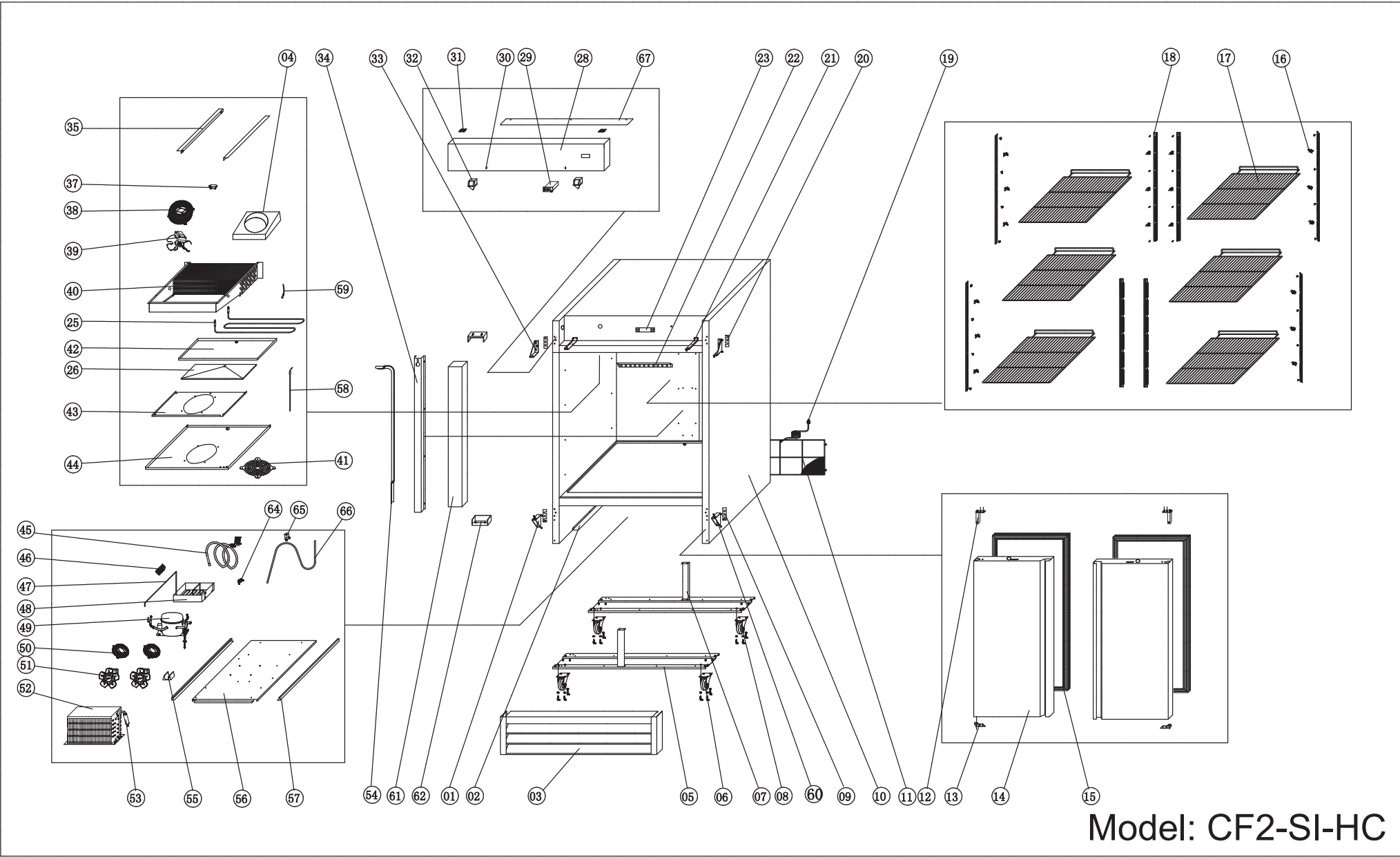


Model: CF2-ES-HC



## Parts List for Model: CF2-ES-HC

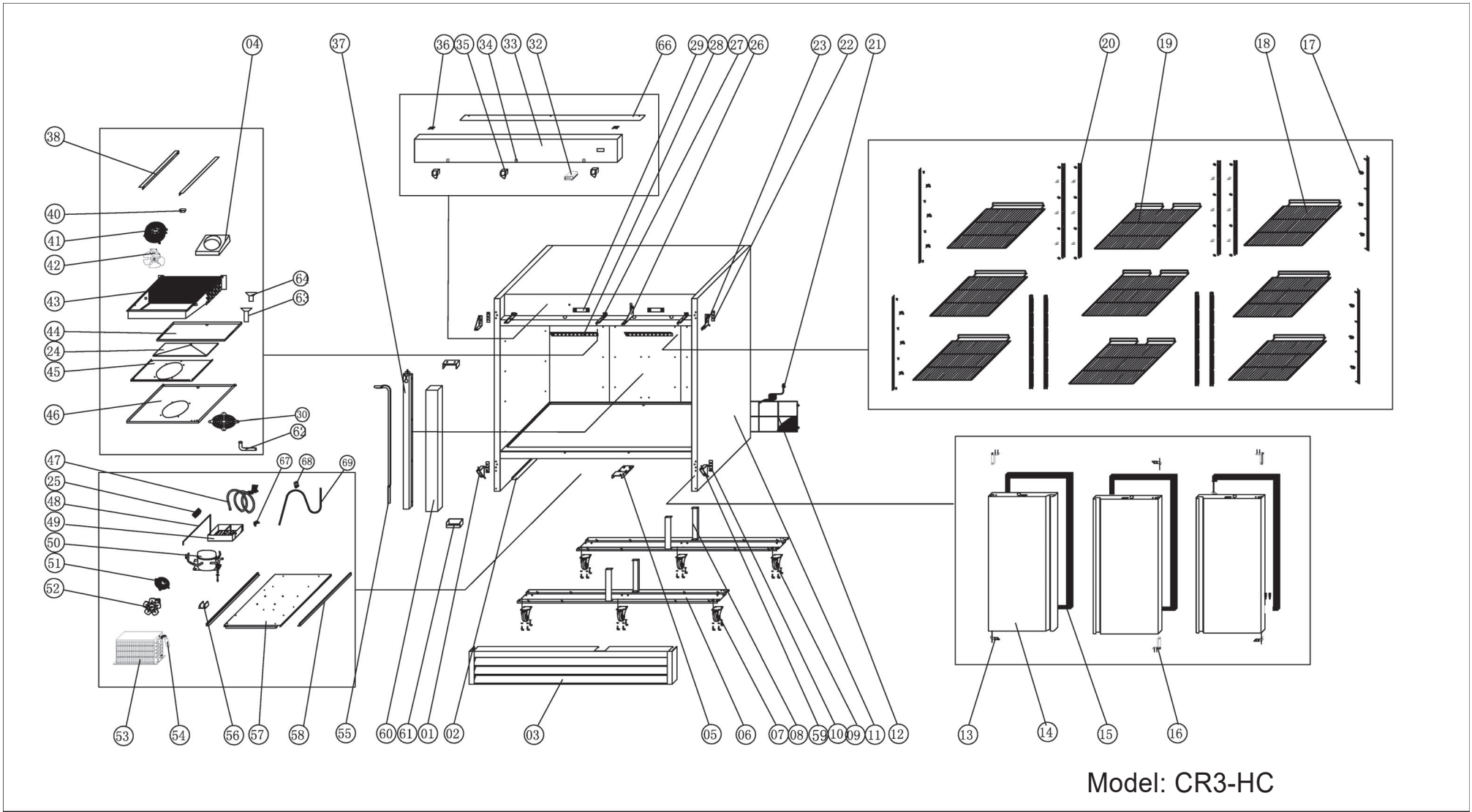
No.	PART #	DESCRIPTION	QTY	No.	PART #	DESCRIPTION	QTY
1	H00332	HINGE, BOTTOM LEFT	1	34	NON-STOCKING	CHANEL, SUCTION LINE COVER	1
2	NON STOCKING	SLIDE BRACKET	1	35	NON STOCKING	EVAPORATOR SUPPORT	1
3	HC00338	SHROUD, LOWER 2D	1	37	H00335	SENSOR CLIP	1
4	GHC3014	AIR DUCT	1	38	H00112	EVAPORATOR FAN GUARD, WHITE	1
5	NON-STOCKING	BASE CHANEL	2	39	H00114-1	EVAPORATOR FAN MOTOR, ECM7108 (ECM7108AAA1DA406) (1082 CFM, 1300 RPM) 100-120V 50/60HZ, 14W	1
6	H00316	CASTER, 4" DIAMETER W/BRAKE	2	40	HC0351F	EVAPORATOR COIL (G-54F)	1
7	NON-STOCKING	SUPPORT BRACKET	2	41	H00112-1	EVAPORATOR FAN GUARD	1
8	H00317	CASTER, 4" DIAMETER, W/O BRAKE	2	42	H00143.1	DRAIN PAN, EVAPORATOR 54F (USE AFTER 1409)	1
9	H00329	SHIMS, LOWER DOOR HINGES	2	43	GHC03921	EVAPORATOR FAN SUPPORT	1
10	NON STOCKING	CABINET	1	44	HC0160-1	EVAPORATOR COVER, WHITE	1
11	H00314-1	COVER, LOWER, REAR COMPARTMENT (USE AFTER DATE CODE 2201)	1	45	HDV0013B	HELIX SUCTION PIPE+CAPILLARY B	1
11	H00314	COVER, LOWER, REAR COMPARTMENT (USE PRIOR TO DATE CODE 2201)	1	46	H00215	TERMINAL BLOCK, 5 POLE	1
12	HC0328	DOOR CLOSURE	2	47	HRI2001	SUCTION PIPE	1
13	H00326	HINGE AXIS JACKET, BOTTOM	2	48	C30014	CONDENSER DRAIN BOX	1
14	H00324-3	DOOR, SOLID, BOTTOM MOUNT (HC)	2	49	HC0014F	COMPRESSOR (SCE18CNLX) W/ FILTER DRYER	1
15	H00325-3	GASKET, DOOR BOTTOM MOUNT (HC) (52 3/8" X 24 13/16")	2	49	HC0014K	START KIT FOR SCE18CNLX	1
16	C3234860	PILASTER SHELF CLIP	24	49	H00304	CAPILLARY TUBE .055" ID X 129.92" L	1
17	H00308	SHELF, LEFT/RIGHT (23.62" X 24.33")	6	50	HC0113	CONDENSER FAN GRILL	2
18	H00342	PILASTER	8	51	H00125	CONDENSER FAN MOTOR, BD03-04/CO6 (5W)	2
19	C2194684	POWER CORD, 14AWG/NEMA 5-15P	1	52	HC0358	CONDENSER COIL (G-54F)	1
20	H00329-1	SHIMS, UPPER DOOR HINGES	2	53	H00341	FILTER DRIER	1
21	NON-STOCKING	UPPER SHROUD SUPPORT BRACKET	2	54	HDV010A	VERTICAL SUCTION PIPE+CAPILLARY A	1
22	C2194688	LED LIGHT STRIP (REACH-IN) (LED2835, 2.4W, 24 VDC)	1	55	NON-STOCKING	DRIER SUPPORT	1
23	H104070118	LED POWER SUPPLY (24VAC/6.7W)	1	56	NON-STOCKING	COMPRESSOR MOUNTING PANEL	1
25	HC0202	DEFROST HEATING ELEMENT	1	57	NON-STOCKING	GUIDE RAIL/Left	1
26	NON STOCKING	SUPPORT PAN	1	57	NON-STOCKING	GUIDE RAIL/Right	1
28	HC0319P	UPPER SHROUD, 2DRS BOTTOM MOUNT (SUPERA, FROM APRIL 2022)	1	58	H00212	DRAIN PIPE HEATER	1
28	HC0319PC	UPPER SHROUD, 2DRS BOTTOM MOUNT (SUPERA, FROM APRIL 2022) MOTAK/CENTAUR	1	59	H00207	FUSE, THERMAL, DEFROST HEATER	1
29	HC0204	CONTROLLER, DIXELL (XR60CX-4R0F1)	1	60	H00333	HINGE, BOTTOM RIGHT	1
29	H00205	TEMPERATURE SENSOR NTC (118" LENGTH)	2	61	HC00117	MULLION, CENTER (FREEZER)	1
30	HC00357	KEY-DOOR, LOCK (SOLD IN PACK OF TWO)	2	62	HC00112-1	MULLION BRACKET, MIDDLE (USE AFER DATE CODE 2201)	2
31	H00321	HINGE, SHROUD UPPER	2	64	NON-STOCKING	DRAIN Bracket	1
32	C2194677	DOOR SWITCH 3 PIN WHITE (AFTER START OF HC)	2	65	NON-STOCKING	DRAIN HOLDER	1
33	H00331	HINGE, TOP RIGHT	1	66	HC0391	DRAIN TUBING	1
33	H00330	HINGE, TOP LEFT	1	67	NON-STOCKING	TOP COVER PANEL	1



Model: CF2-SI-HC

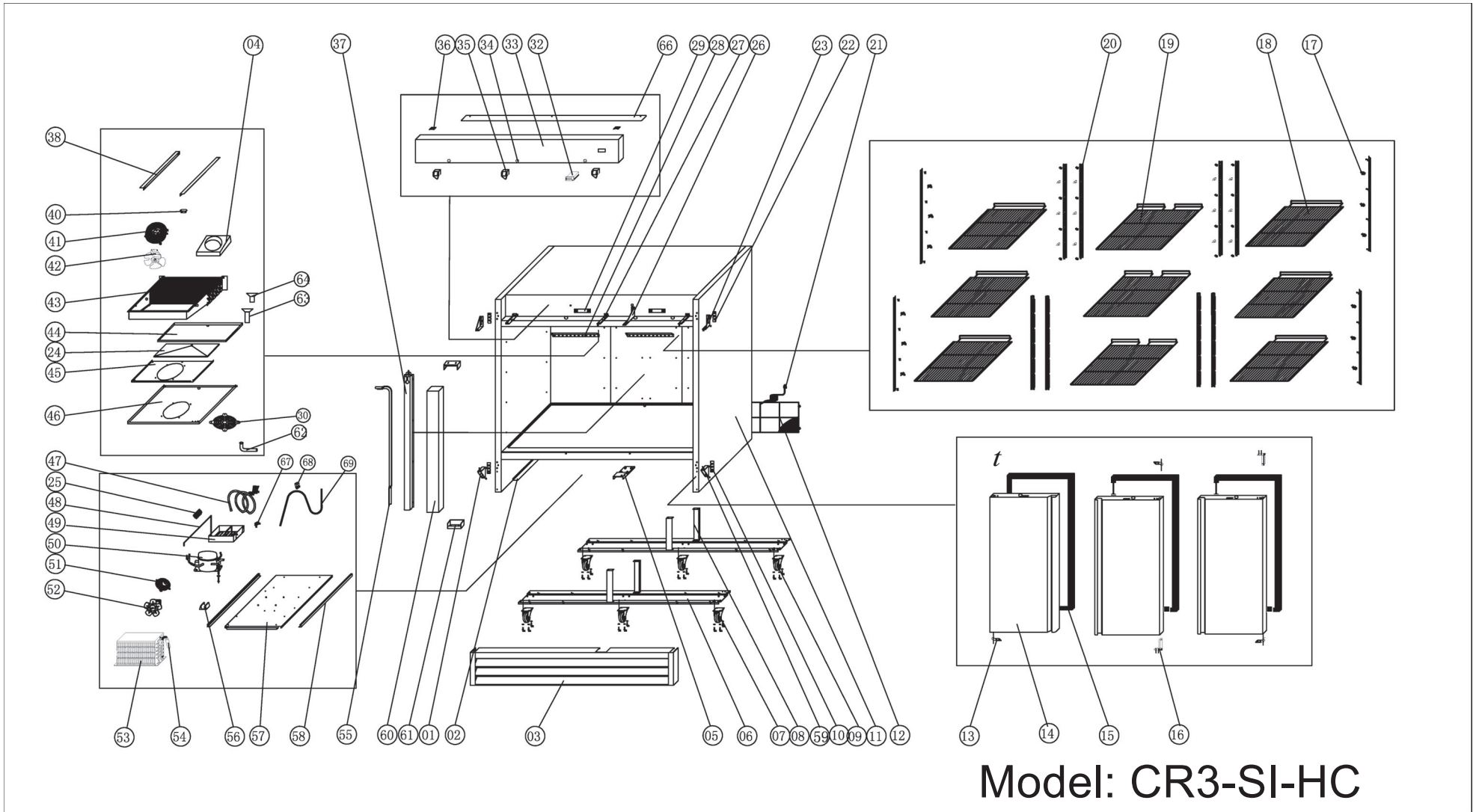
## Parts List for Model: CF2-SI-HC

No.	PART #	DESCRIPTION	QTY	No.	PART #	DESCRIPTION	QTY
1	H00332	HINGE, BOTTOM LEFT	1	35	NON STOCKING	EVAPORATOR SUPPORT	2
2	NON STOCKING	SLIDE BRACKET	1	37	H03335	SENSOR CLIP	1
3	HC00338	SHROUD, LOWER 2D	1	38	H00112	EVAPORATOR FAN GUARD, WHITE	1
4	GHC3014	AIR DUCT	1	39	H00114-1	EVAPORATOR FAN MOTOR, ECM7108 (ECM7108AAA1DA406) (1082 CFM, 1300 RPM) 100-120V 50/60HZ, 14W	1
5	NON-STOCKING	BASE CHANEL	2	40	HC0351F	EVAPORATOR COIL (G-54F)	1
6	H00316	CASTER, 4" DIAMETER W/BRAKE	2	41	H108110138	EVAPORATOR FAN GUARD	1
7	NON-STOCKING	SUPPORT BRACKET	2	42	H00143.1	DRAIN PAN, EVAPORATOR 54F (USE AFTER 1409)	1
8	H00317	CASTER, 4" DIAMETER, W/O BRAKE	2	43	GHC03921	EVAPORATOR FAN SUPPORT	1
9	H00329	SHIMS, LOWER DOOR HINGES	2	44	H00153S	EVAPORATOR COVER, WHITE	1
10	NON STOCKING	CABINET	1	45	HDV0013B	HELIX SUCTION PIPE+CAPILLARY B	1
11	H00314-S	REAR COVER GRILL	1	46	H00215	TERMINAL BLOCK, 5 POLE	1
12	HC0328	DOOR CLOSURE	2	47	HRI2001	SUCTION PIPE	1
13	H00326	HINGE AXIS JACKET, BOTTOM	2	48	C30014	CONDENSER DRAIN BOX	1
14	H00324-3S	DOOR, SOLID, STAINLESS INTERIOR BOTTOM MOUNT (HC)	2	49	HC0014F	COMPRESSOR (SCE18CNLX) W/ FILTER DRYER	1
15	H00325-3S	GASKET, FULL DOOR, (25" X 52 9/16")	2	49	HC0014K	START KIT FOR SCE18CNLX	1
16	C3234860	PILASTER SHELF CLIP	24	49	H00304	CAPILLARY TUBE .055" ID X 129.92" L	1
17	H00308	SHELF, LEFT/RIGHT (23.62" X 24.33")	6	50	HC0113	CONDENSER FAN GRILL	2
18	H00342	PILASTER	8	51	H00125	CONDENSER FAN,BD03-04/CO6 (5W)	2
19	C2194684	POWER CORD, 14AWG/NEMA 5-15P	1	52	HC0358	CONDENSER COIL (G-54F)	1
20	H00329-1	SHIMS, UPPER DOOR HINGES	2	53	H00341	FILTER DRIER	1
21	NON-STOCKING	UPPER SHROUD SUPPORT BRACKET	2	54	HDV010A	VERTICAL SUCTION PIPE+CAPILLARY A	1
22	C2194688	LED LIGHT STRIP (REACH-IN) (LED2835, 2.4W, 24 VDC)	1	55	NON-STOCKING	DRIER SUPPORT	1
23	H104070118	LED POWER SUPPLY (24VAC/6.7W)	1	56	NON-STOCKING	COMPRESSOR MOUNTING PANEL	1
25	HC0202	DEFROST HEATING ELEMENT	1	57	NON-STOCKING	GUIDE RAIL/Left	1
26	NON STOCKING	SUPPORT PAN	1	57	NON-STOCKING	GUIDE RAIL/Right	1
28	HC0319P	UPPER SHROUD, 2DRS BOTTOM MOUNT (FROM APRIL 2022) ENTRÉE	1	58	H00212	DRAIN PIPE HEATER	1
28	HC0319PC	UPPER SHROUD, 2DRS BOTTOM MOUNT (SUPERA, FROM APRIL 2022) MOTAK/CENTAUR	1	59	H00207	FUSE, THERMAL, DEFROST HEATER	1
29	HC0204	CONTROLLER, DIXELL (XR60CX-4R0F1)	1	60	H00333	HINGE, BOTTOM RIGHT	1
30	HC00357	KEY-DOOR, LOCK (SOLD IN PACK OF TWO)	2	61	HC00117S	MULLION, CENTER (FREEZER) (SI)	1
31	H00321	HINGE, SHROUD UPPER	2	62	HC00112-1	MULLION BRACKET, MIDDLE (USE AFER DATE CODE 2201)	2
32	C10001	DOOR SWITCH	2	64	NON-STOCKING	DRAIN Bracket	1
33	H00331	HINGE, TOP RIGHT	1	65	NON-STOCKING	DRAIN HOLDER	1
33	H00330	HINGE, TOP LEFT	1	66	HC0391	DRAIN TUBING	1
34	H00311	CHANEL, SUCTION LINE COVER	1	67	NON-STOCKING	TOP COVER PANEL	1



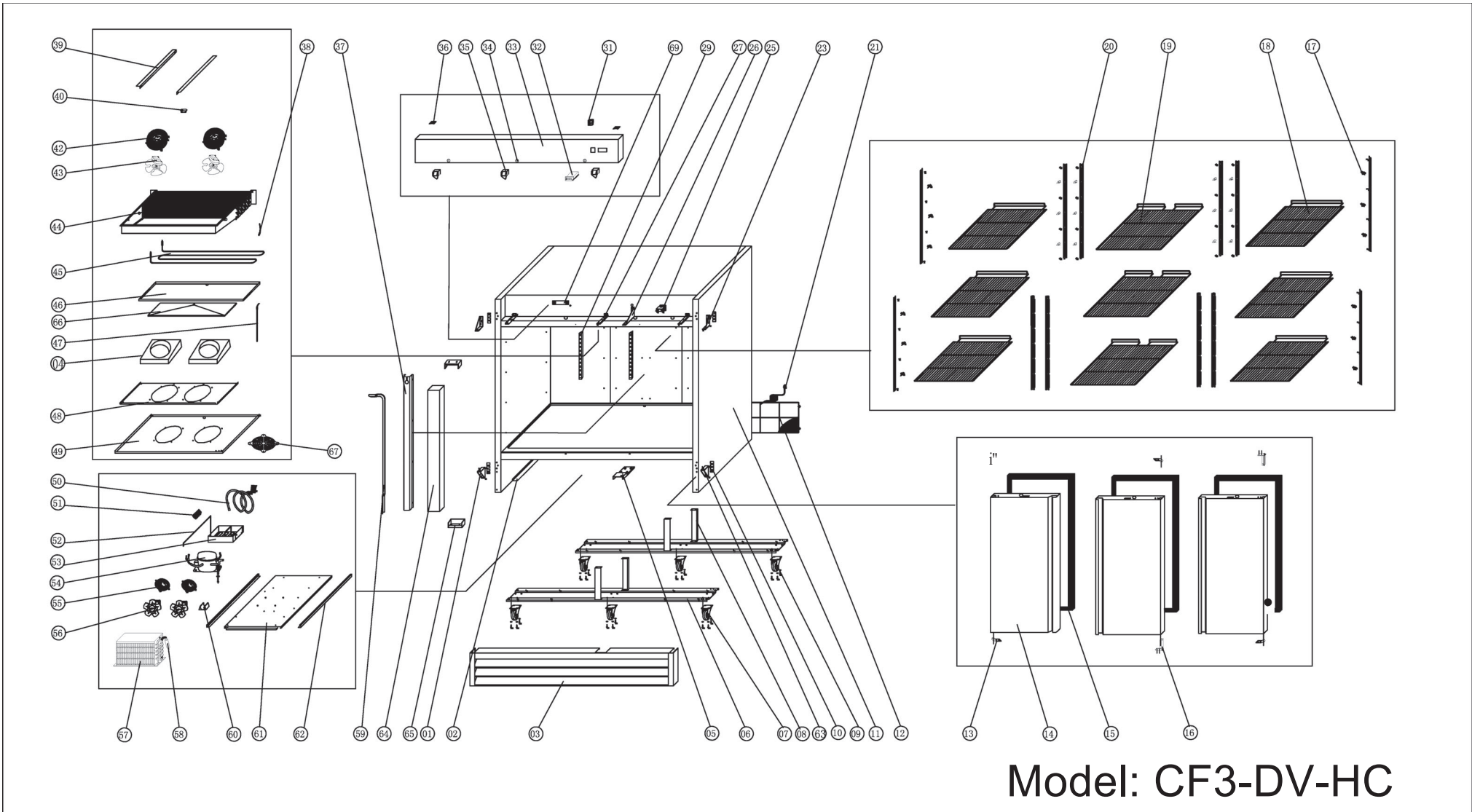
## Parts List for Model: CR3-ES-HC

No.	PART #	DESCRIPTION	QTY	No.	PART #	DESCRIPTION	QTY
1	H00332	HINGE, BOTTOM LEFT	1	35	C2194677	DOOR SWITCH 3 PIN WHITE (AFTER START OF HC)	3
2	NON STOCKING	BAFFLE PLATE	1	36	H00321	HINGE, SHROUD UPPER	2
3	H00339-1	SHROUD, LOWER 3D (USE AFTER DATE CODE 2201)	1	37	NON-STOCKING	CHANEL, SUCTION LINE COVER	1
4	GHC3014	AIR DUCT	1	38	NON STOCKING	EVAPORATOR SUPPORT	1
5	H00334	HINGE, BOTTOM MIDDLE	1	40	H00335	SENSOR CLIP	1
6	NON-STOCKING	BASE CHANEL	2	41	H00112	EVAPORATOR FAN GUARD, WHITE	1
7	H00316	CASTER, 4" DIAMETER W/BRAKE	3	42	H00114-3	EVAPORATOR FAN MOTOR, L=1200, 100-120V 50/60HZ, 14W	1
8	NON-STOCKING	SUPPORT BRACKET	4	43	HC0351F	EVAPORATOR COIL (G-54F)	1
9	H00317	CASTER, 4" DIAMETER, W/O BRAKE	3	44	H00143.1	DRAIN PAN, EVAPORATOR 54F (USE AFTER 1409)	1
10	H00329	SHIMS, LOWER DOOR HINGES	2	45	GHC03921	EVAPORATOR FAN SUPPORT	1
11	NON STOCKING	CABINET	1	46	HC0160-1	EVAPORATOR COVER, WHITE	1
12	HC0315	COVER, LOWER REAR COMPARTMENT (REPLACES H00315)	1	47	HDV0012B	HELIX SUCTION PIPE+CAPILLARY B	1
13	H00326	HINGE AXIS JACKET, BOTTOM	3	48	HC0158	SUCTION PIPE	1
14	H00324-3	DOOR, SOLID, BOTTOM MOUNT (HC)	3	49	C30014	CONDENSER DRAIN BOX	1
15	H00325-3	GASKET, DOOR BOTTOM MOUNT (HC) (52 3/8" X 24 13/16")	3	50	HC0009F	COMPRESSOR (NUG90LR) W/ FILTER DRIER	1
16	HC0328	DOOR CLOSURE	3	50	H00230	START KIT FOR NUG90LR	1
17	C3234860	PILASTER SHELF CLIP	36	50	H00305	CAPILLARY TUBE .063" ID X 177.17" L	1
18	H00308	SHELF, LEFT/RIGHT (23.62" X 24.33")	6	51	HC0113	CONDENSER FAN GRILL	1
19	H00310	SHELF, MIDDLE (24.3" X 26.0")	3	52	H00125	CONDENSER FAN MOTOR, BD03-04/CO6 (5W)	1
20	H00342	PILASTER	12	53	HC0348	CONDENSER COIL (TWO FAN) (HC-54F)	1
21	C2194684	POWER CORD, 14AWG/NEMA 5-15P	1	54	H00341	FILTER DRIER	1
22	H00329-1	SHIMS, UPPER DOOR HINGES	3	55	NON-STOCKING	VERTICAL SUCTION PIPE+CAPILLARY A	1
23	H00330	HINGE, TOP LEFT	1	56	NON-STOCKING	DRIER SUPPORT	1
23	H00331	HINGE, TOP RIGHT	1	57	NON-STOCKING	COMPRESSOR MOUNTING PANEL	1
24	NON STOCKING	SUPPORT PAN	1	58	NON-STOCKING	GUIDE RAIL/Left	1
25	H00215	TERMINAL BLOCK, 5 POLE	1	58	NON-STOCKING	GUIDE RAIL/Right	1
26	H00353-1	HINGE, TOP MIDDLE (USE AFTER DATE CODE 2201)	1	59	H00333	HINGE, BOTTOM RIGHT	1
27	NON-STOCKING	UPPER SHROUD SUPPORT BRACKET	3	60	HC00022	MULLION, CENTER	2
28	C2194688	LED LIGHT STRIP (REACH-IN) (LED2835, 2.4W, 24 VDC)	2	61	HC00112-1	MULLION BRACKET, MIDDLE (USE AFER DATE CODE 2201)	4
29	H104070118	LED POWER SUPPLY (24VAC/6.7W)	2	62	H00336	DRAIN JOINT	1
30	H00112-1	EVAPORATOR FAN GUARD	1	63	G30002	DRAIN FITTING (F)	1
32	H00219-2	CONTROLLER, DIXELL (XR20CX-4R0F1)	1	64	G30001	DRAIN PIPE FITTING	1
32	H00205	TEMPERATURE SENSOR NTC (118" LENGTH)	1	66	NON-STOCKING	TOP COVER PANEL	1
33	HC0320	UPPER SHROUD, 3DR, BTM MT	1	67	NON-STOCKING	DRAIN Bracket	1
33	HC0320C	UPPER SHROUD, 3DR, BTM MT (MOTAK/CENTAUR)	1	68	NON-STOCKING	DRAIN HOLDER	1
34	HC00357	KEY-DOOR, LOCK (SOLD IN PACK OF TWO)	3	69	HC0391	DRAIN TUBING	1



## Parts List for Model: CR3-SI-HC

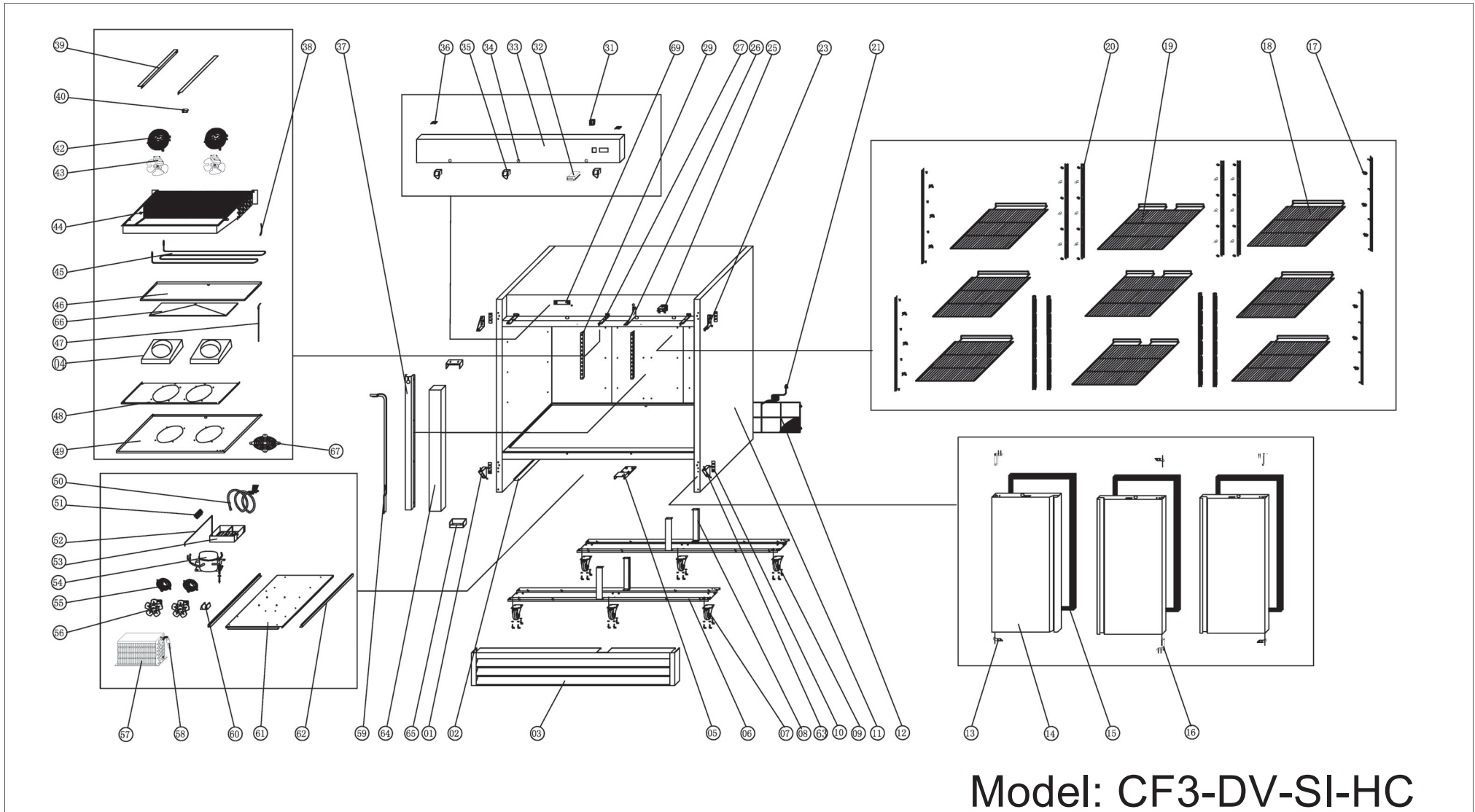
No.	PART #	DESCRIPTION	QTY	No.	PART #	DESCRIPTION	QTY
1	H00332	HINGE, BOTTOM LEFT	1	35	C2194677	DOOR SWITCH 3 PIN WHITE (AFTER START OF HC)	3
2	NON STOCKING	BAFFLE PLATE	1	36	H00321	HINGE, SHROUD UPPER	2
3	H00339S	SHROUD, LOWER 3D (STAINLESS INTERIOR)	1	37	H00311	CHANEL, SUCTION LINE COVER	1
4	GHC3014	AIR DUCT	1	38	NON STOCKING	EVAPORATOR SUPPORT	2
5	H00334S	HINGE, BOTTOM MIDDLE (SI)	1	40	H03335	SENSOR CLIP	1
6	NON-STOCKING	BASE CHANEL	2	41	H00112	EVAPORATOR FAN GUARD, WHITE	1
7	H00316	CASTER, 4" DIAMETER W/BRAKE	3	42	H00114-3	EVAPORATOR FAN MOTOR, L=1200, 100-120V 50/60HZ, 14W	1
8	NON-STOCKING	SUPPORT BRACKET	4	43	HC0351F	EVAPORATOR COIL (G-54F)	1
9	H00317	CASTER, 4" DIAMETER, W/O BRAKE	3	44	H00143.1	DRAIN PAN, EVAPORATOR 54F (USE AFTER 1409)	1
10	H00329	SHIMS, LOWER DOOR HINGES	2	45	GHC03921	EVAPORATOR FAN SUPPORT	1
11	NON STOCKING	CABINET	1	46	H00153S	EVAPORATOR COVER, WHITE	1
12	HC0315	COVER, LOWER REAR COMPARTMENT	1	47	HDV0012B	HELIX SUCTION PIPE+CAPILLARY B	1
13	H00326	HINGE AXIS JACKET, BOTTOM	3	48	HC0158	SUCTION PIPE	1
14	H00324-3S	DOOR, SOLID, STAINLESS INTERIOR BOTTOM MOUNT (HC)	3	49	C30014	CONDENSER DRAIN BOX	1
15	H00325-3S	GASKET, FULL DOOR, (25" X 52 9/16")	3	50	HC0009F	COMPRESSOR (NUG90LR) W/ FILTER DRIER	1
16	HC0328	DOOR CLOSURE	3	50	H00230	START KIT FOR NUG90LR	1
17	C3234860	PILASTER SHELF CLIP	36	50	H00305	CAPILLARY TUBE .063" ID X 177.17" L	1
18	H00308	SHELF, LEFT/RIGHT (23.62" X 24.33")	6	51	HC0113	CONDENSER FAN GRILL	1
19	H00310	SHELF, MIDDLE (24.3" X 26.0")	3	52	H00125	CONDENSER FAN MOTOR, BD03-04/CO6 (5W)	1
20	H00342	PILASTER	12	53	HC0348	CONDENSER COIL (TWO FAN) (HC-54F)	1
21	C2194684	POWER CORD, 14AWG/NEMA 5-15P	1	54	H00341	FILTER DRIER	1
22	H00329-1	SHIMS, UPPER DOOR HINGES	3	55	NON-STOCKING	VERTICAL SUCTION PIPE+CAPILLARY A	1
23	H00330	HINGE, TOP LEFT	1	56	NON-STOCKING	DRIER SUPPORT	1
23	H00331	HINGE, TOP RIGHT	1	57	NON-STOCKING	COMPRESSOR MOUNTING PANEL	1
24	NON STOCKING	SUPPORT PAN	1	58	NON-STOCKING	GUIDE RAIL/Left	1
25	H00215	TERMINAL BLOCK, 5 POLE	1	58	NON-STOCKING	GUIDE RAIL/Right	1
26	H00353	HINGE, UPPER, MIDDLE	1	59	H00333	HINGE, BOTTOM RIGHT	1
27	NON-STOCKING	UPPER SHROUD SUPPORT BRACKET	3	60	HC00022S	MULLION, CENTER (SI)	2
28	C2194688	LED LIGHT STRIP (REACH-IN) (LED2835, 2.4W, 24 VDC)	2	61	HC00112-1	MULLION BRACKET, MIDDLE (USE AFER DATE CODE 2201)	4
29	H104070118	LED POWER SUPPLY (24VAC/6.7W)	2	62	H00336	DRAIN JOINT	1
30	H00112-1	EVAPORATOR FAN GUARD	1	63	G30002	DRAIN FITTING (F)	1
32	H00219-2	CONTROLLER, DIXELL (XR20CX-4R0F1)	1	64	G30001	DRAIN PIPE FITTING	1
32	H00205	TEMPERATURE SENSOR NTC (118" LENGTH)	1	66	NON-STOCKING	TOP COVER PANEL	1
33	HC0320S	UPPER SHROUD, 3DR, BTM MT (SI)	1	67	NON-STOCKING	DRAIN Bracket	1
33	HC0320SC	UPPER SHROUD, 3DR, BTM MT (SI-MOTAK/CENTAUR)	1	68	NON-STOCKING	DRAIN HOLDER	1
34	HC00357	KEY-DOOR, LOCK (SOLD IN PACK OF TWO)	3	69	HC0391	DRAIN TUBING	1





## Parts List for Model: CF3-DV-HC

No.	PART #	DESCRIPTION	QTY	No.	PART #	DESCRIPTION	QTY
1	H00332	HINGE, BOTTOM LEFT	1	37	NON-STOCKING	CHANEL, SUCTION LINE COVER	1
2	NON STOCKING	BAFFLE PLATE	1	38	H00207	FUSE, THERMAL, DEFROST HEATER	1
3	H00339-1	SHROUD, LOWER 3D (USE AFTER DATE CODE 2201)	1	39	NON STOCKING	EVAPORATOR SUPPORT	2
4	GHC3014	AIR DUCT	2	40	H00335	SENSOR CLIP	1
5	H00334	HINGE, BOTTOM MIDDLE	1	42	H00112	EVAPORATOR FAN GUARD, WHITE	2
6	NON-STOCKING	BASE CHANEL	2	43	H00114-3	EVAPORATOR FAN MOTOR, L=1200, 100-120V 50/60HZ, 14W	2
7	H00316	CASTER, 4" DIAMETER W/BRAKE	3	43	HC0116-F	EVAPORATOR FAN BLADE (FOR ALL HC0116-1, 2, 3 TYPE FAN MOTORS)	2
8	NON-STOCKING	SUPPORT BRACKET	4	44	HC0352F-2	EVAPORATOR COIL, CF3-DV (AFTER DATE CODE 2201) (G-81FDV)	1
9	H00317	CASTER, 4" DIAMETER, W/O BRAKE	3	45	HC2201	DEFROST HEATING ELEMENT	1
10	H00329	SHIMS, LOWER DOOR HINGES	4	46	H00147	DRAIN PAN, EVAPORATOR (3DR DV)	1
11	NON STOCKING	CABINET	1	47	H00212	HEATER, DRAIN PIPE	1
12	C20007	COVER, SCREEN, BACK CONDENSER, 3DR	1	48	NON-STOCKING	EVAPORATOR COVER, WHITE	1
13	H00326	HINGE AXIS JACKET, BOTTOM	3	49	HC009029	EVAPORATOR COVER, WHITE (REPLACES H03483)	1
14	H00324-3	DOOR, SOLID, BOTTOM MOUNT (HC)	3	50	HDV0015B	HELIX SUCTION PIPE+CAPILLARY B	1
15	H00325-3	GASKET, DOOR BOTTOM MOUNT (HC) (52 3/8" X 24 13/16")	3	51	H00215.1	TERMINAL BLOCK	1
16	HC0328	DOOR CLOSURE	3	52	HC0165	SUCTION PIPE	1
17	C3234860	PILASTER SHELF CLIP	36	53	C30014	CONDENSER DRAIN BOX	1
18	H00308	SHELF, LEFT/RIGHT (23.62" X 24.33")	6	54	HC0019F	COMPRESSOR (NT2210U) WITH FILTER DRIER	1
19	H00310	SHELF, MIDDLE (24.3" X 26.0")	3	54	HC0019K	START KIT FOR NT2210U	1
20	H00342	PILASTER	12	54	H00306	CAPILLARY TUBE .063" ID X 153.54" L	1
21	C2194682	POWER CORD, 12AWG/NEMA L14-20P	1	55	H00113-2	CONDENSER FAN GRILL	2
23	H00330	HINGE, TOP LEFT	1	56	H00110	CONDENSER FAN MOTOR, 9W, M4Q045-CA27-04/CA01	2
23	H00331	HINGE, TOP RIGHT	1	56	HC0116-F	EVAPORATOR FAN BLADE (FOR ALL HC0116-1, 2, 3 TYPE FAN MOTORS)	2
25	H00220-4	CONTACTOR (KSR-40 AA)	1	57	HC0345	CONDENSER COIL (CF3DV) (G-D10) (HX-L220-99-SDHT001)	1
26	H00353-1	HINGE, TOP MIDDLE (USE AFTER DATE CODE 2201)	1	58	H00341	FILTER DRIER	1
27	NON-STOCKING	UPPER SHROUD SUPPORT BRACKET	3	59	HDV013A	VERTICAL SUCTION PIPE+CAPILLARY A	1
29	C2194688	LED LIGHT STRIP (REACH-IN) (LED2835, 2.4W, 24 VDC)	2	60	NON-STOCKING	DRIER SUPPORT	1
30	NON-STOCKING	THERMOSTAT WASHER	1	61	NON STOCKING	COMPRESSOR MOUNTING PANEL	1
31	C2194692	LIGHT SWITCH	1	62	NON-STOCKING	GUIDE RAIL/Left	1
32	HC0204	CONTROLLER, DIXELL (XR60CX-4R0F1)	1	62	NON-STOCKING	GUIDE RAIL/Right	1
32	H00205	TEMPERATURE SENSOR NTC (118" LENGTH)	2	63	H00333	HINGE, BOTTOM RIGHT	1
33	HC0321	UPPER SHROUD (3 DR, BAL DV)	1	64	HC00117	MULLION, CENTER (FREEZER)	2
33	HC0321C	UPPER SHROUD (3 DR, BAL DV) (MOTAK/CENTAUR)	1	65	HC00112-1	MULLION BRACKET, MIDDLE (USE AFER DATE CODE 2201)	4
34	HC00357	KEY-DOOR, LOCK (SOLD IN PACK OF TWO)	3	66	NON STOCKING	SUPPORT PAN	1
35	C2194677	DOOR SWITCH 3 PIN WHITE (AFTER START OF HC)	3	67	H00112-1	EVAPORATOR FAN GUARD	2
36	H00321	HINGE, SHROUD UPPER	2	69	H104070118	LED POWER SUPPLY (24VAC/6.7W)	1



Model: CF3-DV-SI-HC

## Parts List for Model: CF3-DV-SI-HC

No.	PART #	DESCRIPTION	QTY	No.	PART #	DESCRIPTION	QTY
1	H00332	HINGE, BOTTOM LEFT	1	37	H00311	CHANEL, SUCTION LINE COVER	1
2	NON STOCKING	BAFFLE PLATE	1	38	H00207	FUSE, THERMAL, DEFROST HEATER	1
3	H00339S	SHROUD, LOWER 3D (STAINLESS INTERIOR)	1	39	NON STOCKING	EVAPORATOR SUPPORT	1
4	GHC3014	AIR DUCT	2	40	H03335	SENSOR CLIP	1
5	H00334	HINGE, BOTTOM MIDDLE	1	42	H00112	EVAPORATOR FAN GUARD, WHITE	2
6	NON-STOCKING	BASE CHANEL	2	43	H00114-3	EVAPORATOR FAN (L=1200, 100-120V 50/60HZ, 14W)	2
7	H00316	CASTER, 4" DIAMETER W/BRAKE	3	43	HC0116-F	EVAPORATOR FAN BLADE (FOR ALL HC0116-1, 2, 3 TYPE FAN MOTORS)	2
8	NON-STOCKING	SUPPORT BRACKET	4	44	HC0352F-2	EVAPORATOR COIL, CF3-DV (AFTER DATE CODE 2201) (G-81FDV)	1
9	H00317	CASTER, 4" DIAMETER, W/O BRAKE	3	45	HC2201	DEFROST HEATING ELEMENT	1
10	H00329	SHIMS, LOWER DOOR HINGES	4	46	H00147	DRAIN PAN, EVAPORATOR (3DR DV)	1
11	NON STOCKING	CABINET	1	47	H00212	HEATER, DRAIN PIPE	1
12	C20007	COVER, SCREEN, BACK CONDENSER, 3DR	1	48	NON-STOCKING	EVAPORATOR COVER, WHITE	1
13	H00326	HINGE AXIS JACKET, BOTTOM	3	49	NON-STOCKING	EVAPORATOR COVER, WHITE	1
14	H00324-3S	DOOR, SOLID, STAINLESS INTERIOR BOTTOM MOUNT (HC)	3	50	HDV0015B	HELIX SUCTION PIPE+CAPILLARY B	1
15	H00325-3S	GASKET, FULL DOOR, (25" X 52 9/16")	3	51	H00215.1	TERMINAL BLOCK	1
16	HC0328	DOOR CLOSURE	3	52	HC0165	SUCTION PIPE	1
17	C3234860	PILASTER SHELF CLIP	36	53	C30014	CONDENSER DRAIN BOX	1
18	H00308	SHELF, LEFT/RIGHT (23.62" X 24.33")	6	54	HC0019F	COMPRESSOR (NT2210U) WITH FILTER DRIER	1
19	H00310	SHELF, MIDDLE (24.3" X 26.0")	3	54	HC0019K	START KIT FOR NT2210U	1
20	H00342	PILASTER	12	54	H00306	CAPILLARY TUBE .063" ID X 153.54" L	1
21	C2194682	POWER CORD, 12AWG/NEMA L14-20P	1	55	H00113-2	CONDENSER FAN GRILL	2
23	H00330	HINGE, TOP LEFT	1	56	H00110	CONDENSER FAN MOTOR, 9W, M4Q045-CA27-04/CA01	2
23	H00331	HINGE, TOP RIGHT	1	56	HC0116-F	EVAPORATOR FAN BLADE (FOR ALL HC0116-1, 2, 3 TYPE FAN MOTORS)	2
25	H00220-4	CONTACTOR (KSR-40 AA)	1	57	HC0345	CONDENSER COIL (CF3DV) (G-D10) (HX-L220-99-SDHT001)	1
26	H00353-1	HINGE, TOP MIDDLE (USE AFTER DATE CODE 2201)	1	58	H00341	FILTER DRIER	1
27	NON-STOCKING	UPPER SHROUD SUPPORT BRACKET	3	59	HDV013A	VERTICAL SUCTION PIPE+CAPILLARY A	1
29	C2194688	LED LIGHT STRIP (REACH-IN) (LED2835, 2.4W, 24 VDC)	2	60	NON-STOCKING	DRIER SUPPORT	1
30	NON-STOCKING	THERMOSTAT WASHER	1	61	NON STOCKING	COMPRESSOR MOUNTING PANEL	1
31	C2194692	LIGHT SWITCH	1	62	NON-STOCKING	GUIDE RAIL/Left	1
32	HC0204	CONTROLLER, DIXELL (XR60CX-4R0F1)	1	62	NON-STOCKING	GUIDE RAIL/Right	1
32	H00205	TEMPERATURE SENSOR NTC (118" LENGTH)	2	63	H00333	HINGE, BOTTOM RIGHT	1
33	HC0321	UPPER SHROUD (3 DR, BAL DV)	1	64	HC00117S	MULLION, CENTER (FREEZER) (SI)	2
33	HC0321C	UPPER SHROUD (3 DR, BAL DV) (MOTAK/CENTAUR)	1	65	HC00112-1	MULLION BRACKET, MIDDLE (USE AFER DATE CODE 2201)	4
34	HC00357	KEY-DOOR, LOCK (SOLD IN PACK OF TWO)	3	66	NON STOCKING	SUPPORT PAN	1
35	C2194677	DOOR SWITCH 3 PIN WHITE (AFTER START OF HC)	3	67	H108110138	EVAPORATOR FAN GUARD	2
36	H00321	HINGE, SHROUD UPPER	2	69	H104070118	LED POWER SUPPLY (24VAC/6.7W)	1



## PARTS LIST

FOR REACH-IN MODELS:

CR1-ES-HC, CF1-ES-HC, CR2-ES-HC, CF2-ES-HC.  
CR3-HC, & CF3-DV-HC



For Parts please Call (704) 900-2068

Revision Date (CWL): February 13, 2025