



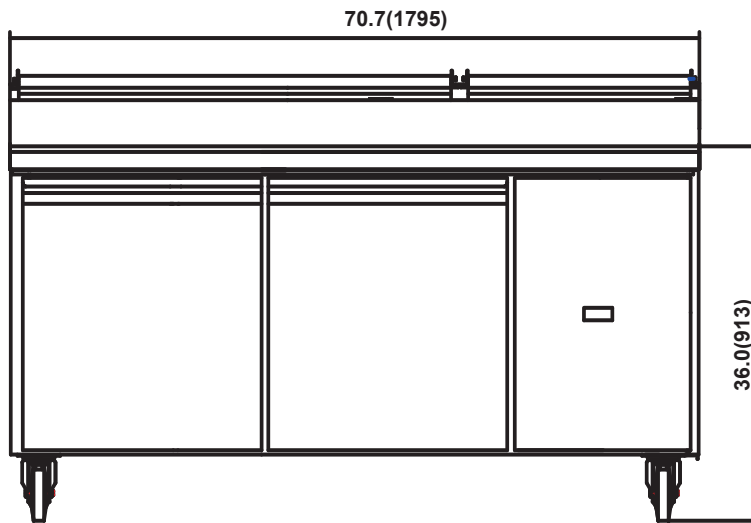
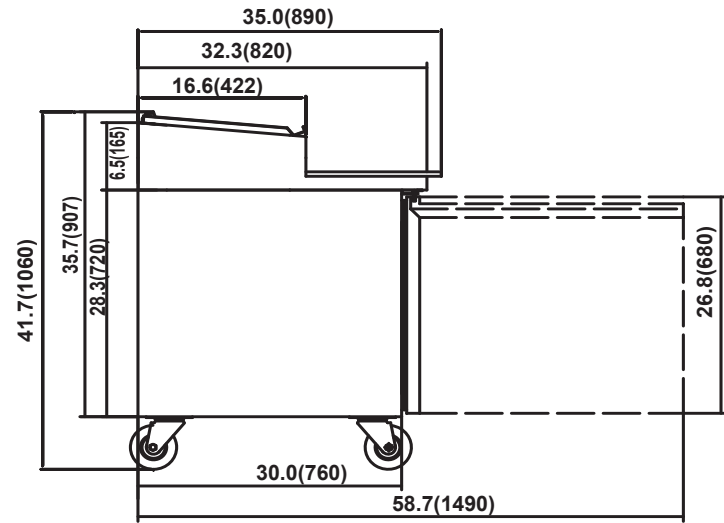
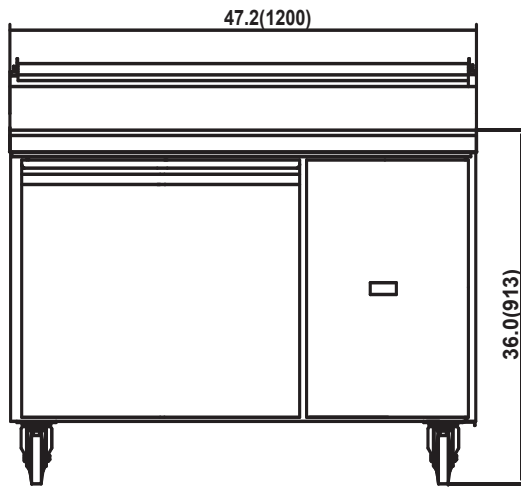
PARTS LIST

**FOR PIZZA PREP MODELS: P47-HC,
P47-SI-HC, P70-HC, P70-SI-HC, P94-HC,
P94-SI-HC**

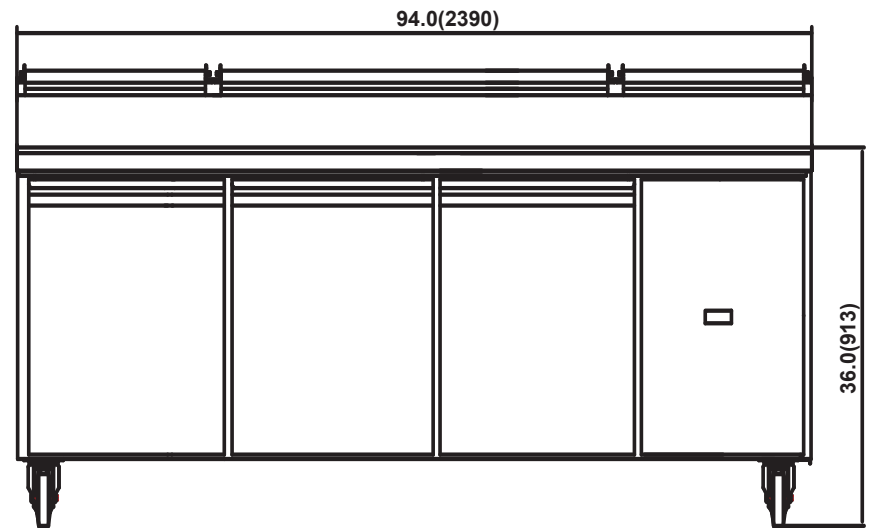


For Parts please Call (704) 900-2068

Revision Date: February 25, 2025



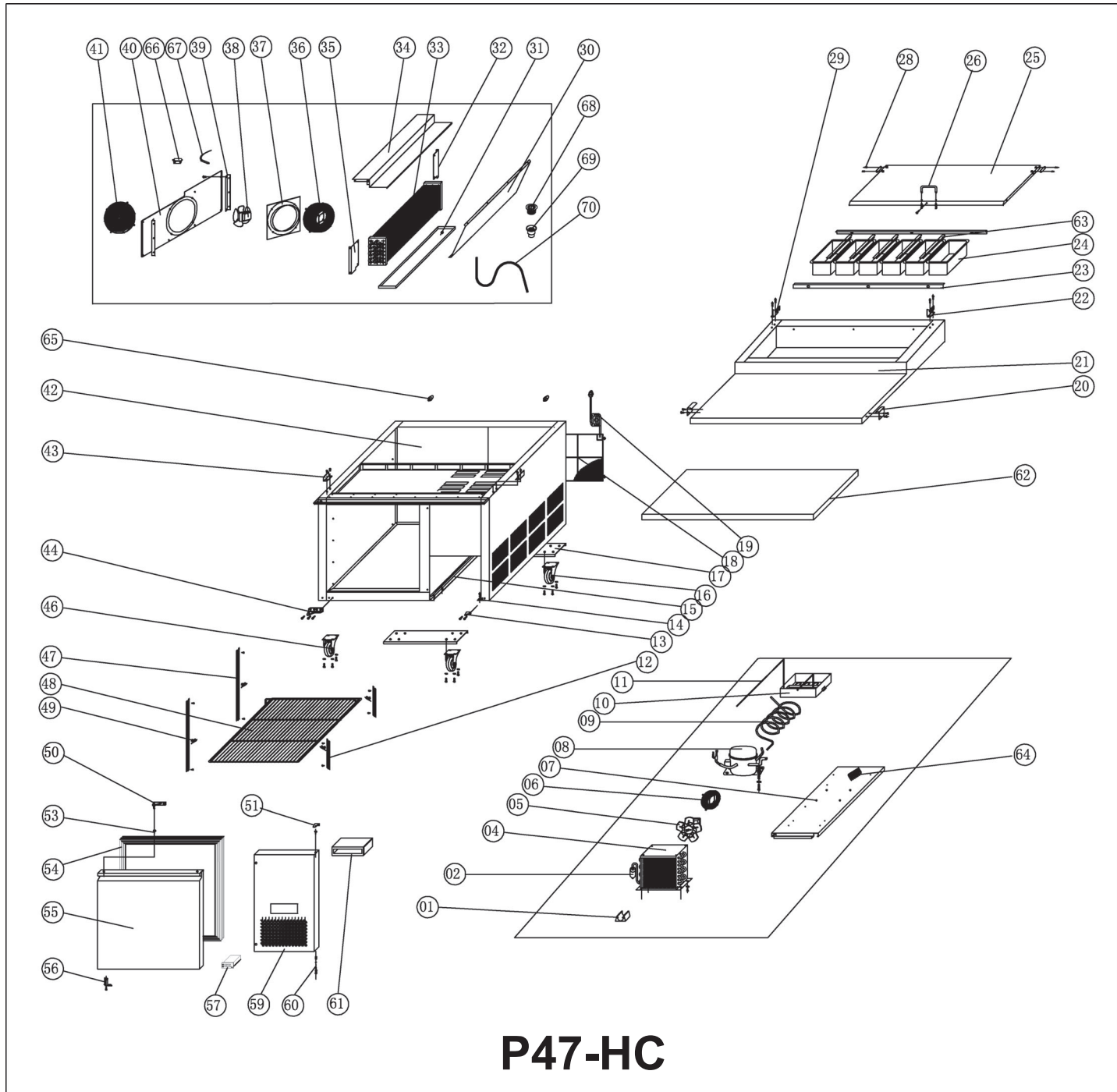
+



Model	Doors	Shelves	Pans	Cabinet Dim (inches)			HP	Voltage	Amps	NEMA Plug	Cord Length	Crated Weight
				L	D	H						
P47-HC	1	1	6 (1/3)	47.2	35.0	41.7	1/2	115/60/1	5	5-15P	10	348
P70-HC	2	2	9 (1/3)	70.7	35.0	41.7	1/2	115/60/1	5	5-15P	10	432
P94-HC	3	3	12 (1/3)	94.0	35.0	41.7	3/4	115/60/1	5.5	5-15P	10	582

SPECIFICATION:**PIZZA PREP TABLES**

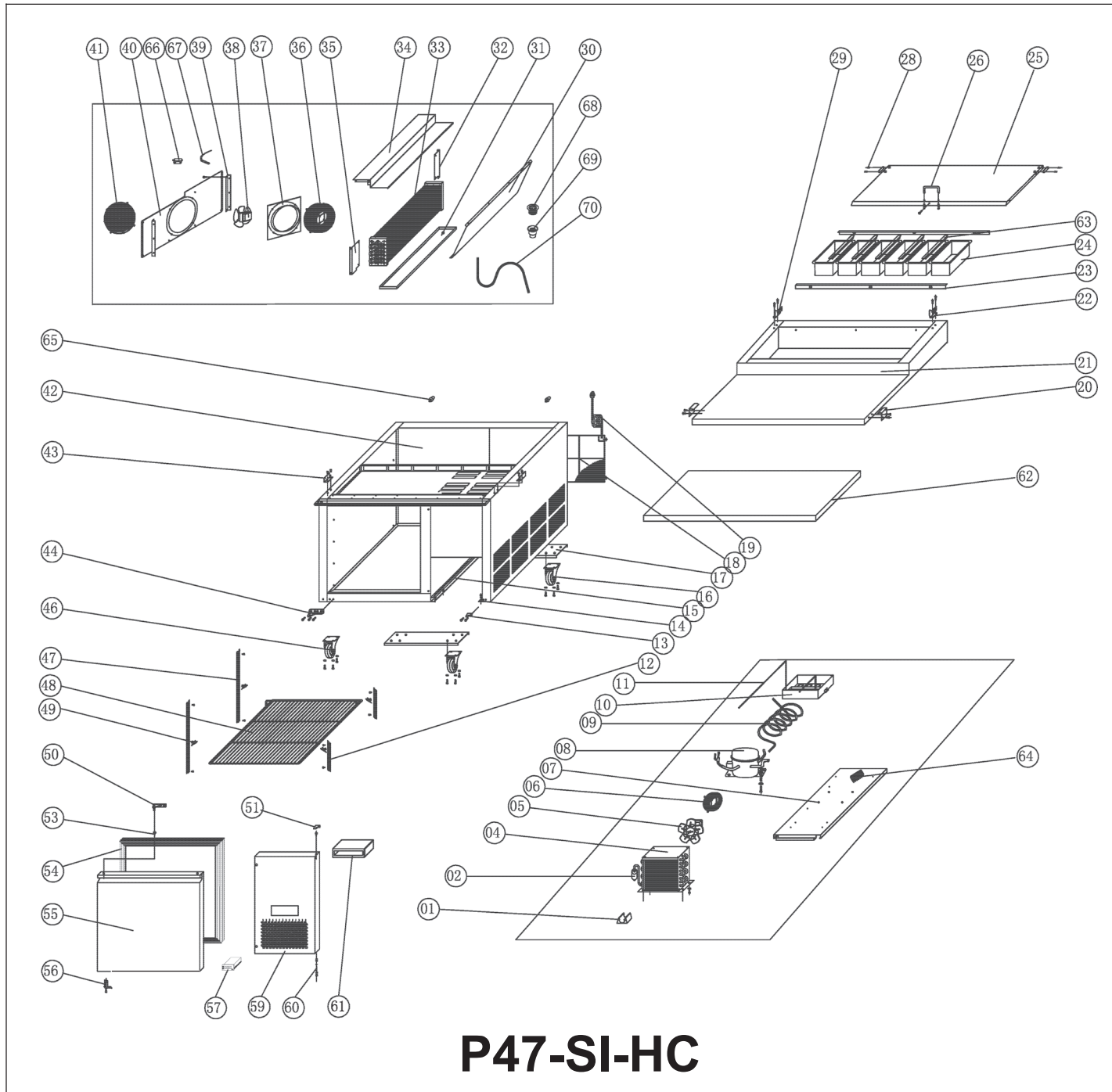
MODEL#	V/Hz/Ph	AMPS	STORAGE CAPACITY Cu-ft	PAN 1/3 Size	HP	SHELF CAPACIT Y Sq-ft	BTU	CHARG E OZ	SHIP WEIGH T LBS	NEMA PLUG
P47-HC	115/60/1	5	12	6	1/2	16	1365	3.7	348	5-15P
P70-HC	115/60/1	5	22	9	1/2	34	1365	3.7	432	5-15P
P94-HC	115/60/1	5.5	32	12	3/4	54	1877	3.7	582	5-15P



P47-HC

Parts List for Model: P47-HC

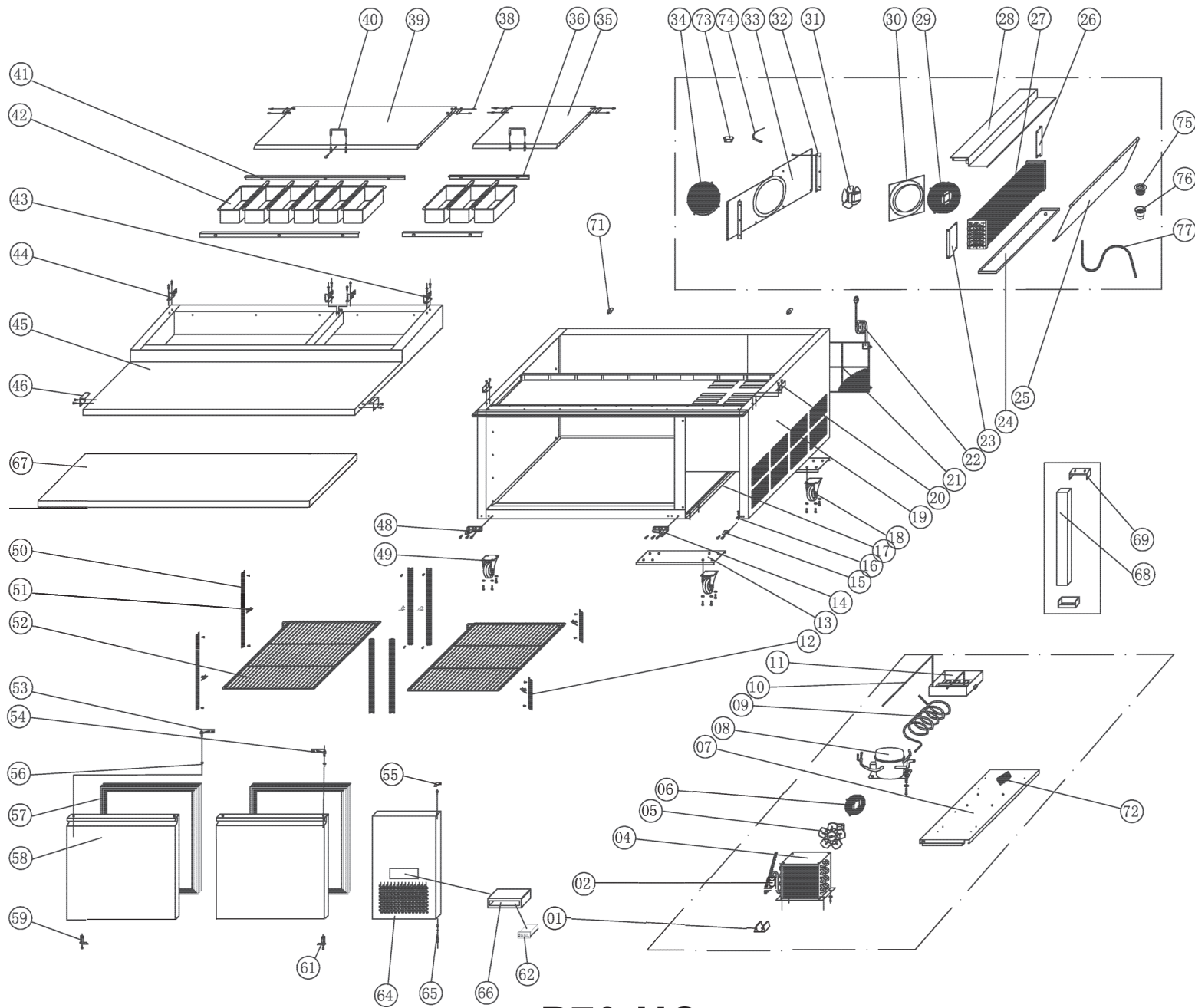
No.	PART #	DESCRIPTION	QTY	No.	PART #	DESCRIPTION	QTY
1	NON STOCKING	DRIER SUPPORT	1	36	H01122	EVAPORATOR FAN GRILL, (D200), WHITE	1
2	H00341	DRIER FILTER	1	37	H03132	EVAPORATOR FAN SUPPORT	1
4	HC0347	CONDENSER COIL (G-SS45BT)	1	38	H00110	EVAPORATOR FAN MOTOR, (CA27-04/CA01 L-600RPM)	1
5	H00110	CONDENSER FAN MOTOR, (CA27-04/CA01 L-600RPM)	1	38	H00121	EVAPORATOR FAN BLADE (V200)	1
5	HC0117-1	CONDENSER FAN BLADE (V172)	1	39	NON STOCKING	MOUNTING BRACKET	2
6	RD00111	CONDENSER FAN GRILL	1	40	NON STOCKING	FAN COVER	1
7	NON STOCKING	CONDENSER PANEL	1	41	H01123	EVAPORATOR FAN GRILL	1
8	H00039F	COMPRESSOR (EM2X3125U) W/ FILTER DRYER	1	42	NON STOCKING	CABINET	1
8	HC0001K	START KIT FOR EM2X3117U	1	43	NON STOCKING	MAIN TOP BRACKET	2
8	H03302	CAPILLARY TUBE (.055" ID X 98.42" L)	1	44	C01327LB	HINGE, LOWER LEFT	1
9	HC0132	SUCTION PIPE	1	46	H00316	CASTER, 4" DIAMETER W/ BRAKE	2
10	C30012	CONDENSER DRAIN BOX	1	47	H02342	PILASTER, LONG	2
11	HC0129	EVAPORATOR PIPE	1	48	H01311	SHELF (25.12" X 24.96")	1
12	H01342	PILASTER, SHORT (13.2")	2	49	C3234860	PILASTER CLIP	4
13	H03327	HINGE, CONDENSER COVER (LOWER)	1	50	C01327	HINGE, TOP LEFT	1
14	NON STOCKING	RIGHT GUIDE	1	51	H03328	HINGE, CONDENSER COVER (UPPER)	1
15	NON STOCKING	LEFT GUIDE	1	53	H00327B	HINGE BUSHING	3
16	H00317	CASTER, 4" DIAMETER WITHOUT BRAKE	2	53	H00327	HINGE PIN W/NUT & BUSHING	3
17	NON STOCKING	CASTER SUPPORT CHANEL	2	54	H01325	GASKET (25 1/2" X 26 11/64")	1
18	H02314	REAR COMPARTMENT COVER	1	55	H01322A	DOOR	1
19	C2194684	POWER CORD, 14AWG/NEMA 5-15P	1	56	H00328-1	HINGE CARTRIDGE, SELF CLOSING	1
20	H02382	CUTTING BOARD MOUNTING BRACKET	2	57	H00219-2	CONTROLLER, DIXELL (XR20CX-4R0F1)	1
21	NON STOCKING	MAIN TOP	1	59	H00386	CONDENSER COVER, FRONT	1
22	H00383	LID HINGE, RIGHT,	1	60	H04327	HINGE PIN, CONDENSER	2
23	H02344	FRONT/BACK PAN SUPPORT RAIL (6 WIDE)	2	61	NON STOCKING	THERMOSTAT PROTECTIVE BOX	1
24	H01241	FOOD PAN, 1/3 SIZE X 6"	6	61	HC300061	CONTROLLER PROTECTIVE COVER	1
25	H00375	LID, COVER	1	62	H01246	CUTTING BOARD (47.2" x 18.5")	1
25	NON STOCKING	LID, COVER FOAM	2	63	H02347	PAN SUPPORT	5
25	NON STOCKING	LID, COVER PANEL	2	64	H00215	TERMINAL BLOCK, 5 POLE	1
25	NON STOCKING	LID, COVER PANEL	2	65	H02315	REAR WALL SPACER	2
26	H00376	HANDLE, LID	1	66	H03335	SENSOR FIXED CLIP	1
28	H01234	LID HING PIN	4	67	H00260-2	TEMPERATURE SENSOR NTC TYPE (60")	1
29	H00380	LID HINGE, LEFT	1	67	H00232	TEMPERATURE SENSOR CONNECTOR	1
30	NON STOCKING	AIR FLOW PANEL	1	67	H00260-1	TEMPERATURE SENSOR NTC TYPE (60")	1
31	H01146	EVAPORATOR DRAIN PAN (23.2" X 4.75" X .6")	1	67	H00199	TEMPERATURE SENSOR CONNECTOR	1
32	NON STOCKING	EVAPORATOR, MOUNTING BRACKET	1	68	G30001	DRAIN PIPE FITTING (MALE)	1
33	H01346	EVAPORATOR COIL	1	69	G30001F	DRAIN CONNECTOR (FEMALE)	1
34	H03156	EVAPORATOR COVER	1	70	HC0396	DRAIN TUBING	1
35	NON STOCKING	EVAPORATOR, FRONT MOUNTING BRACKET	1				



P47-SI-HC

Parts List for Model: P47-SI-HC

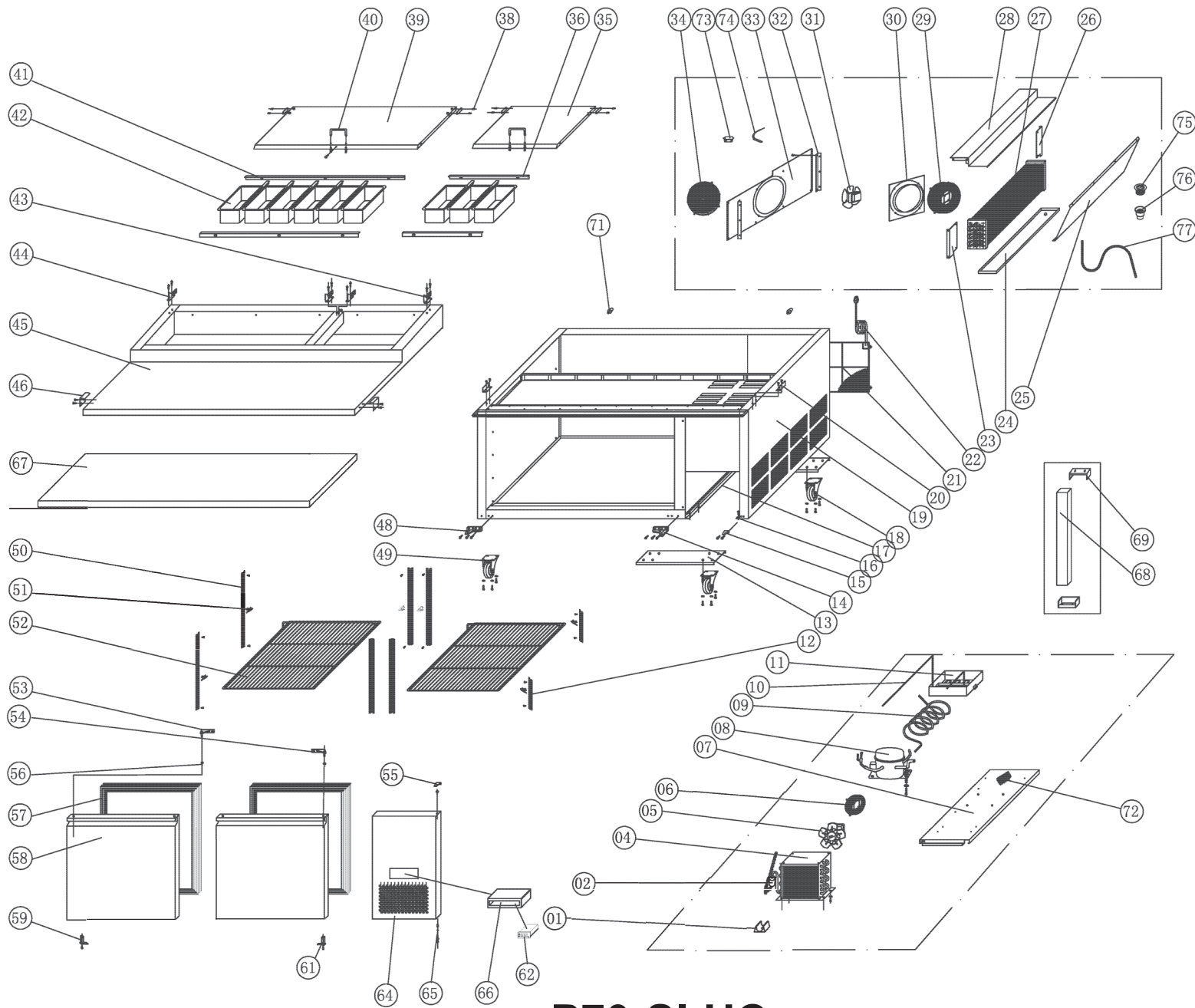
No.	PART #	DESCRIPTION	QTY	No.	PART #	DESCRIPTION	QTY
1	NON STOCKING	DRIER SUPPORT	1	36	H01122	EVAPORATOR FAN GRILL, (D200), WHITE	1
2	H00341	DRIER FILTER	1	37	H03132	EVAPORATOR FAN SUPPORT	1
4	HC0347	CONDENSER COIL (G-SS45BT)	1	38	H00110	EVAPORATOR FAN MOTOR, (CA27-04/CA01 L-600RPM)	1
5	H00110	CONDENSER FAN MOTOR, (CA27-04/CA01 L-600RPM)	1	38	H00121	EVAPORATOR FAN BLADE (V200)	1
5	HC0117-1	CONDENSER FAN BLADE (V172)	1	39	NON STOCKING	MOUNTING BRACKET	2
6	RD00111	CONDENSER FAN GRILL	1	40	NON STOCKING	FAN COVER	1
7	NON STOCKING	CONDENSER PANEL	1	41	H01123	EVAPORATOR FAN GRILL	1
8	H00039F	COMPRESSOR (EM2X3125U) W/ FILTER DRYER	1	42	NON STOCKING	CABINET	1
8	HC0001K	START KIT FOR EM2X3117U	1	43	NON STOCKING	MAIN TOP BRACKET	2
8	H03302	CAPILLARY TUBE (.055" ID X 98.42" L)	1	44	C01327LB	HINGE, LOWER LEFT	1
9	HC0132	SUCTION PIPE	1	46	H00316	CASTER, 4" DIAMETER W/ BRAKE	2
10	C30012	CONDENSER DRAIN BOX	1	47	H02342	PILASTER, LONG	2
11	HC0129	EVAPORATOR PIPE	1	48	H01311	SHELF (25.12" X 24.96")	1
12	H01342	PILASTER, SHORT (13.2")	2	49	C3234860	PILASTER CLIP	4
13	H03327	HINGE, CONDENSER COVER (LOWER)	1	50	C01327	HINGE, TOP LEFT	1
14	NON STOCKING	RIGHT GUIDE	1	51	H03328	HINGE, CONDENSER COVER (UPPER)	1
15	NON STOCKING	LEFT GUIDE	1	53	H00327B	HINGE BUSHING	3
16	H00317	CASTER, 4" DIAMETER WITHOUT BRAKE	2	53	H00327	HINGE PIN W/NUT & BUSHING	3
17	NON STOCKING	CASTER SUPPORT CHANEL	2	54	H01325	GASKET (25 1/2" X 26 11/64")	1
18	H02314	REAR COMPARTMENT COVER	1	55	HC1322S	DOOR (SS INTERIOR)	1
19	C2194684	POWER CORD, 14AWG/NEMA 5-15P	1	56	H00328-1	HINGE CARTRIDGE, SELF CLOSING	1
20	H02382	CUTTING BOARD MOUNTING BRACKET	2	57	H00219-2	CONTROLLER, DIXELL (XR20CX-4R0F1)	1
21	NON STOCKING	MAIN TOP	1	59	H00386	CONDENSER COVER, FRONT	1
22	H00383	LID HINGE, RIGHT,	1	60	H04327	HINGE PIN, CONDENSER	2
23	H02344	FRONT/BACK PAN SUPPORT RAIL (6 WIDE)	2	61	NON STOCKING	THERMOSTAT PROTECTIVE BOX	1
24	H01241	FOOD PAN, 1/3 SIZE X 6"	6	61	HC300061	CONTROLLER PROTECTIVE COVER	1
25	H00375S	LID, PIZZA PREP (SS INTERIOR)	1	62	H01246	CUTTING BOARD (47.2" x 18.5")	1
25	NON STOCKING	LID, COVER FOAM	2	63	H02347	Pan Support	5
25	NON STOCKING	LID, COVER PANEL	2	64	H00215	TERMINAL BLOCK, 5 POLE	1
25	NON STOCKING	LID, COVER PANEL	2	65	H02315	REAR WALL SPACER	2
26	H00376	HANDLE, LID	1	66	H03335	SENSOR FIXED CLIP	1
28	H01234	LID HING PIN	4	67	H00260-2	TEMPERATURE SENSOR NTC TYPE (60")	1
29	H00380	LID HINGE, LEFT	1	67	H00232	TEMPERATURE SENSOR CONNECTOR	1
30	NON STOCKING	AIR FLOW PANEL	1	67	H00260-1	TEMPERATURE SENSOR NTC TYPE (60")	1
31	H01146	EVAPORATOR DRAIN PAN (23.2" X 4.75" X .6")	1	67	H00199	TEMPERATURE CONNECTOR	1
32	NON STOCKING	MOUNTING BRACKET	1	68	G30001	DRAIN PIPE FITTING (MALE)	1
33	H01346	EVAPORATOR COIL	1	69	G30001F	DRAIN CONNECTOR (FEMALE)	1
34	H03156S	EVAPORATOR COVER**	1**	70	HC0396	DRAIN TUBING	1
35	NON STOCKING	FRONT MOUNTING BRACKET	1				



P70-HC

Parts List for Model: P70-HC

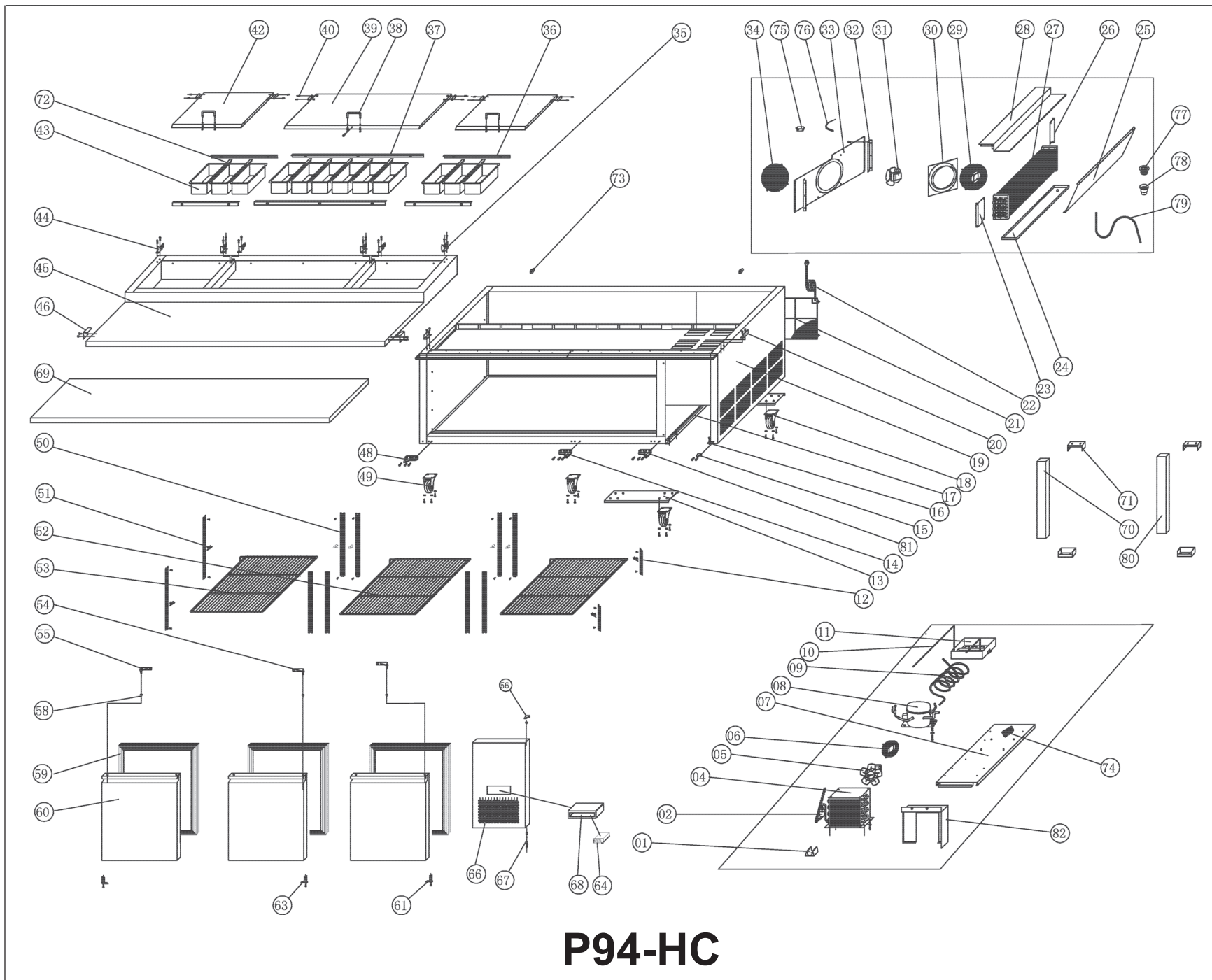
No.	PART #	DESCRIPTION	QTY	No.	PART #	DESCRIPTION	QTY
1	NON STOCKING	DRIER SUPPORT	1	39	H00375	LID, COVER	1
2	H00341	DRIER FILTER	1	39	NON STOCKING	LID, COVER FOAM	2
4	HC0347	CONDENSER COIL (G-SS45BT)	1	39	NON STOCKING	LID, COVER PANEL	2
5	H00110	CONDENSER FAN MOTOR, (CA27-04/CA01 L-600RPM)	1	39	NON STOCKING	LID, COVER PANEL	2
5	HC0117-1	CONDENSER FAN BLADE (V172)	1	40	H00376	HANDLE, LID	2
6	RD00111	CONDENSER FAN GRILL	1	41	H02344	FRONT/BACK PAN SUPPORT RAIL (6 WIDE)	2
7	NON STOCKING	CONDENSER PANEL	1	42	H01241	FOOD PAN, 1/3 SIZE X 6"	9
8	H00039F	COMPRESSOR (EM2X3125U) W/ FILTER DRYER	1	43	H00383	LID HINGE, RIGHT,	2
8	HC0001K	START KIT FOR EM2X3117U	1	44	H00380	LID HINGE, LEFT	2
8	H01302	CAPILLARY TUBE (.055" ID X 118.11" L)	1	45	NON STOCKING	MAIN TOP	1
9	HC0133	SUCTION PIPE	1	46	H02382	CUTTING BOARD MOUNTING BRACKET	2
10	HC0129	EVAPORATOR PIPE	1	48	C01327LB	HINGE, LOWER LEFT	1
11	C30012	CONDENSER DRAIN BOX	1	49	H00316	CASTER, 4" DIAMETER W/ BRAKE	2
12	H01342	PILASTER, SHORT (13.2")	2	50	H02342	PILASTER, LONG	6
13	NON STOCKING	CASTER SUPPORT CHANEL	2	51	C3234860	PILASTER CLIP	8
14	C02327RB	HINGE, LOWER RIGHT	1	52	H02307	SHELF, LEFT AND RIGHT (24.06" * 24.96")	2
14	H00327-2	HINGE PIN W/NUT & BUSHING	1	53	C01327	HINGE, TOP LEFT	1
15	H03327	HINGE, CONDENSER COVER (LOWER)	1	54	C02327	HINGE, TOP RIGHT	1
16	NON STOCKING	RIGHT GUIDE	1	55	H03328	HINGE, CONDENSER COVER (UPPER)	1
17	NON STOCKING	LEFT GUIDE	1	56	H00327B	HINGE BUSHING	4
18	H00317	CASTER, 4" DIAMETER WITHOUT BRAKE	2	56	H00327	HINGE PIN W/NUT & BUSHING	4
19	NON STOCKING	CABINET	1	57	H01319	GASKET (25 1/2" X 24 11/64")	2
20	NON STOCKING	MAIN TOP BRACKET	2	58	H02324-1	DOOR	2
21	H02314	REAR COMPARTMENT COVER	1	59	H00328-1	HINGE CARTRIDGE, SELF CLOSING	1
22	C2194684	POWER CORD, 14AWG/NEMA 5-15P	1	61	H00328-2	HINGE CARTRIDGE, SELF CLOSING	1
23	NON STOCKING	FRONT MOUNTING BRACKET	1	62	H00219-2	CONTROLLER, DIXELL (XR20CX-4R0F1)	1
24	H01146	EVAPORATOR DRAIN PAN (23.2" X 4.75" X .6")	1	64	H00386	CONDENSER COVER, FRONT	1
25	NON STOCKING	AIR FLOW PANEL	1	65	H04327	HINGE PIN, CONDENSER	2
26	NON STOCKING	MOUNTING BRACKET	1	66	NON STOCKING	THERMOSTAT PROTECTIVE BOX	1
27	H01346	EVAPORATOR COIL	1	66	HC300061	CONTROLLER PROTECTIVE COVER	1
28	H03156	EVAPORATOR COVER	1	67	H01247	CUTTING BOARD (70.7" x 18.5")	1
29	H01122	EVAPORATOR FAN GRILL, (D200), WHITE	1	68	HC00019	CENTER MULLION W/HEATER	1
30	H03132	EVAPORATOR FAN SUPPORT	1	69	HC00113	CENTER MULLION BRACKET	2
31	H00110	EVAPORATOR FAN MOTOR, (CA27-04/CA01 L-600RPM)	1	70	H02347	Pan Support	7
31	H00121	EVAPORATOR FAN BLADE (V200)	1	71	H02315	REAR WALL SPACER	2
32	NON STOCKING	MOUNTING BRACKET	2	72	H00215	TERMINAL BLOCK, 5 POLE	1
33	NON STOCKING	FAN COVER	1	73	H03335	SENSOR FIXED CLIP	1
34	H01123	EVAPORATOR FAN GRILL	1	74	H00260-2	TEMPERATURE SENSOR NTC TYPE (60")	1
35	H00374	LID, COVER	1	74	H00232	TEMPERATURE SENSOR CONNECTOR	1
35	NON STOCKING	LID, COVER FOAM	2	74	H00260-1	TEMPERATURE SENSOR NTC TYPE (60")	1
35	NON STOCKING	LID, COVER PANEL	2	74	H00199	TEMPERATURE CONNECTOR	1
35	NON STOCKING	LID, COVER PANEL	1	75	G30001	DRAIN PIPE FITTING (MALE)	1
36	H02345	FRONT/BACK PAN SUPPORT RAIL (3 WIDE)	2	76	G30001F	DRAIN CONNECTOR (FEMALE)	1
38	H01234	LID HINGE PIN	8	77	HC0396	DRAIN TUBING	1



P70-SI-HC

Parts List for Model: P70-SI-HC

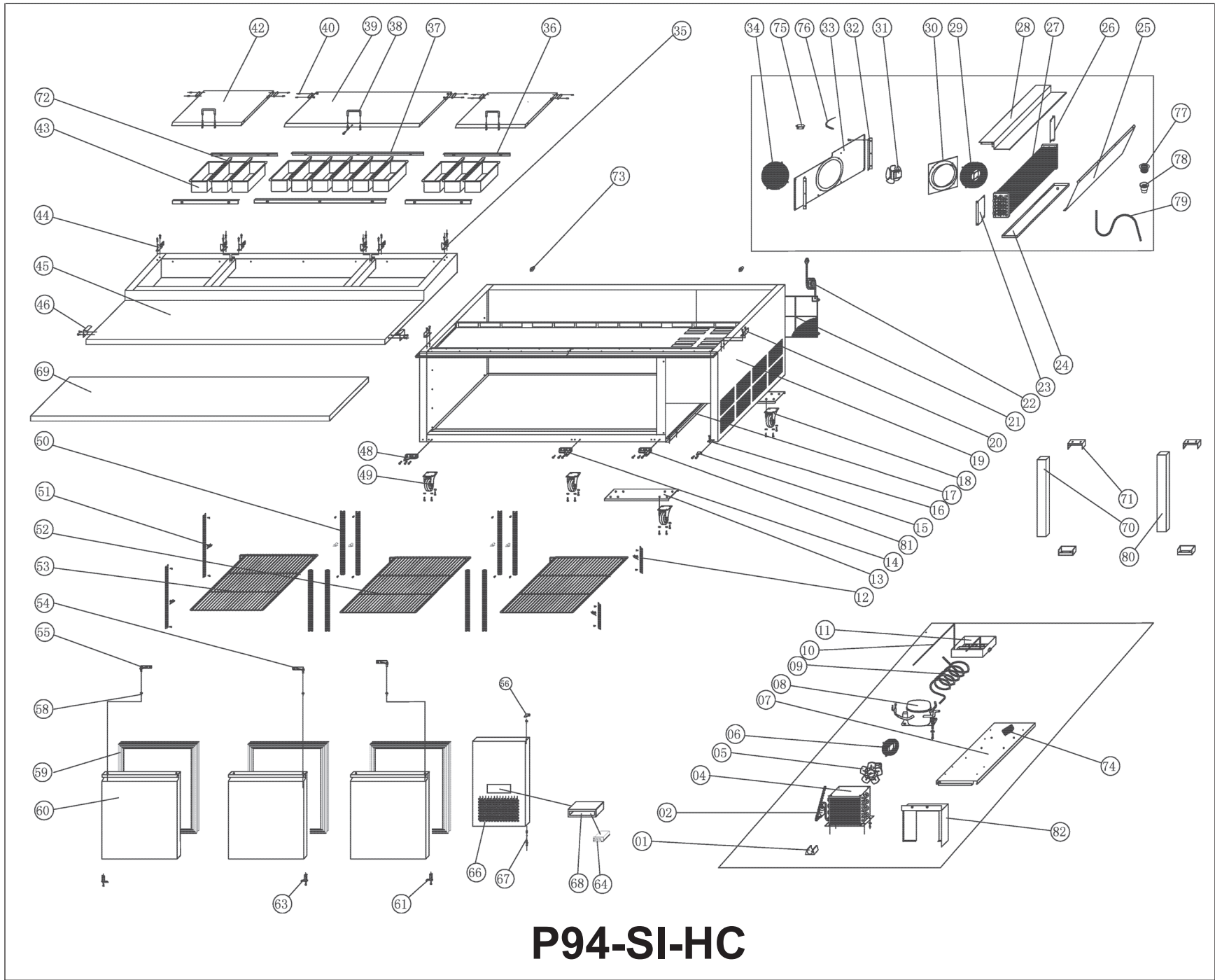
No.	PART #	DESCRIPTION	QTY	No.	PART #	DESCRIPTION	QTY
1	NON STOCKING	DRIER SUPPORT	1	39	H00375S	LID, PIZZA PREP (SS INTERIOR)	1
2	H00341	DRIER FILTER	1	39	NON STOCKING	LID, COVER FOAM	2
4	HC0347	CONDENSER COIL (G-SS45BT)	1	39	NON STOCKING	LID, COVER PANEL	2
5	H00110	CONDENSER FAN MOTOR, (CA27-04/CA01 L-600RPM)	1	39	NON STOCKING	LID, COVER PANEL	2
5	HC0117-1	CONDENSER FAN BLADE (V172)	1	40	H00376	HANDLE, LID	2
6	RD00111	CONDENSER FAN GRILL	1	41	H02344	FRONT/BACK PAN SUPPORT RAIL (6 WIDE)	2
7	NON STOCKING	CONDENSER PANEL	1	42	H01241	FOOD PAN, 1/3 SIZE X 6"	9
8	H00039F	COMPRESSOR (EM2X3125U) W/ FILTER DRYER	1	43	H00383	LID HINGE, RIGHT,	2
8	HC0001K	START KIT FOR EM2X3117U	1	44	H00380	LID HINGE, LEFT	2
8	H01302	CAPILLARY TUBE (.055" ID X 118.11" L)	1	45	NON STOCKING	MAIN TOP	1
9	HC0133	SUCTION PIPE	1	46	H02382	CUTTING BOARD MOUNTING BRACKET	2
10	HC0129	EVAPORATOR PIPE	1	48	C01327LB	HINGE, LOWER LEFT	1
11	C30012	CONDENSER DRAIN BOX	1	49	H00316	CASTER, 4" DIAMETER W/ BRAKE	2
12	H01342	PILASTER, SHORT (13.2")	2	50	H02342	PILASTER, LONG	6
13	NON STOCKING	CASTER SUPPORT CHANEL	2	51	C3234860	PILASTER CLIP	8
14	C02327RB	HINGE, LOWER RIGHT	1	52	H02307	SHELF, LEFT AND RIGHT (24.06" * 24.96")	2
14	H00327-2	HINGE PIN W/NUT & BUSHING	1	53	C01327	HINGE, TOP LEFT	1
15	H03327	HINGE, CONDENSER COVER (LOWER)	1	54	C02327	HINGE, TOP RIGHT	1
16	NON STOCKING	RIGHT GUIDE	1	55	H03328	HINGE, CONDENSER COVER (UPPER)	1
17	NON STOCKING	LEFT GUIDE	1	56	H00327B	HINGE BUSHING	4
18	H00317	CASTER, 4" DIAMETER WITHOUT BRAKE	2	56	H00327	HINGE PIN W/NUT & BUSHING	4
19	NON STOCKING	CABINET	1	57	H01319	GASKET (25 1/2" X 24 11/64")	2
20	NON STOCKING	MAIN TOP BRACKET	2	58	H02324S	DOOR (SS INTERIOR)	2
21	H02314	REAR COMPARTMENT COVER	1	59	H00328-1	HINGE CARTRIDGE, SELF CLOSING	1
22	C2194684	POWER CORD, 14AWG/NEMA 5-15P	1	61	H00328-2	HINGE CARTRIDGE, SELF CLOSING	1
23	NON STOCKING	FRONT MOUNTING BRACKET	1	62	H00219-2	CONTROLLER, DIXELL (XR20CX-4R0F1)	1
24	H01146	EVAPORATOR DRAIN PAN (23.2" X 4.75" X .6")	1	64	H00386	CONDENSER COVER, FRONT	1
25	NON STOCKING	AIR FLOW PANEL	1	65	H04327	HINGE PIN, CONDENSER	2
26	NON STOCKING	MOUNTING BRACKET	1	66	NON STOCKING	THERMOSTAT PROTECTIVE BOX	1
27	H01346	EVAPORATOR COIL	1	66	HC300061	CONTROLLER PROTECTIVE COVER	1
28	H03156S	EVAPORATOR COVER**	1**	67	H01247	CUTTING BOARD (70.7" x 18.5")	1
29	H01122	EVAPORATOR FAN GRILL, (D200), WHITE	1	68	HC00019S	MULLION, (LEFT SS INTERIOR - 90)	1
30	H03132	EVAPORATOR FAN SUPPORT	1	69	HC00113	CENTER MULLION BRACKET	2
31	H00110	EVAPORATOR FAN MOTOR, (CA27-04/CA01 L-600RPM)	1	70	H02347	Pan Support	7
31	H00121	EVAPORATOR FAN BLADE (V200)	1	71	H02315	REAR WALL SPACER	2
32	NON STOCKING	MOUNTING BRACKET	2	72	H00215	TERMINAL BLOCK, 5 POLE	1
33	NON STOCKING	FAN COVER	1	73	H03335	SENSOR FIXED CLIP	1
34	H01123	EVAPORATOR FAN GRILL	1	74	H00260-2	TEMPERATURE SENSOR NTC TYPE (60")	1
35	H00374S	LID, PIZZA PREP (SS INTERIOR)	1	74	H00232	TEMPERATURE SENSOR CONNECTOR	1
35	NON STOCKING	LID, COVER FOAM	2	74	H00260-1	TEMPERATURE SENSOR NTC TYPE (60")	1
35	NON STOCKING	LID, COVER PANEL	2	74	H00199	TEMPERATURE CONNECTOR	1
35	NON STOCKING	LID, COVER PANEL	1	75	G30001	DRAIN PIPE FITTING (MALE)	1
36	H02345	FRONT/BACK PAN SUPPORT RAIL (3 WIDE)	2	76	G30001F	DRAIN CONNECTOR (FEMALE)	1
38	H01234	LID HINGE PIN	8	77	HC0396	DRAIN TUBING	1



P94-HC

Parts List for Model: P94-HC

No.	PART #	DESCRIPTION	QTY	No.	PART #	DESCRIPTION	QTY
1	NON STOCKING	DRIER SUPPORT	1	42	H00374	LID, COVER	2
2	H00341	DRIER FILTER	1	42	NON STOCKING	LID, COVER FOAM	4
4	HC020025	CONDENSER COIL (G-GN650TN/BT)	1	42	NON STOCKING	LID, COVER PANEL	4
5	H00110	CONDENSER FAN MOTOR, (CA27-04/CA01 L-600RPM)	1	42	NON STOCKING	LID, COVER PANEL	2
5	H00121	CONDENSER FAN BLADE (V200)	1	43	H01241	FOOD PAN, 1/3 SIZE X 6"	12
6	HC0113	CONDENSER FAN GRILL	1	44	H00380	LID HINGE, LEFT	3
7	NON STOCKING	CONDENSER PANEL	1	45	NON STOCKING	MAIN TOP	1
8	HC0009F	COMPRESSOR (NUG90LR) W/ FILTER DRYER	1	46	H02382	CUTTING BOARD MOUNTING BRACKET	2
8	H00230	START KIT FOR NUG90LR	1	48	C01327LB	HINGE, LOWER LEFT	1
8	H03303	CAPILLARY TUBE (.055" ID X 157.48" L)	1	49	H00316	CASTER, 4" DIAMETER W/ BRAKE	3
9	HC0134	SUCTION PIPE	1	50	H02342	PILASTER, LONG	10
10	HC0129-1	EVAPORATOR PIPE	1	51	C3234860	PILASTER CLIP	12
11	C30012	CONDENSER DRAIN BOX	1	52	H03307	SHELF, CENTER (24.68" X 24.96")	1
12	H01342	PILASTER, SHORT (13.2")	2	53	H02308	SHELF, LEFT AND RIGHT (23.23" X 24.96")	2
13	NON STOCKING	CASTER SUPPORT CHANNEL	2	54	C02327	HINGE, TOP RIGHT	2
14	C02327RB	HINGE, LOWER RIGHT	1	55	C01327	HINGE, TOP LEFT	1
15	H03327	HINGE, CONDENSER COVER (LOWER)	1	56	H03328	HINGE, CONDENSER COVER (UPPER)	1
16	NON STOCKING	RIGHT GUIDE	1	58	H00327B	HINGE BUSHING	5
17	NON STOCKING	LEFT GUIDE	1	58	H00327	HINGE PIN W/NUT & BUSHING	5
18	H00317	CASTER, 4" DIAMETER WITHOUT BRAKE	3	59	H01318	GASKET (25 1/2" X 23 5/16")	3
19	NON STOCKING	CABINET	1	60	H00323-1	DOOR	3
20	NON STOCKING	MAIN TOP BRACKET	2	61	H00328-2	HINGE CARTRIDGE, SELF CLOSING	1
21	H02314	REAR COMPARTMENT COVER	1	63	H00328-1	HINGE CARTRIDGE, SELF CLOSING	2
22	C2194684	POWER CORD, 14AWG/NEMA 5-15P	1	64	H00219-2	CONTROLLER, DIXELL (XR20CX-4R0F1)	1
23	NON STOCKING	FRONT MOUNTING BRACKET	1	66	H00386	CONDENSER COVER, FRONT	1
24	H01146	EVAPORATOR DRAIN PAN (23.2" X 4.75" X .6")	1	67	H04327	HINGE PIN, CONDENSER	2
25	NON STOCKING	AIR FLOW PANEL	1	68	NON STOCKING	THERMOSTAT PROTECTIVE BOX	1
26	NON STOCKING	MOUNTING BRACKET	1	68	HC300061	CONTROLLER PROTECTIVE COVER	1
27	H01346	EVAPORATOR COIL	1	69	H01248	CUTTING BOARD (94.0" x 18.5")	1
28	H03156	EVAPORATOR COVER	1	70	HC00019	CENTER MULLION W/HEATER	1
29	H01122	EVAPORATOR FAN GRILL, (D200), WHITE	1	71	HC00113	CENTER MULLION BRACKET	4
30	H03132	EVAPORATOR FAN SUPPORT	1	72	H02347	Pan Support	9
31	H00110	EVAPORATOR FAN MOTOR, (CA27-04/CA01 L-600RPM)	1	73	H02315	REAR WALL SPACER	2
31	H00121	EVAPORATOR FAN BLADE (V200)	1	74	H00215	TERMINAL BLOCK, 5 POLE	1
32	NON STOCKING	MOUNTING BRACKET	2	75	H03335	SENSOR FIXED CLIP	1
33	NON STOCKING	FAN COVER	1	76	H00260-2	TEMPERATURE SENSOR NTC TYPE (60")	1
34	H01123	EVAPORATOR FAN GRILL	1	76	H00232	TEMPERATURE SENSOR CONNECTOR	1
35	H00383	LID HINGE, RIGHT,	3	76	H00260-1	TEMPERATURE SENSOR NTC TYPE (60")	1
36	H02345	FRONT/BACK PAN SUPPORT RAIL (3 WIDE)	4	76	H00199	TEMPERATURE CONNECTOR	1
37	H02344	FRONT/BACK PAN SUPPORT RAIL (6 WIDE)	2	77	G30001	DRAIN PIPE FITTING (MALE)	1
38	H00376	HANDLE, LID	3	78	G30001F	DRAIN CONNECTOR (FEMALE)	1
39	H00375	LID, COVER	1	79	HC0396	DRAIN TUBING	1
39	NON STOCKING	LID, COVER FOAM	2	80	HC00028	MULLION, RIGHT	1
39	NON STOCKING	LID, COVER PANEL	2	81	C02327RB	HINGE, LOWER RIGHT	1
39	NON STOCKING	LID, COVER PANEL	2	81	H00327-2	HINGE PIN W/NUT & BUSHING	1
40	H01234	LID HING PIN	12	82	NON STOCKING	CONDENSER COIL COVER	1



P94-SI-HC

Parts List for Model: P94-SI-HC

No.	PART #	DESCRIPTION	QTY	No.	PART #	DESCRIPTION	QTY
1	NON STOCKING	DRIER SUPPORT	1	42	H00374S	LID, PIZZA PREP (SS INTERIOR)	2
2	H00341	DRIER FILTER	1	42	NON STOCKING	LID, COVER FOAM	4
4	HC020025	CONDENSER COIL (G-GN650TN/BT)	1	42	NON STOCKING	LID, COVER PANEL	4
5	H00110	CONDENSER FAN MOTOR, (CA27-04/CA01 L-600RPM)	1	42	NON STOCKING	LID, COVER PANEL	2
5	H00121	CONDENSER FAN BLADE (V200)	1	43	H01241	FOOD PAN, 1/3 SIZE X 6"	12
6	HC0113	CONDENSER FAN GRILL	1	44	H00380	LID HINGE, LEFT	3
7	NON STOCKING	CONDENSER PANEL	1	45	NON STOCKING	MAIN TOP	1
8	HC0009F	COMPRESSOR (NUG90LR) W/ FILTER DRYER	1	46	H02382	CUTTING BOARD MOUNTING BRACKET	2
8	H00230	START KIT FOR NUG90LR	1	48	C01327LB	HINGE, LOWER LEFT	1
8	H03303	CAPILLARY TUBE (.055" ID X 157.48" L)	1	49	H00316	CASTER, 4" DIAMETER W/ BRAKE	3
9	HC0134	SUCTION PIPE	1	50	H02342	PILASTER, LONG	10
10	HC0129-1	EVAPORATOR PIPE	1	51	C3234860	PILASTER CLIP	12
11	C30012	CONDENSER DRAIN BOX	1	52	H03307	SHELF, CENTER (24.68" X 24.96")	1
12	H01342	PILASTER, SHORT (13.2")	2	53	H02308	SHELF, LEFT AND RIGHT (23.23" X 24.96")	2
13	NON STOCKING	CASTER SUPPORT CHANNEL	2	54	C02327	HINGE, TOP RIGHT	2
14	C02327RB	HINGE, LOWER RIGHT	1	55	C01327	HINGE, TOP LEFT	1
15	H03327	HINGE, CONDENSER COVER (LOWER)	1	56	H03328	HINGE, CONDENSER COVER (UPPER)	1
16	NON STOCKING	RIGHT GUIDE	1	58	H00327B	HINGE BUSHING	5
17	NON STOCKING	LEFT GUIDE	1	58	H00327	HINGE PIN W/NUT & BUSHING	5
18	H00317	CASTER, 4" DIAMETER WITHOUT BRAKE	3	59	H01318	GASKET (25 1/2" X 23 5/16")	3
19	NON STOCKING	CABINET	1	60	H00323S	DOOR (SS INTERIOR)	3
20	NON STOCKING	MAIN TOP BRACKET	2	61	H00328-2	HINGE CARTRIDGE, SELF CLOSING	1
21	H02314	REAR COMPARTMENT COVER	1	63	H00328-1	HINGE CARTRIDGE, SELF CLOSING	2
22	C2194684	POWER CORD, 14AWG/NEMA 5-15P	1	64	H00219-2	CONTROLLER, DIXELL (XR20CX-4R0F1)	1
23	NON STOCKING	FRONT MOUNTING BRACKET	1	66	H00386	CONDENSER COVER, FRONT	1
24	H01146	EVAPORATOR DRAIN PAN (23.2" X 4.75" X .6")	1	67	H04327	HINGE PIN, CONDENSER	2
25	NON STOCKING	AIR FLOW PANEL	1	68	NON STOCKING	THERMOSTAT PROTECTIVE BOX	1
26	NON STOCKING	MOUNTING BRACKET	1	68	HC300061	CONTROLLER PROTECTIVE COVER	1
27	H01346	EVAPORATOR COIL	1	69	H01248	CUTTING BOARD (94.0" x 18.5")	1
28	H03156S	EVAPORATOR COVER**	1**	70	HC00019S	MULLION, (LEFT SS INTERIOR - 90)	1
29	H01122	EVAPORATOR FAN GRILL, (D200), WHITE	1	71	HC00113	CENTER MULLION BRACKET	4
30	H03132	EVAPORATOR FAN SUPPORT	1	72	H02347	Pan Support	9
31	H00110	EVAPORATOR FAN MOTOR, (CA27-04/CA01 L-600RPM)	1	73	H02315	REAR WALL SPACER	2
31	H00121	EVAPORATOR FAN BLADE (V200)	1	74	H00215	TERMINAL BLOCK, 5 POLE	1
32	NON STOCKING	MOUNTING BRACKET	2	75	H03335	SENSOR FIXED CLIP	1
33	NON STOCKING	FAN COVER	1	76	H00260-2	TEMPERATURE SENSOR NTC TYPE (60")	1
34	H01123	EVAPORATOR FAN GRILL	1	76	H00232	TEMPERATURE SENSOR CONNECTOR	1
35	H00383	LID HINGE, RIGHT,	3	76	H00260-1	TEMPERATURE SENSOR NTC TYPE (60")	1
36	H02345	FRONT/BACK PAN SUPPORT RAIL (3 WIDE)	4	76	H00199	TEMPERATURE CONNECTOR	1
37	H02344	FRONT/BACK PAN SUPPORT RAIL (6 WIDE)	2	77	G30001	DRAIN PIPE FITTING (MALE)	1
38	H00376	HANDLE, LID	3	78	G30001F	DRAIN CONNECTOR (FEMALE)	1
39	H00375S	LID, PIZZA PREP (SS INTERIOR)	1	79	HC0396	DRAIN TUBING	1
39	NON STOCKING	LID, COVER FOAM	2	80	HC00028S	MULLION, RIGHT 94 (SS INTERIOR)	1
39	NON STOCKING	LID, COVER PANEL	2	81	C02327RB	HINGE, LOWER RIGHT	1
39	NON STOCKING	LID, COVER PANEL	2	81	H00327-2	HINGE PIN W/NUT & BUSHING	1
40	H01234	LID HING PIN	12	82	NON STOCKING	CONDENSER COIL, COVER	1



PARTS LIST

**FOR PIZZA PREP MODELS: P47-HC,
P47-SI-HC, P70-HC, P70-SI-HC, P94-HC,
P94-SI-HC**



For Parts please Call (704) 900-2068

Revision Date (CWL): February 25, 2025