



PARTS LIST

FOR BACK BAR BOTTLE COOLER MODELS:

BB-2D-60-HC, BB-2D-60-G-HC, BB-2D-70-HC,

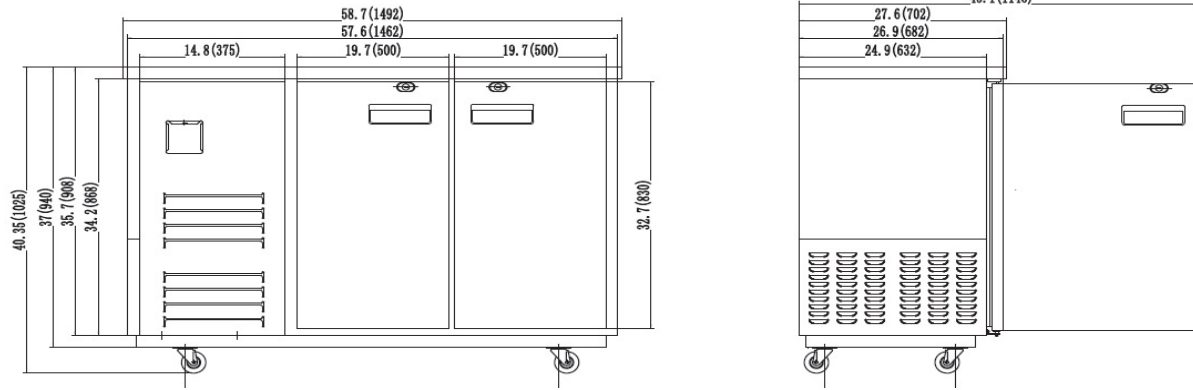
BB-2D-70-G-HC, BB-3D-90-HC, BB-3D-90-G-HC



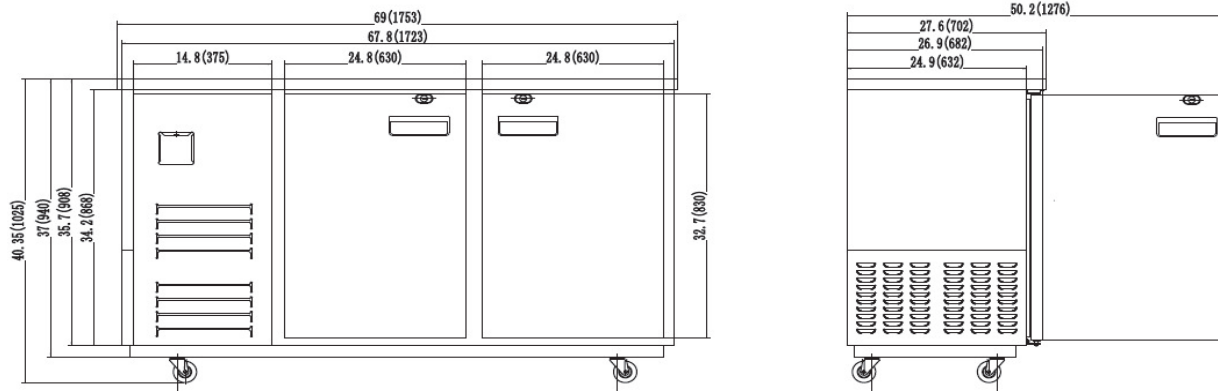
For Parts please Call (704) 900-2068

Revision Date: February 20, 2025

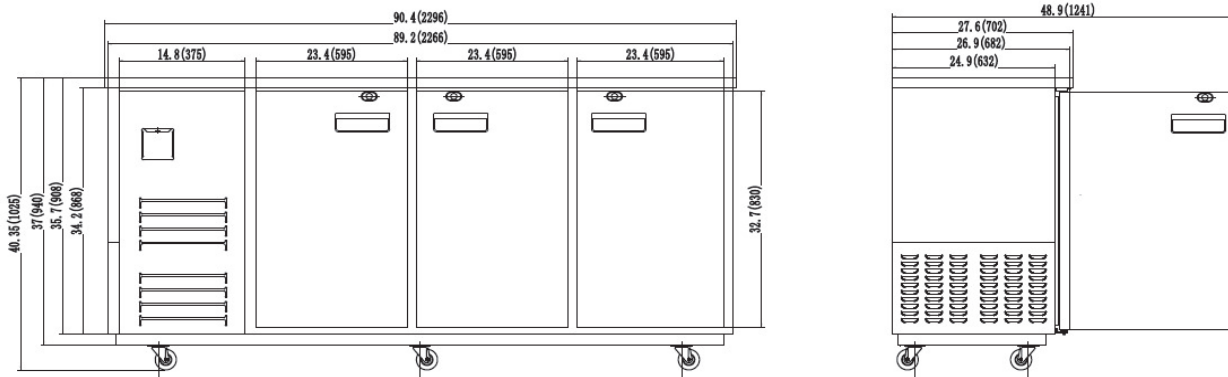
BB-2D-60-HC



BB-2D-70-HC



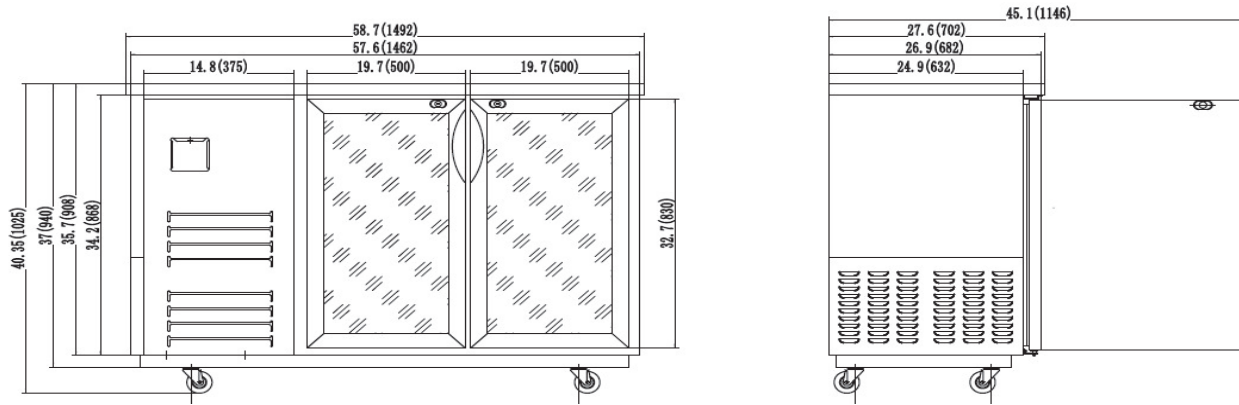
BB-3D-90-HC



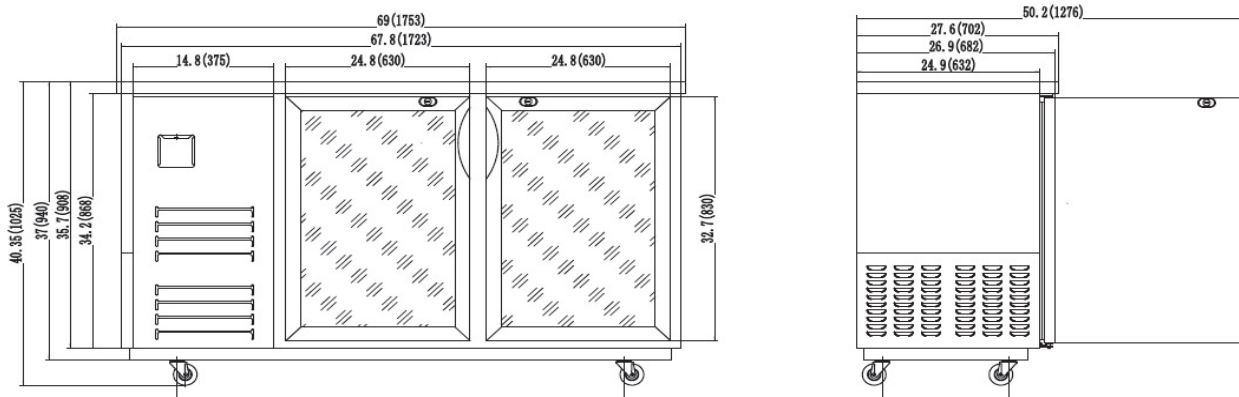
Model	# of Doors	Shelves	Cabinet Dim (in)			HP	Voltage /Hz /ph	Amp	NEMA Plug	Cord Lgth (ft)	Crated Weight (lbs)
			W	D	H						
BB-2D-60-SI-HC	2	4	58.7	27.6	40.35	3/8	115/60/1	3.0	5-15P	8.2	302
BB-2D-70-SI-HC	2	4	69	27.6	40.35	3/8	115/60/1	3.0	5-15P	8.2	355
BB-3D-90-SI-HC	3	6	90.4	27.6	40.35	1/2	115/60/1	3.0	5-15P	8.2	412

As continued product improvement is a policy of Entree, specifications are subject to change without notice.

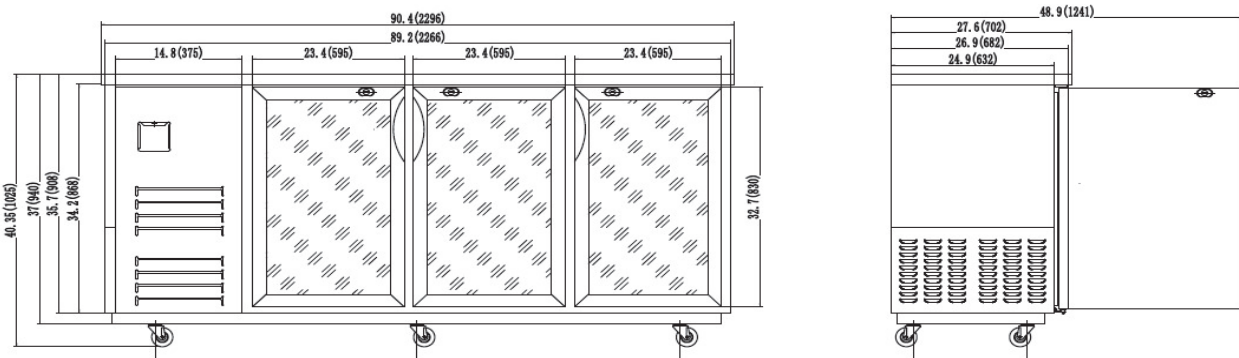
BB-2D-60-G-SI-HC



BB-2D-70-G-SI-HC



BB-3D-90-G-SI-HC

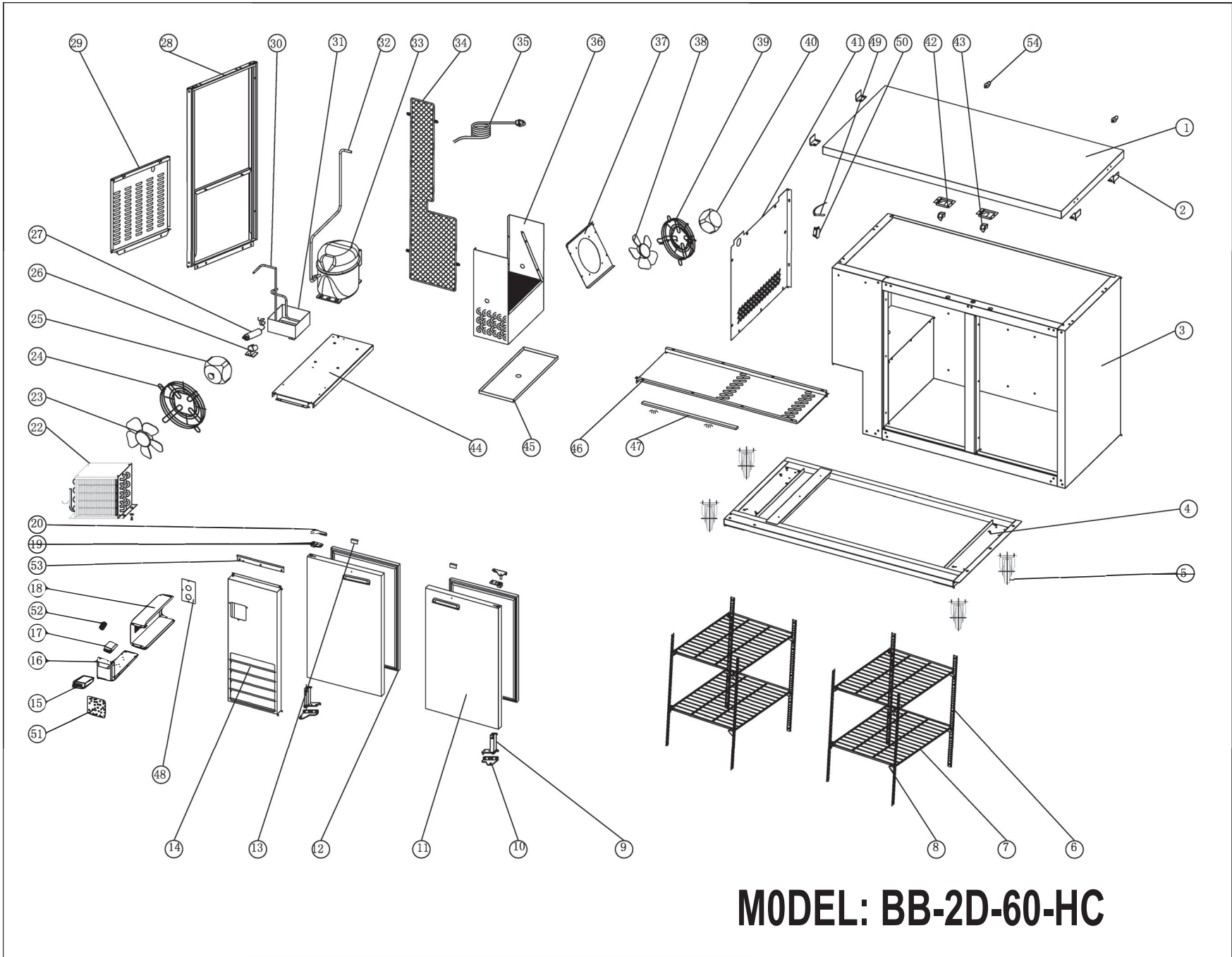


Model	# of Doors	Shelves	Cabinet Dim (in)			HP	Voltage /Hz /ph	Amp	NEMA Plug	Cord Lgth (ft)	Crated Weight (lbs)
			W	D	H						
BB-2D-60-G-SI-HC	2	4	58.7	27.6	40.35	3/8	115/60/1	3.0	5-15P	8.2	353
BB-2D-70-G-SI-HC	2	4	69	27.6	40.35	3/8	115/60/1	3.0	5-15P	8.2	395
BB-3D-90-G-SI-HC	3	6	90.4	27.6	40.35	1/2	115/60/1	3.0	5-15P	8.2	474

As continued product improvement is a policy of Entree, specifications are subject to change without notice.

SPECIFICATION

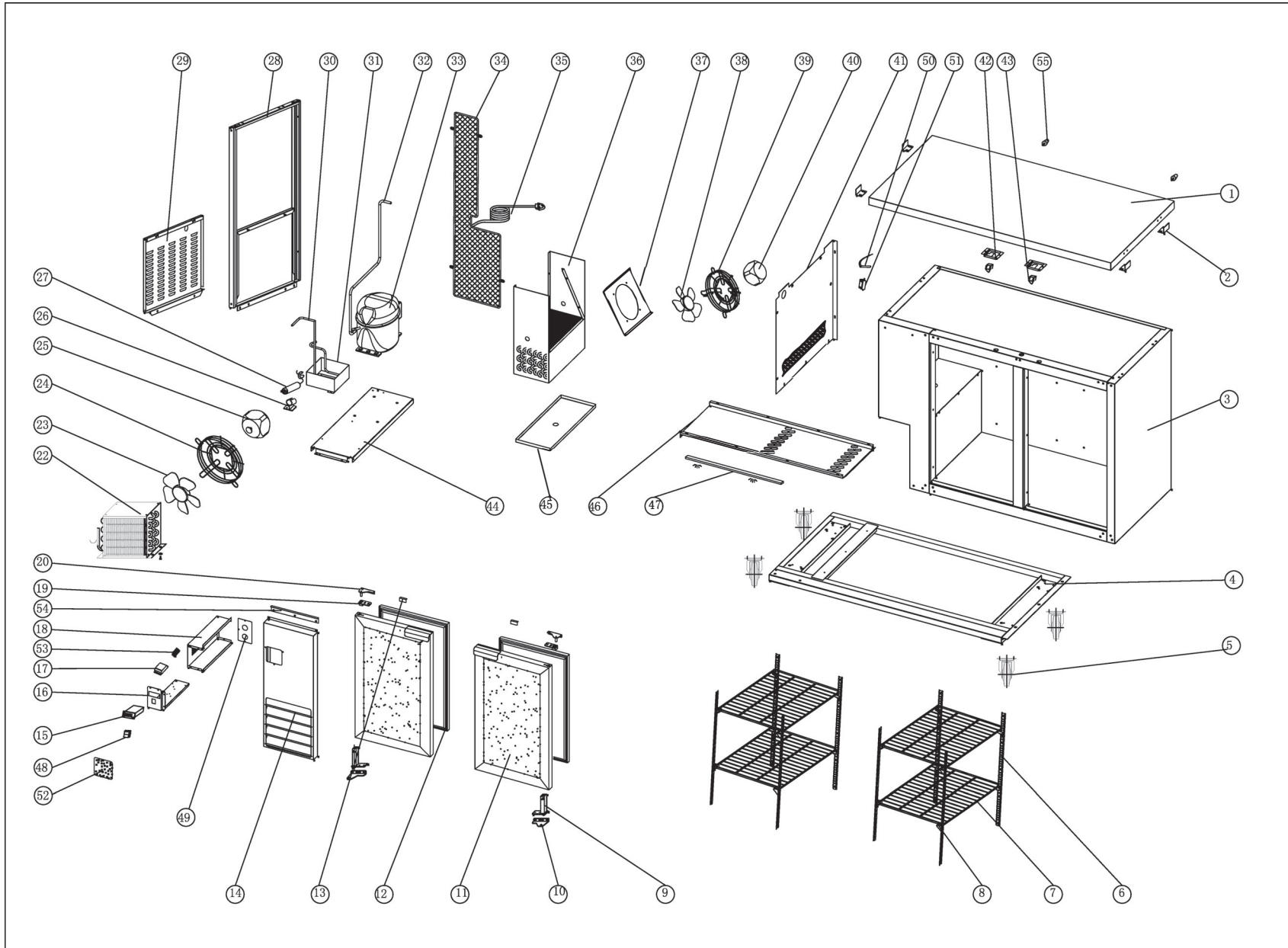
BACK BAR BOTTLE COOLER								
MODEL#	V/Hz/Ph	AMPS	STORAGE CAPACITY	HP	BTU	CHARGE OZ	SHIP WEIGHT LBS	NEMA PLUG
BB-2D-60-HC	115/60/1	3	13.8	3/8	3200	3.88	302	5-15P
BB-2D-70-HC	115/60/1	3	14.5	3/8	3200	3.88	355	5-15P
BB-3D-90-HC	115/60/1	3	25.3	1/2	5800	4.59	412	5-15P
BB-2D-60-G-HC	115/60/1	3	13.8	3/8	3200	3.88	353	5-15P
BB-2D-70-G-HC	115/60/1	3	14.5	3/8	3200	3.88	395	5-15P
BB-3D-90-G-HC	115/60/1	3	25.3	1/2	5800	4.59	474	5-15P



MODEL: BB-2D-60-HC

Parts List for Model: BB-2D-60-HC

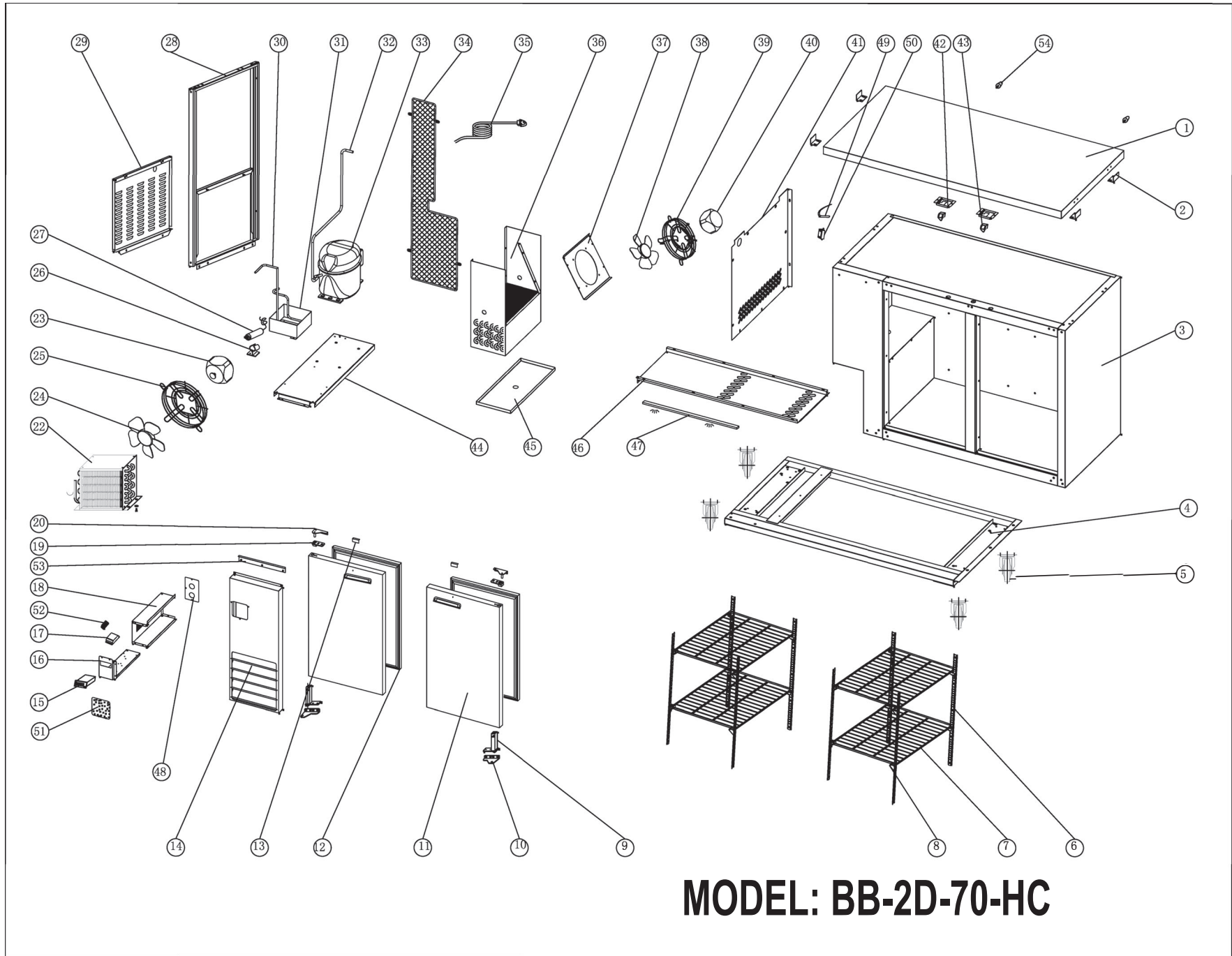
No.	PART #	DESCRIPTION	QTY	No.	PART #	DESCRIPTION	QTY
1	BC30111	MAIN TOP (NON-STOCKING PART)	1	28	BC30114	SIDE LOUVERED COVER	1
2	NON STOCKING	MAIN TOP MOUNTING BRACKET	4	28	BC30114-1	SIDE LOUVERED COVER	1
3	NON STOCKING	CABINET	1	29	NON STOCKING	CONDENSER BASE PANEL	1
4	NON STOCKING	CASTER SUPPORT CHANEL	1	30	BC00060	DISCHARGE PIPE	1
5	BD0217	CASTER REAR, 2.5" W/O BRAKE	2	31	C30012	CONDENSER DRAIN BOX	1
5	BD0216	CASTER FRONT, 2.5" W/ BRAKE	2	32	BC30107	SUCTION PIPE	1
6	H02342	PILASTER, LONG	8	33	H00038F	COMPRESSOR (NUG45LR) W/ FILTER DRYER	1
7	BC30856-1	SHELF, LEFT, BLACK (20.16" X 20.12")	2	33	HC0038K	START KIT FOR NUG45LR	1
7	BC30859-1	SHELF, RIGHT, BLACK (20.16 X 18.31")	2	33	H01302	CAPILLARY TUBE (.055" ID X 118.11" L)	1
8	C3234860	PILASTER Clip	16	34	NON STOCKING	CONDENSER PANEL, REAR	1
9	H00328-1	HINGE CARTRIDGE, SELF CLOSING	1	35	C2194684	POWER CORD, 14AWG/NEMA 5-15P	1
10	BD0323	HINGE, LOWER LEFT / RIGHT	2	36	BC02004	EVAPORATOR COIL	1
11	BC30101	DOOR, LEFT SOLID	1	37	NON STOCKING	EVAPORATOR FAN SUPPORT	1
11	BC130006	DOOR LOCK	1	38	H00121	EVAPORATOR FAN BLADE	1
11	BC30100	DOOR, RIGHT SOLID	1	39	H01122	EVAPORATOR FAN GUARD, WHITE (D200)	1
11	BC130006	DOOR LOCK	1	40	H00114-2	EVAPORATOR FAN MOTOR, ECM7108, L=600,120V (14W)	1
12	HC006S	GASKET, (31.34" X 18.35"), BLACK	2	41	BC02005	EVAPORATOR COVER	1
13	BC30106	DOOR LOCK CATCH (NON-STOCKING PART)	2	42	HC10001	DOOR SWITCH CASE	2
14	BC30867	CONDENSER, FRONT PANEL	1	43	C2194678	DOOR SWITCH 3 PIN BLACK (HC-050K4)	2
15	H00219-2	CONTROLLER, DIXELL (XR20CX-4R0F1)	1	44	NON STOCKING	CONDENSER SUPPORT PANEL	1
16	NON STOCKING	COVER BRACKET	1	45	BC30601	EVAPORATOR DRAIN PAN	1
17	H104070118	LED POWER SUPPLY (24VAC/6.7W) (TR-LD0606)	1	45	HC0397	DRAIN TUBING	1
18	NON STOCKING	COVER BOX	1	45	NON STOCKING	DRAIN PIPE SUPPORT	1
19	H00326-2	HINGE AXIS JACKET	2	46	NON STOCKING	CONDENSER BASE PANEL	1
20	BD0322	HINGE, UPPER LEFT (SOLID DOOR)	1	47	BD0042	LED LIGHT	1
20	BD0321	HINGE, UPPER RIGHT (SOLID DOOR)	1	48	NON STOCKING	COVER BRACKET	1
22	HC3348	CONDENSER COIL	1	49	HC0206	TEMPERATURE SENSOR NTC TYPE (60")	1
23	H00121	CONDENSER FAN BLADE	1	49	HC0205	TEMPERATURE SENSOR NTC TYPE (60")	1
24	HC0113	CONDENSER FAN GUARD	1	50	H03335	SENSOR FIXED CLIP	1
25	HC0110	CONDENSER FAN MOTOR, BC20G (YZF10-20-26)	1	51	BD0381	THERMOSTAT PROTECTIVE COVER	1
26	NON STOCKING	FILTER DRIER SUPPORT	1	52	HC110009	CABLE CONNECTOR	1
27	H00341	DRYER FILTER	1	53	NON STOCKING	FRONT PANEL BRACKET	1
				54	H02315	REAR WALL SPACER	2



MODEL: BB-2D-60-G-HC

Parts List for Model: BB-2D-60-G-HC

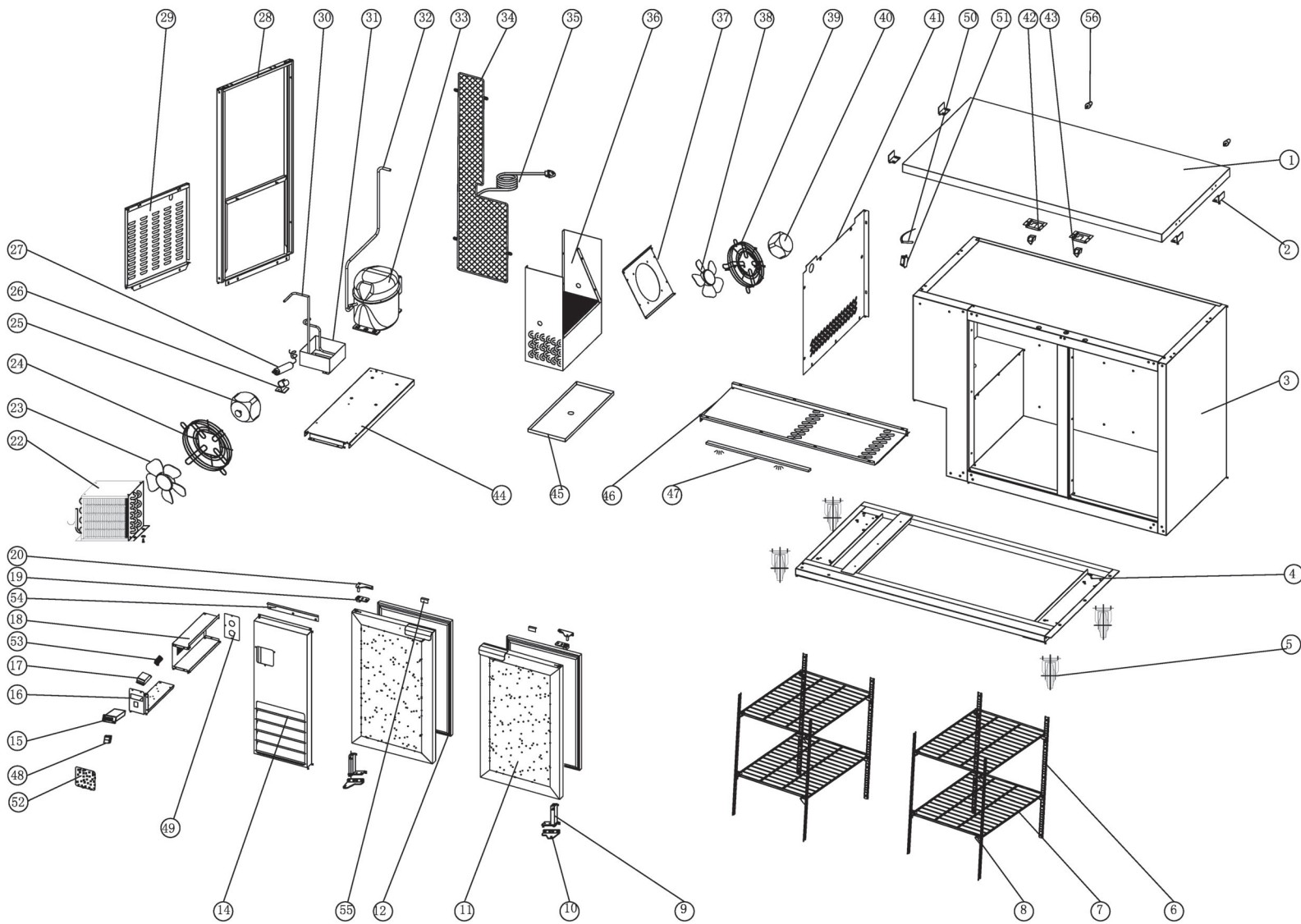
No.	PART #	DESCRIPTION	QTY	No.	PART #	DESCRIPTION	QTY
1	BC30112	MAIN TOP (NON-STOCKING PART)	1	28	BC30114	SIDE LOUVERED COVER	1
2	NON STOCKING	MAIN TOP MOUNTING BRACKET	4	28	BC30114-1	SIDE LOUVERED COVER	1
3	NON STOCKING	CABINET	1	29	NON STOCKING	CONDENSER BASE PANEL	1
4	NON STOCKING	CASTER SUPPORT CHANEL	1	30	BC00061	DISCHARGE PIPE	1
5	BD0217	CASTER REAR, 2.5" W/O BRAKE	2	31	C30012	CONDENSER DRAIN BOX	1
5	BD0216	CASTER FRONT, 2.5" W/ BRAKE	2	32	BC30107	SUCTION PIPE	1
6	H02342	PILASTER, LONG	8	33	H00038F	COMPRESSOR (NUG45LR) W/ FILTER DRYER	1
7	BC30856-1	SHELF, LEFT, BLACK (20.16" X 20.12")	2	33	HC0038K	START KIT FOR NUG45LR	1
7	BC30859-1	SHELF, RIGHT, BLACK (20.16 X 18.31")	2	33	H01302	CAPILLARY TUBE (.055" ID X 118.11" L)	1
8	C3234860	PILASTER Clip	16	34	NON STOCKING	CONDENSER PANEL, REAR	1
9	HC0328	HINGE CARTRIDGE, SELF CLOSING	1	35	C2194684	POWER CORD, 14AWG/NEMA 5-15P	1
10	BC20019	HINGE, LOWER LEFT / RIGHT	2	36	BC02004	EVAPORATOR COIL	1
11	BC30000	DOOR LEFT, GLASS	1	37	NON STOCKING	EVAPORATOR FAN SUPPORT	1
11	H107140020	DOOR HANDLE (GLASS)	1	38	H00121	EVAPORATOR FAN BLADE	1
11	BC130006	DOOR LOCK	1	39	H01122	EVAPORATOR FAN GUARD, WHITE (D200)	1
11	BC30010	DOOR RIGHT, GLASS	1	40	H00114-2	EVAPORATOR FAN MOTOR, ECM7108, L=600,120V (14W)	1
11	H107140020	DOOR HANDLE (GLASS)	1	41	BC02005	EVAPORATOR COVER	1
12	BC130006	DOOR LOCK	1	42	HC10001	DOOR SWITCH CASE	2
12	HC006G	GASKET, (31.58" X 18.58"), BLACK	2	43	HC10015	DOOR SWITCH	2
13	BC30106	DOOR LOCK CATCH (NON-STOCKING PART)	2	44	NON STOCKING	CONDENSER SUPPORT PANEL	1
14	BC30867	CONDENSER, FRONT PANEL	1	45	BC30601	EVAPORATOR DRAIN PAN	1
15	H00219-2	CONTROLLER, DIXELL (XR20CX-4R0F1)	1	45	HC0397	DRAIN TUBING	1
16	NON STOCKING	THERMOSTAT COVER BRACKET	1	45	NON STOCKING	DRAIN PIPE SUPPORT	1
17	H104070118	LED POWER SUPPLY (24VAC/6.7W) (TR-LD0606)	1	46	NON STOCKING	CONDENSER BASE PANEL	1
18	NON STOCKING	COVER BOX	1	47	BD0042	LED LIGHT	1
19	H00326-2	HINGE AXIS JACKET	2	48	C2194692	LIGHT SWITCH	1
20	BD0322-G	HINGE, UPPER LEFT (GLASS DOOR)	1	49	NON STOCKING	COVER BRACKET	1
20	BD0321-G	HINGE, UPPER RIGHT (GLASS DOOR)	1	50	HC0206	TEMPERATURE SENSOR NTC TYPE (60")	1
22	BHC060	CONDENSER COIL	1	50	HC0205	TEMPERATURE SENSOR NTC TYPE (60")	1
23	H00121	CONDENSER FAN BLADE	1	51	H03335	SENSOR FIXED CLIP	1
24	HC0113	CONDENSER FAN GUARD	1	52	BD0381	THERMOSTAT PROTECTIVE COVER	1
25	H00125	CONDENSER FAN MOTOR, BD03-04/CO6 (5W)	1	53	HC110009	CABLE CONNECTOR	1
26	NON STOCKING	FILTER DRIER SUPPORT	1	54	NON STOCKING	FRONT PANEL BRACKET	1
27	H00341	DRYER FILTER	1	55	H02315	REAR WALL SPACER	2



MODEL: BB-2D-70-HC

Parts List for Model: BB-2D-70-HC

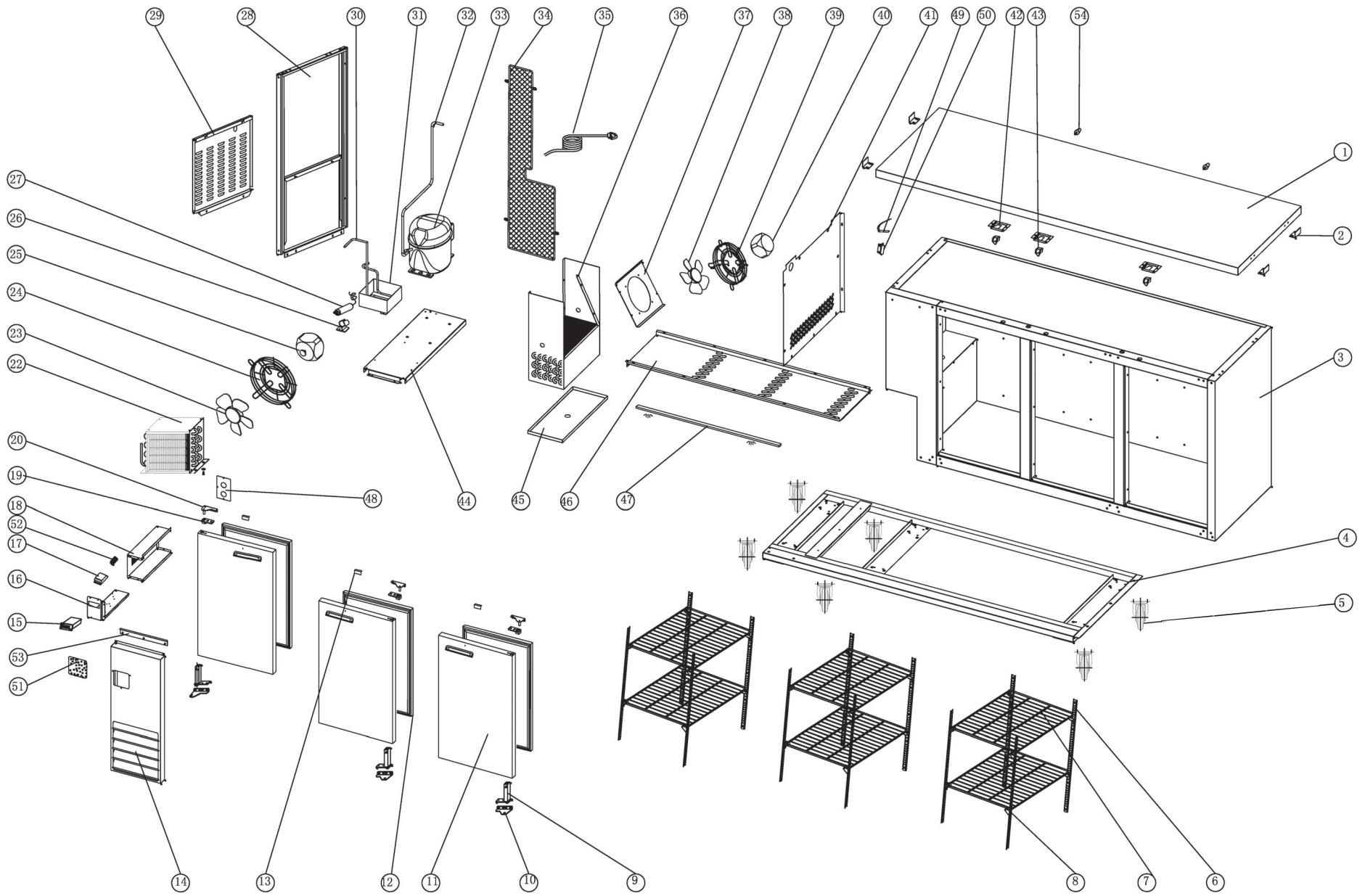
No.	PART #	DESCRIPTION	QTY	No.	PART #	DESCRIPTION	QTY
1	BC30109	MAIN TOP (NON-STOCKING PART)	1	28	BC30114	SIDE LOUVERED COVER	1
2	NON STOCKING	MAIN TOP MOUNTING BRACKET	4	28	BC30114-1	SIDE LOUVERED COVER	1
3	NON STOCKING	CABINET	1	29	NON STOCKING	CONDENSER BASE PANEL	1
4	NON STOCKING	CASTER SUPPORT CHANEL	1	30	BC00060	DISCHARGE PIPE	1
5	BD0217	CASTER REAR, 2.5" W/O BRAKE	2	31	C30012	CONDENSER DRAIN BOX	1
5	BD0216	CASTER FRONT, 2.5" W/ BRAKE	2	32	BC30107	SUCTION PIPE	1
6	H02342	PILASTER, LONG	8	33	H00038F	COMPRESSOR (NUG45LR) W/ FILTER DRYER	1
7	BC30857-1	SHELF, LEFT, BLACK (25.32" X 20.12")	2	33	HC0038K	START KIT FOR NUG45LR	1
7	BC30860-1	SHELF, RIGHT, BLACK (23.46" X 20.12")	2	33	H01302	CAPILLARY TUBE (.055" ID X 118.11" L)	1
8	C3234860	PILASTER Clip	16	34	NON STOCKING	CONDENSER PANEL, REAR	1
9	H00328-1	HINGE CARTRIDGE, SELF CLOSING	1	35	C2194684	POWER CORD, 14AWG/NEMA 5-15P	1
10	BD0323	HINGE, LOWER LEFT / RIGHT	2	36	BC02004	EVAPORATOR COIL	1
11	BC30104	DOOR, LEFT SOLID	1	37	NON STOCKING	EVAPORATOR FAN SUPPORT	1
11	BC130006	DOOR LOCK	1	38	H00121	EVAPORATOR FAN BLADE	1
11	BC30105	DOOR, RIGHT SOLID	1	39	H01122	EVAPORATOR FAN GUARD, WHITE (D200)	1
11	BC130006	DOOR LOCK	1	40	H00114-2	EVAPORATOR FAN MOTOR, ECM7108, L=600,120V (14W)	1
12	HC007S	GASKET, (31.34" X 23.47"), BLACK	2	41	BC02005	EVAPORATOR COVER	1
13	BC30106	DOOR LOCK CATCH (NON-STOCKING PART)	2	42	HC10001	DOOR SWITCH CASE	2
14	BC30867	CONDENSER, FRONT PANEL	1	43	C2194678	DOOR SWITCH 3 PIN BLACK (HC-050K4)	2
15	H00219-2	CONTROLLER, DIXELL (XR20CX-4R0F1)	1	44	NON STOCKING	CONDENSER SUPPORT PANEL	1
16	NON STOCKING	COVER BRACKET	1	45	BC30601	EVAPORATOR DRAIN PAN	1
17	H104070118	LED POWER SUPPLY (24VAC/6.7W) (TR-LD0606)	1	45	HC0397	DRAIN TUBING	1
18	NON STOCKING	COVER BOX	1	45	NON STOCKING	DRAIN PIPE SUPPORT	1
19	H00326-2	HINGE AXIS JACKET	2	46	NON STOCKING	CONDENSER BASE PANEL	1
20	BD0322	HINGE, UPPER LEFT (SOLID DOOR)	1	47	BC-2.11	LED LIGHT	1
20	BD0321	HINGE, UPPER RIGHT (SOLID DOOR)	1	48	NON STOCKING	COVER BRACKET	1
22	HC3348	CONDENSER COIL	1	49	HC0206	TEMPERATURE SENSOR NTC TYPE (60")	1
23	HC0110	CONDENSER FAN MOTOR, BC20G (YZF10-20-26)	1	49	HC0205	TEMPERATURE SENSOR NTC TYPE (60")	1
24	H00121	CONDENSER FAN BLADE	1	50	H03335	SENSOR FIXED CLIP	1
25	HC0113	CONDENSER FAN GUARD	1	51	BD0381	THERMOSTAT PROTECTIVE COVER	1
26	NON STOCKING	FILTER DRIER SUPPORT	1	52	HC110009	CABLE CONNECTOR	1
27	H00341	DRYER FILTER	1	53	NON STOCKING	FRONT PANEL BRACKET	1
				54	H02315	REAR WALL SPACER	2



MODEL: BB-2D-70-G-HC

Parts List for Model: BB-2D-70-G-HC

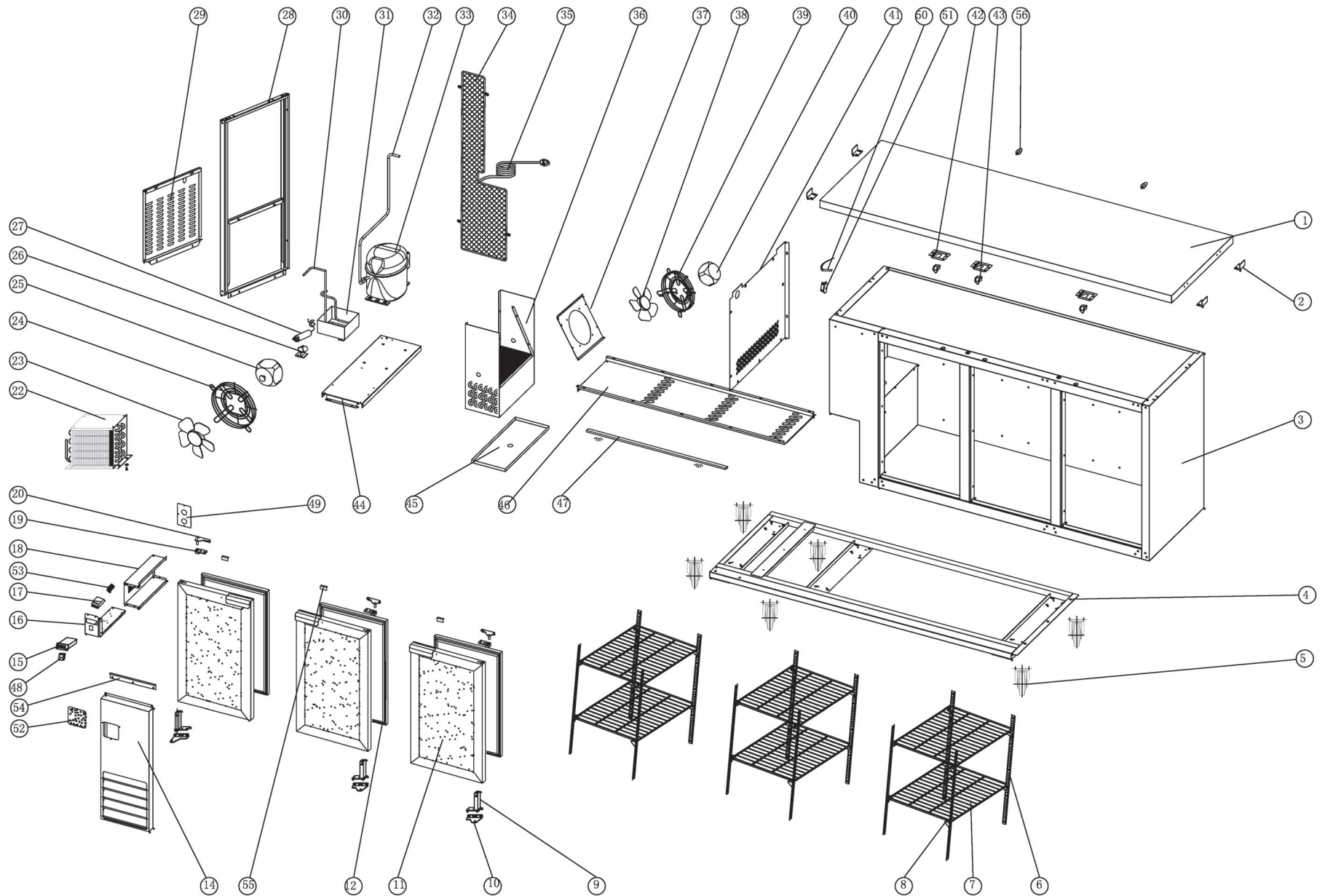
No.	PART #	DESCRIPTION	QTY	No.	PART #	DESCRIPTION	QTY
1	BC30110	MAIN TOP (NON-STOCKING PART)	1	29	NON STOCKING	CONDENSER BASE PANEL	1
2	NON STOCKING	MAIN TOP MOUNTING BRACKET	4	30	BC00061	DISCHARGE PIPE	1
3	NON STOCKING	CABINET	1	31	C30012	CONDENSER DRAIN BOX	1
4	NON STOCKING	CASTER SUPPORT CHANEL	1	32	BC30107	SUCTION PIPE	1
5	BD0217	CASTER REAR, 2.5" W/O BRAKE	2	33	H00038F	COMPRESSOR (NUG45LR) W/ FILTER DRYER	1
5	BD0216	CASTER FRONT, 2.5" W/ BRAKE	2	33	HC0038K	START KIT FOR NUG45LR	1
6	H02342	PILASTER, LONG	8	33	H01302	CAPILLARY TUBE (.055" ID X 118.11" L)	1
7	BC30857-1	SHELF, LEFT, BLACK (25.32" X 20.12")	2	34	NON STOCKING	CONDENSER PANEL, REAR	1
7	BC30860-1	SHELF, RIGHT, BLACK (23.46" X 20.12")	2	35	C2194684	POWER CORD, 14AWG/NEMA 5-15P	1
8	C3234860	PILASTER Clip	16	36	BC02004	EVAPORATOR COIL	1
9	HC0328	HINGE CARTRIDGE, SELF CLOSING	1	37	NON STOCKING	EVAPORATOR FAN SUPPORT	1
10	BC20019	HINGE, LOWER LEFT / RIGHT	2	38	H00121	EVAPORATOR FAN BLADE	1
11	BC30001	DOOR LEFT, GLASS	1	39	H01122	EVAPORATOR FAN GUARD, WHITE (D200)	1
11	H107140020	DOOR HANDLE (GLASS)	1	40	H00114-2	EVAPORATOR FAN MOTOR, ECM7108, L=600, 120V (14W)	1
11	BC130006	DOOR LOCK	1	41	BC02005	EVAPORATOR COVER	1
11	BC30011	DOOR RIGHT, GLASS	1	42	HC10001	DOOR SWITCH CASE	2
11	H107140020	DOOR HANDLE (GLASS)	1	43	HC10015	DOOR SWITCH	2
12	BC130006	DOOR LOCK	1	44	NON STOCKING	CONDENSER SUPPORT PANEL	1
12	HC007G	GASKET, (31.58" X 23.70"), BLACK	2	45	BC30601	EVAPORATOR DRAIN PAN	1
14	BC30867	CONDENSER, FRONT PANEL	1	45	HC0397	DRAIN TUBING	1
15	H00219-2	CONTROLLER, DIXELL (XR20CX-4R0F1)	1	45	NON STOCKING	DRAIN PIPE SUPPORT	1
16	NON STOCKING	THERMOSTAT COVER BRACKET	1	46	NON STOCKING	CONDENSER BASE PANEL	1
17	H104070118	LED POWER SUPPLY (24VAC/6.7W) (TR-LD0606)	1	47	BC-2.11	LED LIGHT	1
18	NON STOCKING	COVER BOX	1	48	C2194692	LIGHT SWITCH	1
19	H00326-2	HINGE AXIS JACKET	2	49	NON STOCKING	COVER BRACKET	1
20	BD0322-G	HINGE, UPPER LEFT (GLASS DOOR)	1	50	HC0206	TEMPERATURE SENSOR NTC TYPE (60")	1
20	BD0321-G	HINGE, UPPER RIGHT (GLASS DOOR)	1	50	HC0205	TEMPERATURE SENSOR NTC TYPE (60")	1
22	BHC060	CONDENSER COIL	1	51	H03335	SENSOR FIXED CLIP	1
23	H00125	CONDENSER FAN MOTOR, BD03-04/CO6 (5W)	1	52	BD0381	THERMOSTAT PROTECTIVE COVER	1
24	H00121	CONDENSER FAN BLADE	1	53	HC110009	CABLE CONNECTOR	1
25	HC0113	CONDENSER FAN GUARD	1	54	NON STOCKING	FRONT PANEL BRACKET	1
26	NON STOCKING	FILTER DRIER SUPPORT	1	55	BC30106	DOOR LOCK CATCH (NON-STOCKING PART)	2
27	H00341	DRYER FILTER	1	56	H02315	REAR WALL SPACER	2
28	BC30114	SIDE LOUVERED COVER	1				
28	BC30114-1	SIDE LOUVERED COVER	1				



MODEL: BB-3D-90-HC

Parts List for Model: BB-3D-90-HC

No.	PART #	DESCRIPTION	QTY	No.	PART #	DESCRIPTION	QTY
1	BC30108	MAIN TOP (NON-STOCKING PART)	1	28	BC30114	SIDE LOUVERED COVER	1
2	NON STOCKING	MAIN TOP MOUNTING BRACKET	4	28	BC30114-1	SIDE LOUVERED COVER	1
3	NON STOCKING	CABINET	1	29	NON STOCKING	CONDENSER BASE PANEL	1
4	NON STOCKING	CASTER SUPPORT CHANEL	1	30	BC00060	DISCHARGE PIPE	1
5	BD0216	CASTER FRONT, 2.5" W/ BRAKE	3	31	C30012	CONDENSER DRAIN BOX	1
5	BD0217	CASTER REAR, 2.5" W/O BRAKE	3	32	BC30107	SUCTION PIPE	1
6	H02342	PILASTER, LONG	12	33	H00038F	COMPRESSOR (NUG45LR) W/ FILTER DRYER	1
7	BC30858-1	SHELF, LEFT/MIDDLE, BLACK (23.82" X 20.12")	4	33	HC0038K	START KIT FOR NUG45LR	1
7	BC30861-1	SHELF, RIGHT, BLACK (21.97" X 20.12")	2	33	H01302	CAPILLARY TUBE (.055" ID X 118.11" L)	1
8	C3234860	PILASTER Clip	24	34	NON STOCKING	CONDENSER PANEL, REAR	1
9	H00328-1	HINGE CARTRIDGE, SELF CLOSING	2	35	C2194684	POWER CORD, 14AWG/NEMA 5-15P	1
10	BD0323	HINGE, LOWER LEFT / RIGHT	3	36	BC02004	EVAPORATOR COIL	1
11	BC30102	DOOR, LEFT SOLID	1	37	NON STOCKING	EVAPORATOR FAN SUPPORT	1
11	BC130006	DOOR LOCK	1	38	H00121	EVAPORATOR FAN BLADE	1
11	BC30103	DOOR, RIGHT SOLID	2	39	H01122	EVAPORATOR FAN GUARD, WHITE (D200)	1
11	BC130006	DOOR LOCK	2	40	H00114-2	EVAPORATOR FAN MOTOR, ECM7108, L=600,120V (14W)	1
12	HC009S	GASKET, (31.34" X 22.09"), BLACK	3	41	BC02005	EVAPORATOR COVER	1
13	BC30106	DOOR LOCK CATCH (NON-STOCKING PART)	3	42	HC10001	DOOR SWITCH CASE	3
14	BC30867	CONDENSER, FRONT PANEL	1	43	C2194678	DOOR SWITCH 3 PIN BLACK (HC-050K4)	3
15	H00219-2	CONTROLLER, DIXELL (XR20CX-4R0F1)	1	44	NON STOCKING	CONDENSER SUPPORT PANEL	1
16	NON STOCKING	COVER BRACKET	1	45	BC30601	EVAPORATOR DRAIN PAN	1
17	H104070118	LED POWER SUPPLY (24VAC/6.7W) (TR-LD0606)	1	45	HC0397	DRAIN TUBING	1
18	NON STOCKING	COVER BOX	1	45	NON STOCKING	DRAIN PIPE SUPPORT	1
19	H00326-2	HINGE AXIS JACKET	3	46	NON STOCKING	CONDENSER BASE PANEL	1
20	BD0322	HINGE, UPPER LEFT (SOLID DOOR)	1	47	BD0242	LED LIGHT	1
20	BD0321	HINGE, UPPER RIGHT (SOLID DOOR)	2	48	NON STOCKING	COVER BRACKET	1
22	HC3348	CONDENSER COIL	1	49	HC0206	TEMPERATURE SENSOR NTC TYPE (60")	1
23	H00121	CONDENSER FAN BLADE	1	49	HC0205	TEMPERATURE SENSOR NTC TYPE (60")	1
24	HC0111-1	CONDENSER FAN GUARD	1	50	H03335	SENSOR FIXED CLIP	1
25	HC0110	CONDENSER FAN MOTOR, BC20G (YZF10-20-26)	1	51	BD0381	THERMOSTAT PROTECTIVE COVER	1
26	NON STOCKING	FILTER DRIER SUPPORT	1	52	HC110009	CABLE CONNECTOR	1
27	H00341	DRYER FILTER	1	53	NON STOCKING	FRONT PANEL BRACKET	1
				54	H02315	REAR WALL SPACER	2



MODEL: BB-3D-90-G-HC

Parts List for Model: BB-3D-90-G-HC

No.	PART #	DESCRIPTION	QTY	No.	PART #	DESCRIPTION	QTY
1	BC30113	MAIN TOP (NON-STOCKING PART)	1	29	NON STOCKING	CONDENSER BASE PANEL	1
2	NON STOCKING	MAIN TOP MOUNTING BRACKET	4	30	BC00061	DISCHARGE PIPE	1
3	NON STOCKING	CABINET	1	31	C30012	CONDENSER DRAIN BOX	1
4	NON STOCKING	CASTER SUPPORT CHANEL	1	32	BC30107	SUCTION PIPE	1
5	BD0216	CASTER FRONT, 2.5" W/ BRAKE	3	33	H00038F	COMPRESSOR (NUG45LR) W/ FILTER DRYER	1
5	BD0217	CASTER REAR, 2.5" W/O BRAKE	3	33	HC0038K	START KIT FOR NUG45LR	1
6	H02342	PILASTER, LONG	12	33	H01302	CAPILLARY TUBE (.055" ID X 118.11" L)	1
7	BC30858-1	SHELF, LEFT/MIDDLE, BLACK (23.82" X 20.12")	4	34	NON STOCKING	CONDENSER PANEL, REAR	1
7	BC30861-1	SHELF, RIGHT, BLACK (21.97" X 20.12")	2	35	C2194684	POWER CORD, 14AWG/NEMA 5-15P	1
8	C3234860	PILASTER Clip	24	36	BC02004	EVAPORATOR COIL	1
9	HC0328	HINGE CARTRIDGE, SELF CLOSING	2	37	NON STOCKING	EVAPORATOR FAN SUPPORT	1
10	BC20019	HINGE, LOWER LEFT / RIGHT	3	38	H00121	EVAPORATOR FAN BLADE	1
11	BC30002	DOOR LEFT, GLASS	1	39	H01122	EVAPORATOR FAN GUARD, WHITE (D200)	1
11	H107140020	DOOR HANDLE (GLASS)	1	40	H00114-2	EVAPORATOR FAN MOTOR, ECM7108, L=600, 120V (14W)	1
11	BC130006	DOOR LOCK	1	41	BC02005	EVAPORATOR COVER	1
11	BC30012A	DOOR RIGHT, GLASS	2	42	HC10001	DOOR SWITCH CASE	3
11	H107140020	DOOR HANDLE (GLASS)	2	43	HC10015	DOOR SWITCH	3
12	BC130006	DOOR LOCK	2	44	NON STOCKING	CONDENSER SUPPORT PANEL	1
12	HC009G	GASKET, (31.59" X 22.32"), BLACK	3	45	BC30601	EVAPORATOR DRAIN PAN	1
14	BC30867	CONDENSER, FRONT PANEL	1	45	HC0397	DRAIN TUBING	1
15	H00219-2	CONTROLLER, DIXELL (XR20CX-4R0F1)	1	45	NON STOCKING	DRAIN PIPE SUPPORT	1
16	NON STOCKING	THERMOSTAT COVER BRACKET	1	46	NON STOCKING	CONDENSER BASE PANEL	1
17	H104070118	LED POWER SUPPLY (24VAC/6.7W) (TR-LD0606)	1	47	BD0242	LED LIGHT	1
18	NON STOCKING	COVER BOX	1	48	C2194692	LIGHT SWITCH	1
19	H00326-2	HINGE AXIS JACKET	3	49	NON STOCKING	COVER BRACKET	1
20	BD0322-G	HINGE, UPPER LEFT (GLASS DOOR)	1	50	HC0206	TEMPERATURE SENSOR NTC TYPE (60")	1
20	BD0321-G	HINGE, UPPER RIGHT (GLASS DOOR)	2	50	HC0205	TEMPERATURE SENSOR NTC TYPE (60")	1
22	BHC060	CONDENSER COIL	1	51	H03335	SENSOR FIXED CLIP	1
23	H00121	CONDENSER FAN BLADE	1	52	BD0381	THERMOSTAT PROTECTIVE COVER	1
24	HC0113	CONDENSER FAN GUARD	1	53	HC110009	CABLE CONNECTOR	1
25	H00125	CONDENSER FAN MOTOR, BD03-04/CO6 (5W)	1	54	NON STOCKING	FRONT PANEL BRACKET	1
26	NON STOCKING	FILTER DRIER SUPPORT	1	55	BC30106	DOOR LOCK CATCH (NON-STOCKING PART)	3
27	H00341	DRYER FILTER	1	56	H02315	REAR WALL SPACER	2
28	BC30114	SIDE LOUVERED COVER	1				
28	BC30114-1	SIDE LOUVERED COVER	1				



PARTS LIST

FOR BACK BAR BOTTLE COOLER MODELS:

BB-2D-60-HC, BB-2D-60-G-HC, BB-2D-70-HC,

BB-2D-70-G-HC, BB-3D-90-HC, BB-3D-90-G-HC



For Parts please Call (704) 900-2068

Revision Date (CWL): February 20, 2025