



PARTS LIST

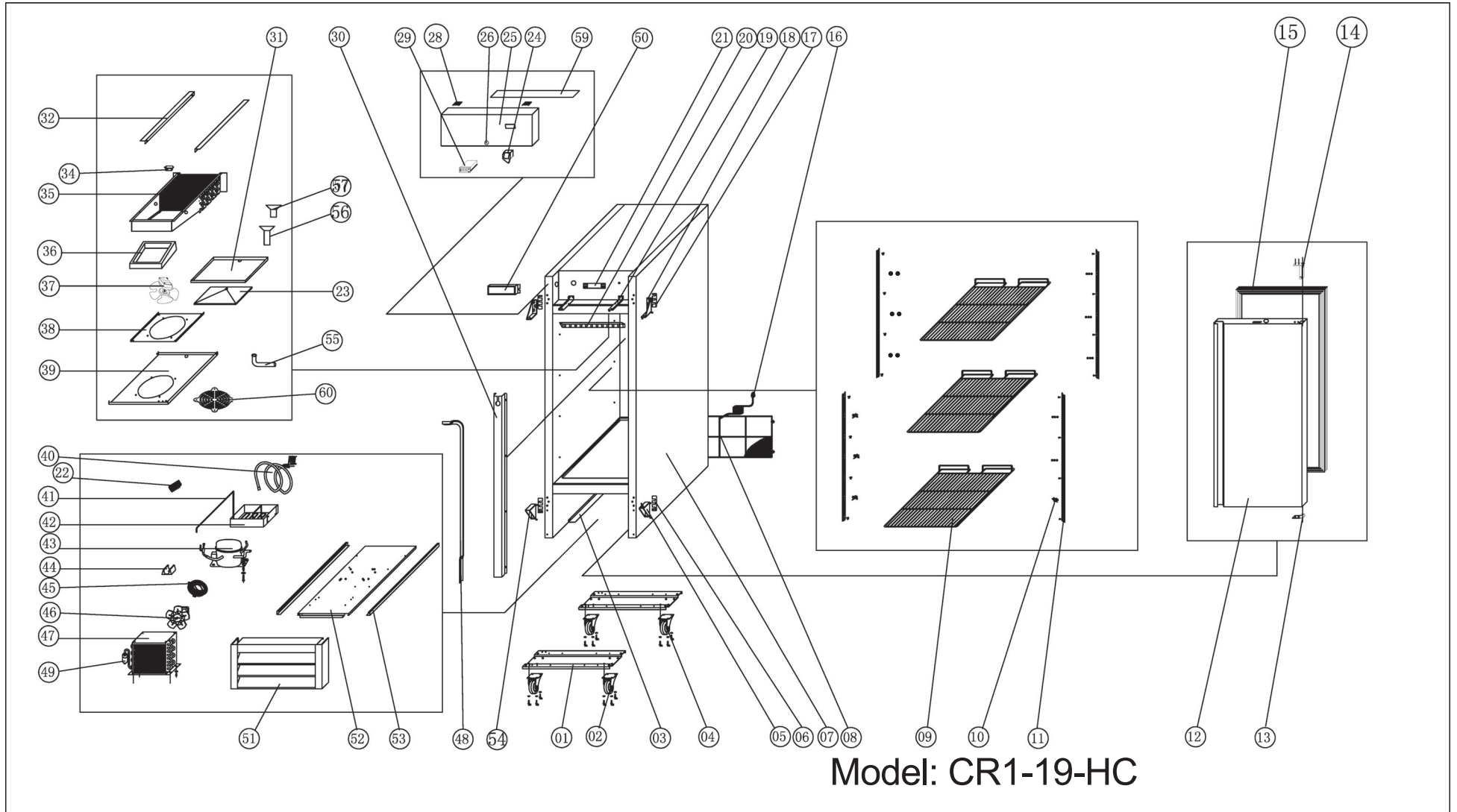
FOR REACH-IN MODELS:

CR1-19-HC, CF1-19-HC, CR2-35-HC, & CF2-35-HC



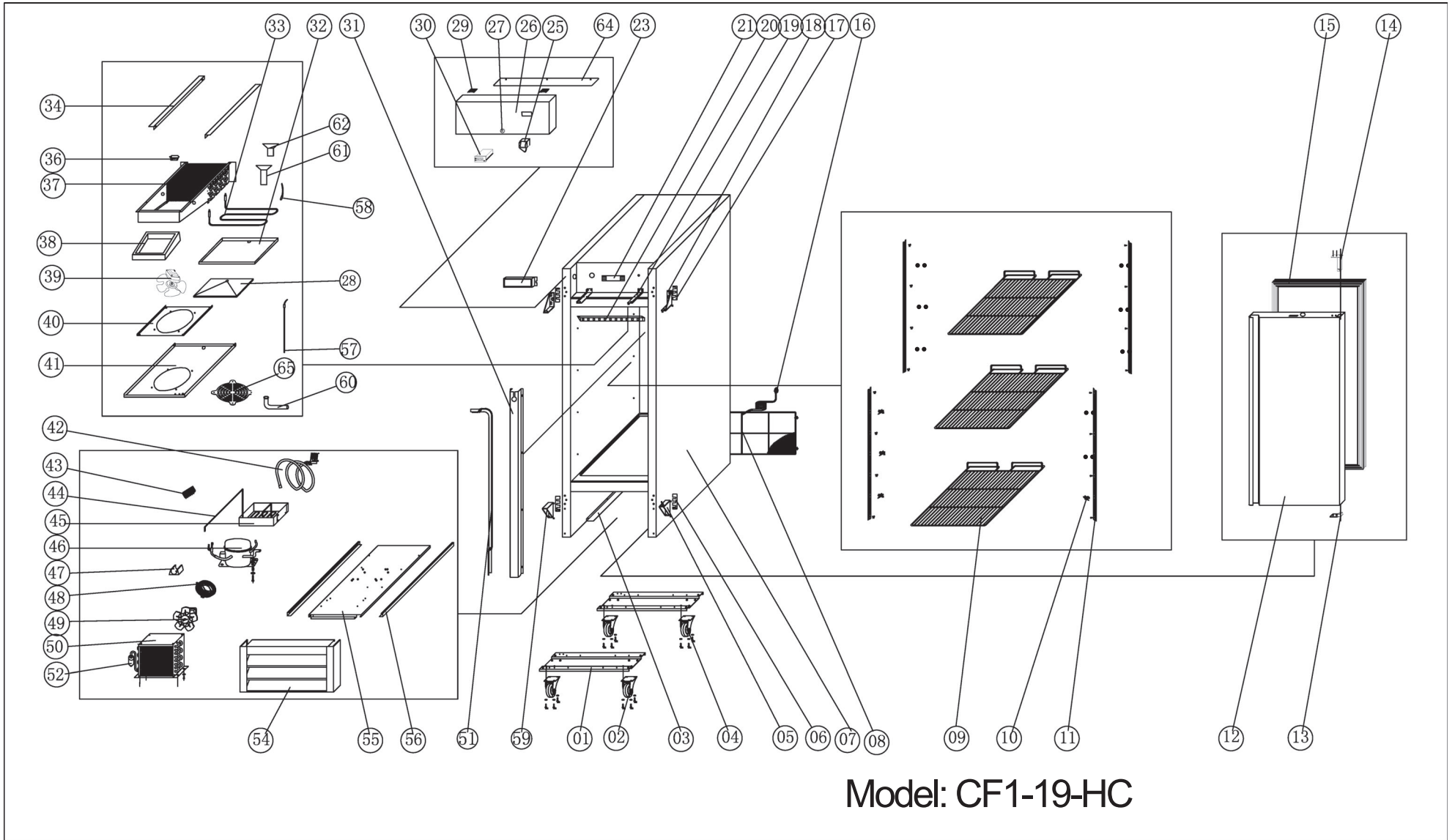
For Parts Call (704) 900-2068, Option #2

Revision Date: January 9, 2025



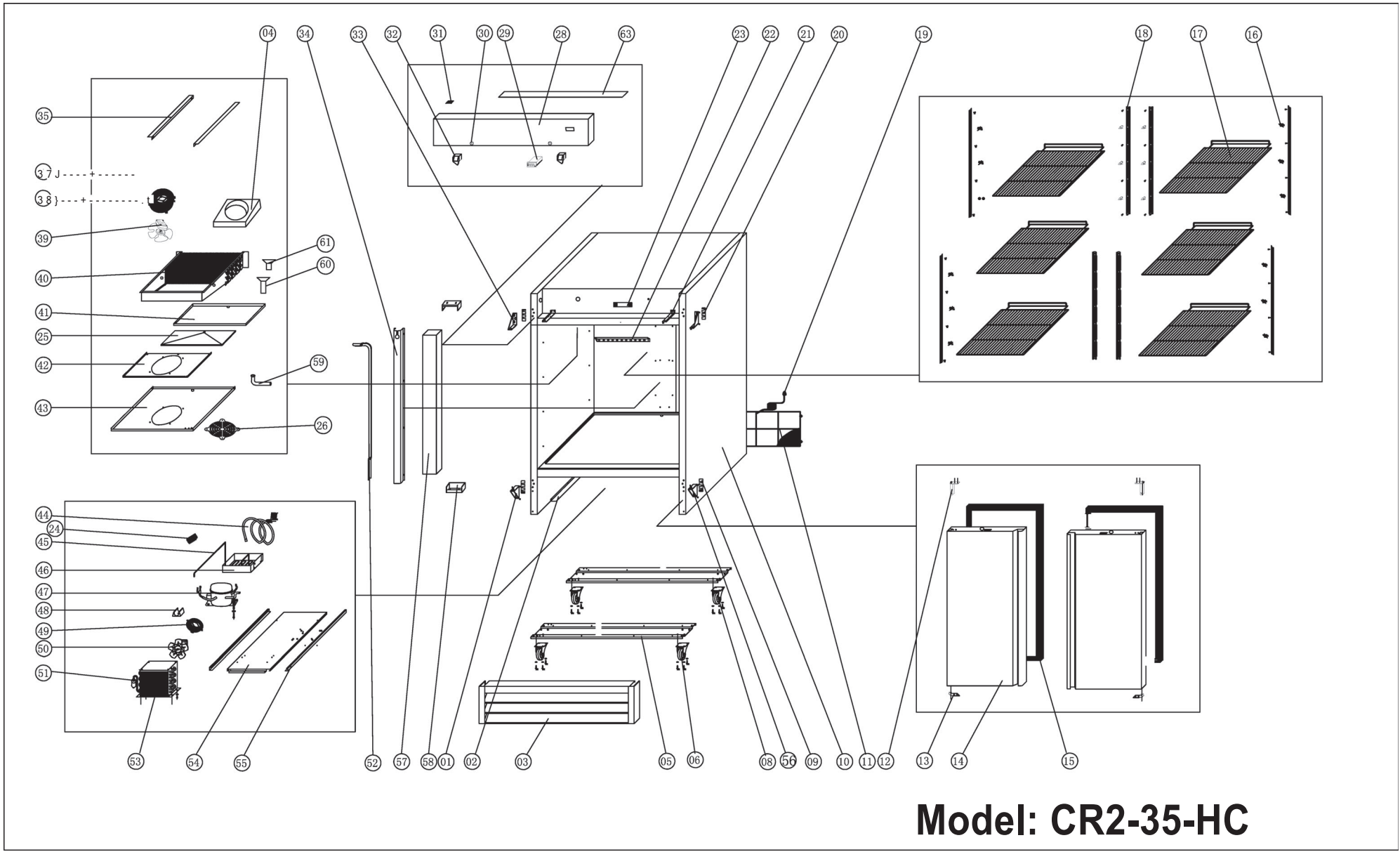
PART LIST MODEL: CR1-19-HC

No.	PART #	DESCRIPTION	QTY	No.	PART #	DESCRIPTION	QTY
1	NON-STOCKING	BASE CHANEL	2	30	NON-STOCKING	CHANEL, SUCTION LINE COVER	1
2	H00316	CASTER, 4" DIAMETER W/BRAKE	2	31	HC000681	DRAIN PAN, EVAPORATOR	1
3	NON STOCKING	BAFFLE PLATE	1	32	NON STOCKING	EVAPORATOR SUPPORT	1
4	H00317	CASTER, 4" DIAMETER, W/O BRAKE	2	34	H03335	SENSOR CLIP	1
5	H00333	HINGE, BOTTOM RIGHT	1	35	HRC0350	EVAPORATOR COIL (EHGD-12R)	1
6	H00329	SHIMS, LOWER DOOR HINGES	2	36	NON-STOCKING	AIR DUCT	1
7	NON STOCKING	CABINET	1	37	HC0116-5	EVAPORATOR FAN MOTOR (BLDC L-1200RPM)	1
8	H00313	COVER, LOWER, REAR COMPARTMENT	1	38	GHC3012	MOTOR SUPPORT, EVAP FAN	1
9	H00419	SHELF 1D 19 (21.57" X 17.24")	3	39	HC0119	EVAPORATOR COVER, WHITE	1
10	C3234860	PILASTER SHELF CLIP	12	40	HDV0009B	HELIX SUCTION PIPE+CAPILLARY B	1
11	H00342	PILASTER	4	41	HC0159	SUCTION PIPE	1
12	H00324-3	DOOR, SOLID, BOTTOM MOUNT (HC)	1	42	C30012	CONDENSER DRAIN BOX	1
13	H00326	HINGE AXIS JACKET, BOTTOM	1	43	HC0001F	COMPRESSOR (EM2X3117U) W/ FILTER DRIER	1
14	HC0328	DOOR CLOSURE	1	43	HC0001K	START KIT FOR EM2X3117U	1
15	H00325-3	GASKET, DOOR BOTTOM MOUNT (HC) (52 3/8" X 24 13/16")	1	43	H00301	CAPILLARY TUBE .055" ID X 196.9" L	1
16	C2194681	POWER CORD, 18AWG/NEMA 5-15P	1	44	NON-STOCKING	DRIER SUPPORT	1
17	H00329-1	SHIMS, UPPER DOOR HINGES	2	45	RD00111	CONDENSER FAN GRILL	1
18	H00330	HINGE, TOP LEFT	1	46	H00110	CONDENSER FAN MOTOR, 9W, M4Q045-CA27-04/CA01	1
18	H00331	HINGE, TOP RIGHT	1	47	HC0346	CONDENSER COIL (HC-HGD12F)	1
19	NON-STOCKING	UPPER SHROUD SUPPORT BRACKET	2	48	HDV009A	VERTICAL SUCTION PIPE+CAPILLARY A	1
20	C2194688	LED LIGHT STRIP (REACH-IN) (LED2835, 2.4W, 24 VDC)	1	49	H00341	FILTER DRIER	1
21	H104070118	LED POWER SUPPLY (24VAC/6.7W)	1	50	G10006	LED POWER SUPPLY (LED-B-13VDC-15W)	1
22	H00215	TERMINAL BLOCK, 5 POLE	3	51	H00437-1	SHROUD, LOWER 1D (USE FROM DATE CODE 2201)	1
23	NON STOCKING	SUPPORT PAN	1	52	NON STOCKING	COMPRESSOR MOUNTING PANEL	1
24	C2194677	DOOR SWITCH 3 PIN WHITE (AFTER START OF HC)	1	53	NON-STOCKING	GUIDE RAIL	2
25	H5114000647	UPPER SHROUD, BOTTOM MOUNT (ENTREE)	1	54	H110336	HINGE, BOTTOM LEFT	1
25	H5114000647C	UPPER SHROUD, BOTTOM MOUNT (MOTAK/CENTAUR)	1	55	H00336	DRAIN JOINT	1
26	HC00357	KEY-DOOR, LOCK (SOLD IN PACK OF TWO)	1	56	G30002	DRAIN FITTING (F)	1
28	H00321	HINGE, SHROUD UPPER	2	57	G30001	DRAIN PIPE FITTING	1
29	H00219-2	CONTROLLER, DIXELL (XR20CX-4R0F1)	1	59	NON-STOCKING	TOP COVER PANEL	1
29	H00205	TEMPERATURE SENSOR NTC (118" LENGTH)	1	60	H00127	FAN GUARD	1



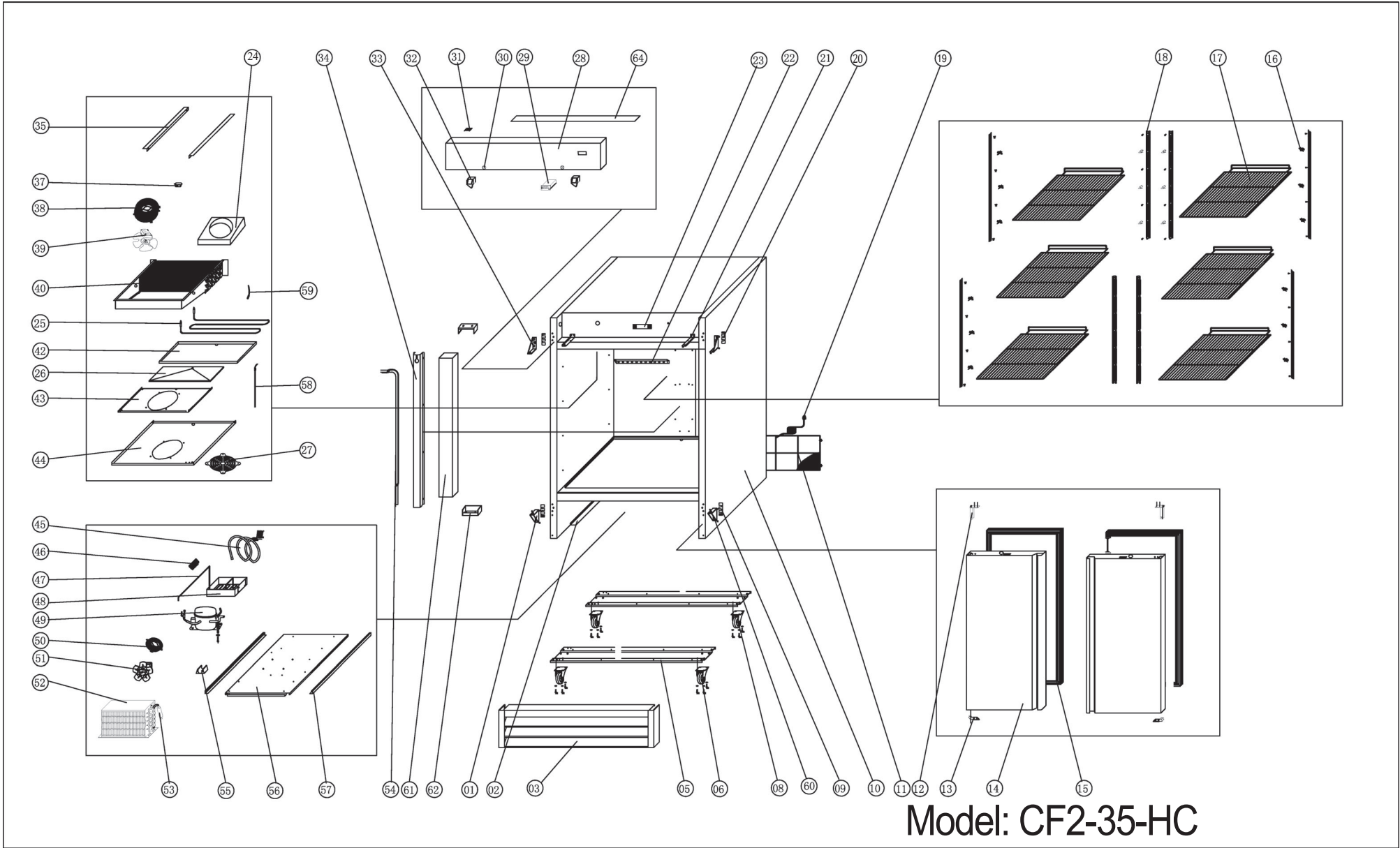
Part List Model: CF1-19-HC

No.	PART #	DESCRIPTION	QTY	No.	PART #	DESCRIPTION	QTY
1	NON-STOCKING	BASE CHANEL	2	33	HC1205	DEFROST HEATING ELEMENT	1
2	H00316	CASTER, 4" DIAMETER W/BRAKE	2	34	NON STOCKING	EVAPORATOR SUPPORT	1
3	NON STOCKING	BAFFLE PLATE	1	36	H03335	SENSOR CLIP	1
4	H00317	CASTER, 4" DIAMETER, W/O BRAKE	2	37	HC0355F-1	EVAPORATOR COIL (USE AFTER DATE CODE 2201) (G-HGD12F)	1
5	H00333	HINGE, BOTTOM RIGHT	1	38	NON-STOCKING	AIR DUCT	1
5	H00327.1	HINGE PIN W/NUT & BUSHING (NEW STYLE)	1	39	HC0116-5	EVAPORATOR FAN MOTOR (BLDC L-1200RPM)	1
6	H00329	SHIMS, LOWER DOOR HINGES	2	40	GHC3012	MOTOR SUPPORT, EVAP FAN	1
7	NON STOCKING	CABINET	1	41	HC0119	EVAPORATOR COVER, WHITE	1
8	H00313	COVER, LOWER, REAR COMPARTMENT	1	42	HDV0017B	HELIX SUCTION PIPE+CAPILLARY B	1
9	H00419	SHELF 1D 19 (21.57" X 17.24")	3	43	H00215	TERMINAL BLOCK, 5 POLE	1
10	C3234860	PILASTER SHELF CLIP	12	44	HC110416	SUCTION PIPE	1
11	H00342	PILASTER	4	45	C30013	CONDENSER DRAIN BOX	1
12	H00324-3	DOOR, SOLID, BOTTOM MOUNT (HC)	1	46	HC0007F	COMPRESSOR (EMC3140U) W/ FILTER DRIER	1
13	H00326	HINGE AXIS JACKET, BOTTOM	1	46	H00229	START KIT FOR EMC3140U	1
14	HC0328	DOOR CLOSURE	2	46	H00302	CAPILLARY TUBE .055" ID X 169.25" L	1
15	H00325-3	GASKET, DOOR BOTTOM MOUNT (HC) (52 3/8" X 24 13/16")	1	47	NON-STOCKING	DRIER SUPPORT	1
16	C2194684	POWER CORD, 14AWG/NEMA 5-15P	1	48	RD00111	CONDENSER FAN GRILL	1
17	H00329	SHIMS, UPPER DOOR HINGES	2	49	H00110	CONDENSER FAN MOTOR, 9W, M4Q045-CA27-04/CA01	1
18	H00330	HINGE, TOP LEFT	1	49	HC0117-1	CONDENSER FAN BLADE	1
18	H00331	HINGE, TOP RIGHT	1	50	HC0343	CONDENSER COIL (G-HGD12F)	1
19	NON-STOCKING	UPPER SHROUD SUPPORT BRACKET	2	51	HDV011A	VERTICAL SUCTION PIPE+CAPILLARY A	1
20	C2194688	LED LIGHT STRIP (REACH-IN) (LED2835, 2.4W, 24 VDC)	1	52	H00341	FILTER DRIER	1
21	H104070118	LED POWER SUPPLY (24VAC/6.7W)	1	54	H00437	SHROUD, LOWER 1DF-19 ..	1
23	G10006	LED POWER SUPPLY (LED-B-13VDC-15W)	1	55	NON STOCKING	COMPRESSOR MOUNTING PANEL	1
25	C2194677	DOOR SWITCH 3 PIN WHITE (AFTER START OF HC)	1	56	NON-STOCKING	GUIDE RAIL	2
26	H5114000647	UPPER SHROUD, BOTTOM MOUNT (ENTREE)	1	57	H00211	HEATER, DRAIN PIPE, (13W)	1
26	H5114000647C	UPPER SHROUD, BOTTOM MOUNT (MOTAK/CENTAUR)	1	58	H00207	FUSE, THERMAL, DEFROST HEATER	1
27	HC00357	KEY-DOOR, LOCK (SOLD IN PACK OF TWO)	1	59	H00332	HINGE, BOTTOM LEFT	1
28	NON STOCKING	SUPPORT PAN	1	60	H00336	DRAIN JOINT	1
29	H00321	HINGE, SHROUD UPPER	2	61	G30002	DRAIN FITTING (F)	1
30	HC0204	CONTROLLER, DIXELL (XR60CX-4R0F1)	1	62	G30001	DRAIN PIPE FITTING	1
30	H00205	TEMPERATURE SENSOR NTC (118" LENGTH)	2	64	NON-STOCKING	TOP COVER PANEL	1
31	NON-STOCKING	CHANEL, SUCTION LINE COVER	1	65	H00127	FAN GUARD	1
32	HC000681	DRAIN PAN, EVAPORATOR	1				



PARTS LIST MODEL: CR2-35-HC

No.	PART #	DESCRIPTION	QTY	No.	PART #	DESCRIPTION	QTY
1	H00332	HINGE, BOTTOM LEFT	1	33	H00330	HINGE, TOP LEFT	1
2	NON STOCKING	SLIDE BRACKET	1	34	NON-STOCKING	CHANEL, SUCTION LINE COVER	1
3	H00338-2	SHROUD, LOWER 2D-35 (AFTER DATE CODE 2201)	1	35	NON STOCKING	EVAPORATOR SUPPORT	1
4	GHC3014	AIR DUCT	1	37	H00335	SENSOR CLIP	1
5	NON-STOCKING	BASE CHANEL	2	38	H00112	EVAPORATOR FAN GUARD, WHITE	1
6	H00316	CASTER, 4" DIAMETER W/BRAKE	2	39	H00114-1	EVAPORATOR FAN MOTOR, ECM7108 (ECM7108AAA1DA406) (1082 CFM, 1300 RPM) 100-120V 50/60HZ, 14W	1
8	H00317	CASTER, 4" DIAMETER, W/O BRAKE	2	40	HC0351R	EVAPORATOR COIL (HC-54R)	1
9	H00329	SHIMS, LOWER DOOR HINGES	4	41	H00143.1	DRAIN PAN, EVAPORATOR 54F (USE AFTER 1409)	1
10	NON STOCKING	CABINET	1	42	HC0131	MOTOR SUPPORT, EVAP FAN, WHITE (2 DOOR)	1
11	H03315	COVER, LOWER, REAR COMPARTMENT	1	43	H00153	EVAPORATOR COVER, WHITE	1
12	HC0328	DOOR CLOSURE	2	44	H113100958	HELIX SUCTION PIPE+CAPILLARY B	1
13	H00326	HINGE AXIS JACKET, BOTTOM	2	45	HC0149	SUCTION PIPE	1
14	H00324-1	DOOR, SOLID, 35 (HC)	2	46	C30014	CONDENSER DRAIN BOX	1
15	HC0325-1	GASKET, DOOR HC (35)	2	47	H00039F	COMPRESSOR (EM2X3125U) W/ FILTER DRYER	1
16	C3234860	PILASTER SHELF CLIP	24	47	H00228	START KIT FOR EM2X3125U	1
17	H00435	SHELF 2D 35 (16.41" X 24.33")	6	47	H01302	CAPILLARY TUBE .055" ID X 118.11" L	1
18	H00342	PILASTER	8	48	NON-STOCKING	DRIER SUPPORT	1
19	C2194681	POWER CORD, 18AWG/NEMA 5-15P	1	49	RD00111	CONDENSER FAN GRILL	1
20	H00329-1	SHIMS, UPPER DOOR HINGES	4	50	H00110	CONDENSER FAN MOTOR, 9W, M4Q045-CA27-04/CA01	1
21	NON-STOCKING	UPPER SHROUD SUPPORT BRACKET	2	51	H00341	FILTER DRIER	1
22	C2194688	LED LIGHT STRIP (REACH-IN) (LED2835, 2.4W, 24 VDC)	1	52	H00303	VERTICAL SUCTION PIPE+CAPILLARY A	1
23	H104070118	LED POWER SUPPLY (24VAC/6.7W)	1	53	HC0347	CONDENSER COIL (G-SS45BT)	1
24	H00215	TERMINAL BLOCK, 5 POLE	3	54	NON-STOCKING	COMPRESSOR MOUNTING PANEL	1
25	NON STOCKING	SUPPORT PAN	1	55	NON-STOCKING	GUIDE RAIL/Left	1
26	H00121-1	EVAPORATOR FAN GUARD	1	55	NON-STOCKING	GUIDE RAIL/Right	1
28	H00319-35	UPPER SHROUD, BOTTOM MOUNT (ENTREE)	1	56	H00333	HINGE, BOTTOM RIGHT	1
28	H00319-35C	UPPER SHROUD, BOTTOM MOUNT (MOTAK/CENTAUR)	1	57	HC00022	MULLION, CENTER	1
29	H00219-2	CONTROLLER, DIXELL (XR20CX-4R0F1)	1	58	HC00112-1	MULLION BRACKET, MIDDLE (USE AFER DATE CODE 2201)	2
29	H00205	TEMPERATURE SENSOR NTC (118" LENGTH)	1	59	H00336	DRAIN JOINT	1
30	HC00357	KEY-DOOR, LOCK (SOLD IN PACK OF TWO)	2	60	G30002	DRAIN FITTING (F)	1
31	H00321	HINGE, SHROUD UPPER	2	61	G30001	DRAIN PIPE FITTING	1
32	C2194677	DOOR SWITCH 3 PIN WHITE (AFTER START OF HC)	2	63	NON-STOCKING	TOP COVER PANEL	1



PARTS LIST MODEL CF2-35-HC

No.	PART #	DESCRIPTION	QTY	No.	PART #	DESCRIPTION	QTY
1	H00332	HINGE, BOTTOM LEFT	1	33	H00330	HINGE, TOP LEFT	1
2	NON STOCKING	SLIDE BRACKET	1	33	H00331	HINGE, TOP RIGHT	1
3	H00338-2	SHROUD, LOWER 2D-35 (AFTER DATE CODE 2201)	1	34	NON-STOCKING	CHANEL, SUCTION LINE COVER	1
5	NON-STOCKING	BASE CHANEL	2	35	NON STOCKING	EVAPORATOR SUPPORT	1
6	H00316	CASTER, 4" DIAMETER W/BRAKE	2	37	H00335	SENSOR CLIP	1
8	H00317	CASTER, 4" DIAMETER, W/O BRAKE	2	38	H00112	EVAPORATOR FAN GUARD, WHITE	1
9	H00329	SHIMS, LOWER DOOR HINGES	2	39	H00114-1	EVAPORATOR FAN MOTOR, ECM7108 (ECM7108AAA1DA406) (1082 CFM, 1300 RPM) 100-120V 50/60HZ, 14W	1
10	NON STOCKING	CABINET	1	40	HC0351F	EVAPORATOR COIL (G-54F)	1
11	H03315	COVER, LOWER, REAR COMPARTMENT	1	42	H00143.1	DRAIN PAN, EVAPORATOR 54F (USE AFTER 1409)	1
12	HC0328	DOOR CLOSURE	2	43	GHC03921	EVAPORATOR FAN SUPPORT	1
13	H00326	HINGE AXIS JACKET, BOTTOM	2	44	H00153	EVAPORATOR COVER, WHITE	1
14	H00324-1	DOOR, SOLID, 35 (HC)	2	45	HDV0013B	HELIX SUCTION PIPE+CAPILLARY B	1
15	HC0325-1	GASKET, DOOR HC (35)	2	46	H00215	TERMINAL BLOCK, 5 POLE	1
16	C3234860	PILASTER SHELF CLIP	24	47	HRI2001	SUCTION PIPE	1
17	H00435	SHELF 2D 35 (16.41" X 24.33")	6	48	C30014	CONDENSER DRAIN BOX	1
18	H00342	PILASTER	8	49	HC0014F	COMPRESSOR (SCE18CNLX) W/ FILTER DRYER	1
19	C2194684	POWER CORD, 14AWG/NEMA 5-15P	1	49	HC0014K	START KIT FOR SCE18CNLX	1
20	H00329-1	SHIMS, UPPER DOOR HINGES	2	49	H00304	CAPILLARY TUBE .055" ID X 129.92" L	1
21	NON-STOCKING	UPPER SHROUD SUPPORT BRACKET	2	50	HC0113	CONDENSER FAN GRILL	2
22	C2194688	LED LIGHT STRIP (REACH-IN) (LED2835, 2.4W, 24 VDC)	1	51	H00125	CONDENSER FAN MOTOR, BD03-04/CO6 (5W)	2
23	H104070118	LED POWER SUPPLY (24VAC/6.7W)	1	52	HC0358	CONDENSER COIL (G-54F)	1
24	GHC3014	AIR DUCT	1	53	H00341	FILTER DRIER	1
25	HC0202	DEFROST HEATING ELEMENT	1	54	HDV010A	VERTICAL SUCTION PIPE+CAPILLARY A	1
26	NON STOCKING	SUPPORT PAN	1	55	NON-STOCKING	DRIER SUPPORT	1
27	H00121-1	EVAPORATOR FAN GUARD	1	56	NON-STOCKING	COMPRESSOR MOUNTING PANEL	1
28	HC0319-35	SHROUD, UPPER 2D-35, (USE AFTER DATE CODE 2201)	1	57	NON-STOCKING	GUIDE RAIL	1
28	HC0319-35C	SHROUD, UPPER 2D-35, (USE AFTER DATE CODE 2201) MOTAK/CENTAUR	1	57	NON-STOCKING	GUIDE RAIL	1
29	HC0204	CONTROLLER, DIXELL (XR60CX-4R0F1)	1	58	H00212	DRAIN PIPE HEATER	1
29	H00205	TEMPERATURE SENSOR NTC (118" LENGTH)	2	59	H00207	FUSE, THERMAL, DEFROST HEATER	1
30	H00340	DOOR LOCK W/2 KEYS	2	60	H00333	HINGE, BOTTOM RIGHT	1
31	H00321	HINGE, SHROUD UPPER	2	61	HC00117	MULLION, CENTER (FREEZER)	1
32	C2194677	DOOR SWITCH 3 PIN WHITE (AFTER START OF HC)	2	62	HC00112-1	MULLION BRACKET, MIDDLE (USE AFER DATE CODE 2201)	2
				64	NON-STOCKING	TOP COVER PANEL	1



PARTS LIST

FOR REACH-IN MODELS:

CR1-19-HC, CF1-19-HC, CR2-35-HC, & CF2-35-HC



For Parts Call (704) 900-2068, Option #2

Revision Date: January 9, 2025