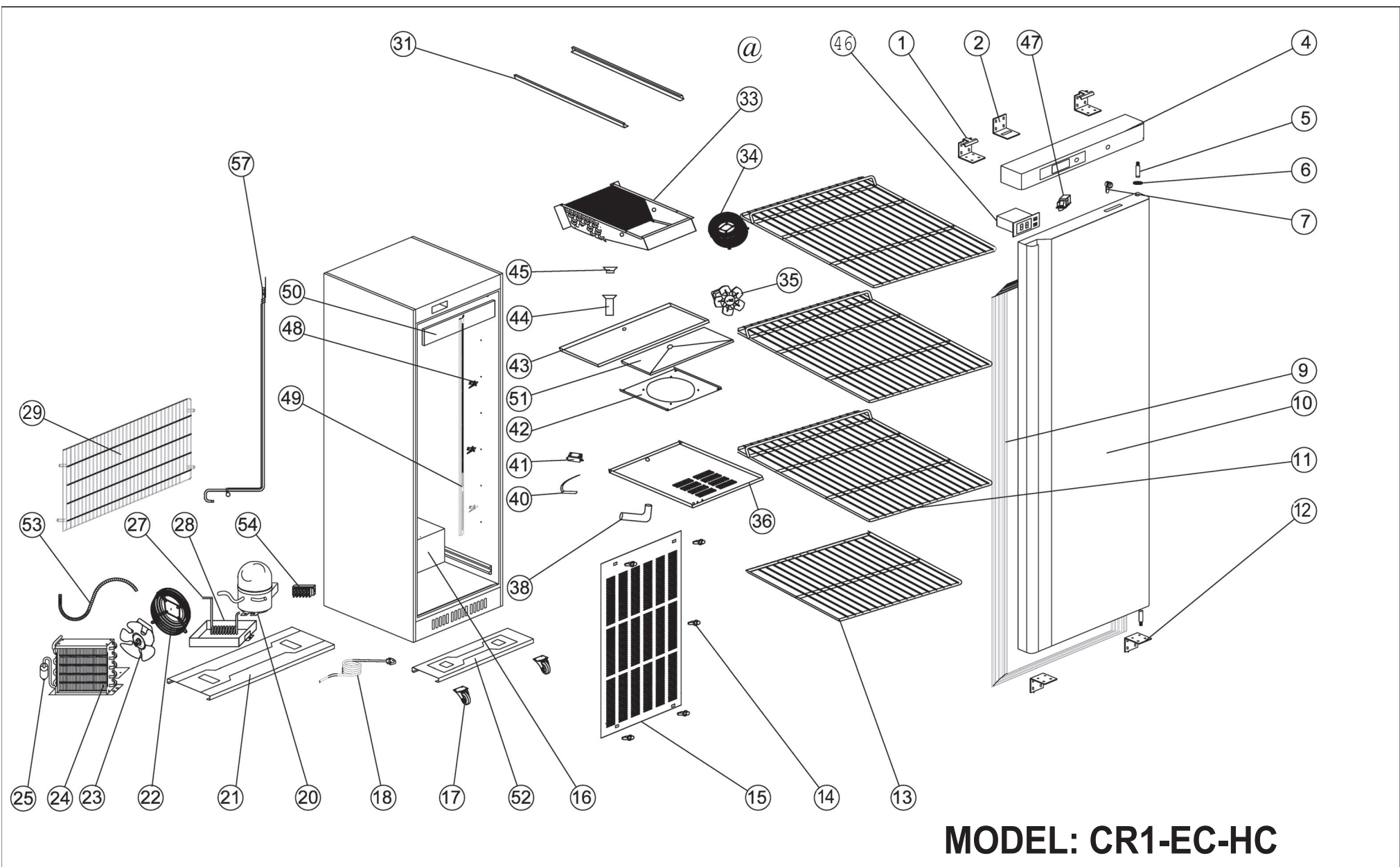




**PARTS LIST**  
**FOR REACH-IN ECONOMY MODELS:**  
**CR1-EC-HC, CF1-EC-HC, and CR1-EC-G-HC**



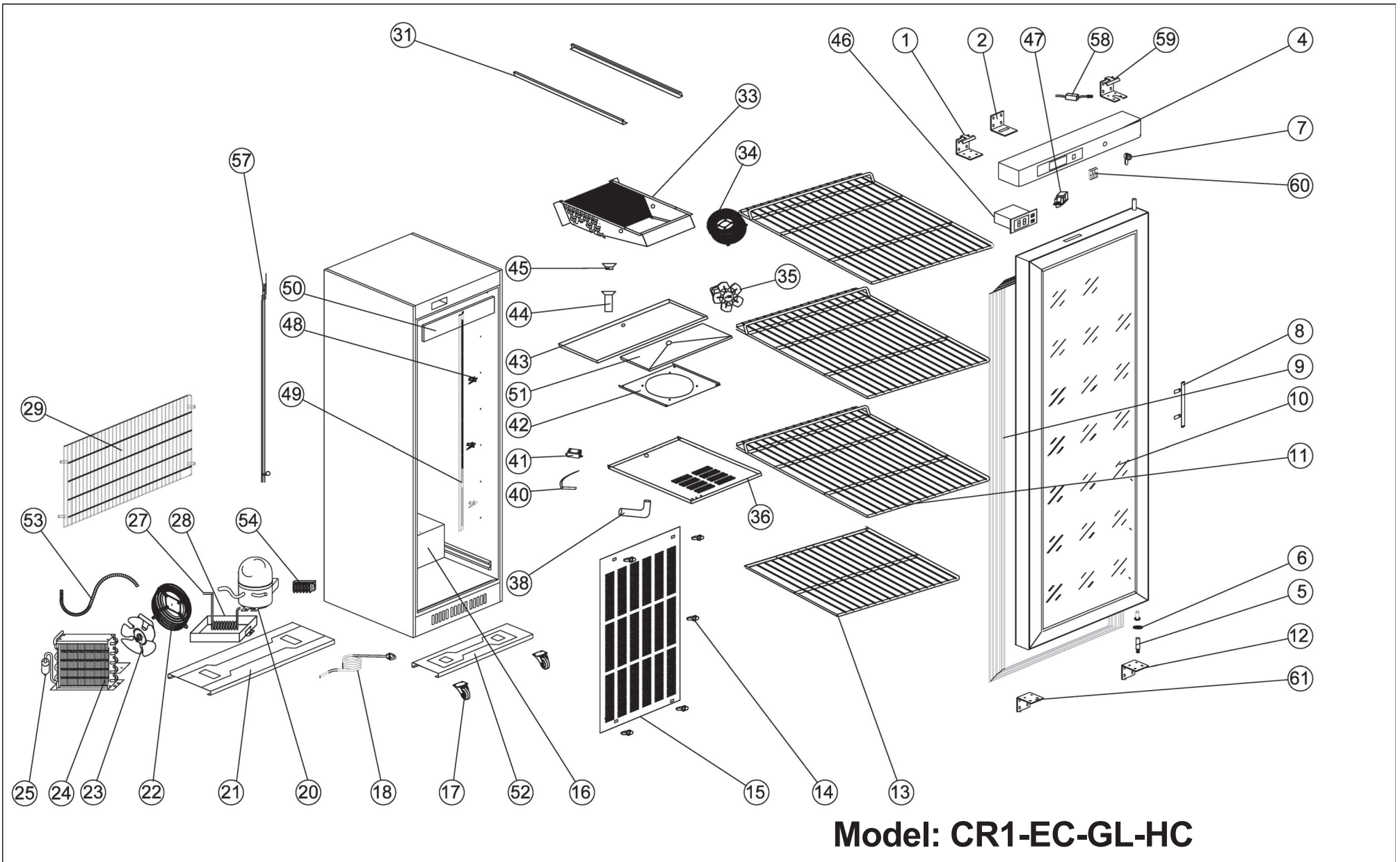
*Revision Date January 2, 2025*



**MODEL: CR1-EC-HC**

# Model: CR1-EC-HC

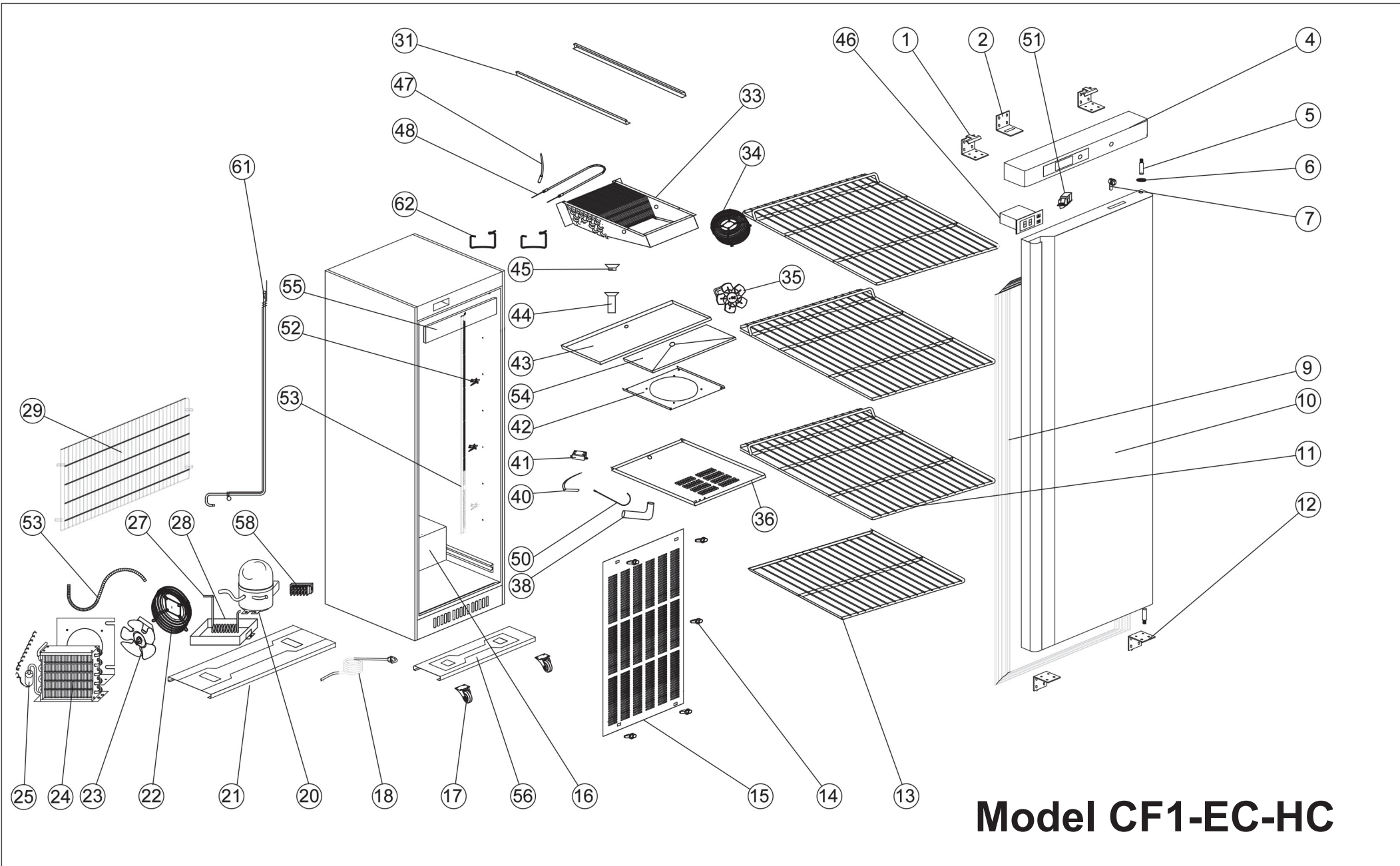
No.	PART #	DESCRIPTION	QTY	No.	PART #	DESCRIPTION	QTY
1	HR0330	HINGE, UPPER	2	28	C30012	CONDENSER DRAIN BOX	1
2	HR0331	BRACKET FOR DOOR LOCK	1	29	HR0313	REAR COVER GRILL	1
4	HR0001	UPPER SHROUD	1	31	NON STOCKING	EVAPORATOR SUPPORT	2
4	HR0001-1	UPPER SHROUD (USE PRIOR TO DATE CODE 2201)	1	33	H000880	EVAPORATOR COIL (G-HF25ES)	1
5	H0326	HINGE, AXIS	2	34	H01122	EVAPORATOR FAN GUARD, WHITE (D200)	1
6	H03329	HINGE BUSHING	2	35	H00114-1	EVAPORATOR FAN MOTOR, ECM7108 (ECM7108AAA1DA406) (1082 CFM, 1300 RPM) 100-120V 50/60HZ, 14W	1
7	H00340	DOOR LOCK W/2 KEYS	1	35	H00121	CONDENSER FAN BLADE	1
9	HR0325	GASKET 30-1/4 X 68 BLACK	1	36	HR0348	EVAPORATOR FAN COVER	1
10	HR0327	DOOR, SOLID, ECONOMY MODEL	1	38	H00336-1	DRAIN JOINT	1
11	H00309	SHELF 1D (25.7" X 20.86")	3	40	H00205	TEMPERATURE SENSOR NTC (118" LENGTH)	1
12	HR0334	LOWER HINGE	2	40	H00232	SENSOR CONNECTOR	1
13	H00309B	BOTTOM SHELF	1	40	H00198	TEMPERATURE SENSOR NTC (4.5m)	1
14	HR0002	EVAPORATOR COVER CLIP	5	40	H00199	TEMPERATURE SENSOR NTC	1
15	NON STOCKING	EVAPORATOR COVER	1	41	H00335	SENSOR CLIP	1
16	NON STOCKING	CABINET	1	42	HR0140	EVAPORATOR FAN SUPPORT	1
17	H02317	CASTER, 3" DIAMETER, W/O BRAKE	2	43	HR0141	DRAIN PAN, EVAPORATOR	1
17	H02316	CASTER, 3" DIAMETER W/BRAKE	2	44	G30002	DRAIN FITTING	1
18	C2194684	POWER CORD, 14AWG/NEMA 5-15P	1	45	G30001	DRAIN PIPE FITTING	1
20	HC0001F	COMPRESSOR (EM2X3117U) W/ FILTER DRIER	1	46	H00219-2	CONTROLLER, DIXELL (XR20CX-4R0F1)	1
20	HC0001K	START KIT FOR EM2X3117U	1	47	C2194676	DOOR SWITCH 4 PIN WHITE	1
21	NON-STOCKING	COMPRESSOR MOUNTING PANEL	1	48	C3234860	PILASTER SHELF CLIP	12
22	HC0113	CONDENSER FAN GRILL	1	49	H00342	PILASTER	4
23	H00125	CONDENSER FAN MOTOR, BD03-04/CO6 (5W)	1	50	NON STOCKING	INNER PANEL	1
23	H00121	CONDENSER FAN BLADE, 200	1	51	NON STOCKING	SUPPORT PAN	1
24	EC01347	CONDENSER COIL (EHR25ES)	1	52	NON-STOCKING	CONDENSER PAN	1
24	NON-STOCKING	CONDENSER SUPPORT	2	53	HC0396	DRAIN TUBING	1
25	H00341	FILTER DRIER	1	54	H00215	TERMINAL BLOCK, 5 POLE	1
27	HC0146	SUCTION PIPE	1	57	NON-STOCKING	SUCTION PIPE	1



# MODEL CR1-EC-GL-HC

No.	PART #	DESCRIPTION	QTY	No.	PART #	DESCRIPTION	QTY
1	H110036	HINGE, UPPER LEFT	1	29	HR0313	REAR COVER GRILL	1
2	H110044	LATCH FOR DOOR HOOK	1	31	NON STOCKING	EVAPORATOR SUPPORT	2
4	H130008	UPPER SHROUD	1	33	H000880	EVAPORATOR COIL (G-HF25ES)	1
5	H0326	HINGE, AXIS	1	34	H01122	EVAPORATOR FAN GUARD, WHITE (D200)	1
6	H03329	HINGE BUSHING	1	35	H00114-1	EVAPORATOR FAN MOTOR, ECM7108 (ECM7108AAA1DA406) (1082 CFM, 1300 RPM) 100-120V 50/60HZ, 14W	1
7	H00340	DOOR LOCK W/2 KEYS	1	35	H00121	CONDENSER FAN BLADE, 200	1
8	H140003	Door Handle	1	36	HR0348	EVAPORATOR FAN COVER	1
8	H110055	DOOR HANDLE PAD	2	38	H00336-1	DRAIN JOINT	1
9	HR0325	GASKET 30-1/4 X 68 BLACK	1	40	H00205	TEMPERATURE SENSOR NTC (118" LENGTH)	1
10	H010578	DOOR, GLASS (ECONOMY MODEL)	1	40	H00232	SENSOR CONNECTOR	1
10	H070106	LED LAMP/LEFT	1	40	H00198	TEMPERATURE SENSOR NTC (4.5m)	1
10	H070130	LED LAMP/RIGHT	1	40	H00199	TEMPERATURE SENSOR NTC	1
11	H00309	SHELF 1D (25.7" X 20.86")	3	41	H00335	SENSOR CLIP	1
12	H110048	HINGE, LOWER RIGHT W/AXIS PIN	1	42	HR0140	EVAPORATOR FAN SUPPORT	1
13	H00309B	BOTTOM SHELF	1	43	HR0141	DRAIN PAN, EVAPORATOR	1
14	HR0002	EVAPORATOR COVER CLIP	5	44	G30002	DRAIN FITTING	1
15	NON STOCKING	EVAPORATOR COVER	1	45	G30001	DRAIN PIPE FITTING	1
16	NON STOCKING	CABINET	1	46	H00219-2	CONTROLLER, DIXELL (XR20CX-4R0F1)	1
17	H02317	CASTER, 3" DIAMETER, W/O BRAKE	2	47	C2194676	DOOR SWITCH 4 PIN WHITE	1
17	H02316	CASTER, 3" DIAMETER W/BRAKE	2	48	C3234860	PILASTER SHELF CLIP	12
18	C2194684	POWER CORD, 14AWG/NEMA 5-15P	1	49	H00342	PILASTER	4
20	HC0001F	COMPRESSOR (EM2X3117U) W/ FILTER DRIER	1	50	NON STOCKING	INNER PANEL	1
20	HC0001K	START KIT FOR EM2X3117U	1	51	NON STOCKING	SUPPORT PAN	1
21	NON-STOCKING	COMPRESSOR MOUNTING PANEL	1	52	NON-STOCKING	CONDENSER PAN	1
22	HC0113	CONDENSER FAN GRILL	1	53	HC0396	DRAIN TUBING	1
23	H00125	CONDENSER FAN MOTOR, BD03-04/CO6 (5W)	1	54	H00215	TERMINAL BLOCK, 5 POLE	1
23	H00121	CONDENSER FAN BLADE, 200	1	57	NON-STOCKING	SUCTION PIPE	1
24	EC01347	CONDENSER COIL (EHR25ES)	1	58	H070134	LED POWER SUPPLY (24VAC/6W)	1
24	NON-STOCKING	CONDENSER SUPPORT	2	59	H110038	HINGE, UPPER LEFT	1
25	H00341	FILTER DRIER	1	60	C2194692	LIGHT SWITCH	1
27	HC0146	SUCTION PIPE	1	60	HC10018	WATERPROOF COVER	1
28	C30012	CONDENSER DRAIN BOX	1	61	H110049	HINGE, LOWER LEFT/RIGHT (TOP-MOUNT)	1





**Model CF1-EC-HC**

# Model CF1-EC-HC

No.	PART #	DESCRIPTION	QTY	No.	PART #	DESCRIPTION	QTY
1	HR0330	HINGE, UPPER	2	31	NON STOCKING	EVAPORATOR SUPPORT	2
2	HR0331	BRACKET FOR DOOR LOCK	1	33	H000880	EVAPORATOR COIL (G-HF25ES)	1
4	HR0001	UPPER SHROUD	1	34	H01122	EVAPORATOR FAN GUARD, WHITE (D200)	1
4	HR0001-1	UPPER SHROUD (USE PRIOR TO DATE CODE 2201)	1	35	H00114-1	EVAPORATOR FAN MOTOR, ECM7108 (ECM7108AAA1DA406) (1082 CFM, 1300 RPM) 100-120V 50/60HZ, 14W	1
5	H0326	HINGE, AXIS	2	35	H00121	CONDENSER FAN BLADE, 200	1
6	H03329	HINGE BUSHING	2	36	HR0348	EVAPORATOR FAN COVER	1
7	H00340	DOOR LOCK W/2 KEYS	1	38	H00336-1	DRAIN JOINT	1
9	HR0325	GASKET 30-1/4 X 68 BLACK	1	40	H00205	TEMPERATURE SENSOR NTC (118" LENGTH)	1
10	HR0324	DOOR, SOLID, ECONOMY MODEL	1	40	H00232	SENSOR CONNECTOR	1
11	H00309F	SHELF, 1DF, EC (USE AFTER DATE CODE 2201)	3	40	H00205-3M	TEMPERATURE SENSOR NTC (3m LENGHT)	1
12	HR0333	LOWER HINGE	2	40	H00199	TEMPERATURE SENSOR NTC	1
13	H00309B	BOTTOM SHELF	1	41	H00335	SENSOR CLIP	1
14	HR0002	EVAPORATOR COVER CLIP	5	42	HR0140	EVAPORATOR FAN SUPPORT	1
15	NON STOCKING	EVAPORATOR COVER	1	43	HR0141	DRAIN PAN, EVAPORATOR	1
16	NON STOCKING	CABINET	1	44	G30002	DRAIN FITTING	1
17	H02317	CASTER, 3" DIAMETER, W/O BRAKE	2	45	G30001	DRAIN PIPE FITTING	1
17	H02316	CASTER, 3" DIAMETER W/BRAKE	2	46	HC0204	CONTROLLER, DIXELL (XR60CX-4R0F1)	1
18	C2194681	POWER CORD, 18AWG/NEMA 5-15P	1	47	H00207	FUSE, THERMAL, DEFROST HEATER	1
20	HC0025F	COMPRESSOR (EHX2155U) W/FILTER DRIER	1	48	HR0201	DEFROST HEATING ELEMENT	1
21	NON-STOCKING	COMPRESSOR MOUNTING PANEL	1	50	H00211	DRAIN PIPE HEATER, 13W	1
22	HC0113	CONDENSER FAN GRILL	1	51	C2194676	DOOR SWITCH 4 PIN WHITE	1
23	H00125	CONDENSER FAN MOTOR, BD03-04/CO6 (5W)	1	52	C3234860	PILASTER SHELF CLIP	12
23	H00121	CONDENSER FAN BLADE, 200	1	53	H00342	PILASTER	4
24	EC01347	CONDENSER COIL (EHR25ES)	1	54	NON STOCKING	SUPPORT PAN	1
24	NON-STOCKING	CONDENSER SUPPORT	1	55	NON STOCKING	INNER PANEL	1
25	H00341	FILTER DRIER	1	56	NON-STOCKING	CONDENSER PAN	1
27	HC0124	EVAPORATOR PIPE (REPLACES H00124)	1	57	HC0396	DRAIN TUBING	1
28	C30012	CONDENSER DRAIN BOX	1	58	H00215	TERMINAL BLOCK, 5 POLE	1
29	HCR0313	REAR COVER GRILL (REPLACES HR0313)	1	61	NON-STOCKING	SUCTION PIPE	1
				62	NON STOCKING	JUMPER FOR HEATING ELEMENT	2



**PARTS LIST**  
**FOR REACH-IN ECONOMY MODELS:**  
**CR1-EC-HC, CF1-EC-HC, and CR1-EC-G-HC**

