

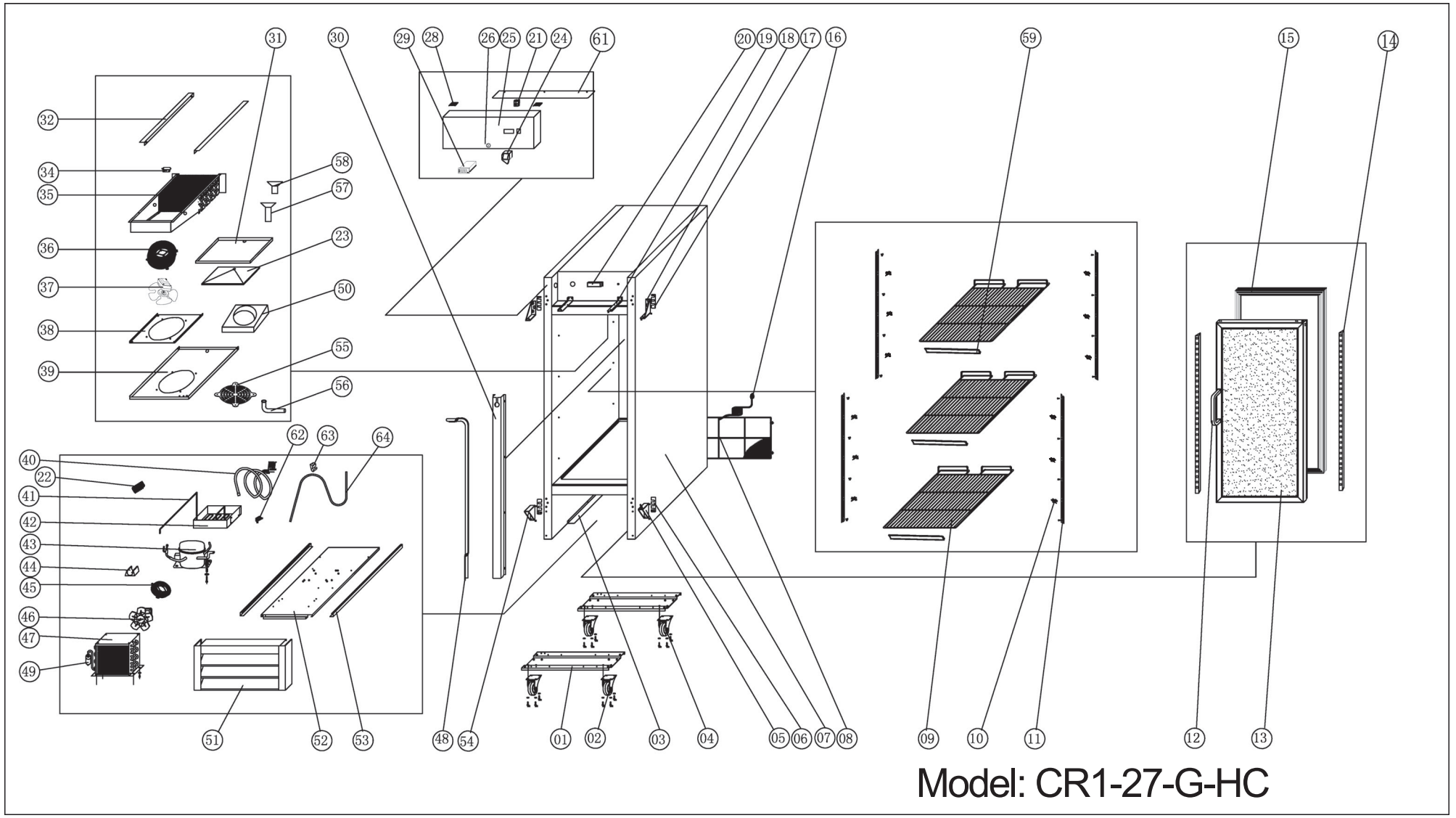


PARTS LIST
FOR REACH-IN MODELS:
CR1-27-G-HC, CR1-27-G-SI-HC, CR2-54-G-HC,
CF2-54-G-SI-HC



For Parts please Call (704) 900-2068

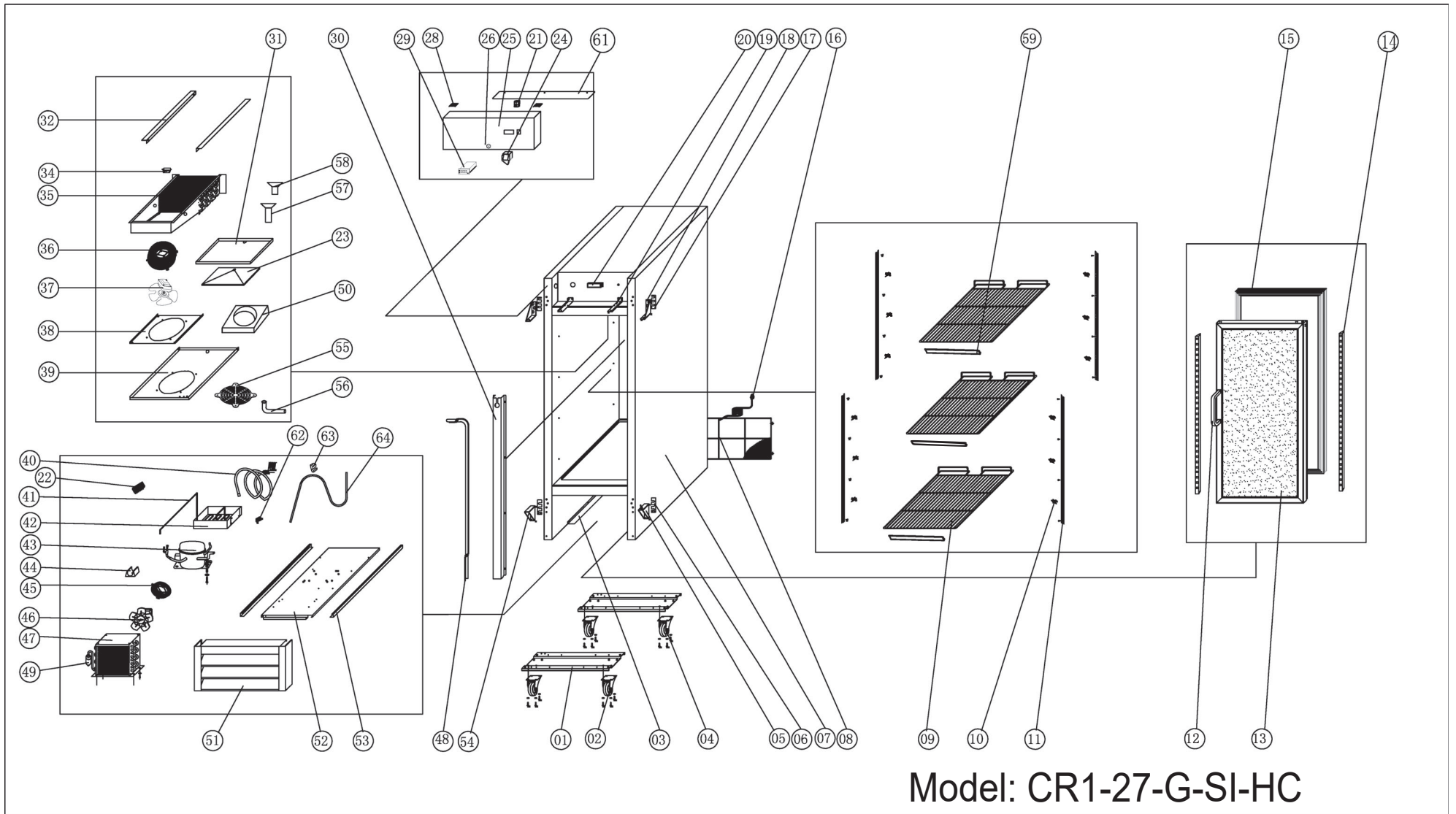
Revision Date: January 10, 2025



Model: CR1-27-G-HC

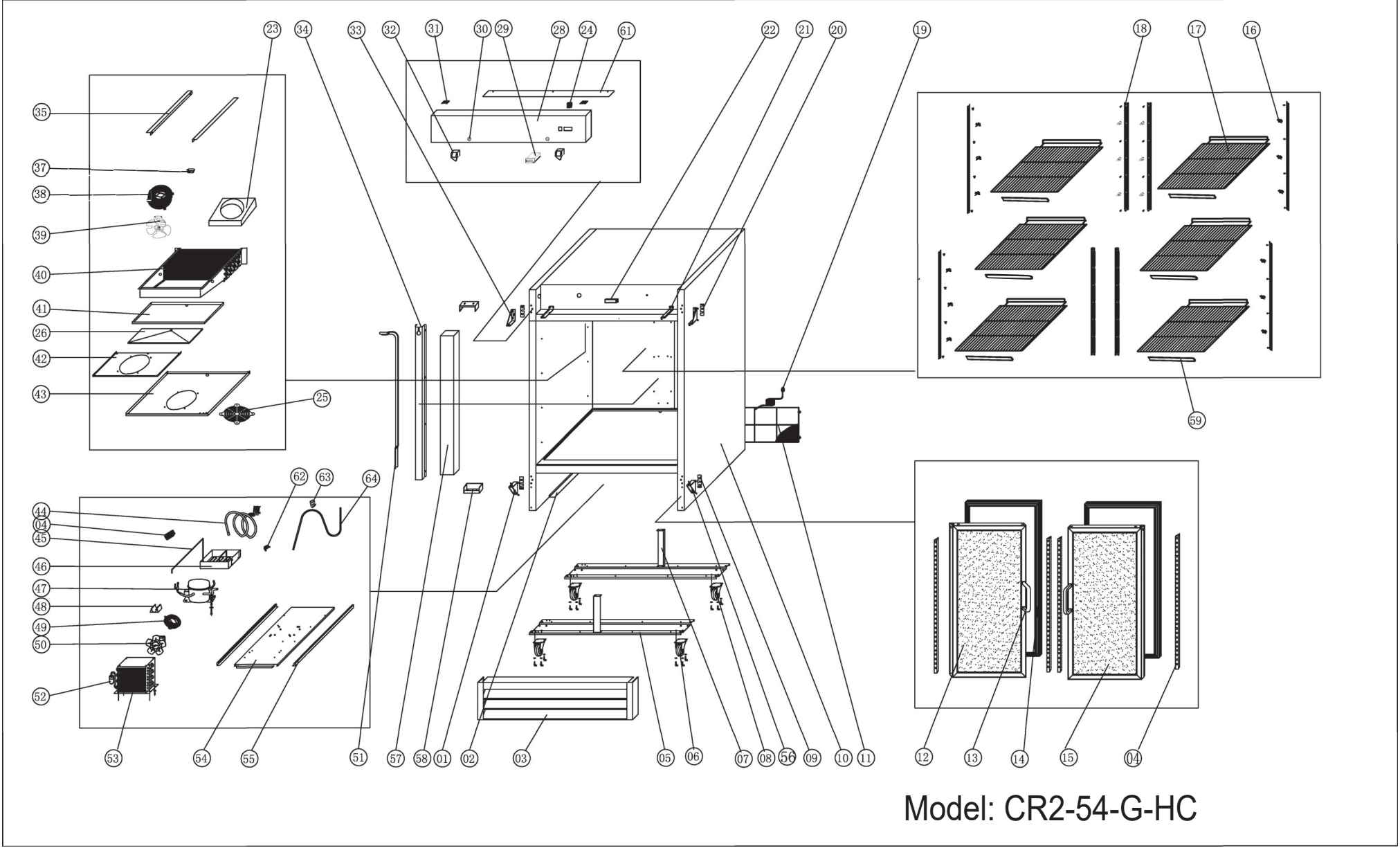
Parts List for Model: CR1-27-G-HC

No.	PART #	DESCRIPTION	QTY	No.	PART #	DESCRIPTION	QTY
1	NON-STOCKING	BASE CHANEL	2	32	NON STOCKING	EVAPORATOR SUPPORT	1
2	H00316	CASTER, 4" DIAMETER W/BRAKE	2	34	H00335	SENSOR CLIP	1
3	NON STOCKING	BAFFLE PLATE	1	35	HC000111	EVAPORATOR COIL (HC-27R)	1
4	H00317	CASTER, 4" DIAMETER, W/O BRAKE	2	36	H00112	EVAPORATOR FAN GUARD, WHITE	1
5	H01331	HINGE, BOTOM RIGHT	1	37	H00114-2	EVAPORATOR FAN MOTOR, ECM7108, L=600, 100-120V 50/60HZ, 14W	1
6	H00329	SHIMS, LOWER DOOR HINGES	2	38	H5202004565	MOTOR SUPPORT, EVAP FAN	1
7	NON STOCKING	CABINET	1	39	NON STOCKING	EVAPORATOR COVER, WHITE	1
8	H00313	COVER, LOWER, REAR COMPARTMENT	1	40	HDV0011B	HELIX SUCTION PIPE+CAPILLARY B	1
9	H00308-G	SHELF, LEFT/RIGHT GD (23.62" X 24.33")	4	41	HC0149	SUCTION PIPE	1
10	C3234860	PILASTER SHELF CLIP	12	42	C30014	CONDENSER DRAIN BOX	1
11	H00342	PILASTER	4	43	HC0001F	COMPRESSOR (EM2X3117U) W/ FILTER DRIER	1
12	G20035	HANDLE, GLASS SWING DOOR (NEW HC, FROM DATE CODE 2201)	1	43	HC0001K	START KIT FOR EM2X3117U	1
13	H00324RG	DOOR, GLASS RIGHT	1	43	H00301	CAPILLARY TUBE .055" ID X 196.9" L	1
14	G00400	LED LIGHT STRIP (LEFT)	1	44	NON-STOCKING	DRIER SUPPORT	1
14	G00402	LED LIGHT STRIP (RIGHT)	1	45	RD00111	CONDENSER FAN GRILL	1
15	HC0325-2	GASKET, GLASS DOOR	1	46	H00110	CONDENSER FAN MOTOR, 9W, M4Q045-CA27-04/CA01	1
16	C2194681	POWER CORD, 18AWG/NEMA 5-15P	1	47	HC0347	CONDENSER COIL (G-SS45BT)	1
17	H00329-1	SHIMS, UPPER DOOR HINGES	2	48	HDV008A	VERTICAL SUCTION PIPE+CAPILLARY A	1
18	H01330	HINGE, TOP RIGHT	1	49	H00341	FILTER DRIER	1
18	H01332	HINGE, TOP LEFT	1	50	GHC3014	AIR DUCT	4
19	NON-STOCKING	UPPER SHROUD SUPPORT BRACKET	2	51	H00337G	SHROUD, LOWER 1GD	1
20	GLED003	POWER SUPPLY (LD2006, 24VDC 21.6W)	1	52	NON-STOCKING	COMPRESSOR MOUNTING PANEL	1
21	C2194692	LIGHT SWITCH	1	53	NON-STOCKING	GUIDE RAIL	1
22	H00215	TERMINAL BLOCK, 5 POLE	3	54	H01333	HINGE, BOTTOM LEFT	1
23	NON STOCKING	SUPPORT PAN	1	55	H00121-1	EVAPORATOR FAN GUARD	1
24	HC10000	DOOR SWITCH	1	56	H00336	DRAIN JOINT	1
25	G00318	UPPER SHROUD, 1 GLASS DOOR, BOTTOM MOUNT	1	57	G30002	DRAIN FITTING (F)	1
25	G00318C	UPPER SHROUD, 1 GLASS DOOR, BOTTOM MOUNT (MOTAK/CENTAUR)	1	58	G30001	DRAIN PIPE FITTING	1
26	HC00357	KEY-DOOR, LOCK (SOLD IN PACK OF TWO)	1	59	GHC40019	LABEL SUPPORT	3
28	H00321	HINGE, SHROUD UPPER	2	61	NON-STOCKING	TOP COVER PANEL	1
29	H00219-2	CONTROLLER, DIXELL (XR20CX-4R0F1)	1	62	NON-STOCKING	DRAIN Bracket	1
29	H00205	TEMPERATURE SENSOR NTC (118" LENGTH)	1	63	NON-STOCKING	DRAIN HOLDER	1
30	NON-STOCKING	CHANEL, SUCTION LINE COVER	1	64	HC0391	DRAIN TUBING	1
31	HC0142	DRAIN PAN, EVAPORATOR (USE AFTER TO 2204)	1				



Parts List for Model: CR1-27-G-SI-HC

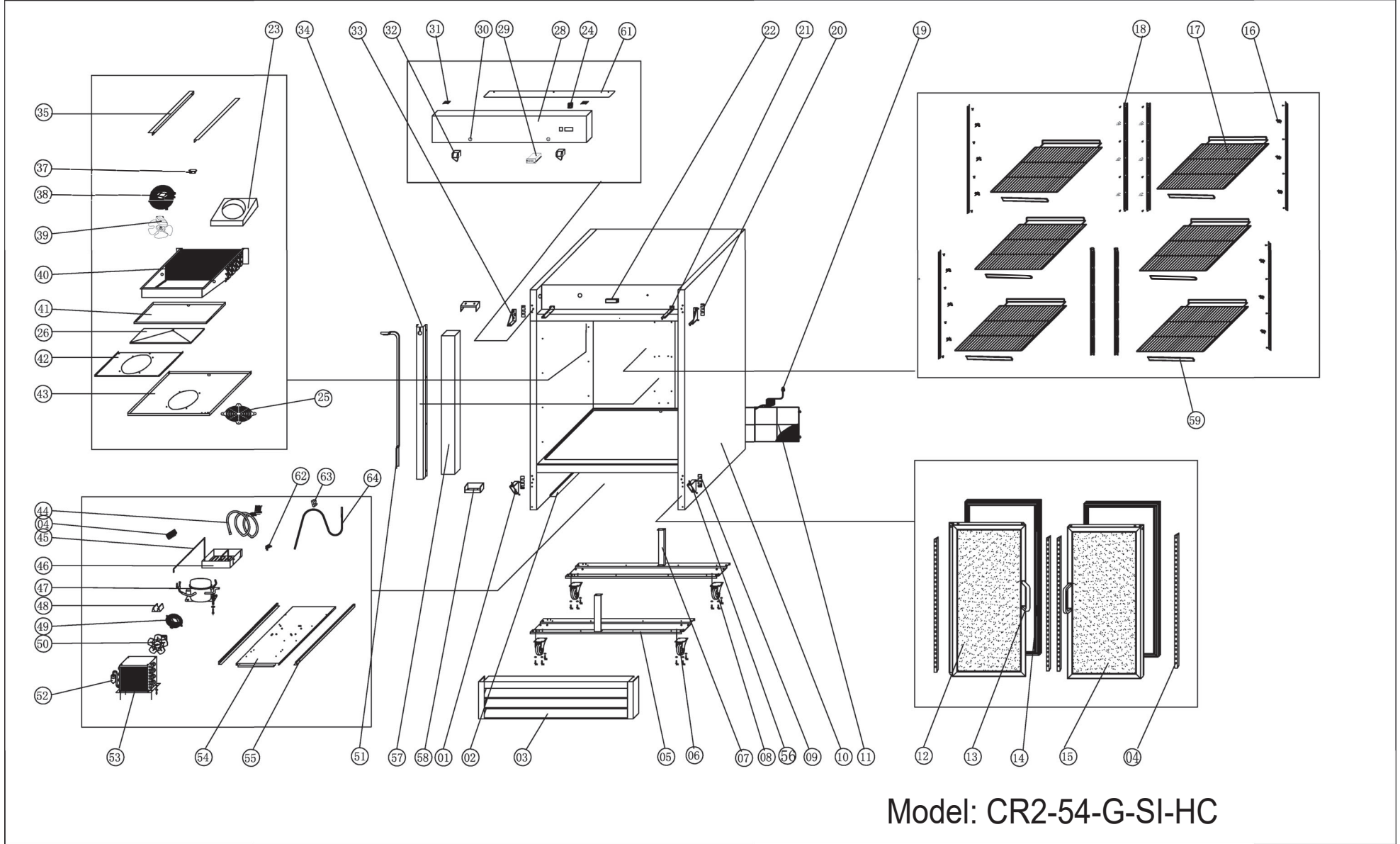
No.	PART #	DESCRIPTION	QTY	No.	PART #	DESCRIPTION	QTY
1	NON-STOCKING	BASE CHANEL	2	32	NON STOCKING	EVAPORATOR SUPPORT	1
2	H00316	CASTER, 4" DIAMETER W/BRAKE	2	34	H03335	SENSOR CLIP	1
3	NON STOCKING	BAFFLE PLATE	1	35	HC000111	EVAPORATOR COIL (HC-27R)	1
4	H00317	CASTER, 4" DIAMETER, W/O BRAKE	2	36	H00112	EVAPORATOR FAN GUARD, WHITE	1
5	H01331	HINGE, BOTOM RIGHT	1	37	H00114-2	EVAPORATOR FAN MOTOR, ECM7108, L=600, 100-120V 50/60HZ, 14W	1
6	H00329	SHIMS, LOWER DOOR HINGES	2	38	H5202004565	MOTOR SUPPORT, EVAP FAN	1
7	NON STOCKING	CABINET	1	39	NON STOCKING	EVAPORATOR COVER, WHITE	1
8	H00313	COVER, LOWER, REAR COMPARTMENT	1	40	HDV0011B	HELIX SUCTION PIPE+CAPILLARY B	1
9	H00308-G	SHELF, LEFT/RIGHT GD (23.62" X 24.33")	4	41	HC0149	SUCTION PIPE	1
10	C3234860	PILASTER SHELF CLIP	12	42	C30014	CONDENSER DRAIN BOX	1
11	H00342	PILASTER	4	43	HC0001F	COMPRESSOR (EM2X3117U) W/ FILTER DRIER	1
12	G20035	HANDLE, GLASS SWING DOOR (NEW HC, FROM DATE CODE 2201)	1	43	HC0001K	START KIT FOR EM2X3117U	1
13	H00324RG	DOOR, GLASS RIGHT	1	43	H00301	CAPILLARY TUBE .055" ID X 196.9" L	1
14	G00400	LED LIGHT STRIP (LEFT)	1	44	NON-STOCKING	DRIER SUPPORT	1
14	G00402	LED LIGHT STRIP (RIGHT)	1	45	RD00111	CONDENSER FAN GRILL	1
15	HC0325-2	GASKET, GLASS DOOR	1	46	H00110	CONDENSER FAN MOTOR, 9W, M4Q045-CA27-04/CA01	1
16	C2194681	POWER CORD, 18AWG/NEMA 5-15P	1	47	HC0347	CONDENSER COIL (G-SS45BT)	1
17	H00329-1	SHIMS, UPPER DOOR HINGES	2	48	HDV008A	VERTICAL SUCTION PIPE+CAPILLARY A	1
18	H01330	HINGE, TOP RIGHT	1	49	H00341	FILTER DRIER	1
18	H01332	HINGE, TOP LEFT	1	50	GHC3014	AIR DUCT	4
19	NON-STOCKING	UPPER SHROUD SUPPORT BRACKET	2	51	H00337G	SHROUD, LOWER 1GD	1
20	GLED003	POWER SUPPLY (LD2006, 24VDC 21.6W)	1	52	NON-STOCKING	COMPRESSOR MOUNTING PANEL	1
21	C2194692	LIGHT SWITCH	1	53	NON-STOCKING	GUIDE RAIL	1
22	H00215	TERMINAL BLOCK, 5 POLE	3	53	NON STOCKING	GUIDE RAIL	1
23	NON STOCKING	SUPPORT PAN	1	54	H01333	HINGE, BOTTOM LEFT	1
24	HC10000	DOOR SWITCH	1	55	H108110138	EVAPORATOR FAN GUARD	1
25	G00318	UPPER SHROUD, 1 GLASS DOOR, BOTTOM MOUNT	1	56	H00336	DRAIN JOINT	1
25	G00318C	UPPER SHROUD, 1 GLASS DOOR, BOTTOM MOUNT (MOTAK/CENTAUR)	1	57	G30002	DRAIN FITTING (F)	1
26	HC00357	KEY-DOOR, LOCK (SOLD IN PACK OF TWO)	1	58	G30001	DRAIN PIPE FITTING	1
28	H00321	HINGE, SHROUD UPPER	2	59	GHC40019	LABEL SUPPORT	3
29	H00219-2	CONTROLLER, DIXELL (XR20CX-4R0F1)	1	61	NON-STOCKING	TOP COVER PANEL	1
29	H00205	TEMPERATURE SENSOR NTC (118" LENGTH)	1	62	NON-STOCKING	DRAIN Bracket	1
30	H00311	CHANEL, SUCTION LINE COVER	1	63	NON-STOCKING	DRAIN HOLDER	1
31	HC0142	DRAIN PAN, EVAPORATOR (USE AFTER TO 2204)	1	64	HC0391	DRAIN TUBING	1



Model: CR2-54-G-HC

Parts List for Model: CR2-54-G-HC

No.	PART #	DESCRIPTION	QTY	No.	PART #	DESCRIPTION	QTY
1	H01333	HINGE, BOTTOM LEFT	1	33	H01332	HINGE, TOP LEFT	1
2	NON STOCKING	BAFFLE PLATE	1	33	H01330	HINGE, TOP RIGHT	1
3	G00337	SHROUD, LOWER 1GD	1	34	NON-STOCKING	CHANEL, SUCTION LINE COVER	1
4	G00400	LED LIGHT STRIP (LEFT)	2	35	NON STOCKING	EVAPORATOR SUPPORT	1
4	G00402	LED LIGHT STRIP (RIGHT)	2	37	H03335	SENSOR CLIP	1
5	NON-STOCKING	BASE CHANEL	2	38	H00112	EVAPORATOR FAN GUARD, WHITE	1
6	H00316	CASTER, 4" DIAMETER W/BRAKE	2	39	H00114-1	EVAPORATOR FAN MOTOR, ECM7108 (ECM7108AAA1DA406) (1082 CFM, 1300 RPM) 100-120V 50/60HZ, 14W	1
7	NON-STOCKING	SUPPORT BRACKET	2	40	HC0351R	EVAPORATOR COIL (HC-54R)	1
8	H00317	CASTER, 4" DIAMETER, W/O BRAKE	2	41	H00143.1	DRAIN PAN, EVAPORATOR 54F (USE AFTER 1409)	1
9	H00329	SHIMS, LOWER DOOR HINGES	2	42	HC0131	MOTOR SUPPORT, EVAP FAN, WHITE (2 DOOR)	1
10	NON STOCKING	CABINET	1	43	H00153	EVAPORATOR COVER, WHITE	1
11	H00314-1	COVER, LOWER, REAR COMPARTMENT (USE AFTER DATE CODE 2201)	1	44	HDV0010B	HELIX SUCTION PIPE+CAPILLARY B	1
11	H00314	COVER, LOWER, REAR COMPARTMENT (USE PRIOR TO DATE CODE 2201)	1	45	HC0149	SUCTION PIPE	1
12	H00324LG	DOOR, GLASS LEFT	1	46	C30014	CONDENSER DRAIN BOX	1
13	G20035	HANDLE, GLASS SWING DOOR (NEW HC, FROM DATE CODE 2201)	2	47	H00039F	COMPRESSOR (EM2X3125U) W/ FILTER DRYER	1
14	HC0325-2	GASKET, GLASS DOOR	2	47	H00228	START KIT FOR EM2X3125U	1
15	H00324RG	DOOR, GLASS RIGHT	1	47	H01302	CAPILLARY TUBE .055" ID X 118.11" L	1
16	C3234860	PILASTER SHELF CLIP	24	48	NON-STOCKING	DRIER SUPPORT	1
17	H00308-G	SHELF, LEFT/RIGHT GD (23.62" X 24.33")	8	49	RD00111	CONDENSER FAN GRILL	1
18	H00342	PILASTER	8	50	H00110	CONDENSER FAN MOTOR, 9W, M4Q045-CA27-04/CA01	1
19	C2194681	POWER CORD, 18AWG/NEMA 5-15P	1	51	H00303	VERTICAL SUCTION PIPE+CAPILLARY A	1
20	H00329-1	SHIMS, UPPER DOOR HINGES	2	52	H00341	FILTER DRIER	1
21	NON-STOCKING	UPPER SHROUD SUPPORT BRACKET	2	53	HC0347	CONDENSER COIL (G-SS45BT)	1
22	GLED003	POWER SUPPLY (LD2006, 24VDC 21.6W)	1	54	NON-STOCKING	COMPRESSOR MOUNTING PANEL	1
23	GHC3014	AIR DUCT	1	55	NON-STOCKING	GUIDE RAIL/Left	1
24	C2194692	LIGHT SWITCH	1	55	NON-STOCKING	GUIDE RAIL/Right	1
25	H00121-1	EVAPORATOR FAN GUARD	1	56	H01331	HINGE, BOTOM RIGHT	1
26	NON STOCKING	SUPPORT PAN	1	57	HC00025	MULLION, CENTER	1
28	GC0319S	UPPER SHROUD, 2 GLASS DOOR, BOTTOM MOUNT (REPLACES GC0319)	1	58	HC00112-1	MULLION BRACKET, MIDDLE (USE AFER DATE CODE 2201)	2
28	GC0319SC	UPPER SHROUD, 2 GLASS DOOR, BOTTOM MOUNT (MOTAK/CENTAUR)	1	59	GHC40018	LABEL SUPPORT	4
29	H00219-2	CONTROLLER, DIXELL (XR20CX-4R0F1)	1	61	NON-STOCKING	TOP COVER PANEL	1
29	H00205	TEMPERATURE SENSOR NTC (118" LENGTH)	1	62	NON-STOCKING	DRAIN Bracket	1
30	HC00357	KEY-DOOR, LOCK (SOLD IN PACK OF TWO)	2	63	NON-STOCKING	DRAIN HOLDER	1
31	H00321	HINGE, SHROUD UPPER	2	64	HC0391	DRAIN TUBING	1
32	HC10000	DOOR SWITCH	1				



Parts List for Model: CR2-54-G-SI-HC

No.	PART #	DESCRIPTION	QTY	No.	PART #	DESCRIPTION	QTY
1	H01333	HINGE, BOTTOM LEFT	1	33	H01332	HINGE, TOP LEFT	1
2	NON STOCKING	BAFFLE PLATE	1	33	H01330	HINGE, TOP RIGHT	1
3	G00337	SHROUD, LOWER 1GD	1	34	H00311	CHANEL, SUCTION LINE COVER	1
4	G00400	LED LIGHT STRIP (LEFT)	2	35	NON STOCKING	EVAPORATOR SUPPORT	1
4	G00402	LED LIGHT STRIP (RIGHT)	2	37	H03335	SENSOR CLIP	1
5	NON-STOCKING	BASE CHANEL	2	38	H00112	EVAPORATOR FAN GUARD, WHITE	1
6	H00316	CASTER, 4" DIAMETER W/BRAKE	2	39	H00114-1	EVAPORATOR FAN MOTOR, ECM7108 (ECM7108AAA1DA406) (1082 CFM, 1300 RPM) 100-120V 50/60HZ, 14W	1
7	NON-STOCKING	SUPPORT BRACKET	2	40	HC0351R	EVAPORATOR COIL (HC-54R)	1
8	H00317	CASTER, 4" DIAMETER, W/O BRAKE	2	41	H00143.1	DRAIN PAN, EVAPORATOR 54F (USE AFTER 1409)	1
9	H00329	SHIMS, LOWER DOOR HINGES	2	42	HC0131	MOTOR SUPPORT, EVAP FAN, WHITE (2 DOOR)	1
10	NON STOCKING	CABINET	1	43	H00153S	EVAPORATOR COVER, WHITE (SI)	1
11	H00314-1	COVER, LOWER, REAR COMPARTMENT (USE AFTER DATE CODE 2201)	1	44	HDV0010B	HELIX SUCTION PIPE+CAPILLARY B	1
11	H00314	COVER, LOWER, REAR COMPARTMENT (USE PRIOR TO DATE CODE 2201)	1	45	HC0149	SUCTION PIPE	1
12	H00324LG	DOOR, GLASS LEFT	1	46	C30014	CONDENSER DRAIN BOX	1
13	G20035	HANDLE, GLASS SWING DOOR (NEW HC, FROM DATE CODE 2201)	2	47	H00039F	COMPRESSOR (EM2X3125U) W/ FILTER DRYER	1
14	HC0325-2	GASKET, GLASS DOOR	2	47	H00228	START KIT FOR EM2X3125U	1
15	H00324RG	DOOR, GLASS RIGHT	1	47	H01302	CAPILLARY TUBE .055" ID X 118.11" L	1
16	C3234860	PILASTER SHELF CLIP	24	48	NON-STOCKING	DRIER SUPPORT	1
17	H00308-G	SHELF, LEFT/RIGHT GD (23.62" X 24.33")	8	49	RD00111	CONDENSER FAN GRILL	1
18	H00342	PILASTER	8	50	H00110	CONDENSER FAN MOTOR, 9W, M4Q045-CA27-04/CA01	1
19	C2194681	POWER CORD, 18AWG/NEMA 5-15P	1	51	H00303	VERTICAL SUCTION PIPE+CAPILLARY A	1
20	H00329-1	SHIMS, UPPER DOOR HINGES	2	52	H00341	FILTER DRIER	1
21	NON-STOCKING	UPPER SHROUD SUPPORT BRACKET	2	53	HC0347	CONDENSER COIL (G-SS45BT)	1
22	GLED003	POWER SUPPLY (LD2006, 24VDC 21.6W)	1	54	NON-STOCKING	COMPRESSOR MOUNTING PANEL	1
23	GHC3014	AIR DUCT	1	55	NON-STOCKING	GUIDE RAIL/Left	1
24	C2194692	LIGHT SWITCH	1	55	NON-STOCKING	GUIDE RAIL/Right	1
25	H108110138	EVAPORATOR FAN GUARD	1	56	H01331	HINGE, BOTOM RIGHT	1
26	NON STOCKING	SUPPORT PAN	1	57	HC00025S	MULLION, CENTER (SI)	1
28	GC0319S	UPPER SHROUD, 2 GLASS DOOR, BOTTOM MOUNT (REPLACES GC0319)	1	58	HC00112-1	MULLION BRACKET, MIDDLE (USE AFER DATE CODE 2201)	2
28	GC0319SC	UPPER SHROUD, 2 GLASS DOOR, BOTTOM MOUNT (MOTAK/CENTAUR)	1	59	GHC40018	LABEL SUPPORT	4
29	H00219-2	CONTROLLER, DIXELL (XR20CX-4R0F1)	1	61	NON-STOCKING	TOP COVER PANEL	1
29	H00205	TEMPERATURE SENSOR NTC (118" LENGTH)	1	62	NON-STOCKING	DRAIN Bracket	1
30	HC00357	KEY-DOOR, LOCK (SOLD IN PACK OF TWO)	2	63	NON-STOCKING	DRAIN HOLDER	1
31	H00321	HINGE, SHROUD UPPER	2	64	HC0391	DRAIN TUBING	1
32	HC10000	DOOR SWITCH	1				



PARTS LIST
FOR REACH-IN MODELS:
CR1-27-G-HC, CR1-27-G-SI-HC, CR2-54-G-HC,
CF2-54-G-SI-HC



For Parts please Call (704) 900-2068

Revision Date: January 10, 2025