



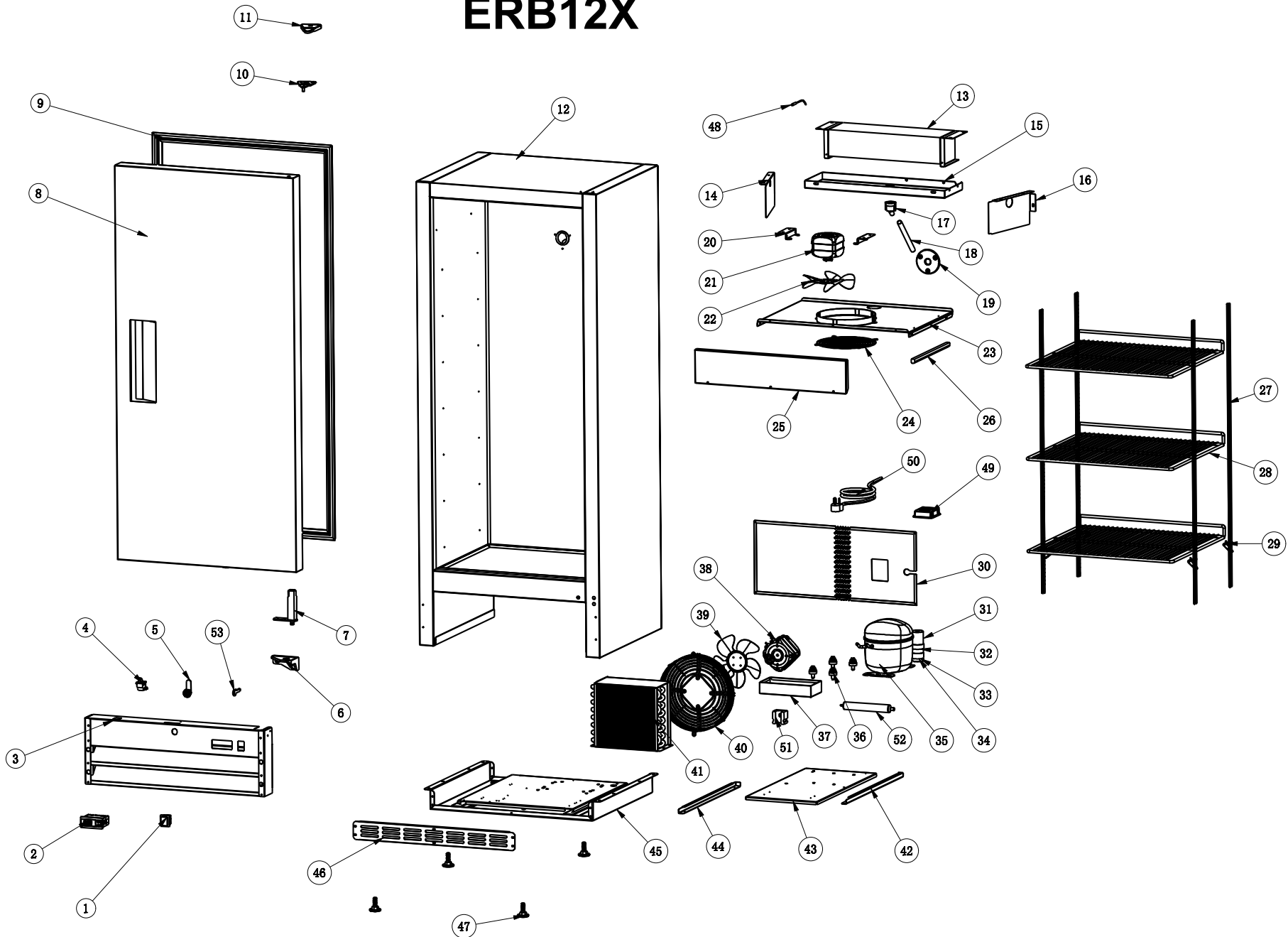
PART LIST FOR REACH-IN MODELS: ERB12X, EFB12X, ERB19X, EFB19X ERB35X, AND EFB35X



For Parts Call 704-900-2068, Option #2

Revision 12-31-24

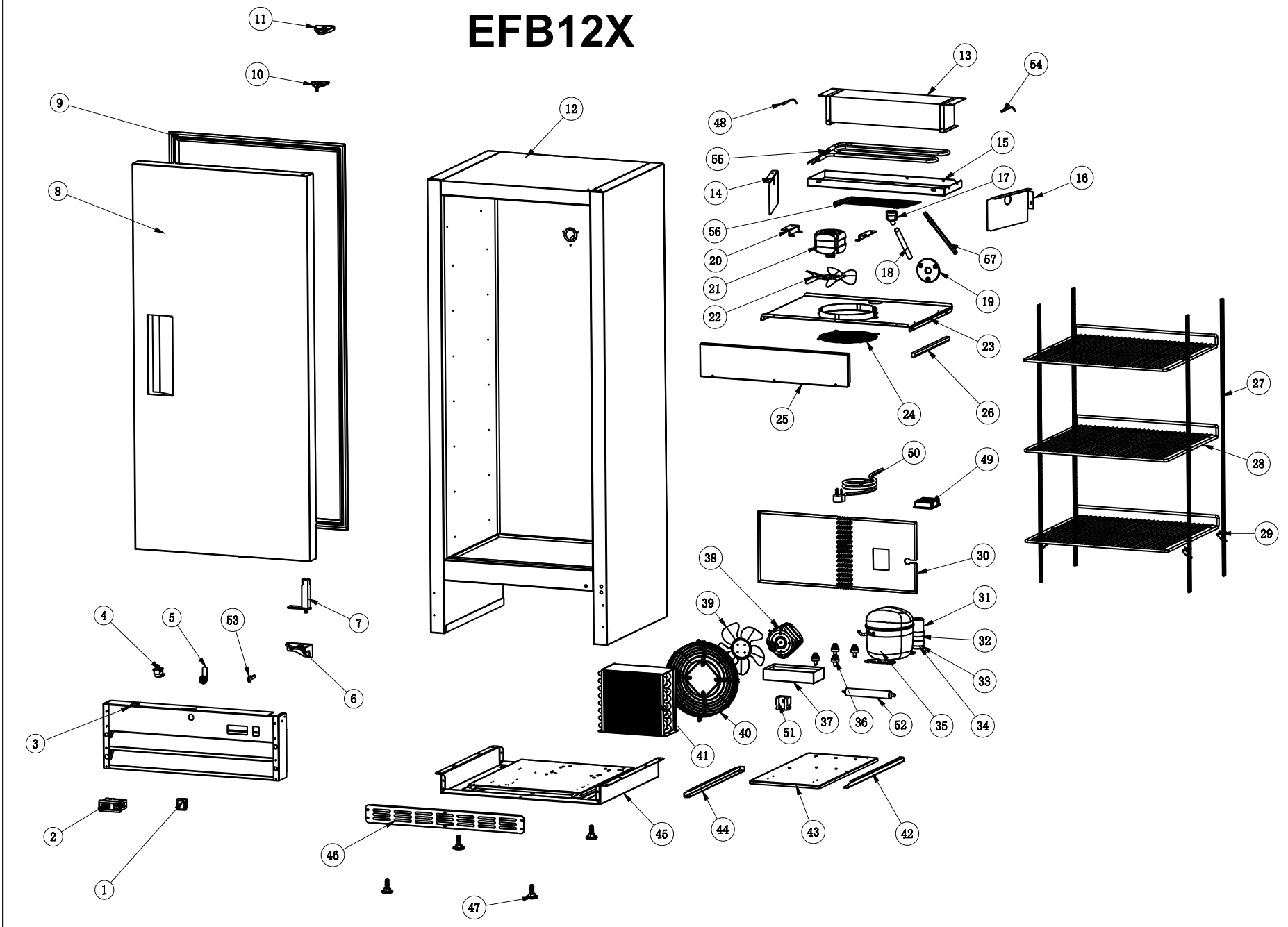
ERB12X



PARTS LIST ERB12X

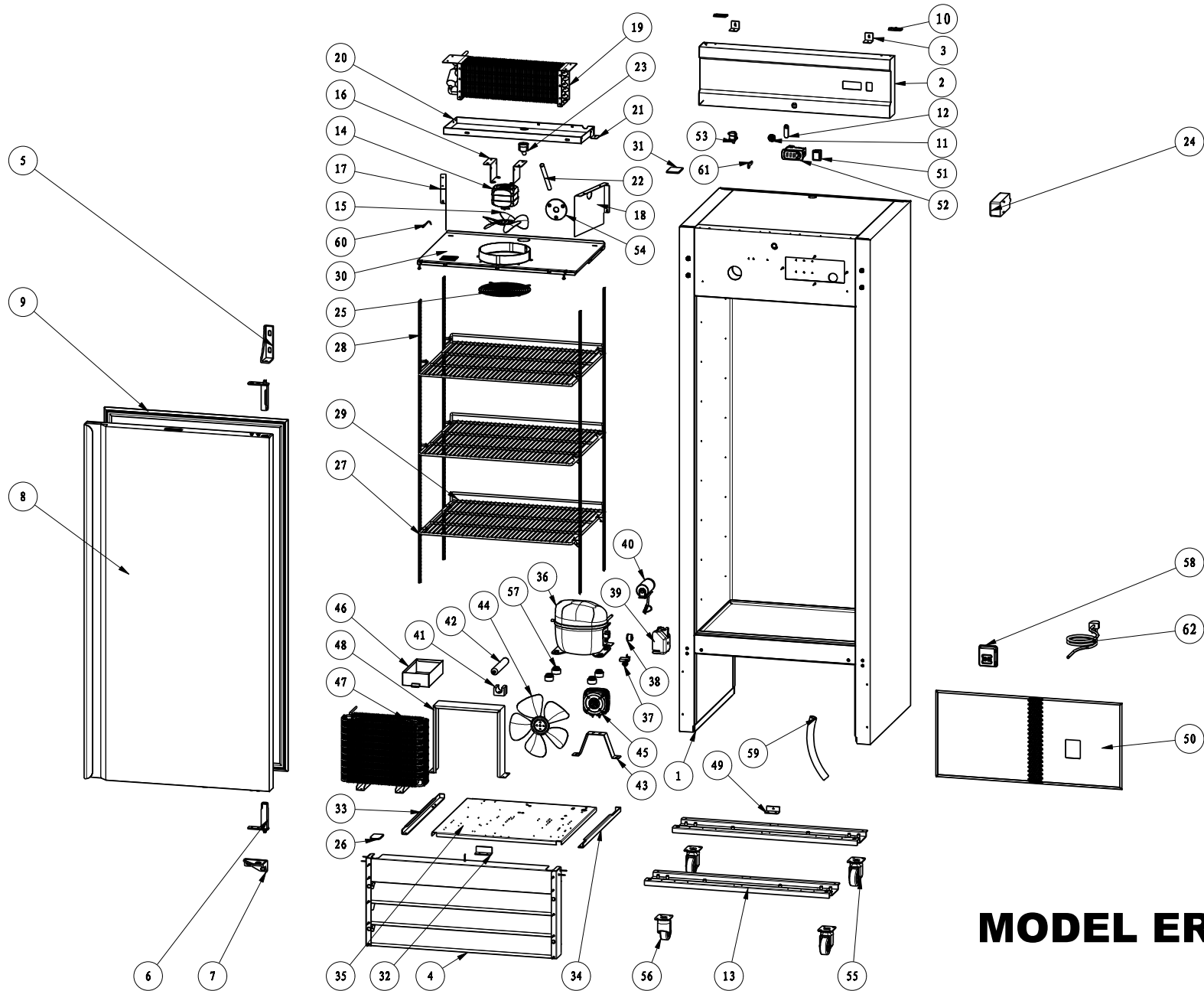
No.	PART #	DESCRIPTION	QTY	No.	PART #	DESCRIPTION	QTY
1	XRI0056	POWER SWITCH (RED)	1	29	X5302000003	SHELF CLIP	12
2	XRI0060	THERMOSTAT (XR03CX-4N0F1/115V)	1	30	XRI1200	BACK GRILL	1
3	X2199001849	SHROUD, LOWER FRONT	1	31	SEE #35		1
4	X-2194677	DOOR SWITCH	1	32	SEE #35		1
5	XX-H00340	LOCK & SET OF 2 KEYS	1	33	SEE #35		1
6	XX-BRH005	HINGE, BOTTOM RIGHT	1	34	SEE #35		1
7	XX-DC0328	HINGE CARTRIDGE, SELF CLOSING	1	35	X17202163113	COMPRESSOR C/W STARTING COMPONENTS (EM2X3113U/115V/60Hz/R290) INTERCHANGEABLE WITH XX-HC0024	1
8	XRI0023-12	DOOR W/SS HANDLE (ENTRÉE)	1	35	X17202163113K	STARTING COMPONENTS FOR EM2X3113U	1
8	XRI0023-12SI	DOOR W/SS HANDLE & INTERIOR DOOR LINER (ENTRÉE SI)		35	XX-HC0024	COMPRESSOR C/W STARTING COMPONENTS (NUT45NR/115V/60Hz/R290)	1
9	XRI0112	DOOR GASKET (49" X 23.26")	1	35	XX-HC0024K	STARTING COMPONENTS FOR NUT45NR	1
10	X12518014790	HINGE, UPPER RIGHT	1	*	X250009	CAP TUBE (.035" I.D. X 98.5" L)	1
11	UC0014	UPPER RIGHT HINGE COVER	1	36	NON STOCKING	FASTENER	4
12	NONSTOCKING	CABINET	1	37	X16316130006	DRAIN PAN OUTER (9.7' X 3.9' X 3')	1
13	XRI0712	EVAPORATOR (4R5K390L)	1	38	X22752500021	CONDENSER FAN MOTOR (REPLACED WITH XRI0083 JUNE 2021)	1
14	NONSTOCKING	LEFT GUIDE	1	38	XRI0083	EVAPORATOR / CONDENSER FAN MOTOR (YZF6-13-26) 1550RPM (REPLACES XX-EFM023 AS OF JUNE 2021, PARTS ARE INTERCHANGEABLE)	1
15	X2199001853	INNER DRAIN PAN	1	39	X16381738052	BLADE OF FAN MOTOR	1
16	NONSTOCKING	RIGHT GUIDE	1	40	XRI0120	CONDENSER FAN MOTOR GUARD	1
17	XRI0074	ELBOW PIPE	1	41	X17306100231	CONDENSER (6R10K230L)	1
18	XRI0071	DRAIN HOSE	1	42	X2199001174	RIGHT TRACK	1
19	XX001387	DRAIN PLUG	1	43	X2199001181	COMPRESSOR PANEL	1
20	NONSTOCKING	EVAPORATOR FAN MOTOR BRACKET	1	44	X2199001175	LEFT TRACK	1
21	X22752500021	CONDENSER FAN MOTOR (REPLACED WITH XRI0083 JUNE 2021)	1	45	NONSTOCKING	BASE PANEL	1
21	XRI0083	EVAPORATOR / CONDENSER FAN MOTOR (YZF6-13-26) 1550RPM (REPLACES XX-EFM023 AS OF JUNE 2021, PARTS ARE INTERCHANGEABLE)	1	46	NONSTOCKING	LOUVERED PANEL	1
22	X16381738052	BLADE OF FAN MOTOR	1	47	X12534030002	LEVELING FEET	4
23	X2199001856	EVAPORATOR COVER	1	48	XRI0034	EVAPORATOR TEMPERATURE SENSOR (NTC TYPE, 158" BLACK)	1
24	X12504050151	EVAP FAN MOTOR COVER	1	49	XDVR000259	L.E.D. DRIVER (VD-12015A0281)	1
25	NONSTOCKING	EVAPORATOR COVER 2	1	50	XX-2194684	POWER CORD NEMA-5-15P 16AWG, APPX 8"; LONG	1
26	XRI0800	L.E.D. LIGHT (AUDIO STYLE, PW3W-18A/300MM) (REPLACED BY XRI0800, INTERCHANGEABLE)	1	51	XX-H00346	FILTER BRACKET	1
26	XLED410164	L.E.D. LIGHT (AUDIO STYLE, PW3W-18A/300MM) (REPLACES XLED410164, INTERCHANGEABLE)	1	52	XX-H00341	FILTER DRIER	1
27	X2199001200	K STRIP	4	53	XX-H00340	LOCK & SET OF 2 KEYS	1
28	X12502013371	SHELF (20.2" X 17.7")	3	*	NOT SHOWN		

EFB12X



PARTS LIST EFB12X

No.	PART #	DESCRIPTION	QTY	No.	PART #	DESCRIPTION	QTY
1	XRI0056	POWER SWITCH (RED)	1	31	SEE #35		1
2	XRI0059	THERMOSTAT (DIXELL XR06CX-4N0C1-XX)	1	32	SEE #35		1
3	X2199001849	SHROUD, LOWER FRONT	1	33	SEE #35		1
4	X-2194677	DOOR SWITCH (USED PRIOR TO JUNE 2021)	1	34	SEE #35		1
4	XRI0300	DOOR SWITCH (USE AFTER JUNE 2021 - INTERCHANGEABLE WITH X-2194677)	1	35	XX-HC0012	COMPRESSOR C/W STARTING COMPONENTS (NUT90LR/115V/60Hz/R290)	1
5	XX-H00340	LOCK & SET OF 2 KEYS	1	35	XX-HC0012K	STARTING COMPONENTS FOR NUT90LR	1
6	XX-BRH005	HINGE, BOTTOM RIGHT	1	*	X330009	CAP TUBE (0.035" I.D. X 130" LONG)	1
7	XX-DC0328	HINGE CARTRIDGE, SELF CLOSING	1	36	NON STOCKING	FASTENER	4
8	XRI0023-12	DOOR W/SS HANDLE (ENTRÉE)	1	37	X16316130006	DRAIN PAN OUTER (9.7' X 3.9' X 3')	1
8	XRI0023-12SI	DOOR W/SS HANDLE & INTERIOR DOOR LINER (ENTRÉE SI)	1*	38	XRI120013	FAN MOTOR (ECM7108/115V/5W)	1
9	XRI0112	DOOR GASKET (49" X 23.26")	1	39	X16381738052	BLADE OF FAN MOTOR	1
10	X12518014790	HINGE, UPPER RIGHT	1	40	XRI0120	CONDENSER FAN MOTOR GUARD/COVER	1
11	UC0014	UPPER RIGHT HINGE COVER	1	41	XC080202	CONDENSER COIL (3R8K200L)	1
12	NONSTOCKING	CABINET	1	42	X2199001174	RIGHT TRACK	1
13	XRI0712	EVAPORATOR (4R5K390L)	1	43	X2199001181	COMPRESSOR PANEL	1
14	NONSTOCKING	LEFT GUIDE	1	44	X2199001175	LEFT TRACK	1
15	X2199001853	INNER DRAIN PAN	1	45	NONSTOCKING	BASE PANEL	1
16	NONSTOCKING	RIGHT GUIDE	1	46	NONSTOCKING	LOUVERED PANEL	1
17	XRI0074	ELBOW PIPE	1	47	X12534030002	LEVELING FEET	4
18	XRI0071	DRAIN HOSE	1	48	XRI0034	EVAPORATOR TEMPERATURE SENSOR (NTC TYPE, 158" BLACK)	1
19	XX001387	DRAIN PLUG	1	49	XDVR000259	L.E.D. DRIVER (VD-12015A0281)	1
20	NONSTOCKING	EVAPORATOR FAN MOTOR BRACKET	1	50	XRI0054	POWER CORD, NEMA 5-15P (14 AWG, APPX 8" LONG) (REPLACED BY XX-2194684, INTERCHANGEABLE)	1
21	XRI120013	FAN MOTOR (ECM7108/115V/5W)	1	50	XX-2194684	POWER CORD NEMA-5-15P 16AWG, APPX 8"; LONG (REPLACES XRI0054, INTERCHANGEABLE)	1
22	X16381738052	BLADE OF FAN MOTOR	1	51	XX-H00346	FILTER BRACKET	1
23	X2199001856	EVAPORATOR COVER	1	52	XX-H00341	FILTER DRIER	1
24	X12504050151	EVAP FAN MOTOR COVER	1	53	XX-H00340	LOCK & SET OF 2 KEYS	1
25	NONSTOCKING	EVAPORATOR COVER 2	1	54	XRI0033	EVAPORATOR TEMPERATURE SENSOR (NTC TYPE, 158" BLACK)	1
26	XRI0800	L.E.D. LIGHT (AUDIO STYLE, PW3W-18A/300MM) (REPLACED BY XLED410164, INTERCHANGEABLE)	1	55	XRI0021	DEFROST HEATER (REPLACED BY XRI0021-1 AS OF JUNE 2021, PARTS ARE INTERCHANGEABLE)	1
26	XLED410164	L.E.D. LIGHT (AUDIO STYLE, PW3W-18A/300MM) (REPLACES XRI0800, INTERCHANGEABLE)	1	55	XRI0021-1	DEFROST HEATER (REPLACES XRI0021 OLD IS INTERCHANGEABLE WITH NEW)	1
27	X2199001200	K_STRIP	4	56	XRI0250	DRAIN PAN HEATER (18.5" X 7" - 50W) (REPLACED BY XRI0250-1, PARTS ARE INTERCHANGEABLE)	1
28	X12502013371	SHELF (20.2" X 17.7")	3	56	XRI0250-1	DRAIN PAN HEATER (18.5" X 7" - 50W) (REPLACES XRI0250, PARTS ARE INTERCHANGEABLE)	1
29	X5302000003	SHELF CLIP	12	57	XRI0210	DRAIN HOSE HEATER (19" - 115VAC/10W)	1
30	XRI1200	BACK GRILL	1	*	NOT SHOWN		

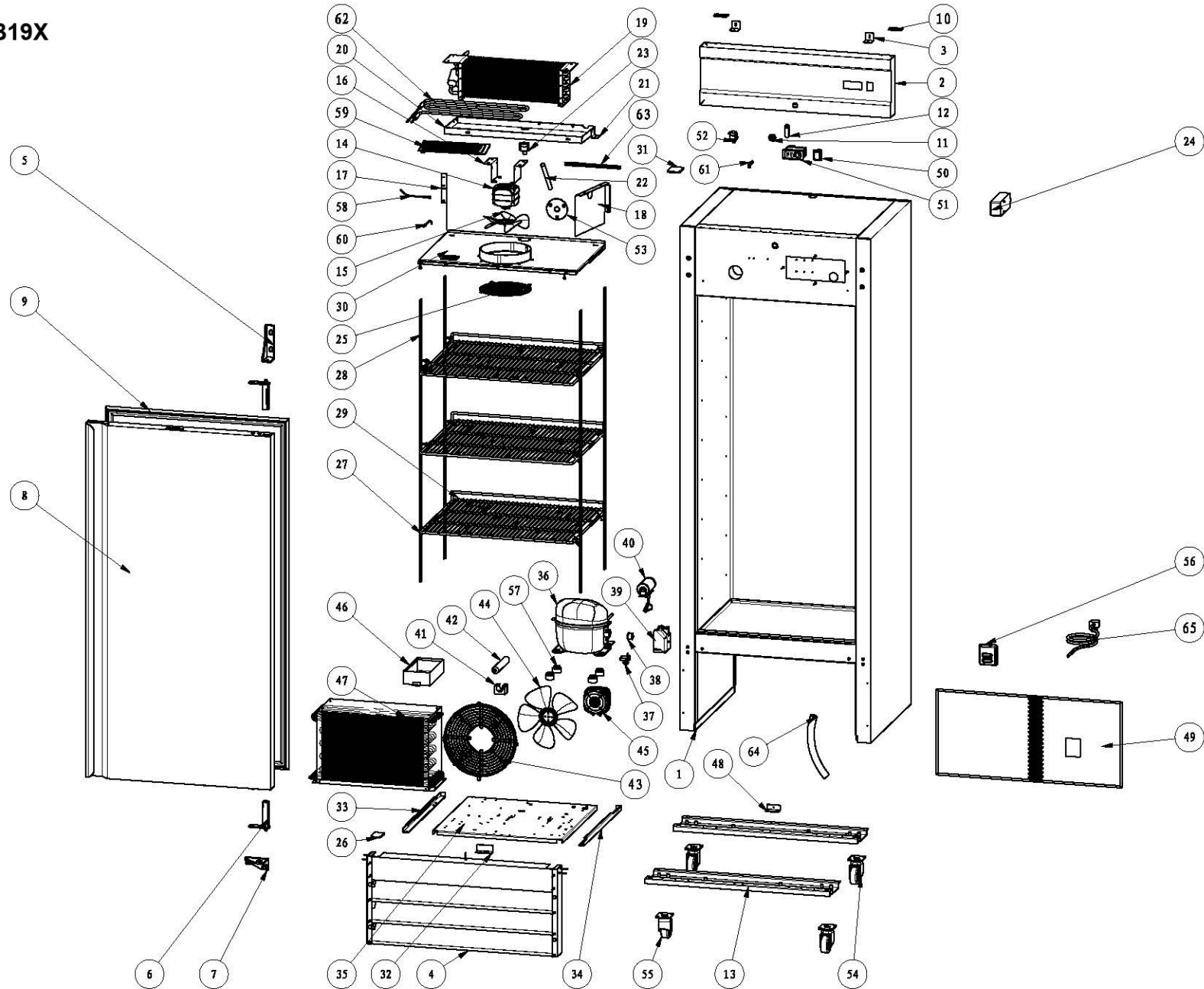


MODEL ERB19X

PARTS LIST ERB19X

No.	PART #	DESCRIPTION	QTY	No.	PART #	DESCRIPTION	QTY
1	NONSTOCKING	CABINET	1	33	NONSTOCKING	LEFT TRACK	1
2	X2199001422	SHROUD, UPPER	1	34	NON STOCKING	RIGHT TRACK	1
2	X2199001422M	SHROUD, UPPER (MOTAK VERSION)	OPT	35	NON STOCKING	COMPRESSOR PANEL	1
2	X2199001422K	SHROUD, UPPER (KINTERA VERSION)	OPT	36	XX-HC0001	COMPRESSOR C/W STARTING COMPONENTS (EM2X3117U/115V/R290)	1
3	NONSTOCKING	CONTROL PANEL BRACKET	2	36	XX-STARTKITHC1	STARTING COMPONENTS FOR EM2X3117U	1
4	X2199001374	LOWER FRONT SHROUD (1 DOOR)	1	36	XX-HC0024	COMPRESSOR C/W STARTING COMPONENTS (NUT45NR/115V/60Hz/R290) (USE FROM JUNE 2021 - INTERCHANGEABLE WITH PREVIOUS)	1
5	XX-URH005	HINGE, UPPER RIGHT	1	36	XX-HC0024K	STARTING COMPONENTS FOR NUT45NR (USE FROM JUNE 2021 - INTERCHANGEABLE WITH PREVIOUS)	1
6	XX-DC0328	HINGE CARTRIDGE, SELF CLOSING	2	37	SEE START KIT	STARTER	1
7	XX-BRH005	HINGE, BOTTOM RIGHT	1	38	SEE START KIT	OVERLOAD PROTECTOR	1
8	XRI0023	DOOR, SOLID	1	39	SEE START KIT	SPLICE BOX	1
8	XRI0023-SI	DOOR W/SS HANDLE & INTERIOR DOOR LINER (ENTRÉE SI)	OPT	40	SEE START KIT	START CAPACITOR	1
9	XRI0040	DOOR GASKET (52.28" X 26.85")	1	41	XX-H00345	FILTER BRACKET	1
10	XRI0084	HINGE, UPPER SHROUD	1	42	XX-H00341	FILTER DRIER	1
11	XX-H00340	LOCK & SET OF 2 KEYS	1	*	X250009	CAP TUBE (.035" I.D. X 98.5" L)	1
12	SEE LOCK	LOCK BOLT	1	43	X2199001370	CONDENSER FAN MOTOR BRACKET	1
13	NONSTOCKING	BASE CHANEL	2	44	XRI0015	BLADE, FAN MOTOR (REPLACED WITH XEFMB023 AS OF JUNE 2021)	1
14	XX-EFM023	EVAPORATOR FAN MOTOR W/BLADE (YZF-6-13-26) (REPLACED BY XRI0083 AS OF JUNE 2021) PARTS ARE INTERCHANGEABLE.	1	44	X16381738052	BLADE OF FAN MOTOR (USE AFTER TO JUNE 2021)	1
14	XRI0083	EVAPORATOR / CONDENSER FAN MOTOR (YZF6-13-26) 1550RPM (REPLACES XX-EFM023 AS OF JUNE 2021, PARTS ARE INTERCHANGEABLE)	1	45	XX-EFM024	EVAPORATOR FAN MOTOR (OBS, REPLACED WITH XRI000032, INTERCHANGEABLE WITH NEW)	1
15	X16381738052	BLADE OF FAN MOTOR	1	45	XRI0083	EVAPORATOR / CONDENSER FAN MOTOR (YZF6-13-26) 1550RPM (REPLACES XX-EFM023 AS OF JUNE 2021, PARTS ARE INTERCHANGEABLE)	1
15	XEFMB023	BLADE, FAN MOTOR (REPLACES XRI0015 AS OF JUNE 2021)	1	46	XRI0090	CONDENSER DRAIN PAN (12.5" X 4.3" X 1.6") (USE PRIOR TO JUNE 2021)	1
16	NONSTOCKING	EVAPORATOR FAN MOTOR BRACKET	1	46	X16316130008	DRAIN PAN OUTER (7.6" X 6.75" X 3") (USE AFTER JUNE 2021)	1
17	NONSTOCKING	RIGHT GUIDE	1	47	XRI0119R	CONDENSER (USE PRIOR TO MARCH 2021)	1
18	NONSTOCKING	LEFT GUIDE	1	47	XRI200501	CONDENSER COIL (4R8K210L) (USED AFTER MARCH 2022 - INTERCHANGEABLE WITH PREVIOUS COIL)	1
19	XRI0719R	EVAPORATOR (6R4K369L) (USE TO JUNE 2021)	1	48	NON STOCKING	AIR GUIDE SHEET	1
19	XRI070370	COIL (4R7K370L) (USED FROM JUNE 2021)	1	49	NONSTOCKING	BACK GRILL BRACKET	1
20	X2199001363	INNER DRAIN PAN (USE TO JUNE 2021)	1	50	XRI0002	BACK GRILL (USE PRIOR TO JUNE 2021, REPLACED WITH XRI0002-2)	1
20	XRI180148	INNER DRAIN PAN (USE FROM JUNE 2021)	1	50	XRI0002-2	BACK GRILL (USE AFTER JUNE 2021)	1
21	NONSTOCKING	INNER DRAIN PAN BRACKET	1	51	XRI0056	POWER SWITCH (RED)	1
22	XRI0071	DRAIN HOSE	1	52	XRI0060	THERMOSTAT (XR03CX-4N0F1/115VAC)	1
23	XRI0074	ELBOW PIPE	1	53	X-2194677	DOOR SWITCH (USED PRIOR TO JUNE 2021)	1
24	XRI0048-HC	LIGHT COMPONENTS	1	53	XRI0300	DOOR SWITCH (USE AFTER JUNE 2021 - INTERCHANGEABLE WITH X-2194677)	1
25	X12504050151	EVAP FAN MOTOR COVER (USE TO JUNE 2021)	1	54	XX001387	DRAIN PLUG	1
25	XRI0076	EVAP FAN MOTOR COVER (USE FROM JUNE 2021)	1	55	XX-SC0319	4" CASTER W/O BRAKE	2
26	XRI0003	TOP/BOTTOM COVER FOR REVERSIBLE DOOR	1	56	XX-SCB319	4" CASTER W/BRAKE	2
27	X5302000003	SHELF CLIP	12	57	NON STOCKING	COMPRESSOR FASTENER	4
28	XRI0005	K_STRIP	4	58	NONSTOCKING	POWER CORD BASE	1
29	X12502013323	SHELF (23.4" X 19.3")	3	59	XRI0024	DRAIN HOSE	1
30	X2199001365	EVAPORATOR COVER (USE TO JUNE 2021)	1	60	XRI0039	EVAPORATOR TEMPERATURE SENSOR (NTC TYPE, 118" LONG)	1
30	XRI601740	EVAPORATOR COVER (USE FROM JUNE 2021)	1	61	XX-H00340	LOCK & SET OF 2 KEYS	1
31	XRI0003	TOP/BOTTOM COVER FOR REVERSIBLE DOOR	1	62	XRI0054	POWER CORD, NEMA 5-15P (14 AWG, APPX 8" LONG) (USE PRIOR TO JUNE 2021 - INTERCHANGEABLE WITH XRI0054)	1
32	NON STOCKING	STOP BLOCK	1	62	XX-2194684	POWER CORD NEMA-5-15P (16AWG, APPX 8"; LONG) (USE AFTER JUNE 2021 - INTERCHANGEABLE WITH XRI0054)	1

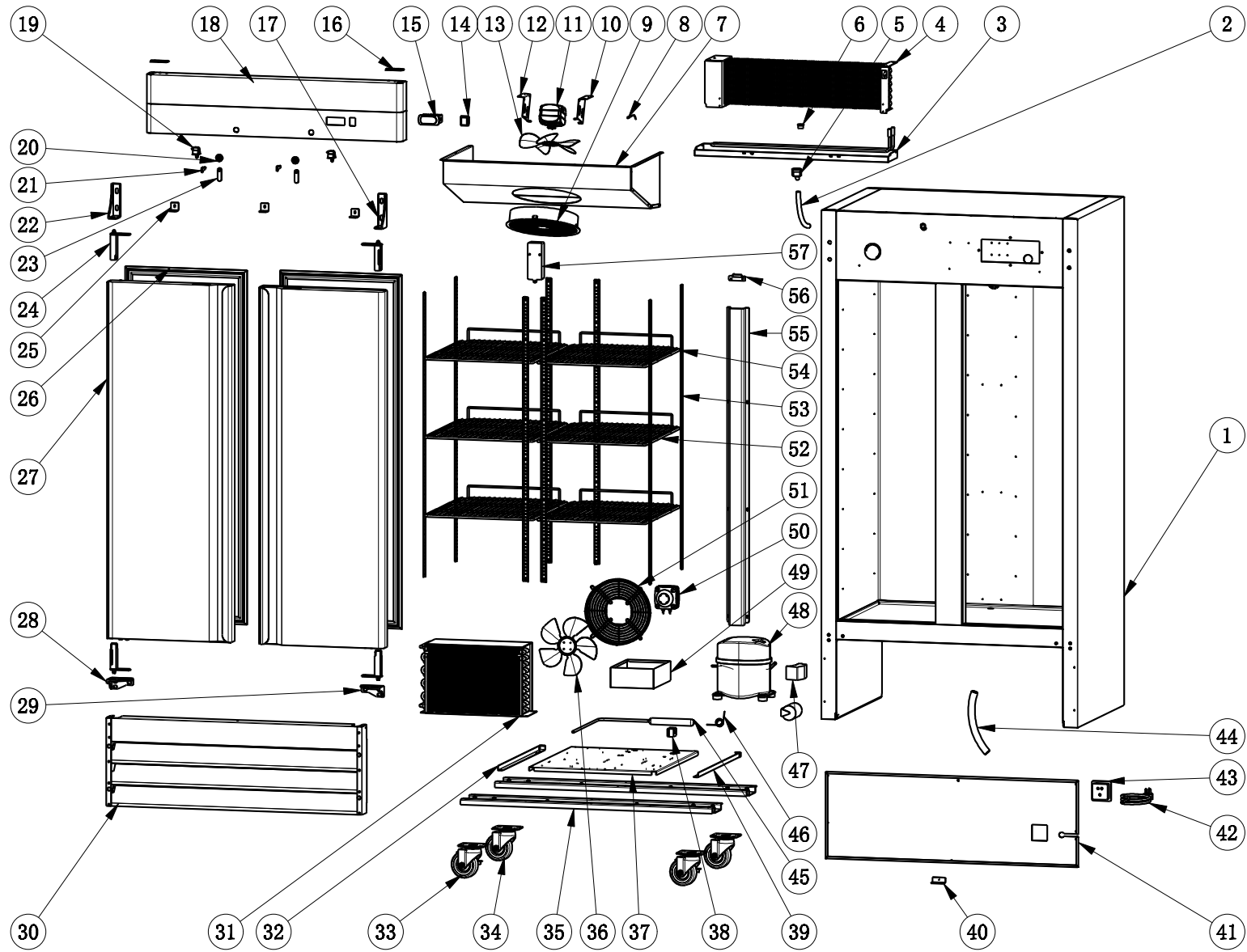
EFB19X



PARTS LIST EFB19X

No.	PART #	DESCRIPTION	QTY	No.	PART #	DESCRIPTION	QTY
1	NONSTOCKING	CABINET	1	35	NON STOCKING	COMPRESSOR PANEL	1
2	X2199001422	SHROUD, UPPER	1	36	XX-HC0018	COMPRESSOR C/W STARTING COMPONENTS (EMC3134U/115VAC/60HZ/R290)	1
2	X2199001422M	SHROUD, UPPER (MOTAK VERSION)	OPT	36	XX-HC0018K	STARTING COMPONENTS FOR EMC3134U	1
2	X2199001422K	SHROUD, UPPER (KINTERA VERSION)	OPT	36	XX-HC0012	COMPRESSOR C/W STARTING COMPONENTS (NUT90LR/115V/60Hz/R290) (USED AFTER JUNE 2021, INTERCHANGEABLE WITH PRIOR XX-HC0018)	1
3	NONSTOCKING	CONTROL PANEL BRACKET	2	36	XX-HC0012K	STARTING COMPONENTS FOR NUT90LR (USED AFTER JUNE 2021, INTERCHANGEABLE WITH PRIOR XX-HC0018)	1
4	X2199001374	LOWER FRONT SHROUD (1 DOOR)	1	37	SEE START KIT	STARTER	1
5	XX-URH005	HINGE, UPPER RIGHT	1	38	SEE START KIT	OVERLOAD PROTECTOR	1
6	XX-DC0328	HINGE CARTRIDGE, SELF CLOSING	2	39	SEE START KIT	SPLICE BOX	1
7	XX-BRH005	HINGE, BOTTOM RIGHT	1	40	SEE START KIT	START CAPACITOR	1
8	XRI0023	DOOR, W/SS HANDLE (STANDARD INTERIOR)	1	*	X400010	CAP TUBE (CAP TUBE .039" I.D. X 157.5 L)	1
8	XRI0023-SI	DOOR W/SS HANDLE & INTERIOR DOOR LINER (ENTRÉE SI)	OPT	41	XX-H00345	FILTER BRACKET	1
9	XRI0040	DOOR GASKET (52.28" X 26.85")	1	42	XX-H00341	FILTER DRIER	1
10	XRI0084	HINGE, UPPER SHROUD	1	43	XRI0122	CONDENSER FAN MOTOR GUARD/COVER (USE PRIOR TO JUNE 2021, INTERCHANGEABLE WITH NEW XRI0122-1)	1
11	XX-H00340	LOCK & SET OF 2 KEYS	1	43	XRI0122-1	CONDENSER FAN COVER (USE AFTER JUNE 2021)	1
12	SEE LOCK	LOCK BOLT	1	44	XRI0015	BLADE, FAN MOTOR (REPLACED WITH XEFMB023 AS OF JUNE 2021)	1
13	NONSTOCKING	BASE CHANEL	2	45	XX-EFM024	EVAPORATOR FAN MOTOR (OBS, REPLACED WITH XRI000032, INTERCHANGEABLE WITH NEW)	1
14	XX-EFM023	EVAPORATOR FAN MOTOR W/BLADE (YZF-6-13-26) (REPLACED BY XRI0083 AS OF JUNE 2021) PARTS ARE INTERCHANGEABLE.	1	45	XRI000032	FAN MOTOR (YZ10-20/10/55) (Alternate for X17701000014) (BLADE #XRI0015 SOLD SEPARATELY)	1
14	XRI0083	EVAPORATOR / CONDENSER FAN MOTOR (YZF6-13-26) 1550RPM (REPLACES XX-EFM023 AS OF JUNE 2021, PARTS ARE INTERCHANGEABLE)	1	46	X16316130006	DRAIN PAN OUTER (9.7" X 3.9" X 3") (USED PRIOR TO JUNE 2021)	1
15	X16381738052	BLADE OF FAN MOTOR (USE PRIOR TO JUNE 2021)	1	46	X16316130008	DRAIN PAN OUTER (7.6" X 6.75" X 3") (USE AFTER JUNE 2021)	1
15	XEFMB023	BLADE, FAN MOTOR (REPLACES XRI0015 AS OF JUNE 2021)	1	47	XRI0119F	CONDENSER (6R11K430L) (USE PRIOR TO JUNE 2021)	1
16	NONSTOCKING	EVAPORATOR FAN MOTOR BRACKET	1	47	XRI0119F-1	CONDENSER (3R10K260L/D6) (USE AFTER JUNE 2021)	1
17	NONSTOCKING	RIGHT GUIDE	1	48	NONSTOCKING	BACK GRILL BRACKET	1
18	NONSTOCKING	LEFT GUIDE	1	49	XRI0002	BACK GRILL	1
19	XRI0719F	EVAPORATOR COIL (6R4K369L) (USED PRIOR TO JUNE 2021)	1	50	XRI0056	POWER SWITCH (RED)	1
19	XRI060370	EVAPORATOR (4R6K370L) USE FROM JUNE 2021	1	51	XRI0059	THERMOSTAT (DIXELL XR06CX-4N0C1-XX)	1
20	X2199001363	INNER DRAIN PAN (USE PRIOR TO JUNE 2021)	1	52	X-2194677	DOOR SWITCH (USE PRIOT JUNE 2021, INTERCHANGEABLE WITH X-2194677)	1
20	XRI180148	INNER DRAIN PAN (USE AFTER JUNE 2021)	1	52	XRI0300	DOOR SWITCH (USE AFTER JUNE 2021, INTERCHANGEABLE WITH X-2194677)	1
21	NONSTOCKING	INNER DRAIN PAN BRACKET	1	53	XX001387	DRAIN PLUG	1
22	XRI0071	DRAIN HOSE	1	54	XX-SC0319	4" CASTER W/O BRAKE	2
23	XRI0074	ELBOW PIPE	1	55	XX-SCB319	4" CASTER W/BRAKE	2
24	XRI0048-HC	LIGHT COMPONENTS	1	56	NONSTOCKING	POWER CORD BASE	1
25	X12504050151	EVAP FAN MOTOR COVER (USE PRIOR TO JUNE 2021)	1	57	NON STOCKING	COMPRESSPR FASTENER	4
25	XRI0076	EVAP FAN MOTOR COVER (USE AFTER JUNE 2021)	1	58	XRI0039	VAPORATOR TEMPERATURE SENSOR (NTC TYPE, 118")	1
26	XRI0003	TOP/BOTTOM COVER FOR REVERSIBLE DOOR	1	59	XRI0250	DRAIN PAN HEATER (USE PRIOR TO JUNE 2021)	1
27	X5302000003	SHELF CLIP	12	59	XRI0250-1	DRAIN PAN HEATER (18.5" X 7" - 50W) (REPLACES XRI0250, PARTS ARE INTERCHANGEABLE)	1
28	XRI0005	K_STRIP	4	60	XRI0038	EVAPORATOR TEMPERATURE SENSOR (NTC TYPE, 118" BLACK) (ALTERNATE)	1
29	X12502013323	SHELF (23.4" X 19.3")	3	60	XRI0039	EVAPORATOR TEMPERATURE SENSOR (NTC TYPE, 118" BLACK) (ALTERNATE)	*
30	X2199001365	EVAPORATOR COVER (USED PRIOR TO JUNE 2021)	1	61	XX-H00340	LOCK & SET OF 2 KEYS	1
30	XRI601740	EVAPORATOR COVER (USED AFTER JUNE 2021)	1	62	XRI0021	DEFROST HEATER (REPLACED BY XRI0021-1 AS OF JUNE 2021, PARTS ARE INTERCHANGEABLE)	1
31	XRI0003	TOP/BOTTOM COVER FOR REVERSIBLE DOOR	1	62	XRI230126	DEFROST HEATER 250W (16.5" X 2") (USE AFTER JUNE 2021, PARTS ARE INTERCHANGEABLE)	1
32	NON STOCKING	STOP BLOCK	1	63	XRI0210	DRAIN HOSE HEATER (19" - 115VAC/10W)	1
33	NONSTOCKING	LEFT TRACK	1	64	XRI0024	DRAIN HOSE	1
34	NON STOCKING	RIGHT TRACK	1	65	XRI0054	POWER CORD, NEMA 5-15P (14 AWG, APPX 8" LONG) (USE PRIOR TO JUNE 2021)	1
				65	XX-2194684	POWER CORD NEMA-5-15P (16AWG, APPX 8"; LONG) (USE AFTER JUNE 2021)	1

ERB35X

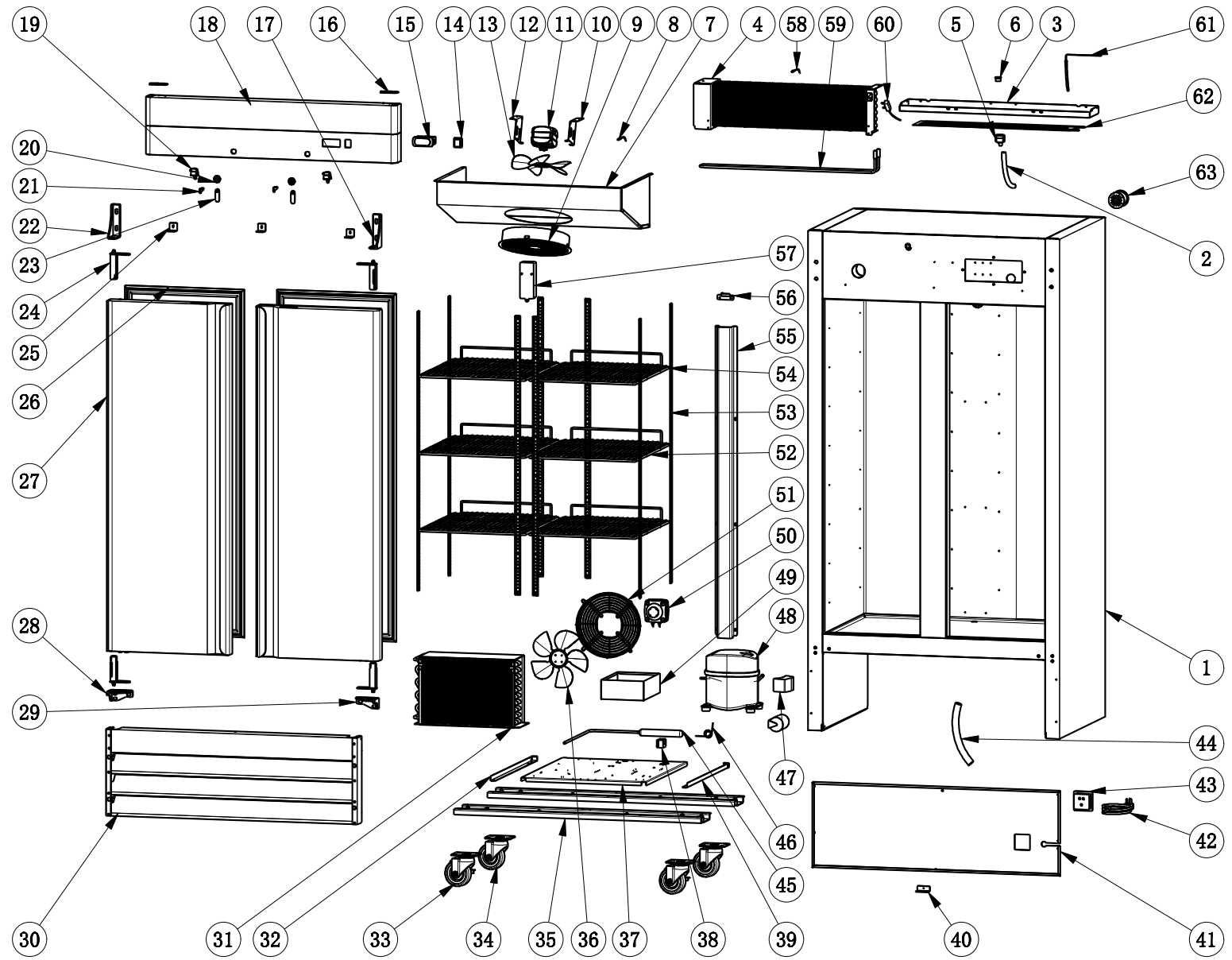


1
2
3
4
5
6
7
8
9

PARTS LIST ERB35X

No.	PART #	DESCRIPTION	QTY	No.	PART #	DESCRIPTION	QTY
1	NONSTOCKING	CABINET	1	28	XX-BLH004	HINGE, LEFT BOTTOM	1
2	XRI0071	DRAIN HOSE	1	29	XX-BRH005	HINGE, BOTTOM RIGHT	1
3	XX-IDP035	INNER DRAIN PAN (OBS, REPLACED WITH XRI180149 AS OF JUNE 2021)	1	30	X2199002066	LOWER FRONT SHROUD (35)	1
3	XRI180149	INNER DRAIN PAN (REPLACES XX-IDP035 AS OF JUNE 2021, PART IS INTERCHANGEABLE WITH OLD)	1	31	XRI0007	CONDENSER (6R11K460L) (OBS, REPLACED WITH XRI000001 AS OF JUNE 2021)	1
4	XRI0735R	EVAPORATOR COIL (4R7K620L)	1	31	XRI000001	CONDENSER (REPLACES XRI0007 AS OF JUNE 2021)	1
5	XRI0074	ELBOW PIPE	1	32	NONSTOCKING	LEFT TRACK SLIDE	1
6	XRI0100	ELBOW PIPE (SCREW) NUT	1	33	XX-SCB319	4" CASTER W/BRAKE	2
7	X2199002061	EVAPORATOR COVER (OBS, REPLACED WITH XRI0081-1, PART IS INTERCHANGEABLE)	1	34	XX-SC0319	4" CASTER W/O BRAKE	2
7	XRI0081-1	EVAPORATOR COVER (REPLACES X2199002061, PART IS INTERCHANGEABLE WITH OLD)	1	35	NONSTOCKING	BASE CHANEL	2
8	XX-THT002	TEMPERATURE SENSOR (OBS, REPLACED WITH XRI0036, PART IS INTERCHANGEABLE WITH OLD)	1	36	XRI0015	BLADE, FAN MOTOR (REPLACED WITH XEFMB023 AS OF JUNE 2021)	1
8	XRI0036	TEMPERATURE SENSOR (REPLACES XX-THT0002, PART IS INTERCHANGEABLE WITH OLD)	1	36	XEFMB023	BLADE, FAN MOTOR (REPLACES XRI0015 AS OF JUNE 2021)	1
9	X16313130154	EVAP FAN MOTOR COVER	1	37	NONSTOCKING	COMPRESSOR MOUNTING PANEL	1
10	NONSTOCKING	MOTOR MOUNTING BRACKET RIGHT	1	38	XX-H00346	FILTER BRACKET	1
11	XX-EFM024	EVAPORATOR FAN MOTOR (OBS, REPLACED WITH XRI000032, INTERCHANGEABLE WITH NEW)	1	39	NON STOCKING	RIGHT TRACK SLIDE	1
11	XRI000032	FAN MOTOR (YZ10-20/10/55) (Alternate for X17701000014) (BLADE #XRI0015 SOLD SEPARATELY)	1	40	NONSTOCKING	BACK GRILL BRACKET	1
12	NONSTOCKING	MOTOR MOUNTING BRACKET LEFT	1	41	XRI3500	BACK GRILL	1
13	XRI0015	BLADE, FAN MOTOR (REPLACED WITH XEFMB023 AS OF JUNE 2021)	1	42	XRI0054	POWER CORD, NEMA 5-15P (14 AWG, APPX 8" LONG)	1
14	XRI0056	POWER SWITCH (RED)	1	43	NONSTOCKING	POWER CORD BASE	1
15	XRI0060	THERMOSTAT (XR03CX-4N0F1/115V)	1	44	XRI0024	DRAIN HOSE	1
16	XRI0084	HINGE, UPPER SHROUD	2	45	XX-H00347	FILTER DRIER	1
17	XX-URH005	HINGE, UPPER RIGHT	1	46	X15804041225	CAPILLARY TUBE (35F & R) (0.094" I.D. X 118.11" L)	1
18	X2199002064	UPPER SHROUD (35)	1	47	XX-HC0010K	STARTING COMPONENTS FOR NUT55NR	1
19	XRI0300	DOOR SWITCH	2	48	XX-HC0010	COMPRESSOR C/W STARTING COMPONENTS (NUT55NR/115V/R290)	1
20	XX-H00340	LOCK & SET OF 2 KEYS	2	49	X16316130008	DRAIN PAN OUTER (7.6" X 6.75" X 3")	1
21	XX-H00340	LOCK & SET OF 2 KEYS	2	50	XX-EFM024	FAN MOTOR (OBS, REPLACED WITH XRI000032, INTERCHANGEABLE WITH NEW)	1
22	XX-ULH005	HINGE, UPPER LEFT	1	50	XRI0012-1	FAN MOTOR (REPLACES XRI0012 AS OF JUNE 2021)	1
23	SEE LOCK	LOCK BOLT	2	51	XRI0122	CONDENSER FAN MOTOR GUARD/COVER	1
24	XX-DC0328	HINGE CARTRIDGE, SELF CLOSING	4	52	X12502013544	SHELF (16.9" X 21.25") (REPLACES X12502115364)	6
25	NONSTOCKING	CONTROL PANEL BRACKET	3	53	XRI0005	K_STRIP	8
26	XRI0135	DOOR GASKET (52.25" X 23.29")	2	54	X5302000003	SHELF CLIP	24
27	XRI0035	DOOR (LEFT OR RIGHT 35)	2	55	NONSTOCKING	COVER	1
27	XRI0035-SI	DOOR W/SS HANDLE & INTERIOR DOOR LINER (ENTRÉE SI)	OPT	56	NONSTOCKING	COVER	1
				57	XRI0048-HC	LIGHT COMPONENTS	1

EFB35X



1
2
3
4
5
6
7
8
9

PARTS LIST EFB35X

No.	PART #	DESCRIPTION	QTY	No.	PART #	DESCRIPTION	QTY
1	NONSTOCKING	CABINET	1	32	NONSTOCKING	LEFT TRACK SLIDE	1
2	XRI0071	DRAIN HOSE	1	33	XX-SCB319	4" CASTER W/BRAKE	2
3	XX-IDP035	INNER DRAIN PAN (OBS, REPLACED WITH XRI180149 AS OF JUNE 2021)	1	34	XX-SC0319	4" CASTER W/O BRAKE	2
3	XRI180149	INNER DRAIN PAN (REPLACES XX-IDP035 AS OF JUNE 2021, PART IS INTERCHANGEABLE WITH OLD)	1	35	NONSTOCKING	BASE CHANEL	2
4	XRI0735F	EVAPORATOR COIL (4R7K620L)	1	36	XRI0015	BLADE, FAN MOTOR (REPLACED WITH XEFMB023 AS OF JUNE 2021)	1
5	XRI0074	ELBOW PIPE	1	36	XEFMB023	BLADE, FAN MOTOR (REPLACES XRI0015 AS OF JUNE 2021)	1
6	XRI0100	ELBOW PIPE (SCREW) NUT	1	37	NONSTOCKING	COMPRESSOR MOUNTING PANEL	1
7	X2199002061	EVAPORATOR COVER (OBS, REPLACED WITH X3100601704, PART IS INTERCHANGEABLE)	1	38	XX-H00346	FILTER BRACKET	1
7	X3100601704	EVAPORATOR COVER (REPLACES X2199002061, PART IS INTERCHANGEABLE WITH OLD)	1	39	NON STOCKING	RIGHT TRACK SLIDE	1
8	XX-THT002	TEMPERATURE SENSOR (OBS, REPLACED WITH XRI0036, PART IS INTERCHANGEABLE WITH OLD)	1	40	NONSTOCKING	BACK GRILL BRACKET	1
8	XRI0036	TEMPERATURE SENSOR (REPLACES XX-THT0002, PART IS INTERCHANGEABLE WITH OLD)	1	41	XRI3500	BACK GRILL	1
9	X16313130154	EVAP FAN MOTOR COVER	1	42	XRI0054	POWER CORD, NEMA 5-15P (14 AWG, APPX 8" LONG)	1
10	NONSTOCKING	MOTOR MOUNTING BRACKET RIGHT	1	43	NONSTOCKING	POWER CORD BASE	1
11	XX-EFM024	EVAPORATOR FAN MOTOR (OBS, REPLACED WITH XRI000032, INTERCHANGEABLE WITH NEW)	1	44	XRI0024	DRAIN HOSE	1
11	XRI000032	FAN MOTOR (YZ10-20/10/55) (Alternate for X17701000014) (BLADE #XRI0015 SOLD SEPARATELY)	1	45	XX-H00347	FILTER DRIER	1
12	NONSTOCKING	MOTOR MOUNTING BRACKET LEFT	1	46	X15804041225	CAPILLARY TUBE (35F & R) (0.094" I.D. X 118.11" L)	1
13	XRI0015	BLADE, FAN MOTOR (REPLACED WITH XEFMB023 AS OF JUNE 2021)	1	47	XX-HC0011K	STARTING COMPONENTS FOR NPY12LR	1
14	XRI0056	POWER SWITCH (RED)	1	48	XX-HC0011	COMPRESSOR C/W STARTING COMPONENTS (NPY12LR/115V/R290)	1
15	XRI0059	THERMOSTAT (DIXELL XR06CX-4N0C1-XX)	1	49	X16316130008	DRAIN PAN OUTER (7.6" X 6.75" X 3")	1
16	XRI0084	HINGE, UPPER SHROUD	2	50	XRI0012	EVAPORATOR FAN MOTOR (OBS, REPLACED WITH XRI0012-1, INTERCHANGEABLE WITH NEW)	1
17	XX-URH005	HINGE, UPPER RIGHT	1	50	XRI0012-1	CONDENSER FAN MOTOR (REPLACES XRI0012 AS OF JUNE 2021)	1
18	X2199002064	UPPER SHROUD (35)	1	51	XRI0122	CONDENSER FAN MOTOR GUARD/COVER	1
19	XRI0300	DOOR SWITCH	2	52	X12502013544	SHELF (16.9" X 21.25") (REPLACES X12502115364)	6
20	XX-H00340	LOCK & SET OF 2 KEYS	2	53	XRI0005	K_STRIP	8
21	XX-H00340	LOCK & SET OF 2 KEYS	2	54	X5302000003	SHELF CLIP	24
22	XX-ULH005	HINGE, UPPER LEFT	1	55	NONSTOCKING	COVER	1
23	SEE LOCK	LOCK BOLT	2	56	NONSTOCKING	COVER	1
24	XX-DC0328	HINGE CARTRIDGE, SELF CLOSING	4	57	XRI0048-HC	LIGHT COMPONENTS	1
25	NONSTOCKING	CONTROL PANEL BRACKET	3	58	XRI0036	DEFROST SENSOR (OBS, REPLACED WITH XRI490053, PARTS ARE INTERCHANGEABLE)	1
26	XRI0135	DOOR GASKET (52.25" X 23.29")	2	58	XRI490053	DEFROST SENSOR (REPLACES XRI0036 AS ON JUNE 2021, PARTS ARE INTERCHANGEABLE)	1
27	XRI0035	DOOR (LEFT OR RIGHT 35)	2	59	XRI2500	DEFROST HEATER (OBS, REPLACED WITH XRI2500-1 AS OF JUNE 2021, PARTS ARE INTERCHANGEABLE)	1
27	XRI0035-SI	DOOR W/SS HANDLE & INTERIOR DOOR LINER (ENTRÉE SI)		59	XRI2500-1	DEFROST HEATER (REPLACES XRI2500 AS OF JUNE 2021, PARTS ARE INTERCHANGEABLE)	1
28	XX-BLH004	HINGE, LEFT BOTTOM	1	60	XRI0215	DEFROST HEATER THERMAL FUSE (15A)	1
29	XX-BRH005	HINGE, BOTTOM RIGHT	1	61	XRI0210	DRAIN HOSE HEATER (19" - 115VAC/10W)	1
30	X2199002066	LOWER FRONT SHROUD (35)	1	62	XRI0235	DRAIN PAN HEATER (27.5" X 4.72" 115VAC/35W) (OBS, REPLACED BY XRI0235-1 AS OF JUNE 2021)	1
31	XRI0007	CONDENSER (OBS, REPLACED WITH XRI0007-1 AS OF JUNE 2021)	1	62	XRI0235-1	DRAIN PAN HEATER (REPLACES XRI0235, NEW IS INTERCHANGEABLE WITH OLD)	1
31	XRI0007-1	CONDENSER (REPLACES XRI0007 AS OF JUNE 2021)	1	63	X15740260003	VACUUM BREAKER	1



PART LIST FOR REACH-IN MODELS: ERB12X, EFB12X, ERB19X, EFB19X ERB35X, AND EFB35X



For Parts Call 704-900-2068, Option #2