



## Entrée Glass Door Reach-In Models:

**ERB1X-G**

**ERB2X-G**

**EFB1X-X**

**EFB2X-G**

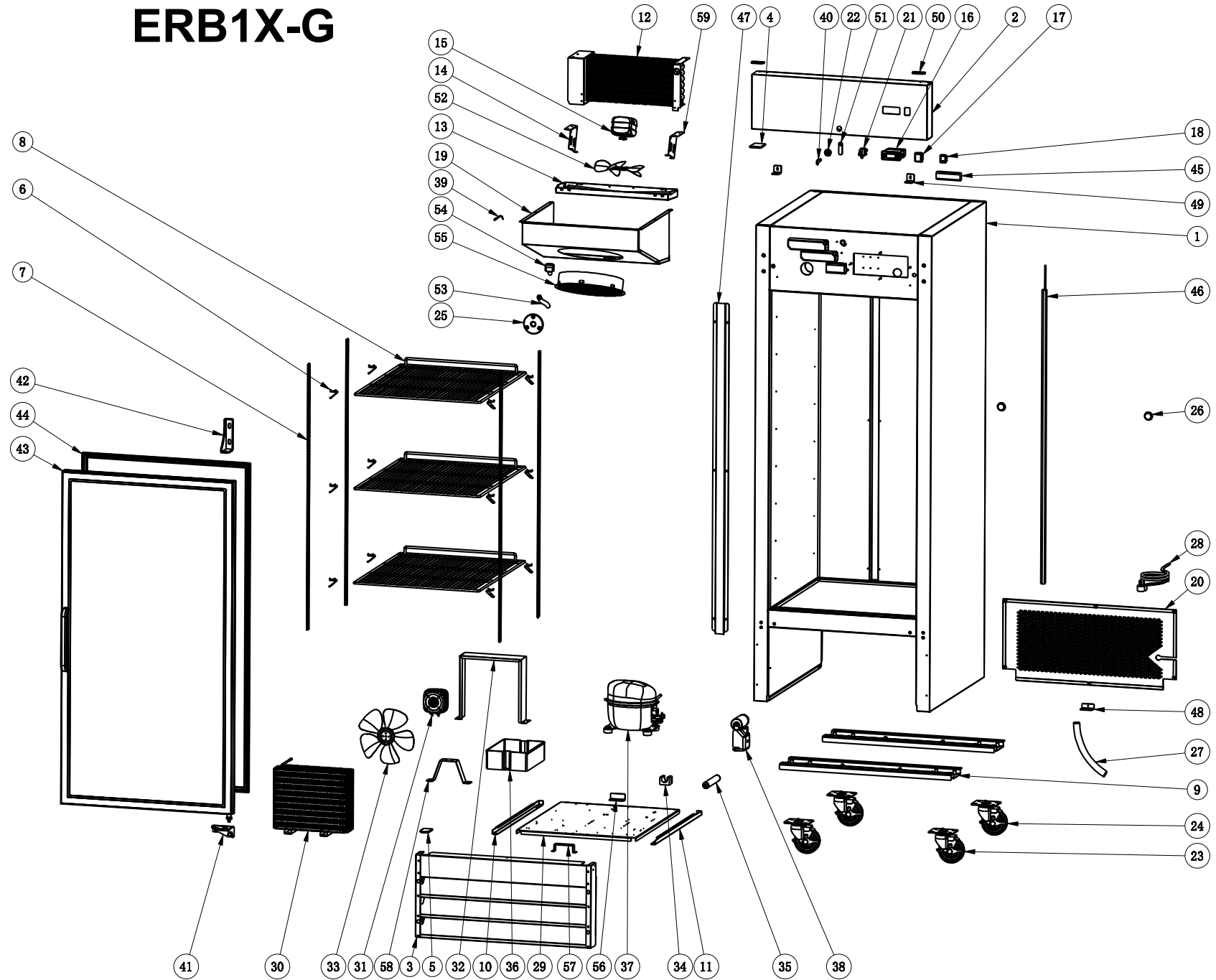
**ERB3X-G**



PHONE: 704-900-2068  
Website: [www.entree.biz](http://www.entree.biz)

REV. 20241121

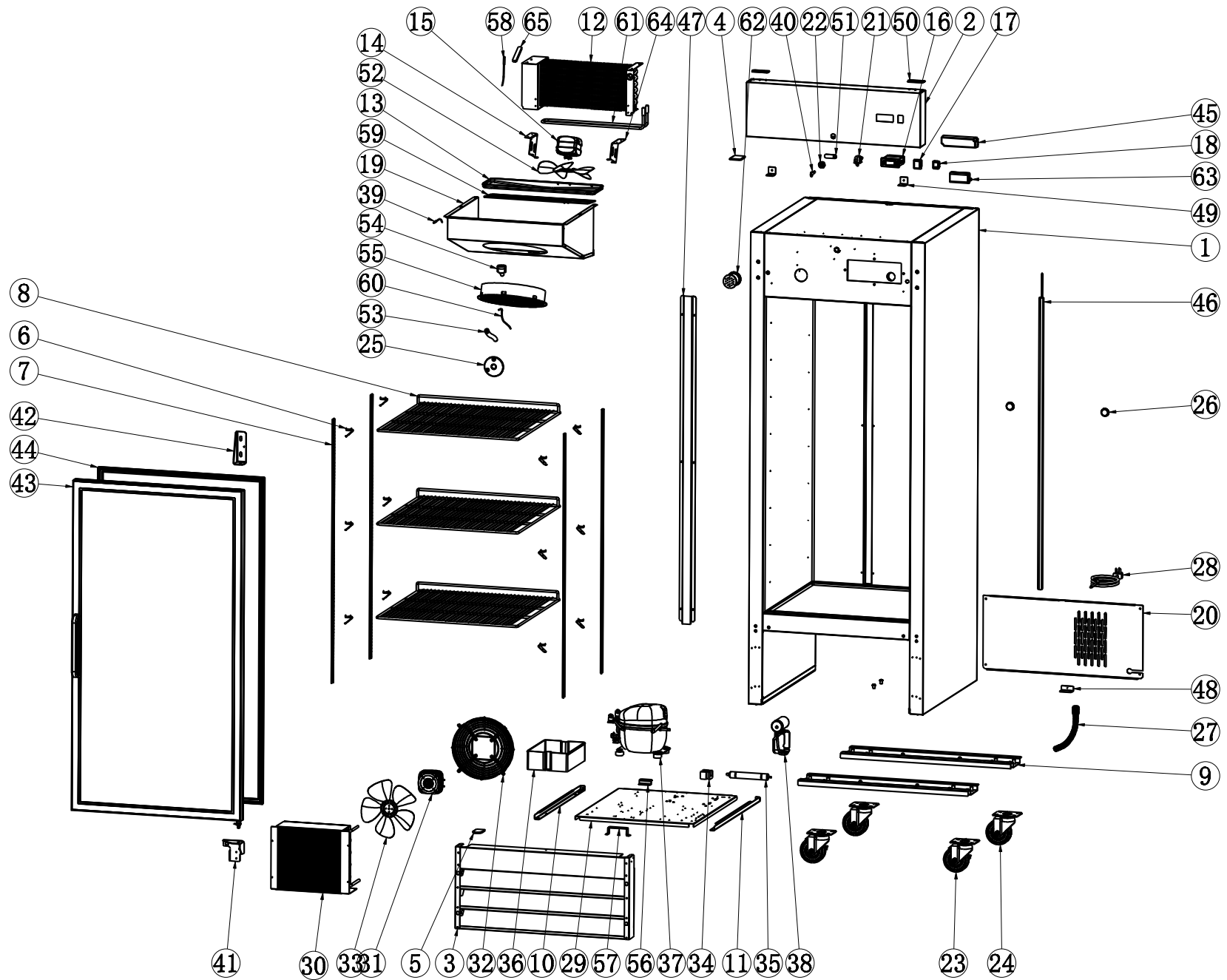
# ERB1X-G



## PART LIST ERB1X-G

No.	PART #	DESCRIPTION	QTY	No.	PART #	DESCRIPTION	QTY
1	NONSTOCKING	CABINET	1	33	X16381738052	BLADE OF FAN MOTOR	1
2	X2199001390	UPPER SHROUD	1	34	XX-H00346	FILTER BRACKET	1
3	X2199001374	LOWER FRONT SHROUD (1 DOOR)	1	35	XFD500032	FILTER	1
4	XRI0003	TOP/BOTTOM COVER FOR REVERSIBLE DOOR	1	36	X16316130008	OUTER DRAIN PAN	1
5	XRI0003	TOP/BOTTOM COVER FOR REVERSIBLE DOOR	1	*	X250009	CAP TUBE (0.035" I.D. X 98.5" LONG)	1
6	X5302000003	SHELF CLIP	12	37	XX-HC0024	COMPRESSOR C/W STARTING COMPONENTS (NUT45NR/115V/60Hz/R290)	1
7	XRI0005	K_STRIP	4	38	XX-HC0024K	STARTING COMPONENTS FOR NUT45NR	1
8	XRI0058	SHELF (23.2" X 23.6")	3	39	XRI0036	TEMPERATURE SENSOR OF CABINET INSIDE	1
9	NONSTOCKING	LEG SUPPORTER	2	40	XX-H00340	LOCK & SET OF 2 KEYS	1
10	NONSTOCKING	LEFT TRACK FOR ASSEMBLING PANEL	1	41	XX-BRH005-G	BOTTOM RIGHT HINGE	1
11	NON STOCKING	RIGHT TRACK FOR ASSEMBLING PANEL	1	42	XX-URH005-G	UPPER RIGHT HINGE	1
12	XRI070370	COIL (4R7K370L) USED FROM JUNE 2021	1	43	XRIG10040	DOOR, GLASS (USE PRIOR TO NOVEMBER 2024)	1
13	XRI180148	INNER DRAIN PAN	1	43	XRIG10092	DOOR, GLASS (USE AFTER NOVEMBER 2024)	1
14	NONSTOCKING	LEFT EVAPORATOR FAN MOTOR BRACKET	1	43	XRIG60050	DOOR HANDLE, GLASS DOOR (USE AFTER NOVEMBER 2024)	1
15	XRI000032	FAN MOTOR (YZ10-20/10/55) (Alternate for X17701000014) (BLADE #XRI0015 SOLD SEPARATELY)	1	44	XRI0040-G	DOOR GLASKET (GLASS DOOR)	1
16	XRI0060	THERMOSTAT	1	45	XDVR530031	L.E.D. DRIVER (APV-12-12)	1
17	XRI0056	POWER SWITCH (RED)	1	46	X17740410163	L.E.D. LIGHT (AUDIO STYLE, PW3W-36A/1200MM)	1
18	X17749180002	LIGHT SWITCH	1	47	NONSTOCKING	BAFFLE OF SUCTION LINE	1
19	XRI0080-1	EVAPORATOR COVER (USE AFTER 01/2022)	1	48	NON STOCKING	BACK GRILL BRACKET	1
20	XRI0002-1	BACK GRILL (USE AFTER DATE 01-2022)	1	49	NON STOCKING	CONTROL PANEL BRACKET	2
21	X-2194677	DOOR SWITCH	1	50	XRI0084	HINGE, UPPER SHROUD	2
22	XX-H00340	LOCK & SET OF 2 KEYS	1	51	SEE LOCK	LOCK BOLT	1
23	XX-SCB319	4" CASTER W/BRAKE	2	52	XRI0015	BLADE OF FAN MOTOR	1
24	XX-SC0319	4" CASTER W/O BRAKE	2	53	XRI0071	DRAIN HOSE	1
25	XX000430	DRAIN PLUG	1	54	XRI0073	ELBOW PIPE	1
26	X16352020002	FOAMING HOLE COVER	2	55	X16313130154	EVAPORATOR FAN MOTOR COVER	1
27	XRI0024	DRAIN HOSE	1	56	NON STOCKING	LIMITED BLOCK OF INSTALLATION BOARD	1
28	XX-2194684	POWER CORD NEMA-5-15P 16AWG, APPX 8"; LONG	1	57	NON STOCKING	COMPRESSOR UNIT HANDLE	1
29	NON STOCKING	COMPRESSOR UNIT INSTALLATION BOARD	1	58	X2199001370	CONDENSER FAN MOTOR BRACKET	1
30	XRI200501	CONDENSER COIL (4R8K210L) USED AFTER March 2022	1	59	NON STOCKING	RIGHT EVAPORATOR FAN MOTOR BRACKET	1
31	XRI0083	EVAPORATOR / CONDENSER FAN MOTOR (YZF6-13-26) 1550RPM (REPLACES XX-EFM023 AS OF JUNE 2021, PARTS ARE INTERCHANGEABLE)	1	*	NOT SHOWN		
32	NON STOCKING	AIR GUIDE SHEET	1				

# EFB1X-G

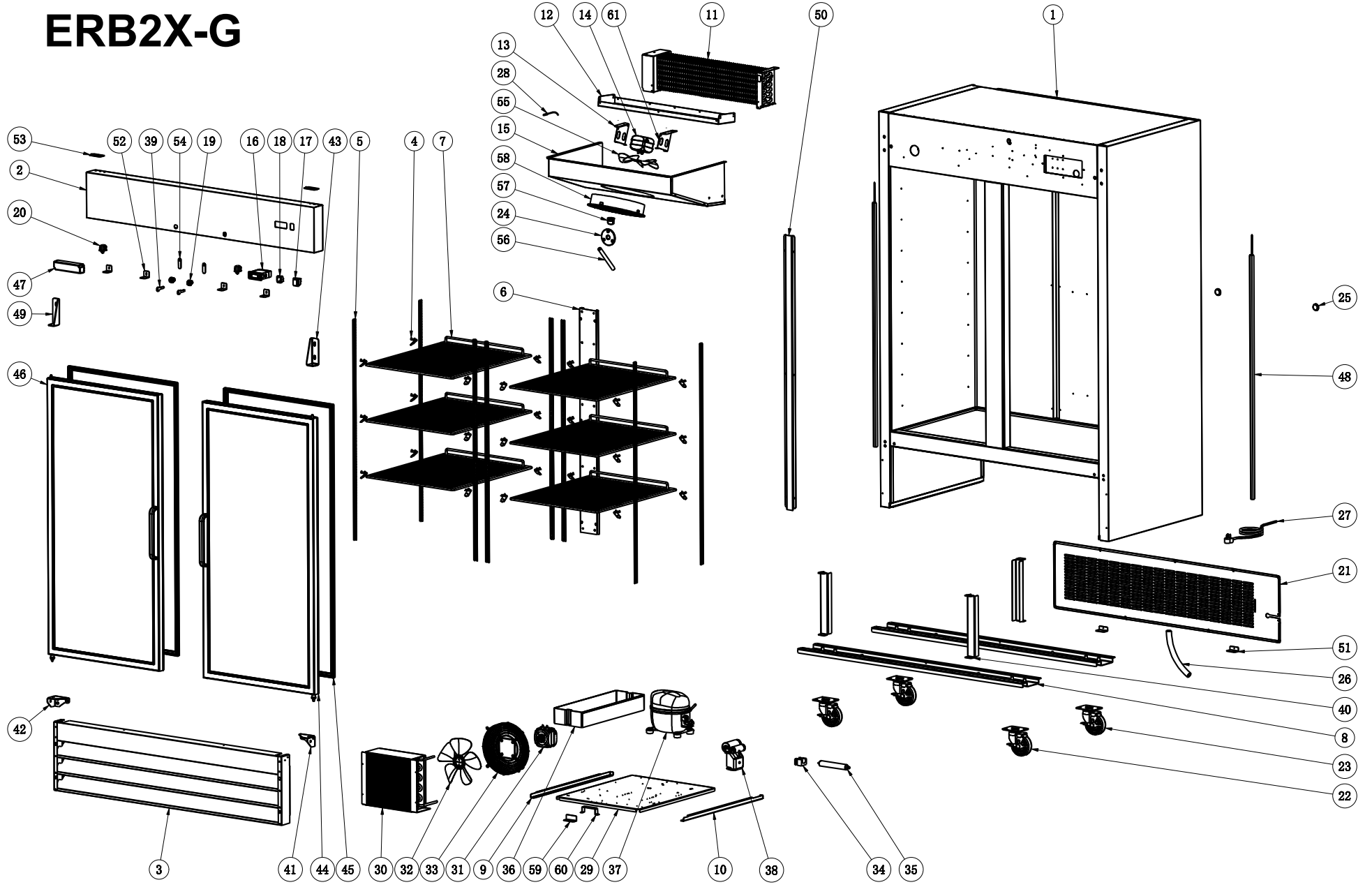




## PARTS LIST EFB1X-G

No.	PART #	DESCRIPTION	QTY	No.	PART #	DESCRIPTION	QTY
1	NONSTOCKING	CABINET	1	36	X16316130008	OUTER DRAIN PAN	1
2	X2199001390	UPPER SHROUD (1 DOOR)	1	*	X400010	CAP TUBE (0.039" I.D. X 157.5" LONG)	1
3	X2199001374	LOWER FRONT SHROUD (1 DOOR)	1	37	XX-HC0034	COMPRESSOR C/W STARTING COMPONENTS (SCE15CNLX/115V/R290)	1
4	XRI0003	TOP/BOTTOM COVER FOR REVERSIBLE DOOR	1	38	XX-HC0034K	START KIT FOR SCE12CNLX	1
5	XRI0003	TOP/BOTTOM COVER FOR REVERSIBLE DOOR	1	39	XRI0036	TEMPERATURE SENSOR OF CABINET INSIDE	1
6	X5302000003	SHELF CLIP	12	40	XX-H00340	LOCK & SET OF 2 KEYS	1
7	XRI0005	K STRIP	4	41	XX-BRH005-G	BOTTOM RIGHT HINGE	1
8	XRI0058	SHELF (23.2" X 23.6")	3	42	XX-URH005-G	UPPER RIGHT HINGE	1
9	NONSTOCKING	LEG SUPPORTER	2	43	XRI0070	DOOR, GLASS, (USE PRIOR TO NOVEMBER 2024)	1
10	NONSTOCKING	LEFT TRACK FOR ASSEMBLING PANEL	1	43	XRIG10210	DOOR, GLASS, (USE AFTER NOVEMBER 2024)	1
11	NON STOCKING	RIGHT TRACK FOR ASSEMBLING PANEL	1	43	XRIG60050	DOOR HANDLE, GLASS DOOR (USE AFTER NOVEMBER 2024)	1
12	XRI060370	EVAPORATOR (4R6K370L) USE FROM JUNE 2021	1	44	XRI0040-G	DOOR GLASKET (GLASS DOOR)	1
13	XRI180148	INNER DRAIN PAN	1	45	XDVR530031	L.E.D. DRIVER (APV-12-12)	1
14	NONSTOCKING	LEFT EVAPORATOR FAN MOTOR BRACKET	1	46	X17740410163	L.E.D. LIGHT (AUDIO STYLE, PW3W-36A/1200MM)	1
15	XRI120014	FAN MOTOR WITH BLADE (ECM7112)	2	47	NONSTOCKING	BAFFLE OF SUCTION LINE	1
16	XRI0059	THERMOSTAT (DIXELL XR06CX-4N0C1-XX)	1	48	NON STOCKING	BACK GRILL BRACKET	1
17	XRI0056	POWER SWITCH (RED)	1	49	NON STOCKING	CONTROL PANEL BRACKET	2
18	X17749180002	LIGHT SWITCH	1	50	XRI0084	HINGE, UPPER SHROUD	2
19	XRI0080-1	EVAPORATOR COVER (USE AFTER 01/2022)	1	51	SEE LOCK	LOCK BOLT	1
20	XRI0002-1	BACK GRILL (USE AFTER DATE 01-2022)	1	52	XRI0015	BLADE OF FAN MOTOR	1
21	X-2194677	DOOR SWITCH	1	53	XRI0071	DRAIN HOSE	1
22	XX-H00340	LOCK & SET OF 2 KEYS	1	54	XRI0073	ELBOW PIPE	1
23	XX-SCB319	4" CASTER W/BRAKE	2	55	X16313130154	EVAPORATOR FAN MOTOR COVER	1
24	XX-SC0319	4" CASTER W/O BRAKE	2	56	NON STOCKING	LIMITED BLOCK OF INSTALLATION BOARD	1
25	XX000430	DRAIN PLUG	1	57	NON STOCKING	COMPRESSOR UNIT HANDLE	1
26	X16352020002	FOAMING HOLE COVER	2	58	XRI490053	DEFROST SENSOR (REPLACES XRI0036 AS ON JUNE 2021, PARTS ARE INTERCHANGEABLE)	1
27	XRI0024	DRAIN HOSE	1	59	XRI220481	DRAIN PAN HEATER (30W, 19" X 4.75")	1
28	XRI0054	POWER CORD, NEMA 5-15P (14 AWG, APPX 8" LONG)	1	60	XRI0210	DRAIN HOSE HEATER (19" - 115VAC/10W)	1
29	NON STOCKING	COMPRESSOR UNIT INSTALLATION BOARD	1	61	XRI230126	DEFROST HEATER 250W (16.5" X 2")	1
30	XRI100263	CONDENSER (4R10K260L)	1	62	X15740260003	VACUUM BREAKER	1
31	XRI000032	FAN MOTOR (YZ10-20/10/55) (Alternate for X17701000014) (BLADE #XRI0015 SOLD SEPARATELY)	1	63	XDVR530026	L.E.D. DRIVER (LPV-60-12)	1
32	XRI050230	CONDENSER FAN COVER	1	64	NON STOCKING	RIGHT EVAPORATOR FAN MOTOR BRACKET	1
33	XRI0015	BLADE OF FAN MOTOR	1	65	XRI990215	DEFROST HEATER THERMAL FUSE (15A)	1
34	XX-H00346	FILTER BRACKET	1	*	NOT SHOWN		
35	XX-H00341	FILTER DRIER	1				

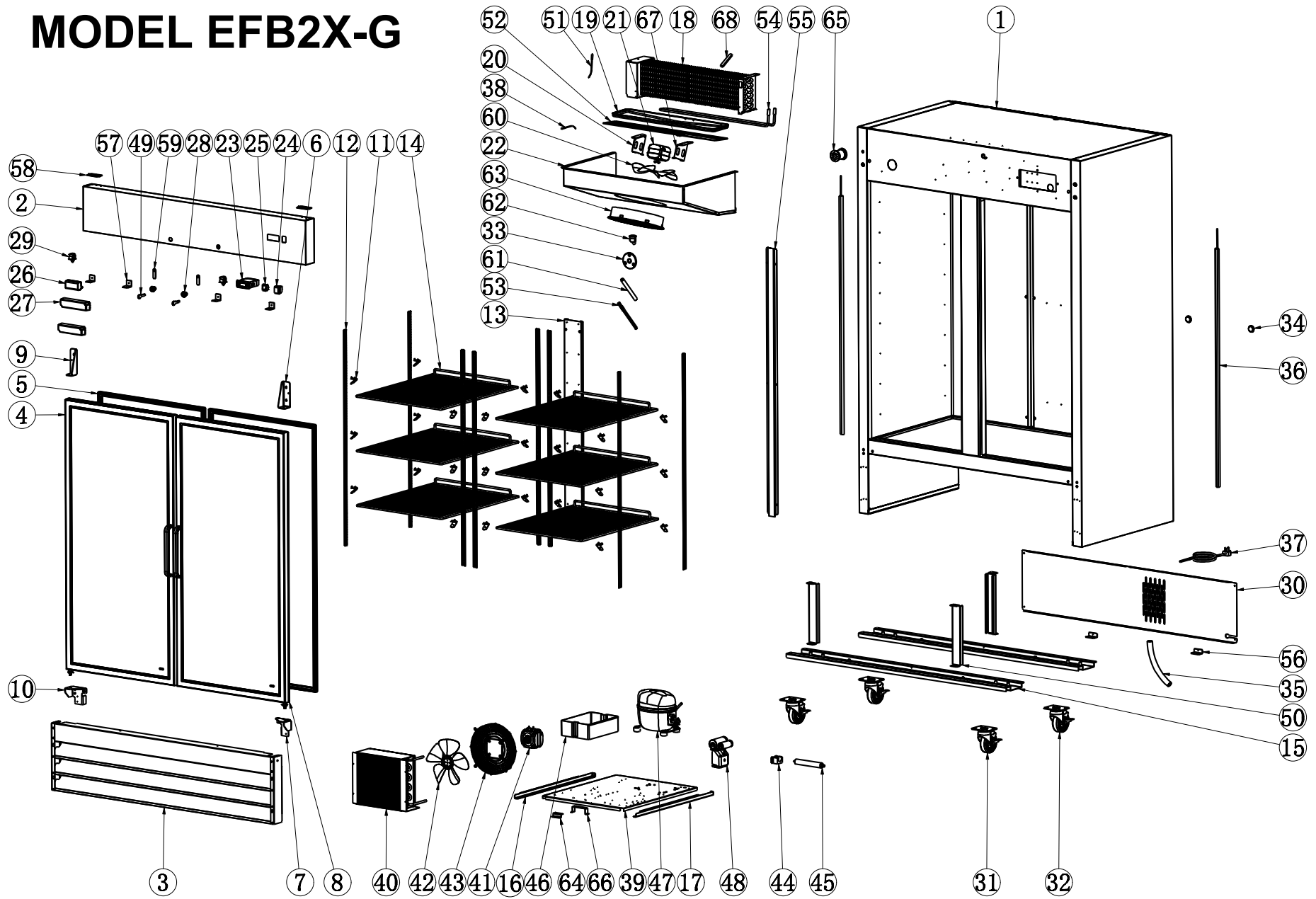
# ERB2X-G



## PARTS LIST ERB2X-G

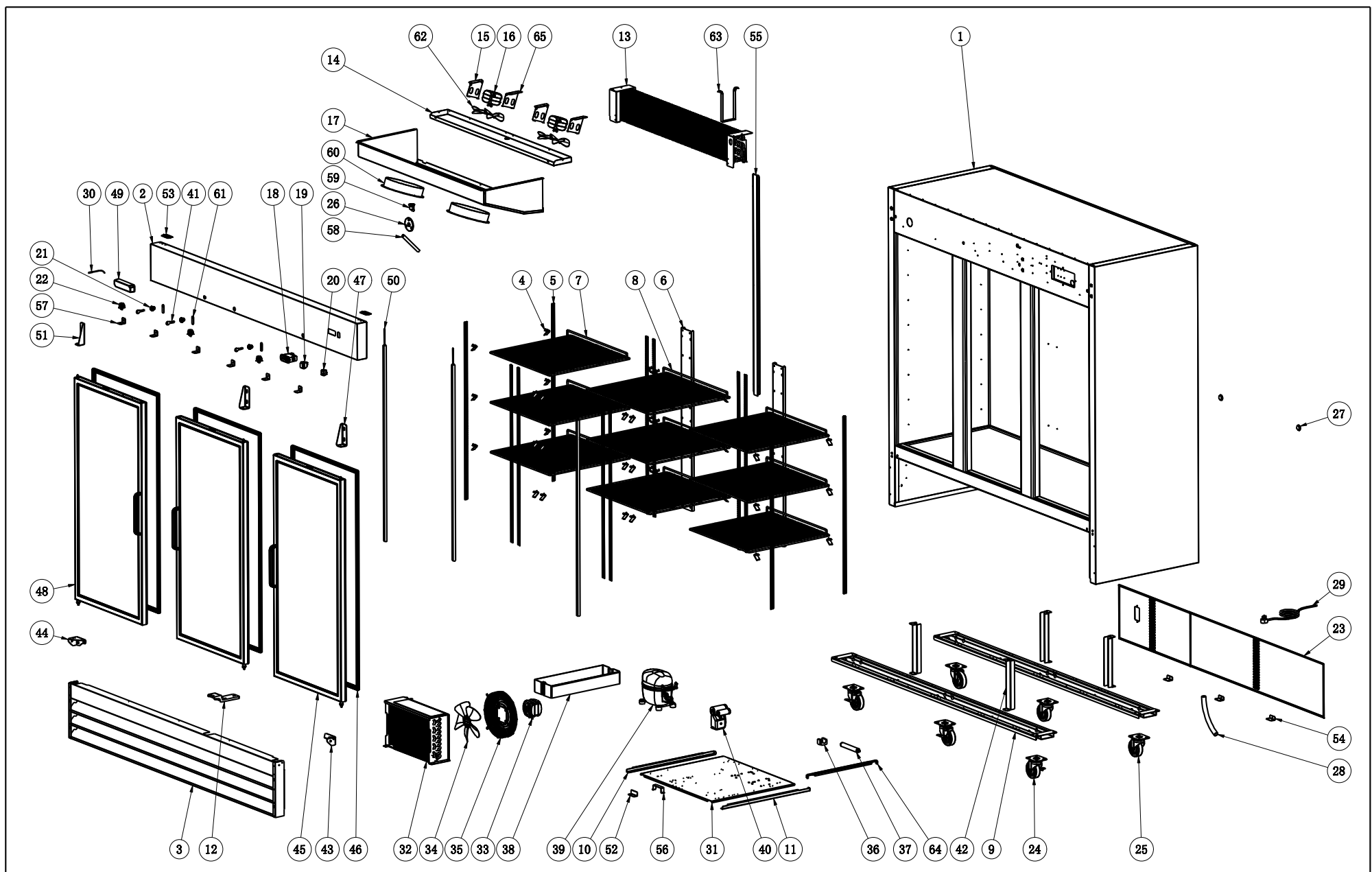
No.	PART #	DESCRIPTION	QTY	No.	PART #	DESCRIPTION	QTY
1	XRI0006-1	CABINET	1	34	XX-H00346	FILTER BRACKET	1
2	XRI302002	UPPER SHROUD	1	35	XFD500032	FILTER	1
3	XRI401106	LOWER SHROUD	1	36	X16316130008	OUTER DRAIN PAN	1
4	X5302000003	SHELF CLIP	24	*	X300012	CAP TUBE (0.047" I.D. X 118" LONG)	1
5	XRI0005	K_STRIP	8	37	XX-HC0021	COMPRESSOR C/W STARTING COMPONENTS (NUT70NR/115V/R290)	1
6	NON STOCKING	REAR SUPPORT CHANEL	1	38	XX-HC0021K	STARTING COMPONENTS FOR NUT70NR	1
7	XRI0058	SHELF (23.2" X 23.6")	6	39	XX-H00340	LOCK & SET OF 2 KEYS	2
8	NONSTOCKING	BASE CHANEL	2	40	NON STOCKING	CABINET SUPPORT CHANEL	3
9	NONSTOCKING	LEFT TRACK FOR ASSEMBLING PANEL	1	41	XX-BRH005-G	BOTTOM RIGHT HINGE	1
10	NON STOCKING	RIGHT TRACK FOR ASSEMBLING PANEL	1	42	XX-BLH004-G	HINGE, LEFT BOTTOM	1
11	XRI0735R	EVAPORATOR (4R7K620L)	1	43	XX-URH005-G	UPPER RIGHT HINGE	1
12	XRI180149	INNER DRAIN PAN	1	44	XRI0065	DOOR, GLASS, RIGHT (USE PRIOR TO NOVEMBER 2024)	1
13	NONSTOCKING	LEFT EVAPORATOR FAN MOTOR BRACKET	1	44	XRIG10094	DOOR, GLASS, RIGHT (USE AFTER NOVEMBER 2024)	1
14	XRI000032	FAN MOTOR (YZ10-20/10/55) (Alternate for X17701000014) (BLADE #XRI0015 SOLD SEPARATELY)	1	44	XRIG60050	DOOR HANDLE, GLASS DOOR (USE AFTER NOVEMBER 2024)	1
15	XRI0081-1	EVAPORATOR COVER (USE AFTER 01/2022)	1	45	XRIG00685	DOOR GLASKET (GLASS DOOR)	2
16	XRI0060	THERMOSTAT	1	46	XRI0068	DOOR, GLASS, LEFT (USE PRIOR TO NOVEMBER 2024)	1
17	XRI0056	POWER SWITCH (RED)	1	46	XRIG10093	DOOR, GLASS, LEFT (USE AFTER NOVEMBER 2024)	1
18	X17749180002	LIGHT SWITCH	1	46	XRIG60050	DOOR HANDLE, GLASS DOOR (USE AFTER NOVEMBER 2024)	2
19	XX-H00340	LOCK & SET OF 2 KEYS	2	47	X22753530025	LED POWER SUPPLY (LPV-35-12)	1
20	X-2194677	DOOR SWITCH	2	48	X17740410163	L.E.D. LIGHT (AUDIO STYLE, PW3W-36A/1200MM)	2
21	XRI0006-1	BACK GRILL (2 DOOR, USE AFTER 01-2022)	1	49	XX-ULH001-G	HINGE, UPPER LEFT	1
22	XX-SCB319	4" CASTER W/BRAKE	2	50	NONSTOCKING	BAFFLE OF SUCTION LINE	1
23	XX-SC0319	4" CASTER W/O BRAKE	2	51	NON STOCKING	BACK GRILL BRACKET	2
24	XX000430	DRAIN PLUG	1	52	NON STOCKING	CONTROL PANEL BRACKET	4
25	X16352020002	FOAMING HOLE COVER	2	53	XRI0084	HINGE, UPPER SHROUD	2
26	XRI0024	DRAIN HOSE	1	54	SEE LOCK	LOCK BOLT	2
27	XRI0054	POWER CORD, NEMA 5-15P (14 AWG, APPX 8" LONG)	1	55	XRI0015	BLADE OF FAN MOTOR	1
28	XRI0036	TEMPERATURE SENSOR OF CABINET INSIDE	1	56	XRI0071	DRAIN HOSE	1
29	NON STOCKING	COMPRESSOR UNIT INSTALLATION BOARD	1	57	XRI0074	ELBOW PIPE	1
30	XRI300001	CONDENSER	1	58	X16313130154	EVAPORATOR FAN MOTOR COVER	1
31	XRI000032	FAN MOTOR (YZ10-20/10/55) (Alternate for X17701000014) (BLADE #XRI0015 SOLD SEPARATELY)	1	59	NON STOCKING	LIMITED BLOCK OF INSTALLATION BOARD	1
32	XRI0015	BLADE OF FAN MOTOR	1	60	NON STOCKING	COMPRESSOR UNIT HANDLE	1
33	XDD050232	CONDENSER FAN COVER	1	61	NON STOCKING	RIGHT EVAPORATOR FAN MOTOR BRACKET	1
				*	NOT SHOWN		

# MODEL EFB2X-G



## PART LIST MODEL EFB2X-G

No.	PART #	DESCRIPTION	QTY	No.	PART #	DESCRIPTION	QTY
1	NONSTOCKING	CABINET	1	34	X16352020002	FOAMING HOLE COVER	2
2	XRI302002	UPPER SHROUD	1	35	XRI0024	DRAIN HOSE	1
3	XRI401106	LOWER SHROUD	1	36	X17740410163	L.E.D. LIGHT (AUDIO STYLE, PW3W-36A/1200MM)	2
4	XRI0069	GLASS DOOR, LEFT (USE PRIOR TO NOVEMBER 2024)	1	37	XRI0054	POWER CORD, NEMA 5-15P (14 AWG, APPX 8" LONG)	1
4	XRIG10212	DOOR, GLASS, LEFT (USE AFTER NOVEMBER 2024)	1	38	XRI0036	TEMPERATURE SENSOR OF CABINET INSIDE	1
4	XRIG60050	DOOR HANDLE, GLASS DOOR (USE AFTER NOVEMBER 2024)	2	39	NON STOCKING	COMPRESSOR UNIT INSTALLATION BOARD	1
5	XRIG00685	DOOR GLASKET (GLASS DOOR)	2	40	XRI110350	CONDENSER (3R11K350L/D6)	1
6	XX-URH005-G	UPPER RIGHT HINGE	1	41	XRI001628	FAN MOTOR (YZ15-25/115V)	1
7	XX-BRH005-G	BOTTOM RIGHT HINGE	1	42	XRI0017	BLADE OF FAN MOTOR	1
8	XRI0066	DOOR, GLASS, RIGHT (USE PRIOR TO NOVEMBER 2024)	1	43	XRI010004	CONDENSER FAN MOTOR GUARD/COVER	1
8	XRIG10211	DOOR, GLASS, RIGHT (USE AFTER NOVEMBER 2024)	2	44	XX-H00346	FILTER BRACKET	1
8	XRIG60050	DOOR HANDLE, GLASS DOOR (USE AFTER NOVEMBER 2024)	2	45	XX-H00341	FILTER DRIER	1
9	XX-ULH001-G	HINGE,UPPER LEFT	1	46	XRI0089	OUTER DRAIN PAN	1
10	XX-BLH004-G	HINGE, LEFT BOTTOM	1	*	X300012	CAP TUBE (0.047" I.D. X 118" LONG)	1
11	X5302000003	SHELF CLIP	24	47	X17202100068	COMPRESSOR C/W STARTING COMPONENTS (SCE21CNLX/115V/R290)	1
12	XRI0005	K STRIP	8	48	XX-STARTKITHC6	START KIT FOR COMPRESSOR SCE21CNLX	1
13	NON STOCKING	REAR SUPPORT CHANEL	1	49	XX-H00340	LOCK & SET OF 2 KEYS	2
14	XRI0058	SHELF (23.2" X 23.6")	6	50	NON STOCKING	CABINET SUPPORT CHANEL	3
15	NONSTOCKING	BASE CHANEL	2	51	XRI490053	DEFROST SENSOR (REPLACES XRI0036 AS ON JUNE 2021, PARTS ARE INTERCHANGEABLE)	1
16	NONSTOCKING	LEFT TRACK FOR ASSEMBLING PANEL	1	52	XRI0049	DRAIN PAN HEATER 35W (27.5" X 4.75")	1
17	NON STOCKING	RIGHT TRACK FOR ASSEMBLING PANEL	1	53	XRI0210	DRAIN HOSE HEATER (19" - 115VAC/10W)	1
18	XRI0735F	EVAPORATOR (4R7K620L)	1	54	XRI230127	DEFROST HEATER (REPLACES XRI2500 AS OF JUNE 2021, PARTS ARE INTERCHANGEABLE)	1
19	XRI180149	INNER DRAIN PAN	1	55	NONSTOCKING	BAFFLE OF SUCTION LINE	1
20	NONSTOCKING	LEFT EVAPORATOR FAN MOTOR BRACKET	1	56	NON STOCKING	BACK GRILL BRACKET	2
21	XRI000032	FAN MOTOR (YZ10-20/10/55) (Alternate for X17701000014) (BLADE #XRI0015 SOLD SEPARATELY)	1	57	NON STOCKING	CONTROL PANEL BRACKET	4
22	XRI0081-1	EVAPORATOR COVER (USE AFTER 01/2022)	1	58	XRI0084	HINGE, UPPER SHROUD	2
23	XRI0059	THERMOSTAT (DIXELL XR06CX-4N0C1-XX)	1	59	SEE #49	LOCK BOLT	2
24	XRI0056	POWER SWITCH (RED)	1	60	XRI0015	BLADE OF FAN MOTOR	1
25	X17749180002	LIGHT SWITCH	1	61	XRI0071	DRAIN HOSE	1
26	X22753530025	LED POWER SUPPLY (LPV-35-12)	1	62	XRI0073	ELBOW PIPE	1
27	XDVR530026	L.E.D. DRIVER (LPV-60-12)	2	63	X16313130154	EVAPORATOR FAN MOTOR COVER	1
28	XX-H00340	LOCK & SET OF 2 KEYS	2	64	NON STOCKING	LIMITED BLOCK OF INSTALLATION BOARD	1
29	X-2194677	DOOR SWITCH	2	65	X15740260003	VACUUM BREAKER	1
30	XRI0006-1	BACK GRILL (2 DOOR, USE AFTER 01-2022)	1	66	NON STOCKING	COMPRESSOR UNIT HANDLE	1
31	XX-SCB319	4" CASTER W/BRAKE	2	67	NON STOCKING	RIGHT EVAPORATOR FAN MOTOR BRACKET	1
32	XX-SC0319	4" CASTER W/O BRAKE	2	68	XRI990215	DEFROST HEATER THERMAL FUSE (15A)	1
33	XX000430	DRAIN PLUG	1	*		NOT SHOWN	



**MODEL ERB3X-G**

## PARTS LIST MODEL ERB3X-G

No.	PART #	DESCRIPTION	QTY	No.	PART #	DESCRIPTION	QTY
1	NONSTOCKING	CABINET	1	37	XFD500032	FILTER	1
2	XRI001420	SHROUD, UPPER FRONT (3GDR) (ENTREE)	1	38	XRI0089	OUTER DRAIN PAN	1
3	X2199001413	LOWER FRONT SHROUD (3 DOOR)	1	*	X240014	CAP TUBE (0.055" I.D. X 94.5" LONG)	1
4	X5302000003	SHELF CLIP	36	39	XX-HC0027	COMPRESSOR C/W STARTING COMPONENTS (EMC3140U/115V/F	1
5	XRI0005	K_STRIP	12	39	XX-HC0027K	STARTING COMPONENTS FOR EMC3140U	1
6	NON STOCKING	REAR SUPPORT CHANEL	2	40	XX-HC0027K	START KIT FOR EMC3140U	1
7	XRI0058	SHELF (23.2" X 23.6")	6	41	XX-H00340	LOCK & SET OF 2 KEYS	3
8	XRI0050	SHELF, MIDDLE (25.1" X 22.2")	3	42	NON STOCKING	CABINET SUPPORT CHANEL	4
9	NONSTOCKING	BASE CHANEL	2	43	XX-BRH005-G	BOTTOM RIGHT HINGE	1
10	NONSTOCKING	LEFT TRACK FOR ASSEMBLING PANEL	1	44	XX-BLH004-G	HINGE, LEFT BOTTOM	1
11	NON STOCKING	RIGHT TRACK FOR ASSEMBLING PANEL	1	45	XRI0065	DOOR, GLASS, RIGHT (USE PRIOR TO NOVEMBER 2024)	2
12	XX-BMH002	HINGE, MIDDLE BOTTOM	1	45	XRIG10094	DOOR, GLASS, RIGHT (USE AFTER NOVEMBER 2024)	2
13	XRI071100	EVAPORATOR (4R7K1100L)	1	45	XRIG60050	DOOR HANDLE, GLASS DOOR (USE AFTER NOVEMBER 2024)	4
14	XRI702001	INNER DRAIN PAN	1	46	XRIG00685	DOOR GLASKET (GLASS DOOR)	3
15	NONSTOCKING	LEFT EVAPORATOR FAN MOTOR BRACKET	2	47	XX-URH005-G	UPPER RIGHT HINGE	2
16	XRI000032	FAN MOTOR (YZ10-20/10/55) (Alternate for X17701000014) (BLADE #XRI0015 SOLD SEPARATELY)	2	48	XRI0068	DOOR, GLASS, LEFT (USE PRIOR TO NOVEMBER 2024)	1
17	XRI0082-1	EVAPORATOR COVER (USE AFTER 01/2022)	1	48	XRIG10093	DOOR, GLASS, LEFT (USE AFTER NOVEMBER 2024)	1
18	XRI0060	THERMOSTAT	1	48	XRIG60050	DOOR HANDLE, GLASS DOOR (USE AFTER NOVEMBER 2024)	2
19	XRI0056	POWER SWITCH (RED)	1	49	X22753530025	LED POWER SUPPLY (LPV-35-12)	1
20	X17749180002	LIGHT SWITCH	1	50	X17740410163	L.E.D. LIGHT (AUDIO STYLE, PW3W-36A/1200MM)	3
21	XX-H00340	LOCK & SET OF 2 KEYS	3	51	XX-ULH001-G	HINGE, UPPER LEFT	1
22	X-2194677	DOOR SWITCH	3	52	NON STOCKING	LIMITED BLOCK OF INSTALLATION BOARD	1
23	XRI0064	BACK GRILL (3 DOOR)	1	53	XRI0084	HINGE, UPPER SHROUD	2
24	XX-SCB319	4" CASTER W/BRAKE	3	54	NON STOCKING	BACK GRILL BRACKET	3
25	XX-SC0319	4" CASTER W/O BRAKE	3	55	NONSTOCKING	BAFFLE OF SUCTION LINE	1
26	XX000430	DRAIN PLUG	1	56	NON STOCKING	COMPRESSOR UNIT HANDLE	1
27	X16352020002	FOAMING HOLE COVER	2	57	NON STOCKING	CONTROL PANEL BRACKET	6
28	XRI0024	DRAIN HOSE	1	58	XRI0071	DRAIN HOSE	1
29	XRI0054	POWER CORD, NEMA 5-15P (14 AWG, APPX 8" LONG)	1	59	XRI0073	ELBOW PIPE	1
30	XRI0036	TEMPERATURE SENSOR OF CABINET INSIDE	1	60	X16313130154	EVAPORATOR FAN MOTOR COVER	2
31	NON STOCKING	COMPRESSOR UNIT INSTALLATION BOARD	1	61	SEE LOCK	LOCK BOLT	3
32	XRI110350	CONDENSER (3R11K350L/D6)	1	62	XRI0015	BLADE OF FAN MOTOR	2
33	XRI001827	FAN MOTOR (YZF18-25-26 SHADED POLE/70W/115V/1550RPM)	1	63	NON STOCKING	DEFROST HEATER BRACKET	1
34	XRI0017	BLADE OF FAN MOTOR	1	64	NON STOCKING	AUXILIARY TRACK	1
35	XRI050255	CONDENSER FAN COVER	1	65	NON STOCKING	RIGHT EVAPORATOR FAN MOTOR BRACKET	2
36	XX-H00346	FILTER BRACKET	1	*		NOT SHOWN	



## Entrée Glass Door Reach-In Models:

**ERB1X-G**

**ERB2X-G**

**EFB1X-X**

**EFB2X-G**

**ERB3X-G**



PHONE: 704-900-2068  
Website: [www.entree.biz](http://www.entree.biz)

REV. 20241121