

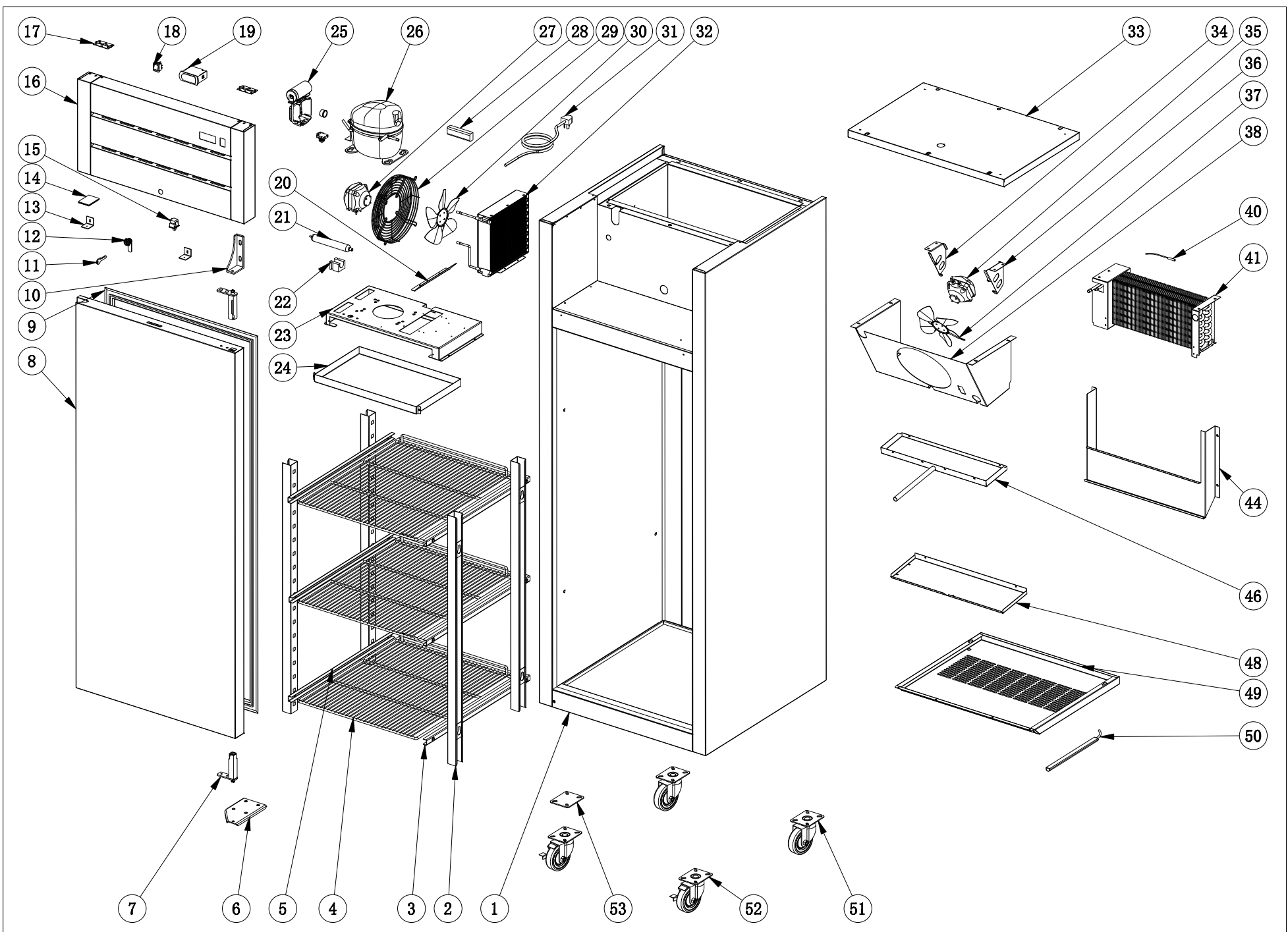


**Solid Door Top Mount Top Mount
Reach-In Models:**

**ERT1X
EFT1X
ERT2X
EFT2X**

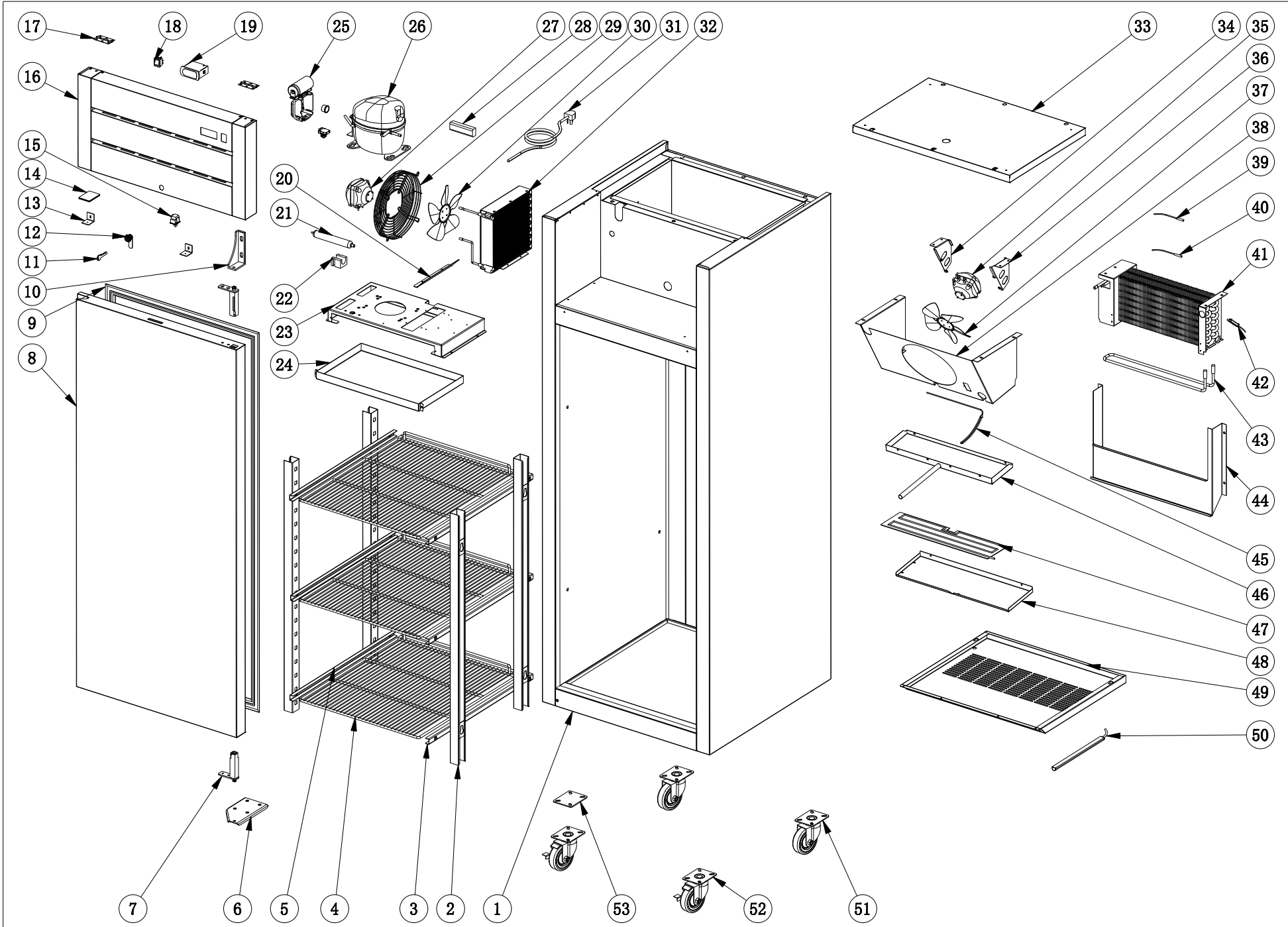


**PHONE: 704-900-2068
Website: www.entree.biz**



Model: ERT1X

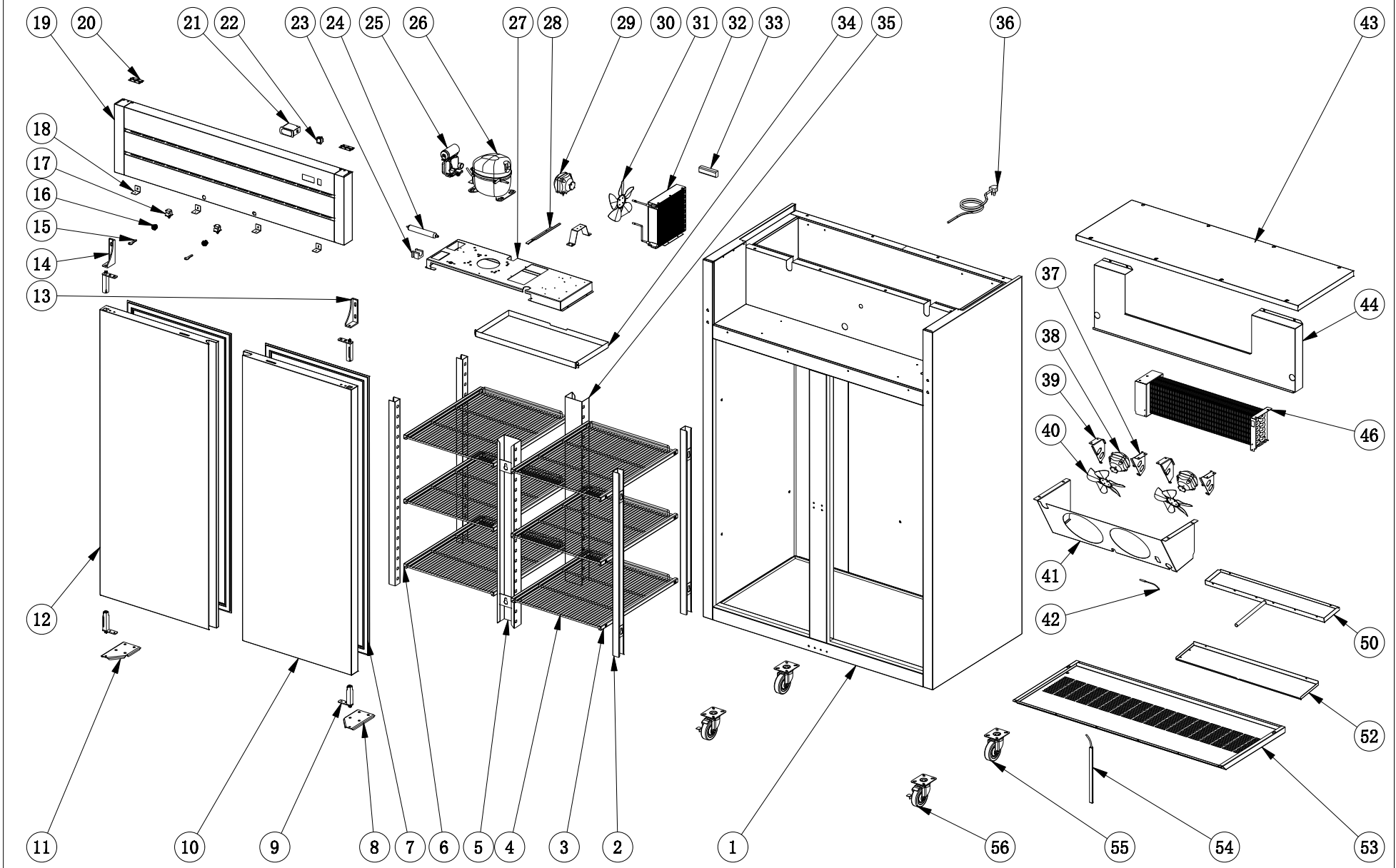
| NO. | PART # | DESCRIPTION | QTY | NO. | Entrée # | DESCRIPTION | QTY |
|-----|-------------|------------------------------------|-----|-----|--------------|---|-----|
| 1 | NONSTOCKING | CABINET | 1 | 24 | XRI002144 | OUTER DRAIN PAN | 1 |
| 2 | XRI001376 | SHELF BRACKETS | 4* | 25 | | SEE #26 | 1 |
| 3 | XRI001378 | RIGHT SHELF TRACK | 3 | 26 | X17202100037 | COMPRESSOR (DLE4CN/115VAC/R290) | 1 |
| 4 | XRI013304 | SHELF (20.86" X 25.2") | 3 | 26 | XSTARTKIT01 | START KIT FOR DLE4CN | OPT |
| 5 | XRI001377 | LEFT SHELF TRACK | 3 | 27 | XRI000035 | FAN MOTOR | 1 |
| 6 | XRI002183 | HINGE, BOTTOM RIGHT | 1 | 28 | XRI530034 | POWER SUPPLY FOR LED LIGHT | 1 |
| 7 | XX-DC0328 | DOOR CLOSURE | 2 | 29 | XRI010002 | CONDENSER FAN GUARD | 1* |
| 8 | XRI002139 | DOOR ASSY. TOP MOUNT | 1 | 30 | XEFM023 | EVAPORATOR FAN MOTOR BLADE | 1 |
| 8 | XRI002139K | DOOR ASSY. TOP MOUNT (KINTERA) | 1 | 31 | XX-2194684 | POWER CORD, NEMA 5-15P 16AWG, 8' | 1 |
| 8 | XRI002139C | DOOR ASSY. TOP MOUNT (CENTAUR) | 1 | 32 | XRI000001 | CONDENSER COIL | 1 |
| 9 | XRI010746 | DOOR GASKET (59.19" X 25.8") | 1 | 33 | N/A | UPPER PANEL | 1* |
| 10 | XX-URH005 | HINGE UPPER RIGHT | 1 | 34 | XRI002184 | EVAPORATOR FAN MOTOR MOUNTING BRACKET - LEFT | 1* |
| 11 | XX-H00340 | LOCK W/2 KEYS | 1 | 35 | XRI0083 | EVAPORATOR FAN MOTOR | 1 |
| 12 | XX-H00340 | LOCK W/2 KEYS | 1 | 36 | XRI002185 | EVAPORATOR FAN MOTOR MOUNTING BRACKET - RIGHT | 1* |
| 13 | NONSTOCKING | CONTROL PANEL FIXER | 2 | 37 | XEFM023 | EVAPORATOR FAN MOTOR BLADE | 1 |
| 14 | XRI0061 | TOP COVER FOR REVERSIBLE DOOR | 1 | 38 | N/A | INNER EVAPORATOR COVER | 1* |
| 15 | X-2194677 | DOOR SWITCH | 1 | 40 | XX-THT002 | EVAPORATOR TEMPERATURE SENSOR NTC (BLACK 60") | 1 |
| 16 | XRI002142 | UPPER SHROUD (TOP MOUNT) | 1 | 41 | XRI060371 | EVAPORATOR COIL (1DRT) | 1 |
| 16 | XRI002142K | UPPER SHROUD (KINTERA) | 1 | 44 | N/A | AIR BAFFLE | 1* |
| 16 | XRI002142C | UPPER SHROUD (CENTAUR) | 1 | 46 | XRI002150 | INNER DRAIN PAN | 1 |
| 17 | XRI0084 | UPPER SHROUD HINGE | 2 | 48 | N/A | INNER DRAIN PAN COVER | 1* |
| 18 | XRI0056 | POWER SWITCH | 1 | 49 | XRI002152 | EVAPORATOR COVER | 1* |
| 19 | XRI0060 | THERMOSTAT (XR03CX-4N0F1/115V) | 1 | 50 | XRI410071 | LED LIGHT | 1 |
| 20 | N/A | AIR BAFFLE OF OUTER DRAIN PAN | 1* | 51 | XX-SC0319 | 4" CASTER W/O BRAKE | 2 |
| 21 | XX-H00348 | FILTER (D25 X 167-B) | 1 | 52 | XX-SCB319 | 4" CASTER WITH BRAKE | 2 |
| 22 | NONSTOCKING | FILTER BRACKET | 1* | 53 | XRI002188 | CASTER MOUNTING BRACKET | 1 |
| | X200010 | CAP TUBE .039" I.D. X 78.75" L | 1 | | | * Non Stocking Item | |
| 23 | N/A | COMPRESSOR UNIT INSTALLATION BOARD | 1* | | | | |



Model: EFT1X

| NO. | Part # | DESCRIPTION | QTY |
|-----|-------------|------------------------------------|-----|
| 1 | NONSTOCKING | CABINET | 1 |
| 2 | XRI001376 | SHELF BRACKETS | 4* |
| 3 | XRI001378 | RIGHT SHELF TRACK | 3 |
| 4 | XRI013304 | SHELF (20.86" X 25.2") | 3 |
| 5 | XRI001377 | LEFT SHELF TRACK | 3 |
| 6 | XRI002183 | HINGE, BOTTOM RIGHT | 1 |
| 7 | XX-DC0328 | DOOR CLOSURE | 2 |
| 8 | XRI002139 | DOOR ASSY. TOP MOUNT | 1 |
| 8 | XRI002139C | DOOR ASSY. TOP MOUNT (CENTAUR) | 1 |
| 8 | XRI002139K | DOOR ASSY. TOP MOUNT (KINTERA) | 1 |
| 9 | XRI010746 | DOOR GASKET (59.19" X 25.8") | 1 |
| 10 | XX-URH005 | HINGE UPPER RIGHT | 1 |
| 11 | XX-H00340 | LOCK W/2 KEYS | 1 |
| 12 | XX-H00340 | LOCK W/2 KEYS | 1 |
| 13 | NONSTOCKING | CONTROL PANEL FIXER | 2 |
| 14 | XRI0061 | TOP COVER FOR REVERSIBLE DOOR | 1 |
| 15 | X-2194677 | DOOR SWITCH | 1 |
| 16 | XRI002142 | UPPER SHROUD | 1 |
| 16 | XRI002142K | UPPER SHROUD (KINTERA) | 1 |
| 16 | XRI002142C | UPPER SHROUD (CENTAUR) | 1 |
| 17 | XRI0084 | UPPER SHROUD HINGE | 2* |
| 18 | XRI0056 | POWER SWITCH | 1 |
| 19 | XRI0059 | THERMOSTAT (DIXELL XR06CX) | 1 |
| 20 | N/A | AIR BAFFLE OF OUTER DRAIN PAN | 1* |
| 21 | XX-H00348 | FILTER DRIER (D25 X 167-B) | 1 |
| 22 | NONSTOCKING | FILTER DRIER BRACKET | 1* |
| | X200009 | CAP TUBE .035" I.D. X 78.75" L | 1 |
| 23 | N/A | COMPRESSOR UNIT INSTALLATION BOARD | 1* |
| 24 | XRI002144 | OUTER DRAIN PAN | 1 |
| 25 | SEE #26 | | 1 |

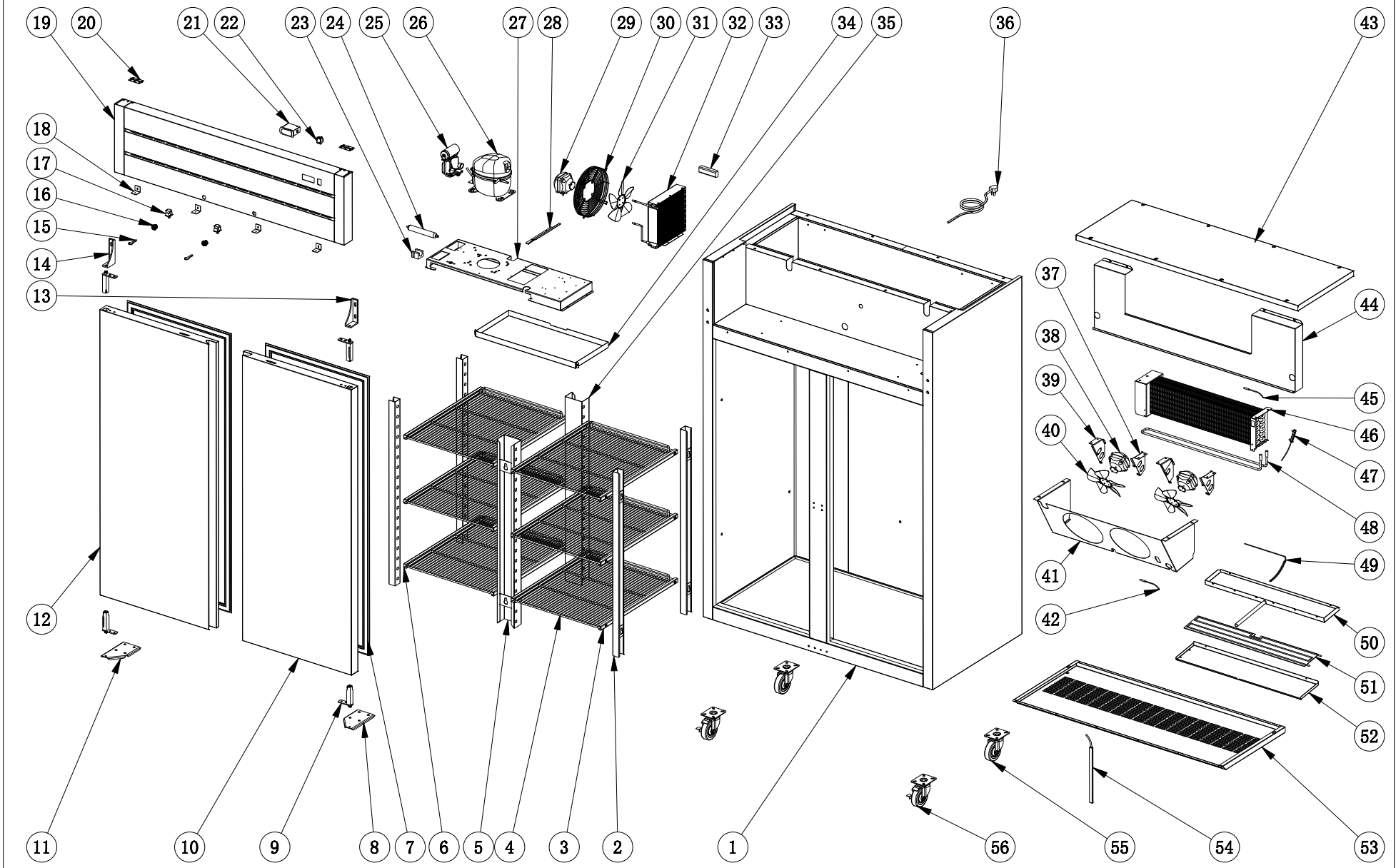
| NO. | Part # | DESCRIPTION | QTY |
|-----|----------------|---|-----|
| 26 | XX-HC0007 | COMPRESSOR (NLE10CN/115V/60HZ/R290) | 1 |
| 26 | XX-STARTKITHC7 | START KIT (NLE10CN/115V/60HZ/R290) | OPT |
| 27 | XRI000035 | FAN MOTOR | 1 |
| 28 | XRI530034 | POWER SUPPLY FOR LED LIGHT | 1 |
| 29 | XRI010002 | CONDENSER FAN GUARD | 1 |
| 30 | XEFM023 | EVAPORATOR FAN MOTOR BLADE | 1 |
| 31 | XX-2194684 | POWER CORD, NEMA 5-15P 16AWG, 8' | 1 |
| 32 | XRI000001 | CONDENSER COIL | 1 |
| 33 | N/A | UPPER PANEL | 1 |
| 34 | XRI002184 | EVAPORATOR FAN MOTOR MOUNTING BRACKET - LEFT | 1* |
| 35 | XRI0083 | EVAPORATOR FAN MOTOR | 1 |
| 36 | XRI002185 | EVAPORATOR FAN MOTOR MOUNTING BRACKET - RIGHT | 1* |
| 37 | XEFM023 | EVAPORATOR FAN MOTOR BLADE | 1 |
| 38 | N/A | INNER EVAPORATOR COVER | 1* |
| 39 | XRI0036 | EVAPORATOR TEMPERATURE SENSOR NTC (BLACK 60") | 1 |
| 40 | XX-THT002 | EVAPORATOR TEMPERATURE SENSOR NTC (BLACK 60") | 1 |
| 41 | XRI070372 | EVAPORATOR COIL (1DFT) | 1 |
| 42 | XRI990215 | THERMAL FUSE | 1 |
| 43 | XRI230126 | DEFROST HEATER 250W (16.5" X 2") | 1 |
| 44 | N/A | AIR BAFFLE | 1 |
| 45 | XRI000069 | DRAIN TUBE HEATER 5W (27") | 1 |
| 46 | XRI002150 | INNER DRAIN PAN | 1 |
| 47 | XRI220481 | DRAIN PAN HEATER 30W (19" X 4.75") | 1 |
| 48 | N/A | INNER DRAIN PAN COVER | 1* |
| 49 | XRI002152 | EVAPORATOR COVER | 1 |
| 50 | XRI410071 | LED LIGHT | 1 |
| 51 | XX-SC0319 | 4" CASTER W/O BRAKE | 2 |
| 52 | XX-SCB319 | 4" CASTER WITH BRAKE | 2 |
| 53 | XRI002188 | CASTER MOUNTING BRACKET | 1 |
| | | * Non Stocking Item | |



Model: ERT2X

| NO. | PART # | DESCRIPTION | QTY |
|-----|-------------|--|-----|
| 1 | N/A | CABINET | 1* |
| 2 | XRI001376 | SHELF BRACKETS | 4* |
| 3 | XRI001378 | RIGHT SHELF TRACK | 6 |
| 4 | XRI013304 | SHELF (20.86" X 25.2") | 6 |
| 5 | XRI001398 | CENTER FRONT SHELF BRACKETS | 1* |
| 6 | XRI001377 | LEFT SHELF TRACK | 6 |
| 7 | XRI010745 | DOOR GASKET (24.2" X 59.2") | 2 |
| 8 | XRI002183 | HINGE, BOTTOM RIGHT | 1 |
| 9 | XX-DC0328 | DOOR CLOSURE | 4 |
| 10 | XRI002154 | DOOR ASSY, RIGHT (TOP MOUNT) | 1 |
| 10 | XRI002154K | DOOR ASSY, RIGHT (TOP MOUNT) (KINTERA) | 1 |
| 10 | XRI002154C | DOOR ASSY, RIGHT (TOP MOUNT) (CENTAUR) | 1 |
| 11 | XRI002189 | HINGE, BOTTOM LEFT | 1 |
| 12 | XRI002190 | DOOR ASSY, LEFT (TOP MOUNT) | 1 |
| 12 | XRI002190K | DOOR ASSY, LEFT (TOP MOUNT) (KINTERA) | 1 |
| 12 | XRI002190C | DOOR ASSY, LEFT (TOP MOUNT) (CENTAUR) | 1 |
| 13 | XX-URH005 | HINGE UPPER RIGHT | 1 |
| 14 | XX-ULH005 | HINGE UPPER LEFT | 1 |
| 15 | XX-H00357 | KEY (SET OF 2 KEYS) | 2 |
| 16 | XX-H00357 | KEY (SET OF 2 KEYS) | 2 |
| 17 | X-2194677 | DOOR SWITCH | 2 |
| 18 | NONSTOCKING | CONTROL PANEL FIXER | 4 |
| 19 | XRI002155 | UPPER SHROUD (TOP MOUNT -2D) | 1 |
| 19 | XRI002155K | UPPER SHROUD (TOP MOUNT -2D) (KINTERA) | 1 |
| 19 | XRI002155C | UPPER SHROUD (TOP MOUNT -2D) (CENTAUR) | 1 |
| 20 | XRI0084 | UPPER SHROUD HINGE | 2* |
| 21 | XRI0060 | THERMOSTAT (XR03CX-4N0F1/115V) | 1 |
| 22 | XRI0056 | POWER SWITCH | 1 |
| 23 | NONSTOCKING | FILTER DRIER BRACKET | 1* |
| | X200010 | CAP TUBE .039" I.D. X 78.75" L | 1 |

| NO. | PART # | DESCRIPTION | QTY |
|-----|------------|---|-----|
| 24 | XX-H00348 | FILTER DRIER(D25 X 167-B) | 1 |
| 25 | SEE #26 | | 1 |
| 26 | XX-HC0009 | COMPRESSOR (DLE6.5N/115VAC/R290) | 1 |
| 26 | XX-HC0009K | START KIT FOR DLE6.5N | OPT |
| 27 | N/A | COMPRESSOR INSTALLATION PANEL | 1* |
| 28 | N/A | AIR BAFFLE OF OUTER DRAIN PAN | 1* |
| 29 | XRI000035 | FAN MOTOR | 1 |
| 30 | XRI010002 | CONDENSER FAN GUARD | 1 |
| 31 | XEFMB023 | EVAPORATOR FAN MOTOR BLADE | 1 |
| 32 | XRI000001 | CONDENSER COIL | 1 |
| 33 | XRI530034 | POWER SUPPLY FOR LED LIGHT | 1 |
| 34 | XRI002157 | OUTER DRAIN PAN | 1 |
| 35 | XRI001399 | CENTER REAR SHELF BRACKETS | 1* |
| 36 | XX-2194686 | POWER CORD SET (14AWG, NEMA 5-15P) 8' | 1 |
| 37 | XRI002184 | EVAPORATOR FAN MOTOR MOUNTING BRACKET - LEFT | 2* |
| 38 | XRI000035 | FAN MOTOR | 2 |
| 39 | XRI002185 | EVAPORATOR FAN MOTOR MOUNTING BRACKET - RIGHT | 2* |
| 40 | XEFMB023 | EVAPORATOR FAN MOTOR BLADE | 2 |
| 41 | N/A | INNER EVAPORATOR COVER | 1* |
| 42 | XX-THT002 | EVAPORATOR TEMPERATURE SENSOR NTC (BLACK 60") | 1 |
| 43 | N/A | TOP PANEL | 1* |
| 44 | N/A | AIR BAFFLE | 1* |
| 46 | XRI070623 | EVAPORATOR COIL (2DRT) | 1 |
| 50 | XRI002160 | INNER DRAIN PAN | 1 |
| 52 | N/A | INNER DRAIN PAN COVER | 1* |
| 53 | XRI002192 | EVAPORATOR COVER | 1 |
| 54 | XRI410071 | LED LIGHT | 1 |
| 55 | XX-SC0319 | 4" CASTER W/O BRAKE | 2 |
| 56 | XX-SCB319 | 4" CASTER WITH BRAKE | 2 |
| | | * Non Stocking Part | |



Model: EFT2X

| NO. | PART # | DESCRIPTION | QTY |
|-----|-------------|--|-----|
| 1 | N/A | CABINET | 1* |
| 2 | XRI001376 | SHELF BRACKETS | 4* |
| 3 | XRI001378 | RIGHT SHELF TRACK | 6 |
| 4 | XRI013304 | SHELF (20.86" X 25.2") | 6 |
| 5 | XRI001398 | CENTER FRONT SHELF BRACKETS | 1* |
| 6 | XRI001377 | LEFT SHELF TRACK | 6 |
| 7 | XRI010745 | DOOR GASKET (24.2" X 59.2") | 2 |
| 8 | XRI002183 | HINGE, BOTTOM RIGHT | 2 |
| 9 | XX-DC0328 | DOOR CLOSURE | 4 |
| 10 | XRI002154 | DOOR ASSY, RIGHT (TOP MOUNT) | 1 |
| 10 | XRI002154K | DOOR ASSY, RIGHT (TOP MOUNT) (KINTERA) | 1 |
| 10 | XRI002154C | DOOR ASSY, RIGHT (TOP MOUNT) (CENTAUR) | 1 |
| 11 | XRI002189 | HINGE, BOTTOM LEFT | 1 |
| 12 | XRI002190 | DOOR ASSY, LEFT (TOP MOUNT) | 1 |
| 12 | XRI002190K | DOOR ASSY, LEFT (TOP MOUNT) (KINTERA) | 1 |
| 12 | XRI002190C | DOOR ASSY, LEFT (TOP MOUNT) (CENTAUR) | 1 |
| 13 | XX-URH005 | HINGE UPPER RIGHT | 1 |
| 14 | XX-ULH005 | HINGE UPPER LEFT | 1 |
| 15 | XX-H00357 | KEY (SET OF 2 KEYS) | 2 |
| 16 | XX-H00357 | KEY (SET OF 2 KEYS) | 2 |
| 17 | X-2194677 | DOOR SWITCH | 2 |
| 18 | NONSTOCKING | CONTROL PANEL FIXER | 4 |
| 19 | XRI002155 | UPPER SHROUD (TOP MOUNT -2D) | 1 |
| 19 | XRI002155K | UPPER SHROUD (TOP MOUNT -2D) (KINTERA) | 1 |
| 19 | XRI002155C | UPPER SHROUD (TOP MOUNT -2D) (CENTAUR) | 1 |
| 20 | XRI0084 | UPPER SHROUD HINGE | 2* |
| 21 | XRI0059 | THERMOSTAT (DIXELL XR06CX) | 1 |
| 22 | XRI0056 | POWER SWITCH | 1 |
| 23 | NONSTOCKING | FILTER BRACKET | 1* |
| 24 | XX-H00348 | FILTER DRIER(D25 X 167-B) | 1 |
| | X220010 | CAP TUBE .039" I.D. X 86.6" L | 1 |
| 25 | SEE #26 | | 1 |
| | | * Non Stocking Part | |

| NO. | PART # | DESCRIPTION | QTY |
|-----|------------|---|-----|
| 26 | XX-HC0016 | COMPRESSOR (SCE18CENX*2/115VAC/R290) | 1 |
| 26 | XX-HC0016K | START KIT FOR SCE18CENX*2 | OPT |
| 27 | N/A | COMPRESSOR INSTALLATION PANEL | 1* |
| 28 | N/A | AIR BAFFLE OF OUTER DRAIN PAN | 1* |
| 29 | XRI000035 | FAN MOTOR | 1 |
| 30 | XRI010002 | CONDENSER FAN GUARD | 1 |
| 31 | XEFMB023 | EVAPORATOR FAN MOTOR BLADE | 1 |
| 32 | XRI000001 | CONDENSER COIL | 1 |
| 33 | XRI530034 | POWER SUPPLY FOR LED LIGHT | 1 |
| 34 | XRI002157 | OUTER DRAIN PAN | 1 |
| 35 | XRI001399 | CENTER REAR SHELF BRACKETS | 1* |
| 36 | XX-2194686 | POWER CORD SET (14AWG, NEMA 5-15P) 8' | 1 |
| 37 | XRI002184 | EVAPORATOR FAN MOTOR MOUNTING BRACKET - LEFT | 2* |
| 38 | XRI000035 | FAN MOTOR | 2 |
| 39 | XRI002185 | EVAPORATOR FAN MOTOR MOUNTING BRACKET - RIGHT | 2* |
| 40 | XEFMB023 | EVAPORATOR FAN MOTOR BLADE | 2 |
| 41 | N/A | INNER EVAPORATOR COVER | 1* |
| 42 | XX-THT002 | EVAPORATOR TEMPERATURE SENSOR NTC (BLACK 60") | 1 |
| 43 | N/A | TOP PANEL | 1* |
| 44 | N/A | AIR BAFFLE | 1* |
| 45 | XRI0036 | EVAPORATOR TEMPERATURE SENSOR NTC (BLACK 60") | 1 |
| 46 | XRI070624 | EVAPORATOR COIL (2DFT) | 1 |
| 47 | XRI990215 | THERMAL FUSE | 1 |
| 48 | XRI230127 | DEFROST HEATER 400W (27.5" X 2") | 1 |
| 49 | XRI000069 | DRAIN TUBE HEATER 5W (27") | 1 |
| 50 | XRI002160 | INNER DRAIN PAN | 1 |
| 51 | XRI220481 | DRAIN PAN HEATER 30W (19" X 4.75") | 1 |
| 52 | N/A | INNER DRAIN PAN COVER | 1* |
| 53 | XRI002162 | EVAPORATOR COVER | 1* |
| 54 | XRI410071 | LED LIGHT | 1 |
| 55 | XX-SC0319 | 4" CASTER W/O BRAKE | 2 |
| 56 | XX-SCB319 | 4" CASTER WITH BRAKE | 2 |
| | | * Non Stocking Part | |



**Solid Door Top Mount Top Mount
Reach-In Models:**

**ERT1X
EFT1X
ERT2X
EFT2X**



**PHONE: 704-900-2068
Website: www.entree.biz**