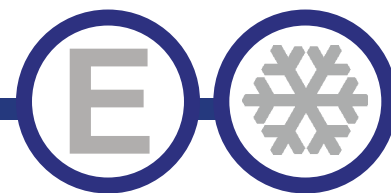




# Series "B"



## HORIZONTAL BOTTLE COOLER



EBC25X  
EBC36X



EBC50X  
EBC65X



EBC80X  
EBC95X

Model	Size
EBC25X	26" Unit
EBC36X	36" Unit
EBC50X	49" Unit
EBC65X	64" Unit
EBC80X	79" Unit
EBC95X	95" Unit

### STANDARD FEATURES

- Durable stainless steel top, coated aluminum interior.
- Exterior construction is attractive corrosion resistant vinyl on steel in black finish
- Refrigeration system keeps the drinks at safe temperatures between 33°F and 41°F
- Electronic control system makes it easy to adjust temperature set point and defrost frequency.
- Removable bottle cap opener and cap catcher included.
- Pre-installed 3" swivel casters with brakes.
- Easy to access condenser coil for cleaning and service.
- Uses R290 refrigerant, which is eco-friendly and more efficient.
- Option of stainless steel exterior available.
- Warranty: Two year parts & labor warranty, and additional three years on compressor.

\*Not suitable for installation in a non-commercial or residential applications.

Items	Description	Items	Description
Top	Stainless steel	Temperature control	Solid state thermostat/Digital display
Exterior	Vinyl Coated on steel, black finish	Approvals	ETL LISTED
External back	Aluminum	Refrigerating system	Capillary tube
Cabinet interior	Coated Aluminum	Refrigerant	R290
Interior floor	Coated Aluminum	Temperature range	33°F to 41°F
Insulation	Polyurethane (CFC free)	Evaporator	Powder coated aluminum/copper
Dividers	Heavy duty, PVC coating	Condensing unit	Bottom mounted

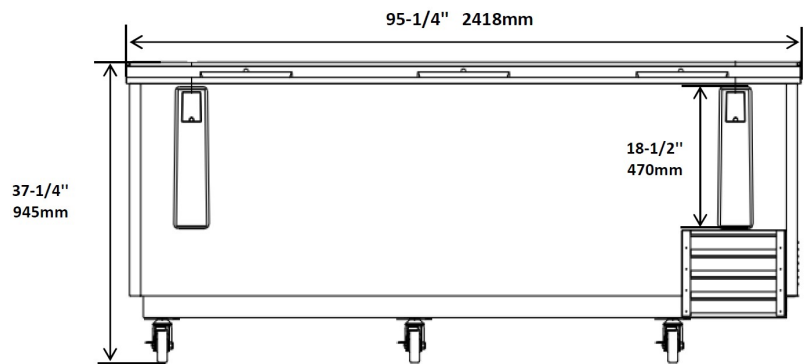
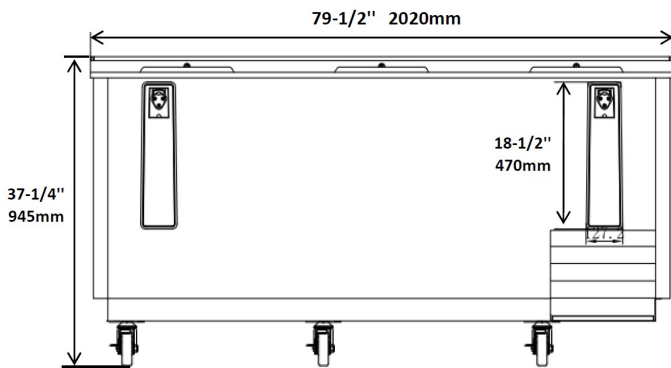
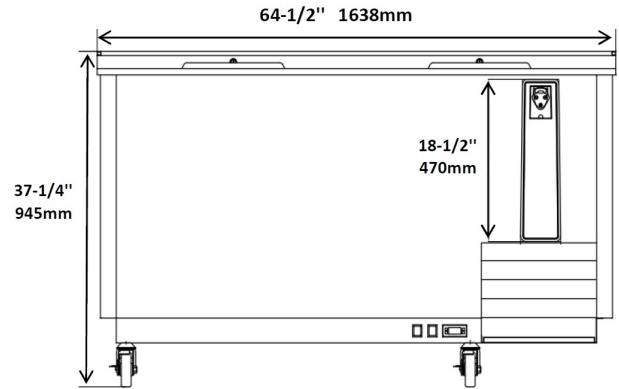
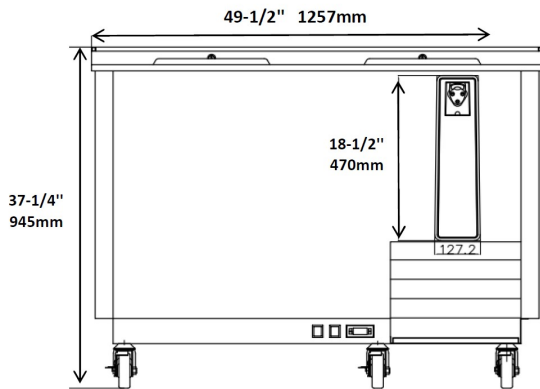
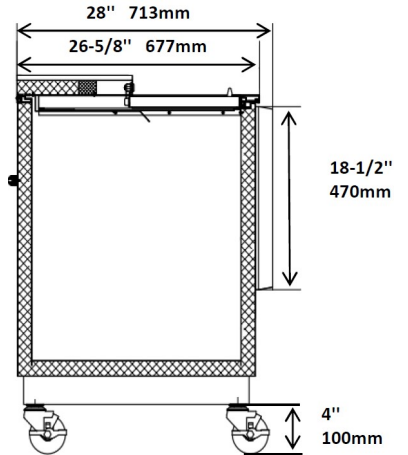
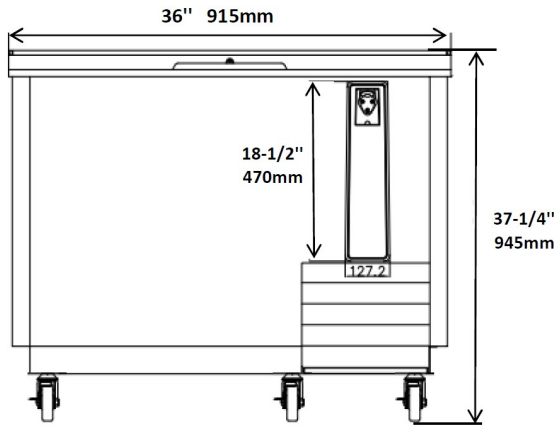
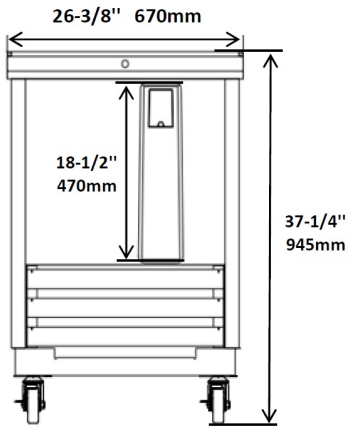
CONFORMS TO NSF/ANSI STD 7

REFRIGERATION





# DETAILS AND DIMENSIONS



Model	Doors	Dividers	12 oz Btls Cases	12 oz Cans Cases	Cabinet Dim (inches)			HP	Voltage	Amps	NEMA Plug	Cord Length	Ship Weight
					L	D	H						
EBC25X	1	0	4.5	6	26.375	28.125	37.25	1/6	115/60/1	2.04	5-15P	10	158
EBC36X	1	2	11	14.5	36.00	28.125	37.25	1/6	115/60/1	2.28	5-15P	10	198
EBC50X	2	3	16.5	24	49.50	28.125	37.25	1/6	115/60/1	2.28	5-15P	10	253
EBC65X	2	3	22	32	64.50	28.125	37.25	1/6	115/60/1	2.60	5-15P	10	286
EBC80X	3	5	30	42	79.50	28.125	37.25	1/4	115/60/1	3.70	5-15P	10	375
EBC95X	3	5	37.5	55	95.25	28.125	37.25	1/4	115/60/1	4.20	5-15P	10	429