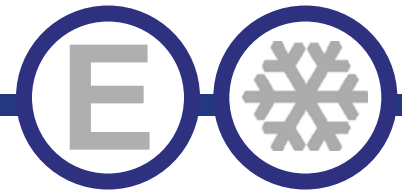




Series "B"



BACK BAR COOLER - STAINLESS STEEL 27" DEPTH GLASS SWING DOORS

Models
EBB23-27GSX
EBB58-27GSX
EBB69-27GSX
EBB90-27GSX

EBB23-27GSX



EBB58-27GSX



EBB69-27GSX



EBB90-27GSX

STANDARD FEATURES

- Durable stainless interior and exterior
- Silver aluminum door frame
- Refrigeration system keep the drinks at safe temperatures between 33°F and 41°F .
- Swing glass door, self closing with locks.
- Shelves: Adjustable heavy-duty PVC coated shelves.
- Electronic control system makes it easy to adjust temperature set point and defrost frequency.
- Easy to access condenser coil for cleaning and service.
- Interior efficient LED lighting.
- Uses R290 refrigerant, which is eco-friendly and more efficient.
- 3" swivel casters are included. Option of leveling feet available.
- Warranty: Two year parts & labor, with an additional three years on the compressor.

*Not suitable for installation in a non-commercial or residential applications.

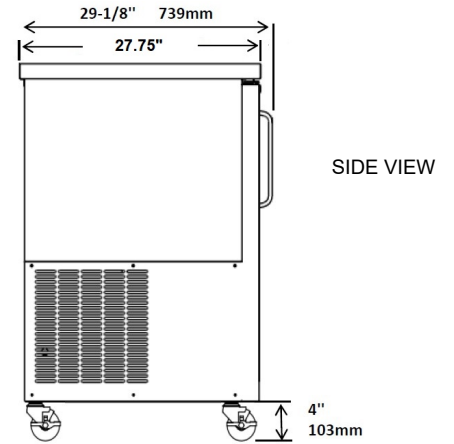
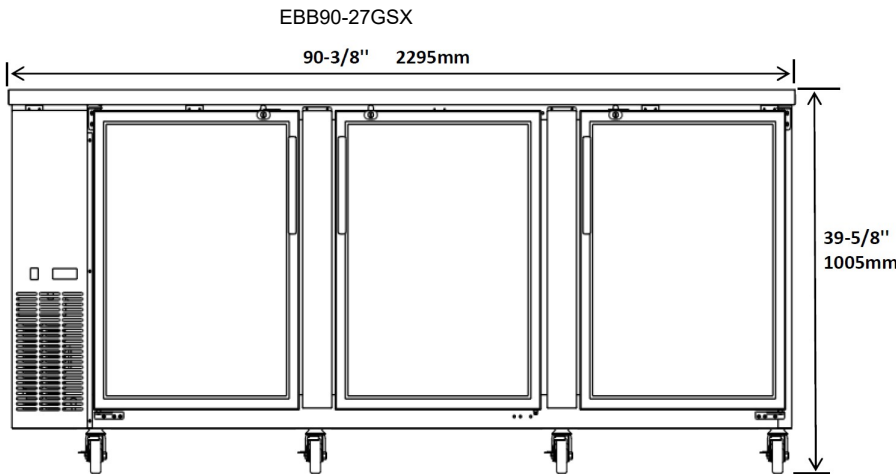
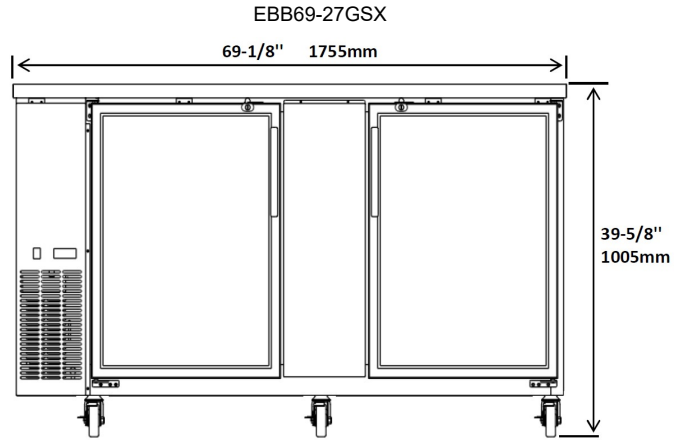
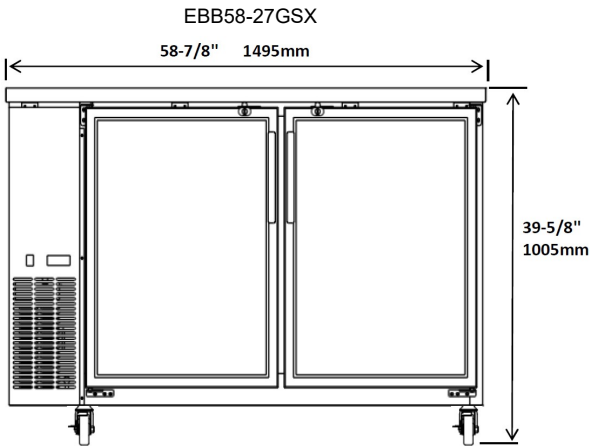
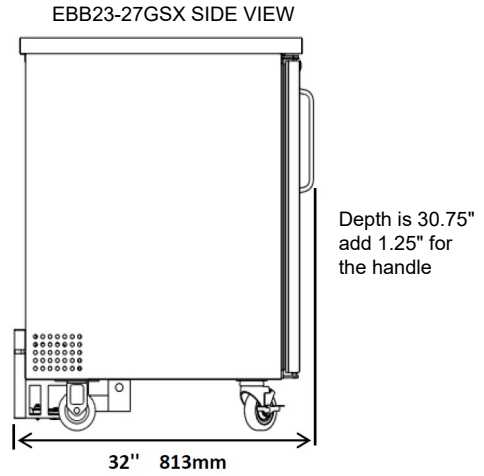
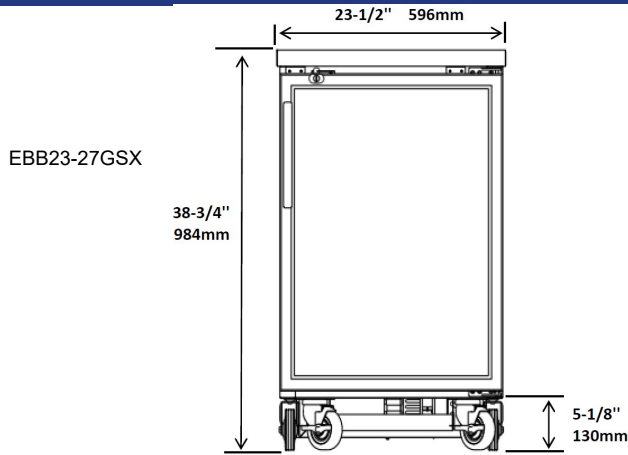
Items	Description	Items	Description
Top	Stainless steel	Temperature control	Solid state thermostat/Digital display
Doors	Glass Swing	Approvals	ETL Listed
Exterior	Stainless steel	Refrigerating system	Capillary tube
Cabinet interior	Stainless steel	Refrigerant	R290
Interior floor	Stainless steel	Temperature range	33F to 41F
Insulation	Polyurethane (CFC free)	Evaporator	Powder coated aluminum/copper
Shelves	Heavy duty, PVC coating	Condensing unit	Bottom mounted

CONFORMS TO NSF/ANSI STD 7

REFRIGERATION



DETAILS AND DIMENSIONS



Model	Doors	Shelves	Cabinet Dim (inches)			HP	Voltage	Amps	NEMA Plug	Cord Length	Crated Weight
			W	D	H						
EBB23-27GSX	1	2	23.5	30.75	38.75	1/6	115/60/1	1.92	5-15P	10	176
EBB58-27GSX	2	4	58.875	27.75	39.625	1/5	115/60/1	2.88	5-15P	10	308
EBB69-27GSX	2	4	69.125	27.75	39.625	1/5	115/60/1	3.60	5-15P	10	359
EBB90-27GSX	3	6	90.375	27.75	39.625	1/4	115/60/1	4.70	5-15P	10	418