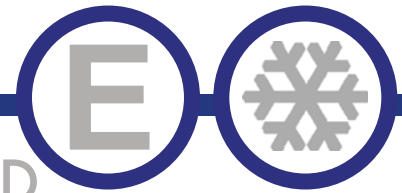




# Series "B"



## BACK BAR COOLER - 24" DEPTH SOLID SWING DOORS STAINLESS STEEL

Models
EBB49-24SX
EBB60-24SX
EBB72-24SX



**EBB49-24SX**



**EBB60-24SX**



**EBB72-24SX**

### STANDARD FEATURES

- Durable stainless steel top, interior walls, floor and ceiling.
- Exterior construction is stainless steel finish.
- Refrigeration system keep the drinks at safe temperatures between 33°F and 41°F .
- Swing glass door, self closing with locks.
- Shelves: Adjustable heavy-duty PVC coated shelves.
- Electronic control system makes it easy to adjust temperature set point and defrost frequency.
- Easy to access condenser coil for cleaning and service.
- Interior efficient LED lighting.
- Uses R290 refrigerant, which is eco-friendly and more efficient.
- 3" swivel casters are included. Option of leveling feet available.
- Warranty: Two year parts & labor, with an additional three years on the compressor.

**\*Not suitable for installation in a non-commercial or residential applications.**

Items	Description	Items	Description
Top	Stainless steel top	Temperature control	Solid state thermostat/Digital display
Doors	SOLID Swing	Approvals	ETL Listed
External	Stainless steel	Refrigerating system	Capillary tube
Cabinet interior	Stainless steel	Refrigerant	R290
Interior floor	Stainless steel	Temperature range	33F to 41F
Insulation	Polyurethane (CFC free)	Evaporator	Powder coated aluminum/copper
Shelves	Heavy duty, PVC coating	Condensing unit	Bottom mounted

**CONFORMS TO NSF/ANSI STD 7**

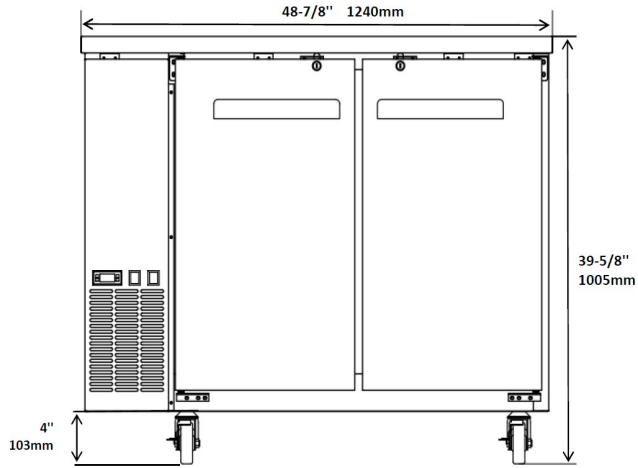
REFRIGERATION



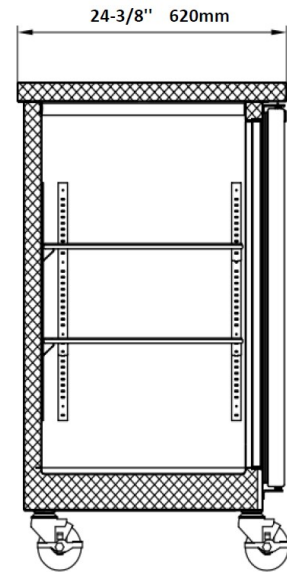


# DETAILS AND DIMENSIONS

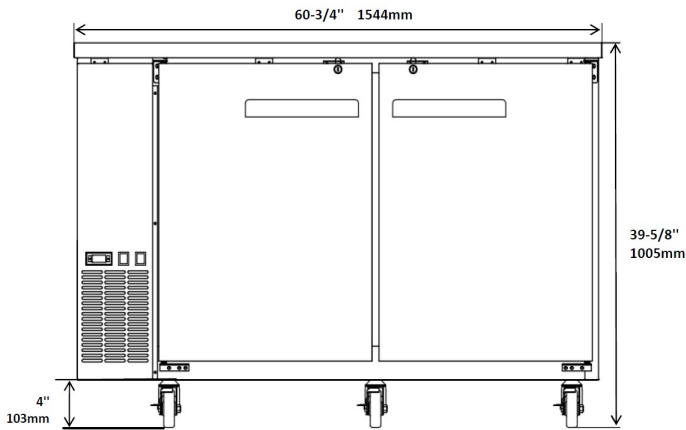
## EBB49-24SX



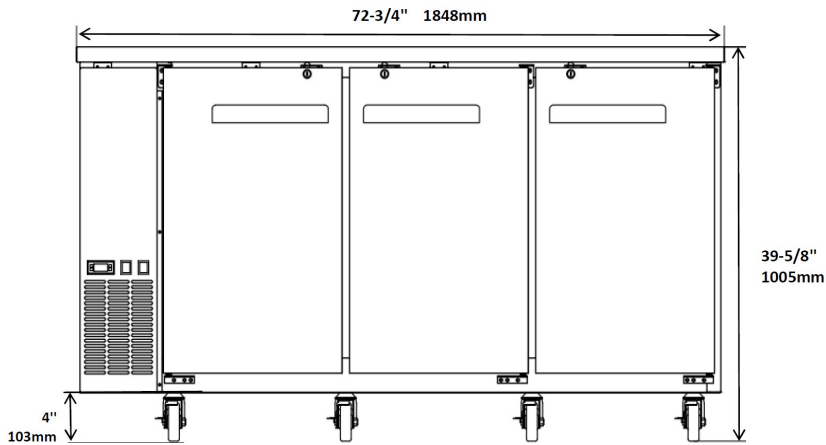
## Side view - All



## EBB60-24SX



## EBB72-24SX



Model	Doors	Shelves	Cabinet Dim (inches)			HP	Voltage	Amps	NEMA Plug	Cord Length	Crated Weight
			W	D	H						
EBB49-24SX	2	4	48.875	24.375	35.625	1/5	115/60/1	2.88	5-15P	10	282
EBB60-24SX	2	4	60.75	24.375	35.625	1/5	115/60/1	2.88	5-15P	10	319
EBB72-24SX	3	6	72.75	24.375	35.625	1/4	115/60/1	3.96	5-15P	10	374