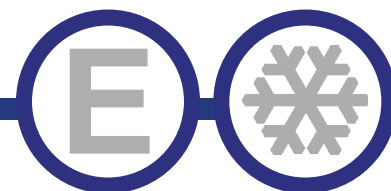


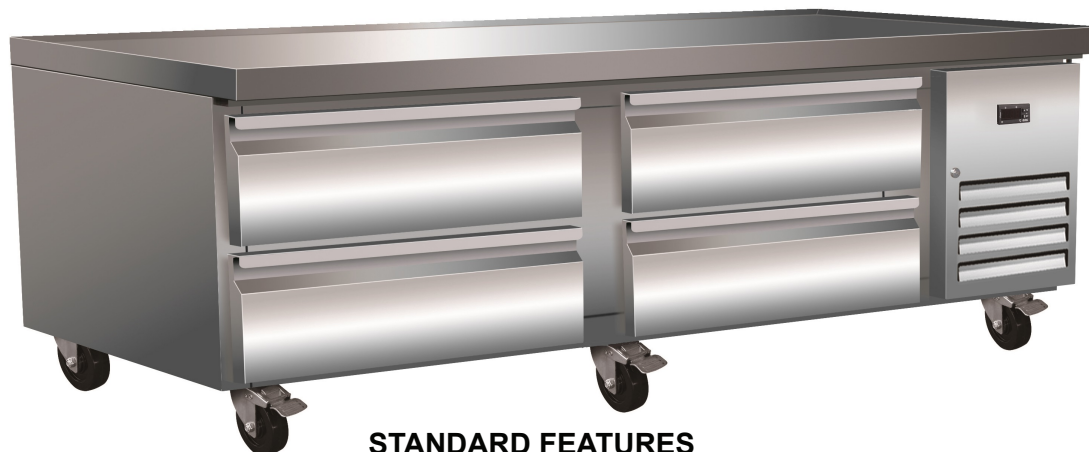


Series "A"



CHEF BASE REFRIGERATOR

Model	Size
ECB72-HD-HC	74" Unit



STANDARD FEATURES

- Drawers with Heavy-duty sliders, maximum weight load per drawer is 265 lbs.
- Maximum weight load is 1,697 lbs.
- Stainless steel interior and exterior retains attractive finish longer. Matching aluminum finished back.
- Stainless steel top equipped with a marine edge enables the unit's top to contain drips and spills for easy cleanup.
- Refrigeration system keeps food at safe temperatures between 34°F and 38°F.
- Electronic control system makes it easy to adjust temperature set point and defrost frequency.
- 6 Heavy-duty swivel casters
- Easy to access condenser coil for cleaning and service.
- Uses R290 refrigerant, which is eco-friendly and more efficient.
- Warranty: One (1) year parts & labor, and additional two years on compressor.

*Not suitable for installation in a non-commercial or residential applications.

Items	Description	Items	Description
Front, top & sides	Stainless steel	Temperature control	Solid state thermostat/Digital display
Drawers	Stainless steel	Approvals	ETL LISTED
External back	Aluminum	Refrigerating system	Capillary tube
Cabinet interior	Stainless Steel	Refrigerant	R290
Interior floor	Stainless steel	Temperature range	34°F to 38°F
Insulation	Polyurethane (CFC free)	Evaporator	Powder coated aluminum/copper
Heavy Duty Drawer	Max Weight per Drawer is 265 lbs.	Condensing unit	Side mounted

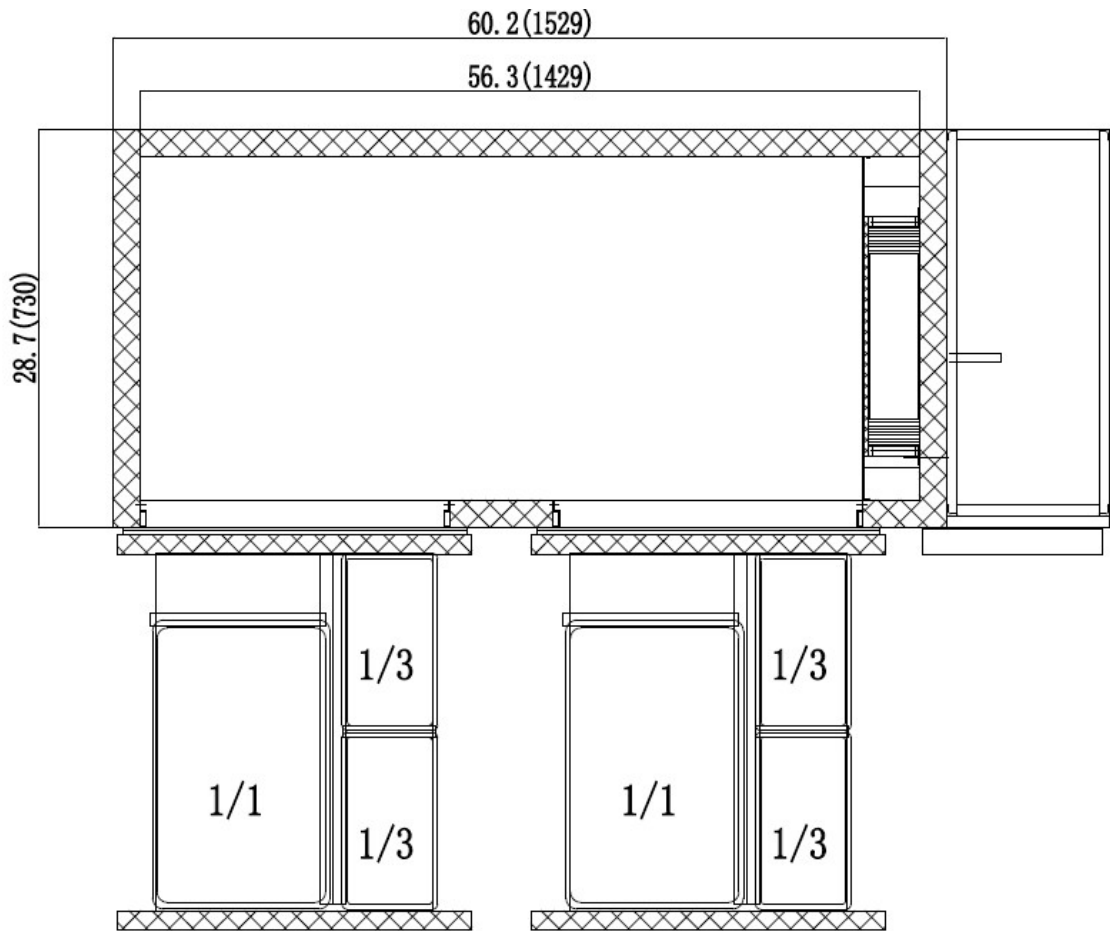
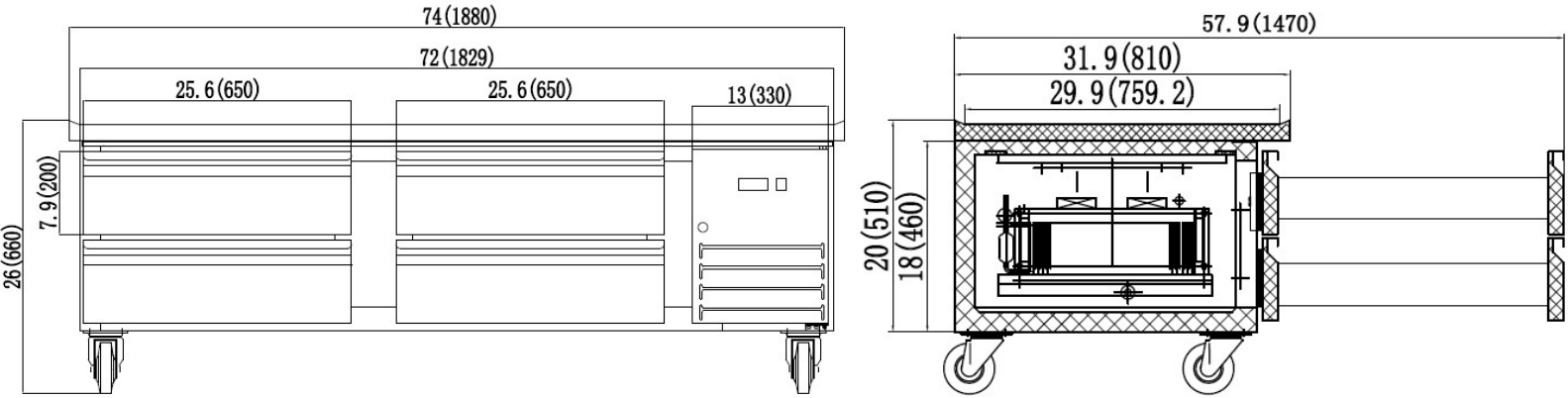
CONFORMS TO NSF/ANSI STD 7





DETAILS AND DIMENSIONS

ECB72-HD-HC



Model	Drawers	GN Pans	Cabinet Dim (inches)			HP	Voltage	Amps	NEMA Plug	Cord Length	Shipping Weight	Crated Dim (inches)		
			L	D	H							L	D	H
ECB72-HD-HC	4	4*1/1+4*1/3	74"	31.9"	26"	1/3	115/60/1	2.1	5-15P	8'	352	75.2"	33"	27.75"