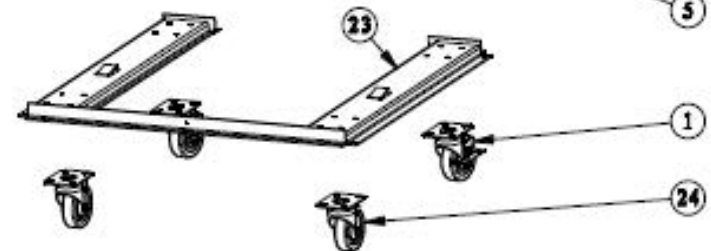
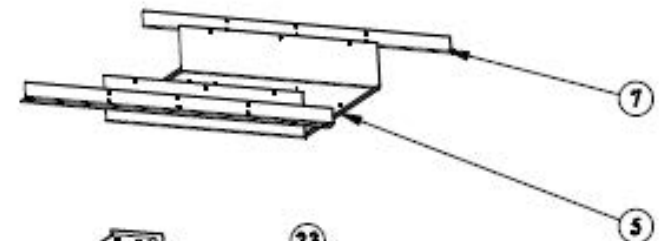
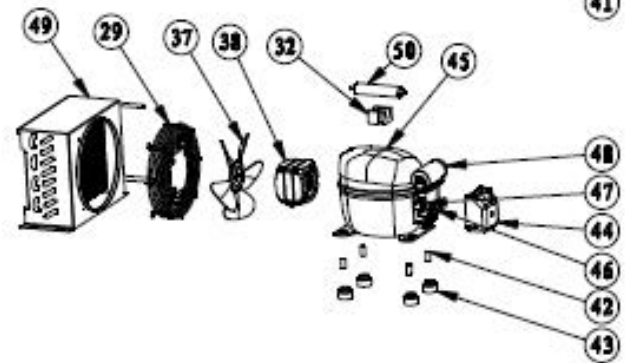
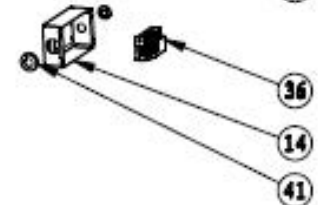
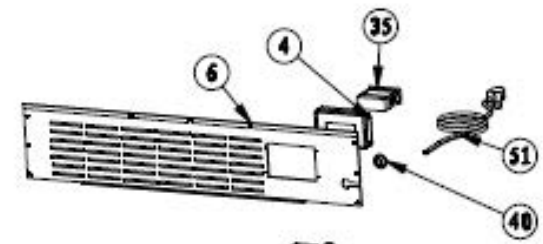
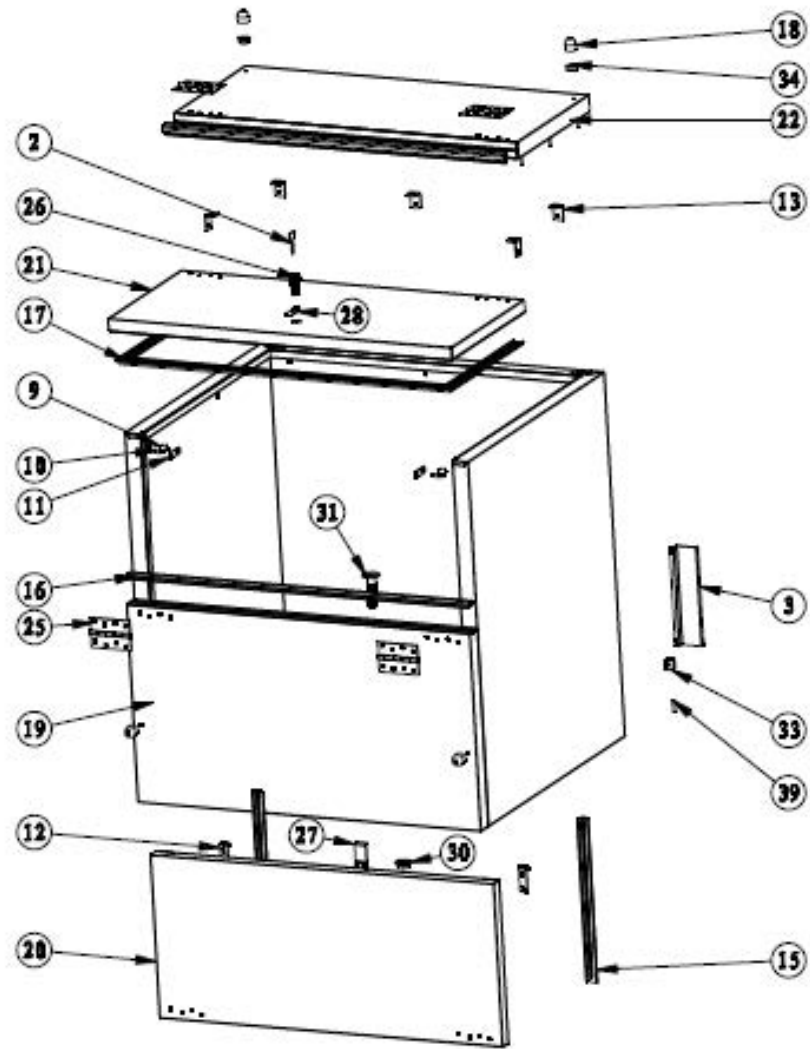




PARTS LIST FOR
COLD WALL MILK COOLERS
MODELS:
EMC34X, EMC49X, EMC58X



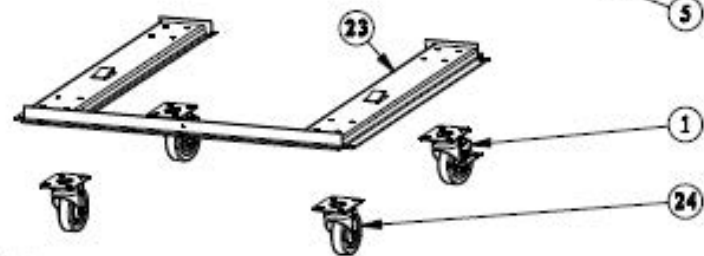
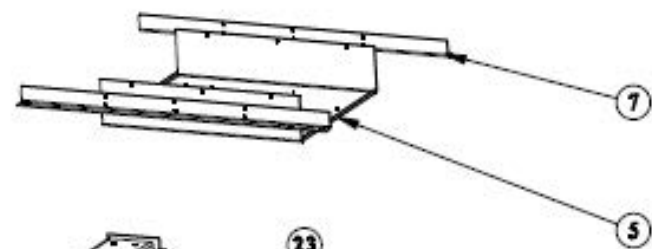
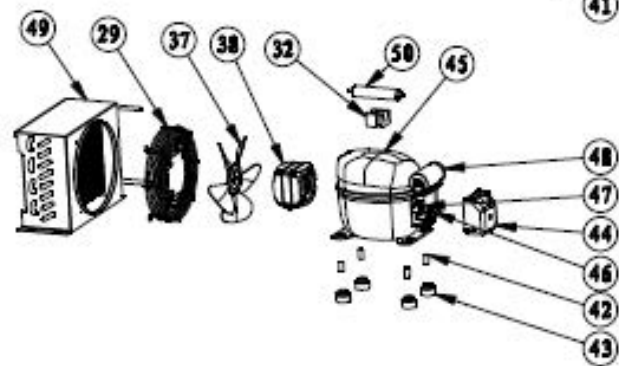
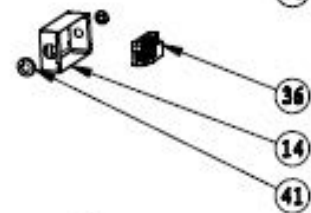
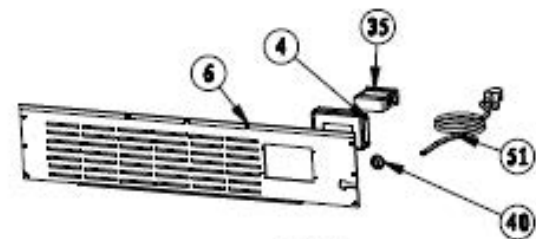
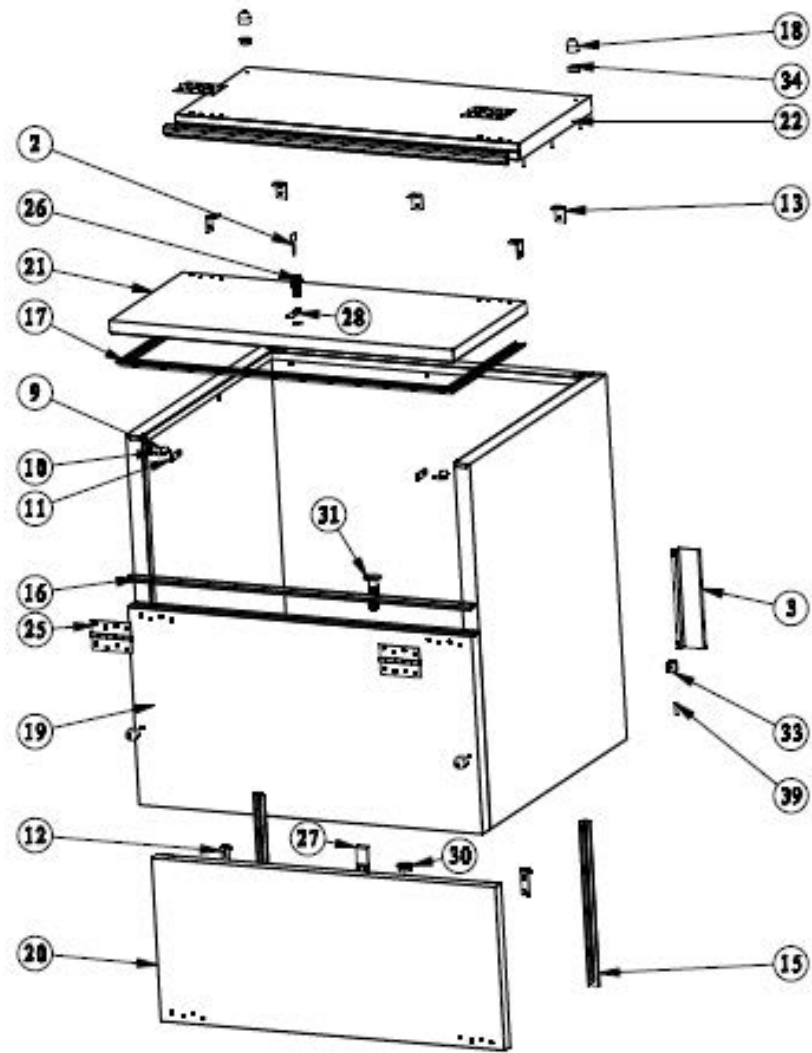
For Parts Call 704-900-2068, Option #2



MODEL EMC34X

NO.	PART #	DESCRIPTION	QTY
1	XX-SCB319	SWIVEL CASTER 4" W/BRAKE	2
2	XMC070003	KEY	1
3	N/A	COVER PANEL FOR TEMP SENSOR (*)	1
4	N/A	THERMOSTAT MOUNTING PLATE (*)	1
5	N/A	COMPRESSOR MOUNTING PLATE (*)	1
6	XMC001290	COVER GRILL	1
7	N/A	COMPRESSOR MOUNTING RAIL (*)	2
8	XMC675770	SHELF (30.3" X 22.6)	2
9	XMC010011	LATCH PIN COVER	2
10	XMC140002	LATCH PIN	2
11	XMC001292	DOOR HOOK	2
12	XMC001293	HOOK BRACKET	2
13	XMC001294	TOP MOUNTING BRACKET	5
14	N/A	JUNCTION BOX (*)	1
15	XMC010393	FRONT DOOR GASKET - SIDE (15.5")	2
16	XMC010860	FRONT DOOR GASKET - BOTTOM (33.85")	2
17	XMC370820	UPPER DOOR GASKET (32.25" X 14.7")	1
18	XSBC01001	REAR SPACER	4
19	N/A	CABINET	1
20	XMC001296	FRONT DOOR	1
21	XMC001297	UPPER DOOR	1
22	XMC001298	MAIN TOP PANEL (*)	1
23	N/A	CASTER MOUNTING CHANNEL (*)	1
24	XX-SC0319	SWIVEL CASTER 4" W/O BRAKE	2
25	XMC030007	DOOR HINGE	4
26	XMC070002	LOCK	1
27	XMC001300	LOCK CATCH	1
28	XMC001301	SPRING BOLT	1
29	X12504050151	CONDENSER FAN MOTOR COVER	1
30	XMC020900	DRAIN PIPE NUT	1
31	XMC050900	DRAIN PIPE	1
32	N/A	FILTER DRIER BRACKET (*)	1
33	(*)	TEMP SENSOR MOUNTING BRACKET	1
34	XMC040004	RUBBER WASHER	2
35	XRI0060	THERMOSTAT (DIXELL XR03CX-4N0F1)	1
36	XTB7170203	TERMINAL BLOCK (*)	1
37	XEFMB023	FAN MOTOR BLADE	1
38	X22752520003	CONDENSER FAN MOTOR	1
39	XX-THT002	TEMPERATURE SENSOR (NTC 60")	1
40	(*)	BUSHING 25MM	2
41	(*)	BUSHING 33MM	1
42	(*)	COMPRESSOR FEET FIXER	4
43	(*)	COMPRESSOR RUBBER FEET	4
44	(*)	COMPRESSOR RELAY COVER	1
45	XX-HC0001	COMPRESSOR (EM2X3117U/115VAC/R290)	1
46	XX-STARTKITHC1	START KIT	1
47		SEE #46	1
48		SEE #46	1
49	XCC000034	CONDENSER COIL	1
50	XX-H00347	FILTER DRIER (D25 X 167-D)	1
51	XX-2194687	POWER CORD SET (16AWG, NEMA 5-15P) 8'	1

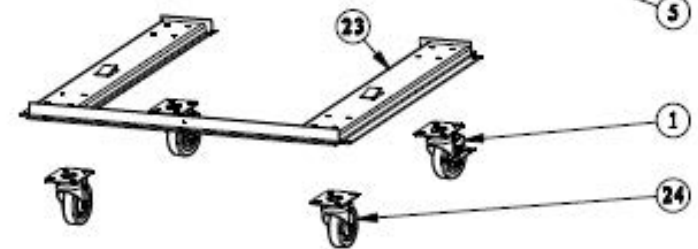
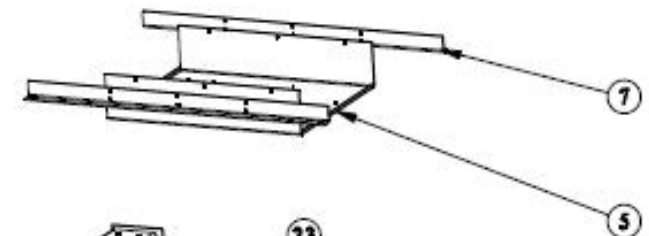
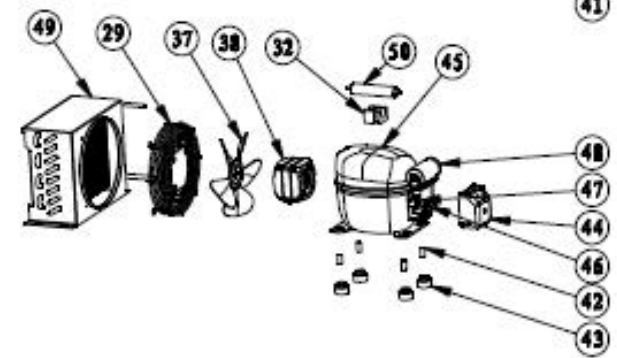
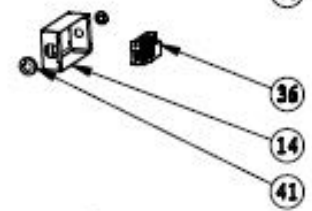
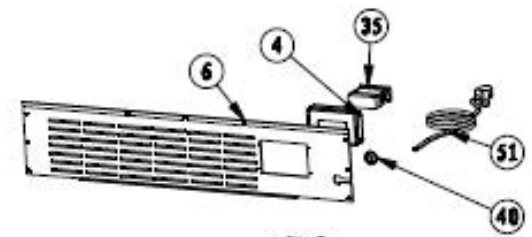
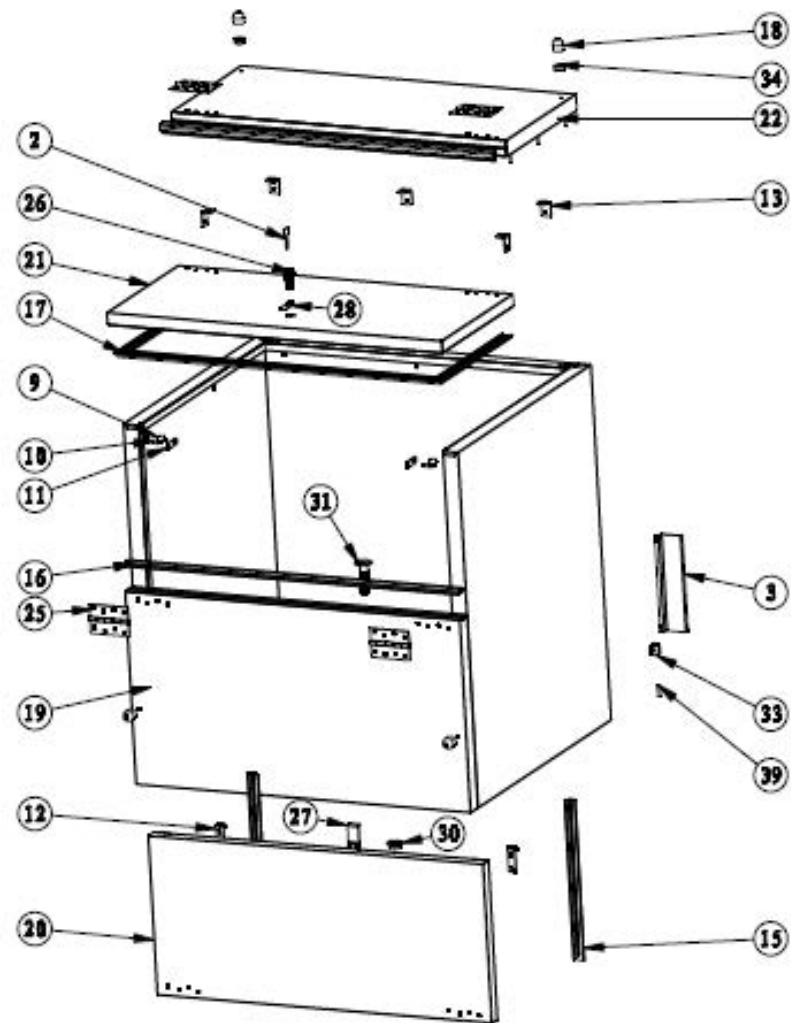
(*) Non Stocking Part



MODEL EMC49X

NO.	PART #	DESCRIPTION	QTY
1	XX-SCB319	SWIVEL CASTER 4" W/BRAKE	2
2	XMC070003	KEY	1
3	N/A	COVER PANEL FOR TEMP SENSOR (*)	1
4	N/A	THERMOSTAT MOUNTING PLATE (*)	1
5	N/A	COMPRESSOR MOUNTING PLATE (*)	1
6	XMC001302	COVER GRILL	1
7	(*)	COMPRESSOR MOUNTING RAIL (*)	2
8	XMC575675	SHELF (26.5" X 22.6")	2
9	XMC010011	LATCH PIN COVER	2
10	XMC140002	LATCH PIN	2
11	XMC001292	DOOR HOOK	2
12	XMC001293	HOOK BRACKET	2
13	XMC001294	TOP MOUNTING BRACKET	5
14	N/A	JUNCTION BOX (*)	1
15	XMC010393	FRONT DOOR GASKET - SIDE (15.5")	2
16	XMC011242	FRONT DOOR GASKET - BOTTOM (48.9")	2
17	XMC371200	UPPER DOOR GASKET (47.25" X 14.7")	1
18	XSBC01001	REAR SPACER	4
19	N/A	CABINET	1
20	XMC001304	FRONT DOOR	1
21	XMC001305	UPPER DOOR	1
22	XMC001306	MAIN TOP PANEL (*)	1
23	N/A	CASTER MOUNTING CHANNEL (*)	1
24	XX-SC0319	SWIVEL CASTER 4" W/O BRAKE	2
25	XMC030007	DOOR HINGE	4
26	XMC070002	LOCK	1
27	XMC001300	LOCK CATCH	1
28	XMC001301	SPRING BOLT	1
29	X12504050151	CONDENSER FAN MOTOR COVER	1
30	XMC020900	DRAIN PIPE NUT	1
31	XMC050900	DRAIN PIPE	1
32	N/A	FILTER DRIER BRACKET (*)	1
33	(*)	TEMP SENSOR MOUNTING BRACKET	1
34	XMC040004	RUBBER WASHER	2
35	XRI0060	THERMOSTAT (DIXELL XR03CX-4N0F1)	1
36	XTB7170203	TERMINAL BLOCK (*)	1
37	XEFMB023	FAN MOTOR BLADE	1
38	X22752520003	CONDENSER FAN MOTOR	1
39	XX-THT002	TEMPERATURE SENSOR (NTC 60")	1
40	(*)	BUSHING 25MM	2
41	(*)	BUSHING 33MM	1
42	(*)	COMPRESSOR FEET FIXER	4
43	(*)	COMPRESSOR RUBBER FEET	4
44	(*)	COMPRESSOR RELAY COVER	1
45	XX-HC0001	COMPRESSOR (EM2X3117U/115VAC/R290)	1
46	XX-STARTKITHC1	START KIT (EM2X3117U)	1
47		SEE #46	1
48		SEE #46	1
49	XCC000034	CONDENSER COIL	1
50	XX-H00347	FILTER DRIER (D25 X 167-D)	1
51	XX-2194687	POWER CORD SET (16AWG, NEMA 5-15P) 8'	1

(*) Non Stocking Part



MODEL EMC58X

NO.	PART #	DESCRIPTION	QTY
1	XX-SCB319	SWIVEL CASTER 4" W/BRAKE	2
2	XMC070003	KEY	1
3	N/A	COVER PANEL FOR TEMP SENSOR (*)	1
4	N/A	THERMOSTAT MOUNTING PLATE (*)	1
5	N/A	COMPRESSOR MOUNTING PLATE (*)	1
6	XMC001308	COVER GRILL	1
7	(*)	COMPRESSOR MOUNTING RAIL (*)	2
8	XMC675690	SHELF (27.16" X 22.6")	2
9	XMC010011	LATCH PIN COVER	2
10	XMC140002	LATCH PIN	2
11	XMC001292	DOOR HOOK	2
12	XMC001293	HOOK BRACKET	2
13	XMC001294	TOP MOUNTING BRACKET	5
14	N/A	JUNCTION BOX (*)	1
15	XMC010393	FRONT DOOR GASKET - SIDE (15.5")	2
16	XMC011473	FRONT DOOR GASKET - BOTTOM (58")	2
17	XMC371430	UPPER DOOR GASKET (56.25" X 14.7")	1
18	XSBC01001	REAR SPACER	4
19	N/A	CABINET	1
20	XMC001310	FRONT DOOR	1
21	XMC001311	UPPER DOOR	1
22	XMC001312	MAIN TOP PANEL (*)	1
23	N/A	CASTER MOUNTING CHANNEL (*)	1
24	XX-SC0319	SWIVEL CASTER 4" W/O BRAKE	2
25	XMC030007	DOOR HINGE	4
26	XMC070002	LOCK	1
27	XMC001300	LOCK CATCH	1
28	XMC001301	SPRING BOLT	1
29	X12504050151	CONDENSER FAN MOTOR COVER	1
30	XMC020900	DRAIN PIPE NUT	1
31	XMC050900	DRAIN PIPE	1
32	N/A	FILTER DRIER BRACKET (*)	1
33	(*)	TEMP SENSOR MOUNTING BRACKET	1
34	XMC040004	RUBBER WASHER	2
35	XRI0060	THERMOSTAT (DIXELL XR03CX-4N0F1)	1
36	XTB7170203	TERMINAL BLOCK (*)	1
37	XEFMB023	FAN MOTOR BLADE	1
38	X22752520003	CONDENSER FAN MOTOR	1
39	XX-THT002	TEMPERATURE SENSOR (NTC 60")	1
40	(*)	BUSHING 25MM	2
41	(*)	BUSHING 33MM	1
42	(*)	COMPRESSOR FEET FIXER	4
43	(*)	COMPRESSOR RUBBER FEET	4
44	(*)	COMPRESSOR RELAY COVER	1
45	XX-HC0001	COMPRESSOR (EM2X3117U/115VAC/R290)	1
46	XX-STARTKITHC1	START KIT (EM2X3117U)	1
47		SEE #46	1
48		SEE #46	1
49	XCC000034	CONDENSER COIL	1
50	XX-H00347	FILTER DRIER (D25 X 167-D)	1
51	XX-2194687	POWER CORD SET (16AWG, NEMA 5-15P) 8'	1

(*) Non Stocking Part



PARTS LIST FOR
COLD WALL MILK COOLERS
MODELS:
EMC34X, EMC49X, EMC58X



For Parts Call 704-900-2068, Option #2