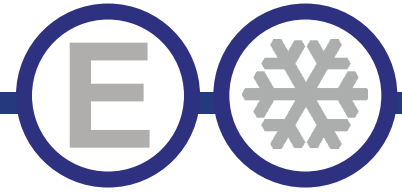




NEW IMPROVED DESIGN

Series "B"



ICE CREAM DIPPING CABINETS



The red lines showing the direction of refrigeration lines, improved for more efficiency and dependability



EDC26X
EDC35X

Model	Size
EDC18X	47" Unit
EDC26X	67" Unit
EDC35X	88" Unit

STANDARD FEATURES

- **New improved design.** Cold wall lines run around the perimeter of the cabinet allowing for more uniform temperature and dependability!
- Stainless steel top, with glass viewing window. White aluminum interior and exterior.
- Refrigeration system keeps ice cream at temperatures between -10°F and -5°F
- Transparent lids hinged with a full length handle.
- Ice Cream Tub Holders and Tub Covers included with night covers.
- Electronic control system makes it easy to adjust temperature set point and defrost frequency.
- Pre-installed 3" swivel casters with brakes.
- Easy to access condenser coil for cleaning and service.
- Uses R290 refrigerant, which is eco-friendly and more efficient.
- Interior efficient LED lighting
- Warranty: One year parts & labor warranty, and additional two years on compressor.

*Not suitable for installation in a non-commercial or residential applications.

Items	Description	Items	Description
Top	Stainless steel	Temperature control	Solid state thermostat/Digital display
Doors	Transparent hinged lid	Approvals	ETL LISTED
External back	White Aluminum	Refrigerating system	Capillary tube
Cabinet interior	White Aluminum	Refrigerant	R290
Interior floor	White Aluminum	Temperature range	-10°F to -5°F
Insulation	Polyurethane (CFC free)	Evaporator	Powder coated aluminum/copper
		Condensing unit	Bottom mounted

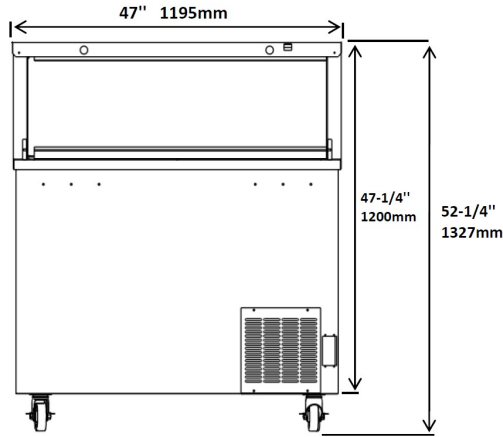
CONFORMS TO NSF/ANSI STD 7

REFRIGERATION



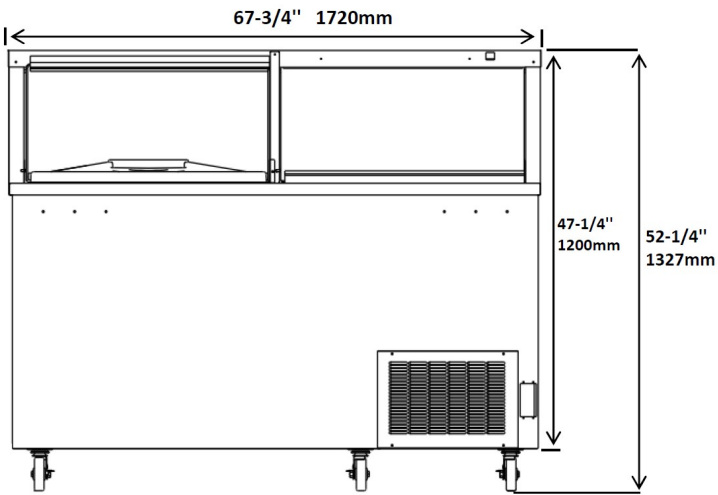
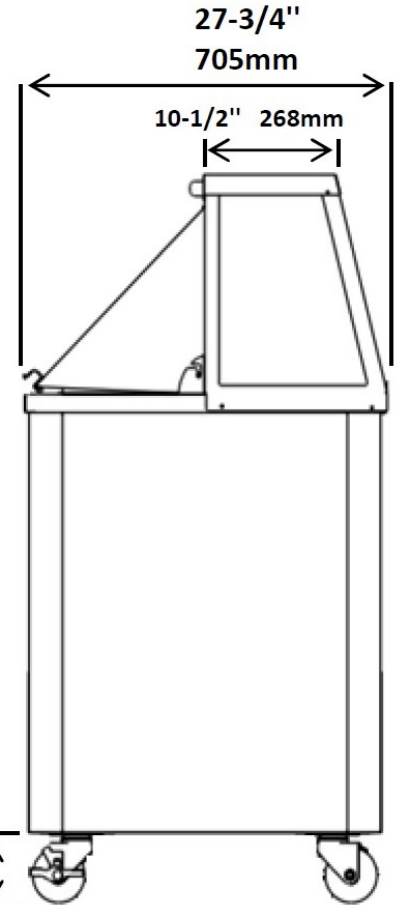


DETAILS AND DIMENSIONS

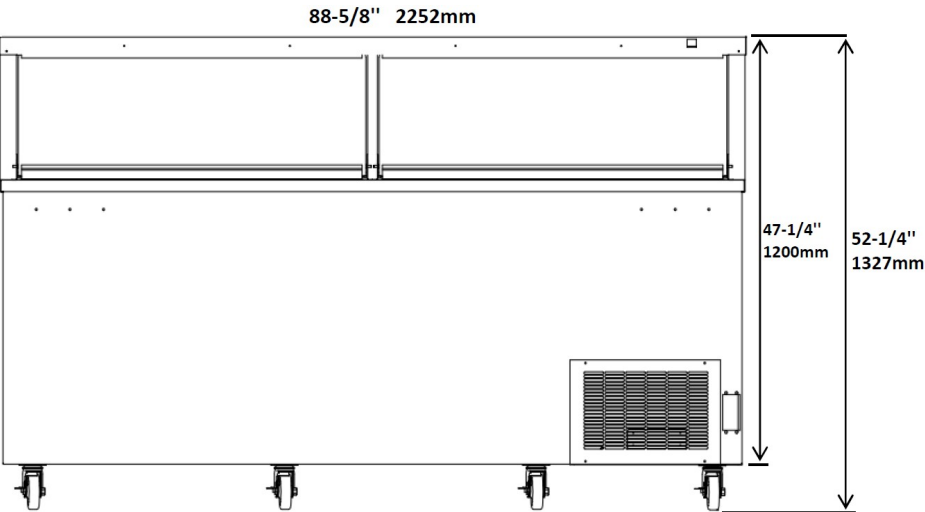


EDC26X

SIDE VIEW ALL



EDC26X



EDC35X

Model	LIDS	RACKS	CAPACITY (3 GAL.)		Cabinet Dim (inches)			HP	Voltage	Amps	NEMA Plug	Cord Length	Ship Weight
			Display	Storage	W	D	H						
EDC18X	1	4	8	4	47	27.75	52.25	1/4	115/60/1	5.16	5-15P	10	345
EDC26X	2	6	12	8	67.75	27.75	52.25	1/2	115/60/1	5.64	5-15P	10	431
EDC35X	2	8	16	12	88.625	27.75	52.25	1	115/60/1	6.00	5-15P	10	528