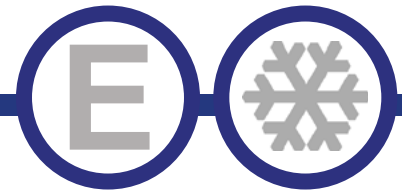




Series "B"



REFRIGERATORS AND FREEZERS TOP MOUNT COMPRESSOR

Model	Doors
ERT1X	1
ERT2X	2
EFT1X	1
EFT2X	2



ERT1X



EFT2X

STANDARD FEATURES

- Stainless steel exterior & interior and galvanized back. Option of bright white aluminum interior available.
- Refrigeration system keeps food at safe temperatures between 33°F and 41°F (0.5°C to 5°C), and freezers -8°F and 0°F (-11°C to -18°C)
- Self-Closing doors with 90 degree stay-open feature. Locks and keys included.
- Shelves: Adjustable heavy-duty PVC coated shelves.
- Electronic control system makes it easy to adjust temperature set point and defrost frequency.
- Preinstalled 4" swivel casters with brakes.
- Removable rear cover makes it easy to access condenser coil for cleaning and service.
- Uses R290 refrigerant, which is eco-friendly and more efficient.
- Interior efficient LED lighting.
- Warranty: Two year parts & labor warranty, and additional 3 years on compressor.

*Not suitable for installation in a non-commercial or residential applications.

Items	Description	Items	Description
Front, top & sides	Stainless steel	Temperature control	Solid state thermostat/Digital display
Doors	Stainless steel/Stainless steel liner	Approvals	ETL Listed
External back	Galvanized	Refrigerating system	Capillary tube
Cabinet interior	Stainless steel	Refrigerant	R290
Interior floor	Stainless Steel	Temperature range	(R) 33°F-41°F; (F) -8° to -0°F
Insulation	Polyurethane (CFC free)	Evaporator	Powder coated aluminum/copper
Shelves	Heavy duty, PVC coating	Condensing unit	Top mounted

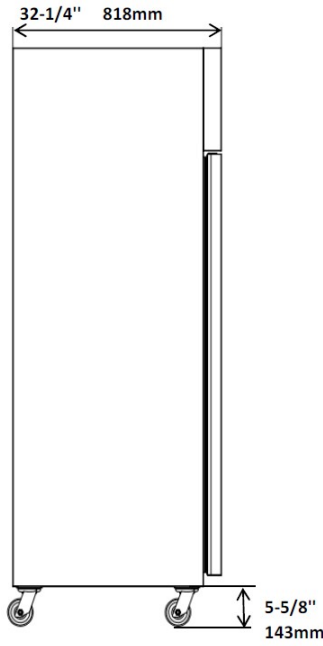
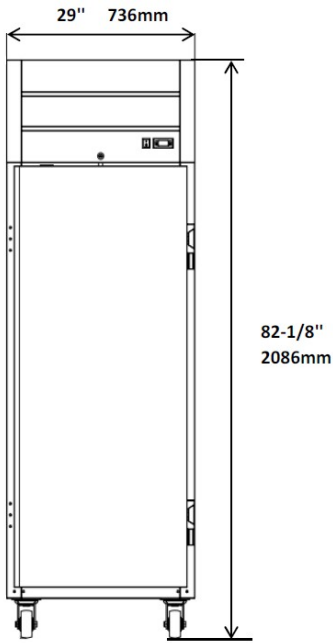
CONFORMS TO NSF/ANSI STD 7

REFRIGERATION

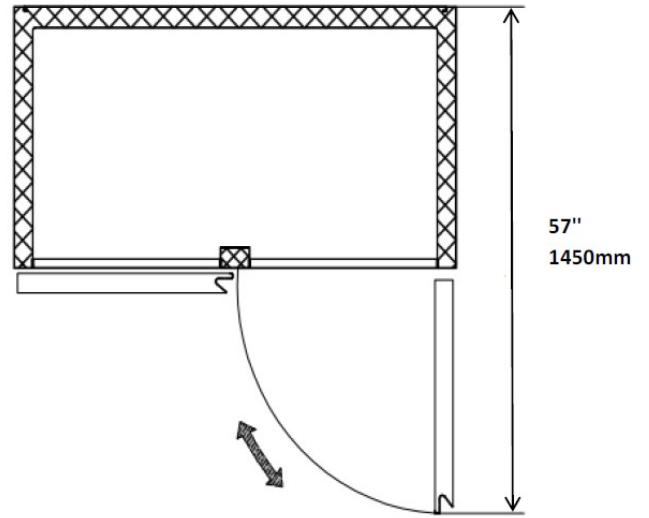
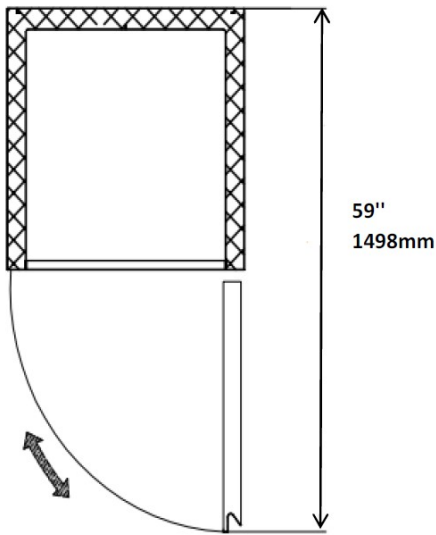
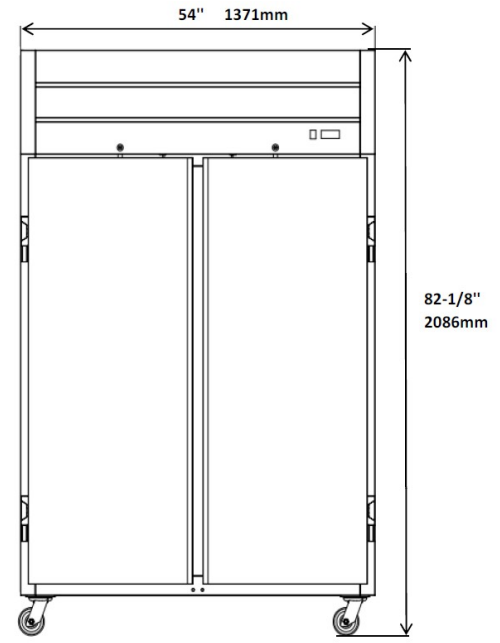


DETAILS AND DIMENSIONS

ERT1X
EFT1X



ERT2X
EFT2X



Model	Doors	Shelves	Cabinet Dim (inches)			HP	Voltage	Amps	NEMA Plug	Cord Length	Crated Weight
			L	D	H						
ERT1X	1	3	29	32.25	82.125	1/3	115/60/1	2.9	5-15P	10	297
ERT2X	2	6	54	32.25	82.125	1/2	115/60/1	5.1	5-15P	10	484
EFT1X	1	3	29	32.25	82.125	2/3	115/60/1	5.1	5-15P	10	297
EFT2X	2	6	54	32.25	82.125	3/4	115/60/1	7.1	5-15P	10	484