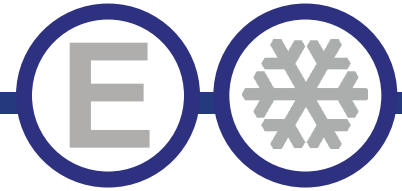




Series "B"



COLD WALL MILK COOLER



EMC34X
EMC34-SX



EMC49X
EMC49-SX



EMC58X
EMC58-SX

Model	Size
EMC34X/EMC34-SX	34" Unit
EMC49X/EMC49-SX	49" Unit
EMC58X/EMC58-SX	58" Unit

Model including "-S" are for Stainless steel exterior.

STANDARD FEATURES

- Standard white-coated steel exterior with stainless steel lid and door with lock and latch. Interior is NSF approved stainless steel liner and floor.
- Option for all stainless steel exterior available.
- Heavy duty construction: CFC and HCFC-free foamed-in-place polyurethane insulation.
- Refrigeration system: Single access, cold wall milk coolers maintain milk temperature of 33°F - 38°F.
- Electronic control system makes it easy to adjust temperature set point.
- Pre-installed 4" swivel casters with brakes.
- Easy to access condenser coil for cleaning and service.
- Uses R290 refrigerant, which is eco-friendly and more efficient.
- Bottom floor drain is centrally located for easy cleaning, connection to drain how with hose adapter.
- Warranty: Two year parts & labor warranty, and additional three years on compressor.

*Not suitable for installation in a non-commercial or residential applications.

Items	Description	Items	Description
Top & Exterior	White coated steel or Stainless steel	Temperature control	Solid state thermostat/Digital display
Lid	Stainless Steel.	Approvals	ETL LISTED
External back	White coated steel or Stainless steel	Refrigerating system	Capillary tube
Cabinet interior	Stainless Steel	Refrigerant	R290
Interior floor	Stainless Steel	Temperature range	33°F to 38°F
Insulation	Polyurethane (CFC free & HCFC)	Evaporator	Powder coated aluminum/copper
		Condensing unit	Bottom mounted

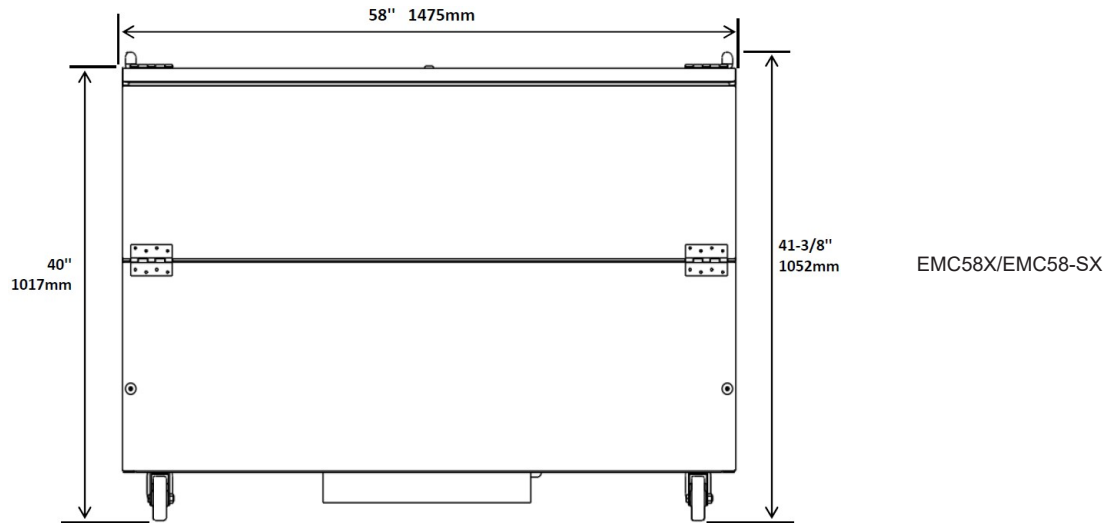
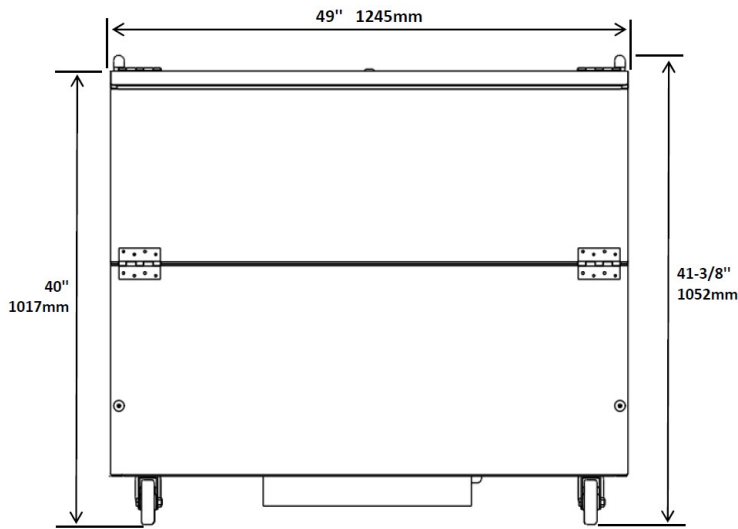
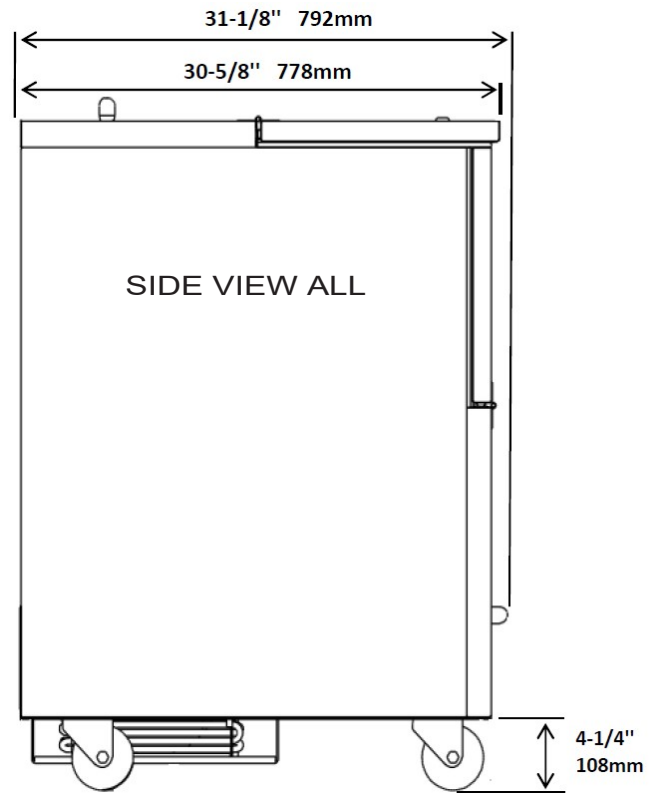
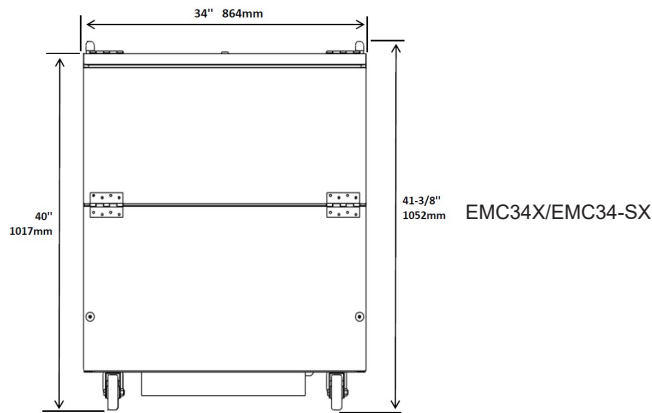
CONFORMS TO NSF/ANSI STD 7

REFRIGERATION





DETAILS AND DIMENSIONS



Model	Doors	Capacity (Cases)		Cabinet Dim (inches)			HP	Voltage	Amps	NEMA Plug	Cord Length	Ship Weight
		13"X13"X11"	19"X13"X11"	W	D	H						
EMC34X/EMC34-SX	2	8	4	34.00	30.625	40.00	1/5	115/60/1	2.28	5-15P	10	220
EMC49X/EMC49-SX	2	12	8	49.00	30.625	40.00	1/5	115/60/1	2.28	5-15P	10	286
EMC58X/EMC58-SX	2	16	10	58.00	30.625	40.00	1/5	115/60/1	2.28	5-15P	10	321