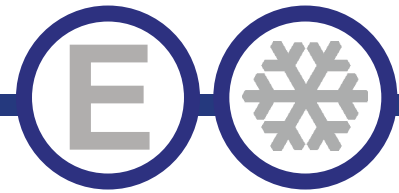




Series "B"



Undercounter Freezer Units



| Model | Size |
|--------|----------|
| EUF27X | 29" Unit |
| EUF36X | 36" Unit |
| EUF47X | 47" Unit |
| EUF60X | 60" Unit |

STANDARD FEATURES

- Stainless steel exterior, aluminum interior and back.
- Refrigeration system keeps food at safe temperatures between -8°F and 0°F
- Self-Closing doors with 90 degree stay-open feature.
- Shelves: Adjustable heavy-duty PVC coated shelves.
- Electronic control system makes it easy to adjust temperature set point and defrost frequency.
- Pre-installed 4" swivel casters with brakes.
- Easy to access condenser coil for cleaning and service.
- Uses R290 refrigerant, which is eco-friendly and more efficient.
- Warranty: Two year parts & labor warranty, and additional three years on compressor.

*Not suitable for installation in a non-commercial or residential applications.

| Items | Description | Items | Description |
|--------------------|-------------------------|----------------------|--|
| Front, top & sides | Stainless steel | Temperature control | Solid state thermostat/Digital display |
| Doors | Stainless steel | Approvals | ETL LISTED |
| External back | Aluminum | Refrigerating system | Capillary tube |
| Cabinet interior | Aluminum | Refrigerant | R290 |
| Interior floor | Stainless steel | Temperature range | -8°F to 0°F |
| Insulation | Polyurethane (CFC free) | Evaporator | Powder coated aluminum/copper |
| Shelves | Heavy duty, PVC coating | Condensing unit | Bottom mounted |

CONFORMS TO NSF/ANSI STD 7

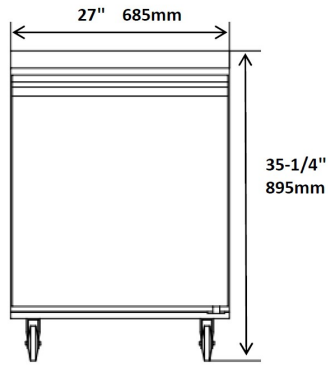
REFRIGERATION



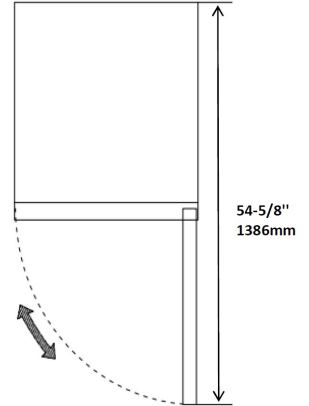
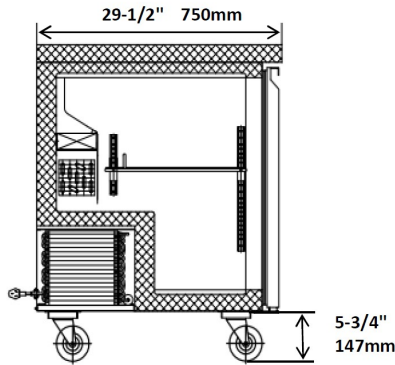


DETAILS AND DIMENSIONS

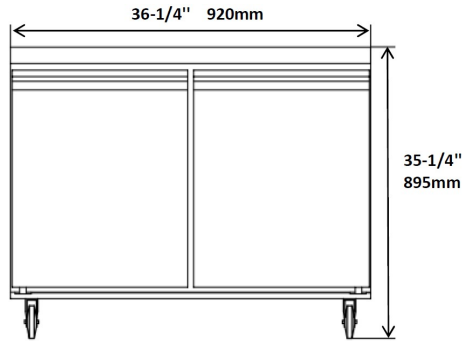
EUF27X



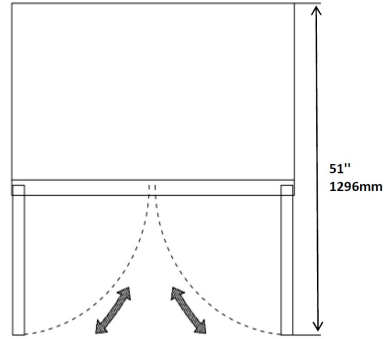
Side View Same For All



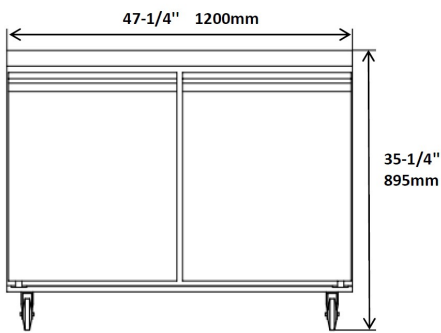
EUF36X



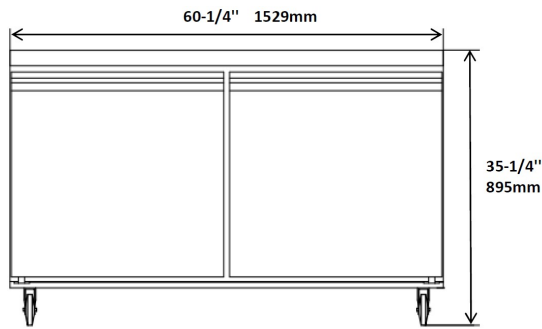
EUF36X & EUF47X



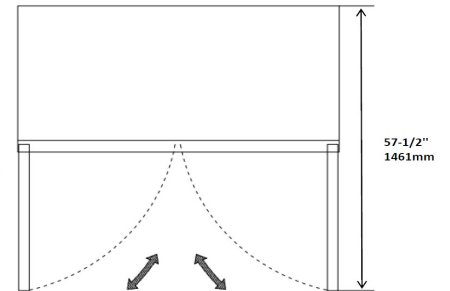
EUF47X



EUF60X



EUF60X



| Model | Doors | Shelves | Cabinet Dim (inches) | | | HP | Voltage | Amps | NEMA Plug | Cord Length | Ship Weight |
|--------|-------|---------|----------------------|------|-------|-----|----------|------|-----------|-------------|-------------|
| | | | L | D | H | | | | | | |
| EUF27X | 1 | 1 | 27 | 29.5 | 35.25 | 1/5 | 115/60/1 | 2.1 | 5-15P | 10 | 233 |
| EUF36X | 2 | 2 | 36.25 | 29.5 | 35.25 | 1/5 | 115/60/1 | 4.5 | 5-15P | 10 | 245 |
| EUF47X | 2 | 2 | 47.25 | 29.5 | 35.25 | 1/4 | 115/60/1 | 3.1 | 5-15P | 10 | 312 |
| EUF60X | 2 | 2 | 60.2 | 29.5 | 35.25 | 1/2 | 115/60/1 | 5.0 | 5-15P | 10 | 323 |