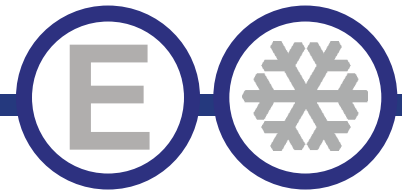




Series "B"



Salad and Sandwich Unit With Drawers

Model	Size
EMST27E-2DX	29" Unit



EMST27E-2DX

STANDARD FEATURES

- Stainless steel exterior and interior and back, matching aluminum finish in rear.
- Rounded corner design inside of the cabinet makes it easy to clean.
- Magnetic drawer gaskets removable with tools for easy cleaning
- R290 Refrigeration System hold 33°F to 41°F for the best food preservation.
- Drawers with heavy duty guides and rollers.
- Electronic control system makes it easy to adjust temperature set point and defrost frequency. Error code to diagnose service issues.
- Pre-installed 4" swivel casters with brakes.
- Easy to access condenser coil for cleaning and service.
- Insulated lid on prep unit helps maintain food freshness.
- **WARRANTY:** Two (2) Years parts & labor, Compressor Five (5) years. Drawers one (1) year

*Not suitable for installation in a non-commercial or residential applications.

Items	Description	Items	Description
Front, top & sides	Stainless steel	Temperature control	Solid state thermostat/Digital display
Doors	Stainless steel	Approvals	ETL LISTED
External back	Aluminum	Refrigerating system	Capillary tube
Cabinet interior	Stainless steel	Refrigerant	R290
Interior floor	Stainless steel	Temperature range	33°F to 41°F
Insulation	Polyurethane (CFC free)	Evaporator	Powder coated aluminum/copper
Shelves	Heavy duty, PVC coating	Condensing unit	Bottom mounted

CONFORMS TO NSF/ANSI STD 7

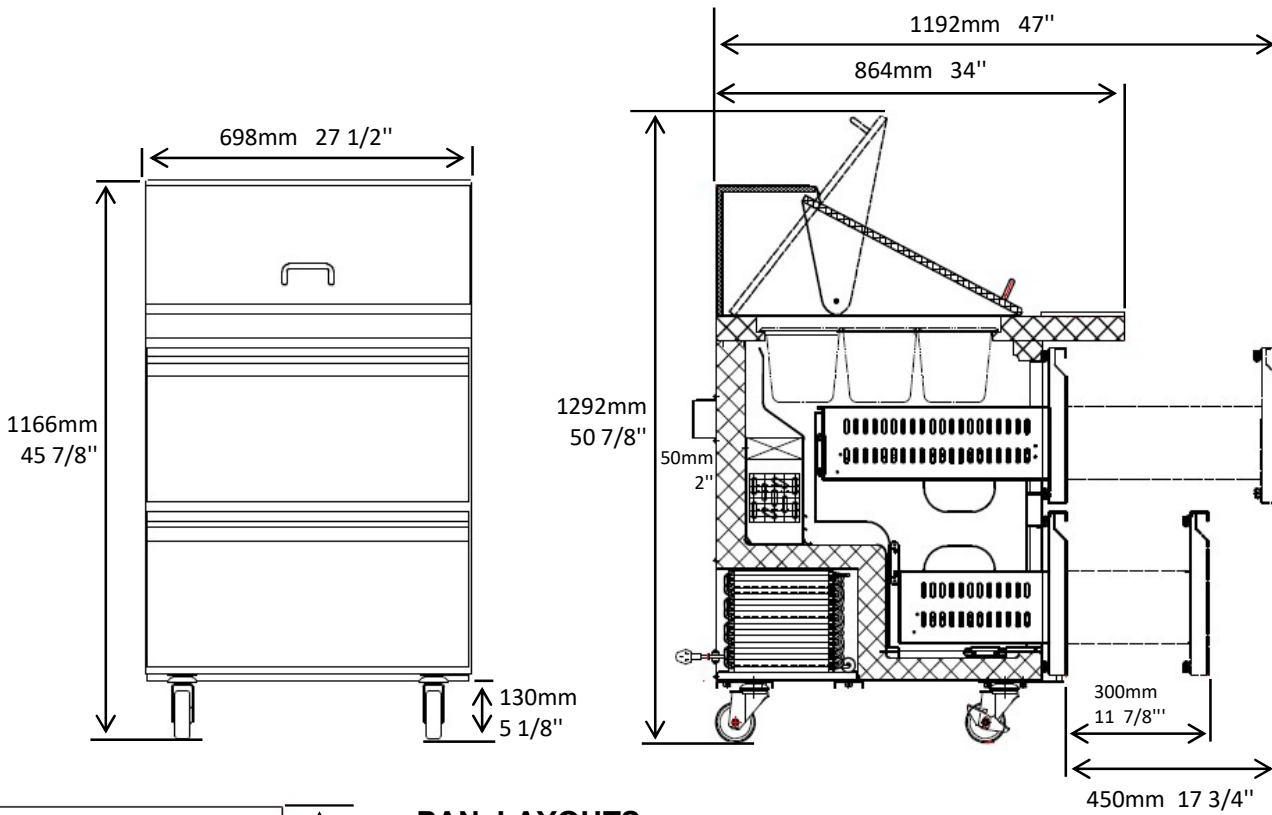
REFRIGERATION





DETAILS AND DIMENSIONS

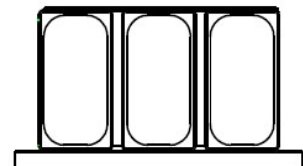
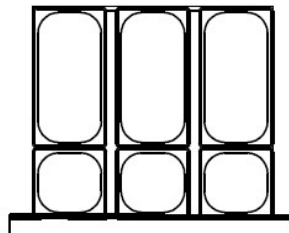
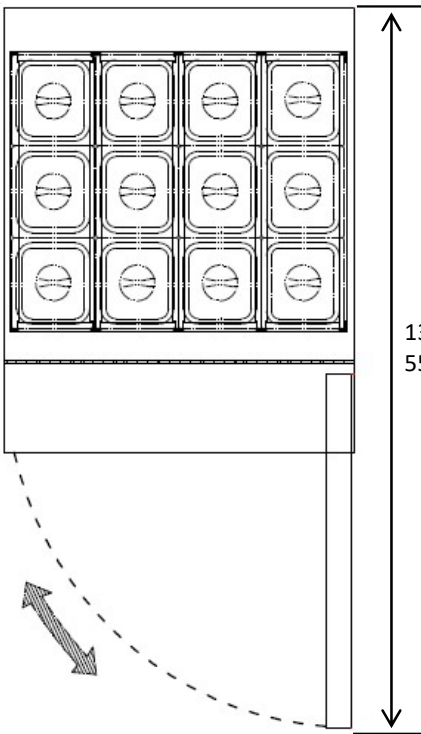
EMST27E-2DX



PAN LAYOUTS

Top Rail
12 (pcs) 1/6 pans

Top Drawer
3 (pcs) 1/3 pans
3 (pcs) 1/6 pans



Model	Drawers	Pans	Cabinet Dim (inches)			HP	Voltage	Amps	NEMA Plug	Cord Length	Shipping Weight
			L	D	H						
EMST27E-2DX	2	8	27.5	34	44.875	1/5	115/60/1	4.5	5-15P	10	265 lbs