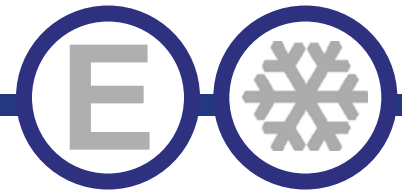




# Series "B"



## MERCHANDISER REFRIGERATOR



EGM21X

EGM28X



EGM26X

Model	Doors
EGM21X	1
EGM26X	1
EGM28X	1

### STANDARD FEATURES

- Exterior: Coated steel. Black or white or Stainless steel finish available.
- Interior: Attractive aluminum liner with stainless steel floor.
- Refrigeration system maintains temperatures between 33°F and 41°F .
- Self-Closing double pane glass door with positive seal.
- Shelves: Adjustable heavy-duty PVC coated shelves.
- Electronic control system makes it easy to adjust temperature set point and defrost frequency.
- Easy to access condenser coil for cleaning and service.
- Uses R290 refrigerant, which is eco-friendly and more efficient.
- Interior efficient LED lighting.
- 2" Swivel Caster are pre-installed on EGM21X and EGM26X. 3" Swivel Casters are pre-installed on EGM28X
- Warranty: Two year parts & labor warranty, and additional 3 years on compressor.

\*Not suitable for installation in a non-commercial or residential applications.

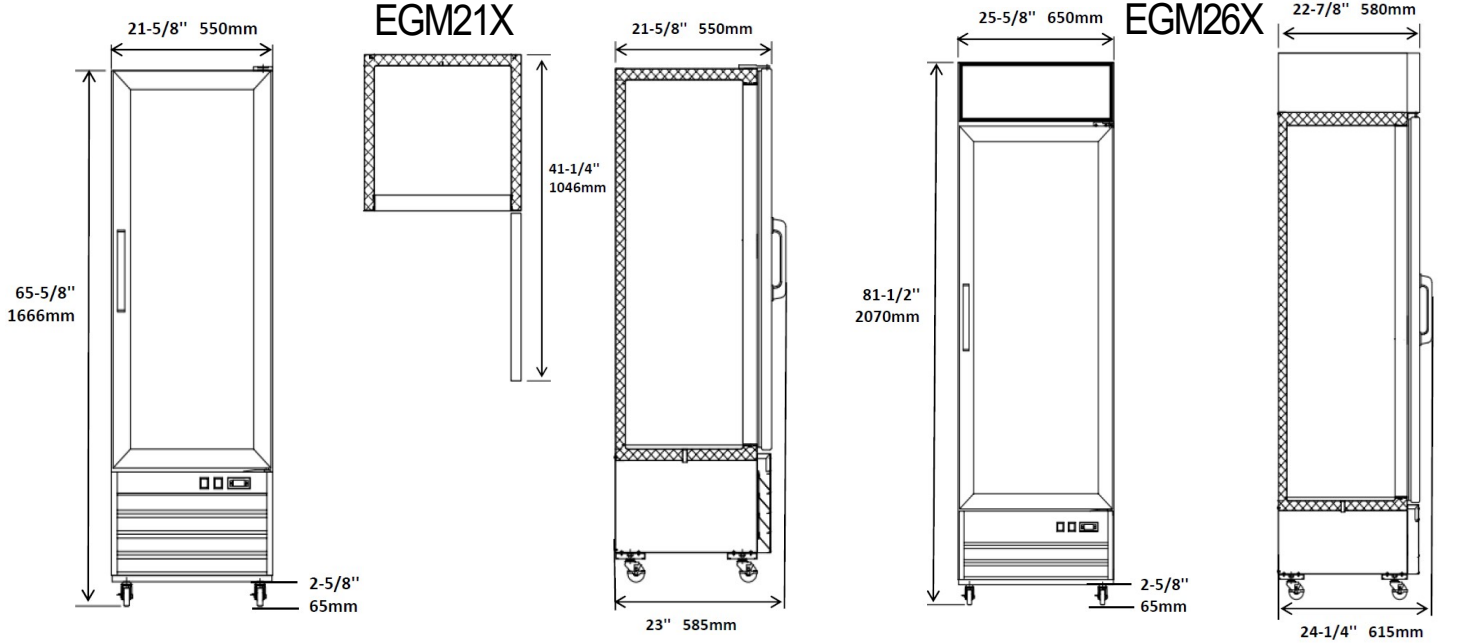
Items	Description	Items	Description
Front, top & sides	Coated steel	Temperature control	Solid state thermostat/Digital display
Doors	Double Pane Glass Swing	Approvals	ETL Listed
External back	Coated steel	Refrigerating system	Capillary tube
Cabinet interior	Aluminum	Refrigerant	R290
Interior floor	Stainless steel	Temperature range	33F to 41F
Insulation	Polyurethane (CFC free)	Evaporator	Powder coated aluminum/copper
Shelves	Heavy duty, PVC coating	Condensing unit	Bottom mounted

CONFORMS TO NSF/ANSI STD 7

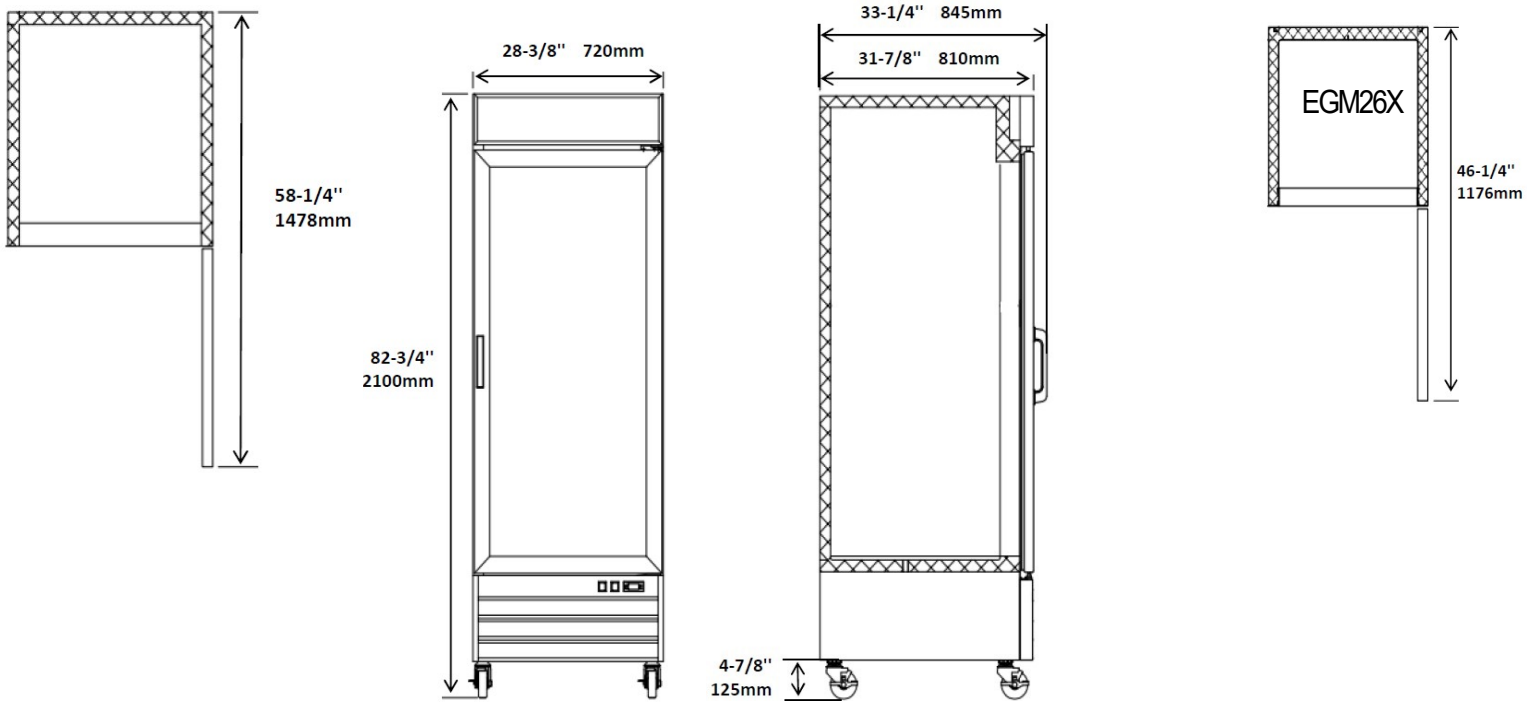
REFRIGERATION



# DETAILS AND DIMENSIONS



## EGM28X



Model	Doors	Shelves	Cabinet Dim (inches)			HP	Voltage	Amps	NEMA Plug	Cord Length	Crated Weight
			L	D	H						
EGM21X	1	4	21.625	21.625	65.625	1/5	115/60/1	2.88	5-15P	10	209
EGM26X	1	4	25.625	22.875	81.5	1/5	115/60/1	2.88	5-15P	10	279
EGM28X	1	4	28.375	31.875	82.75	1/5	115/60/1	3.0	5-15P	10	319