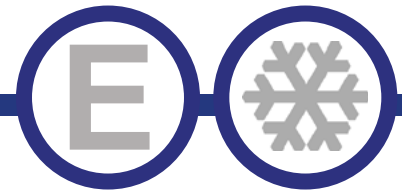




Series "B"



STANDARD MERCHANDISER REFRIGERATOR

EGM48X



EGMSDR54X



EGMDR78X



Model	Doors
EGM48X	2 SWING
EGMSDR54X	2 SLIDING
EGMDR78X	3 SWING

STANDARD FEATURES

- Exterior: Coated steel. Black or white or Stainless steel finish available.
- Interior: Attractive aluminum liner with stainless steel floor.
- Refrigeration system maintains temperatures between 33°F and 41°F .
- Self-Closing double pane glass door with positive seal.
- Shelves: Adjustable heavy-duty PVC coated shelves.
- Electronic control system makes it easy to adjust temperature set point and defrost frequency.
- Easy to access condenser coil for cleaning and service.
- Uses R290 refrigerant, which is eco-friendly and more efficient.
- Interior efficient LED lighting.
- 3" Swivel Casters are pre-installed
- Warranty: Two year parts & labor warranty, and additional three years on compressor.

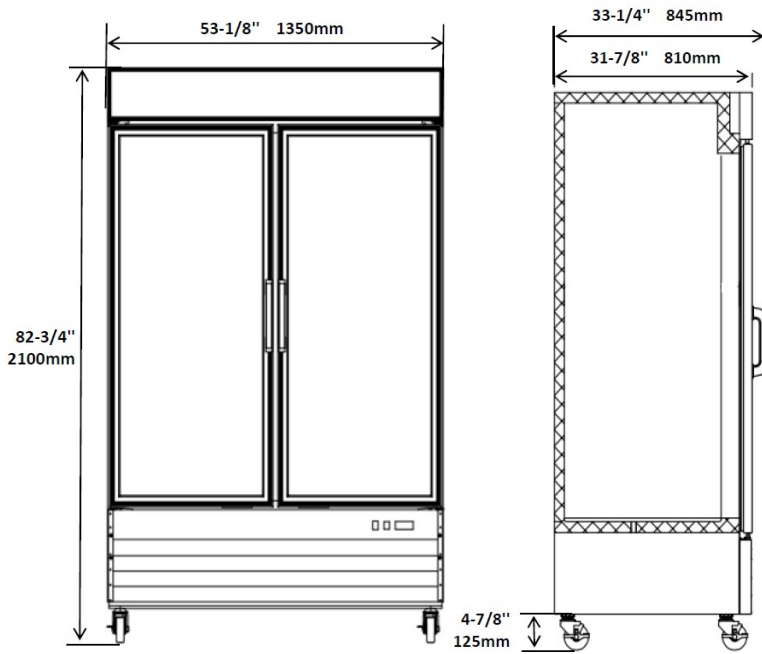
*Not suitable for installation in a non-commercial or residential applications.

Items	Description	Items	Description
Front, top & sides	Coated steel	Temperature control	Solid state thermostat/Digital display
Doors	Double Pane Glass Swing	Approvals	ETL Listed
External back	Coated steel	Refrigerating system	Capillary tube
Cabinet interior	Aluminum	Refrigerant	R290
Interior floor	Stainless steel	Temperature range	33F to 41F
Insulation	Polyurethane (CFC free)	Evaporator	Powder coated aluminum/copper
Shelves	Heavy duty, PVC coating	Condensing unit	Bottom mounted

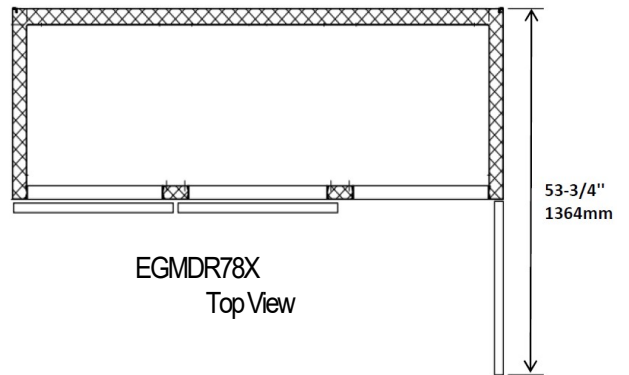
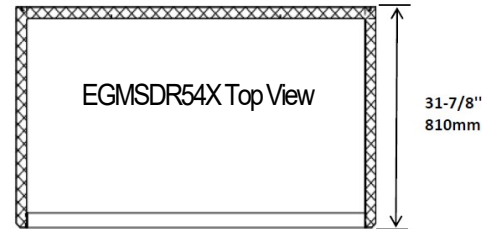
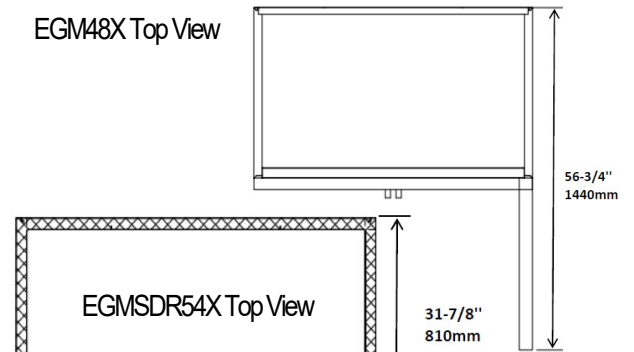
CONFORMS TO NSF/ANSI STD 7

REFRIGERATION

EGM48X

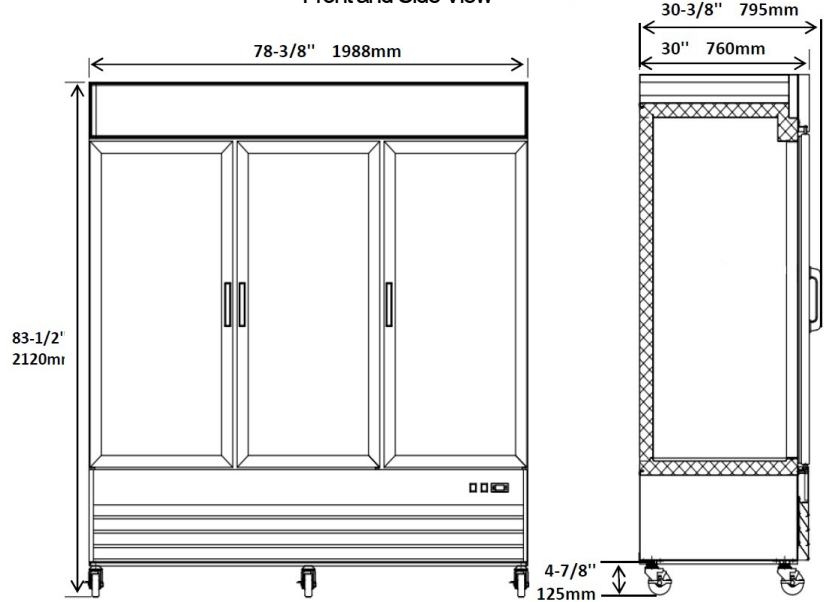
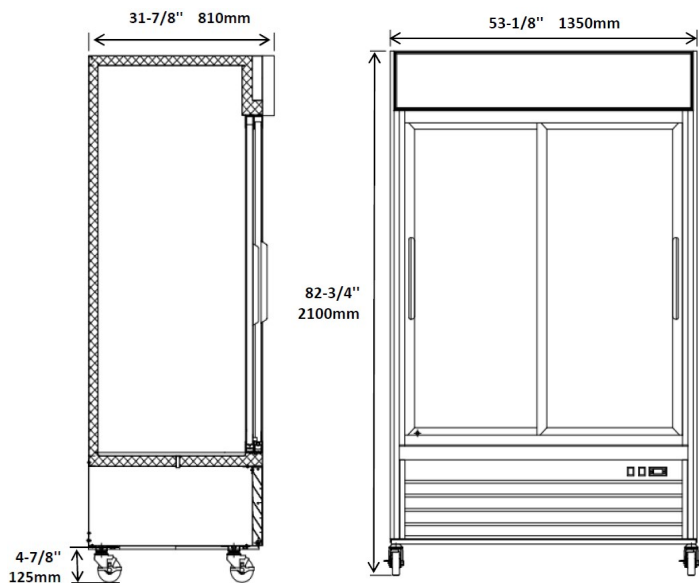


EGM48X Top View



EGMSDR54X Front & Side View

Front and Side View



Model	Doors	Shelves	Cabinet Dim (inches)			HP	Voltage	Amps	NEMA Plug	Cord Length	Crated Weight
			W	D	H						
EGM48X	2	8	53.125	31.875	82.75	1/4	115/60/1	4.5	5-15P	10	495
EGMSDR54X	2	8	53.125	31.875	82.75	1/4	115/60/1	4.5	5-15P	10	495
EGMDR78X	3	12	78.375	30.0	83.5	3/4	115/60/1	10.7	5-15P	10	700