

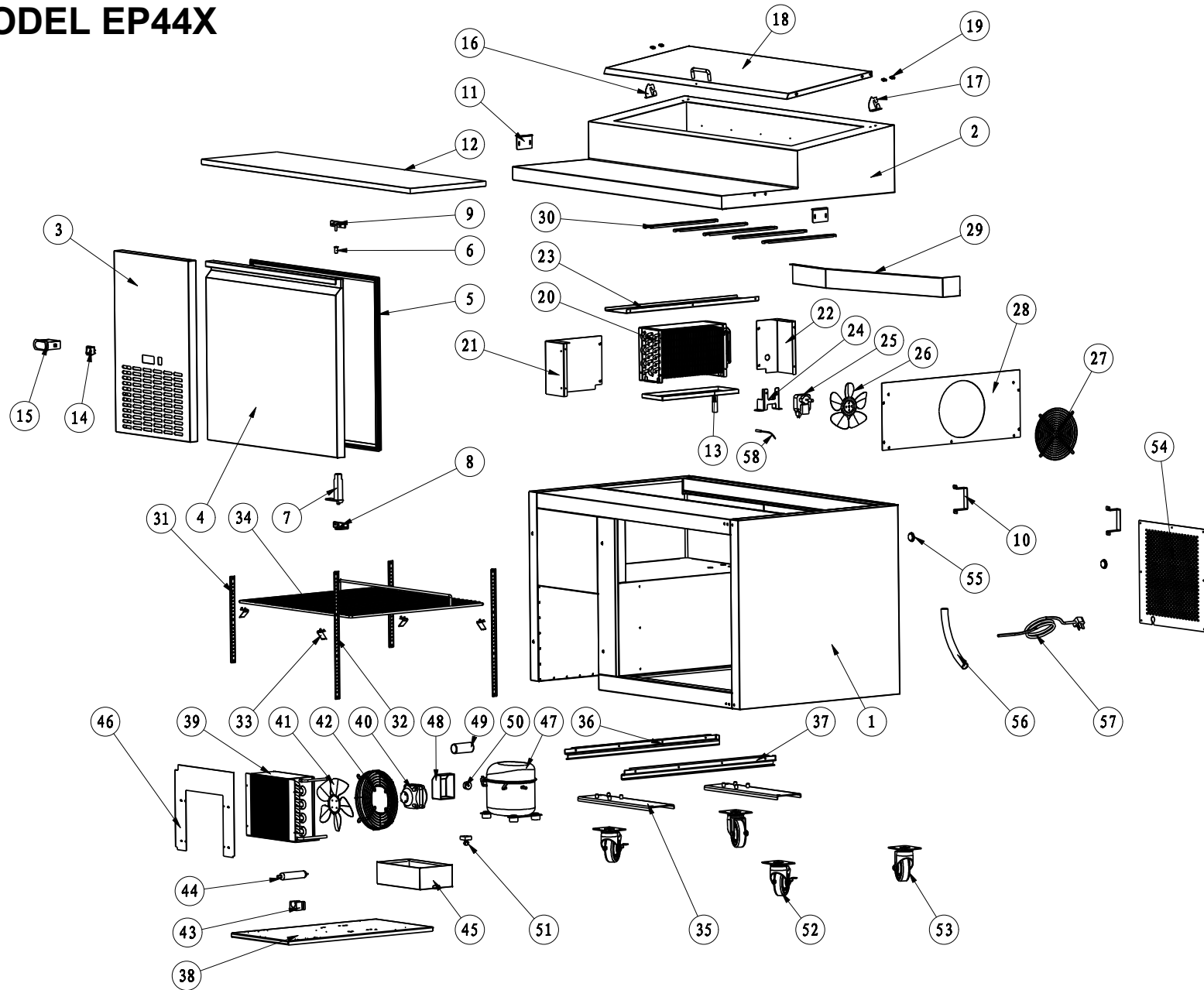


**PART LISTS FOR PIZZA PREP
MODELS: EP44X, EP49X, EP67X,
EP70X AND EP92X**



www.entree.biz
704-900-2068

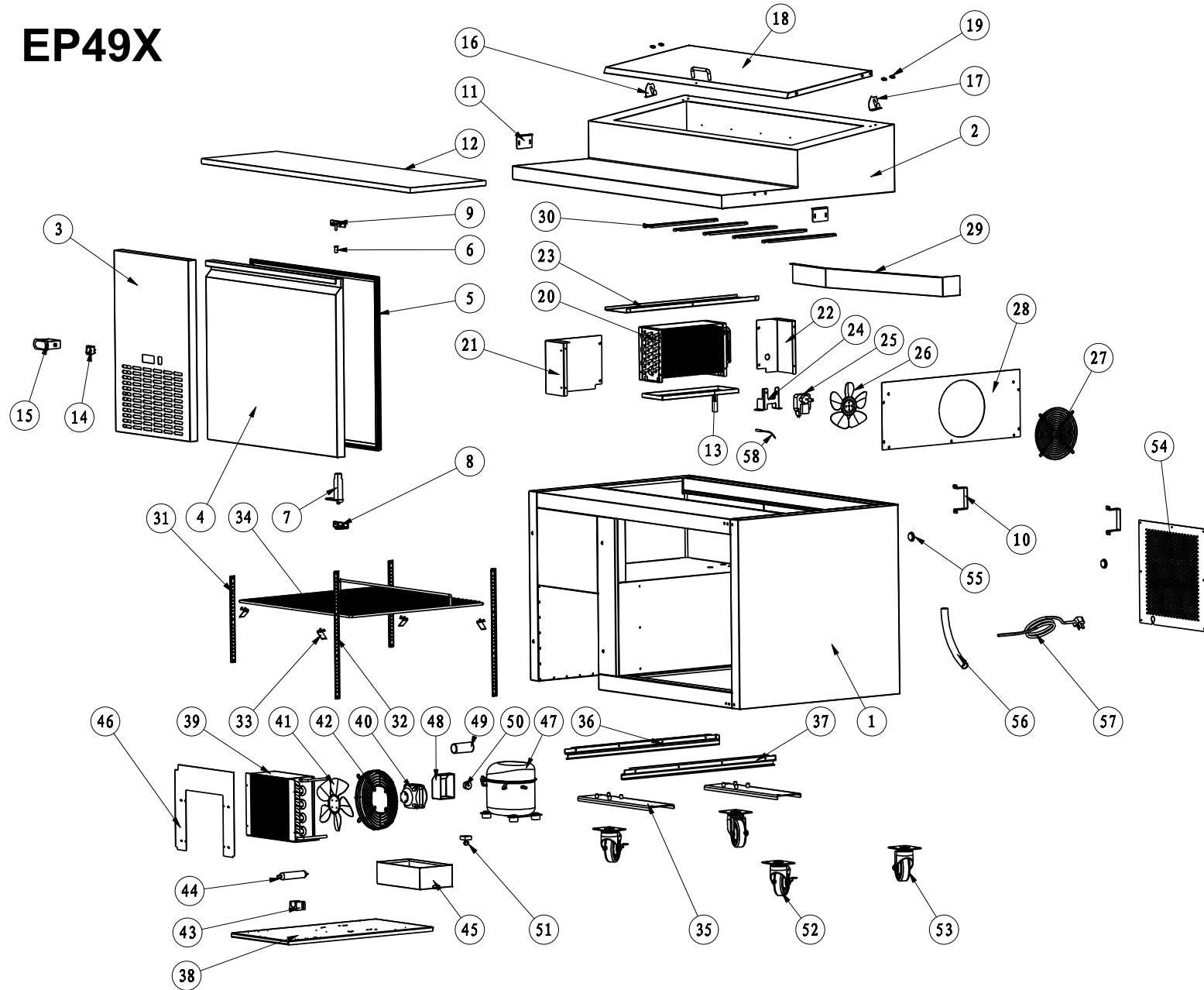
MODEL EP44X



PARTS LIST FOR MODEL EP44X

Ref #	Part Number	Description	Qty
1	N/A	CABINET	1
2	N/A	TOP RAIL	1
3	X2199001627	CONTROL PANEL	1
4	X2199001824	DOOR	1
5	X16401610638	GASKET	1
6	X16353010008	AXIS COVER	1
7	X12517240002	DOOR CLOSURE	1
8	X12517140005	BOTTOM RIGHT HINGE	1
9	X12517140004	UPPER RIGHT HINGE	1
10	X2199001472	STAND OFF BRACKET	2
11	X2199001462	FIXER FOR CUTTING BOARD	2
12	X16319201131	CUTTING BOARD	1
13	X2199001630	INNER DRAIN PAN	1
14	X17749211297	POWER SWITCH	1
15	X17709030003	THERMOSTAT	1
16	X2199001631	LEFT LID HINGE	1
17	X2199001632	RIGHT LID HINGE	1
18	X2199001825	LID	1
19	X12515010010	LID HINGE AXIS	4
20	X17405070282	EVAPORATOR	1
21	X2199001678	LEFT SUPPORT OF EVAPORATOR COVER	1
22	X2199001679	RIGHT SUPPORT OF EVAPORATOR COVER	1
23	X2199001680	UPPER SUPPORT OF EVAPORATOR COVER	1
24	X2199001681	EVAPORATOR FAN MOTOR HOLDER	1
25	X22752520015	EVAPORATOR FAN MOTOR	1
26	X16381738082	BLADE OF EVAPORATOR FAN MOTOR	1
27	X12504072415	EVAPORATOR FAN COVER	1
28	X2199001682	EVAPORATOR COVER	1
29	X2199001683	AIR GUIDE SHEET	1
30	X2199001684	PAN BRACKET-25	5
31	X2199001321	K STRIP-3 HOLES	2
32	X2199001095	K STRIP-4 HOLES	2
33	X5302000003	K CLIP	4
34	X12502012957	SHELF	1
35	X2199001642	CASTER SUPPORT	2
36	X2199001643	LEFT COMPRESSOR UNIT TRACK	1
37	X2199001644	RIGHT COMPRESSOR UNIT TRACK	1
38	X2199001645	COMPRESSOR UNIT INSTALLATION BOARD	1
39	X17306100231	CONDENSER	1
40	X22752500021	CONDENSER FAN MOTOR	1
41	X16381738052	BLADE OF CONDENSER FAN MOTOR	1
42	X22726010001	CONDENSER FAN COVER	1
43	X16357020026	FILTER FIXER	1
44	X17111250195	FILTER	1
44	X270010	CAP TUBE .039" I.D. X 106.3" L (NOT SHOWN)	1
45	X16316130008	OUTER DRAIN PAN	1
46	X2199001685	AIR SHIELD BOARD	1
47	X17202163113	COMPRESSOR (EM2X3113U, 120VAC, 60Hz,R290)	1
47.1	X17202163113K	START KIT FOR EM2X3113U	1*
48	X51330050101BU	SPLICE BOX	1*
49	X13556094	START CAPACITOR	1*
50	X13634257	OVERLOAD PROTECTOR	1*
51	X13650051	STARTER	1*
52	X12533070420	4" CASTER WITH BRAKE	2
53	X12533040420	4" CASTER	2
54	X2199001647	BACK GRILL	1
55	X16352020002	FOAMING HOLE COVER	2
56	X15809080016	DRAIN HOSE	1
57	X17664640051	POWER CORD	1
58	X17649490013	TEMPERATURE SENSOR OF CABINET INSIDE	1

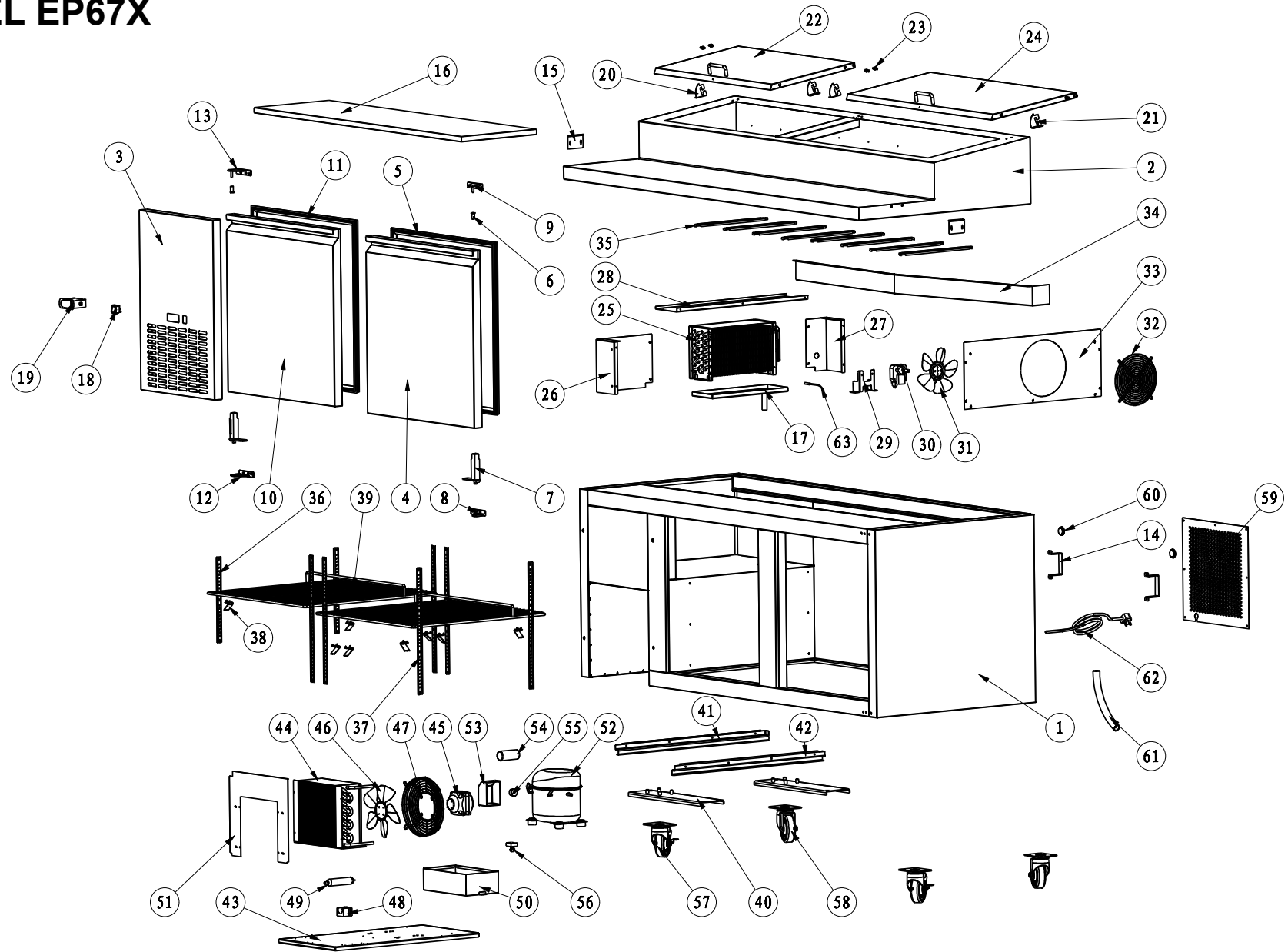
EP49X



PARTS LIST FOR MODEL EP49X

Ref #	Part Number	Description	Qty
1	X2199001674	CABINET	1
2	X2199001675	TOP RAIL	1
3	X2199001627	CONTROL PANEL	1
4	X2199001676	DOOR	1
5	X16401630754	GASKET	1
6	X16353010008	AXIS COVER	1
7	X12517240002	DOOR CLOSURE	1
8	X12517140005	BOTTOM RIGHT HINGE	1
9	X12517140004	UPPER RIGHT HINGE	1
10	X2199001472	STAND OFF BRACKET	2
11	X2199001462	FIXER FOR CUTTING BOARD	2
12	X38615491264	CUTTING BOARD	1
13	X2199001630	INNER DRAIN PAN	1
14	X17749211297	POWER SWITCH	1
15	X17709030003	THERMOSTAT	1
16	X2199001631	LEFT LID HINGE	1
17	X2199001632	RIGHT LID HINGE	1
18	X2199001677	LID	1
19	X12515010010	LID HINGE AXIS	4
20	X17405070282	EVAPORATOR	1
21	X2199001678	LEFT SUPPORT OF EVAPORATOR COVER	1
22	X2199001679	RIGHT SUPPORT OF EVAPORATOR COVER	1
23	X2199001680	UPPER SUPPORT OF EVAPORATOR COVER	1
24	X2199001681	EVAPORATOR FAN MOTOR HOLDER	1
25	X22752520015	EVAPORATOR FAN MOTOR	1
26	X16381738082	BLADE OF EVAPORATOR FAN MOTOR	1
27	X12504072415	EVAPORATOR FAN COVER	1
28	X2199001682	EVAPORATOR COVER	1
29	X2199001683	AIR GUIDE SHEET	1
30	X2199001684	PAN BRACKET-25	5
31	X2199001321	K STRIP-3 HOLES	2
32	X2199001095	K STRIP-4 HOLES	2
33	X5302000003	K CLIP	4
34	X12502012594	SHELF	1
35	X2199001642	CASTER SUPPORT	2
36	X2199001643	LEFT COMPRESSOR UNIT TRACK	1
37	X2199001644	RIGHT COMPRESSOR UNIT TRACK	1
38	X2199001645	COMPRESSOR UNIT INSTALLATION BOARD	1
39	X17306100231	CONDENSER	1
40	X17701000626	CONDENSER FAN MOTOR	1
41	X16381738052	BLADE OF CONDENSER FAN MOTOR	1
42	X22726010001	CONDENSER FAN COVER	1
43	X16369690257	FILTER BRACKET	1
44	X17111250198	FILTER DRIER	1
	X270010	CAP TUBE .039" I.D. X 106.3" L (NOT SHOWN)	1
45	X16316130008	OUTER DRAIN PAN	1
46	X2199001685	AIR SHIELD BOARD	1
47	X17202100037	COMPRESSOR (DLE4CN, 120VAC,60Hz, R290)	1
47	XSTARTKIT01	START KIT INCLUDES ITEM 48, 49, AND 50	1*
48	--	COMPONENT COVER BOX	1
49	X117U5023	START CAPACITOR	1
50	XHSSL615C4X	OVERLOAD PROTECTOR	1
51	X117U7022	START CAPACITOR	1
52	X12533070420	4" CASTER WITH BRAKE	2
53	X12533040420	4" CASTER	2
54	X2199001647	BACK GRILL	1
55	X16352020002	FOAMING HOLE COVER	2
56	X15809080016	DRAIN HOSE	1
57	X17664640051	POWER CORD	1
58	X17649490013	TEMPERATURE SENSOR OF CABINET INSIDE	1

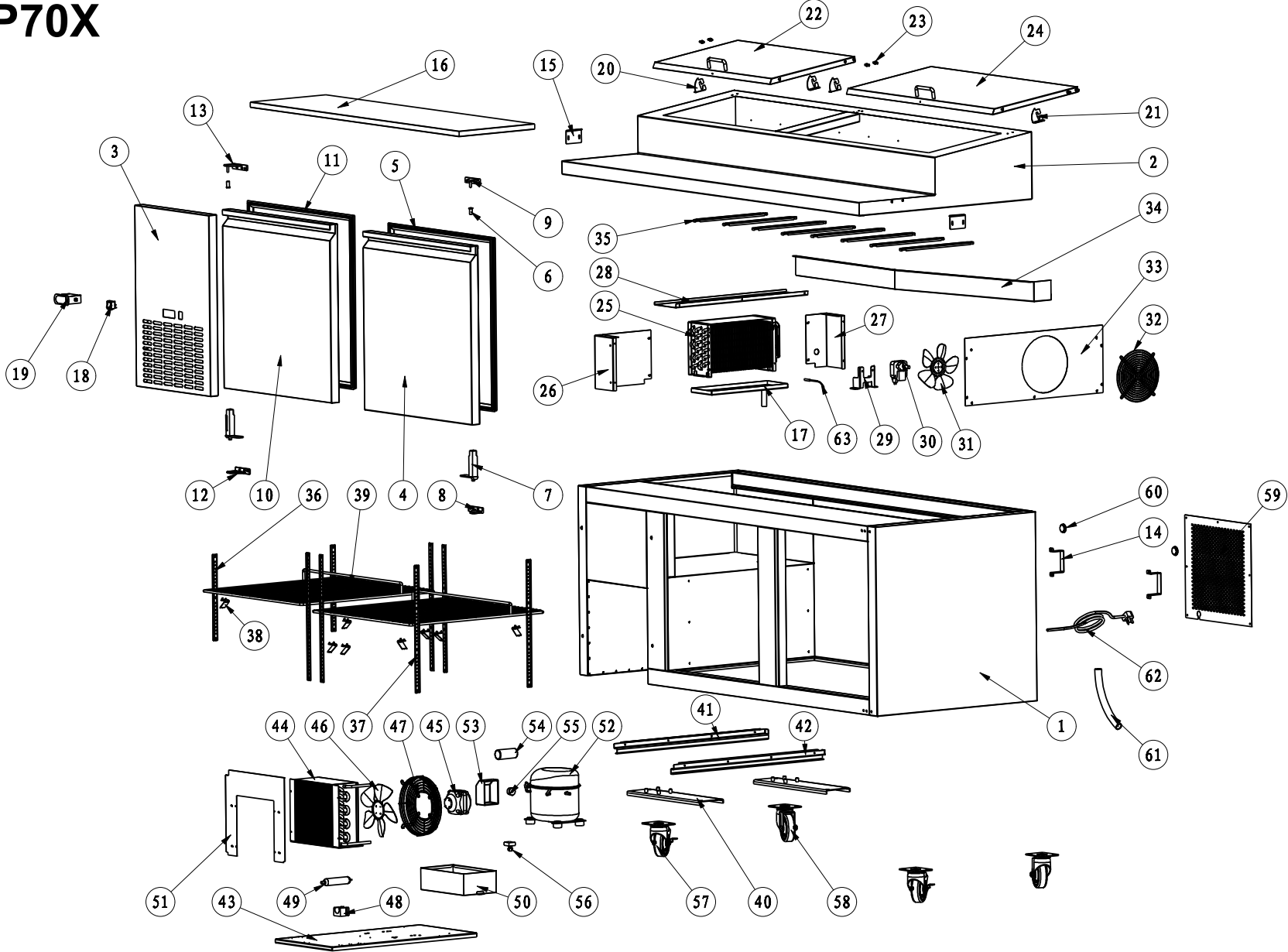
MODEL EP67X



PARTS LIST FOR MODEL EP67X

Ref #	Part Number	Description	Qty
1	X2199001826	CABINET	1
2	X2199001827	TOP RAIL	1
3	X2199001627	CONTROL PANEL	1
4	X2199001828	RIGHT DOOR	1
5	X16401610638	GASKET	1
6	X16353010008	AXIS COVER	2
7	X12517240002	DOOR CLOSURE	2
8	X12517140005	BOTTOM RIGHT HINGE	1
9	X12517140004	UPPER RIGHT HINGE	1
10	X2199001829	LEFT DOOR	1
11	X16401610638	GASKET	2
12	X12517140003	BOTTOM LEFT HINGE	1
13	X12517140002	UPPER LEFT HINGE	1
14	X2199001472	STAND OFF BRACKET	2
15	X2199001462	FIXER FOR CUTTING BOARD	2
16	X16319201709	CUTTING BOARD	1
17	X2199001660	INNER DRAIN PAN	1
18	X17749211297	POWER SWITCH	1
19	X17709030003	THERMOSTAT	1
20	X2199001631	LEFT LID HINGE	2
21	X2199001632	RIGHT LID HINGE	2
22	X2199001830	LID	1
23	X12515010010	LID HINGE AXIS	8
24	X2199001831	LID	1
25	X17405070396	EVAPORATOR	1
26	X2199001693	LEFT SUPPORT OF EVAPORATOR COVER	1
27	X2199001694	RIGHT SUPPORT OF EVAPORATOR COVER	1
28	X2199001680	UPPER SUPPORT OF EVAPORATOR COVER	1
29	X2199001681	EVAPORATOR FAN MOTOR HOLDER	1
30	X22752520015	EVAPORATOR FAN MOTOR	1
31	X16381738082	BLADE OF EVAPORATOR FAN MOTOR	1
32	X12504072415	EVAPORATOR FAN COVER	1
33	X2199001682	EVAPORATOR COVER	1
34	X2199001683	AIR GUIDE SHEET	1
35	X2199001684	PAN BRACKET-25	7
36	X2199001321	K STRIP-3 HOLES	2
37	X2199001095	K STRIP-4 HOLES	6
38	X5302000003	K CLIP	8
39	X12502012957	SHELF	2
40	X2199001642	CASTER SUPPORT	2
41	X2199001643	LEFT COMPRESSOR UNIT TRACK	1
42	X2199001644	RIGHT COMPRESSOR UNIT TRACK	1
43	X2199001645	COMPRESSOR UNIT INSTALLATION BOARD	1
44	X17306120281	CONDENSER	1
45	X22752500022	CONDENSER FAN MOTOR	1
46	X16381738122	BLADE OF CONDENSER FAN MOTOR	1
47	X22726010003	CONDENSER FAN COVER	1
48	X16357020026	FILTER BRACKET	1
49	X17111250195	FILTER DRIER	1
49	X280012	CAP TUBE .047" I.D. X 110.25" L (NOT SHOWN)	1*
50	X16316130008	OUTER DRAIN PAN	1
51	X2199001685	AIR SHIELD BOARD	1
52	X17202163117	COMPRESSOR (EM2X3117U/115V/60HZ/R290)	1
52	XSTARTKIT03	START KIT (EM2X3117U) (INCLUDED STARTER, START CAP, OVERLOAD AND COVER BOX)	*
53	X51330049301BU	COVER BOX	1
54	X13556094	START CAPACITOR	1
55	X13634251	OVERLOAD PROTECTOR	1
56	X13650051	STARTER	1
57	X12533070420	4" CASTER WITH BRAKE	2
58	X12533040420	4" CASTER	2
59	X2199001647	BACK GRILL	1
60	X16352020002	FOAMING HOLE COVER	2
61	X15809080016	DRAIN HOSE	1
62	X17664640051	POWER CORD	1
63	X17649490013	TEMPERATURE SENSOR OF CABINET INSIDE	1

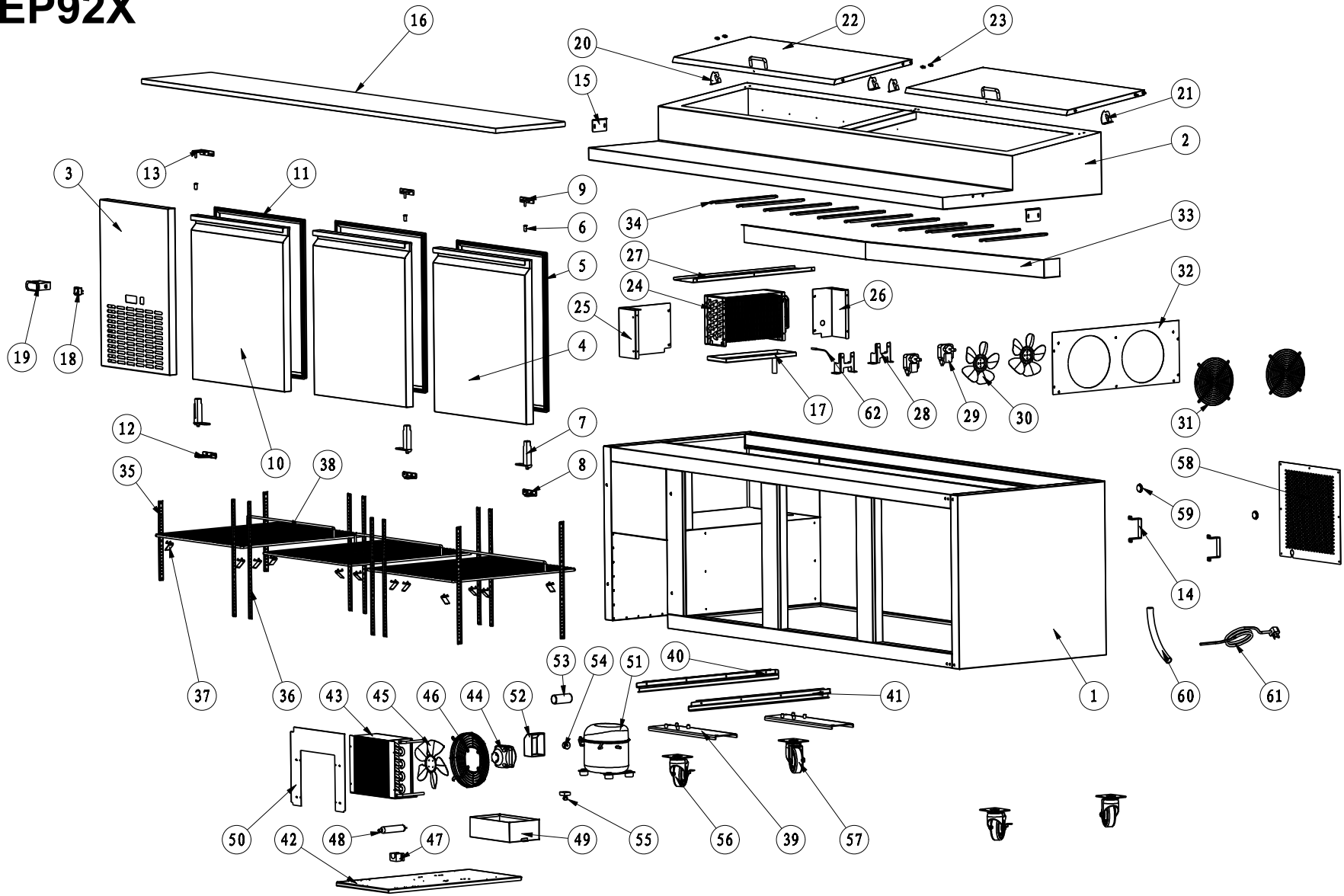
EP70X



PARTS LIST FOR MODEL EP70X

Ref #	Part Number	Description	Qty
1	X2199001686	CABINET	1
2	X2199001687	TOP RAIL	1
3	X2199001627	CONTROL PANEL	1
4	X2199001688	RIGHT DOOR	1
5	X16401610638	GASKET	1
6	X16353010008	AXIS COVER	2
7	X12517240002	DOOR CLOSURE	2
8	X12517140005	BOTTOM RIGHT HINGE	1
9	X12517140004	UPPER RIGHT HINGE	1
10	X2199001689	LEFT DOOR	1
11	X16401610638	GASKET	1
12	X12517140003	BOTTOM LEFT HINGE	1
13	X12517140002	UPPER LEFT HINGE	1
14	X2199001472	STAND OFF BRACKET	2
15	X2199001462	FIXER FOR CUTTING BOARD	2
16	X16319154917	CUTTING BOARD	1
17	X2199001660	INNER DRAIN PAN	1
18	X17749211297	POWER SWITCH	1
19	X17709030003	THERMOSTAT	1
20	X2199001631	LEFT LID HINGE	2
21	X2199001632	RIGHT LID HINGE	2
22	X2199001691	LID	1
23	X12515010010	LID HINGE AXIS	8
24	X2199001692	LID	1
25	X17405070396	EVAPORATOR	1
26	X2199001693	LEFT SUPPORT OF EVAPORATOR COVER	1
27	X2199001694	RIGHT SUPPORT OF EVAPORATOR COVER	1
28	X2199001680	UPPER SUPPORT OF EVAPORATOR COVER	1
29	X2199001681	EVAPORATOR FAN MOTOR HOLDER	1
30	X22752520015	EVAPORATOR FAN MOTOR	1
31	X16381738082	BLADE OF EVAPORATOR FAN MOTOR	1
32	X12504072415	EVAPORATOR FAN COVER	1
33	X2199001682	EVAPORATOR COVER	1
34	X2199001683	AIR GUIDE SHEET	1
35	X2199001684	PAN BRACKET-25	7
36	X2199001321	K STRIP-3 HOLES	2
37	X2199001095	K STRIP-4 HOLES	6
38	X5302000003	K CLIP	8
39	X12502012593	SHELF	2
40	X2199001642	CASTER SUPPORT	2
41	X2199001643	LEFT COMPRESSOR UNIT TRACK	1
42	X2199001644	RIGHT COMPRESSOR UNIT TRACK	1
43	X2199001645	COMPRESSOR UNIT INSTALLATION BOARD	1
44	X17306120281	CONDENSER	1
45	X17701001026	CONDENSER FAN MOTOR	1
46	X16381738122	BLADE OF CONDENSER FAN MOTOR	1
47	X22726010003	CONDENSER FAN COVER	1
48	X16369690257	FILTER BRACKET	1
49	X17111250198	FILTER DRIER	1
49	X280012	CAP TUBE .047" I.D. X 110.25" L (NOT SHOWN)	1
50	X16316130008	OUTER DRAIN PAN	1
51	X2199001685	AIR SHIELD BOARD	1
52	X17202163117	COMPRESSOR (EM2X3117U/115VAC/60 Hz/R290)	1
52	XX-STARTKITC1	START KIT FOR EM2X3117U INCLUDES ITEM 53, 54, 55 AND 56	1
53	***	SPLICE BOX	1*
54	X117U7011	START CAPACITOR	1*
55	XNSL615C4X	OVERLOAD PROTECTOR	1*
56	X117U5023	START CAPACITOR	1*
57	X12533070420	4" CASTER WITH BRAKE	2
58	X12533040420	4" CASTER	2
59	X2199001647	BACK GRILL	1
60	X16352020002	FOAMING HOLE COVER	2
61	X15809080016	DRAIN HOSE	1
62	X17664640051	POWER CORD	1
63	X17649490013	TEMPERATURE SENSOR OF CABINET INSIDE	1

EP92X



PART LIST FOR MODEL EP92X

Ref #	Part Number	Description	Qty
1	X2199001696	CABINET	1
2	X2199001697	TOP RAIL	1
3	X2199001627	CONTROL PANEL	1
4	X2199001698	RIGHT DOOR	2
5	X16401570638	GASKET	2
6	X16353010008	AXIS COVER	3
7	X12517240002	DOOR CLOSURE	3
8	X12517140005	BOTTOM RIGHT HINGE	2
9	X12517140004	UPPER RIGHT HINGE	2
10	X2199001699	LEFT DOOR	1
11	X16401570638	GASKET	1
12	X12517140003	BOTTOM LEFT HINGE	1
13	X12517140002	UPPER LEFT HINGE	1
14	X2199001472	STAND OFF BRACKET	2
15	X2199001462	FIXER FOR CUTTING BOARD	2
16	X38615492332	CUTTING BOARD	1
17	X2199001670	INNER DRAIN PAN	1
18	X17749211297	POWER SWITCH	1
19	X17709030003	THERMOSTAT	1
20	X2199001631	LEFT LID HINGE	2
21	X2199001632	RIGHT LID HINGE	2
22	X2199001701	LID	2
23	X12515010010	LID HINGE AXIS	8
24	X17405070516	EVAPORATOR	1
25	X2199001702	LEFT SUPPORT OF EVAPORATOR COVER	1
26	X2199001703	RIGHT SUPPORT OF EVAPORATOR COVER	1
27	X2199001680	UPPER SUPPORT OF EVAPORATOR COVER	1
28	X2199001681	EVAPORATOR FAN MOTOR HOLDER	2
29	X22752520015	EVAPORATOR FAN MOTOR	2
30	X16381738082	BLADE OF EVAPORATOR FAN MOTOR	2
31	X12504072415	EVAPORATOR FAN COVER	2
32	X2199001682	EVAPORATOR COVER	1
33	X2199001683	AIR GUIDE SHEET	1
34	X2199001684	PAN BRACKET-25	11
35	X2199001321	K STRIP-3 HOLES	2
36	X2199001095	K STRIP-4 HOLES	10
37	X5302000003	K CLIP	12
38	X12502115762	SHELF	3
39	X2199001642	CASTER SUPPORT	2
40	X2199001643	LEFT COMPRESSOR UNIT TRACK	1
41	X2199001644	RIGHT COMPRESSOR UNIT TRACK	1
42	X2199001645	COMPRESSOR UNIT INSTALLATION BOARD	1
43	X17306120281	CONDENSER	1
44	X17701001026	CONDENSER FAN MOTOR	1
45	X16381738122	BLADE OF CONDENSER FAN MOTOR	1
46	X22726010003	CONDENSER FAN COVER	1
47	X16369690257	FILTER BRACKET	1
48	X17111250198	FILTER DRIER	1
48	X280014	CAP TUBE .055" I.D. X 110.25" L (NOT SHOWN)	1
49	X16316130008	OUTER DRAIN PAN	1
50	X2199001685	AIR SHIELD BOARD	1
51	X17202163125	COMPRESSOR (EM2X3125U 120VAC, 60Hz, R290)	1
51	XX-STARTKITC2	START KIT FOR COMPRESSOR (EM2X3125U)	1
52	X51330045401BU	COMPONENT COVER BOX	1*
53	X13556094	START CAPACITOR	1*
54	X13634237	OVERLOAD PROTECTOR	1*
55	X13650051	STARTER	1*
56	X12533070420	4" CASTER WITH BRAKE	2
57	X12533040420	4" CASTER	2
58	X2199001647	BACK GRILL	1
59	X16352020002	FOAMING HOLE COVER	2
60	X15809080016	DRAIN HOSE	1
61	X17664640051	POWER CORD	1
62	X17649490013	TEMPERATURE SENSOR OF CABINET INSIDE	1