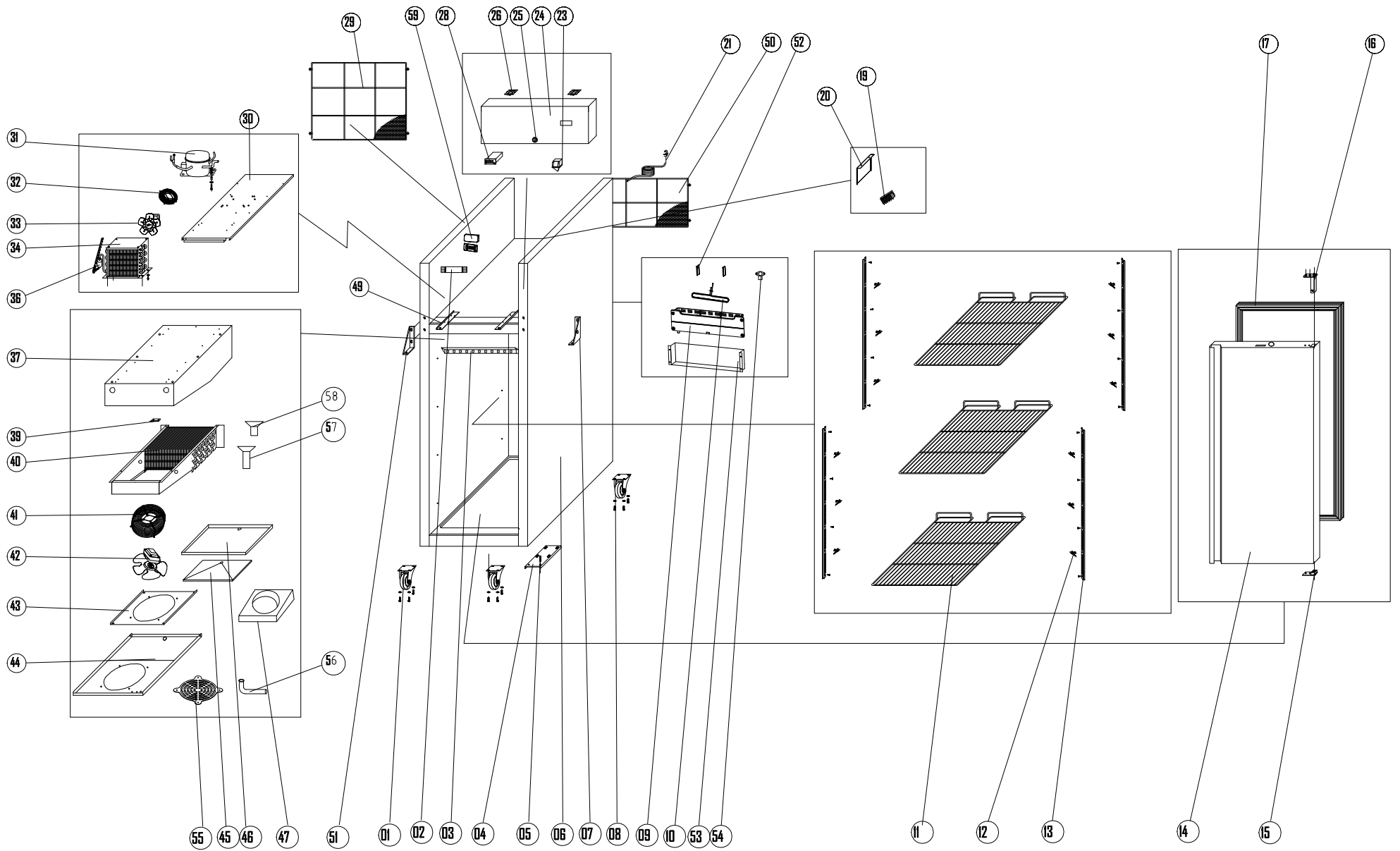




PARTS LIST
REACH-IN TOP MOUNT
COMPRESSOR MODELS
CR1-TSI-HC, CR2-TSI-HC,
CR3-TSI-HC,
CF1-TSI-HC, CF2-TSI-HC

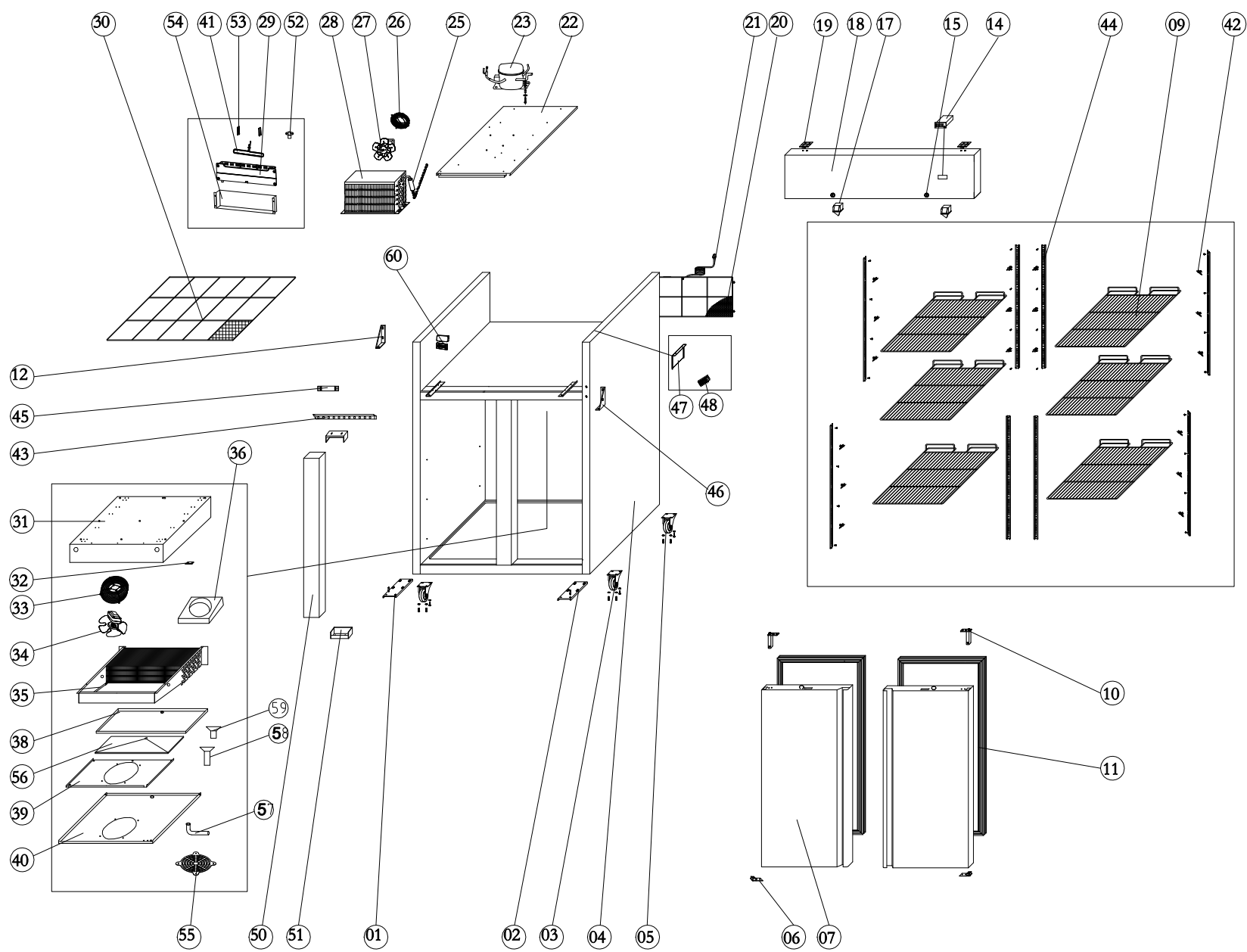


Above picture of CR3-TSI-HC (R290)



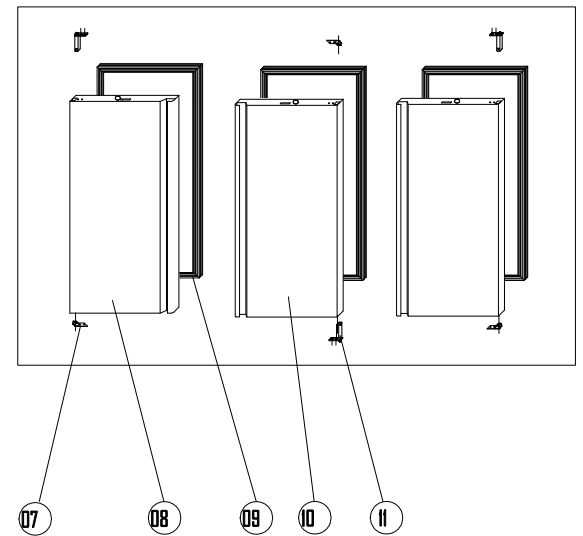
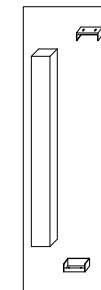
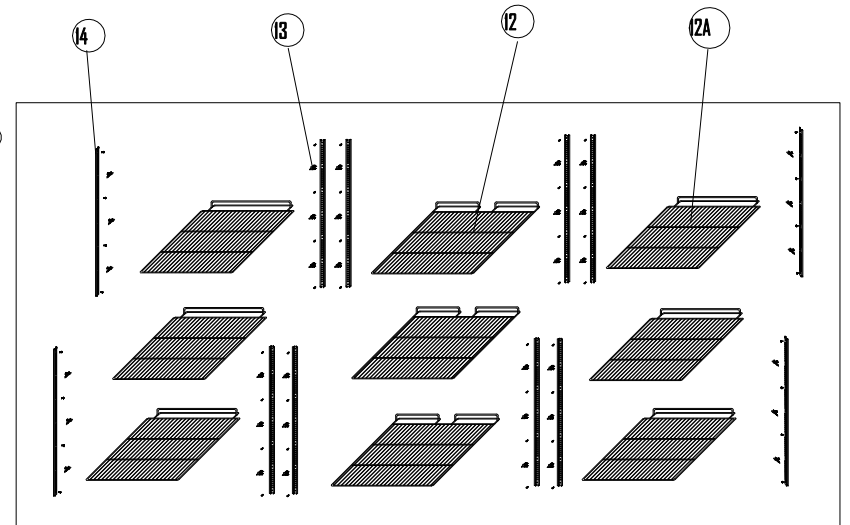
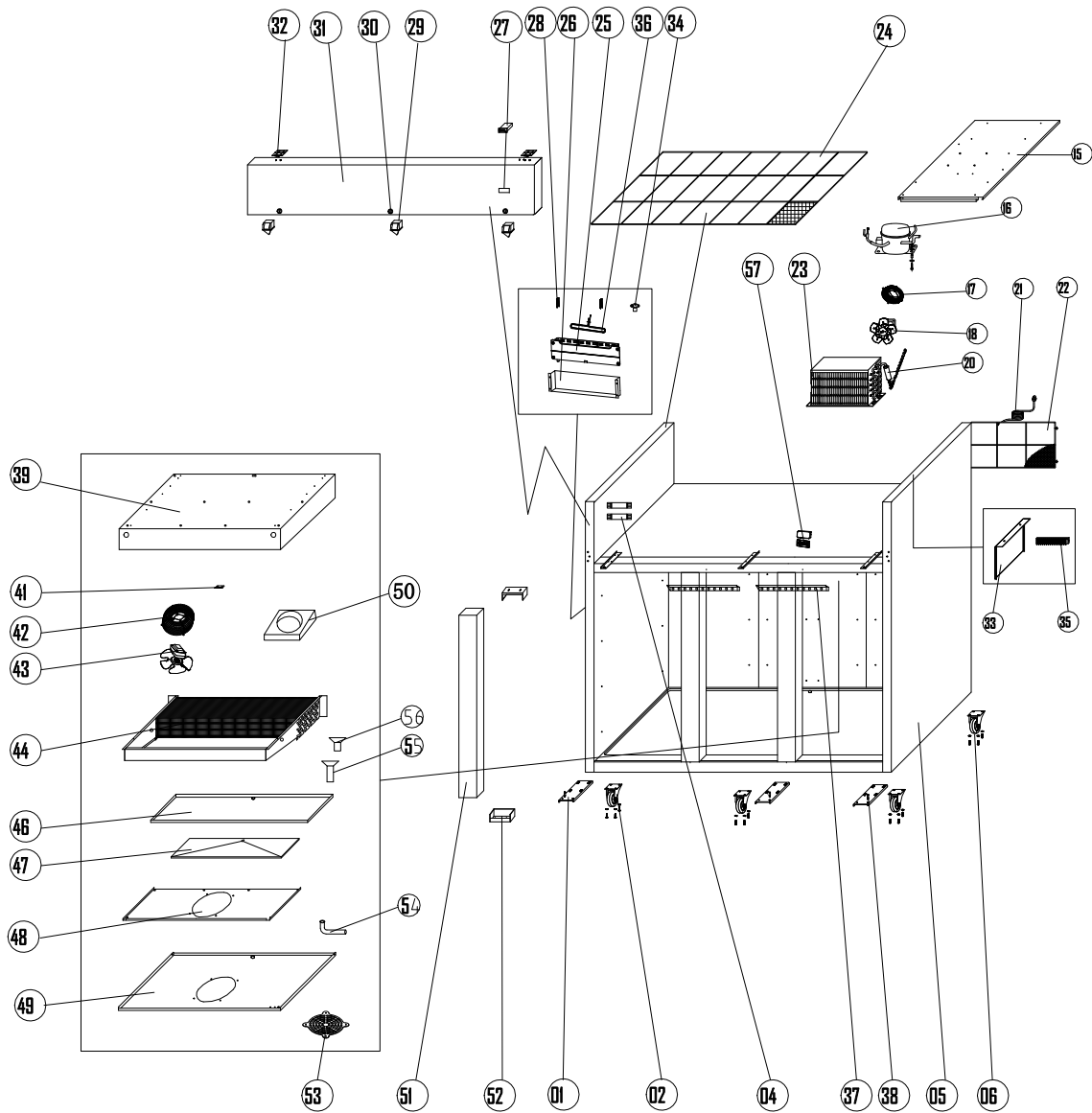
CR1-TSI-HC

NO.	Entrée #	NAME	QTY.
1	H00316	SWIVEL CASTER 4" W/BRAKE	2
2	H104070118	LED POWER SUPPLY	1
3	C2194688	LED LIGHT STRIP (REACH-IN) (LED2835, 2.4W, 24 VDC)	1
4	C20021	HINGE, LOWER LEFT/RIGHT (TOP MOUNT)	1
5	H00327	HINGE PIN W/NUT	1
6	N/A	BODY	1
7	C20029	UPPER RIGHT HINGE	1
8	H00317	SWIVEL CASTER 4" W/O BRAKE	2
9	C30002	CONDENSATE DRAIN BOX, REAR MOUNT	1
10	HC0147	SUCTION PIPE	1
11	H00307	SHELF	3
11	H00307-C	SHELF W/4 CLIPS	3
12	C3234860	PILASTER CLIP	12
13	H03343	PILASTER	4
14	H00324-2	DOOR, SOLID, TOP MOUNT (HC)	1
15	H00326	HINGE AXIS JACKET, BOTTOM	1
16	H00328	HINGE CARTRIDGE, SELF CLOSING	1
17	H00325-2	GASKET, DOOR TOP MOUNT	1
19	H00215	TERMINAL BLOC, 5 POLL	2
20	N/A	Fixing Strip	1
21	C2194684	POWER CORD, 14AWG/NEMA 5-15P	1
23	C2194677	DOOR SWITCH 3 PIN WHITE (HC-050K4)	1
24	HC0318-TSI	SHROUD, UPPER 21DR TOP MT	1
25	H00340	DOOR LOCK	1
26	H00321	HINGE, UPPER SHROUD	2
28	HC0219-1	TEMPERATURE CONTROL BOARD (DIXELL XW03K)	1
28	HC0219-2	TEMPERATURE CONTROL DISPLAY (DIXELL CX50)	1
29	C20008	COVER, SCREEN TOP MOUNT (CONDENSER)	1
30	N/A	CONDENSING UNIT PANEL	1
31	HC0001F	COMPRESSOR (EM2X3117U) W/ FILTER DRIER	1
32	H00113-1	FAN GUARD BLACK (CONDENSER)	1
33	H00110	CONDENSER FAN MOTOR, 9W M4Q045-CA27-04/CA01	1
34	HC0346	CONDENSER COIL	1
36	H00341	FILTER DRIER	1
37	N/A	EVAPORATOR COVER PAN	1
39	H03335	SENSOR CLIP	1
40	HC0349R	EVAPORATOR COIL	1
41	H00112	FAN GUARD, EVAPORATOR, WHITE	1
42	HC0116-2	EVAPORATOR FAN MOTOR (IQC3608-010315/A03 L-600)	1
43	HC0131	EVAPORATOR FAN MOTOR SUPPORT	1
44	N/A	MOTOR SUPPORT, EVAP FAN	1
45	N/A	SUPPORT PAN	1
46	HC0142	EVAPORATOR DRIP PAN	1
47	N/A	AIR GUIDE	1
50	C20005	COVER, SCREEN, BACK, CONDENSER, 1DR	1
51	C20028	UPPER LEFT HINGE	1
52	N/A	DISCHARGE PIPE CLIP	2
53	C30002-1	CONDENSER DRAIN BOX COVER	1
54	H03336	DRAIN CONNECTOR	1
55	H00112-1	EVAPORATOR FAN GUARD	1
55	N/A	GUIDE RAIL	1
55	N/A	GUIDE RAIL	1
56	H00336	DRAIN JOINT	1
56	H00333	Door Hinge /Down Right	1
57	G30002	DRAIN PIPE FITTING	1
57	HC00022	CENTER MULLION	1
58	G30001	DRAIN PIPE FITTING	1
58	HC00112	CENTER MULLION BRACKET	2
59	H108140044	CONTROL PROTECTOR	1
59	H00336	DRAIN JOINT	1
59	H108140043	CONTROL PROTECTOR COVER	1
60	G30002	DRAIN PIPE FITTING	1
61	G30001	DRAIN PIPE FITTING	1
62	H108140044	CONTROL PROTECTOR	1
62	H108140043	CONTROL PROTECTOR COVER	1
63	N/A	TOP COVER	1
64	N/A	DRAIN BRACKET	1
65	N/A	DRAIN HOLDER	1
66	HC0391	DRAIN PIPE	1



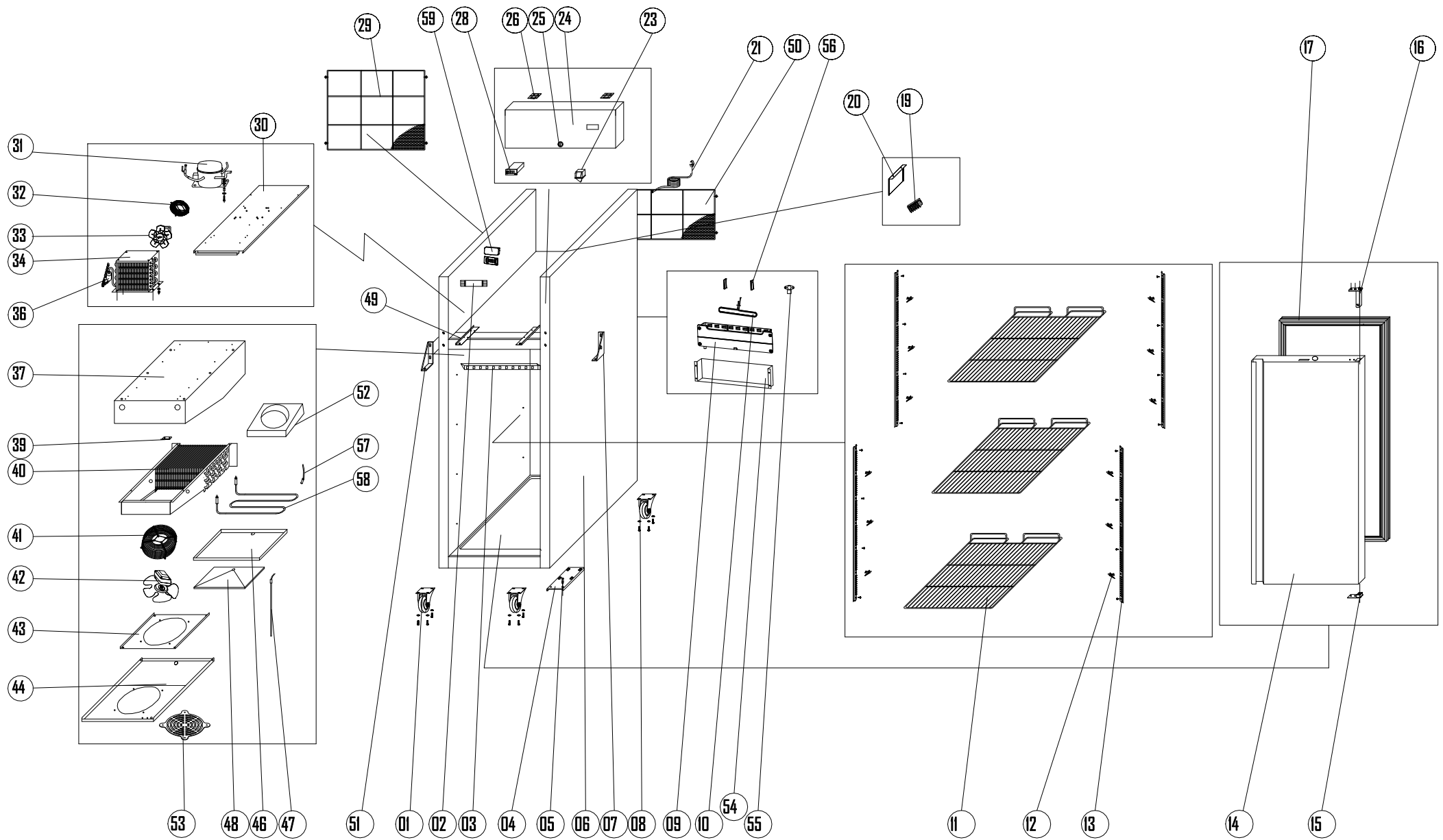
CR2-TSI-HC

NO.	Entrée #	NAME	QTY.
1	C20021	HINGE, LOWER LEFT/RIGHT (TOP MOUNT)	2
2	H00327	HINGE PIN W/NUT	2
3	H00316	SWIVEL CASTER 4" W/BRAKE	2
4	N/A	BODY	1
5	H00317	SWIVEL CASTER 4" W/O BRAKE	2
6	H00326	HINGE AXIS JACKET, BOTTOM	2
7	H00324-2	DOOR, SOLID, TOP MOUNT (HC)	2
9	H00308	SHELF, LEFT OR RIGHT	6
9	H00308-C	SHELF, LEFT OR RIGHT W/4 CLIPS	*
10	H00325-2	GASKET, DOOR TOP MOUNT	2
11	H00328	HINGE CARTRIDGE, SELF CLOSING	2
12	C20028	UPPER LEFT HINGE	2
14	H00219-1	TEMPERATURE CONTROL BOARD (DIXELL XW03K)	1
14	HC0219-2	TEMPERATURE CONTROL DISPLAY (DIXELL CX50)	1
15	H00340	DOOR LOCK	2
17	C2194677	DOOR SWITCH 3 PIN WHITE (HC-050K4)	2
18	HC2319	UPPER SHROUD	1
19	H00321	HINGE, UPPER SHROUD	2
20	G20006	BACK COVER SCREEN (CONDENSER AREA)	1
21	C2194684	POWER CORD, 14AWG/NEMA 5-15P	1
22	N/A	CONDENSING UNIT PANEL	1
23	H00039F	COMPRESSOR (EM2X3125U) W/ FILTER DRYER	1
23	H00228	START KIT, FOR COMPRESSOR EM2X3125U	*
25	H00341	FILTER DRIER	1
26	H00113	FAN GUARD BLACK (CONDENSER)	1
27	H00110	CONDENSER FAN MOTOR, 9W M4Q045-CA27-04/CA01	1
28	HC0346	CONDENSER COIL	1
29	C30002	CONDENSATE DRAIN BOX, REAR MOUNT	1
30	C20009	TOP CONDENSER COVER SCREEN	1
31	N/A	EVAPORATOR SUPPORT	1
32	H03335	SENSOR CLIP	1
33	H00112	FAN GUARD, EVAPORATOR, WHITE	1
34	HC0116-1	EVAPORATOR FAN MOTOR (IQC3608-010315/A03 L-900)	1
35	HC0350R	EVAPORATOR COIL	1
36	N/A	AIR GUIDE	1
38	H00143.1	EVAPORATOR DRIP PAN	1
39	N/A	EVAPORATOR FAN SUPPORT	1
40	N/A	MOTOR SUPPORT, EVAP FAN	1
41	HC0148	SUCTION PIPE	1
42	C3234860	PILASTER CLIP	24
43	C2194688	LED LIGHT STRIP (REACH-IN) (LED2835, 2.4W, 24 VDC)	1
44	H03343	PILASTER	8
45	H104070118	LED POWER SUPPLY	1
46	C20029	UPPER RIGHT HINGE	2
47	N/A	SUPPORT STRIP	1
48	H00215	TERMINAL BLOCK, 5 POLL	1
50	HC00024	CENTER MULLION	1
51	HC00112	CENTER MULLION BRACKET	2
52	H03336	DRAIN CONNECTOR	1
53	N/A	DISCHARGE PIPE CLIP	2
54	C30002-1	CONDENSER DRAIN BOX COVER	1
55	H00112-1	EVAPORATOR FAN GUARD	1
56	N/A	SUPPORT PAN	1
57	H00336	DRAIN JOINT	1
58	G30002	DRAIN PIPE FITTING	1
59	G30001	DRAIN PIPE FITTING	1
60	H108140044	CONTROL PROTECTOR	1
60	H108140043	CONTROL PROTECTOR COVER	1



CR3-TSI-HC

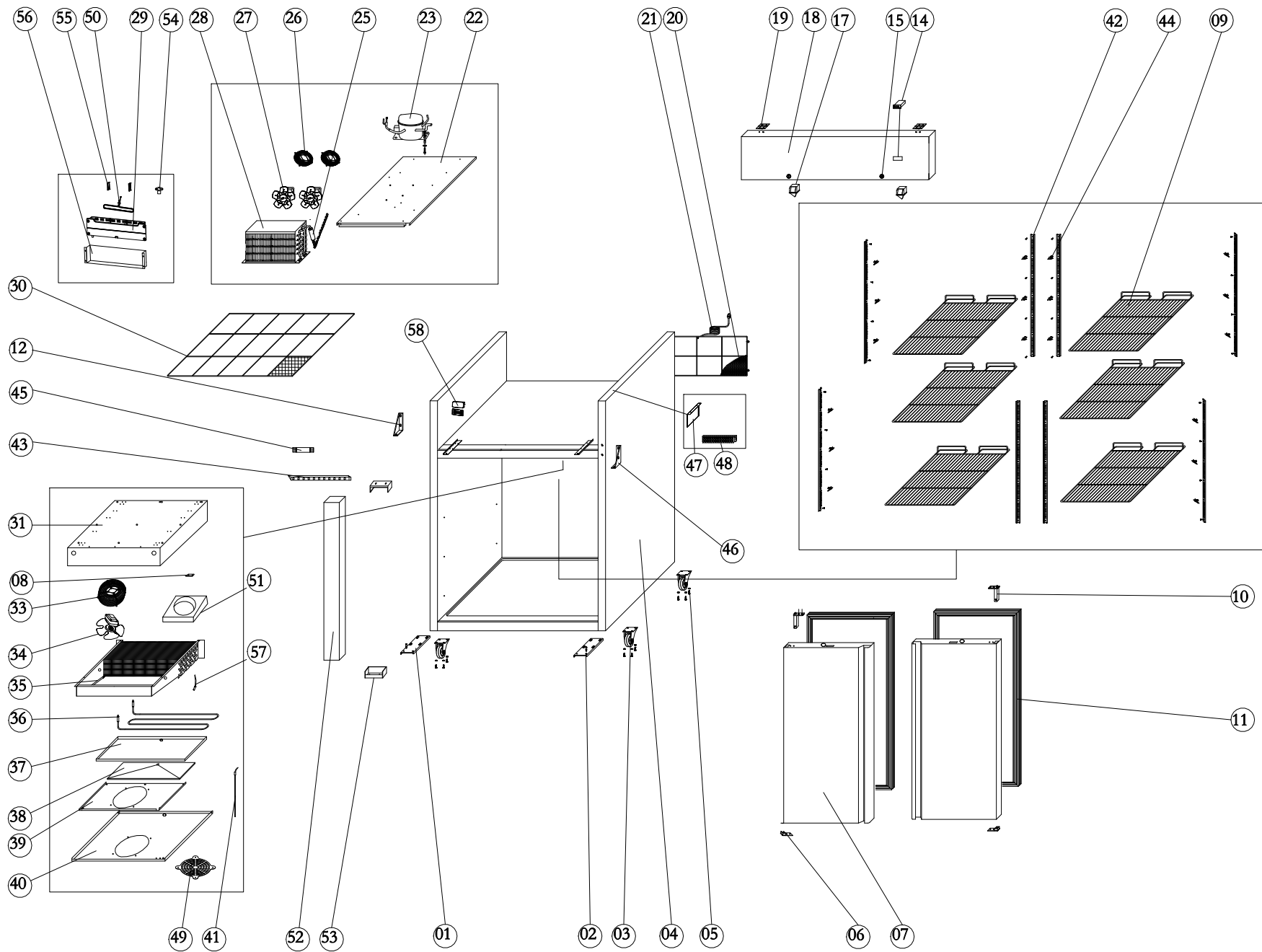
NO.	Entrée #	NAME	QTY.
1	C20021	HINGE, LOWER LEFT/RIGHT (TOP MOUNT)	3
2	H00316	SWIVEL CASTER 4" W/BRAKE	3
4	H104070118	LED POWER SUPPLY	2
5	N/A	BODY	1
6	H00317	SWIVEL CASTER 4" W/O BRAKE	2
7	H00326	HINGE AXIS JACKET, BOTTOM	3
8	H00324-2	DOOR, SOLID, TOP MOUNT (HC)	3
9	H00325-2	GASKET, DOOR TOP MOUNT	3
11	H00328	HINGE CARTRIDGE, SELF CLOSING	3
12	H00310	SHELF, MIDDLE	3
12	H00308	SHELF, LEFT OR RIGHT	6
13	C3234860	PILASTER CLIP	36
14	H03343	PILASTER	12
15	N/A	CONDENSER PANNEL	1
16	HC0009F	COMPRESSOR (NUG90LR) W/ FILTER DRIER	1
16	H00230	START KIT, FOR COMPRESSOR NUG90LR	*
17	H00123	FAN GUARD BLACK (CONDENSER)	1
18	H00120	MOTOR, CONDENSER FAN, M4Q045-BD03-04/CO6 (5W)	2
20	H00341	FILTER DRIER	1
21	C2194684	POWER CORD, 14AWG/NEMA 5-15P	1
22	C20007	BACK COVER SCREEN (CONDENSER AREA)	1
23	HC0348	CONDENSER COIL	1
24	C20010	TOP CONDENSER COVER SCREEN	1
25	C30002	CONDENSATE DRAIN BOX, REAR MOUNT	1
26	C30002-1	CONDENSER DRAIN BOX COVER	1
27	HC0219-1	TEMPERATURE CONTROL BOARD (DIXELL XW03K)	1
27	HC0219-2	TEMPERATURE CONTROL DISPLAY (DIXELL CX50)	1
28	N/A	DISCHARGE PIPE CLIP	2
29	C2194677	DOOR SWITCH 3 PIN WHITE (HC-050K4)	3
30	H00340	DOOR LOCK	1
31	HC0320-TSI	UPPER SHROUD	1
32	H00321	HINGE, UPPER SHROUD	2
33	N/A	SUPPORT STRIP	1
34	H03336	DRAIN CONNECTOR	1
35	H00215	TERMINAL BLOCK, 5 POLL	1
36	HC0157	SUCTION PIPE	1
37	C2194688	LED LIGHT STRIP (REACH-IN) (LED2835, 2.4W, 24 VDC)	2
38	H00327	HINGE PIN W/NUT	3
39	N/A	EVAPORATOR SUPPORT	1
41	H03335	SENSOR CLIP	1
42	H00112	FAN GUARD, EVAPORATOR, WHITE	1
43	HC0116-3	EVAPORATOR FAN MOTOR (IQC3608-010315/A03 L-1200)	1
44	HC0353R	EVAPORATOR COIL	1
46	H00143.1	EVAPORATOR DRIP PAN	1
47	N/A	SUPPORT PAN	1
48	N/A	MOTOR SUPPORT, EVAP FAN	1
49	N/A	MOTOR SUPPORT, EVAP FAN	1
50	N/A	AIR GUIDE	1
51	HC00024	CENTER MULLION	2
52	HC00112	CENTER MULLION BRACKET	4
53	H00112-1	EVAPORATOR FAN GUARD	1
54	H00336	DRAIN JOINT	1
55	G30002	DRAIN PIPE FITTING	1
56	G30001	DRAIN PIPE FITTING	1
57	H108140044	CONTROL PROTECTOR	1
57	H108140043	CONTROL PROTECTOR COVER	1



MODEL CF1-TSI-HC

MODEL CF1-TSI-HC

REF #	PART #	DESCRIPTION	QTY
1	H00316	CASTER, 4" DIAMETER WITH BRAKE	2
2	H104070118	LED POWER SUPPLY	1
3	C2194688	LED LIGHT STRIP (REACH-IN) (LED2835, 2.4W, 24 VDC)	1
4	C20021	HINGE, LOWER LEFT/RIGHT (TOP-MOUNT)	1
5	H00327	HINGE PIN W/NUT	1
6	N/A	MAIN BOX	1
7	C20029	HINGE, UPPER RIGHT	1
8	H00317	CASTER, 4" DIAMETER WITHOUT BRAKE	2
9	C30002	CONDENSER DRAIN BOX, REAR MOUNT	1
10	HRI2000	DISCHARGE PIPE	1
11	H00307	SHELF	3
11	H00307-C	SHELF /4 CLIPS	*
12	C3234860	PILASTER CLIP	12
13	H03343	PILASTER	4
14	H00324-2	FULL DOOR, SOLID TOP MOUNT (HC)	1
15	H00326	HINGE AXIS JACKET, BOTTOM	1
16	H00328	HINGE CARTRIDGE, SELF CLOSING	1
17	H00325-2	GASKET	1
19	H00215	TERMINAL BLOCK 5-POLE	1
20	N/A	MOUNTING BRACKET	1
21	C2194684	POWER CORD, 14AWG/NEMA 5-15P	1
23	C2194677	DOOR SWITCH 3-PIN WHITE	1
24	HC318-TSI	SHOUD ASSEMBLY, UPPER, 1DR TOP MOUNT	1
25	H00340	DOOR LOCK WITH 2 KEYS	1
26	H00321	HINGE, UPPER SHROUD	2
28	HC0219-3	TEMPERATURE CONTROL BOARD (DIXELL XW06K 4N1F0 40A)	1
28	H00205	TEMPERATURE SENSOR NTC TYPE (5' LENGTH)	2
28	HC0219-2	TEMPERATURE CONTROL DISPLAY (DIXELL CX50)	1
29	C20008	COVER, SCREEN, TOP CONDENSER 1DR	1
30	N/A	CONDENSER SUPPORT PANEL	1
31	HC0010F	COMPRESSOR (NEU2155U 115V/60HZ) W/FILTER DRIER	1
31	HC0010K	START KIT FOR NEU21155U	*
31	HC0011F	COMPRESSOR (SCE15CNLX 115V/60HZ) W/FILTER DRIER	*
31	HC0011K	START KIT FOR SCE15CNLX	*
32	RD00111	FAN GUARD BLACK - CONDENSER	1
33	H00110	CONDENSER FAN MOTOR, 9W CA27-04/CA01	1
34	HC0346	CONDENSER COIL	1
36	H00341	FILTER DRIER	1
37	N/A	EVAPORATOR HOUSING	1
39	H03335	SENSOR CLIP	1
40	HC0349F	EVAPORATOR COIL	1
41	H00112-1	EVAPORATOR FAN GUARD, WHITE	1
42	HC0116-2	EVAPORATOR FAN MOTOR (IQC3608-010315/A01 L=600)	1
43	N/A	EVAPORATOR FAN MOTOR SUPPORT	1
44	N/A	EVAPORATOR FAN COVER	1
46	HC0142	DRAIN PAN, EVAPORATOR	1
47	H00211	DRAIN LINE HEATER 13W	1
48	N/A	PANEL	1
50	C20005	COVER, SCREEN, BACK, CONDENSER, 1DR	1
51	C20028	HINGE, UPPER LEFT	1
52	N/A	FAN SHROUD	1
53	H00112-1	EVAPORATOR FAN GUARD	1
54	C30002-1	CONDENSER DRAIN BOX COVER	1
55	H03336	DRAIN PIPE CONNECTOR	1
56	N/A	PIPE CLIP	2
57	H00207	THERMAL FUSE, DEFROST HEATER	1
58	HC0201	DEFROST HEATING ELEMENT	1
59	H108140044	PLASTIC COVER (PROTECT CONTROL)	1
59	H108140043	PLASTIC COVER (PROTECT CONTROL)	1



MODEL CF2-TSI-HC

MODEL CF2-TSI-HC

REF #	PART #	DESCRIPTION	QTY
1	C20021	HINGE, LOWER LEFT/RIGHT (TOP-MOUNT)	1
2	H00327	HINGE PIN W/NUT	2
3	H00316	CASTER, 4" DIAMETER WITH BRAKE	2
4	N/A	MAIN BOX	1
5	H00317	CASTER, 4" DIAMETER WITHOUT BRAKE	2
6	H00326	HINGE AXIS JACKET, BOTTOM	2
7	H00324-2	FULL DOOR, SOLID TOP MOUNT (HC)	2
8	H03335	SENSOR CLIP	1
9	H00308	SHELF	6
9	H00308-C	SHELF /4 CLIPS	*
10	H00325-2	GASKET	2
11	H00328	HINGE CARTRIDGE, SELF CLOSING	1
12	C20028	HINGE, UPPER LEFT	2
14	HC0219-3	TEMPERATURE CONTROL BOARD (DIXELL XW06K 4N1F0 40A)	1
14	H00205	TEMPERATURE SENSOR NTC TYPE (5' LENGTH)	2
14	HC0219-2	TEMPERATURE CONTROL DISPLAY (DIXELL CX50)	1
15	H00340	DOOR LOCK WITH 2 KEYS	2
17	C2194677	DOOR SWITCH 3-PIN WHITE	2
18	HC2319	UPPER SHROUD, 2DR TOP MOUNT	1
19	H00321	HINGE, UPPER SHROUD	2
20	C20006	COVER, SCREEN, BACK, CONDENSER, 2DR	1
21	C2194684	POWER CORD, 14AWG/NEMA 5-15P	1
22	N/A	CONDENSER SUPPORT PANEL	1
23	HC0006F	COMPRESSOR (NT2180UV 115V/60HZ) W/FILTER DRIER	1
23	HC0006K	START KIT NT2180UV	*
23	HC0014F	COMPRESSOR (SCE18CNLX 115V/60HZ) W/FILTER DRIER	*
23	HC0014K	START KIT FOR SCE18CNLX	*
25	H00341	FILTER DRIER	1
26	H00123	FAN GUARD BLACK - CONDENSER	2
27	H00120	MOTOR, CONDENSER FAN, M4Q045-BD03-04/CO6 (5W)	2
28	HC0348	CONDENSER COILE (2 FANS)	1
29	C30002	CONDENSER DRAIN BOX, REAR MOUNT	1
30	C20009	COVER, SCREEN, TOP CONDENSER 2DR	1
31	N/A	EVAPORATOR HOUSING	1
33	H00112-1	EVAPORATOR FAN GUARD, WHITE	1
34	HC0116-1	EVAPORATOR FAN MOTOR (IQC3608-010315/A01 L=900)	1
35	HC0350F	EVAORATOR COIL	1
36	HC0202	DEFROST HEATING ELEMENT	1
37	H00143.1	DRAIN PAN, EVAPORATORE (USE AFTER 1409)	1
38	N/A	PANEL	1
39	N/A	EVAPORATOR FAN MOTOR SUPPORT PANEL	1
40	H00136	EVAPORATOR FAN MOTOR SUPPORT PANEL	1
41	H00212	DRAIN PIPE HEATER	1
42	C3234860	PILASTER CLIP	24
43	C2194688	LED LIGHT STRIP (REACH-IN) (LED2835, 2.4W, 24 VDC)	1
44	H03343	PILASTER	8
45	H104070118	LED POWER SUPPLY	1
46	C20029	HINGE, UPPER RIGHT	2
47	N/A	MOUNTING BRACKET	1
48	H00215	TERMINAL BLOCK 5-POLE	1
49	H00112-1	EVAPORATOR FAN GUARD	1
50	HRI2004	DISCHARGE PIPE	1
51	N/A	FAN SHROUD	1
52	HC00118	CENTER MULLION (2DF-TSI)	1
53	HC00112	CENTER MULLION BRACKET	2
54	H03336	DRAIN PIPE CONNECTOR	1
55	N/A	PIPE CLIP	2
56	C30002-1	CONDENSER DRAIN BOX COVER	1
57	H00207	THERMAL FUSE, DEFROST HEATER	1
58	H108140044	PLASTIC COVER (PROTECT CONTROL)	1
58	H108140043	PLASTIC COVER (PROTECT CONTROL)	1



For Tech Support or Parts Call:
1-704-900-2068

Website: <https://www.entree.biz>