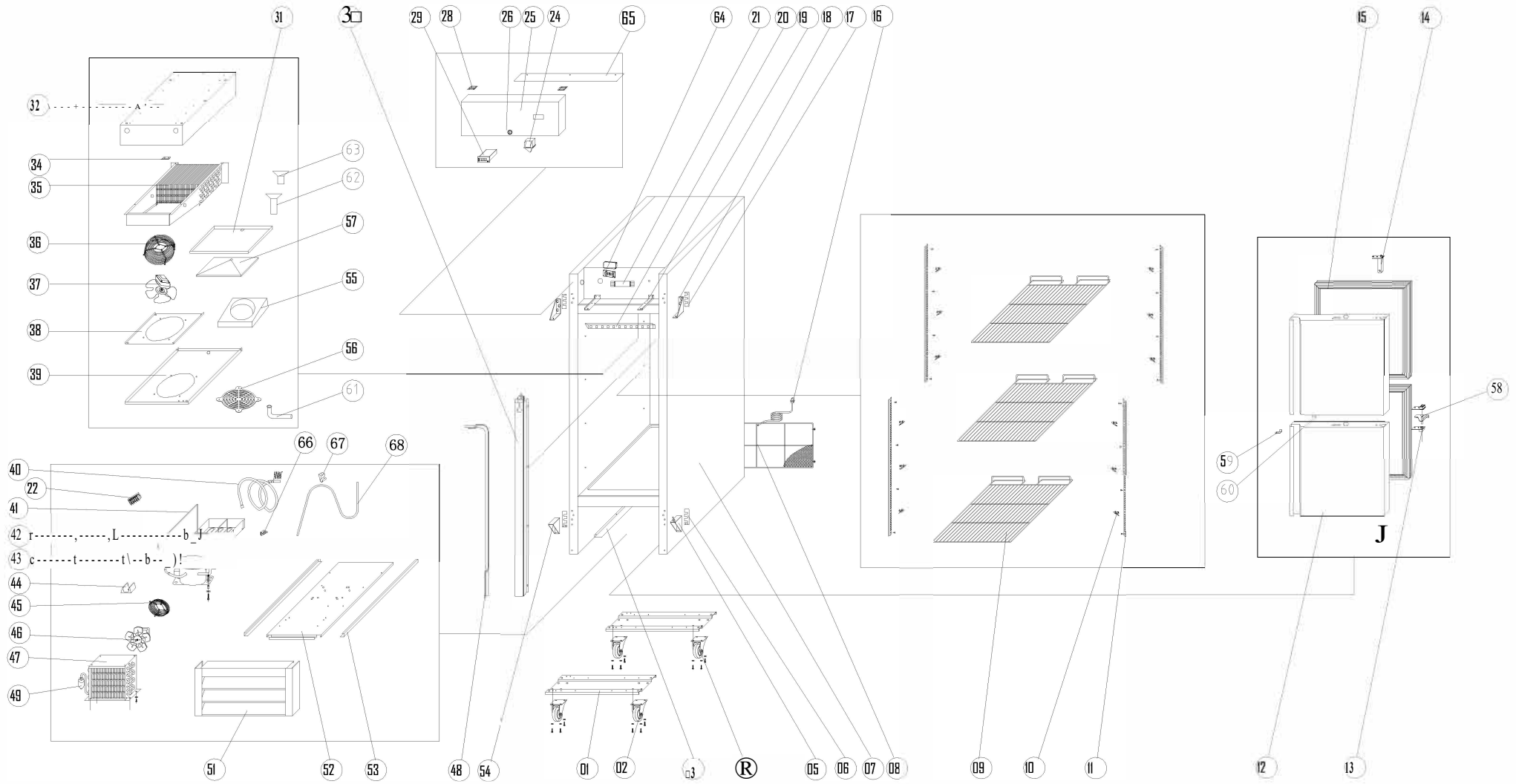


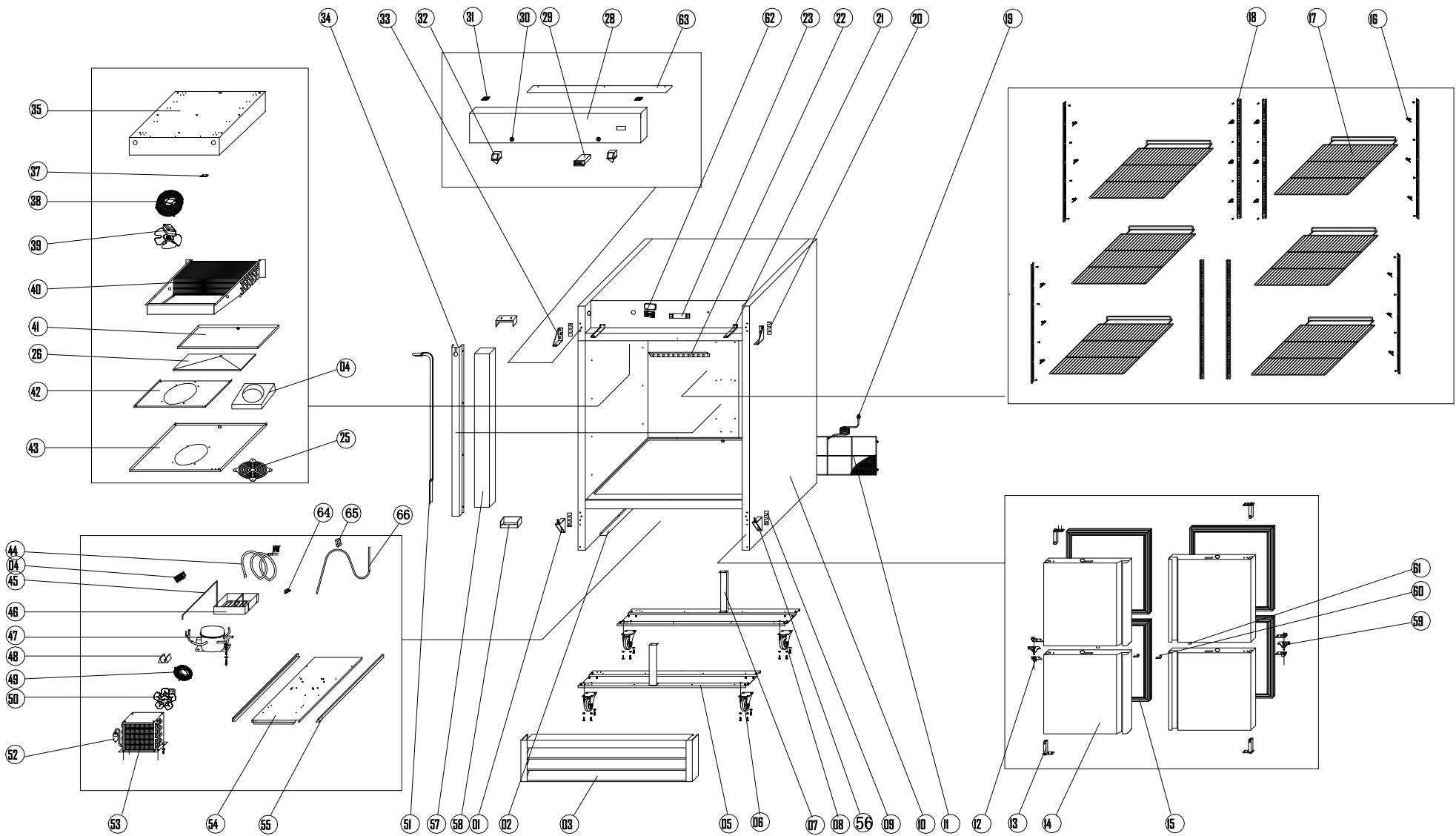


PARTS LIST
REACH-IN HALF DOOR MODELS
CR1-2HD-HC, CF1-2HD-HC,
CR2-4HD-HC, CF2-4HD-HC



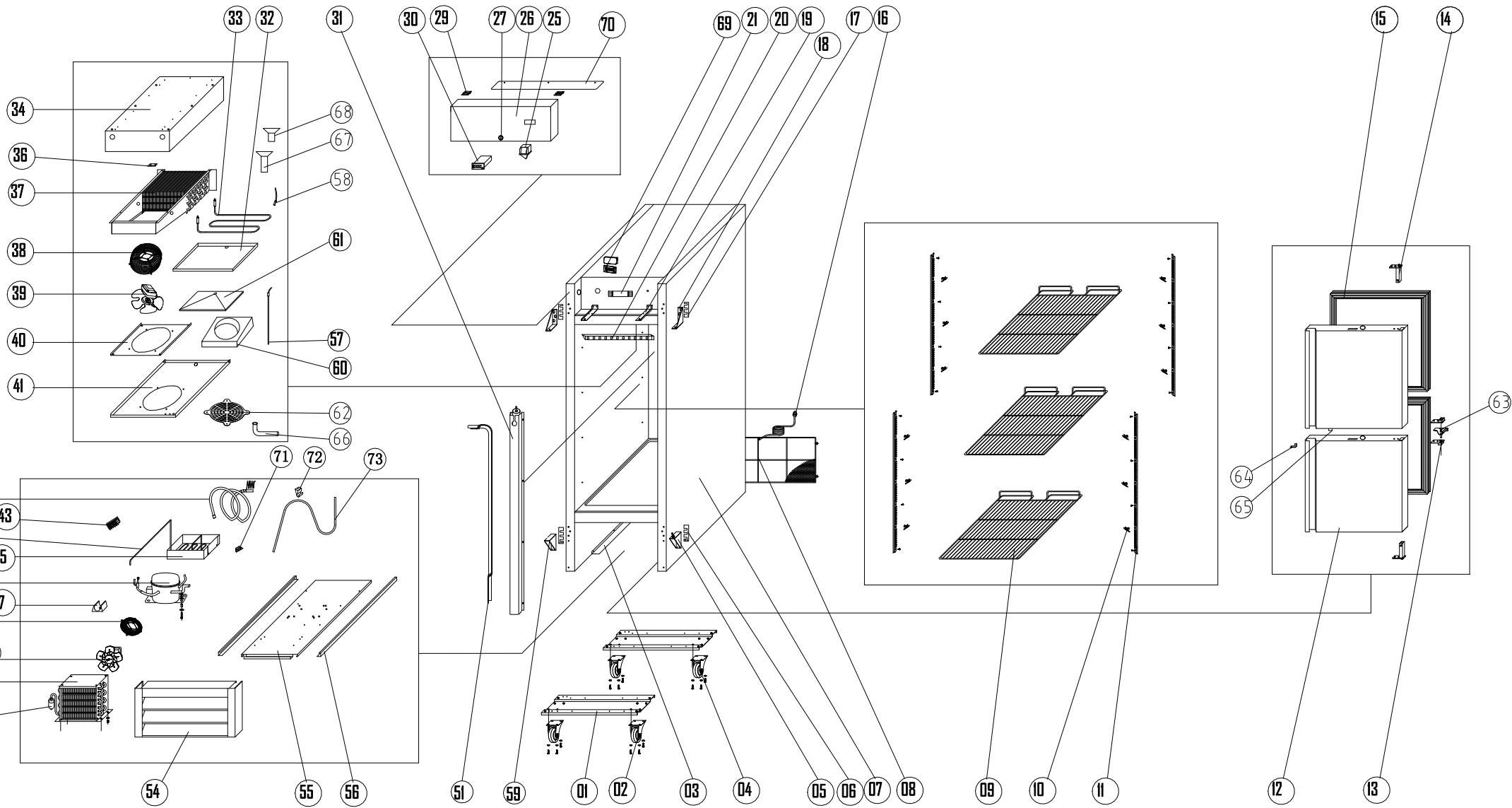


NO.	Entrée #	NAME	QTY.
1	N/A	PANEL	2
2	H00316	SWIVEL CASTER 4" W/BRAKE	2
3	N/A	BAFFLE PLATE	1
4	H00317	SWIVEL CASTER 4" W/O BRAKE	2
5	H00333	HINGE, LOWER RIGHT	1
6	H00329	SHIM, LOWER	2
7	N/A	BODY	1
8	H00313	COVER, LOWER REAR COMPARTMENT	1
9	H00307	SHELF	3
9	H00307-C	SHELF W/4 CLIPS	3*
10	C3234860	PILASTER CLIP	12
11	H00342	PILASTER	4
12	HC0324-HD	HALF DOOR, SOLID BOTT MOUNT	2
13	H00326	HINGE AXIS JACKET, BOTTOM	2
14	H00328	HINGE CARTRIDGE, SELF CLOSING	2
15	HC0325HD	GASKET, HALF DOOR	2
16	C2194684	POWER CORD, 14AWG/NEMA 5-15P	1
17	H00329-1	SHIM, UPPER HINGE	2
18	H00331	HINGE, UPPER RIGHT	1
18	H00330	HINGE, UPPER LEFT	1
19	N/A	BRACKET, FRONT PANEL	2
20	C2194688	LED LIGHT STRIP (REACH-IN) (LED2835, 2.4W, 24 VDC)	1
21	H104070118	LED POWER SUPPLY	1
22	H00215	TERMINAL BLOC, 5 POLL	1
24	C2194677	DOOR SWITCH 3 PIN WHITE (HC-050K4)	1
25	H5114000647	SHROUD, UPPER	1
26	H00340	DOOR LOCK	1
28	H00321	HINGE, UPPER SHROUD	2
29	H00219-1	TEMPERATURE CONTROL BOARD (DIXELL XW03K)	1
29	HC0219-2	TEMPERATURE CONTROL DISPLAY (DIXELL CX50)	1
30	H00311	CHANNEL SUCTION LINE COVER	1
31	HC0142	EVAPORATOR DRIP PAN	1
32	N/A	EVAPORATOR PAN	1
34	H00335	TEMP SENSOR BRACKET	1
35	HC0349R	EVAPORATOR COIL	1
36	H00112	FAN GUARD, EVAPORATOR, WHITE	1
37	HC0116-2	EVAPORATOR FAN MOTOR (IQC3608-010315/A03 L-600)	1
38	HC0131	EVAPORATOR FAN MOTOR SUPPORT	1
39	HC0151	EVAPORATOR FAN COVER, WHITE	1
40	HDV0011B	HELIX SUCTION PIPE+CAPILLARY B	1
41	HC0149	SUCTION PIPE	1
42	C30014	CONDENSER DRAIN BOX	1
43	HC0001F	COMPRESSOR (EM2X3117U) W/ FILTER DRIER	1
43	HC0001K	START KIT FOR EM2X3117U	*
44	N/A	FILTER DRIER SUPPORT	1
45	H00113-1	FAN GUARD BLACK (CONDENSER)	1
46	H00110	CONDENSER FAN MOTOR, 9W M4Q045-CA27-04/CA01	1
47	HC0347	CONDENSER COIL	1
48	HDV008A	VERTICAL SUCTION PIPE+CAPILLARY A	1
49	H00341	FILTER DRIER	1
51	H00337	BOTTOM SHROUD (ENTRÉE)	1
52	N/A	CONDENSER PAN	1
53	N/A	GUIDE RAIL	1
53	N/A	GUIDE RAIL	1
54	H00332	HINGE, LOWER LEFT	1
55	N/A	AIR GUIDE	1
56	H00112-1	EVAPORATOR FAN GUARD	1
57	N/A	SUPPORT PAN	1
58	H00334-2HD	MIDDLE HINGE	1
59	N/A	PLUG BUTTON	1
60	N/A	PLUG BUTTON	1
61	H00336	DRAIN JOINT	1
62	G30002	DRAIN PIPE FITTING	1
63	G30001	DRAIN PIPE FITTING	1
64	H108140044	CONTROL PROTECTOR	1
64	H108140043	CONTROL PROTECTOR COVER	1
65	N/A	TOP COVER	1
66	N/A	DRAIN BRACKET	1
67	N/A	DRAIN HOLDER	1
68	HC0391	DRAIN PIPE	1



CR2-4HD-HC

NO.	Entrée #	NAME	QTY.
1	H00332	HINGE, LOWER LEFT	1
2	N/A	PANEL	1
3	H00338-1	LOWER SHROUD, 2DRS BOTTOM MOUNT	1
4	N/A	AIR GUIDE	1
5	N/A	LOWER SUPPORT PANEL	2
6	H00316	SWIVEL CASTER 4" W/BRAKE	2
7	N/A	STRUCTURE SUPPORT	2
8	H00317	SWIVEL CASTER 4" W/O BRAKE	2
9	H00329	SHIM, LOWER	2
10	N/A	BODY	1
11	H00314	COVER, LOWER REAR COMPARTMENT	1
12	H00326	HINGE AXIS JACKET, BOTTOM	4
13	H00328	HINGE CARTRIDGE, SELF CLOSING	4
14	HC0324-HD	HALF DOOR, SOLID BOTT MOUNT	4
15	HC0325HD	GASKET, HALF DOOR	4
16	C3234860	PILASTER CLIP	24
17	H00308	SHELF, LEFT OR RIGHT	6
17	H00308-C	SHELF, LEFT OR RIGHT W/4 CLIPS	6
18	H00342	PILASTER	8
19	C2194684	POWER CORD, 14AWG/NEMA 5-15P	1
20	H00329-1	SHIM, UPPER HINGE	2
21	N/A	Fixed Clip Of Front Panle	2
22	C2194688	LED LIGHT STRIP (REACH-IN) (LED2835, 2.4W, 24 VDC)	1
23	H104070118	LED POWER SUPPLY	1
24	H00215	TERMINAL BLOC, 5 POLL	1
25	H00112-1	EVAPORATOR FAN GUARD	1
26	N/A	SUPPORT PAN	1
28	HC0319	SHROUD, UPPER 2DR BTM MT	1
29	H00219-1	TEMPERATURE CONTROL BOARD (DIXELL XW03K)	1
29	HC0219-2	TEMPERATURE CONTROL DISPLAY (DIXELL CX50)	1
30	H00340	DOOR LOCK	2
31	H00321	HINGE, UPPER SHROUD	2
32	C2194677	DOOR SWITCH 3 PIN WHITE (HC-050K4)	2
33	H00330	HINGE, UPPER LEFT	1
33	H00331	HINGE, UPPER RIGHT	1
34	H00311	CHANNEL SUCTION LINE COVER	1
35	N/A	EVAPORATOR SUPPORT	1
37	H00335	TEMP SENSOR BRACKET	1
38	H00112	FAN GUARD, EVAPORATOR, WHITE	1
39	HC0116-1	EVAPORATOR FAN MOTOR (IQC3608-010315/A03 L-900)	1
40	HC0350R	EVAPORATOR COIL	1
41	H00143.1	EVAPORATOR DRIP PAN	1
42	N/A	EVAPORATOR FAN SUPPORT	1
43	H00153	EVAPORATOR COVER, WHITE	1
44	HDV0010B	HELIX SUCTION PIPE+CAPILLARY B	1
45	HC0149	SUCTION PIPE	1
46	C30014	CONDENSER DRAIN BOX	1
47	H00039F	COMPRESSOR (EM2X3125U) W/ FILTER DRYER	1
47	H00228	HARD START KIT, FOR COMPRESSOR EM2X3125U	*
48	N/A	FILTER DRIER SUPPORT BRACKET	1
49	H00113-1	FAN GUARD BLACK (CONDENSER)	1
50	H00110	CONDENSER FAN MOTOR, 9W M4Q045-CA27-04/CA01	1
51	H00303	CAPILLARY TUBE .055" ID X 118.1" L	1
52	H00341	FILTER DRIER	1
53	HC0347	CONDENSER COIL	1
54	N/A	CONDENSER PAN	1
55	N/A	GUIDE RAIL	1
55	N/A	GUIDE RAIL	1
56	H00333	HINGE, LOWER RIGHT	1
57	HC00024	CENTER MULLION	1
58	HC00112	CENTER MULLION BRACKET	2
59	H00334-2HD	MIDDLE HINGE	2
60	N/A	PLUG BUTTON	1
60	N/A	PLUG BUTTON	1
61	N/A	PLUG BUTTON	2
62	H108140044	CONTROL PROTECTOR	1
62	H108140043	CONTROL PROTECTOR COVER	1
63	N/A	TOP COVER	1
64	N/A	DRAIN BRACKET	1
65	N/A	DRAIN BRACKET	1
66	HC0391	DRAIN PIPE	1

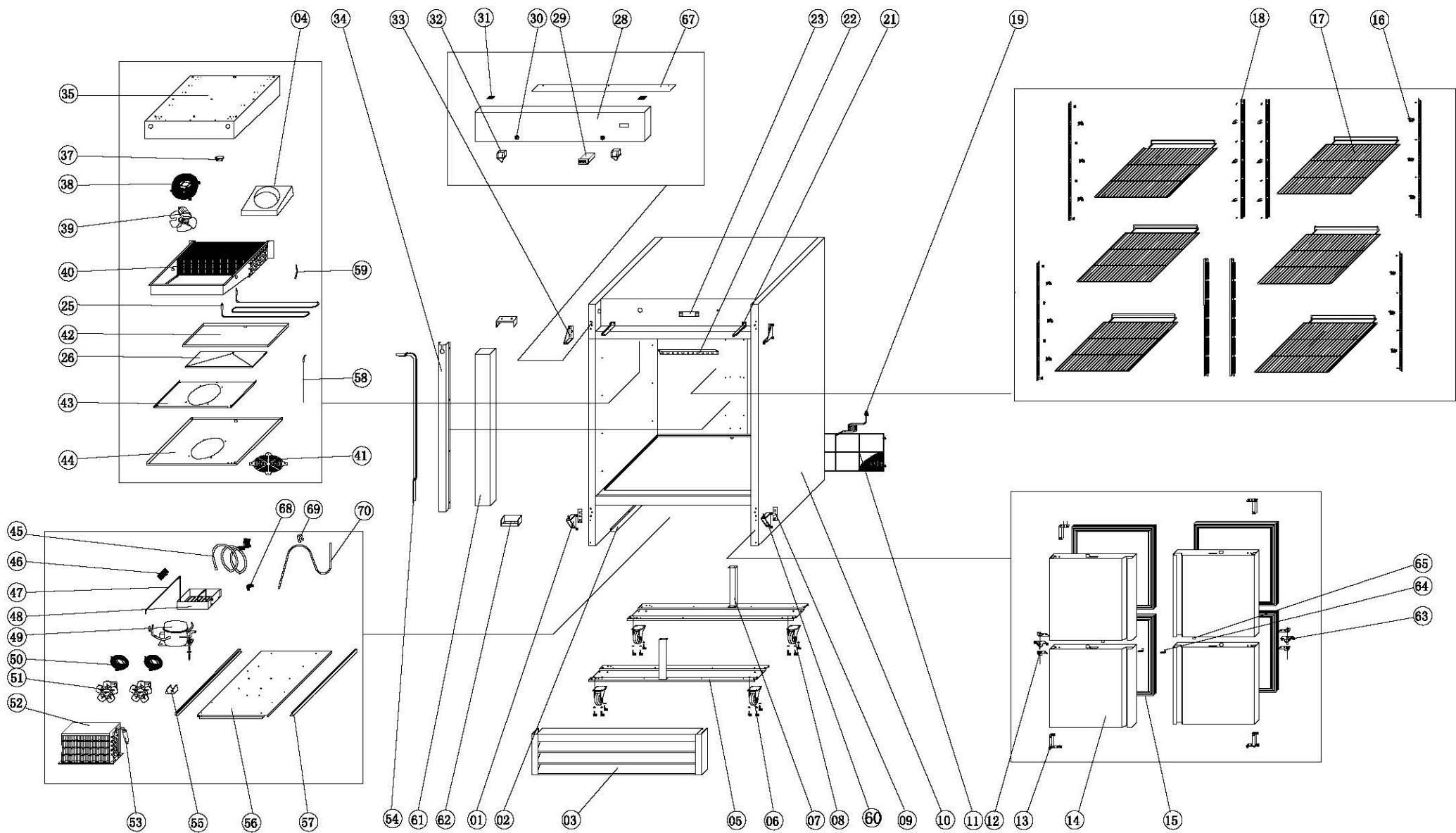


CF1-1HD-HC

PARTS LISTING FOR CF1-1HD-EC (R290)

NO.	PART #	DESCRIPTION	QTY.
1	N/A	SUPPORT	2
2	H00316	FRONT SWIVEL CASTER W/BRAKE	2
3	N/A	BAFFLE PLATE	1
4	H00317	REAR, SWIVEL CASTER W/O BRAKE	2
5	H00333	LOWER RIGHT DOOR HINGE	1
6	H00329	LOWER HINGE SHIM	2
7	N/A	BODY	1
8	H00313	COVER, LOWER, REAR COMPARTMENT	1
9	H00307	SHELF	3
10	C3234860	PILASTER CLIP	12
11	H00342	PILASTER	4
12	HC0324-HD	HALF DOOR (BOTTOM MOUNT)	2
13	H00326	HINGE AXIS JACKET, BOTTOM	2
14	H00328	HINGE CARTRIDGE, SELF CLOSING	2
15	HC0325HD	GASKET, HALF DOOR HC	2
16	C2194684	POWER CORD, 14AWG/ NEMA 5-15P	1
17	H00329-1	SHIMS, UPPER DOOR HINGES	2
18	H00331	HINGE, TOP RIGHT	1
18	H00330	HINGE, TOP LEFT	1
19	N/A	UPPER FRONT PANEL BRACKET	2
20	C2194688	LED LIGHT STRIP (REACH-IN)	1
21	H104070118	LED POWER SUPPLY	1
25	C2194677	DOOR SWITCH	1
26	H5114000647	UPPER SHROUD, BOTTOM MOUNT	1
27	H00340	DOOR LOCK	1
29	H00321	HINGE, UPPER SHROUD	2
30	HC0219-3	TEMPERATURE CONTROL BOARD (DIXELL XW06K 4N1F0 40A)	1
30	HC0219-2	TEMPERATURE CONTROL DISPLAY (DIXELL CX50)	1
30	H00205	TEMPERATURE SENSOR	2
31	H00311	CHANNEL SUCTION LINE COVER	1
32	HC0142	DRAIN PAN - EVAPORATOR	1
33	HC0201	DEFROST HEATING ELEMENT	1
34	N/A	MOUNTING BOARD FOR EVAPORATOR COIL	1
36	H00335	SENSOR CLIP	1
37	HC0349F	EVAPORATOR COIL	1
38	H00112	FAN GUARD, EVAPORATOR, WHITE	1
39	HC0116-2	EVAPORATOR FAN MOTOR W/BLADE	1

NO.	PART #	DESCRIPTION	QTY.
40	HC0131	EVAP FAN MOTOR SUPPORT	1
41	HC0151	EVAP FAN COVER	1
42	H113100668	HELIX SUCTION PIPE+CAPILLARY B	1
43	H00215	TERMINAL BLOCK, 5 POLE	1
44	HC0124	EVAPORATOR PIPE	1
45	C30003	CONDENSER DRAIN BOX, BOT-MOUNT	1
46	HC0011F	COMPRESSOR (SCE15CNLX) W/FILTER DRIER	1
46	H00023	START KIT FOR SCE15CNLX	*1
47	N/A	FILTER DRIER SUPPORT	1
48	RD00111	CONDENSER FAN COVER	1
49	H00110	CONDENSER FAN MOTOR WITH BLADE, 115V 9W	1
50	HC0346	CONDENSER COIL	1
51	HDV007A	VERTICAL SUCTION PIPE+CAPILLARY A	1
52	H00341	FILTER DRIER	1
54	H00337	BOTTOM SHROUD, BOTTOM MOUNT	1
55	N/A	LOWER PANEL	1
56	N/A	GUIDE LEFT	1
56	N/A	GUIDE RIGHT	1
57	H00211	HEATER, DRAIN PIPE, 13W	1
58	H00207	FUSE, THERMAL, DEFROST HEATER	1
59	H00332	HINGE, BOTTOM LEFT	1
60	N/A	AIR GUIDE	1
61	N/A	COVER	1
62	H00112-1	EVAPORATOR FAN GUARD	1
63	H00334-2HD	MIDDLE HINGE	1
64	N/A	DOWN SEALING PART	1
65	N/A	UP SEALING PART	1
66	H00336	DRAIN JOINT ELBOW	1
67	G30002	DRAIN PIPE (FEMALE)	1
68	G30001	DRAIN PIPE (MALE)	1
69	H108140044	COVER DOOR	1
69	H108140043	CONTROLLER COVER	1
70	N/A	TOP COVER	1
71	N/A	DRAIN BRACKET	1
72	N/A	DRAIN SUPPORT	1
73	HC0391	DRAIN PIPE	1



MODEL CF2-4HD-HC (R290)

REF	PART #	DESCRIPTION	QTY
1	HD0332	HINGE, BOTTOM LEFT	1
2	N/A	SLIDE BRACKET	1
3	HC0338	SHROUD, LOWER 2 DOOR	1
4	N/A	FAN SHROUD	1
5	N/A	CASTER SUPPORT CHANEL	2
6	H00316	CASTER, 4" DIAMETER WITH BRAKE	2
7	N/A	SUPPORT BRACKET	2
8	H00317	CASTER, 4" DIAMETER WITHOUT BRAKE	2
9	H00329-1	SHIMS, LOWER DOOR HINGES	2
10	NA	CABINET	1
11	H00314	COVER, LOWER, REAR COMPARTMENT	1
12	H00326	HINGE AXIS JACKET, BOTTOM	4
13	H00328	HINGE CARTRIDGE, SELF CLOSING	4
14	HC0324-HD	HALF DOOR, SOLID BOTTOM MOUNT	4
15	H00325HD	GASKET, HALF DOOR MODELS	4
16	C3234860	PILASTER CLIP	24
17	H00308	SHELF	6
18	H00342	SHELF SUPPORT	8
19	C2194684	POWER CORD, 14AWG/NEMA 5-15P	1
21	N/A	UPPER SUPPORT BRACKET	2
22	C2194688	LED LIGHT STRIP (REACH-IN) (LED2835, 2.4W, 24	1
23	H104070118	LED POWER SUPPLY	1
25	HC0202	DEFROST HEATING ELEMENT	1
26	N/A	PANEL	1
28	HC2320	UPPER SHROUD, 4-HD BOTTOM MOUNT	1
29	HC0204	ELECTRONIC THERMOSTAT	1
30	H00340	DOOR LOCK WITH 2 KEYS	2
31	H00321	HINGE, UPPER SHROUD	2
32	C2194677	DOOR SWITCH 3-PIN WHITE	2
33	H00331	HINGE, TOP RIGHT	1
33	H00330	HINGE, TOP LEFT	1
34	H00311	CHANNEL, SUCTION LINE COVER	1
35	N/A	EVAPORATOR HOUSING	1
37	H00335	SENSOR CLIP	1
38	H00112-1	EVAPORATOR FAN GUARD, WHITE	1
39	HC0120	EVAPORATOR FAN MOTOR 7108, 900RPM	1

REF	PART #	DESCRIPTION	QTY
40	HC0350F	EVAORATOR COIL	1
41	H00112-1	EVAPORATOR FAN GUARD	1
42	H00143.1	DRAIN PAN, EVAPORATORE (USE AFTER 1409)	1
43	N/A	EVAPORATOR FAN MOTOR SUPPORT PANEL	1
44	H00153	EVAPORATOR COVER, WHITE	1
45	HDV0013B	HELIX SUCTION PIPE+CAPILLARY B	1
46	H00215	TERMINAL BLOCK 5-POLE	1
47	HRI2001	EVAPORATOR PIPE	1
48	C30014	CONDENSER DRAIN BOX	1
49	HC0006F	COMPRESSOR (NT2180UV 115V/60HZ) W/FILTER	1
49	HC0006K	START KIT FOR NT2180UV	*
49	HC0014F	COMPRESSOR (SCE18CNLX 115V/60HZ)	*
49	HC0014K	START KIT FOR SCE18CNLX	*
50	H00123	FAN GUARD BLACK - CONDENSER	2
51	H00120	MOTOR, CONDENSER FAN, M4Q045-BD03-	2
52	HC0348	CONDENSER COILE (2 FANS)	1
53	H00341	FILTER DRIER	1
54	HDV010A	VERTICAL SUCTION PIPE+CAPILLARY A	1
55	N/A	DRIER SUPPORT	1
56	N/A	CONDENSER SUPPORT PANEL	1
57	N/A	GUIDE RIGHT	1
57	N/A	GUIDE LEFT	1
58	H00212	DRAIN PIPE HEATER	1
59	H00207	THERMAL FUSE, DEFROST HEATER	1
60	HD0333	HINGE, BOTTOM RIGHT	1
61	HC00119	CENTER MULLION	1
62	HC00112	CENTER MULLION BRACKET	2
63	H00334-2HD	HINGE, MIDDLE HALF DOOR	2
64	N/A	LOWER COVER	1
64	N/A	LOWER COVER	1
65	N/A	UPPER COVER	2
67	N/A	TOP COVER	1
68	N/A	DRAIN BRACKET	1
69	N/A	DRAIN CLAMP	1
70	HC0391	DRAIN TUBE (1/2" DIA X 20" LONG	1



For Tech Support or Parts Call:
1-704-900-2068
Website: <http://www.entree.biz>