



PARTS LIST FOR ALL ENTEE GAS RANGES



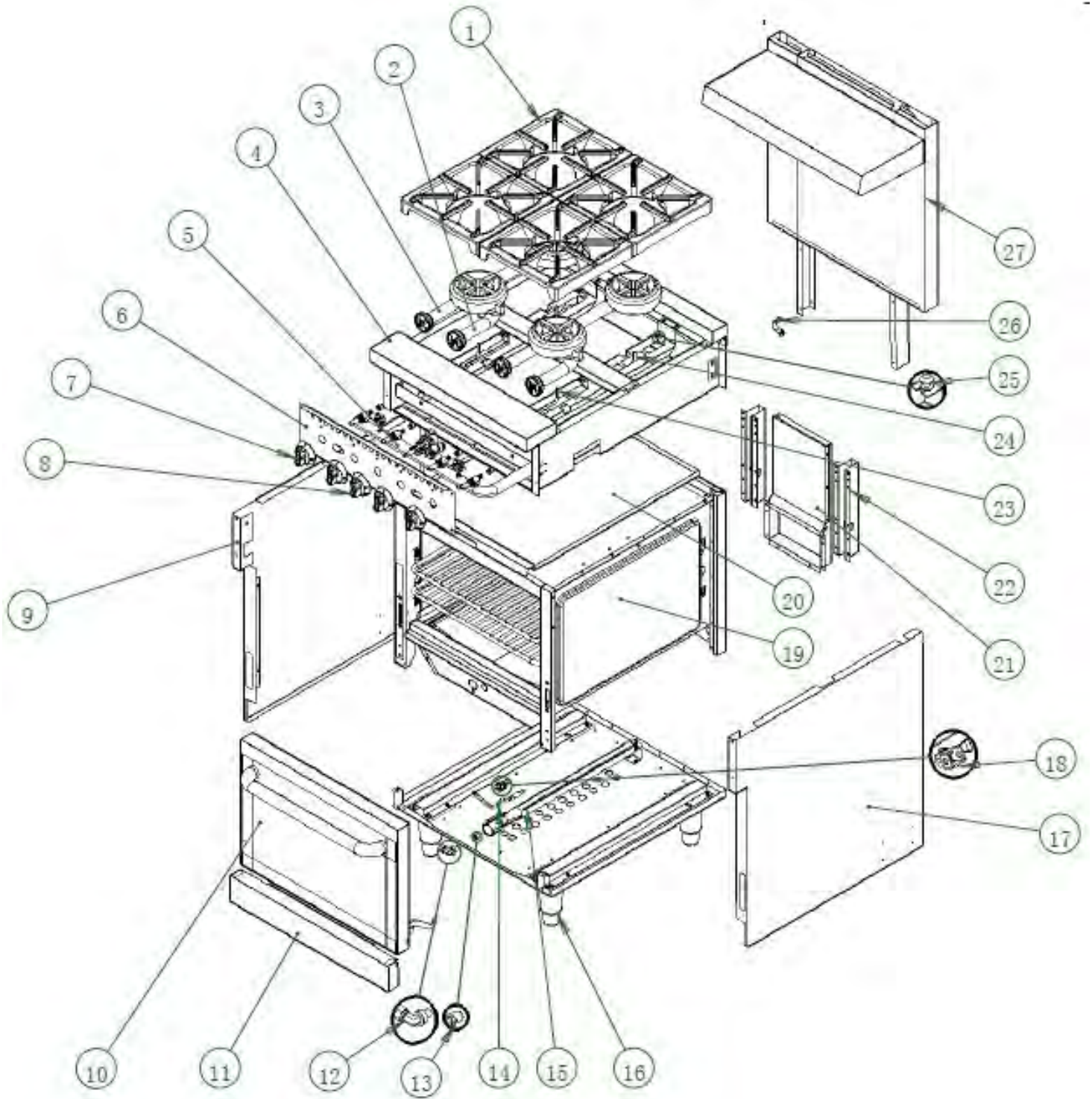


PARTS LIST FOR R4 GAS RANGE



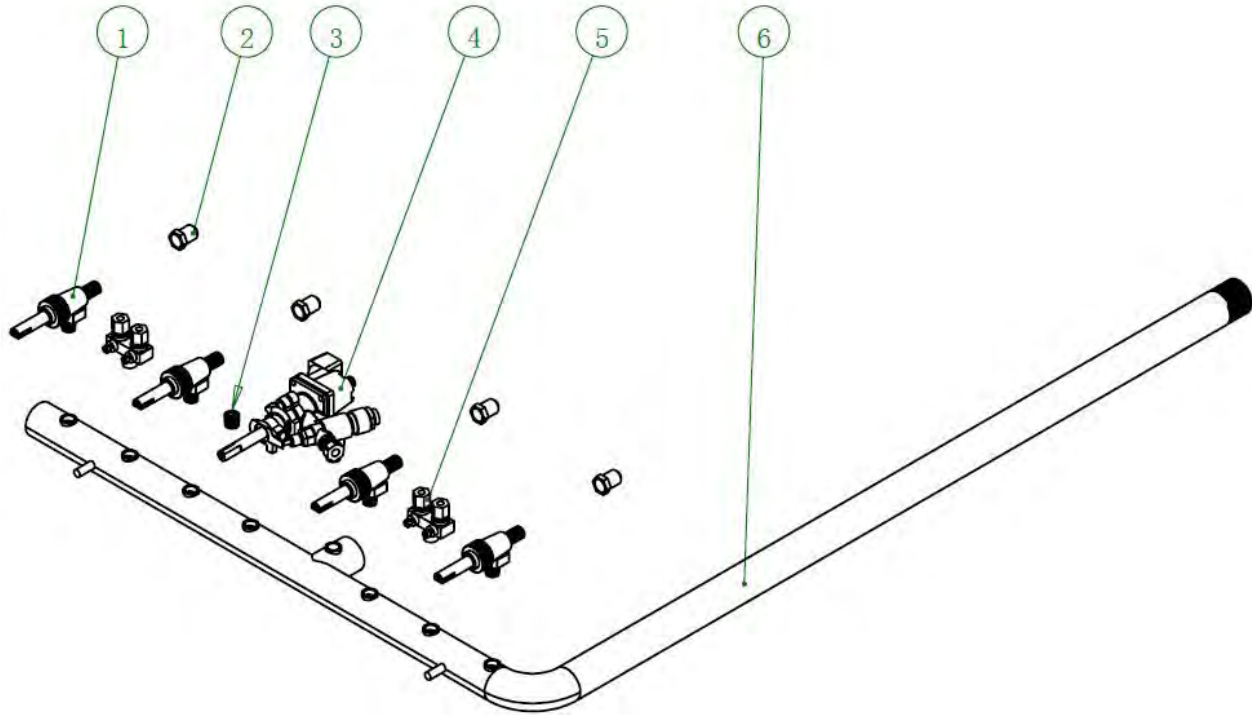
MODEL R4-N & R4-P

R4 RANGE



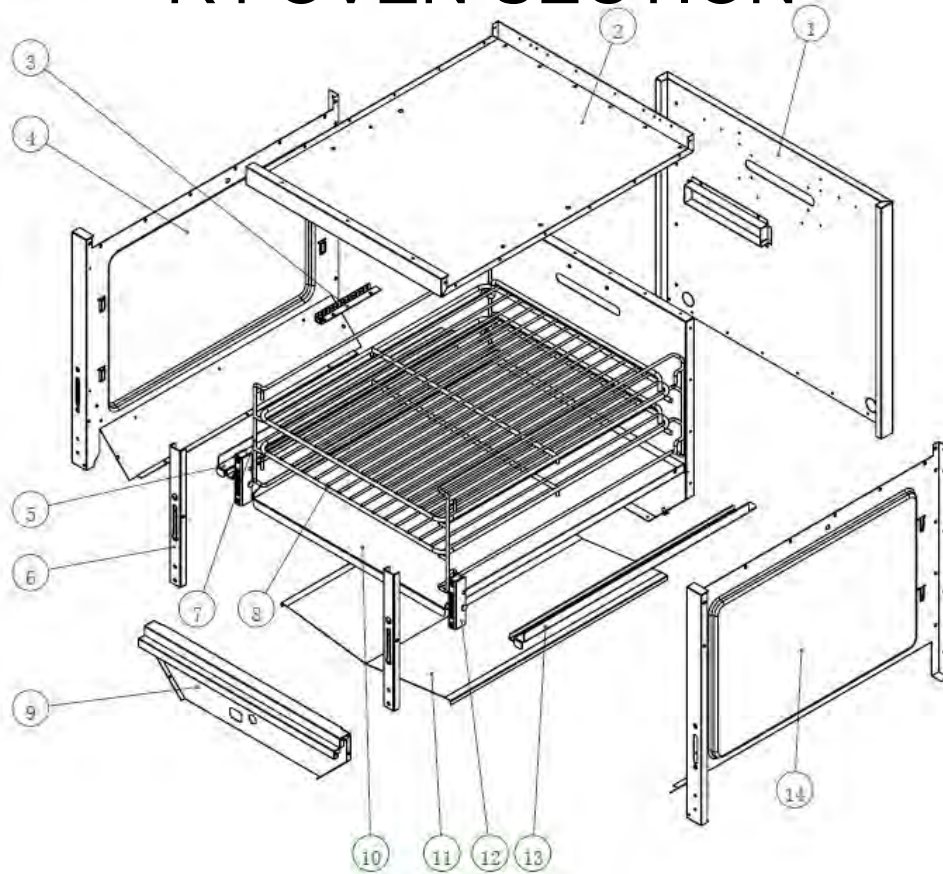
No.	Part #	Description	QTY
1	GR10021	BURNER GRATE	4
2	GR10032	BURNER ASSEMBLY (SHORT)	2
3	GR10031	BURNER ASSEMBLY (LONG)	2
4	GR10324	FRONT RAIL	1*
5	N/A	GAS CONTROL ASSEMBLY	1
6	GR10073	FRONT CONTROL PANEL	1
7	GR10069	BURNER KNOB RED	4
7	GR10069K	BURNER KNOB (CHROME)	OPTIONAL
7	GR10069P	BURNER KNOB (GREEN)	OPTIONAL
8	GR10070-1	OVEN KNOB (STANDARD RED)	1
	GR10070-1K	OVEN THERMOSTAT KNOB (CHROME)	OPTIONAL
	GR10070-1P	OVEN THERMOSTAT KNOB (GREEN)	OPTIONAL
9	GR10158	LEFT SIDE BODY SIDE	1
10	GR10089	OVEN DOOR ASSEMBLY R4	1
11	GR10148	LOWER FRONT PANEL R4	1*
12	GR10009	ORIFICE ELBOW W/LOCKING NUT, COMPRESSION NUT, AND COMPRESSION FERRULE	1
13	GR10082	OVEN ORIFICE FITTING, NAT #36	1
13	GR10084	OVEN ORIFICE FITTING, LPG #50	1
14	GR10075-21	THERMOCOUPLE	1
15	GR10008	OVEN TUBE BURNER	1
16	GR10003.1	ADJUSTABLE LEG	4
16	GR10085-2	STEM CASTER W/O BRAKE (NOT SHOWN)	2 OPT
	GR10086-2	STEM CASTER W/BRAKE (NOT SHOWN)	2 OPT
16	GR10149	LEG OR CASTER MOUNTING PLATE	4
17	GR10121	RIGHT BODY SIDE	1
18	GR10075-4	OVEN PILOT, NG	1
	GR10095	OVEN PILOT ORIFICE ONLY, (NAT .018)	1
18	GR10075-3	OVEN PILOT, LPG	1
18	GR10096	OVEN PILOT ORIFICE ONLY, (LP .010)	
19	N/A	OVEN CAVITY	1
20	GR10080	CRUMB TRAY	1
21	GR10028	INNER FLUE ASSEMBLY	1*
22	GR10066	SLIDE RAIL SUPPORT (REAR BAFFLE)	2
23	GR10801	PILOT TUBING (FRONT BURNER)	2
24	GR10802	PILOT TUBING (REAR BURNER)	2
25	GC10003	PILOT BURNER	4
26	GR10001	MANIFOLD SUPPORT BRACKET	1*
27		SEE HIGH SHELF SECTION	
* NON STOCKING PART			

R4 MANIFOLD SECTION



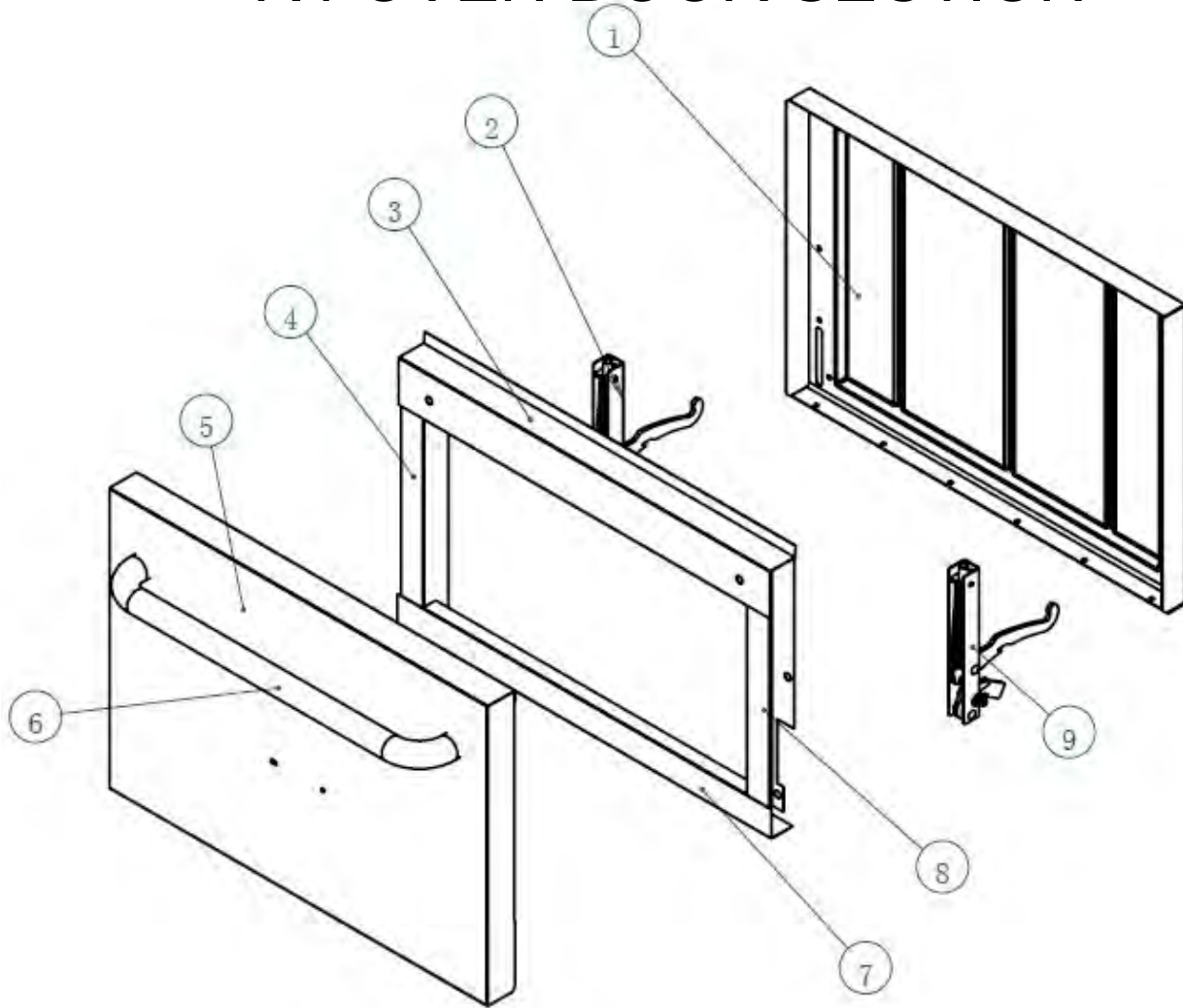
No.	Part Code	Part #	DESCRIPTION	QTY
1	302050051	GR10087	TOP BURNER GAS VALVE	4
2	302150190	GR10083	BURNER NOZZLE, LP #51	4
2	302150198	GR10082	BURNER NOZZLE, NAT #36	4
3	302200620	GR10015	1/8" PIPE PLUG	1*
4	302220127	GR18520	OVEN THERMOSTAT/SAFETY VALVE W/FITTINGS	1
5	302220027	GR10018	DUAL PILOT ADJUSTMENT VALVE	2
6	302180496	N/A	GAS INLET PIPE ASSEMBLY	1
* NON STOCKING PART				

R4 OVEN SECTION



No.	Part #	DESCRIPTION	QTY
1	N/A	REAR SHROUDING ASSEMBLY	1
2	N/A	OVEN TOP LINER	1
3	GR10049	THERMOSTAT BULB HOLDER	1*
4	N/A	OVEN LEFT INNER SIDE PANEL	1
5	N/A	BOTTOM LEFT SUPORT CHANNEL	1
6	N/A	OVEN FRONT SIDE REINFORCE PLATE (L OR R)	2
7	GR10005	OVEN RACK GUIDE	2
8	GR10004.5	OVEN RACK	2
9	N/A	OVEN LOWER FRONT PLATE	1
10	GR10159	OVEN BOTTOM	1*
11	GR10160	FIRE PLATE (R4)	1*
12	GR10014	DOOR HINGE SUPPORT BRACKET	2
13	N/A	BOTTOM RIGHT SUPORT CHANNEL	1
14	N/A	OVEN RIGHT INNER SIDE PANEL	1
* NON STOCKING PART			

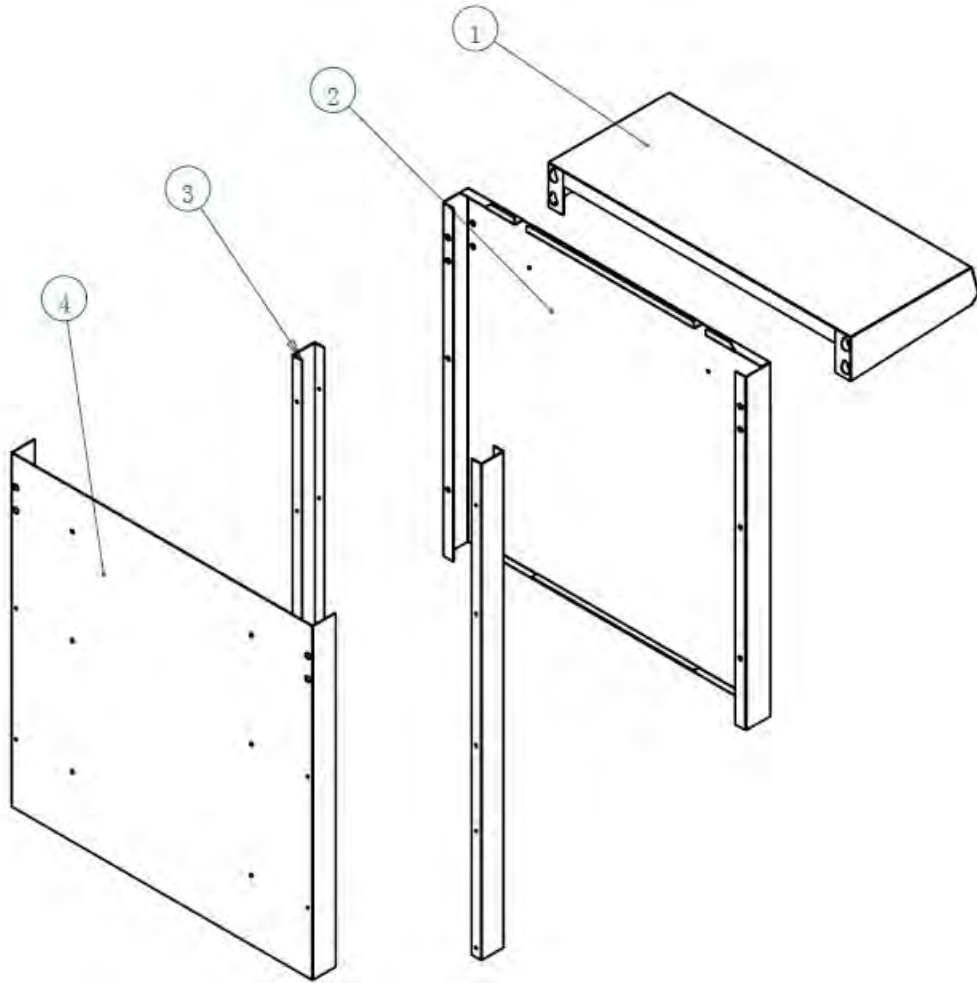
R4 OVEN DOOR SECTION



No.	Part #	DESCRIPTION	QTY
	GR10089	DOOR ASSEMBLY W/ ENTRÉE LOGO (INCLUDES BELOW)	1
1	N/A	DOOR LINER	1*
2	GR10012-1	DOOR HINGE ASSY (LEFT) (USE AFTER DATE CODE 1508)	1
2	GR10012	DOOR HINGE ASSY (LEFT) (USE PRIOR TO DATE CODE 1508)	1
3	N/A	OVEN DOOR TOP STIFFENER	1*
4	N/A	OVEN DOOR LEFT STIFFENER	1*
5	N/A	DOOR PANEL	1*
6	GR10081	DOOR HANDLE	1
7	N/A	OVEN DOOR BOTTOM STIFFENER	1*
8	N/A	OVEN DOOR RIGHT STIFFENER	1*
9	GR10013-1	DOOR HINGE ASSY (RIGHT) (USE AFTER DATE CODE 1508)	1
9	GR10013	DOOR HINGE ASSY (RIGHT) (USE PRIOR TO DATE CODE 1508)	1

*** NON STOCKING PART**

R4 HIGH SHELF SECTION



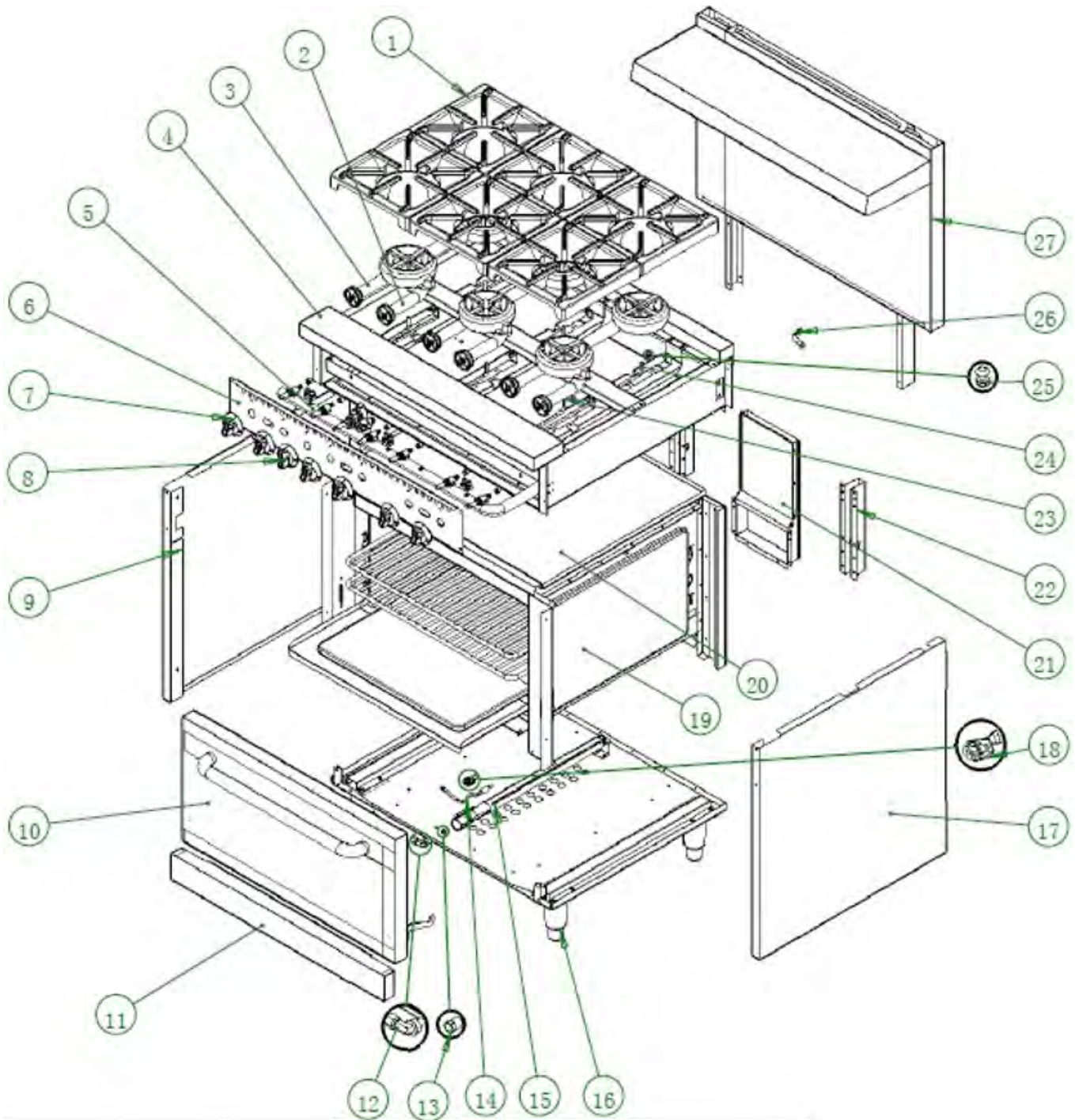
No.	Part #	Description	QTY
	GR10078	HIGH SHELF ASSEMBLY (R4) (INCLUDES ALL BELOW)	
1	GR10076	PLATE SHELF	1
2	GR10110	24" HIGH SHELF FRONT PANEL	1*
3	GR10064	HIGH SHELF BRACKET	2*
4	GR10108	24" HIGH SHELF REAR PANEL	1*
* NON STOCKING PART			

PARTS LIST FOR R6 GAS RANGE



MODEL R6-N & R6-P

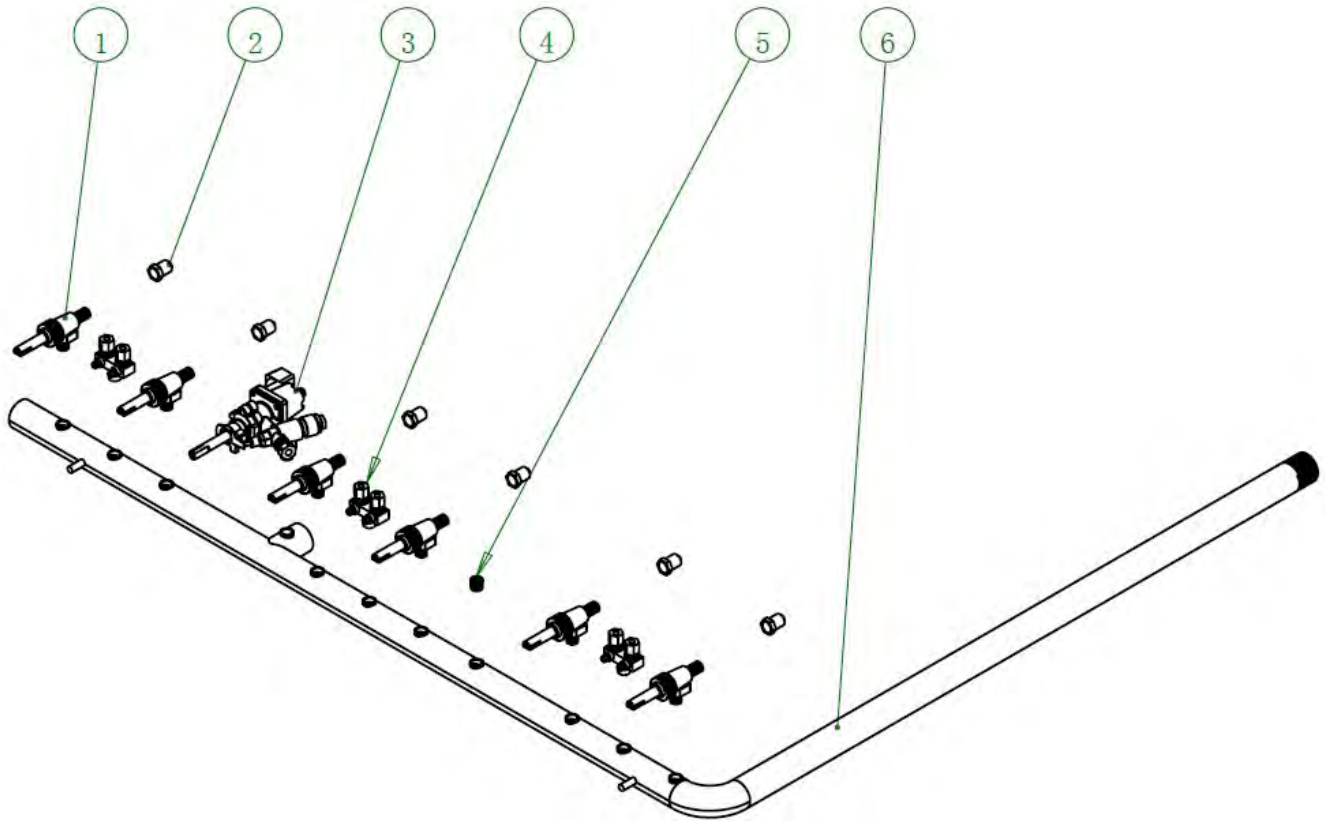
R6 MAIN SECTION



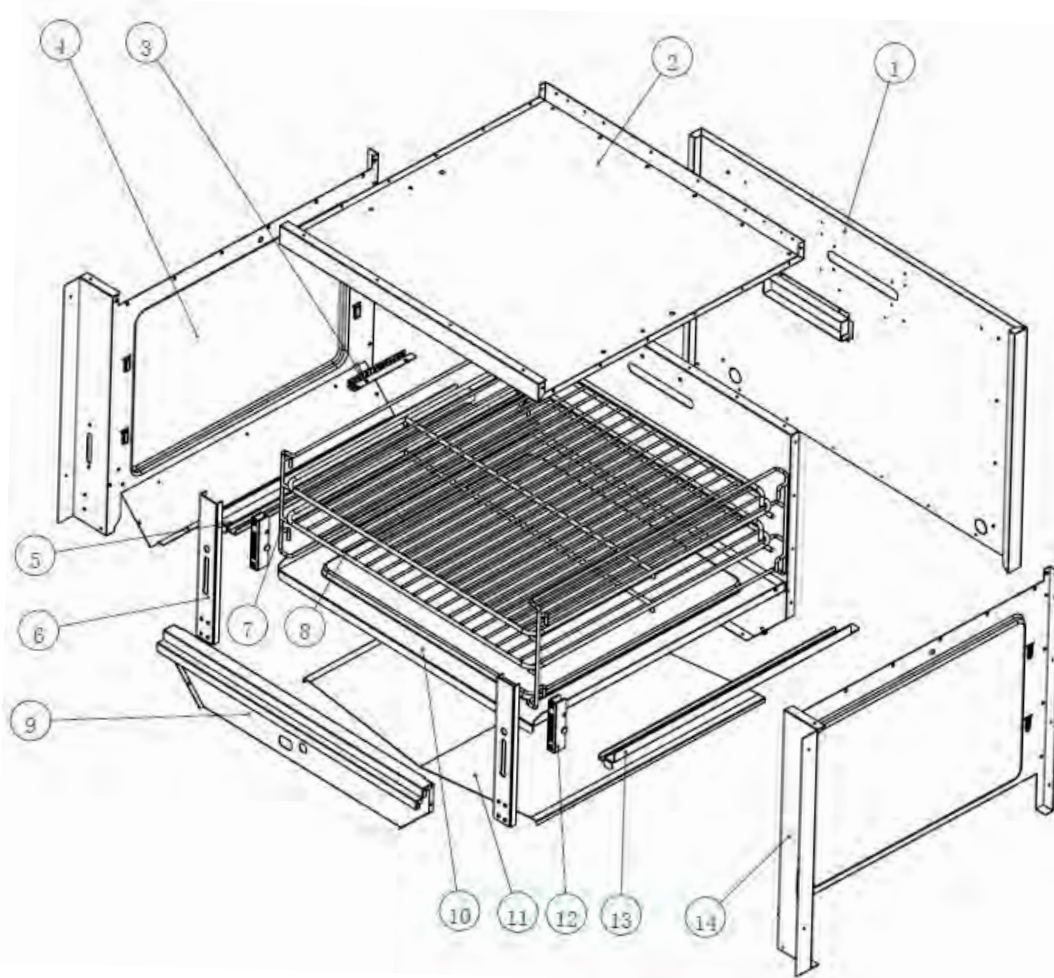
R6 MAIN SECTION

No.	Part #	DESCRIPTION	QTY
1	GR10021	BURNER GRATE	6
2	GR10032	BURNER ASSEMBLY (SHORT)	3
3	GR10031	BURNER ASSEMBLY (LONG)	3
4	GR10166	TOP FRONT PLATE 36"	1*
5	N/A	GAS CONTROL ASSEMBLY	1
6	GR10167	VALVE PANEL 36"	1
7	GR10069	BURNER KNOB - RED	6
7	GR10069K	BURNER KNOB CROME (OPTIONAL)	6
7	GR10069P	BURNER KNOB GREEN (OPTIONAL)	6
8	GR10070-1	OVEN THERMOSTAT DIAL	1
9	GR10122	LEFT SIDE WALL	1
10	GR10026-E	OVEN DOOR ASSEMBLY C/W ENTRÉE LOGO	1
11	GR10091	LOWER FRONT PANEL	1
11	GR10123	HINGE ASSEMBLY, LOWER FRONT PANEL	2
12	GR10009	NOZZLE ELBOW	1
13	GR10082	OVEN ORIFICE FITTING, NATURAL GAS #36	1
13	GR10084	OVEN ORIFICE FITTING, LP GAS #50	1
14	GR10075-21	THERMOCOUPLE	1
15	GR10008	OVEN TUBE BURNER	1
16	GR10003	6" ADJUSTABLE LEG (OPTIONAL)	4
16	GR10085-1	SWIVEL CASTER W/BRAKE (STANDARD)	2
16	GR10086-1	SWIVEL CASTER W/O BRAKE (STANDARD)	2
17	GR10118	RIGHT SIDE PANEL	1
17	GR10156	RIGHT SIDE PANEL STAINLESS STEEL (OPTIONAL)	1
18	GR10075-3	OVEN PILOT & MOUNTING BRACKET, LPG	1
18	GR10096	OVEN PILOT ORIFICE FITTING ONLY LPG (.010)	1
18	GR10075-4	OVEN PILOT & MOUNTING BRACKET, NATURAL	1
18	GR10095	OVEN PILOT ORIFICE FITTING ONLY NAT (0.18)	1
19	N/A	OVEN TANK ASSEMBLY	1
20	GR10024	CRUMB TRAY	1
21	N/A	INNER FLUE ASSEMBLY	1
22	GR10066	SIDE RAIL SUPPORT FOR HIGH SHELF	2
23	GR10804	PILOT TUBING (PILOT)(SHORT BURNER)	3*
24	GR10802	PILOT TUBING (PILOT)(LONG BURNER)	3*
25	GC10003	PILOT	6
26	GR10001	MANIFOLD SUPPORT BRACKET	1*
27	GR0027	HIGH SHELF ASSEMBLY	1

R6 MANIFOLD SECTION

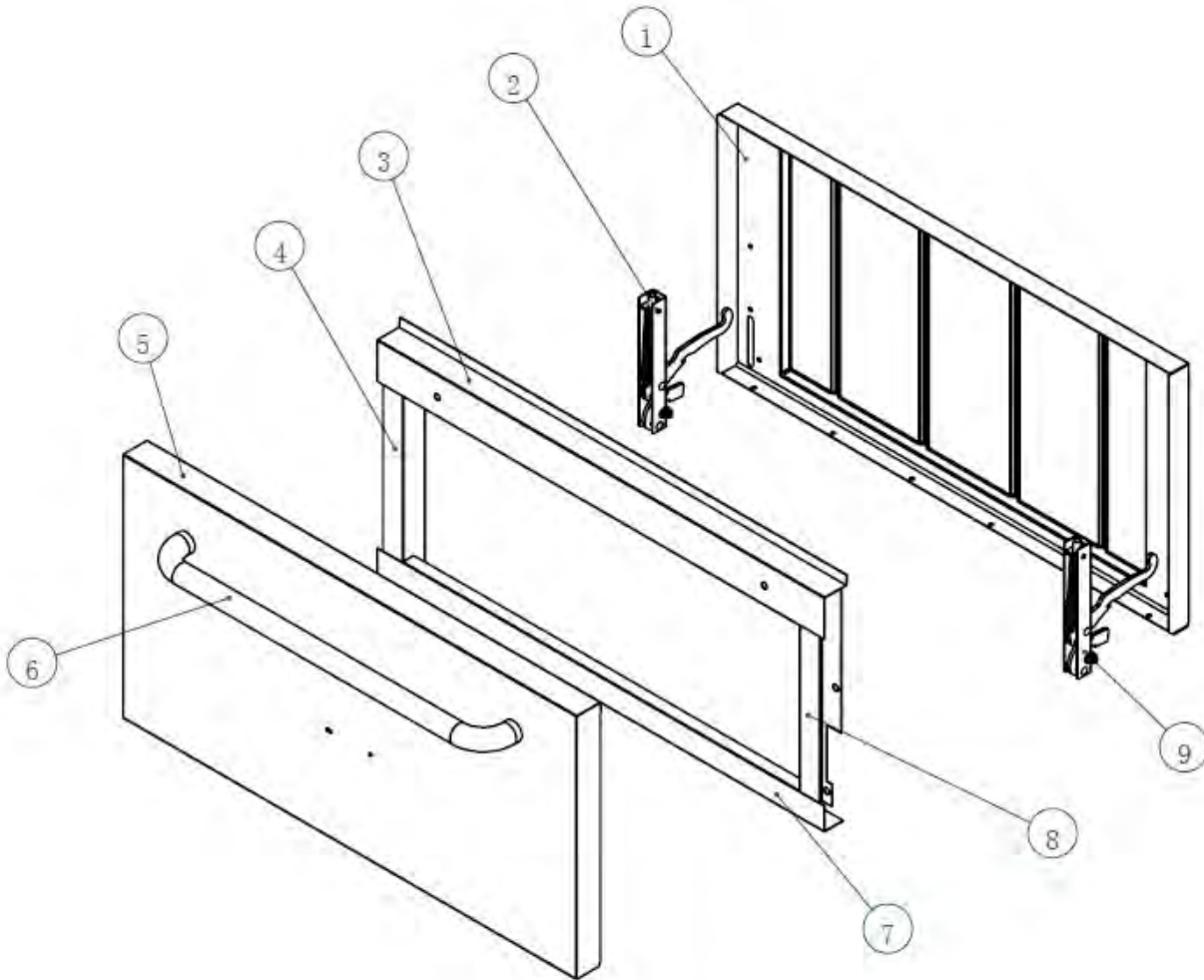


No.	Part #	Description	QTY
1	GR10087	GAS VALVE	6
2	GR10083	BURNER ORIFICE FITTING NATURAL (#36)	6
2	GR10082	BURNER ORIFICE FITTING NATURAL (#36)	6
3	GR18520	GAS OVEN VALVE	1
4	GR10018	PILOT ADJUSTMENT VALVE	3
5	GR10015	1/8" PIPE PLUG	1
6	GR10011	GAS INLET PIPE ASSEMBLY	1*
		* NON- STOCKING ITEM(S)	



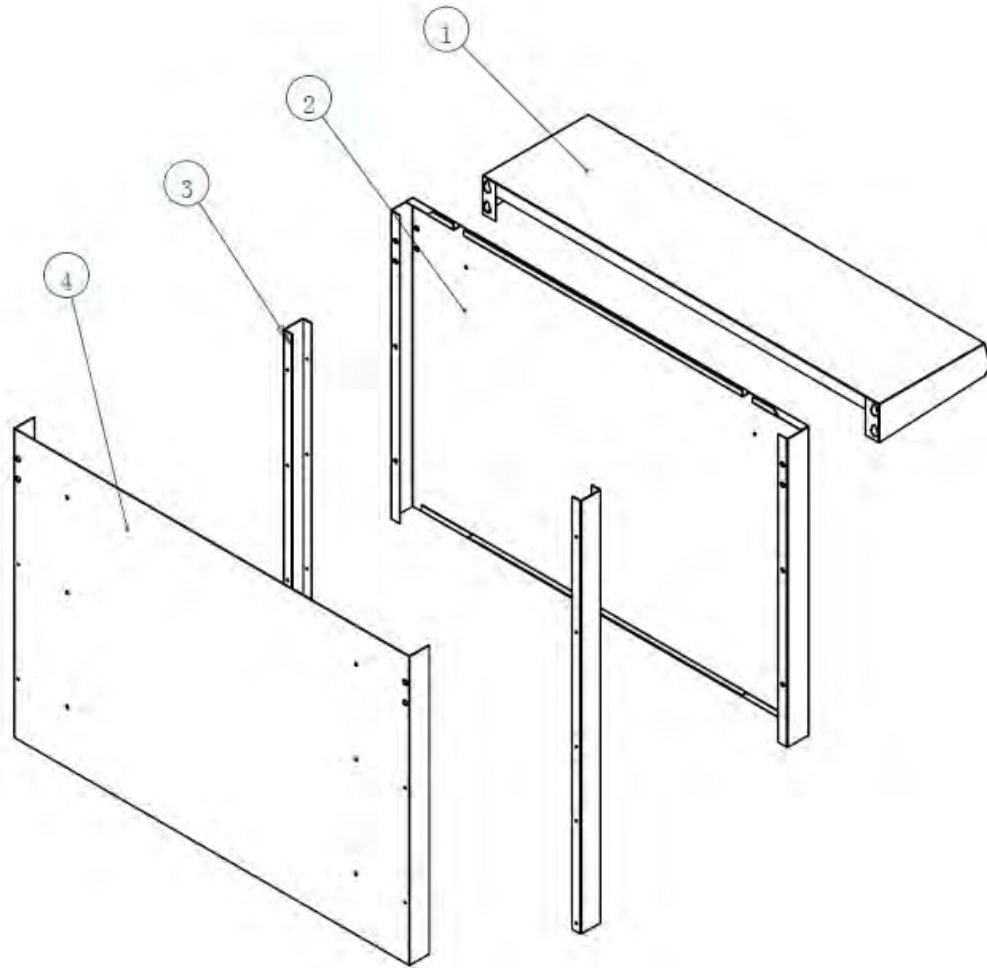
No.	Part #	DESCRIPTION	QTY
1	N/A	REAR SHROUDING ASSEMBLY	1
2	N/A	OVEN TOP PLATE	1
3	N/A	SENSOR FIXED PLATE	1
4	N/A	OVEN LEFT PLATE	1
5	N/A	OVEN BOTTOM LEFT LIMIT PLATE	1
6	N/A	OVEN SIDE REINFORCE PLATE	2
7	GR10005	RACK MOUNTING BRACKET (LT/RT)	2
8	GR10004	OVEN RACK	2
9	N/A	OVEN LOWER FRONT PLATE	1
10	GR10164	OVEN BOTTOM	1
11	GR10165	FIRE PLATE (36" RANGE OVEN)	1
12	GR10014	DOOR HINGE BRACKET	2
13	N/A	OVEN BOTTOM LEFT RIGHT PLATE	1
14	N/A	OVEN RIGHT PLATE	1
N/A - NON-STOCKING PART			

R6 DOOR ASSEMBLY



No.	Part #	DESCRIPTION	QTY
	GR10026-E36	OVEN DOOR ASSEMBLY 36" W/ENTRÉE LOGO (INCLUDES BELOW)	1
1	N/A	DOOR LINER	1
2	GR10012	DOOR HINGE ASSY (LEFT) (USE PRIOR TO DATED CODE 1508)	1
2	GR10012-1	DOOR HINGE ASSY (LEFT) (USE AFTER DATE CODE 1508)	1
3	N/A	OVEN DOOR TOP STIFFENER	1
4	N/A	OVEN DOOR LEFT STIFFENER	1
5	N/A	DOOR PANEL	1
6	NA	DOOR HANDLE	1
7	N/A	OVEN DOOR BOTTOM STIFFENER	1
8	N/A	OVEN DOOR RIGHT STIFFENER	1
9	GR10013	DOOR HINGE ASSY (RIGHT) (USE PRIOR TO DATE CODE 1508)	1
9	GR10013-1	DOOR HINGE ASSY (RIGHT) (USE AFTER DATE CODE 1508)	1
N/A - NON-STOCKING PART			

R6 HIGH SHELF



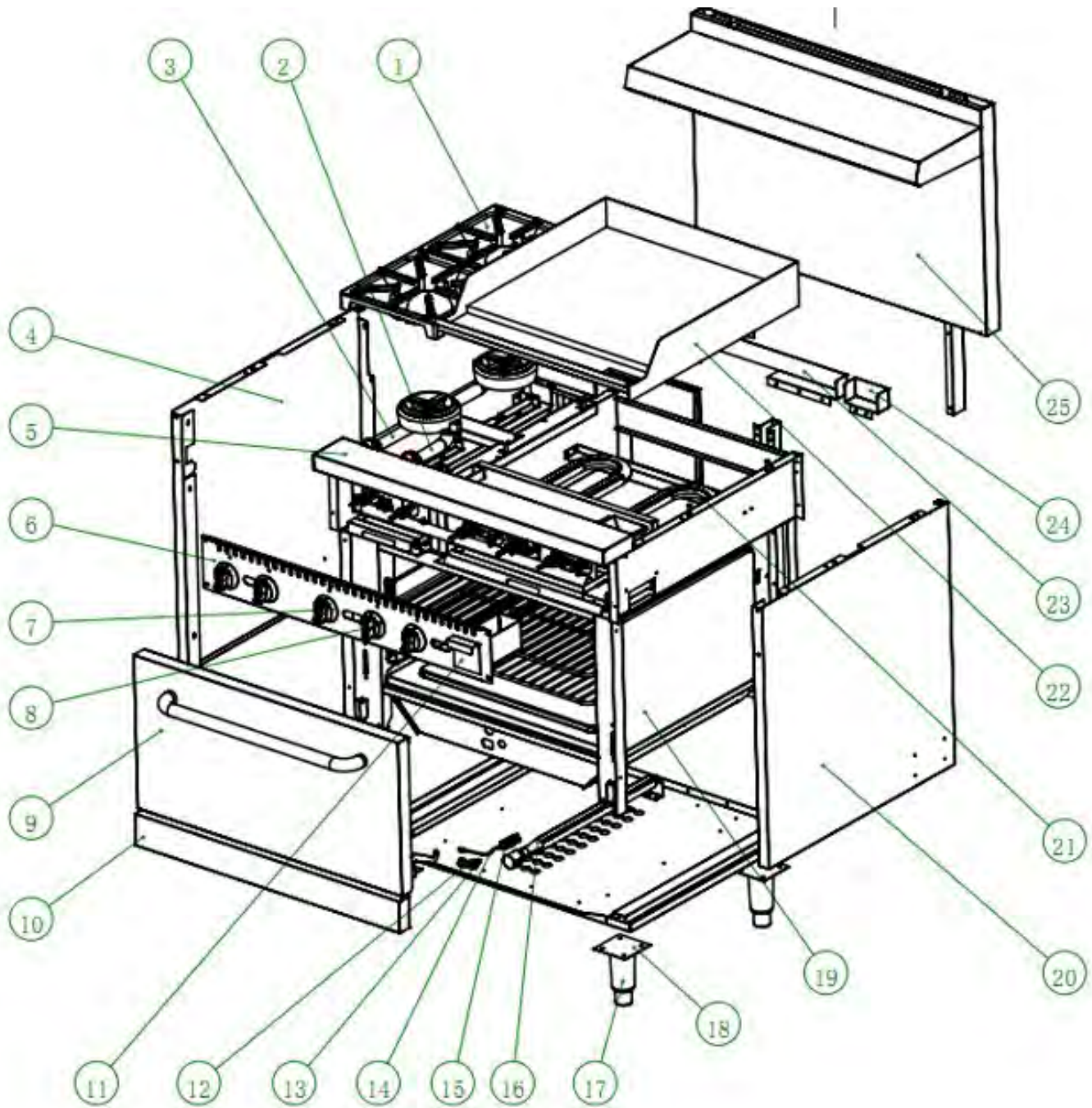
No.	Part #	DESCRIPTION	QTY
	GR10027	HIGH SHELF ASSEMBLY 36"	*
1	GR10065	36" PLATE SHELF	1
2	GR10062	36" FRONT PANEL	1
3	GR10064	SUPPORT BRACKETS	2
4	GR10063	36" REAR PANEL	1

PARTS LIST FOR R6-G24 GAS RANGE



MODEL R6-G24-N & R6-G24-P

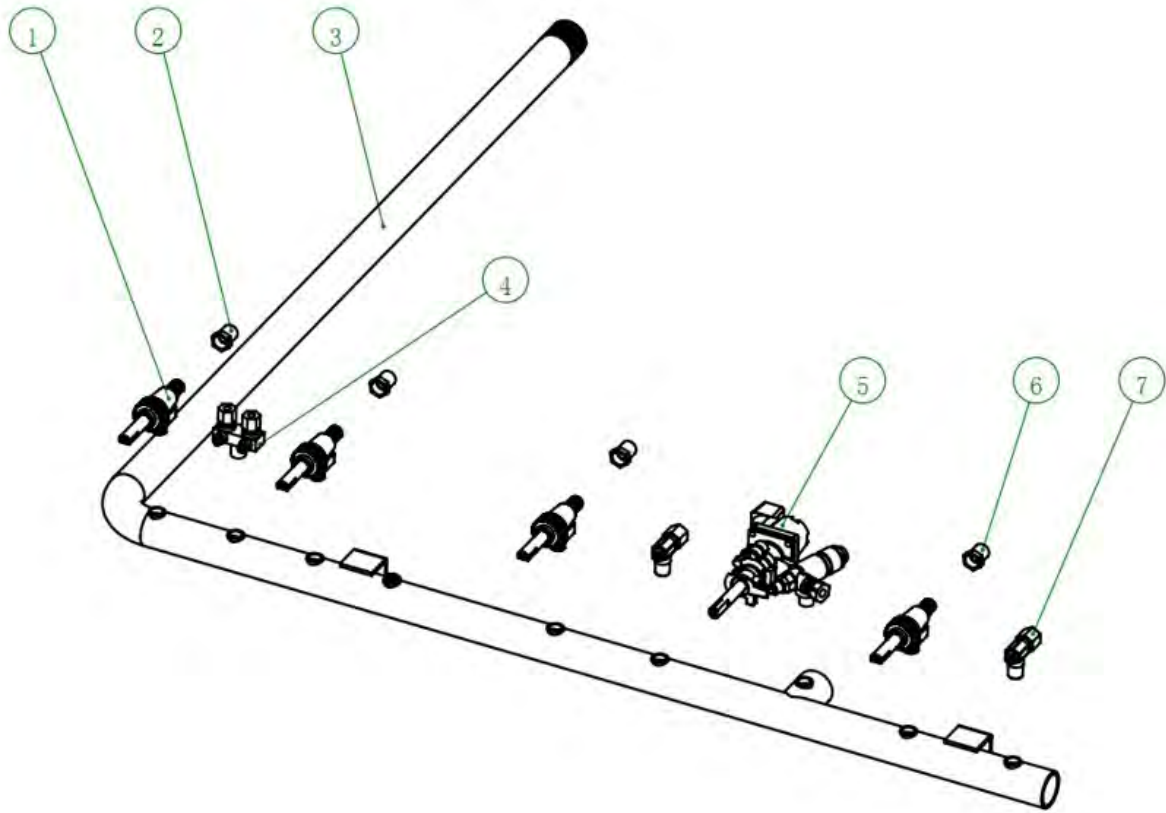
R6-G24 MAIN SECTION



R6-G24 MAIN SECTION

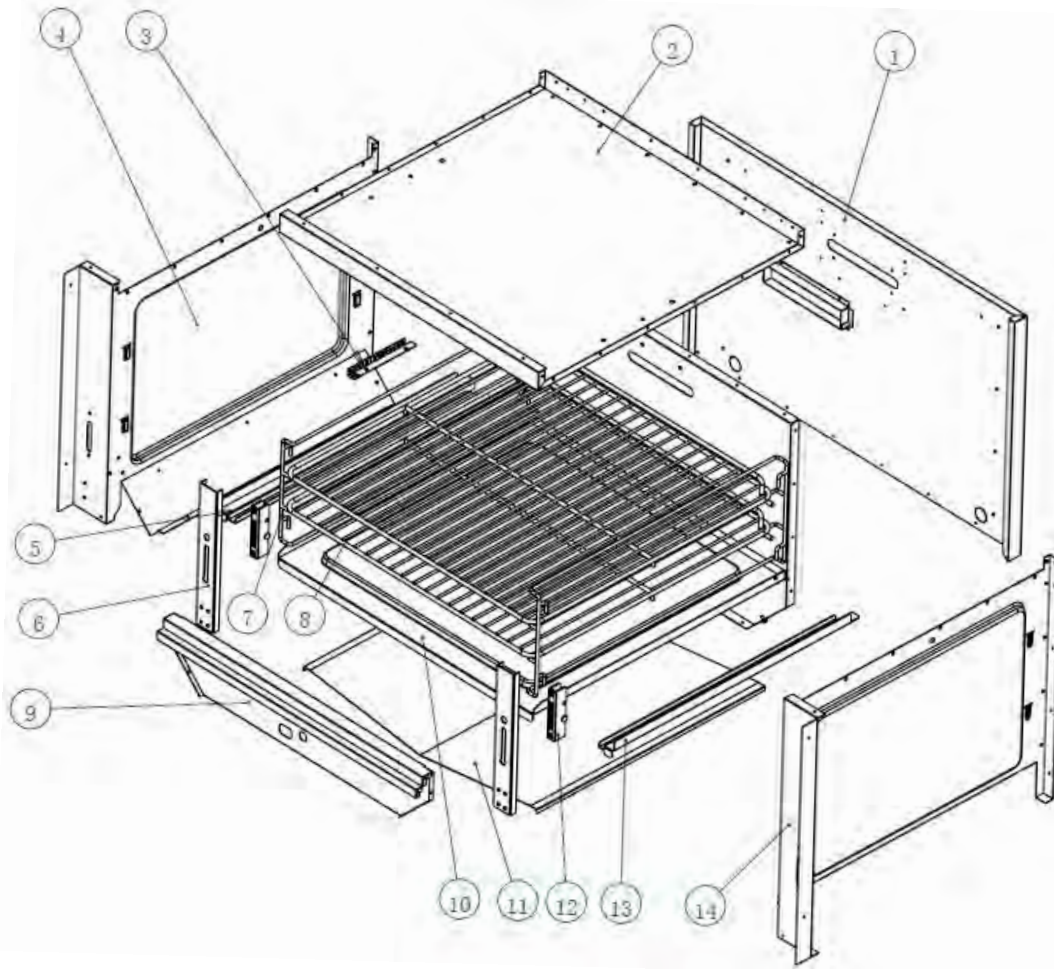
No.	PART #	DESCRIPTION	QTY
1	GR10021	BURNER GRATE	2
2	GR10032	BURNER ASSEMBLY (FRONT/SHORT)	2
3	GR10031	BURNER ASSEMBLY (REAR/LONG)	2
4	GR10122	LEFT SIDE PANEL	1
5	GR10166	TOP FRONT PLATE 36"	1
6	GR10167	FRONT CONTROL PANEL W/GREASE CATCH OPENING	1
7	GR10069	BURNER KNOB - RED	4
8	GR10070-1	OVEN THERMOSTAT KNOB	1
9	GR10026-E36	OVEN DOOR ASSEMBLY 36" W/ENTRÉE LOGO	1
10	GR10091	LOWER FRONT PANEL	1
11	GR10103	GREASE CONTAINER	1
12	GR10009	ORIFICE ELBOW W/LOCKING NUT, COMPRESSION NUT & FERRULE	1
13	GR10082	OVEN BURNER ORIFICE NAT #36	1
13	GR10084	OVEN BURNER ORIFICE LP #50	1
14	GR10075-21	THERMOCOUPLE	1
15	GR10075-4	OVEN PILOT ASSY., NAT	1
15	GR10095	OVEN PILOT ORIFICE - NAT	1*
15	GR10075.6	OVEN PILOT ASSY., LP	1
15	GR10096	OVEN PILOT ORIFICE - LP	1*
16	GR10008	OVEN BURNER	1
17	GR10003.1	6" ADJUSTABLE LEG (OPTIONAL)	4
18	GR10149	LEG MOUNTING PLATE (OPTIONAL)	4*
18	GR10085-1	SWIVEL CASTER W/BRAKE STANDARD (FRONT)	2
18	GR10086-1	SWIVEL CASTER W/O BRAKE STANDARD (REAR)	2
19	N/A	OVEN ASSEMBLY	1
20	GR10118	RIGHT SIDE PANEL	1
21	GC10001	U SHAPED BURNER (GRIDDLE)	2
22	N/A	GRIDDLE PLATE ASSEMBLY	1
23	N/A	GRIDDLE FLUE PALTE (2)	1
24	N/A	GRIDDLE FLUE PALTE (1)	1
25	GR10027	HIGH SHELF ASSEMBLY 36"	1
N/A NON-STOCKING PART			

R6-G24 MANIFOLD SECTION



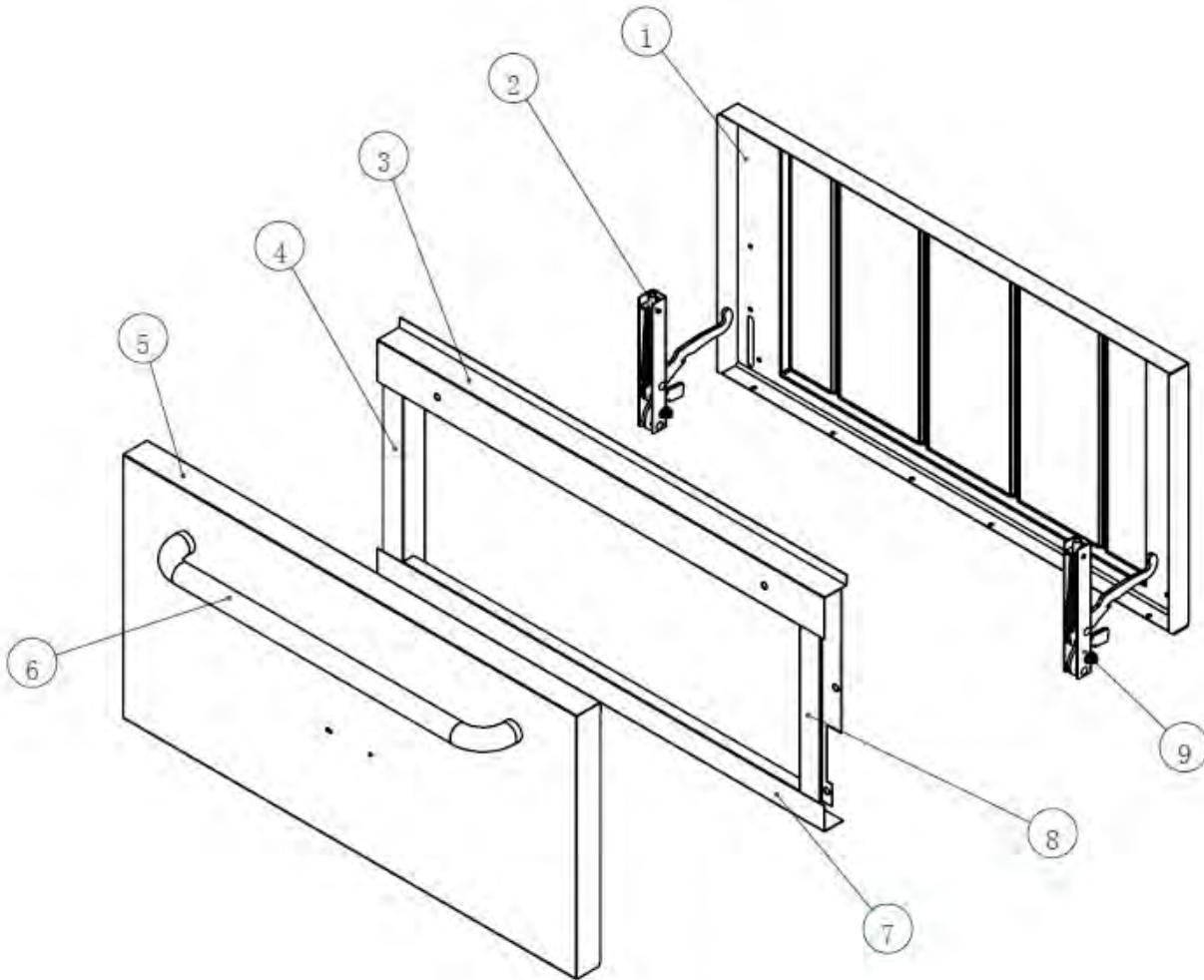
No.	Part #	Description	QTY
1	GR10087	TOP BURNER GAS VALVE	4
2	GR10082	BURNER ORIFICE FITTING, #36 NAT	2
2	GR10083	BURNER ORIFICE FITTING, #51 LPG	2
3	N/A	GAS MANIFOLD PIPE 3/4" NPT	1
4	GR10018	PILOT ADJUSTMENT VALVE DUAL	1
5	GR18520	OVEN THERMOSTAT W/ COMPRESSION FITTINGS	1
6	GR10097	GRIDDLE ORIFICE FITTING, #54, LPG	2
6	GR10098	GRIDDLE ORIFICE FITTING, #44, NAT	2
7	GC10005	PILOT ADJUSTMENT VALVE SINGLE	2

R6-G24 OVEN SECTION



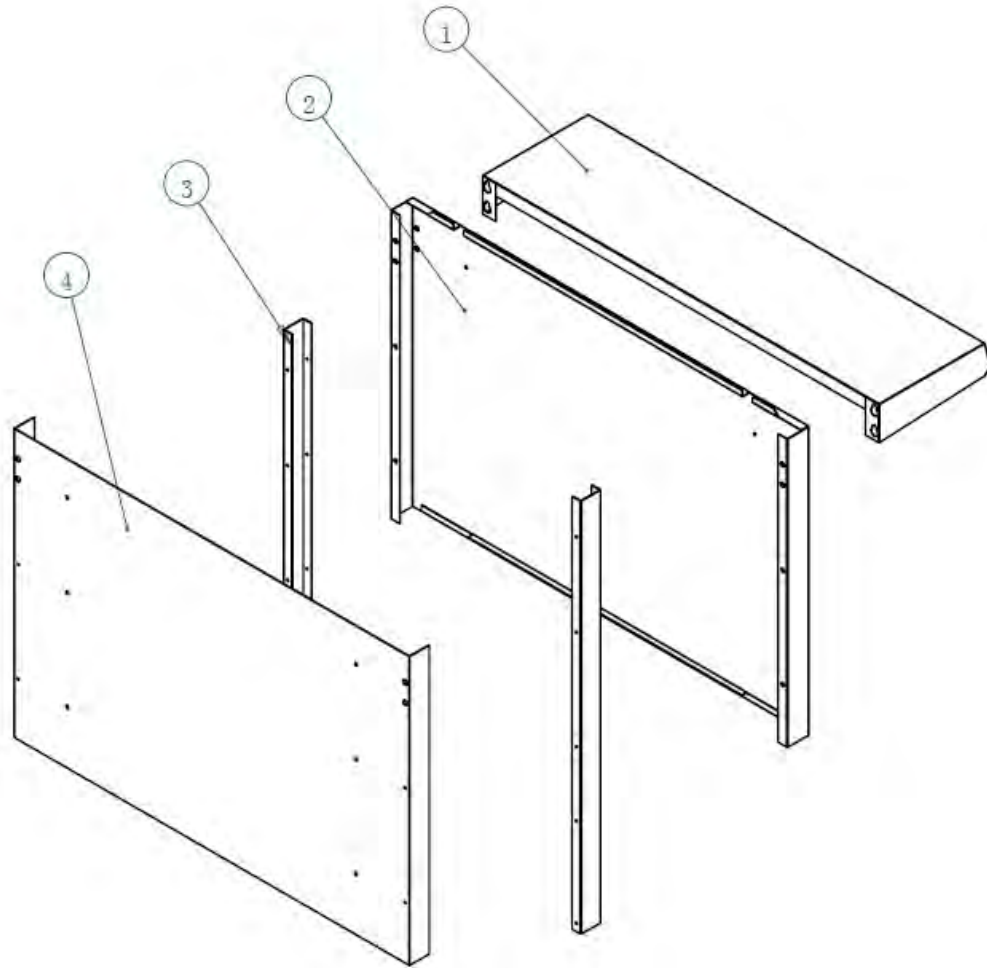
No.	Part #	DESCRIPTION	QTY
1	N/A	REAR SHROUDING ASSEMBLY	1
2	N/A	OVEN TOP PLATE	1
3	N/A	SENSOR MOUNTING BRACKET	1
4	N/A	OVEN LEFT PLATE	1
5	N/A	OVEN BOTTOM LEFT LIMIT PLATE	1
6	N/A	OVEN SIDE REINFORCE PLATE	2
7	GR10005	RACK MOUNTING BRACKET (LT/RT)	2
8	GR10004	OVEN RACK	2
9	N/A	OVEN LOWER FRONT PLATE	1
10	GR10164	OVEN BOTTOM	1
11	GR10165	FIRE PLATE (36" RANGE OVEN)	1
12	GR10014	DOOR HINGE BRACKET	2
13	N/A	OVEN BOTTOM LEFT RIGHT PLATE	1
14	N/A	OVEN RIGHT PLATE	1
N/A - NON-STOCKING PART			

R6 DOOR ASSEMBLY



No.	Part #	DESCRIPTION	QTY
	GR10026-E36	OVEN DOOR ASSEMBLY 36" W/ENTRÉE LOGO (INCLUDES BELOW)	1
1	N/A	DOOR LINER	1
2	GR10012	DOOR HINGE ASSY (LEFT) (USE PRIOR TO DATED CODE 1508)	1
2	GR10012-1	DOOR HINGE ASSY (LEFT) (USE AFTER DATE CODE 1508)	1
3	N/A	OVEN DOOR TOP STIFFENER	1
4	N/A	OVEN DOOR LEFT STIFFENER	1
5	N/A	DOOR PANEL	1
6	NA	DOOR HANDLE	1
7	N/A	OVEN DOOR BOTTOM STIFFENER	1
8	N/A	OVEN DOOR RIGHT STIFFENER	1
9	GR10013	DOOR HINGE ASSY (RIGHT) (USE PRIOR TO DATE CODE 1508)	1
9	GR10013-1	DOOR HINGE ASSY (RIGHT) (USE AFTER DATE CODE 1508)	1
N/A - NON-STOCKING PART			

R6-G24 HIGH SHELF



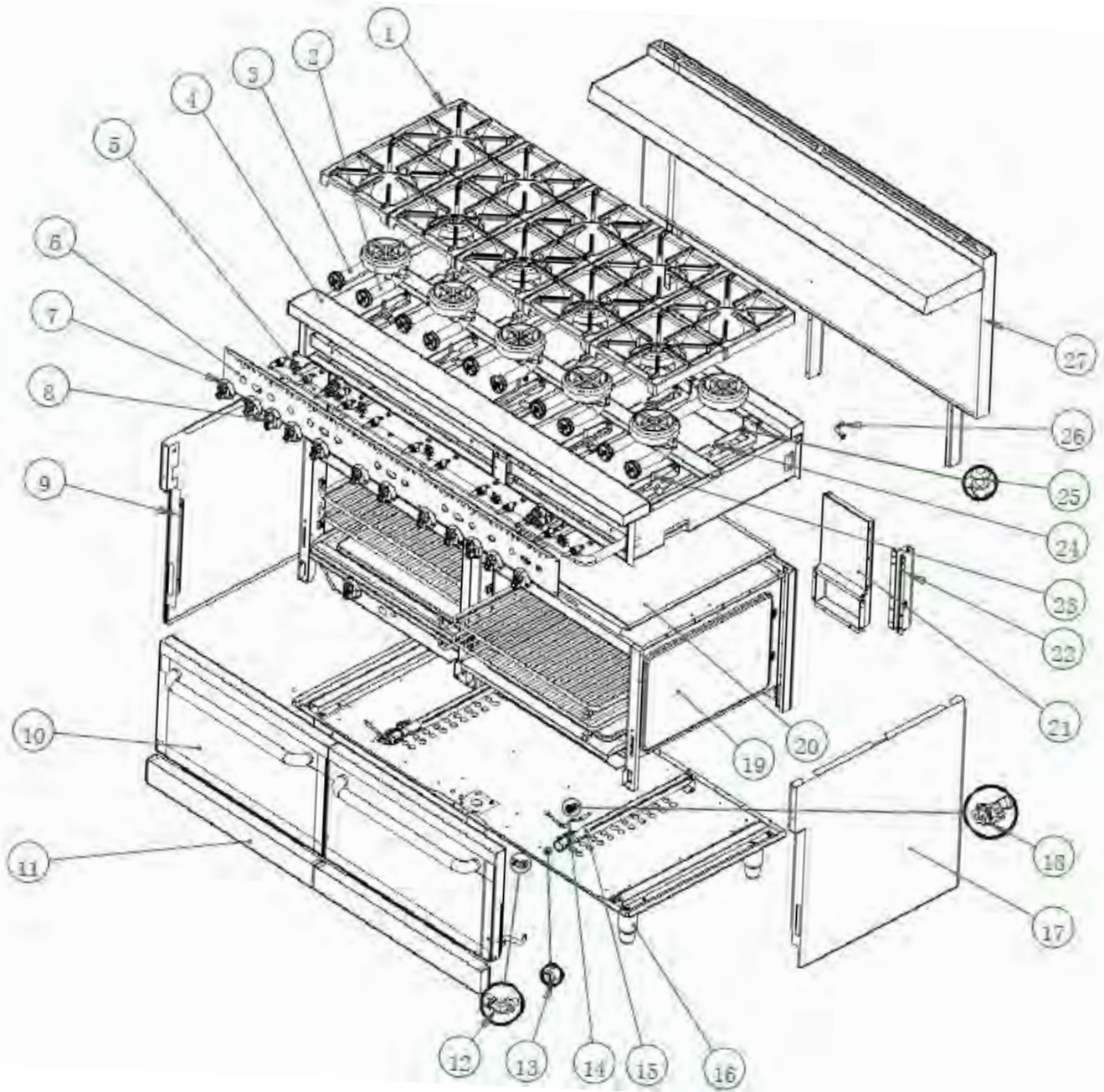
No.	Part #	DESCRIPTION	QTY
	GR10027	HIGH SHELF ASSEMBLY 36"	*
1	GR10065	36" PLATE SHELF	1
2	GR10062	36" FRONT PANEL	1
3	GR10064	SUPPORT BRACKETS	2
4	GR10063	36" REAR PANEL	1

PARTS LIST FOR R10 GAS RANGE



MODEL R10-N & R10-P

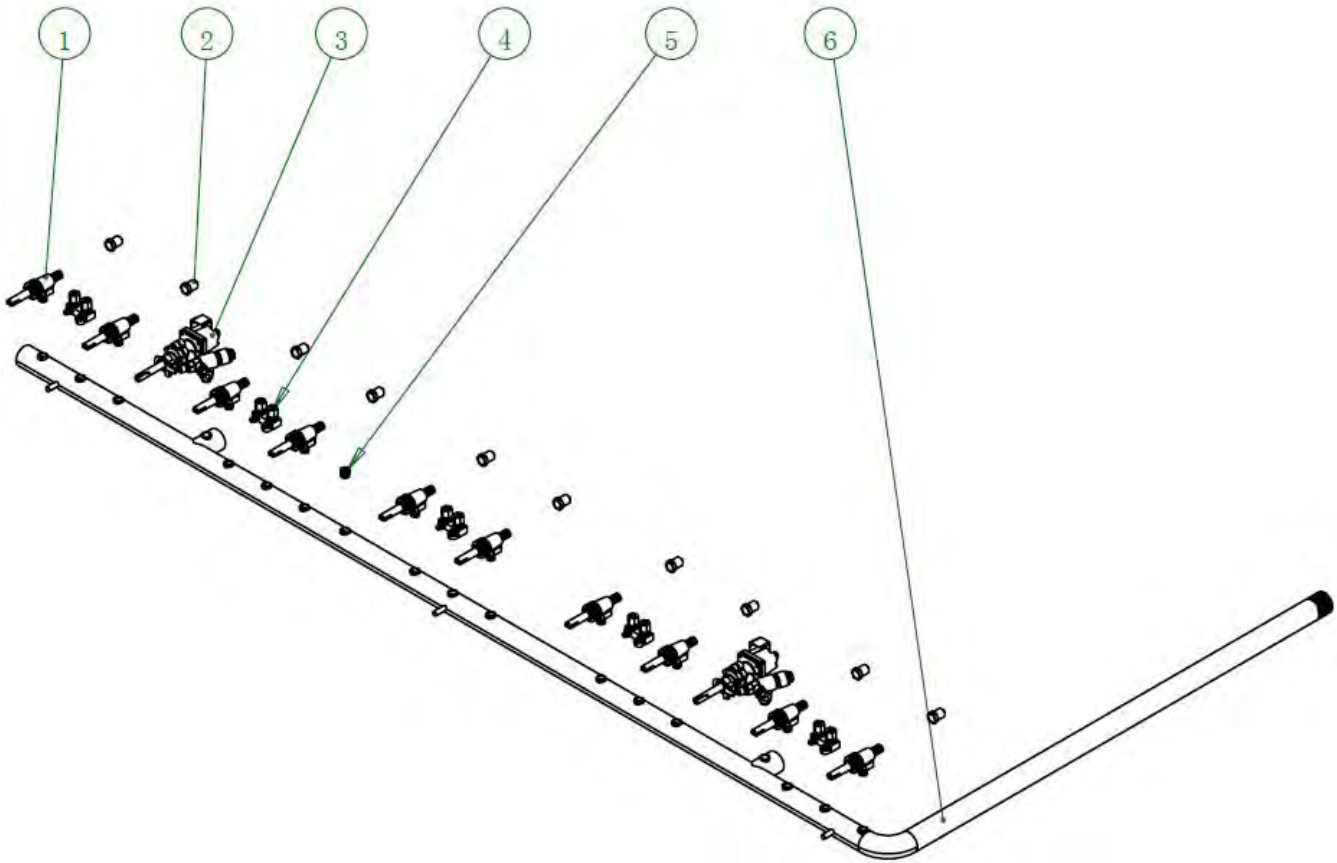
R10 MAIN SECTION



R10 MAIN SECTION

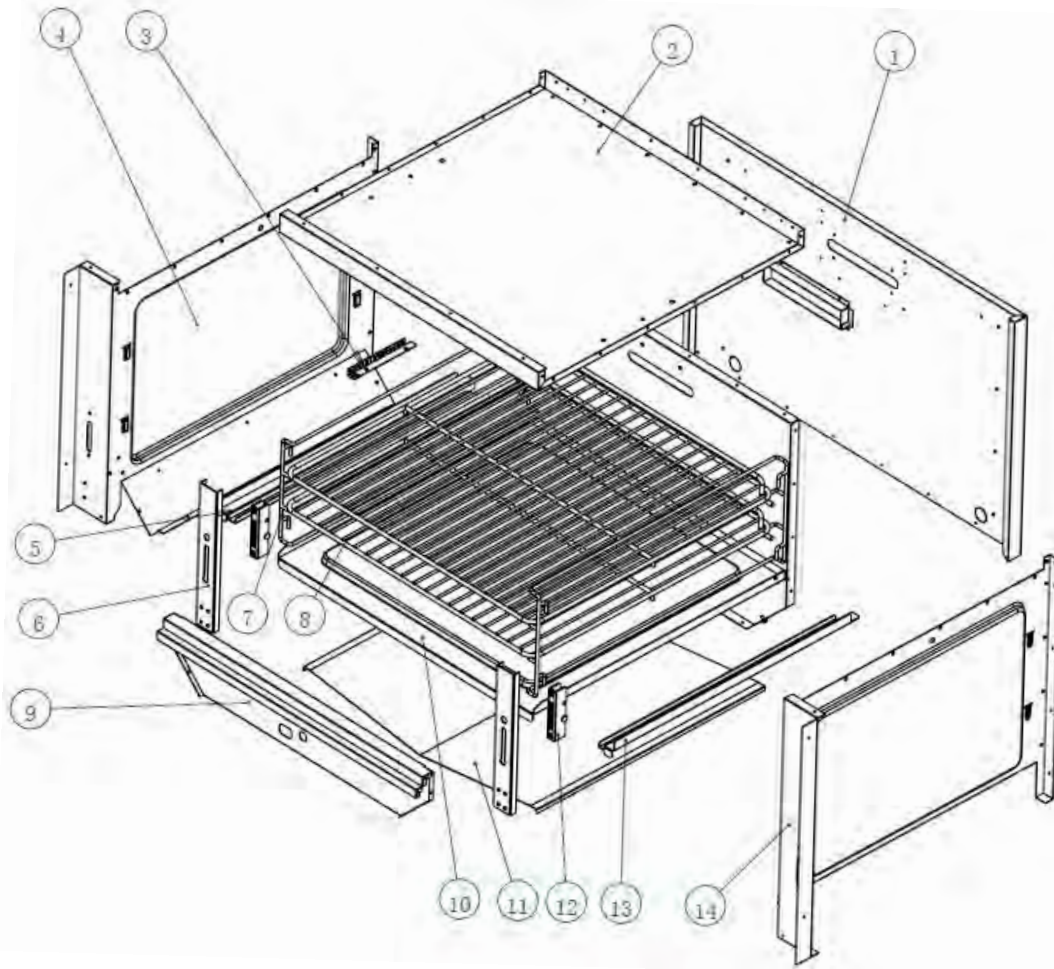
No.	Part \$	Description	QTY
1	GR10021	BURNER GRATE	10
2	GR10032	BURNER ASSEMBLY (FRONT/SHORT)	5
3	GR10031	BURNER ASSEMBLY (REAR/LONG)	5
4	GR10168	TOP FRONT PLATE 60"	1
5	N/A	GAS MANIFOLD 3/4" NPT	1
6	GR10169	VALVE PANEL 60"	1
7	GR10069	BURNER KNOB -RED	10
8	GR10070-1	OVEN THERMOSTAT DIAL	2
9	GR10158	LEFT SIDE PANEL	1
10	GR10026-E	OVEN DOOR ASSEMBLY 60" W/ENTRÉE LOGO	2
11	GR10093	LOWER FRONT PANEL (R10)	2
12	GR10009	ORIFICE ELBOW W/LOCKING NUT, COMPRESSION NUT & FERRULE	2
13	GR10082	OVEN BURNER ORIFICE FITTING #36, NAT	2
13	GR10084	OVEN BURNER ORIFICE FITTING #50, LPG	2
14	GR10075-21	THERMOCOUPLE	2
15	GR10008	OVEN BURNER	2
16	GR10149	LEG MOUNTING PLATE (OPTIONAL)	6
16	GR10003.1	6" ADJUSTABLE LEG (OPTIONAL)	6
16	GR10085-1	SWIVEL CASTER W/BRAKE (FRONT) (STANDARD)	3
16	GR10086-1	SWIVEL CASTER W/O BRAKE (REAR) (STANDARD)	3
17	GR10121	RIGHT SIDE PANEL	1
18	GR10075-4	OVEN PILOT NAT & MOUNTING BRACKET	2
18	GR10095	OVEN PILOT ORIFICE (0.018)	2
18	GR10075-3	OVEN PILOT LPG & MOUNTING BRACKET	2
18	GR10096	OVEN PILOT ORIFICE (0.010)	2
19	N/A	OVEN ASSEMBLY	2
20	GR10094R	CRUMB TRAY RIGHT	1
20	GR10094L	CRUMB TRAY LEFT	
21	GR10028	INNER FLUE ASSEMBLY	2
22	GR10066	SLIDE RAIL SUPPORT FOR HIGH SHELF	2
23	GR10801	PILOT TUBING (FRONT BURNER)	5
24	GR10802	PILOT TUBING (REAR BURNER)	5
25	GC1003	PILOT	10
26	GR10001	MANIFOLD SUPPORT BRACKET	1
27	GR10079	HIGH SHELF ASSEMBLY 60"	1

R10 MANIFOLD SECTION



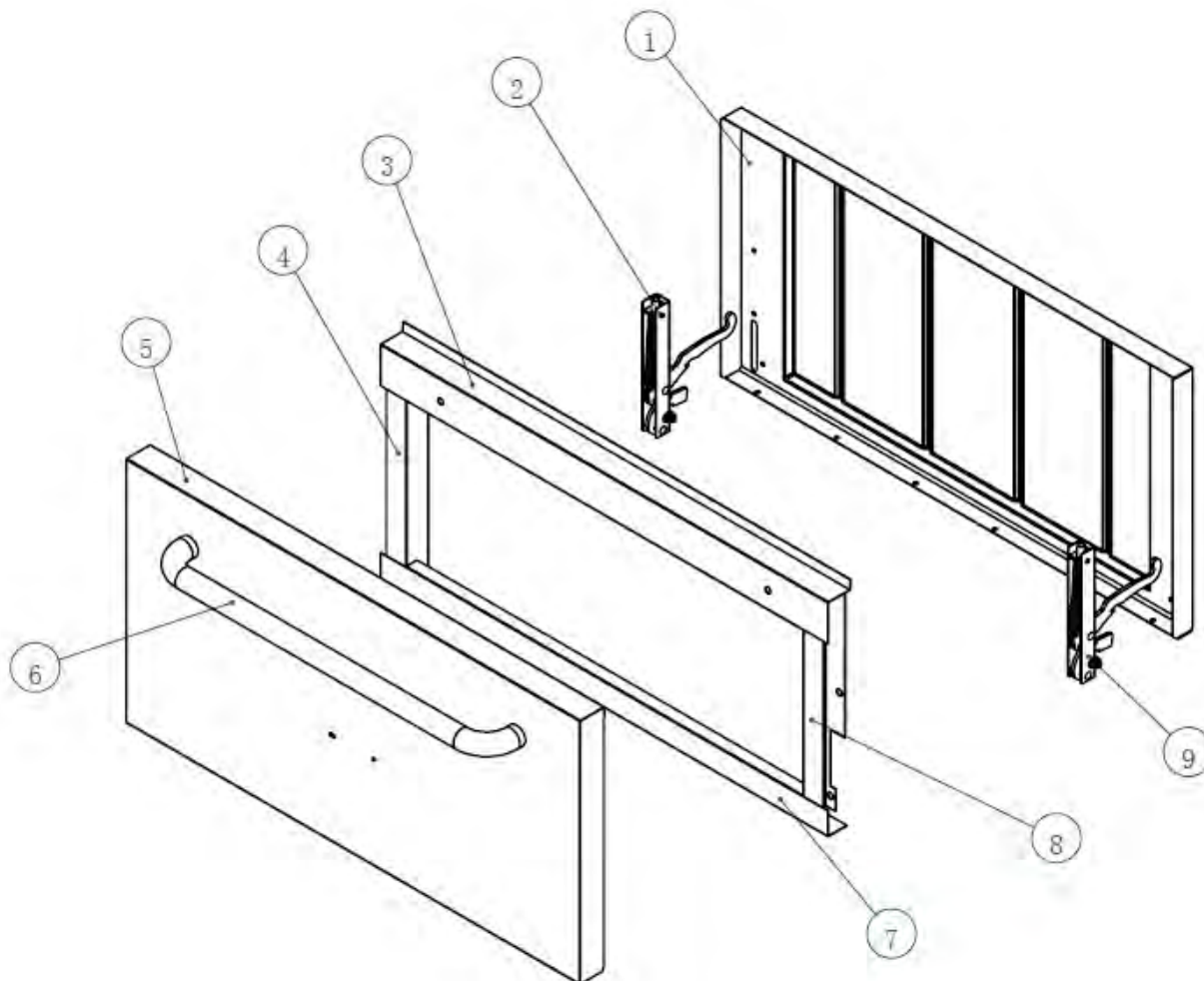
No.	Part #	Description	QTY
1	GR10087	TOP BURNER GAS VALVE	10
2	GR10082	BURNER ORIFICE FITTING, #36, NAT	10
2	GR10083	BURNER OFIFICE FITTING, #51, LPG	10
3	GR18520	OVEN THERMOSTAT/SAFETY VALVE	2
4	GR10018	PILOT VALVE DUAL	5
5	GR10015	1/8" PIPE PLUG	1
6	N/A	MANIFOLD PIPE	1
NOT SHOWN	GC10015	APPLIANCE PRESSURE REGULATOR 3/4" NPT NAT OR LP	1

R10 OVEN SECTION



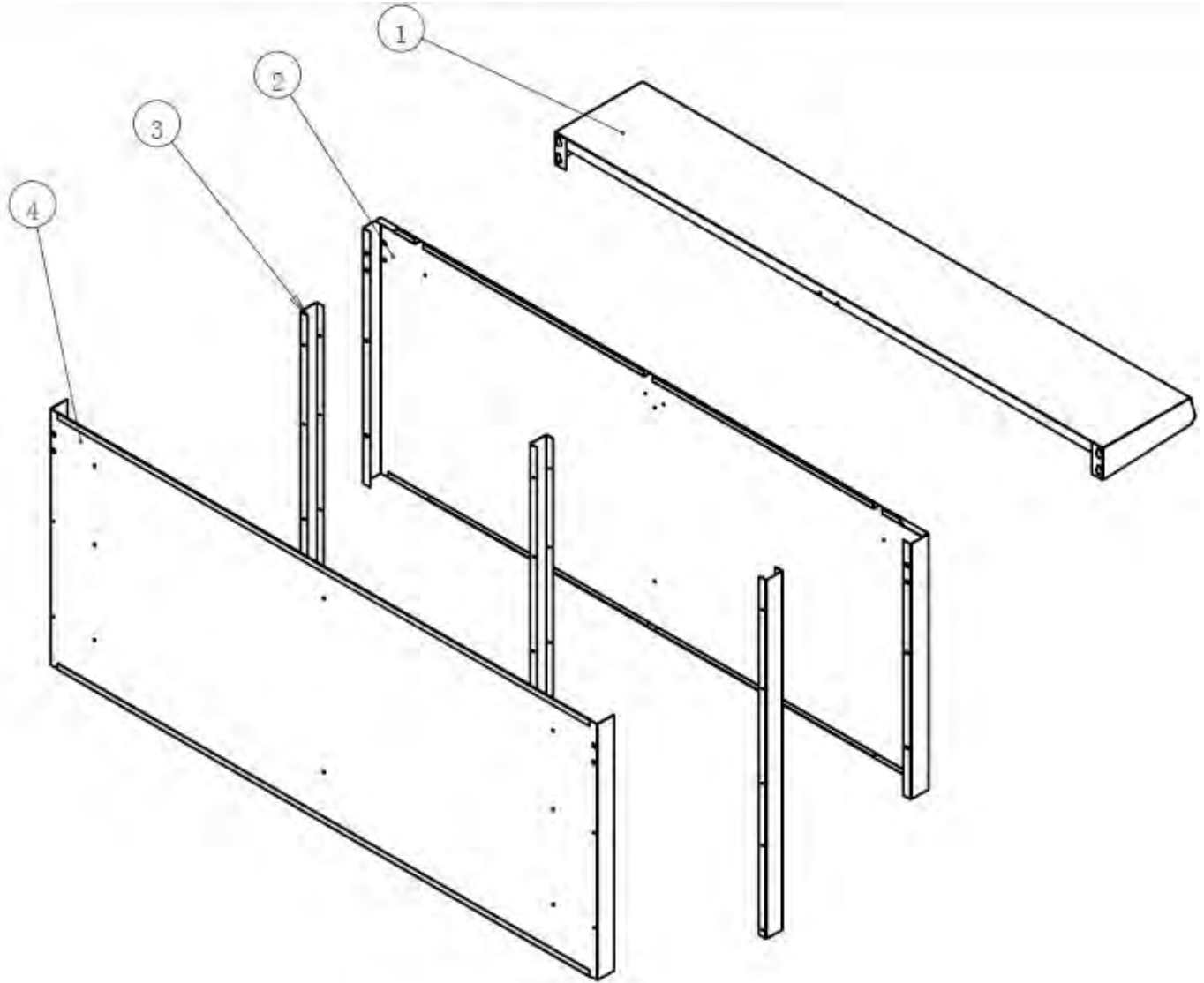
No.	Part #	DESCRIPTION	QTY
1	N/A	REAR SHROUDING ASSEMBLY	2
2	N/A	OVEN TOP PLATE	2
3	N/A	SENSOR MOUNTING BRACKET	2
4	N/A	OVEN LEFT PLATE	2
5	N/A	OVEN BOTTOM LEFT LIMIT PLATE	2
6	N/A	OVEN SIDE REINFORCE PLATE	4
7	GR10005	RACK MOUNTING BRACKET (LT/RT)	4
8	GR10004	OVEN RACK	4
9	N/A	OVEN LOWER FRONT PLATE	2
10	GR10164	OVEN BOTTOM	2
11	GR10165	FIRE PLATE (36" RANGE OVEN)	2
12	GR10014	DOOR HINGE BRACKET	4
13	N/A	OVEN BOTTOM LEFT RIGHT PLATE	2
14	N/A	OVEN RIGHT PLATE	2
N/A - NON-STOCKING PART			

R10 DOOR ASSEMBLY



No.	Part #	DESCRIPTION	QTY
	GR10026-E	OVEN DOOR ASSEMBLY 60" W/ENTRÉE LOGO (INCLUDES BELOW)	1
1	GR10057	DOOR LINER	1*
2	GR10012	DOOR HINGE ASSY (LEFT) (USE PRIOR TO DATED CODE 1508)	1
2	GR10012-1	DOOR HINGE ASSY (LEFT) (USE AFTER DATE CODE 1508)	1
3	GR10060	OVEN DOOR TOP STIFFENER	1*
4	GR10061	OVEN DOOR LEFT STIFFENER	1*
5	N/A	DOOR PANEL	1*
6	GR10002	DOOR HANDLE	1*
7	GR10059	OVEN DOOR BOTTOM STIFFENER	1*
8	N/A	OVEN DOOR RIGHT STIFFENER	1*
9	GR10013	DOOR HINGE ASSY (RIGHT) (USE PRIOR TO DATE CODE 1508)	1
9	GR10013-1	DOOR HINGE ASSY (RIGHT) (USE AFTER DATE CODE 1508)	1
* & N/A - NON-STOCKING PART			

R10 HIGH SHELF ASSEMBLY



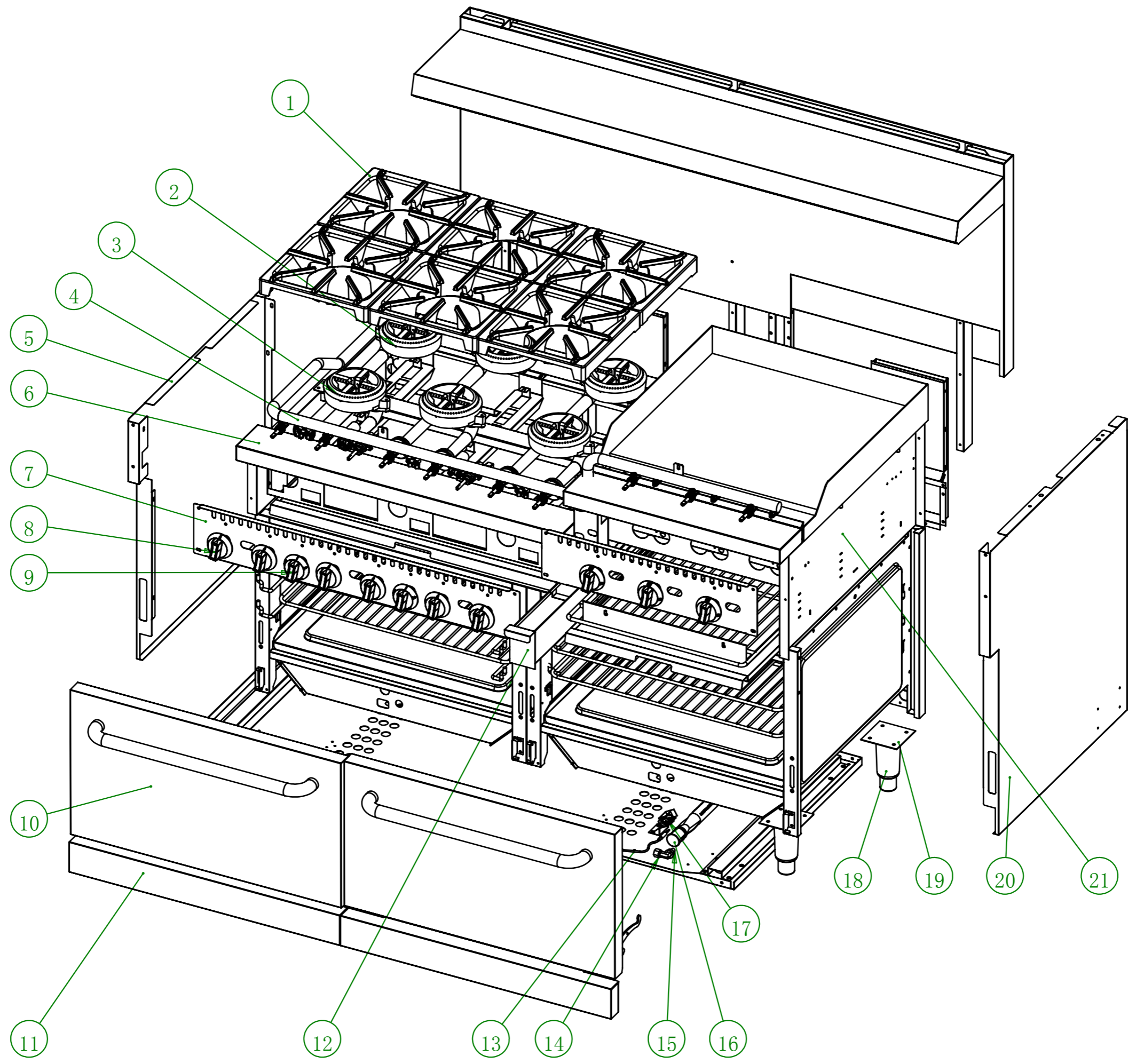
No.	Part #	Description	QTY
*	GR10079	HIGH SHELF ASSEMBLY 60"	1
1	GR10077	PLATE SHELF	1
2	GR10111	60" HIGH SHELF FRONT PANEL R10	1
3	GR10064	BRACKET - HIGH SHELF	3
4	GR10109	60" HIGH SHELF BACK PANEL	1



**PARTS LIST
FOR GAS RANGE
WITH RAISED GRIDDLE BROILER**

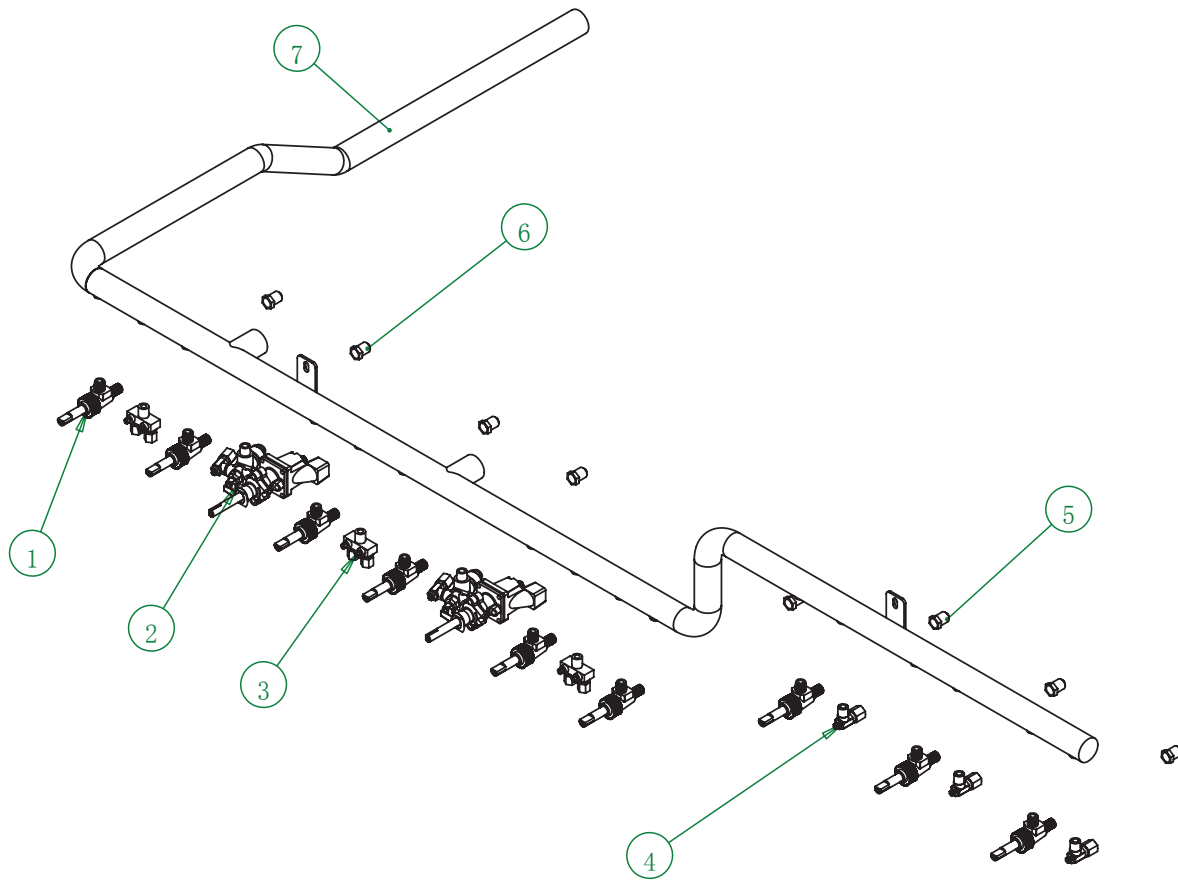


MODEL R10-RGB24



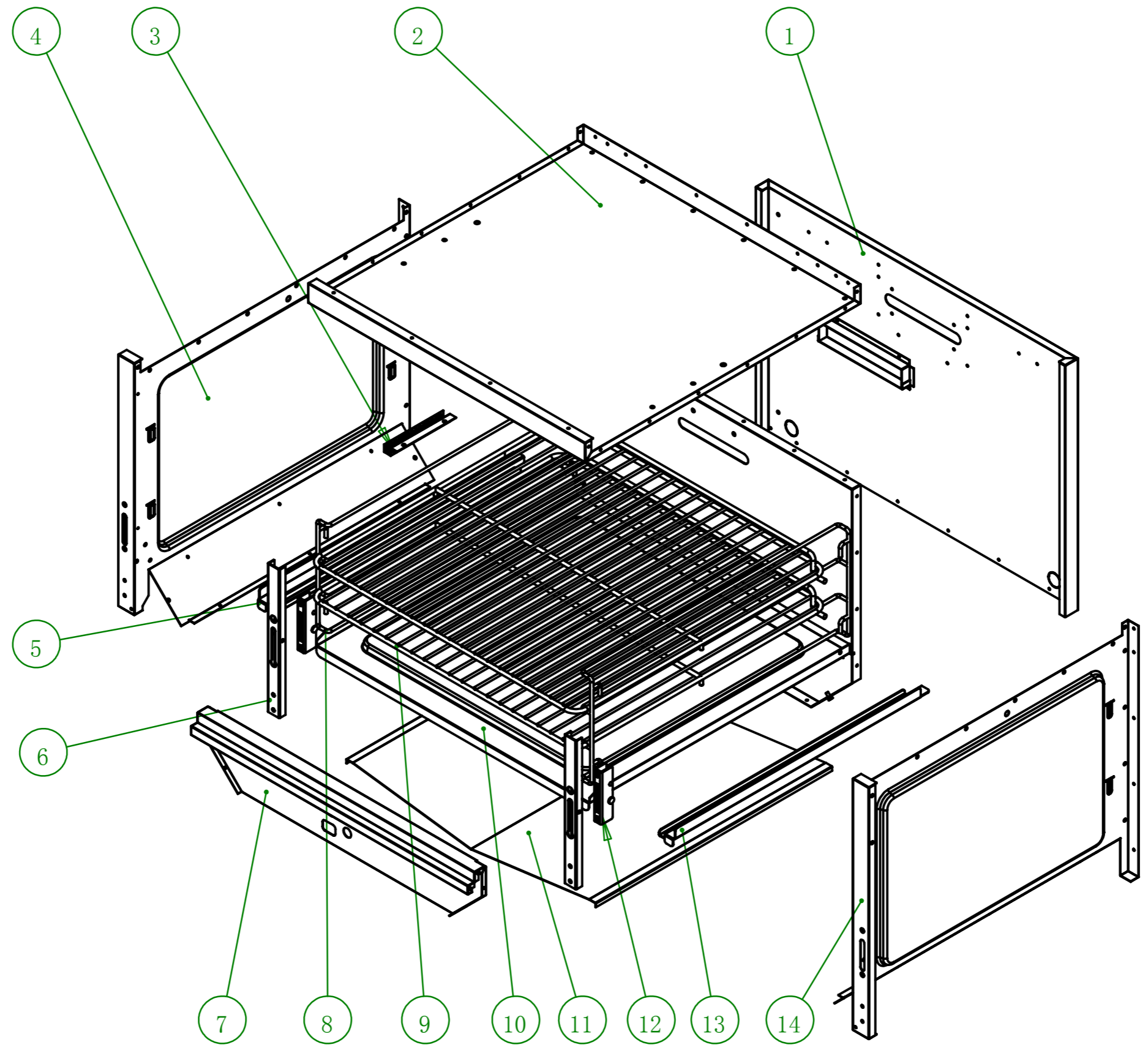
**GAS RANGE WITH RAISED GRIDDLE/BROILER
(MAIN)**

REF #	PART #	DESCRIPTION	QTY
1	GR10021	BURNER GRATE	6
2	GR10031	BURNER ASSEMBLY (SHORT)	3
3	GR10032	BURNER ASSEMBLY (LONG)	3
4	N/A	MANIFOLD PIPE	1
5	GR10158	LEFT BODY SIDE	1
6	GR10336	FRONT RAIL (36")	1
7	GR10119	VALVE PANEL 36" RGB	1
8	GR10069	BURNER KNOB	9
9	GR10070-1	OVEN KNOB	2
10	N/A	DOOR PANEL	2
11	GR10093	LOWER FRONT PANEL	2
12	GR10124	GREASE CONTAINER	1
13	GR10075-2	Robertshaw THERMOCOUPLE	2
14	GR10009	ORIFICE ELBOW W/LOCKING NUT, COMPRESSOION NUT & FERRULE	2
15	GR10082	OVEN ORIFICE #36	2
15	GR10084	OVEN ORIFICE #50	2
16	GR10008	OVEN BURNER	2
17	GR10075-3	OVEN PILOT LP & MOUNTING BRACKET	2
	GR10096	OVEN PILOT ORIFICE LP (.010)	
17	GR10075-3	OVEN PILOT NAT & MOUNTING BRACKET	2
	GR10095	OVEN PILOT ORIFICE NAT (.018)	
18	400147	6" ADJUSTABLE LEG (PLATE MOUNT)	6
18.1	GR10085-1	CASTER W/BRAKE PLATE MOUNT (START SERIAL #2110)	3
18.2	GR10086-1	CASTER W/O BRAKE PLATE MOUNT (START SERIAL #2110)	3
20	GR10121	RIGHT BODY SIDE	1
21	N/A	BROILER INNER SIDE WALL	1



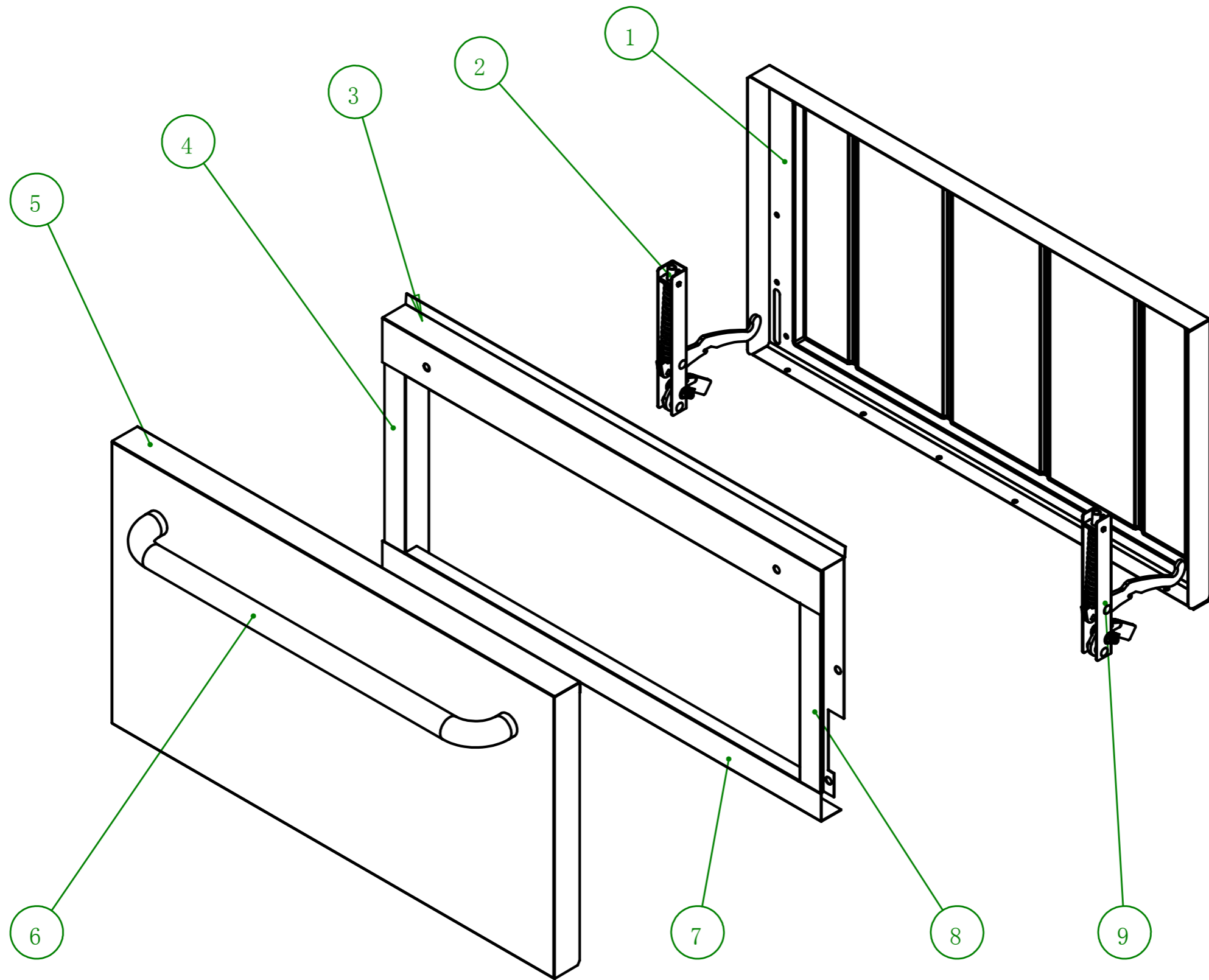
RGB MANIFOLD SECTION

REF#	PART #	DESCRIPTION	QTY
1	GR10087	GAS VALVE	9
2	GR18520	OVEN THERMOSTAT/SAFETY VALVE	2
3	GR10018	PILOT ADJUSTMENT VALVE	3
4	GC10005	PILOT ADJUSTMENT VALVE	3
5	GR10083	BROILER BURNER ORIFICE NAT #51	3
5	GR10102	BROILER BURNER ORIFICE LP #59	3
6	GR10083	BURNER ORIFICE #51	6
6	GR10082	BURNER ORIFICE #36	6



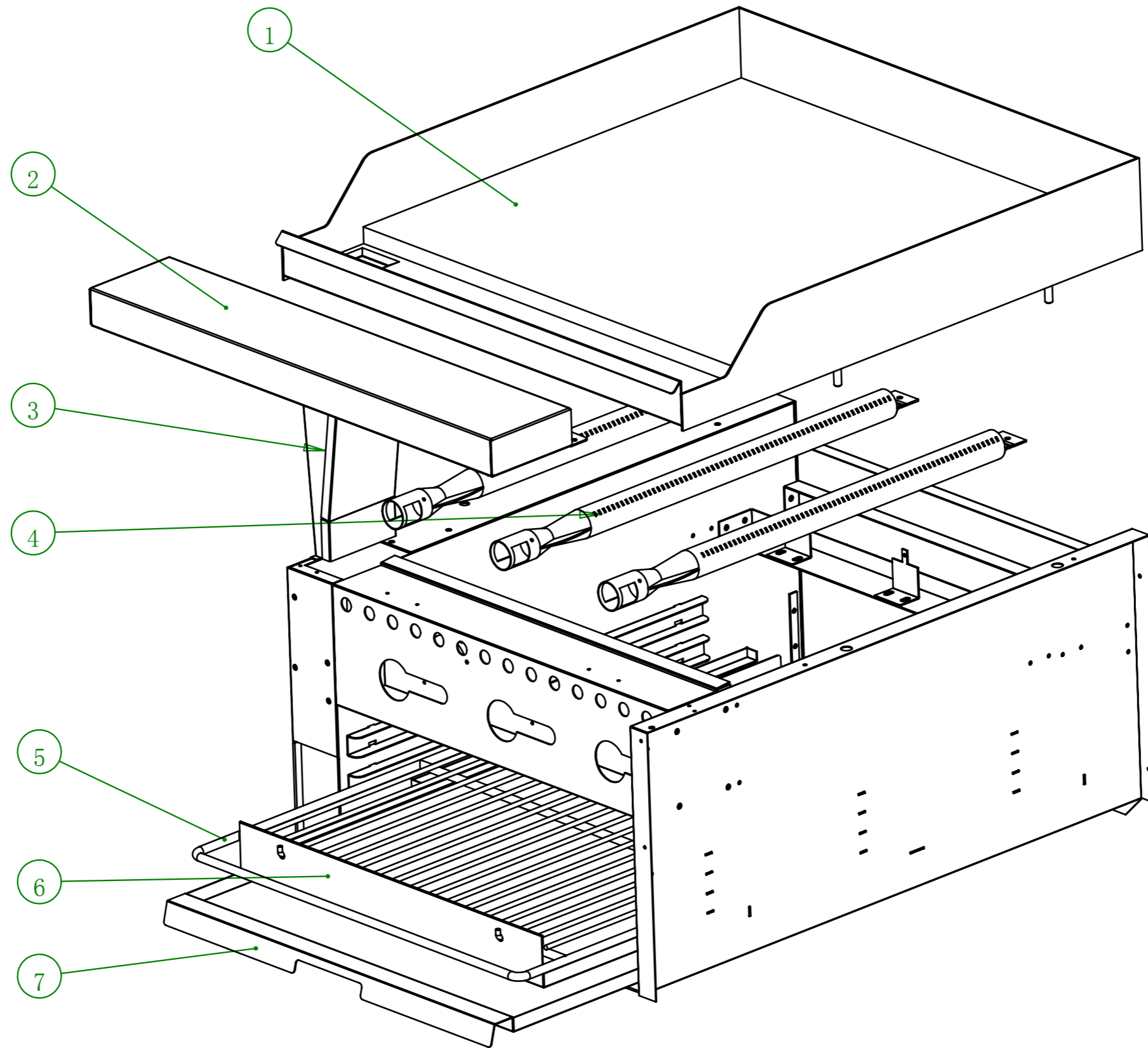
RGB OVEN SECTION

REF#	PART #	DESCRIPTION	QTY
1	N/A	REAR SHROUDING ASSEMBLY	1
2	N/A	OVEN TANK TOP PLATE	1
3	GR10049	THERMOSTAT BULB HOLDER	1
4	N/A	OVEN TANK LEFT PLATE	1
5	N/A	OVEN TANK BOTTOM LEFT LIMIT PLATE	1
6	N/A	OVEN TANK SIDE REINFORCE PLATE	2
7	N/A	OVEN TANK F LOWER FRONT PLATE	1
8	GR10005	RACK GUIDE	2
9	GR10004	OVEN RACK	2
10	GR10164	OVEN BOTTOM	1
11	GR10165	FIRE PLATE	1
12	GR10014	DOOR HINGE BRACKET	2
13	N/A	OVEN TANK BOTTOM LEFT RIGHT PLATE	1
14	N/A	OVEN TANK RIGHT PLATE	1



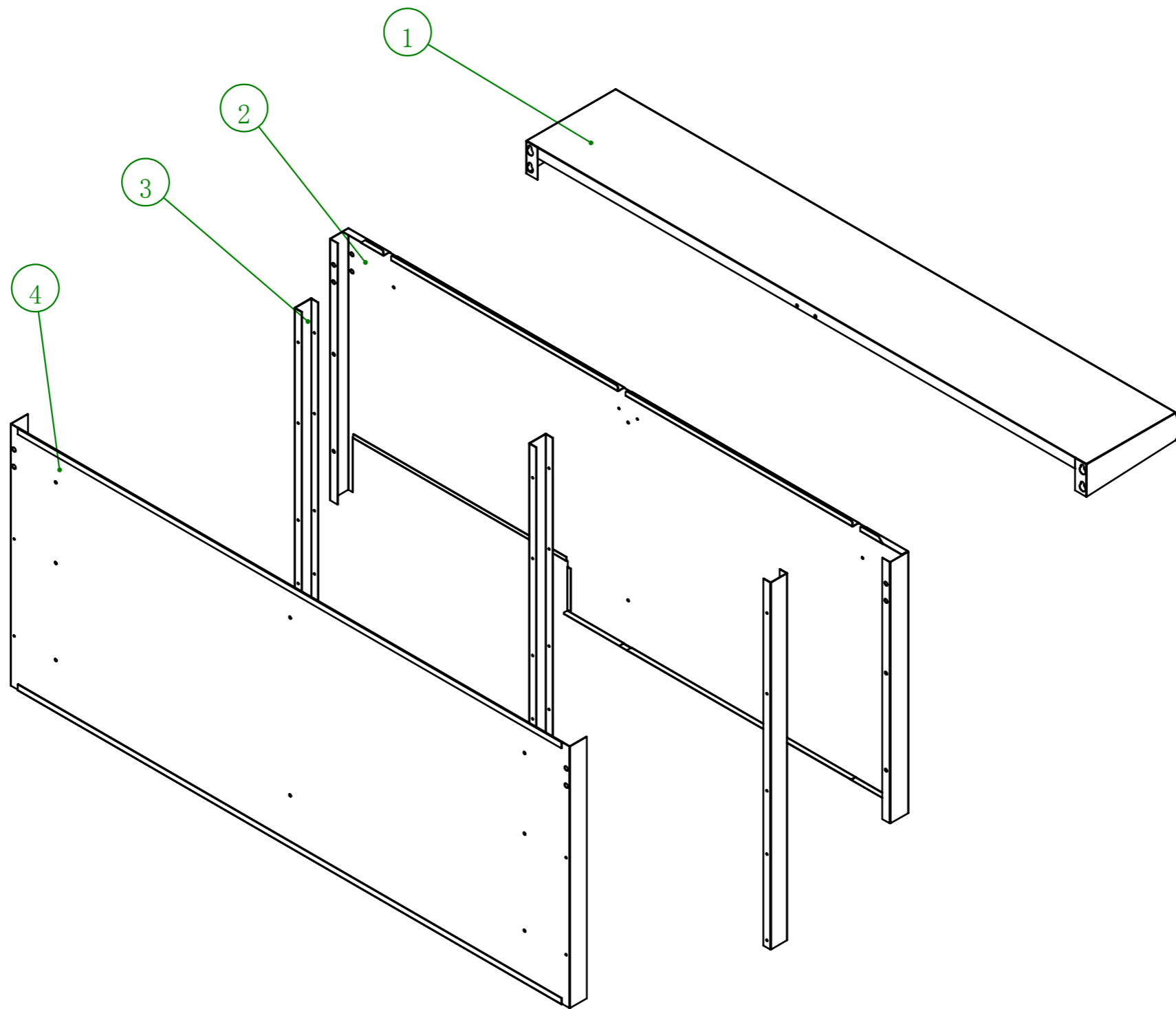
RGB DOOR ASSEMBLY

REF#	PART#	DESCRIPTION
1	N/A	DOOR INNER PLATE
2	GR10012-1	DOOR HINGE LEFT (AFTER DATE CODE 1508)
	GR10012	DOOR HINGE LEFT (PRIOR TO DATED CODE 1508)
3	N/A	OVEN DOOR TOP REINFORCE
4	N/A	OVEN DOOR LEFT REINFORCE
5	N/A	DOOR OUTSIDE PLATE
6	GR10002	DOOR HANDLE (STANDARD OVEN)
7	N/A	OVEN DOOR BOTTOM REINFORCE
8	N/A	OVEN DOOR RIGHT REINFORCE
9	GR10013-1	DOOR HINGE RIGHT (AFTER DATE CODE 1508)
	GR10013	DOOR HINGE RIGHT (PRIOR TO DATE CODE 1508)



RGB GRIDDLE SECTION

REF#	PART #	DESCRIPTION	QTY
1	NON-STOCKING	GRIDDLE PLATE ASSEMBLY	1
2	GR10324B	FRONT RAIL (24" RGB)	1
3	GR10115	GREASE CHUTE (RGB)	1
4	GR10008	BURNER	3
5	GR10100	BROILER RACK (RGB)	1
6	GR10106	BROILER RACK DRIP SHIELD (RGB)	1
7	GR10080	CRUMB TRAY	1



RGB HIGH SHELF SECTION

REF #	PART #	DESCRIPTION	QTY
1	GR10077	PLATE SHELF 60"	1
2	GR10112	RGB HIGH SHELF FRONT PANEL	1
3	GR10064	SUPPORT BRACKET	3
4	GR10109	RGB HIGH SHELF BACK PANEL	1
	GR10112	RGB HIGH SHELF ASSEMBLY	*



PARTS LIST FOR ALL ENTEE GAS RANGES

