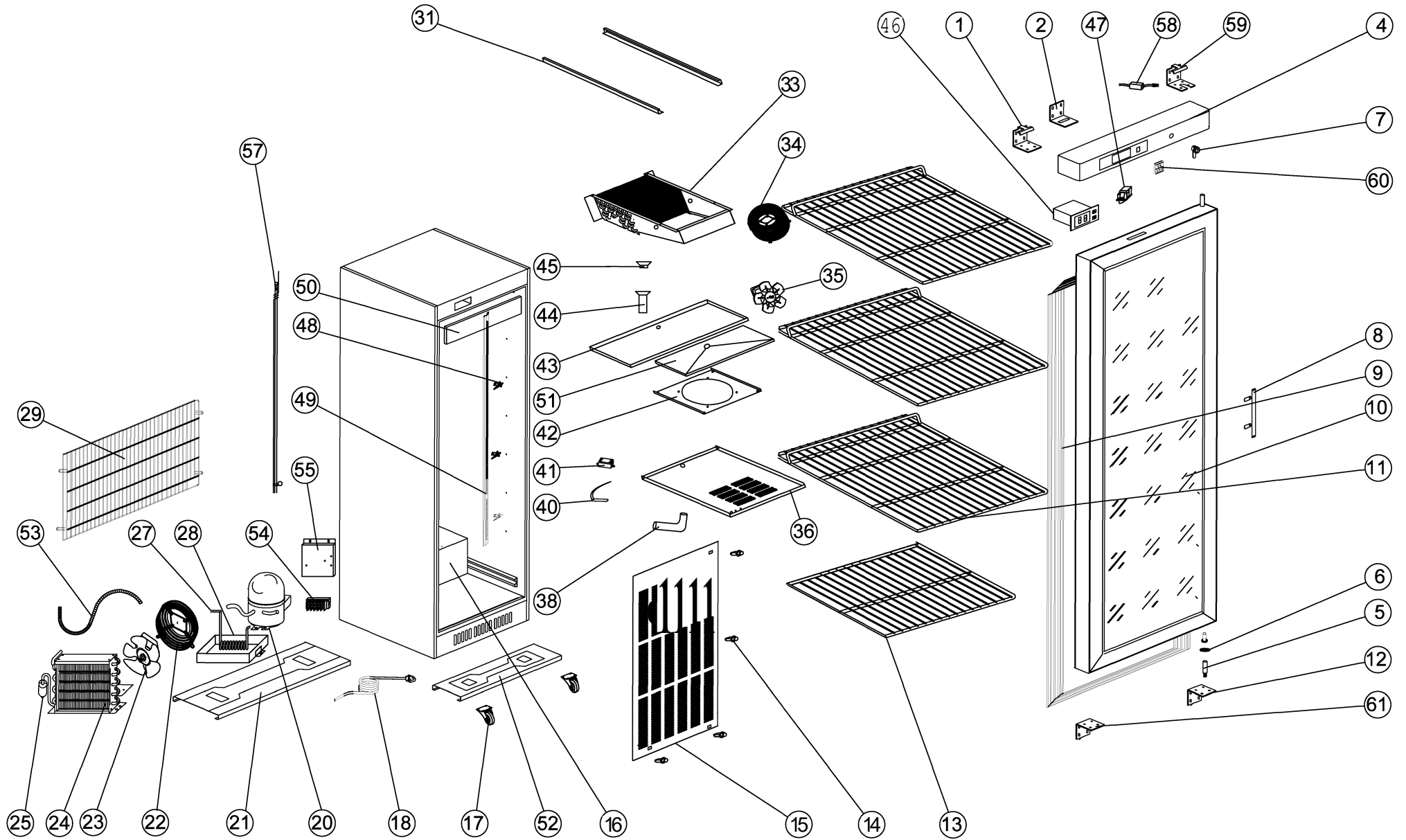




PARTS LIST
FOR GLASS DOOR
REACH-IN ECONOMY MODEL



CR1-EC-G-HC
(R290)



MODEL CR1-EC-G-HC

NO	PART #	NAME	QTY	NO	PART #	NAME	QTY
1	H110036	HINGE, UPPER LEFT	1	29	HR0313	REAR COVER GRILL	1
2	H110044	LATCH FOR DOOR LOCK	1	31	NA	EVAPORATOR SUPPORT RAIL	2
4	H130008	UPPER FRONT PANEL	1	33	H000880	EVAPORATOR COIL	1
5	H110010	DOOR HINGE AXIS	1	34	H01122	EVAPORATOR FAN GUARD	1
6	H300189	DOOR BUSHING	1	35	HC0120	MOTOR, EVAPORATOR FAN ECM7108 900RPM	1
7	H00340	LOCK	1	35	H00121	FAN BLADE, EVAPORATOR	1
8	H140003	DOOR HANDLE	1	36	HR0348	EVAPORATOR FAN COVER	1
8	H110055	DOOR HANDLE PAD	2	38	H00336-1	DRAIN JOINT	1
9	EHR0325	Gasket	1	40	H00205	TEMPERTURE SENSOR (NTC, 118")	1
10	H010578	DOOR	1	40	H00232	SENSOR CONNECTOR	1
10	H070106	LED LAMP/LEFT	1	40	H00206	TEMPERATURE SENSOR (NTC, 177")	1
10	H070130	LED LAMP/RIGHT	1	40	H00231	SENSOR CONNECTOR	1
11	H00309	SHELF	3	41	H00335	SENSOR CLIP	1
12	H110048	HINGE, LOWER RIGHT	1	42	HR0140	EVAPORATOR FAN SUPPORT	1
13	H00309B	SHELF, BOTTOM	1	43	HR0141	EVAPORATOR DRIP PAN	1
14	HR0002	EVAPORATOR COVER BRACKET	5	44	G30002	DRAIN FITTING (F)	1
15	HR0003	EVAPORATOR COVER	1	45	G30001	DRAIN PIPE (A)	1
16	N/A	Body	1	46	H00219	DIXELL CONTROL XR20C	1
17	H02317	CASTER, 3" W/O BRAKE	2	47	C2194676	DOOR SWITCH, 3 PIN WHITE	1
17	H02316	CASTER, 3" W/BRAKE	2	48	C3234860	SHELF CLIP	12
18	C2194684	POWER CORD, 14AWG/NEMA 5-15P	1	49	H00342	PILASTER	4
20	HC0001F	COMPRESSOR (EM2X3117U) W/FILTER DRIER	1	50	NA	PANEL	1
20	HC0001K	START KIT FOR COMPRESSOR EM2X3117U	1*	51	NA	SUPPORT PANEL	1
20	H00301	CAP TUBE (ID .55" X 196.9" L)	1	52	NA	CASTER SUPPORT PANEL	1
21	N/A	COMPRESSOR MOUNTNG PLATE	1	53	HC0396	DRAIN TUBING	1
22	HC0113	CONDENSER FAN GRILL	1	54	H00215	TERMINAL BLOCK, 5 POLE	1
23	H00125	MOTOR, CONDENSER FAN, BD03-04/C06 (5W)	1	55	NA	MOUNTING BRACKT	1
23	H00121	FAN BLADE, CONDENSER	1	57	NA	SUCTION PIPE	1
24	EC01347	CONDENSER/EVAPORATOR COIL	1	58	H070134	LED POWER SUPPLY (24V6W)	1
24	NA	CONDENSER SUPPORT	2	59	H110038	UPPER HINGE RIGHT	1
25	H00341	FILTER DRIER	1	60	C2194692	LIGHT SWITCH	1
27	HC0143	EVAPORATOR PIPE	1	60	HC10018	WATERPROOF COVER	1
28	C300012	CONDENSER DRAIN BOX	1	61	H110049	LOWER HINGE LEFT	1



PARTS LIST
FOR GLASS DOOR
REACH-IN ECONOMY MODEL



CR1-EC-G-HC
(R290)