



**ENTRÉE
REFRIGERATED & FREEZER
MERCHANDISER
PARTS LIST**

**FOR PARTS CALL 704-900-2068, OPTION
#2 FORM # EGD-HC REV: 20230620**

MODEL NUMBER BREAK DOWN:

The model number breakdown is really easy and simple:

For example: **EGD-1DR-23-HC**

- E** – Entrée,
- G** – Glass
- D** – Door
- 1** – One door, **2** – Two Door
- R** – Refrigerator, if this was and “**F**” it would be a FREEZER.
- 23** – Size of the cabinet
- HC** – Hydro Carbon Refrigerant

The EGD-2DR-47-HC is the only odd model because it has two SLIDING doors. All the other models are swing doors. The stand hinge side on all single door is on the right side as you would be looking at the merchandiser.

SERIAL NUMBER BREAKDOWN:

Example: 2009ENTQ00123

The first two number are the Year manufactured: 20 = 2020

The second two numbers are the Month manufactured:
09 = September

ENT = Entrée,

The forth alpha character will not the Freon Type use in this appliance:

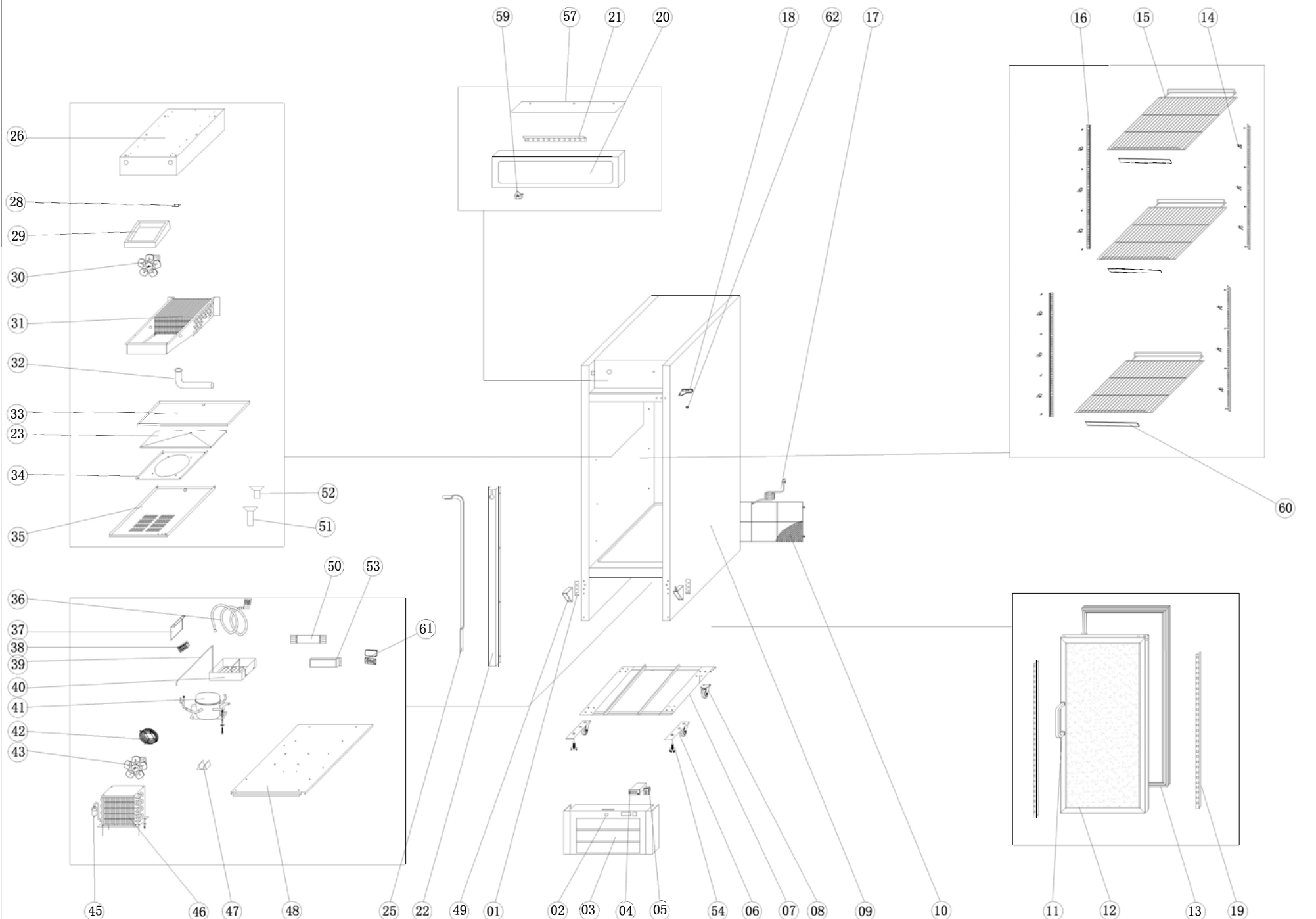
Q = R290

B = R600a

The last FIVE numbers are the numerical sequence of units built that month. In the example this unit would have been the one hundred twenty third (123) built that month.

TO ORDER PARTS:

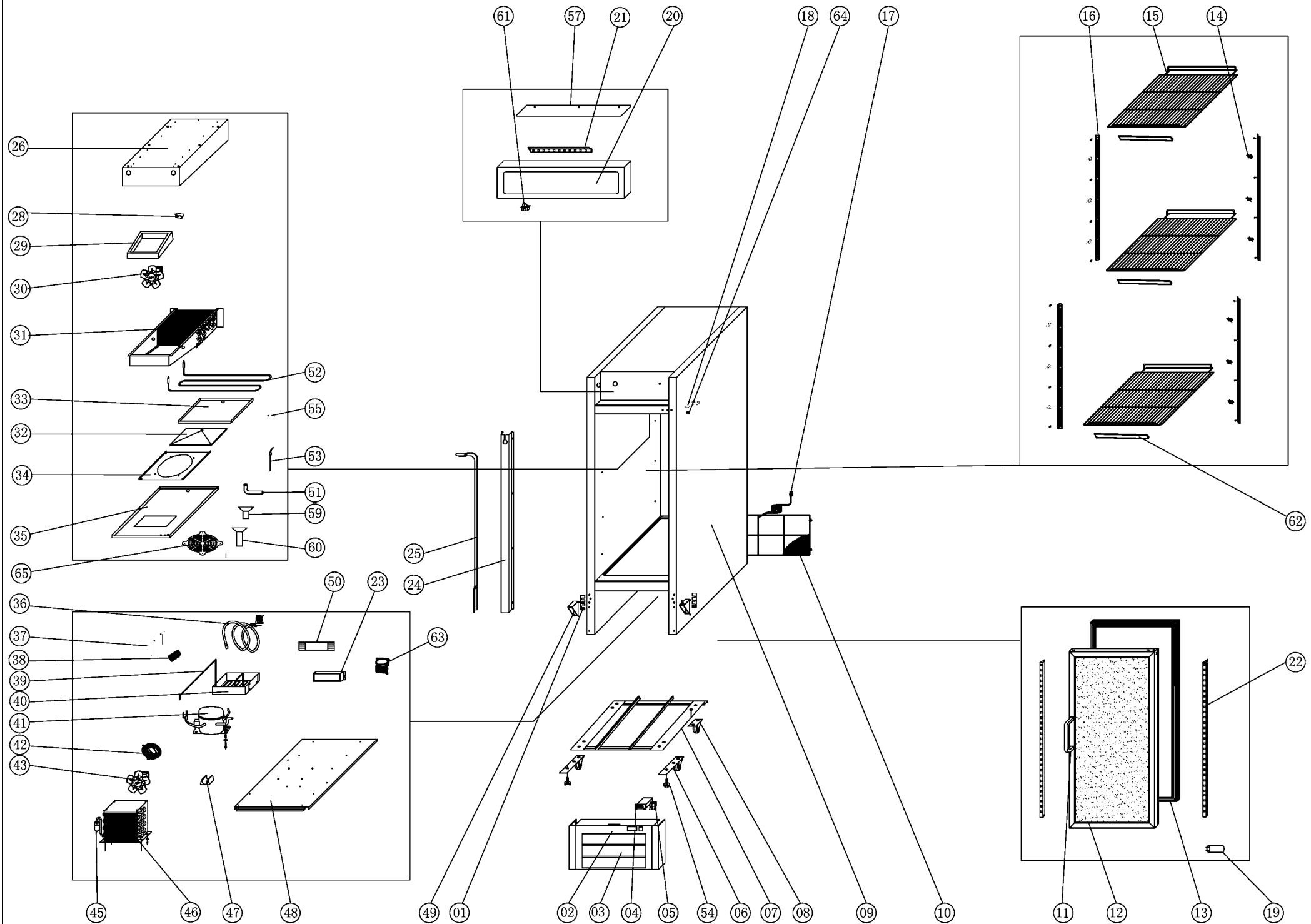
To order parts that are non-warranty, please call 704-900-2068 and push option #2 for our parts distributor.



EGD-1DR-12-HC

Model EGD-1DR-12-HC

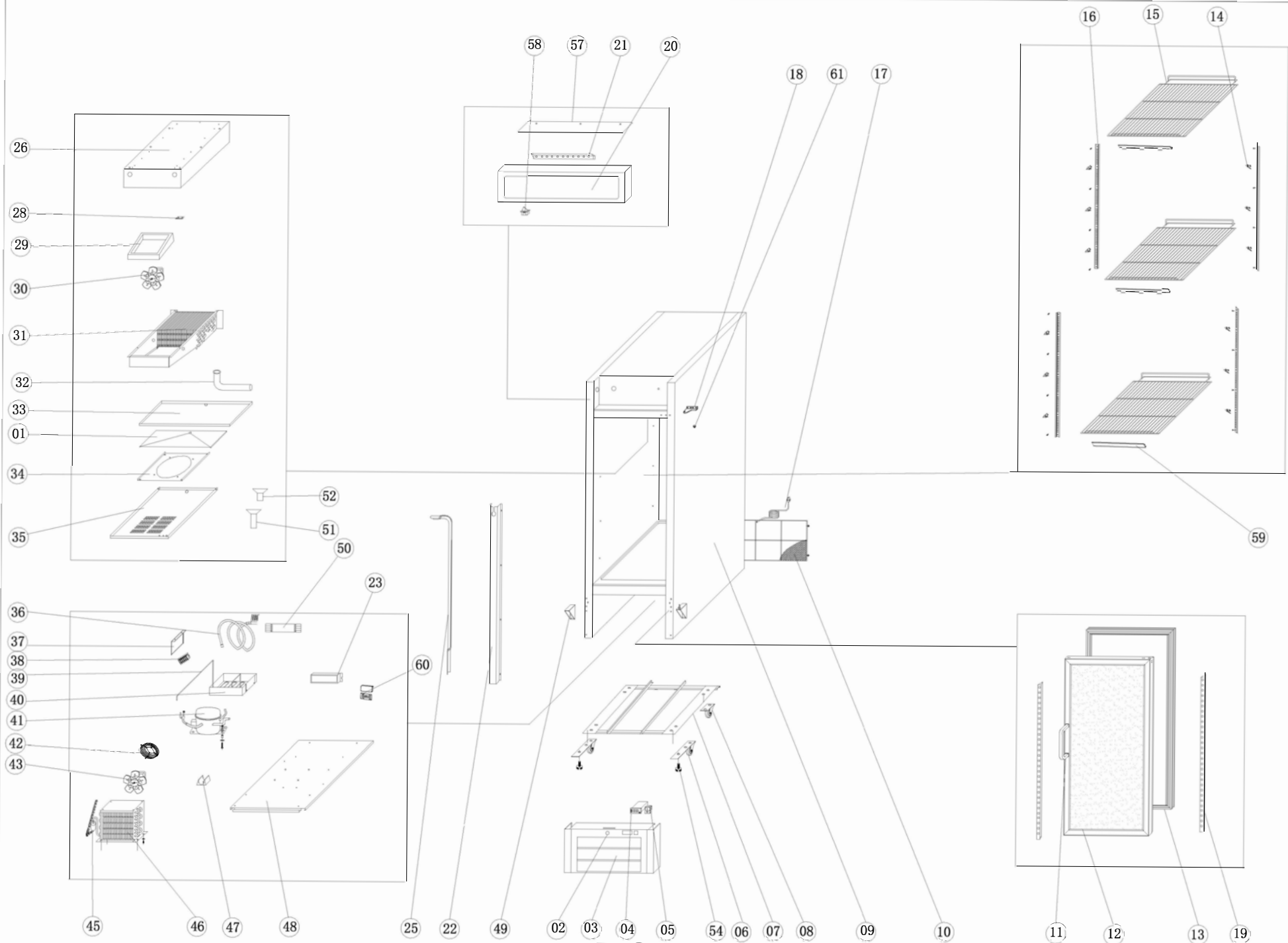
NO.	PART #	DESCRIPTION	QTY.	NO.	PART #	DESCRIPTION	QTY.
1	G20045	DOOR SHIM	2	31	HRC0350	EVAPORATOR COIL	1
2	H00340	DOOR LOCK W/2 KEYS	1	32	H00336	DRAIN JOINT	1
3	GDM008751	FRONT PANEL	1	33	C30015	EVAPORATOR DRIP PAN	1
4	HC0219-1	TEMPERATURE CONTROL BOARD (DIXELL XW03K)	1	34	GHC3012	EVAPORATOR FAN SUPPORT	1
4	HC0219-2	TEMPERATURE CONTROL DISPLAY (DIXELL CX50)	1	35	GHC50012	EVAPORATOR FAN COVER	1
5	C2194692	LIGHT SWITCH	1	36	HDV0002B-1	HELIX SUCTION PIPE+CAPILLARY B	1
6	G20037	FRONT WHEEL WITH LEVEL STOP FOOT	2	37	N/A	COVER PANEL	1
7	N/A	SUPPORT PANEL	1	38	H00215	TERMINAL BLOCK 5 POLE	1
8	BC1316	1" ROLLER (BACK WHEEL, FIXED)	2	39	GHC2014	DISCHARGE PIPE	1
9	N/A	BODY	1	40	C30018	CONDENSER DRAIN BOX	1
10	G20012	LOWER REAR GUARD	1	41	HC0001F	COMPRESSOR (EM2X3117U/115VAC/R290) W/FILTER DRIER	1
11	H107140020	GLASS DOOR HANDLE	1	41	HC0001K	START KIT FOR EM2X3117U	
12	GHC0007	DOOR, GLASS	1	42	H00113-1	FAN GUARD, CONDENSER	1
13	GHC0021	GASKET, DOOR	1	43	H00110	MOTOR, CONDENSER FAN, 9W	1
14	C3234860	PILASTER CLIP	16	45	H00341	FILTER DRIER	1
15	H00416	SHELF (19.8" X 18")	3	46	HC0346	CONDENSER COIL	1
16	H04343	PILASTER	2	47	N/A	DRIER SUPPORT	1
17	C2194684	POWER CORD, 14AWG/NEMA 5-15P	1	48	N/A	SUPPORT PANEL	1
18	GHC20040	HINGE, DOOR, UPPER RIGHT	2	49	GHC20041	DOOR HINGE, LOWER RIGHT & LEFT	1
19	GLED001L	LED STRIP (LEFT)	1	49	G20042	DOOR HINGE, LOWER LEFT	1
19	GLED001R	LED STRIP (RIGHT)	1	50	GLED003	LED POWER SUPPLY 24V 21.6W	1
20	GHC60112-1	LAMP COVER	1	51	G30002	DRAIN PIPE CONNECTOR (F)	1
21	GLED004	LED LAMP	1	52	G30001	DRAIN PIPE CONNECTOR (M)	1
22	GHC2015	SUCTION PIPE COVER	1	53	G10006	LED POWER SUPPLY (LED-B-13VDC-15W)	1
23	N/A	PANEL (NO STOCK)	1	54	G20038	LEVELING FOOT	2
25	HDV003A	Vertical Suction Pipe+Capillary A	1	57	GHC60012	LAMP COVER PROTECTOR	1
26	N/A	EVAPORATOR SUPPORT PANEL	1	59	HC10015	DOOR SWITCH	1
28	BD0053-1	PROBE CLIP	1	60	GHC40021	LABEL SUPPORT	3
29	N/A		1	61	H108140044	COVER BRACKET	1
30	HC0116-5	MOTOR, EVAPORATOR FAN (BLDC L-1200RPM)	1	61	H108140043	CONTROLLER COVER	1
				62	G20043	PLASTIC HINGE BUSHING	1



EGD-1DF-12-HC

Model EDG-1DF-12-HC

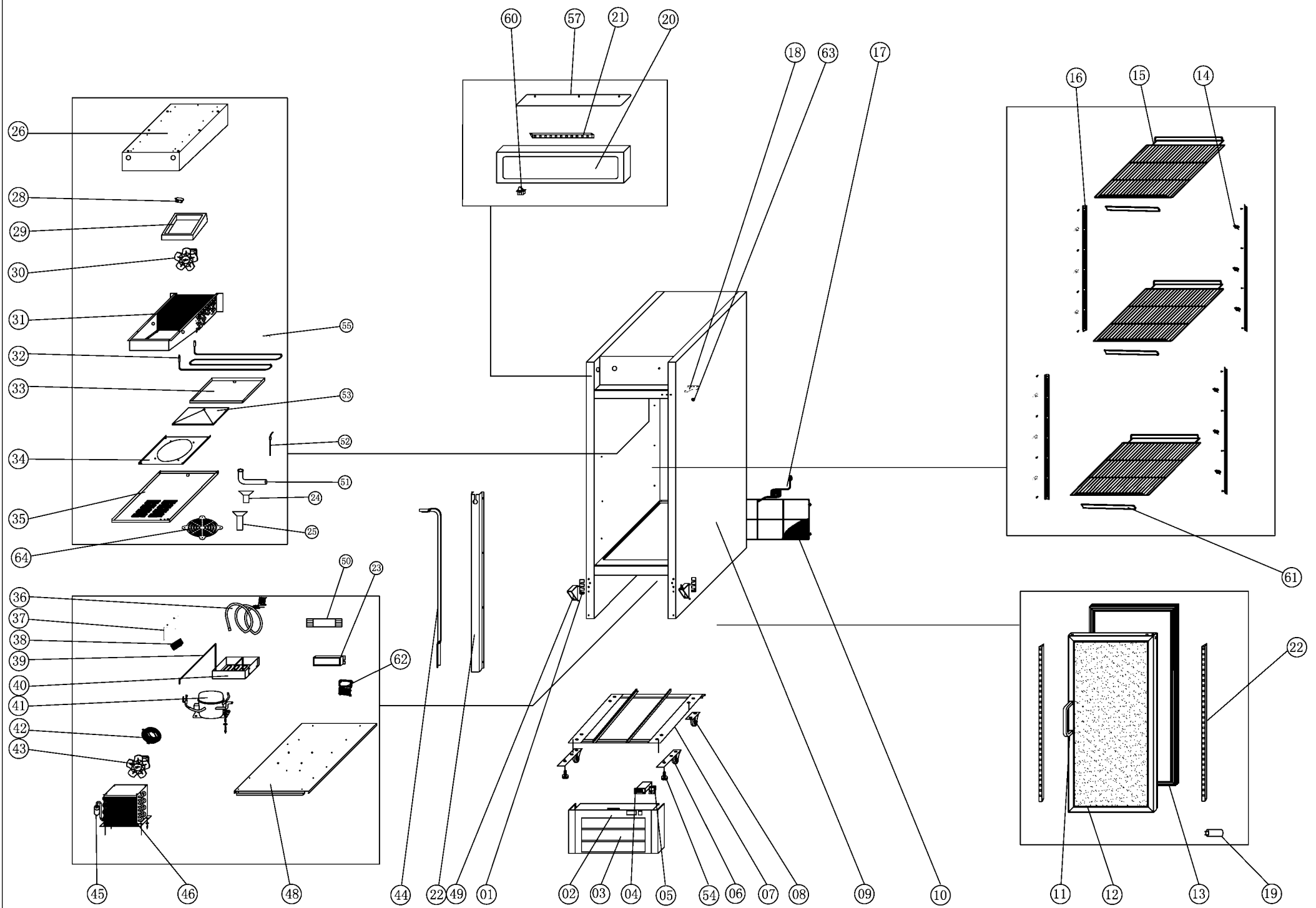
NO.	PART #	DESCRIPTION	QTY.	NO.	PART #	DESCRIPTION	QTY.
1	G20045	DOOR SHIM	2	33	C30015	EVAPORATOR DRIP PAN	1
2	H00340	DOOR LOCK W/2 KEYS	1	34	GHC3012	EVAPORATOR FAN SUPPORT	1
3	GDM008751	FRONT PANEL	1	35	GHC50012	EVAPORATOR FAN COVER	1
4	HC0219-3	TEMPERATURE CONTROL BOARD (DIXELL XW06K)	1	36	HDV0016B	HELIX SUCTION PIPE+CAPILLARY B	1
4	HC0219-2	TEMPERATURE CONTROL DISPLAY (DIXELL CX50)	1	37	N/A	COVER PANEL	1
5	C2194692	LIGHT SWITCH	1	38	H00215	TERMINAL BLOCK 5 POLE	1
6	G20037	FRONT WHEEL WITH LEVEL STOP FOOT	2	39	GHC2023	DISCHARGE PIPE	1
7	N/A	SUPPORT PANEL	1	40	C30018	CONDENSER DRAIN BOX	1
8	BC1316	1" ROLLER (BACK WHEEL, FIXED)	1	41	HC0007F	COMPRESSOR (EMC2140U/115VAC/R290) W/FILTER DRIER	1
9	N/A	BODY	1	41	H00229	START KIT FOR EMC2140U	
10	G20012	LOWER REAR GUARD	1	42	H00113-1	FAN GUARD, CONDENSER	1
11	H107140020	GLASS DOOR HANDLE	1	43	H00110	MOTOR, CONDENSER FAN, 9W	1
12	GHC0112	DOOR, GLASS	1	45	H00341	FILTER DRIER	1
13	GHC0021	GASKET, DOOR	1	46	HC0346	CONDENSER COIL	1
14	C3234860	PILASTER CLIP	16	48	N/A	SUPPORT PANEL	1
15	H00416	SHELF (19.8" X 18")	3	49	GHC20041	DOOR HINGE, LOWER RIGHT & LEFT	1
16	H04343	PILASTER	2	49	G00334	DOOR HINGE, LOWER LEFT	1
17	C2194684	POWER CORD, 14AWG/NEMA 5-15P	1	50	GLED003	LED POWER SUPPLY 24V 21.6W	1
18	GHC20040	HINGE, DOOR, UPPER RIGHT	2	51	H00336	DRAIN JOINT	1
19	GLED006	LED POWER SUPPLY	1	52	HC1205	DEFROST HEATING ELEMENT	1
20	GHC60112-1	LAMP COVER	1	53	H00211A	DRAIN PIPE HEATER (13W)	1
21	GLED004	LED LAMP	1	54	G20038	LEVELING FOOT	2
22	GLED001L	LED STRIP (LEFT)	1	55	H00207	FUSE, THERMAL, DEFROST HEATER	1
	GLED001R	LED STRIP (RIGHT)	1	57	GHC60012	LAMP COVER PROTECTOR	1
23	G10006	LED POWER SUPPLY (LED-B-13VDC-15W)	1	59	G30001	DRAIN PIPE CONNECTOR (M)	1
24	GHC2015	SUCTION PIPE COVER	1	60	G30002	DRAIN PIPE CONNECTOR (F)	1
25	HDV012A	Vertical Suction Pipe+Capillary A	1	61	HC10015	DOOR SWITCH	1
26	N/A	EVAPORATOR SUPPORT PANEL	1	62	GHC40021	LABEL SUPPORT	3
28	H00335	SENSOR CLIP	1	63	H108140044	COVER BRACKET	1
29	N/A		1	63	H108140043	CONTROLLER COVER	1
30	HC0116-5	MOTOR, EVAPORATOR FAN (BLDC L-1200RPM)	1	64	G20043	PLASTIC HINGE BUSHING	1
31	HC0355F	EVAPORATOR COIL	1	65	H00127	PLASTIC FAN GUARD	1
32	N/A	PANEL (NON STOCK)	1				



EGD-1DR-16-HC

Model EGD-1DR-16-HC

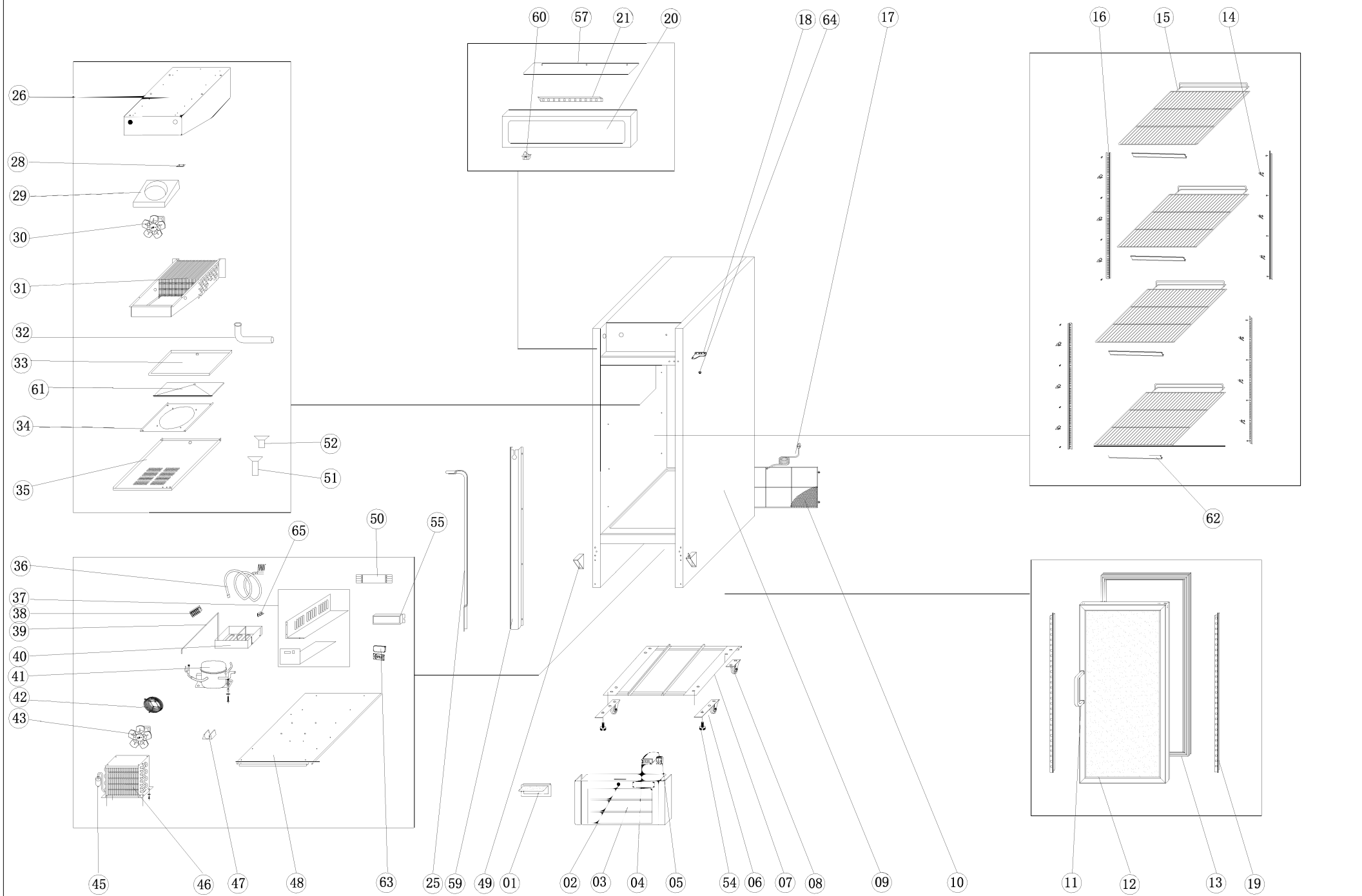
NO.	PART #	DESCRIPTION	QTY.	NO.	PART #	DESCRIPTION	QTY.
1	N/A	PANEL (NON STOCKING)	1	31	HRC0350	EVAPORATOR COIL	1
2	H00340	DOOR LOCK W/2 KEYS	1	32	H00336	DRAIN JOINT	1
3	GDM008751	FRONT PANEL	1	33	C30015	EVAPORATOR DRIP PAN	1
4	HC0219-1	TEMPERATURE CONTROL BOARD (DIXELL XW03K)	1	34	GHC3012	EVAPORATOR FAN SUPPORT	1
4	HC0219-2	TEMPERATURE CONTROL DISPLAY (DIXELL CX50)	1	35	GHC50012	EVAPORATOR FAN COVER	1
5	C2194692	LIGHT SWITCH	1	36	HDV0002B-1	HELIX SUCTION PIPE+CAPILLARY B	1
6	G20037	FRONT WHEEL WITH LEVEL STOP FOOT	2	37	N/A	COVER PANEL	1
7	N/A	SUPPORT PANEL	1	38	H00215	TERMINAL BLOCK 5 POLE	1
8	BC1316	1" ROLLER (BACK WHEEL, FIXED)	2	39	GHC2014	DISCHARGE PIPE	1
9	N/A	BODY	1	40	C30018	CONDENSER DRAIN BOX	1
10	G20012	LOWER REAR GUARD	1	41	HC0001F	COMPRESSOR (EM2X3117U/115VAC/R290) W/FILTER DRIER	1
11	H107140020	GLASS DOOR HANDLE	1	41	HC0001K	START KIT FOR EM2X3117U	
12	GHC0009	DOOR, GLASS	1	42	H00123	FAN GUARD BLACK, - CONDENSER	1
13	GHC0022	GASKET, DOOR	1	43	H00110	MOTOR, CONDENSER FAN, 9W	1
14	C3234860	PILASTER CLIP	12	45	H00341	FILTER DRIER	1
15	H00416	SHELF (19.8" X 18")	3	46	HC0346	CONDENSER COIL	1
16	H00342	PILASTER	4	47	N/A	DRIER SUPPORT	1
17	C2194684	POWER CORD, 14AWG/NEMA 5-15P	1	48	N/A	SUPPORT PANEL	1
18	GHC20040	HINGE, DOOR, UPPER RIGHT	1	49	GHC20041	DOOR HINGE, LOWER RIGHT & LEFT	1
19	GLED002L	LED STRIP (LEFT)	1	49	G20042	DOOR HINGE, LOWER LEFT	1
19	GLED002R	LED STRIP (RIGHT)	1	50	GLED003	LED POWER SUPPLY 24V 21.6W	1
20	GHC60112-1	LAMP COVER	1	51	G30002	DRAIN PIPE CONNECTOR (F)	1
21	GLED004	LED LAMP	1	52	G30001	DRAIN PIPE CONNECTOR (M)	1
22	GHC2016	SUCTION PIPE COVER	1	54	G20038	LEVELING FOOT	2
23	G10006	LED POWER SUPPLY (LED-B-13VDC-15W)	1	57	GHC60012	LAMP COVER PROTECTOR	1
25	HDV005A	VERTICAL SUCTION PIPE + CAPILLARY A	1	58	HC10015	DOOR SWITCH	1
26	N/A	EVAPORATOR SUPPORT PANEL	1	59	GHC40021	LABEL SUPPORT	3
28	BD0053-1	PROBE CLIP	1	60	H108140044	COVER BRACKET	1
29	N/A		1	60	H108140043	CONTROLLER COVER	1
30	HC0116-5	MOTOR, EVAPORATOR FAN (BLDC L-1200RPM)	1	61	G20043	PLASTIC HINGE BUSHING	1



EGD-1DF-16-HC

Model EGD-1DF-16-HC

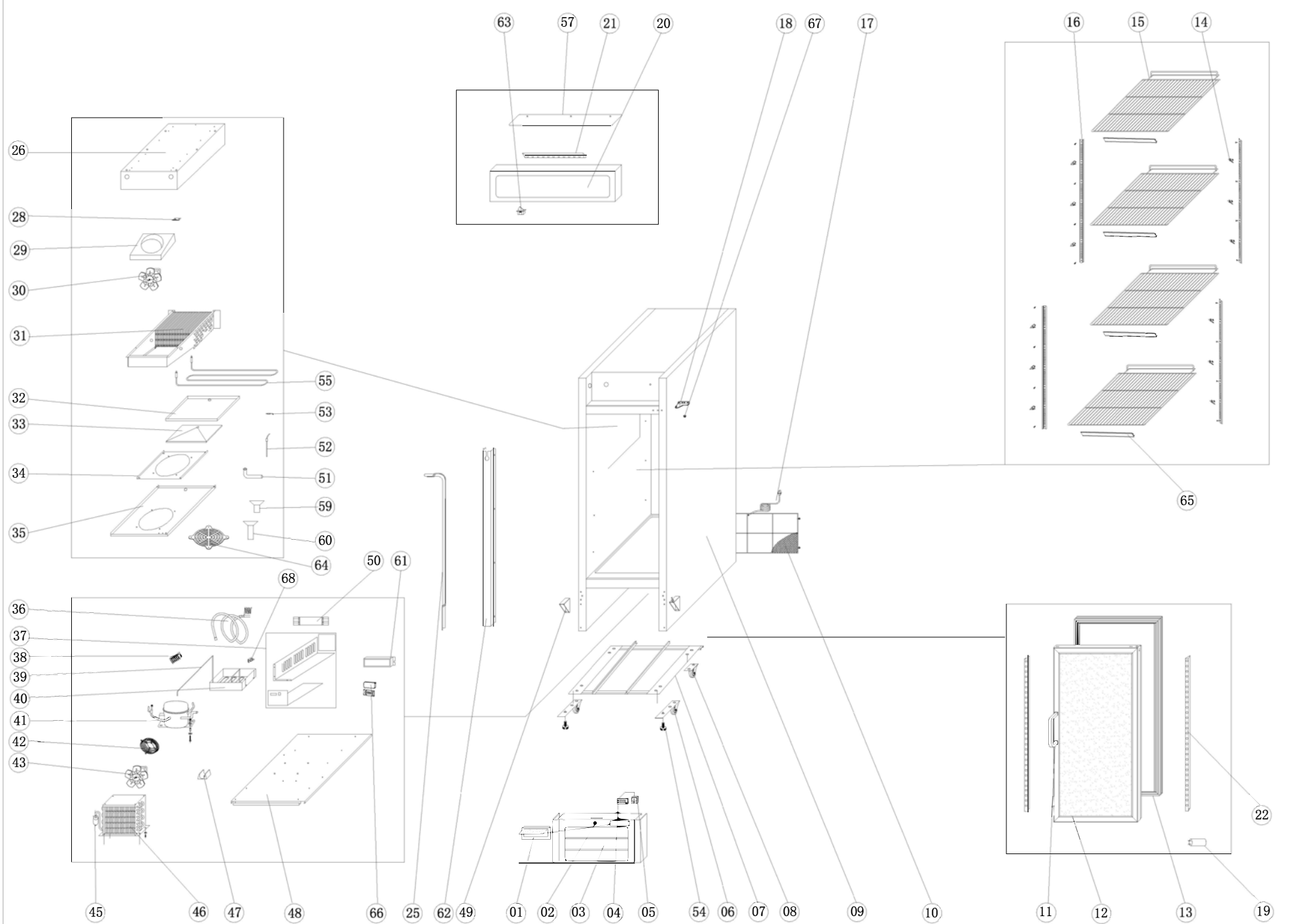
NO.	PART #	DESCRIPTION	QTY.	NO.	PART #	DESCRIPTION	QTY.
1	G20045	DOOR SHIM	2	34	GHC3012	EVAPORATOR FAN SUPPORT	1
2	H00340	DOOR LOCK W/2 KEYS	1	35	GHC50012	EVAPORATOR FAN COVER	1
3	GDM008751	FRONT PANEL	1	36	HDV0016B	HELIX SUCTION PIPE+CAPILLARY B	1
4	HC0219-3	TEMPERATURE CONTROL BOARD (DIXELL XW06K)	1	37	N/A	COVER PANEL	1
5	C2194692	LIGHT SWITCH	1	38	H00215	TERMINAL BLOCK 5 POLE	1
6	G20037	FRONT WHEEL WITH LEVEL STOP FOOT (G20030K FEET KIT)	2	39	GHC2023	DISCHARGE PIPE	1
7	N/A	SUPPORT PANEL	1	40	C30018	CONDENSER DRAIN BOX	1
8	BC1316	1" ROLLER (BACK WHEEL, FIXED) (G20030K FEET KIT)	2	41	HC0007F	COMPRESSOR (EMC2140U/115VAC/R290) W/FILTER DRIER	1
9	N/A	BODY	1	41	H00229	START KIT FOR EMC2140U	
10	G20012	LOWER REAR GUARD	1	42	H00113-1	FAN GUARD, CONDENSER	1
11	H107140020	GLASS DOOR HANDLE	1	43	H00110	MOTOR, CONDENSER FAN, 9W	1
12	GHC0116	DOOR, GLASS	1	44	HDV016A	Vertical Suction Pipe+Capillary A	1
13	GHC0022	GASKET, DOOR	1	45	H00341	FILTER DRIER	1
14	C3234860	PILASTER CLIP	16	46	HC0346	CONDENSER COIL	1
15	H00416	SHELF (19.8" X 18")	3	48	N/A	SUPPORT PANEL	1
16	H00342	PILASTER	8	49	GHC20041	DOOR HINGE, LOWER RIGHT & LEFT	1
17	C2194684	POWER CORD, 14AWG/NEMA 5-15P	1	50	GLED003	LED POWER SUPPLY 24V 21.6W	1
18	GHC20040	HINGE, DOOR, UPPER RIGHT	1	51	H00336	DRAIN JOINT	1
19	GLED006	LED POWER SUPPLY	1	52	H00211A	DRAIN PIPE HEATER (13W)	1
20	GHC60112-1	LAMP COVER	1	53	N/A	PANEL (NO STOCK)	
21	GLED004	LED LAMP	1	54	G20038	LEVELING FOOT (G20030K FEET KIT)	1
22	GLED002L	LED STRIP (LEFT)	1	55	H00207	FUSE, THERMAL, DEFROST HEATER	1
22	GLED002R	LED STRIP (RIGHT)	1	57	GHC60012	LAMP COVER PROTECTER	1
23	G10006	LED POWER SUPPLY (LED-B-13VDC-15W)	1	59	GHC2016	SUCTION PIPE COVER	1
24	G30002	DRAIN PIPE CONNECTOR (F)	1	60	HC10015	DOOR SWITCH	1
25	G30001	DRAIN PIPE CONNECTOR (M)	1	61	GHC40021	LABEL SUPPORT	3
26	N/A	EVAPORATOR SUPPORT PANEL	1	62	H108140044	COVER BRACKET	1
28	H00335	SENSOR CLIP	1	63	G20043	PLASTIC HINGE BUSHING	1
29	N/A		1	64	H00127	PLASTIC FAN GUARD	1
30	HC0116-5	MOTOR, EVAPORATOR FAN (BLDC L-1200RPM)	1	64	HC0219-2	TEMPERATURE CONTROL DISPLAY (DIXELL CX50)	1
31	HC0355F	EVAPORATOR COIL	1	64	H00126	PLASTIC FAN GUARD	1
32	HC1205	DEFROST HEATING ELEMENT	1	64	G00334	DOOR HINGE, LOWER LEFT	1
33	C30015	EVAPORATOR DRIP PAN	1	65	H108140043	CONTROLLER COVER	1



EGD-1DR-23-HC

Model EGD-1DR-23-HC

NO.	PART #	DESCRIPTION	QTY.	NO.	PART #	DESCRIPTION	QTY.
1	HC0381	PLASTIC COVER FOR DISPLAY	1	33	HC0142	EVAPORATOR WATER PAN	1
2	H00340	DOOR LOCK W/2 KEYS	1	34	GHC50013	EVAPORATOR FAN SUPPORT	1
3	GDM008744	FRONT PANEL	1	35	GHC50014	EVAPORATOR FAN COVER	1
4	HC0219-1	TEMPERATURE CONTROL BOARD (DIXELL XW03K)	1	36	HDV0006B	HELIX SUCTION PIPE+CAPILLARY B	1
4	HC0219-2	TEMPERATURE CONTROL DISPLAY (DIXELL CX50)	1	37	N/A	COVER ASSEMBLY	1
5	C2194692	LIGHT SWITCH	1	38	H00215	TERMINAL BLOCK 5 POLE	1
6	G20037	FRONT WHEEL WITH LEVEL STOP FOOT	2	39	GHC2022	EVAPORATE PIPE	1
7	N/A	SUPPORT PANEL	1	40	G30014	CONDENSER DRAIN BOX	1
8	BC1316	1" ROLLER (BACK WHEEL, FIXED)	2	41	HC0001F	COMPRESSOR (EM2X3117U/115VAC/R290) W/FILTER DRIER	1
9	N/A	BODY	1	41	HC0001K	START KIT FOR EM2X3117U	
10	G20020	UNIT ROOM COVER	1	42	H00123	FAN GUARD BLACK, - CONDENSER	1
11	H107140020	GLASS DOOR HANDLE	1	43	H00110	MOTOR, CONDENSER FAN, 9W	1
12	GHC0006	DOOR, RIGHT, GLASS	1	45	H00341	FILTER DRIER	1
12	G20043	PLASTIC HINGE BUSHING	1	46	HC0346	CONDENSER COIL	1
13	GHC0023	GASKET, DOOR	1	47	N/A	DRIER SUPPORT	1
14	C3234860	PILASTER CLIP	16	48	N/A	CONDENSER PANEL	1
15	H00307-G	SHELF (21.57"X 24.33")	4	49	GHC20041	DOOR HINGE, LOWER RIGHT & LEFT	2
16	H00342	PILASTER	4	50	GLED003	LED POWER SUPPLY 24V 21.6W	1
17	C2194684	POWER CORD, 14AWG/NEMA 5-15P	1	51	G30002	DRAIN PIPE CONNECTOR (F)	1
18	GHC20040	HINGE, DOOR, UPPER RIGHT	2	52	G30001	DRAIN PIPE CONNECTOR (M)	1
19	GLED002L	LED STRIP (LEFT)	1	54	G20038	LEVELING FOOT	2
19	GLED002R	LED STRIP (RIGHT)	1	55	G10006	LED POWER SUPPLY (LED-B-13VDC-15W)	1
20	H5114000669	LAMP COVER	1	57	GHC60023	LAMP COVER PROTECTOR	1
21	GLED004	LED LAMP	1	59	H00311	CHANNEL SUCTION LINE COVER	1
25	HDV008A	VERTICAL SUCTION PIPE+CAPILLARY A	1	60	HC10015	DOOR SWITCH	1
26	N/A	EVAPORATOR SUPPORT PANEL	1	61	N/A	EVAPORATOR PANEL (NO STOCK)	1
28	BD0053-1	PROBE CLIP	1	62	GHC40019	LABEL SUPPORT	4
29	GHC3014	EVAPORATOR AIR DUCT	1	63	H108140044	COVER BRACKET	1
30	HC0116-5	MOTOR, EVAPORATOR FAN (BLDC L-1200RPM)	1	63	H108140043	CONTROLLER COVER	1
31	HC0349R	EVAPORATOR COIL	1	64	G20043	PLASTIC HINGE BUSHING	1
32	H00336	DRAIN JOINT	1	65	N/A	DRAIN BRACKET	1

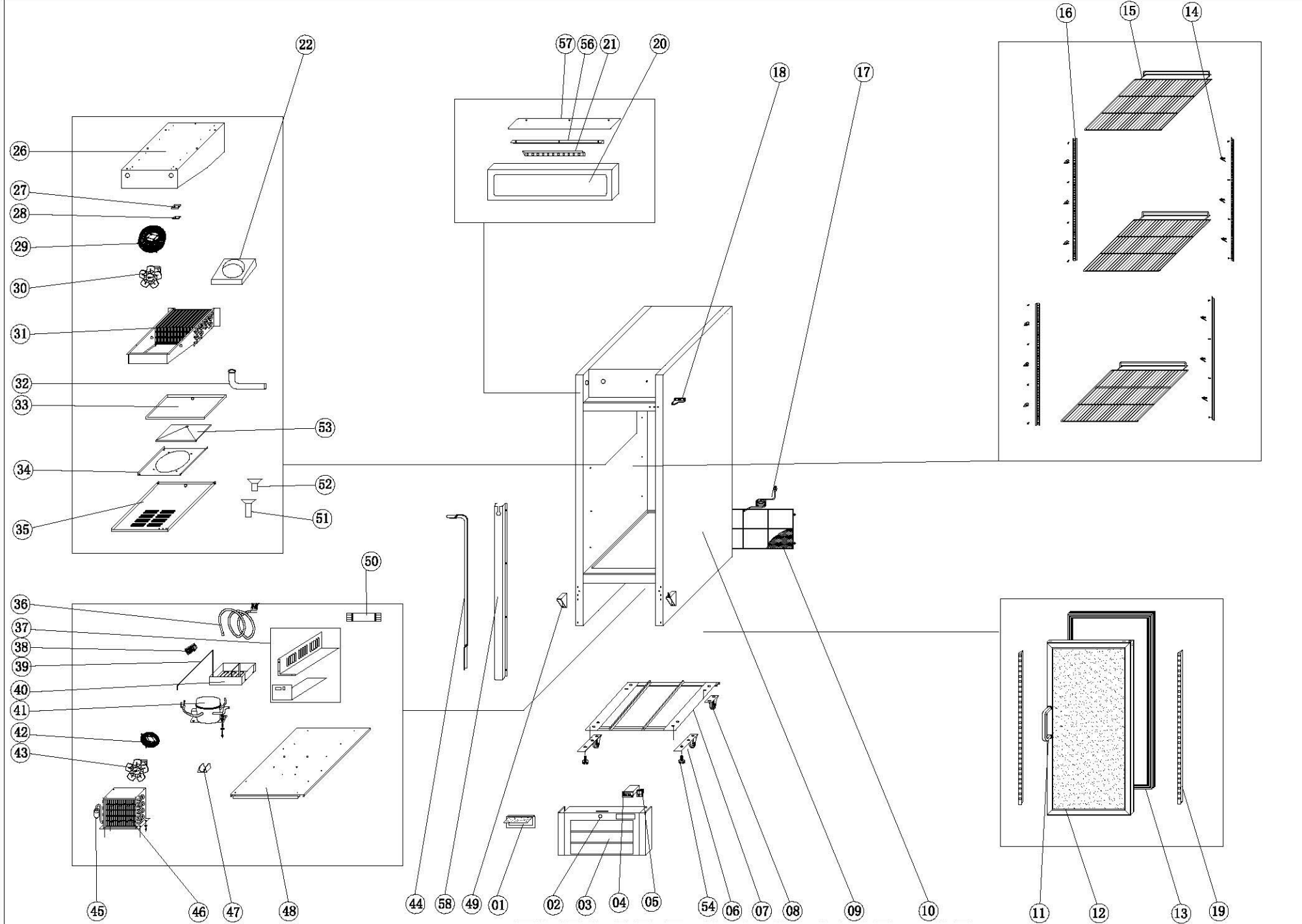


EGD-1DF-23-HC

Model EGD-1DF-23-HC

NO.	PART #	DESCRIPTION	QTY.
1	HC0381	PLASTIC COVER FOR DISPLAY	1
2	H00340	DOOR LOCK W/2 KEYS	1
3	GDM008744	LOWER FRONT LOUVERED PANEL	1
4	HC0219-3	TEMPERATURE CONTROL BOARD (DIXELL XW06K)	1
4	HC0219-2	TEMPERATURE CONTROL DISPLAY (DIXELL CX50)	1
5	C2194692	LIGHT SWITCH	1
6	G20037	FRONT WHEEL WITH LEVEL STOP FOOT	2
7	N/A	SUPPORT PANEL	1
8	BC1316	1" ROLLER (BACK WHEEL, FIXED)	2
9	N/A	BODY	1
10	G20020	UNIT ROOM COVER	1
11	G20026	GLASS DOOR HANDLE	1
12	G00010	DOOR, GLASS, RIGHT	1
13	GHC0023	GASKET, DOOR	1
14	C3234860	PILASTER CLIP	16
15	H00307-G	SHELF (21.57"X 24.33")	4
16	H00342	PILASTER	4
17	C2194684	POWER CORD, 14AWG/NEMA 5-15P	1
18	GHC20040	HINGE, DOOR, UPPER RIGHT	1
19	GLED006	LED POWER SUPPLY	1
20	H5114000669	LAMP COVER	1
21	GLED004	LED LAMP	1
22	GLED002L	LED STRIP (LEFT)	1
22	GLED002R	LED STRIP (RIGHT)	1
25	HDV007A	VERTICAL SUCTION PIPE+CAPILLARY A	1
26	N/A	EVAPORATOR SUPPORT PANEL	1
28	H00335	SENSOR CLIP	1
29	N/A	AIR GUIDE (NO STOCK)	1
30	HC0116-5	MOTOR, EVAPORATOR FAN (BLDC L-1200RPM)	1
31	HC0349F	EVAPORATOR COIL	1
32	HC0142	DRIP PAN, EVAPORATOR	1
33	N/A	PANEL (NO STOCK)	1
34	GHC50013	EVAPORATOR FAN SUPPORT	1
35	GHC50014	EVAPORATOR FAN COVER	1
36	HDV0005B	HELIX SUCTION PIPE+CAPILLARY B	1
37	N/A	COVER BOX	1

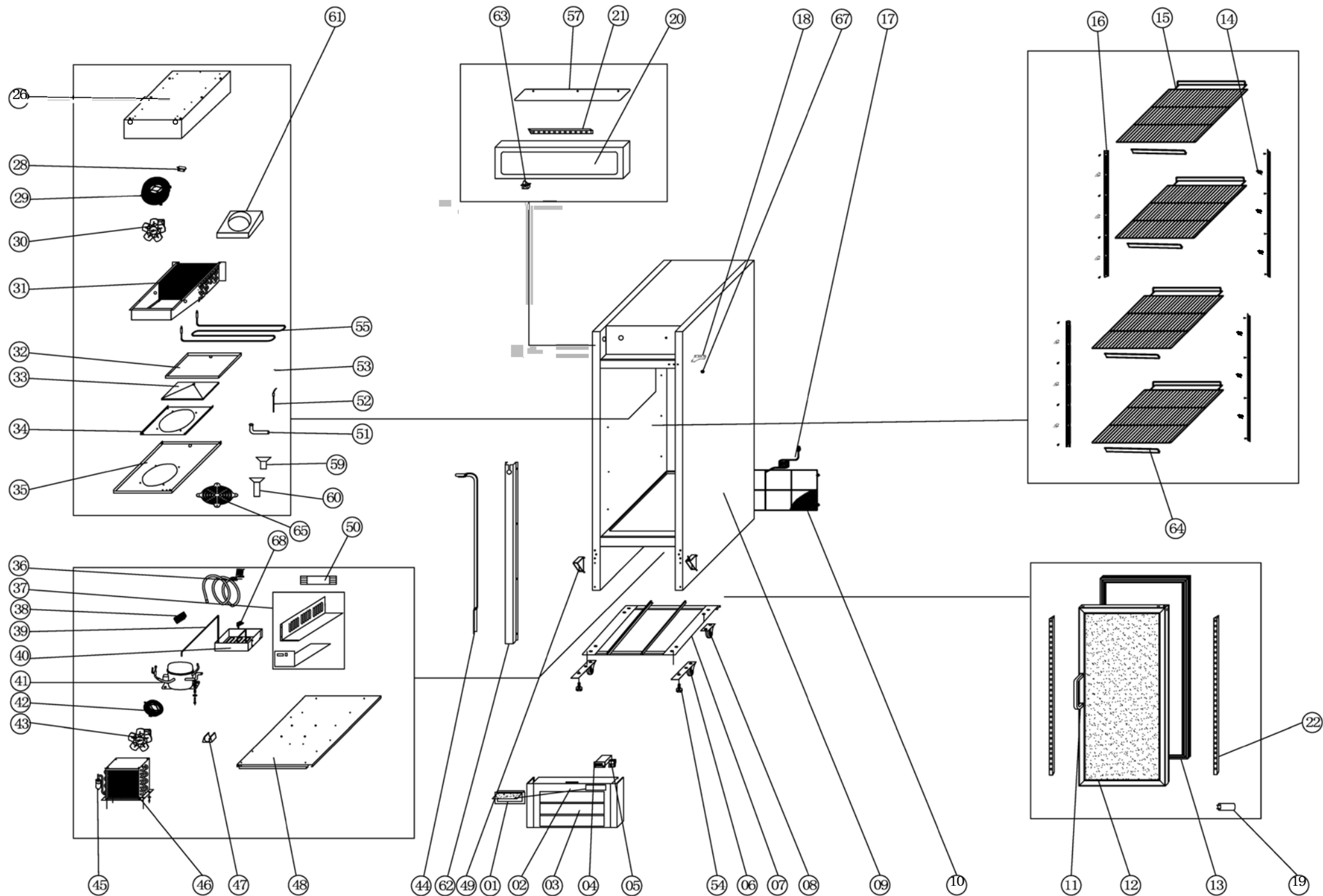
NO.	PART #	DESCRIPTION	QTY.
37	N/A	COVER BOX	1
37	N/A	COVER ASSEMBLY	1
38	H00215	TERMINAL BLOCK 5 POLE	1
39	GHC2021	DISCHARGE PIPE	1
40	C30014	CONDENSER DRAIN BOX	1
41	HC0010F	COMPRESSOR (NEU2155U/115VAC/R290) W/FILTER DRIER	1
41	HC0010K	START KIT FOR NEU2155U	
41	HC0011F	COMPRESSOR (SCE15CNLX/115VAC/R290) W/FILTER DRIER	OPT
41	HC0011K	START KIT FOR SCE15CNLX	
42	H00113	FAN GUARD, BLACK, - CONDENSER	1
43	H00110	MOTOR, CONDENSER FAN, 9W	1
45	H00341	FILTER DRIER	1
46	HC0346	CONDENSER COIL	1
47	N/A	DRIER SUPPORT	1
48	N/A	CONDENSER PANEL	1
49	GHC20041	DOOR HINGE, LOWER RIGHT & LEFT	1
49	G20042	DOOR HINGE, LOWER LEFT	1
50	GLED003	LED POWER SUPPLY 24V 21.6W	1
51	H00336	DRAIN JOINT	1
52	H00211A	DRAIN PIPE HEATER (13W)	1
53	H00207	FUSE, THERMAL, DEFROST HEATER	1
54	G20038	LEVELING FOOT	2
55	HC0201	DEFROST HEATING ELEMENT	
57	GHC60023	LAMP COVER PROTECTOR	1
59	G30002	DRAIN PIPE CONNECTOR (F)	1
60	G30001	DRAIN PIPE CONNECTOR (M)	1
61	G10006	LED POWER SUPPLY (LED-B-13VDC-15W)	1
62	H00311	CHANNEL SUCTION LINE COVER	1
63	HC10015	DOOR SWITCH	1
64	H00112-1	EVAPORATOR FAN GUARD	1
65	GHC40019	LABEL SUPPORT	4
66	H108140044	COVER BRACKET	1
66	H108140043	CONTROLLER COVER	1
67	G20043	PLASTIC HINGE BUSHING	1
68	N/A	DRAIN BRACKET	1



EGD-1DR-26-HC

Model EGD-1DR-26-HC

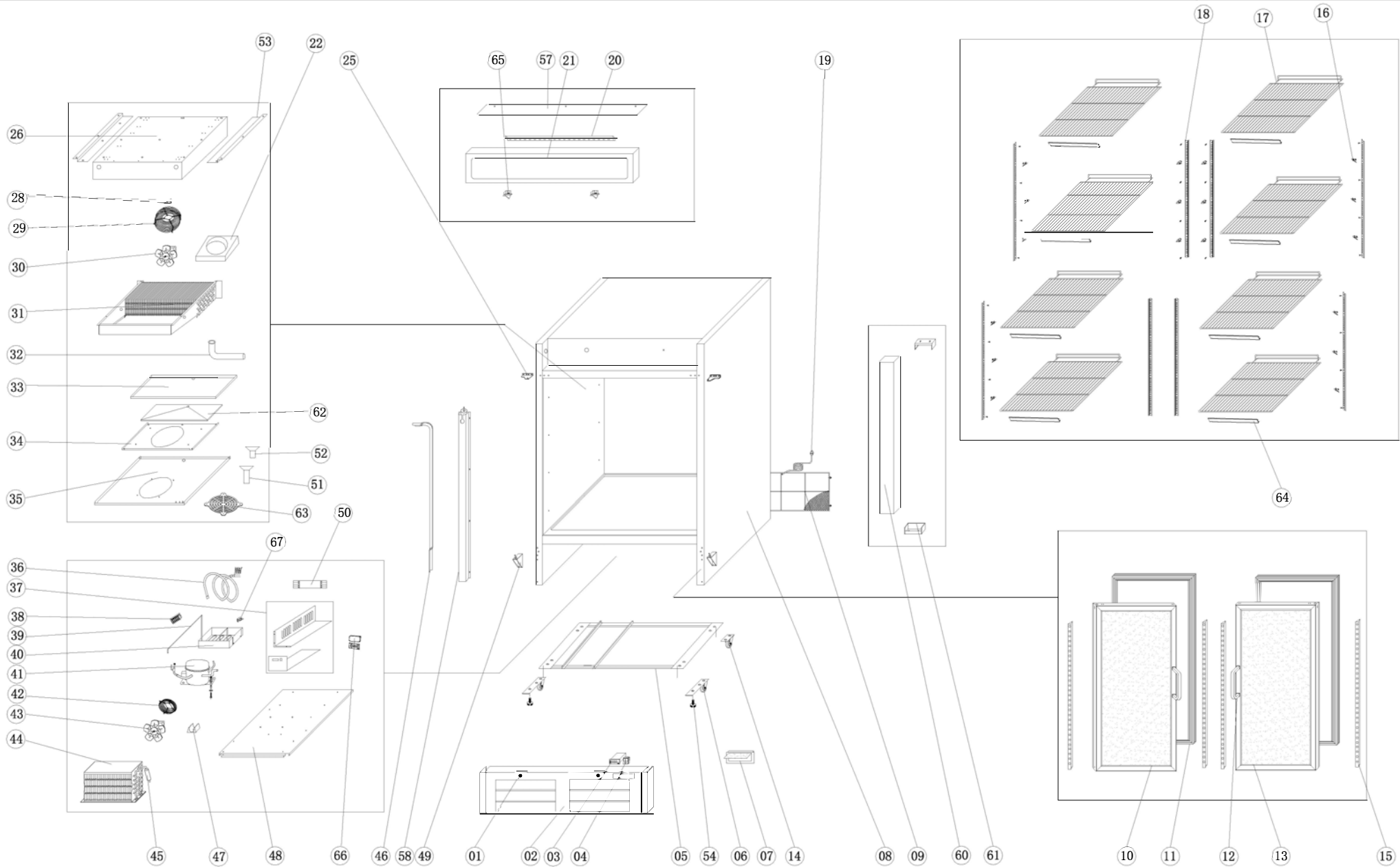
NO.	PART #	DESCRIPTION	QTY.	NO.	PART #	DESCRIPTION	QTY.
1	HC0381	PLASTIC COVER FOR DISPLAY	2	34	HC0131	EVAPORATOR FAN SUPPORT	1
2	H00340	DOOR LOCK W/2 KEYS	1	35	H5202004552	EVAPORATOR FAN COVER	1
3	H5114000248	FRONT PANEL	1	36	H113100538	HELIX SUCTION PIPE+CAPILLARY B	1
4	HC0219-1	TEMPERATURE CONTROL BOARD (DIXELL XW03K)	1	37	N/A	COVER ASSEMBLY	1
4	HC0219-2	TEMPERATURE CONTROL DISPLAY (DIXELL CX50)	1	38	H00215	TERMINAL BLOCK 5 POLE	1
5	C2194692	LIGHT SWITCH	1	39	GHC2022	EVAPORATE PIPE	1
6	G20037	FRONT WHEEL WITH LEVEL STOP FOOT	2	40	G30014	CONDENSER DRAIN BOX	1
7	N/A	SUPPORT PANEL	1	41	HC0001F	COMPRESSOR (EM2X3117U/115VAC/R290) W/FILTER DRIER	1
8	BC1316	1" ROLLER (BACK WHEEL, FIXED)	2	41	HC0001K	START KIT FOR EM2X3117U	
9	N/A	BODY	1	42	H00113-1	FAN GUARD, CONDENSER	1
10	H109040022	UNIT ROOM COVER	1	43	H00110	MOTOR, CONDENSER FAN, 9W	1
11	H107140020	GLASS DOOR HANDLE	1	44	HDV008A	VERTICAL SUCTION PIPE+CAPILLARY A	1
12	GHC0008	DOOR, GLASS	1	45	H00341	FILTER DRIER	1
13	H108270220	GASKET, DOOR	1	46	HC0346	CONDENSER COIL	1
14	C3234860	PILASTER CLIP	16	47	N/A	DRIER SUPPORT	1
15	H109020006	SHELF (23.15" X 26.14")	4	48	N/A	CONDENSER PANEL	1
16	H00342	PILASTER	4	49	GHC20041	DOOR HINGE, LOWER RIGHT & LEFT	1
17	C2194684	POWER CORD, 14AWG/NEMA 5-15P	1	49	G20042	DOOR HINGE, LOWER LEFT	1
18	GHC20040	HINGE, DOOR, UPPER RIGHT	2	50	GLED003	LED POWER SUPPLY 24V 21.6W	1
18	G20043	PLASTIC HINGE BUSHING	1	51	G30002	DRAIN PIPE CONNECTOR (F)	1
19	GLED002L	LED STRIP (LEFT)	1	52	G30001	DRAIN PIPE CONNECTOR (M)	1
19	GLED002R	LED STRIP (RIGHT)	1	53	N/A	EVAPORATOR PANEL (NO STOCK)	1
20	H5114000244	LAMP COVER	1	54	G20038	LEVELING FOOT	2
21	GLED004	LED LAMP	1	57	H5202002997	LAMP COVER PROTECTOR	1
22	GHC3014	EVAPORATOR AIR DUCT	1	58	H00311	CHANNEL SUCTION LINE COVER	1
26	N/A	EVAPORATOR SUPPORT PANEL	1	59	HC10015	DOOR SWITCH	1
28	BD0053-1	PROBE CLIP	1	60	GHC40022	LABEL SUPPORT	4
29	H00112-1	FAN GUARD, EVAPORATOR, WHITE	1	61	H00112-1	EVAPORATOR FAN GUARD	1
30	HC0116-1	MOTOR, EVAPORATOR FAN (IQC3608) 900 RPM	1	62	H108140044	COVER BRACKET	1
31	HC0349R	EVAPORATOR COIL	1	62	H108140043	CONTROLLER COVER	1
32	H00336	DRAIN JOINT	1	63	G20043	PLASTIC HINGE BUSHING	1
33	HC0142	EVAPORATOR WATER PAN	1	64	N/A	DRAIN BRACKET	1



EGD-1DF-26-HC

Model EGD-1DF-26-HC

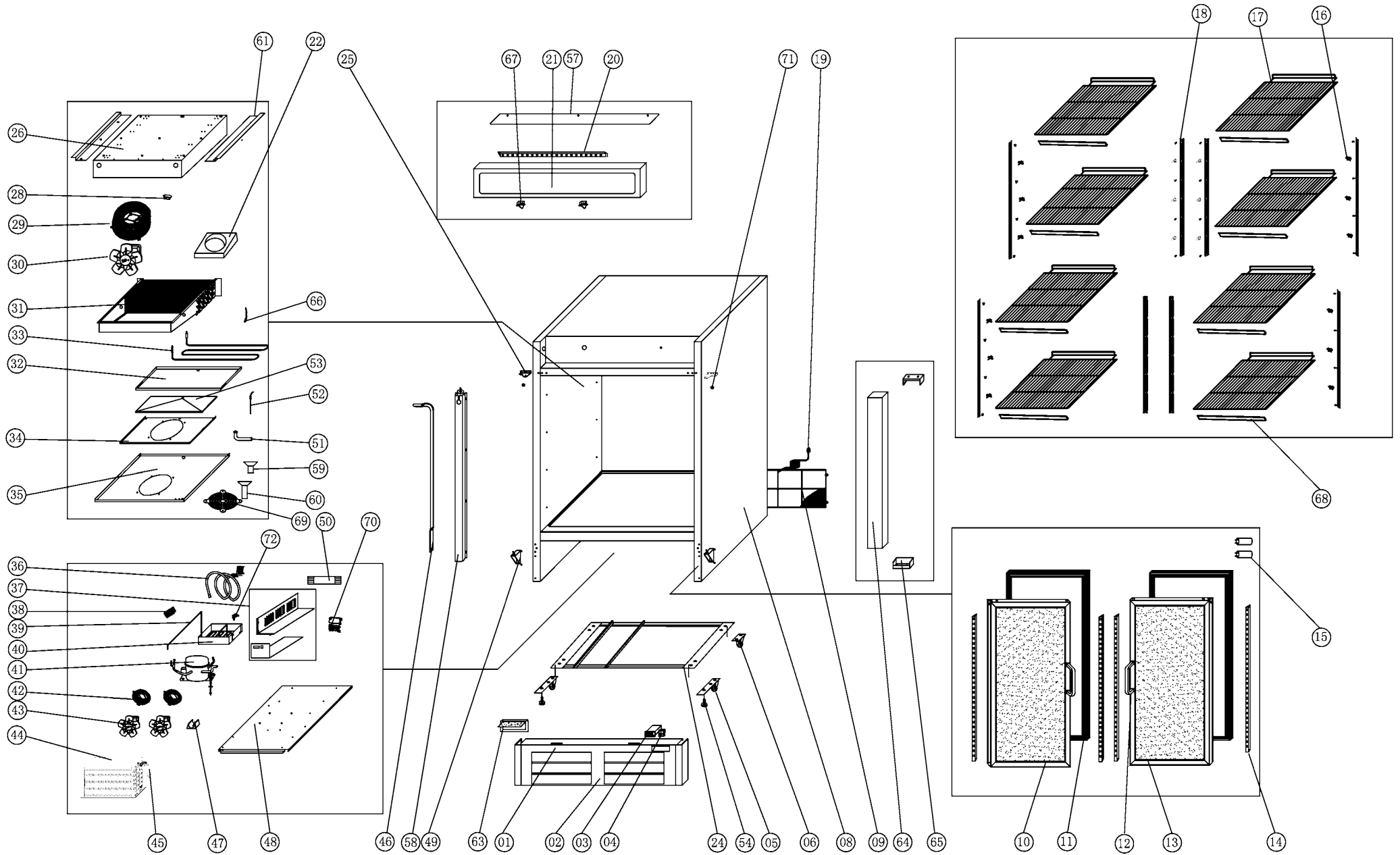
NO.	PART #	DESCRIPTION	QTY.	NO.	PART #	DESCRIPTION	QTY.
1	HC0381	PLASTIC COVER FOR DISPLAY	1	37	N/A	COVER ASSEMBLY	1
2	H00340	DOOR LOCK W/2 KEYS	1	38	H00215	TERMINAL BLOCK 5 POLE	1
3	H5114000248	FRONT PANEL	1	39	GHC2021	DISCHARGE PIPE	1
4	HC0204	CONTROLLER - TEMPERATURE/DEFROST	1	40	C30014	CONDENSER DRAIN BOX	1
5	C2194692	LIGHT SWITCH	1	41	HC0010F	COMPRESSOR (NEU2155U/115VAC/R290) W/FILTER DRIER	1
6	G20037	FRONT WHEEL WITH LEVEL STOP FOOT	2	41	HC0010K	START KIT FOR NEU2155U	
7	N/A	SUPPORT PANEL	1	41	HC0011F	COMPRESSOR (SCE15CNLX/115VAC/R290) W/FILTER DRIER	OPT
8	BC1316	1" ROLLER (BACK WHEEL, FIXED)	2	41	HC0011K	START KIT FOR SCE15CNLX	
9	N/A	BODY	1	42	H00113-1	FAN GUARD, CONDENSER	1
10	H109040022	UNIT ROOM COVER	1	43	H00110	MOTOR, CONDENSER FAN, 9W	1
11	H107140020	GLASS DOOR HANDLE	1	44	HDV007A	VERTICAL SUCTION PIPE + CAPILLARY A	1
12	GHC0010	DOOR, GLASS	1	45	H00341	FILTER DRIER	1
13	H108270220	GASKET, DOOR	1	46	HC0346	CONDENSER COIL	1
14	C3234860	PILASTER CLIP	16	47	N/A	DRIER SUPPORT	1
15	H109020006	SHELF (23.15" X 26.14")	4	48	N/A	CONDENSER PANEL	1
16	H00342	PILASTER	4	49	GHC20041	DOOR HINGE, LOWER RIGHT & LEFT	1
17	C2194684	POWER CORD, 14AWG/NEMA 5-15P	1	49	G00334	DOOR HINGE, LOWER LEFT	1
18	GHC20040	HINGE, DOOR, UPPER RIGHT	1	50	GLED003	LED POWER SUPPLY 24V 21.6W	1
19	GLED006	LED POWER SUPPLY	1	51	H00336	DRAIN JOINT	1
20	H5114000244	LAMP COVER	1	52	H00211A	DRAIN PIPE HEATER (13W)	1
21	GLED004	LED LAMP	1	53	H00207	FUSE, THERMAL, DEFROST HEATER	1
22	GLED002L	LED STRIP (LEFT)	1	54	G20038	LEVELING FOOT	2
26	N/A	EVAPORATOR SUPPORT PANEL	1	55	HC0201	DEFROST HEATING ELEMENT	1
28	H00335	SENSOR CLIP	1	57	H5202002997	LAMP COVER PROTECTOR	1
29	H00112-1	FAN GUARD, EVAPORATOR, WHITE	1	59	G30002	DRAIN PIPE CONNECTOR (F)	1
30	HC0120	MOTOR, EVAPORATOR FAN (900 RPM)	1	60	G30001	DRAIN PIPE CONNECTOR (M)	1
31	HC0349F	EVAPORATOR COIL	1	61	N/A	AIR GUIDE (NO STOCK)	1
32	HC0142	EVAPORATOR WATER PAN	1	62	H00311	CHANNEL SUCTION LINE COVER	1
33	N/A	PANEL (NO STOCK)	1	63	HC10015	DOOR SWITCH	1
34	HC0131	EVAPORATOR FAN SUPPORT	1	64	GHC40022	LABEL SUPPORT	4
35	H5202004552	EVAPORATOR FAN COVER	1	65	H00112-1	EVAPORATOR FAN GUARD	1
36	HDV0018B	HELIX SUCTION PIPE+CAPILLARY B	1	67	G20043	PLASTIC HINGE BUSHING	1
37	N/A	COVER BOX	1	68	N/A	DRAIN BRACKET	1
37	N/A	COVER BOX	1	68	GLED002R	LED STRIP (RIGHT)	1



EGD-2DR-36-HC

Model EGD-2DR-36-HC

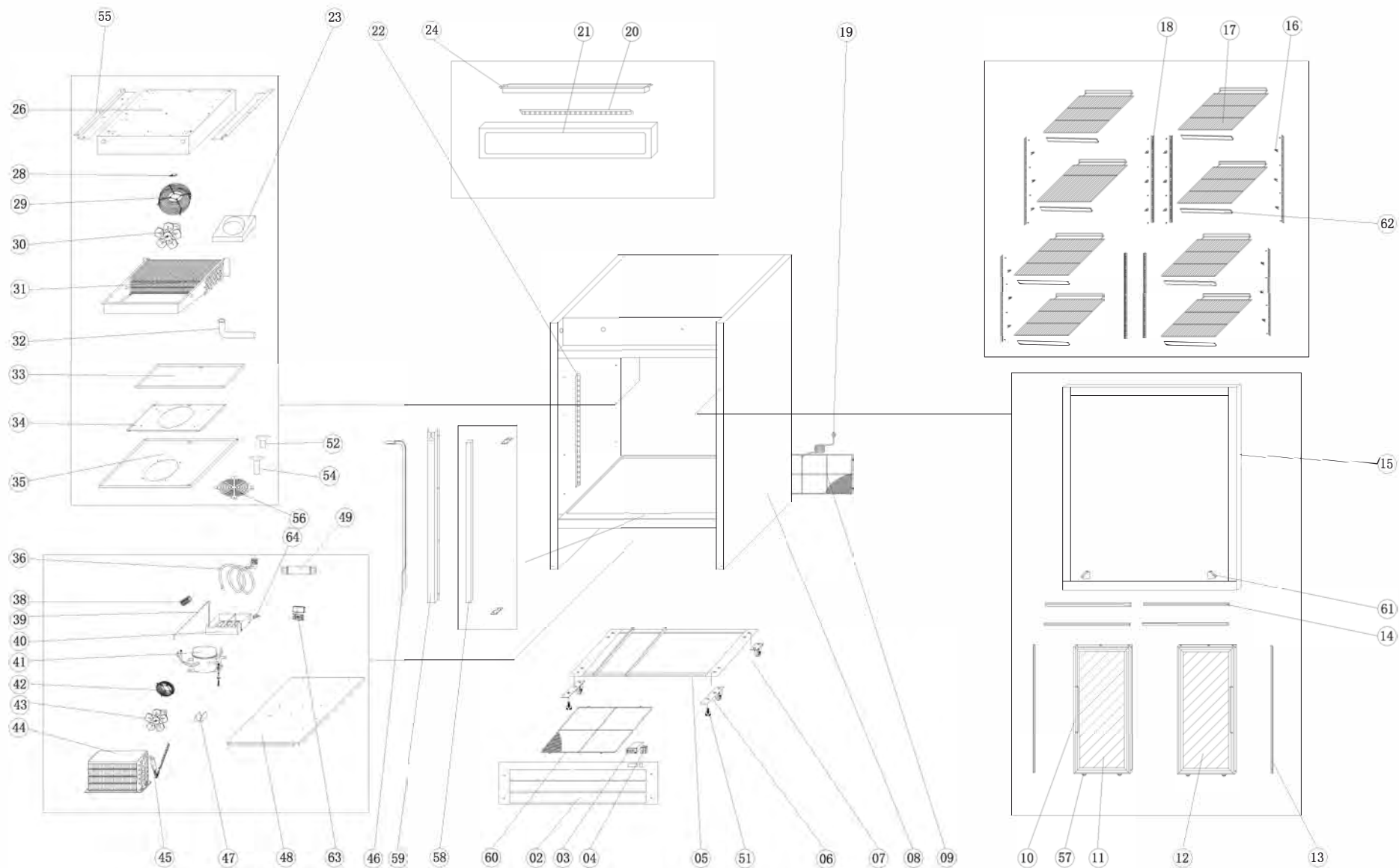
NO.	PART #	DESCRIPTION	QTY.	NO.	PART #	DESCRIPTION	QTY.
1	H00340	DOOR LOCK W/2 KEYS	2	34	N/A	EVAPORATOR FAN SUPPORT	1
2	H5114000216	FRONT PANEL	1	35	HC0160	EVAPORATOR FAN COVER	1
3	HC0219-1	TEMPERATURE CONTROL BOARD (DIXELL XW03K)	1	36	HDV0008B-1	HELIX SUCTION PIPE+CAPILLARY B	1
4	C2194692	LIGHT SWITCH	1	37	N/A	COVER ASSEMBLY	1
4	HC0219-2	TEMPERATURE CONTROL DISPLAY (DIXELL CX50)	1	38	H00215	TERMINAL BLOCK 5 POLE	1
5	N/A	SUPPORT PANEL	1	39	GHC2022	EVAPORATE PIPE	1
6	G20037	FRONT WHEEL WITH LEVEL STOP FOOT	2	40	G30014	CONDENSER DRAIN BOX	1
7	HC0381	PLASTIC COVER FOR DISPLAY	2	41	H00039F	COMPRESSOR (EM2X3125U/115VAC/R290) W/FILTER DRIER	1
8	N/A	BODY	1	41	H00228	START KIT FOR EM2X3125U	
9	H109040019	UNIT ROOM COVER	1	42	H00113-1	FAN GUARD, CONDENSER	1
10	H112010716	DOOR, LEFT, GLASS	1	43	H00110	MOTOR, CONDENSER FAN, 9W	1
11	GHC0025	GASKET, DOOR	2	44	HC0346	CONDENSER COIL	1
12	H107140020	GLASS DOOR HANDLE	2	45	H00341	FILTER DRIER	1
13	H112010717	DOOR, RIGHT, GLASS	1	46	H00303	CAPILLARY TUBE .055" ID X 118.1" L	1
14	BC1316	1" ROLLER (BACK WHEEL, FIXED)	2	47	N/A	DRIER SUPPORT	1
15	GLED002L	LED STRIP (LEFT)	2	48	N/A	CONDENSER PANEL	1
15	GLED002R	LED STRIP (RIGHT)	2	49	GHC20041	DOOR HINGE, LOWER RIGHT & LEFT	1
16	C3234860	PILASTER CLIP	32	49	G20042	DOOR HINGE, LOWER LEFT	1
17	H109020008	SHELF (16.41" X 24.33")	8	50	GLED018	LED POWER SUPPLY 24V / 40W	1
18	H00342	PILASTER	8	51	G30001	DRAIN PIPE CONNECTOR (M)	1
19	C2194684	POWER CORD, 14AWG/NEMA 5-15P	1	52	G30002	DRAIN PIPE CONNECTOR (F)	1
20	GLED016	LED LAMP	1	53	N/A	EVAPORATOR SUPPORT CHANNEL L OR R	2
21	H5114000257	LAMP COVER	1	54	G20038	LEVELING FOOT	2
22	GHC3014	EVAPORATOR AIR DUCT	1	57	H5202002999	LAMP COVER PROTECTOR	1
25	GHC20040	HINGE, DOOR, UPPER RIGHT	1	58	H00311	CHANNEL SUCTION LINE COVER	1
25	G20044	DOOR HINGE, UPPER LEFT	1	60	HC00026	CENTER MULLION	1
25	G20043	PLASTIC HINGE BUSHING	2	61	HC00112	CENTER MULLION BRACKET	2
26	N/A	EVAPORATOR SUPPORT PANEL	1	62	N/A	PANEL (NO STOCK)	1
28	BD0053-1	PROBE CLIP	1	63	H00112-1	EVAPORATOR FAN GUARD	1
29	H00112-1	FAN GUARD, EVAPORATOR, WHITE	1	64	GHC40023	LABEL SUPPORT	8
30	HC0116-1	MOTOR, EVAPORATOR FAN (IQC3608) 900 RPM	1	65	HC10015	DOOR SWITCH	2
31	HC0350R	EVAPORATOR COIL	1	66	H108140044	COVER BRACKET	1
32	H00336	DRAIN JOINT	1	66	H108140043	CONTROLLER COVER	1
33	H00143.1	EVAPORATOR DRIP PAN	1	67	N/A	DRAIN BRACKET	1



EGD-2DF-36-HC

Model EGD-2DF-36-HC

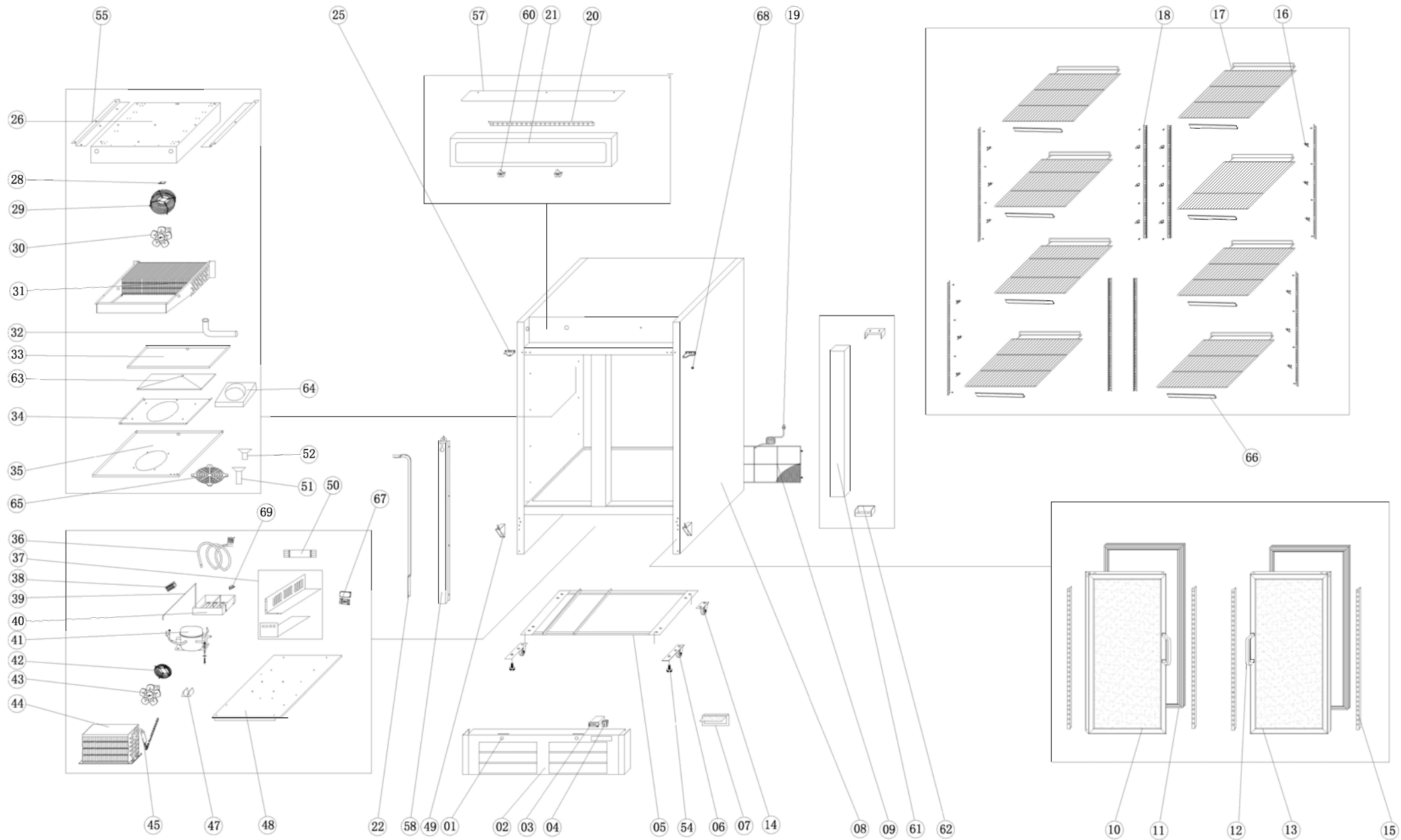
NO.	PART #	DESCRIPTION	QTY.	NO.	PART #	DESCRIPTION	QTY.
1	H00340	DOOR LOCK W/2 KEYS	2	37	N/A	COVER ASSEMBLY	1
2	H5114000216	FRONT PANEL	1	38	H00215	TERMINAL BLOCK 5 POLE	1
3	HC0219-3	TEMPERATURE CONTROL BOARD (DIXELL XW06K)	1	39	HRI2002	EVAPORATE PIPE	1
3	HC0219-2	TEMPERATURE CONTROL DISPLAY (DIXELL CX50)	1	40	C30014	CONDENSER DRAIN BOX	1
4	C2194692	LIGHT SWITCH	1	41	HC0008F	COMPRESSOR (NEU2168U/115VAC/R290) W/FILTER DRIER	1
5	G20037	FRONT WHEEL WITH LEVEL STOP FOOT	2	41	HC0008K	START KIT FOR NEU2168U	
6	BC1316	1" ROLLER (BACK WHEEL, FIXED)	2	41	HC0014F	COMPRESSOR (SCE18CNLX/115VAC/R290) W/FILTER DRIER	OPT
8	N/A	BODY	1	41	HC0014K	START KIT FOR SCE18CNLX	
9	H109040019	UNIT ROOM COVER	1	42	H00113	FAN GUARD, BLACK, - CONDENSER	2
10	G00011	DOOR, GLASS, LEFT	1	43	H00125	MOTOR, CONDENSER FAN (600 RPM)	2
11	GHC0025	GASKET, DOOR	2	44	HC0348	CONDENSER COIL (2 FANS)	1
12	G20026	GLASS DOOR HANDLE	2	45	H00341	FILTER DRIER	1
13	G00013	DOOR, GLASS RIGHT	1	46	HDV010A	VERTICAL SUCTION PIPE+CAPILLARY A	1
13	GLED002L	LED STRIP (LEFT)	2	47	N/A	DRIER SUPPORT	1
13	GLED002R	LED STRIP (RIGHT)	2	48	N/A	SUPPORT PANEL	1
15	GLED006	LED POWER SUPPLY	2	49	GHC20041	DOOR HINGE, LOWER RIGHT & LEFT	1
16	C3234860	PILASTER CLIP	32	49	G20042	DOOR HINGE, LOWER LEFT	1
17	H109020008	SHELF (16.41" X 24.33")	8	50	GLED018	LED POWER SUPPLY 24V / 40W	1
18	H00342	PILASTER	8	51	H00336	DRAIN JOINT	1
19	C2194684	POWER CORD, 14AWG/NEMA 5-15P	1	52	H00212	DRAIN PIPE HEATER	1
20	GLED016	LED LAMP	1	53	N/A	PANEL (NO STOCK)	1
21	H5114000257	LAMP COVER	1	54	G20038	LEVELING FOOT	2
22	N/A	AIR GUIDE (NO STOCK)	1	57	H5202002999	LAMP COVER PROTECTOR	1
24	N/A	SUPPORT PANEL	1	58	H00311	CHANNEL SUCTION LINE COVER	1
25	GHC20040	HINGE, DOOR, UPPER RIGHT	1	59	G30002	DRAIN PIPE CONNECTOR (F)	1
25	G20044	DOOR HINGE, UPPER LEFT	1	60	G30001	DRAIN PIPE CONNECTOR (M)	1
26	N/A	EVAPORATOR SUPPORT PANEL	1	61	N/A	EVAPORATOR SUPPORT CHANNEL L OR R	2
28	H00335	SENSOR CLIP	1	63	HC0381	PLASTIC COVER FOR DISPLAY	1
29	H00112-1	FAN GUARD, EVAPORATOR, WHITE	1	64	HC00116	CENTER MULLION	1
30	HC0116-1	MOTOR, EVAPORATOR FAN (IQC3608) 900 RPM	1	65	HC00112	CENTER MULLION BRACKET	2
31	HC0350F	EVAPORATOR COIL	1	66	H00207	FUSE, THERMAL, DEFROST HEATER	1
32	H00143.1	EVAPORATOR DRIP PAN	1	67	HC10000	DOOR SWITCH	2
33	HC0202	DEFROST HEATING ELEMENT	1	68	GHC40023	LABEL SUPPORT	8
34	GHC03921	EVAPORATOR FAN SUPPORT	1	69	H00112-1	EVAPORATOR FAN GUARD	1
35	HC0160	EVAPORATOR FAN COVER	1	70	H108140044	COVER BRACKET	1
36	HDV0014B	HELIX SUCTION PIPE+CAPILLARY B	1	70	H108140043	CONTROLLER COVER	1
37	N/A	COVER BOX	1	71	G20043	PLASTIC HINGE BUSHING	2
37	N/A	COVER BOX	1	72	N/A	DRAIN BRACKET	1



EGD-2DR-47-HC

Model EGD-2DR-47-HC

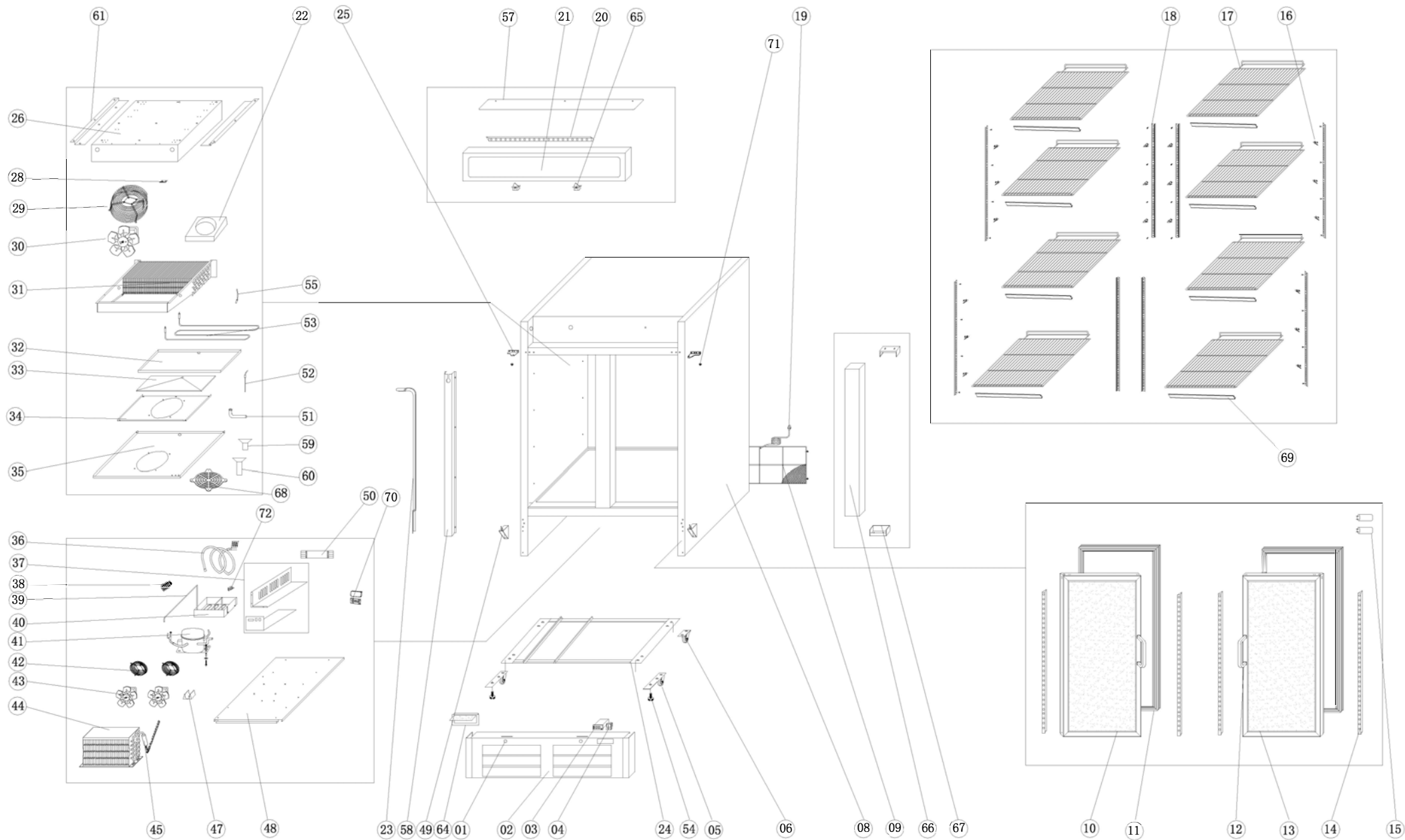
NO.	PART #	DESCRIPTION	QTY.	NO.	PART #	DESCRIPTION	QTY.
2	H5114000943	FRONT PANEL	1	34	N/A	EVAPORATOR FAN SUPPORT	1
3	HC0219-1	TEMPERATURE CONTROL BOARD (DIXELL XW03K)	1	35	HC0160	EVAPORATOR FAN COVER	1
3	HC0219-2	TEMPERATURE CONTROL DISPLAY (DIXELL CX50)	1	36	HDV0008B-1	HELIX SUCTION PIPE+CAPILLARY B	1
4	C2194692	LIGHT SWITCH	1	37	N/A	COVER ASSEMBLY	1
5	N/A	SUPPORT PANEL	1	38	H00215	TERMINAL BLOCK 5 POLE	1
6	G20037	FRONT WHEEL WITH LEVEL STOP FOOT	2	39	GHC2022	DISCHARGE PIPE	1
7	BC1316	1" ROLLER (BACK WHEEL, FIXED)	2	40	G30014	CONDENSER DRAIN BOX	1
8	N/A	BODY	1	41	H00039F	COMPRESSOR (EM2X3125U/115VAC/R290) W/FILTER DRIER	1
9	G20034	UNIT ROOM COVER	1	41	H00228	START KIT FOR EM2X3125U	
10	BC30908	GLASS DOOR HANDLE	2	42	H00113-1	FAN GUARD, CONDENSER	1
11	GHC0003	DOOR, LEFT, GLASS, SLIDING	1	43	H00110	MOTOR, CONDENSER FAN, 9W	1
12	GHC0004	DOOR, RIGHT, GLASS, SLIDING	1	44	HC0346	CONDENSER COIL	1
13	GHC0024	GASKET, DOOR	2	45	H00341	FILTER DRIER	1
14	G30018	SS SLIDING DOOR TRACK	4	46	H00303	CAPILLARY TUBE .055" ID X 118.1" L	1
15	G30022	DOOR FRAME	1	47	N/A	DRIER SUPPORT	1
16	C3234860	PILASTER CLIP	32	48	N/A	CONDENSER PANEL	1
17	G20036	SHELF (24" X 24.2")	8	49	GLED003	LED POWER SUPPLY 24V 21.6W	1
18	H00342	PILASTER	8	51	G20038	LEVELING FOOT	2
19	C2194684	POWER CORD, 14AWG/NEMA 5-15P	1	52	G30002	DRAIN PIPE CONNECTOR (F)	1
20	GLED017	LED LAMP	1	53	N/A	EVAPORATOR SUPPORT CHANNEL L OR R	1
21	GHC60147	LAMP COVER	1	54	G30001	DRAIN PIPE CONNECTOR (M)	1
22	GLED007	LED STRIP	3	55	N/A	EVAPORATOR SUPPORT CHANNEL L OR R	1
23	GHC3014	EVAPORATOR AIR DUCT	1	56	H00112-1	EVAPORATOR FAN GUARD	1
24	N/A	LAMP COVER SUPPORT	1	57	H107070096	DOOR PULLEY	4
26	N/A	EVAPORATOR SUPPORT PANEL	1	58	HC00027	CENTER MULLION	1
27	BD0053	PROBE BRACKET	1	59	H00311	CHANNEL SUCTION LINE COVER	1
28	BD0053-1	PROBE CLIP	1	60	N/A	CONDENSER GUARD GRILLS	1
29	H00112-1	FAN GUARD, EVAPORATOR, WHITE	1	61	G30021	DOOR STOPPER	2
30	HC0116-1	MOTOR, EVAPORATOR FAN (IQC3608) 900 RPM	1	62	GHC40018	LABEL SUPPORT	8
31	HC0350R	EVAPORATOR COIL	1	63	H108140044	COVER BRACKET	1
32	H00336	DRAIN JOINT	1	63	H108140043	CONTROLLER COVER	1
33	H00143.1	EVAPORATOR DRIP PAN	1	64	N/A	DRAIN BRACKET	1



EGD-2DR-48-HC

Model EGD-2DR-48-HC

NO.	PART #	DESCRIPTION	QTY.	NO.	PART #	DESCRIPTION	QTY.
1	H00340	DOOR LOCK W/2 KEYS	2	35	HC0160	EVAPORATOR FAN COVER	1
2	H5114000671	FRONT PANEL	1	36	HDV0008B-1	HELIX SUCTION PIPE+CAPILLARY B	1
3	HC0219-1	TEMPERATURE CONTROL BOARD (DIXELL XW03K)	1	37	N/A	COVER ASSEMBLY	1
3	HC0219-2	TEMPERATURE CONTROL DISPLAY (DIXELL CX50)	1	38	H00215	TERMINAL BLOCK 5 POLE	1
4	C2194692	LIGHT SWITCH	1	39	GHC2022	EVAPORATE PIPE	1
5	N/A	SUPPORT PANEL	1	40	G30014	CONDENSER DRAIN BOX	1
6	G20037	FRONT WHEEL WITH LEVEL STOP FOOT	2	41	H00039F	COMPRESSOR (EM2X3125U/115VAC/R290) W/FILTER DRIER	1
7	HC0381	PLASTIC COVER FOR DISPLAY	2	41	H00228	START KIT FOR EM2X3125U	
8	N/A	BODY	1	42	H00113-1	FAN GUARD, CONDENSER	1
9	H00314	UNIT ROOM COVER	1	43	H00110	MOTOR, CONDENSER FAN, 9W	1
10	GHC0005	DOOR, LEFT, GLASS	1	44	HC0346	CONDENSER COIL	1
11	GHC0023	GASKET, DOOR	2	45	H00341	FILTER DRIER	1
12	H107140020	GLASS DOOR HANDLE	2	47	N/A	DRIER SUPPORT	1
13	GHC0006	DOOR, RIGHT, GLASS	1	48	N/A	CONDENSER PANEL	1
14	BC1316	1" ROLLER (BACK WHEEL, FIXED)	2	49	GHC20041	DOOR HINGE, LOWER RIGHT & LEFT	2
15	GLED002L	LED STRIP (LEFT)	2	50	GLED003	LED POWER SUPPLY 24V 21.6W	1
15	GLED002R	LED STRIP (RIGHT)	2	51	G30001	DRAIN PIPE CONNECTOR (M)	1
16	C3234860	PILASTER CLIP	32	52	G30002	DRAIN PIPE CONNECTOR (F)	1
17	H00308-G	SHELF (19.68" X 24.33")	8	53	N/A	EVAPORATOR SUPPORT CHANNEL L OR R	1
18	H00342	PILASTER	8	54	G20038	LEVELING FOOT	2
19	C2194684	POWER CORD, 14AWG/NEMA 5-15P	1	55	N/A	EVAPORATOR SUPPORT CHANNEL L OR R	1
20	GLED017	LED LAMP	1	57	H5202003001	LAMP COVER PROTECTOR	1
21	H5114000672	LAMP COVER	1	58	H00311	CHANNEL SUCTION LINE COVER	1
22	H00303	CAPILLARY TUBE .055" ID X 118.1" L	1	60	HC10015	DOOR SWITCH	2
25	GHC20040	HINGE, DOOR, UPPER RIGHT	2	61	HC00026	CENTER MULLION	1
25	G20044	DOOR HINGE, UPPER LEFT	1	62	HC00112	CENTER MULLION BRACKET	2
26	N/A	EVAPORATOR SUPPORT PANEL	1	63	N/A	PANEL (NO STOCK)	1
28	BD0053-1	PROBE CLIP	1	64	GHC3014	EVAPORATOR AIR DUCT	1
29	H00112-1	FAN GUARD, EVAPORATOR, WHITE	1	65	H00112-1	EVAPORATOR FAN GUARD	1
30	HC0116-1	MOTOR, EVAPORATOR FAN (IQC3608) 900 RPM	1	66	GHC40018	LABEL SUPPORT	4
31	HC0350R	EVAPORATOR COIL	1	67	H108140044	COVER BRACKET	1
32	H00336	DRAIN JOINT	1	67	H108140043	CONTROLLER COVER	1
33	H00143.1	EVAPORATOR DRIP PAN	1	68	G20043	PLASTIC HINGE BUSHING	2
34	N/A	EVAPORATOR FAN SUPPORT	1	69	N/A	DRAIN BRACKET	1



EGD-2DF-48-HC

Model EGD-2DF-48-HC

NO.	PART #	DESCRIPTION	QTY.	NO.	PART #	DESCRIPTION	QTY.
1	H00340	DOOR LOCK W/2 KEYS	2	37	N/A	COVER BOX	1
2	H5114000671	FRONT PANEL	1	37	N/A	COVER ASSEMBLY	1
3	HC0219-3	TEMPERATURE CONTROL BOARD (DIXELL XW06K)	1	38	H00215	TERMINAL BLOCK 5 POLE	1
3	HC0219-2	TEMPERATURE CONTROL DISPLAY (DIXELL CX50)	1	39	HRI2002	EVAPORATE PIPE	1
4	C2194692	LIGHT SWITCH	1	40	C30014	CONDENSER DRAIN BOX	1
5	G20037	FRONT WHEEL WITH LEVEL STOP FOOT	2	41	HC0006F	COMPRESSOR (NT2180UV/115VAC/R290) W/FILTER DRIER	1
6	BC1316	1" ROLLER (BACK WHEEL, FIXED)	2	41	HC0006K	START KIT FOR NT2180UV	
8	N/A	BODY	1	41	HC0014F	COMPRESSOR (SCE18CNLX/115VAC/R290) W/FILTER DRIER	OPT
9	H00314	UNIT ROOM COVER	1	41	HC0014K	START KIT FOR SCE18CNLX	
10	G00012	DOOR, GLASS, LEFT	1	42	H00123	FAN GUARD BLACK, - CONDENSER	2
11	GHC0023	GASKET, DOOR	2	43	H00125	MOTOR, CONDENSER FAN (600 RPM)	2
12	G20026	GLASS DOOR HANDLE	2	44	HC0348	CONDENSER COIL (2 FANS)	1
13	G00010	DOOR, GLASS, RIGHT	1	45	H00341	FILTER DRIER	1
14	GLED002L	LED STRIP (LEFT)	2	47	N/A	DRIER SUPPORT	1
14	GLED002R	LED STRIP (RIGHT)	2	48	N/A	SUPPORT PANEL	1
15	GLED006	LED POWER SUPPLY	2	49	GHC20041	DOOR HINGE, LOWER RIGHT & LEFT	1
16	C3234860	PILASTER CLIP	32	49	G20042	DOOR HINGE, LOWER LEFT	1
17	H00308-G	SHELF (19.68" X 24.33")	8	50	GLED018	LED POWER SUPPLY 24V / 40W	1
18	H00342	PILASTER	8	51	H00336	DRAIN JOINT	1
19	C2194684	POWER CORD, 14AWG/NEMA 5-15P	1	52	H00212	DRAIN PIPE HEATER	1
20	GLED017	LED LAMP	1	53	HC0202	DEFROST HEATING ELEMENT	1
21	H5114000672	LAMP COVER	1	54	G20038	LEVELING FOOT	2
22	N/A	AIR GUIDE (NO STOCK)	1	55	H00207	FUSE, THERMAL, DEFROST HEATER	1
23	HDV010A	VERTICAL SUCTION PIPE+CAPILLARY A	1	57	H5202003001	LAMP COVER PROTECTOR	1
24	N/A	SUPPORT PANEL	1	58	H00311	CHANNEL SUCTION LINE COVER	1
25	GHC20040	HINGE, DOOR, UPPER RIGHT	1	59	G30002	DRAIN PIPE CONNECTOR (F)	1
25	G20044	DOOR HINGE, UPPER LEFT	1	60	G30001	DRAIN PIPE CONNECTOR (M)	1
26	N/A	EVAPORATOR SUPPORT PANEL	1	61	N/A	EVAPORATOR SUPPORT CHANNEL L OR R	2
28	H00335	SENSOR CLIP	1	64	HC0381	PLASTIC COVER FOR DISPLAY	1
29	H00112-1	FAN GUARD, EVAPORATOR, WHITE	1	65	HC10015	DOOR SWITCH	2
30	HC0116-1	MOTOR, EVAPORATOR FAN (IQC3608) 900 RPM	1	66	HC00116	CENTER MULLION	1
31	HC0350F	EVAPORATOR COIL	1	67	HC00112	CENTER MULLION BRACKET	2
32	H00143.1	EVAPORATOR DRIP PAN	1	68	H00112-1	EVAPORATOR FAN GUARD	1
33	N/A	PANEL (NO STOCK)	1	69	GHC40018	LABEL SUPPORT	8
34	N/A	EVAPORATOR FAN SUPPORT	1	70	H108140044	COVER BRACKET	1
35	HC0160	EVAPORATOR FAN COVER	1	70	H108140043	CONTROLLER COVER	1
36	HDV0014B	HELIX SUCTION PIPE+CAPILLARY B	1	71	G20043	PLASTIC HINGE BUSHING	2
37	N/A	COVER BOX	1	72	N/A	DRAIN BRACKET	1



**ENTRÉE
REFRIGERATED & FREEZER
MERCHANDISER
PARTS LIST**

FOR PARTS CALL 704-900-2068, OPTION #2
FORM # EGD-HC REV: 20210216