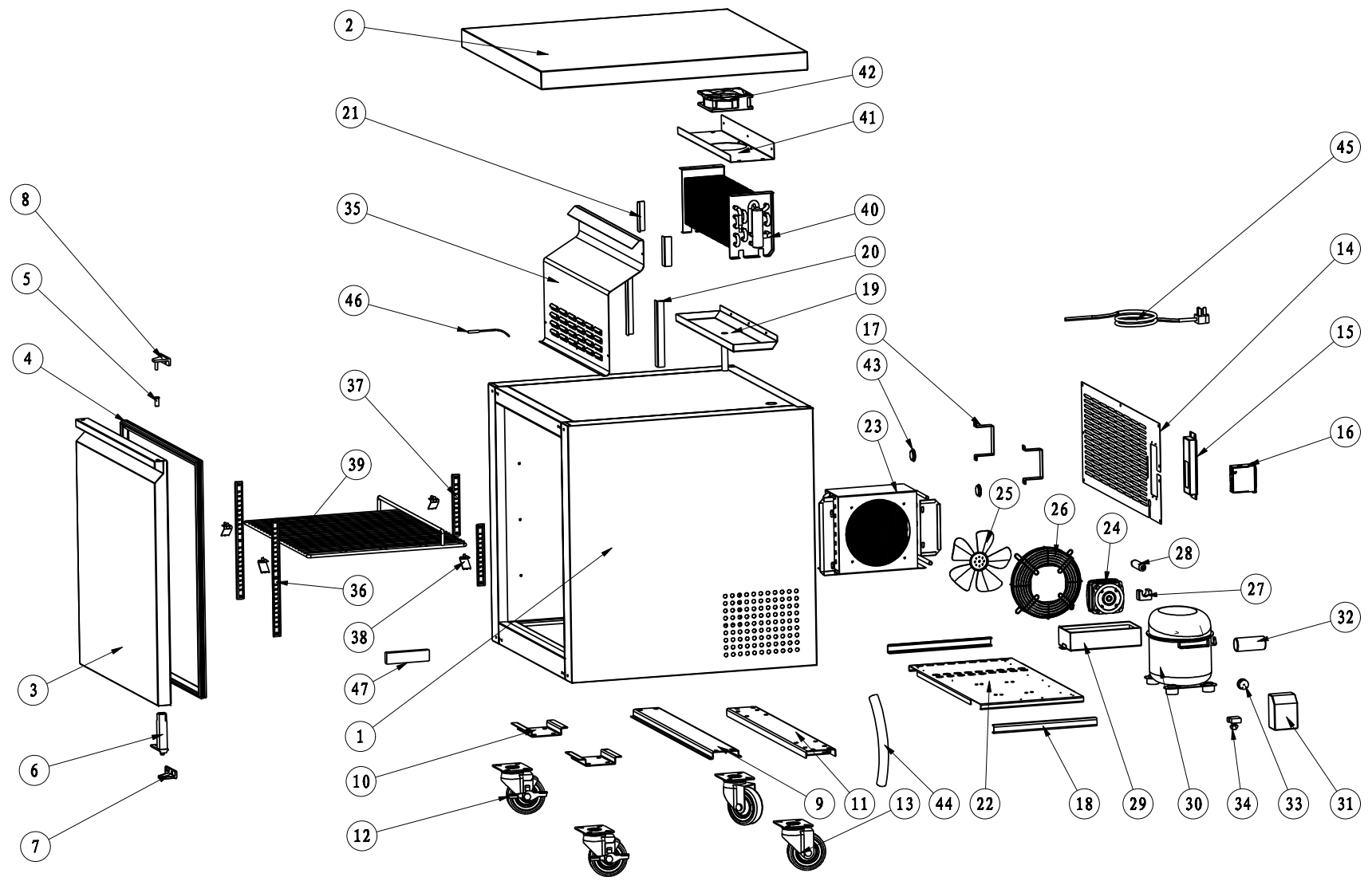




PART LIST FOR  
UNDER COUNTER UNITS  
EUR27X, EUR47X, EUR60X, EUR72X, EUF27X,  
EUF47X



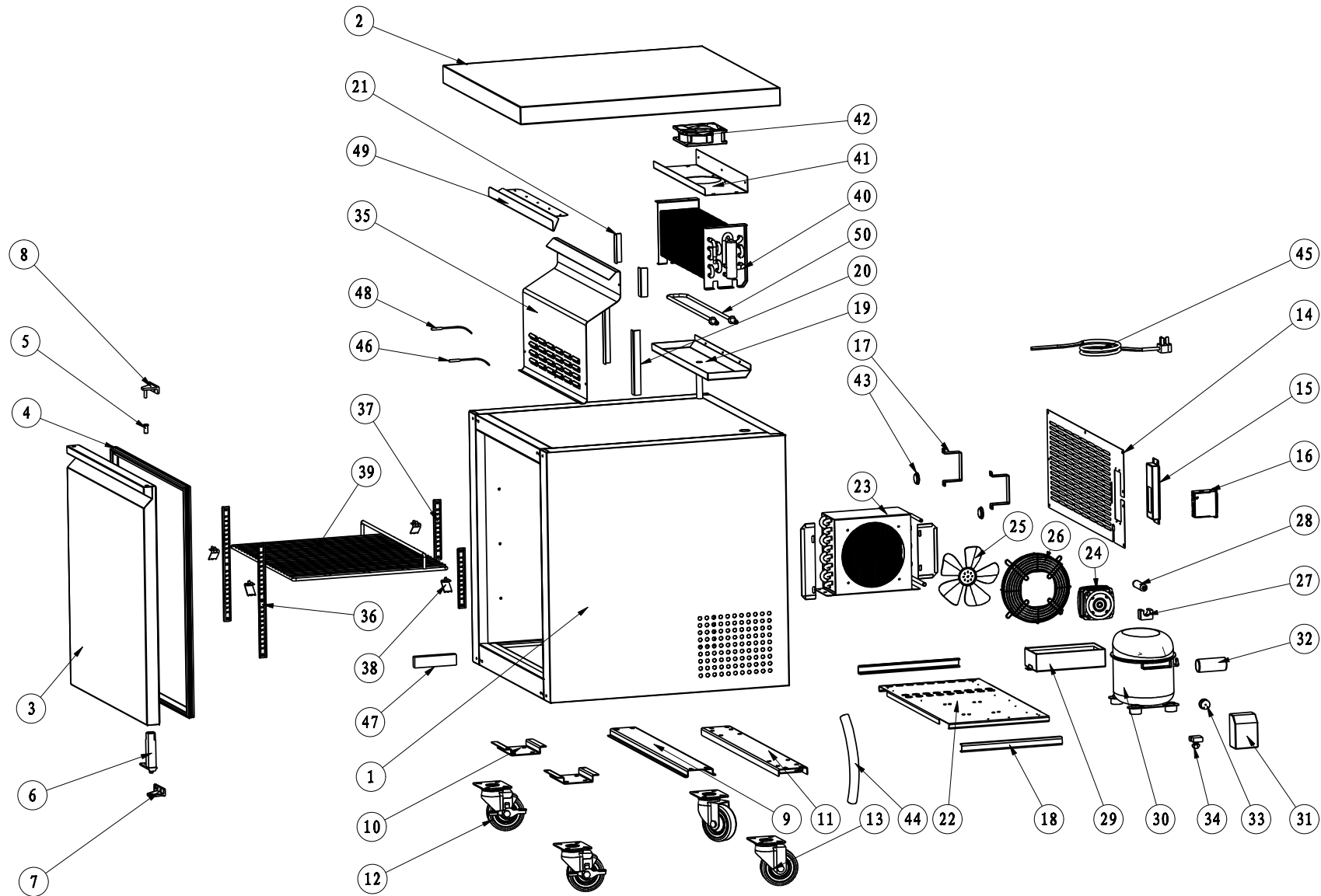
For Parts Call 704-900-2068, Option #2



**EUR27X**

## Part Listing for EUR27X

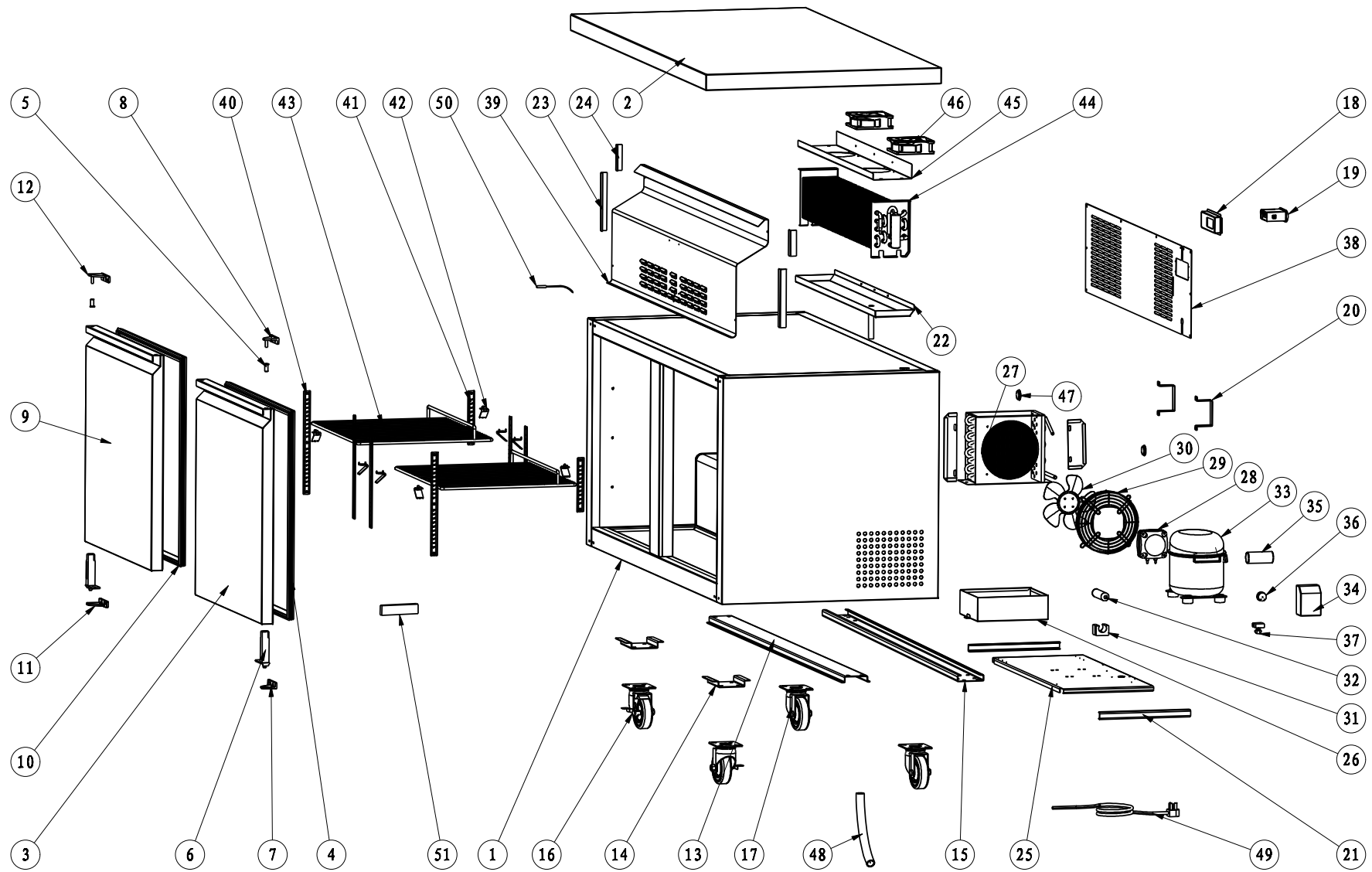
NO.	Part #	Description	QTY	NO.	Part #	Description	QTY
1	X2199001798	CABINET	1	24	X17701000626	CONDENSER FAN MOTOR	1
2	X2199001738	TOP BOARD	1	25	X16381738052	BLADE OF CONDENSER FAN MOTOR	1
3	X2199001799	DOOR	1	26	X22726010001	CONDENSER FAN COVER	1
4	X16401638638	GASKET	1	27	X16369690257	FILTER FIXER	1
5	XX-HA0326	AXIS COVER	1	28	X17111250198	FILTER	1
6	X12517240002	SPRING HINGE BOARD	1	29	X16316130005	OUTER DRAIN PAN	1
7	X12517140005	BOTTOM RIGHT HINGE	1	30	X17202163113	COMPRESSOR (EM2X3113U/115V/60HZ/R290)	1
8	X12517140004	UPPER RIGHT HINGE	1	31	STARTKIT EM2X3113U	START KIT, INCLUDED ITEMS 32, 33, & 34	*
9	X2199001740	CASTER SUPPORT B	1	32	X13556094	START CAPACITOR	1
10	X2199001741	CASTER SUPPORT C	2	33	X13634257	OVERLOAD PROTECTOR	1
11	X2199001742	CASTER SUPPORT A	1	34	X13650051	STARTER	1
12	X12533070420	4" CASTER WITH BRAKE	2	35	X2199001801	EVAPORATOR COVER	1
13	X12533040420	4" CASTER WITHOUT BRAKE	2	36	X2199001321	K STRIP-3 HOLES	2
14	X2199001800	BACK GRILL	1	37	X2199001480	K STRIP-2 HOLES	2
15	X2199001473	THERMOSTAT INSTALLATION BOARD	1	38	X5302000003	K CLIP	4
16	X17505200002	THERMOSTAT	1	39	X12502114555	SHELF	1
17	X2199001472	STAND OFF BRACKET	2	40	X17405050403	EVAPORATOR	1
18	X2199001478	COMPRESSOR UNIT TRACK	2	41	X2199001748	FAN MOTOR INSTALLATION BOARD	1
19	X2199001744	INNER DRAIN PAN	1	42	X1003001114715	EVAPORATOR FAN MOTOR	1
20	X2199001745	EVAPORATOR COVER STICKER	2	43	X16352020002	FOAMING HOLE COVER	2
21	X2199001746	EVAPORATOR COVER STICKER	2	44	X15809080016	DRAIN HOSE	1
22	X2199001479	COMPRESSOR UNIT INSTALLATION BOARD	1	45	X17664640051	POWER CORD	1
23	X17306100231	CONDENSER	1	46	X17649490013	TEMPERATURE SENSOR OF CABINET INSIDE	1
				47	X17799990002	THERMOMETER	1



**EUF27X**

## Part Listing for EUF27X

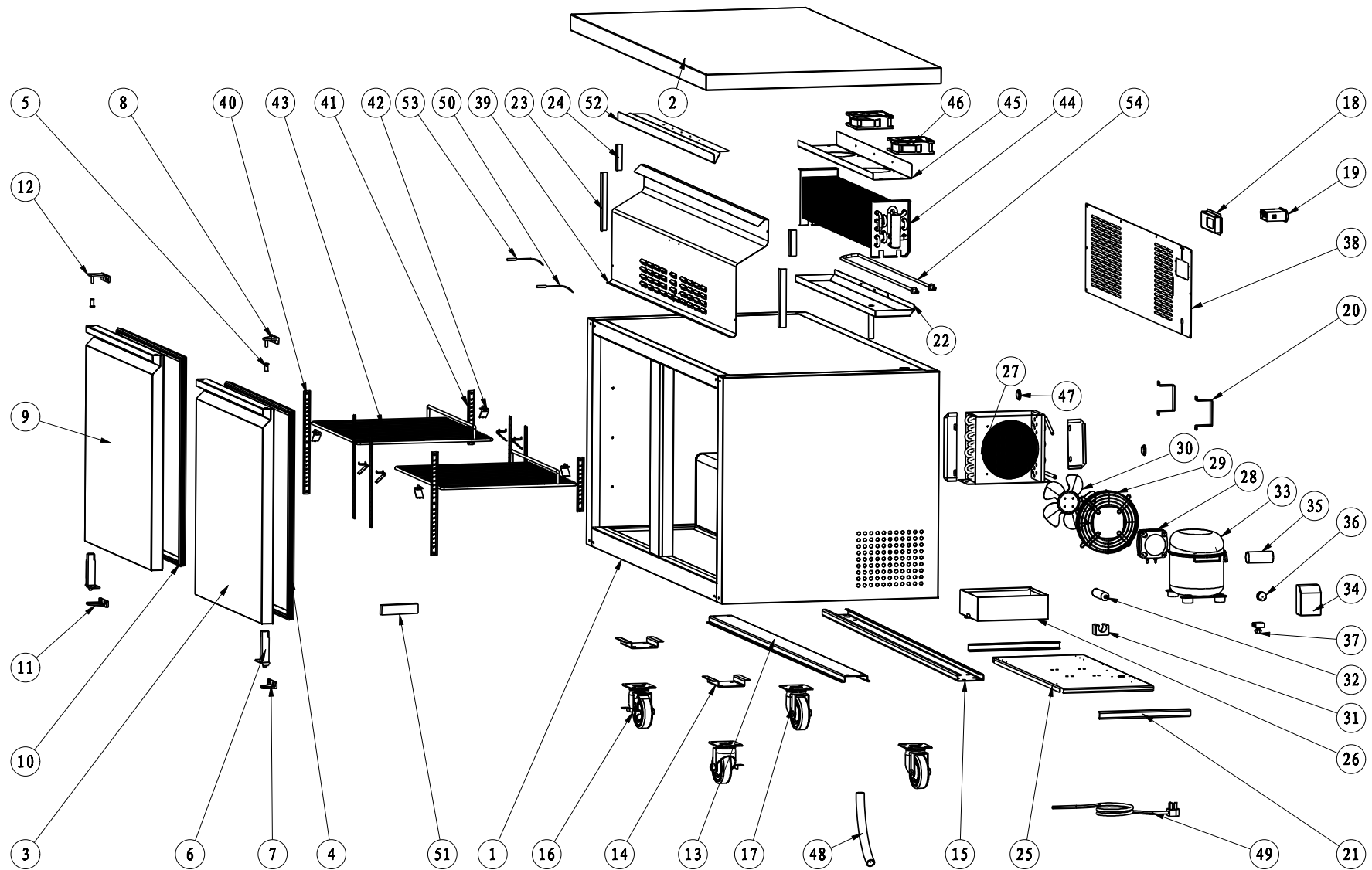
NO.	PART #	DESCRIPTION	QTY	NO.	PART #	DESCRIPTION	QTY
1	X2199001798	CABINET	1	26	X22726010001	CONDENSER FAN COVER	1
2	X2199001738	TOP BOARD	1	27	X16369690257	FILTER FIXER	1
3	X2199001802	DOOR	1	28	X17111250198	FILTER	1
4	X16401638638	GASKET	1	29	X16316130005	OUTER DRAIN PAN	1
5	XX-HA0326	AXIS COVER	1	30	X17202163117	COMPRESSOR	1
6	X12517240002	SPRING HINGE BOARD	1	31	XSTARTKIT EM2X3117U	START KIT, INCLUDED ITEMS 32, 33 & 34	1
7	X12517140005	BOTTOM RIGHT HINGE	1	32	X13556094	START CAPACITOR	1
8	X12517140004	UPPER RIGHT HINGE	1	33	X13634251	OVERLOAD PROTECTOR	1
9	X2199001740	CASTER SUPPORT B	1	34	X13650051	STARTER	1
10	X2199001741	CASTER SUPPORT C	2	35	X2199001801	EVAPORATOR COVER	1
11	X2199001742	CASTER SUPPORT A	1	36	X2199001321	K STRIP-3 HOLES	2
12	X12533070420	4" CASTER WITH BRAKE	2	37	X2199001480	K STRIP-2 HOLES	2
13	X12533040420	4" CASTER WITHOUT BRAKE	2	38	X5302000003	K CLIP	4
14	X2199001800	BACK GRILL	1	39	X12502114555	SHELF	1
15	X2199001473	THERMOSTAT INSTALLATION BOARD	1	40	X17405050403	EVAPORATOR	1
16	X17709030007	THERMOSTAT	1	41	X2199001748	FAN MOTOR INSTALLATION BOARD	1
17	X2199001472	STAND OFF BRACKET	2	42	X1003001114715	EVAPORATOR FAN MOTOR	1
18	X2199001478	COMPRESSOR UNIT TRACK	2	43	X16352020002	FOAMING HOLE COVER	2
19	X2199001744	INNER DRAIN PAN	1	44	X15809080016	DRAIN HOSE	1
20	X2199001745	EVAPORATOR COVER STICKER	2	45	X17664640051	POWER CORD	1
21	X2199001746	EVAPORATOR COVER STICKER	2	46	X17649490013	TEMPERATURE SENSOR OF CABINET INSIDE	1
22	X2199001479	COMPRESSOR UNIT INSTALLATION BOARD	1	47	X17799990002	THERMOMETER	1
23	X17303080202	CONDENSER	1	48	X17649490012	TEMPERATURE SENSOR OF CABINET INSIDE	1
24	X17701000626	CONDENSER FAN MOTOR	1	49	X2199001750	AIR FLUE BOARD	1
25	X16381738052	BLADE OF CONDENSER FAN MOTOR	1	50	X17738230090	DEFROST HEATER	1



**EUR47X**

## Part Listing for EUR47X

NO.	PART #	DESCRIPTION	QTY	NO.	PART #	DESCRIPTION	QTY
1	X2199001804	CABINET	1	26	X16316130008	OUTER DRAIN PAN	1
2	X2199001765	TOP BOARD	1	27	X17306100281	CONDENSER	1
3	X2199001805	RIGHT DOOR	1	28	X17701000626	CONDENSER FAN MOTOR	1
4	X16401547635	GASKET	1	29	X22726010001	CONDENSER FAN COVER	1
5	XX-HA0326	AXIS COVER	2	30	X16381738052	BLADE OF CONDENSER FAN MOTOR	1
6	X12517240002	SPRING HINGE BOARD	2	31	X16369690257	FILTER FIXER	1
7	X12517140005	BOTTOM RIGHT HINGE	1	32	X17111250198	FILTER	1
8	X12517140004	UPPER RIGHT HINGE	1	33	X17202163117	COMPRESSOR (EM2X3117U/115V/60HZ/R290)	1
9	X2199001806	LEFT DOOR	1	34	STARTKIT EM2X3117U	START KIT, INCLUDED ITEMS 35, 36 & 37	*
10	X16401547635	GASKET	1	35	X13556094	START CAPACITOR	1
11	X12517140003	LEFT BOTTOM HINGE	1	36	X13634251	OVERLOAD PROTECTOR	1
12	X12517140002	UPPER LEFT HINGE	1	37	X13650051	STARTER	1
13	X2199001768	CASTOR SUPPORT B	1	38	X2199001807	BACK GRILL	1
14	X2199001741	CASTOR SUPPORT C	1	39	X2199001808	EVAPORATOR COVER	1
15	X2199001769	CASTOR SUPPORT A	1	40	X2199001321	K STRIP-3 HOLES	4
16	X12533070420	4" CASTOR WITH BRAKE	2	41	X2199001480	K STRIP-2 HOLES	4
17	X12533040420	4" CASTOR	2	42	X5302000003	K CLIP	8
18	X2199001473	THERMOSTAT INSTALLATION BOARD	1	43	X12502114352	SHELF	2
19	X17505200002	THERMOSTAT	1	44	X17405050798	EVAPORATOR	1
20	X2199001472	STAND OFF BRACKET	2	45	X2199001773	FAN MOTOR INSTALLATION BOARD	1
21	X2199001478	COMPRESSOR UNIT TRACK	2	46	X1003001114715	EVAPORATOR FAN MOTOR	2
22	X2199001770	INNER DRAIN PAN	1	47	X16352020002	FOAMING HOLE COVER	2
23	X2199001745	EVAPORATOR COVER STICKER	2	48	X15809080016	DRAIN HOSE	1
24	X2199001746	EVAPORATOR COVER STICKER	2	49	X17664640051	POWER CORD	1
25	X2199001522	COMPRESSOR UNIT INSTALLATION BOARD	1	50	X17649490013	TEMPERATURE SENSOR OF CABINET INSIDE	1
				51	X17799990002	THERMOMETER	1

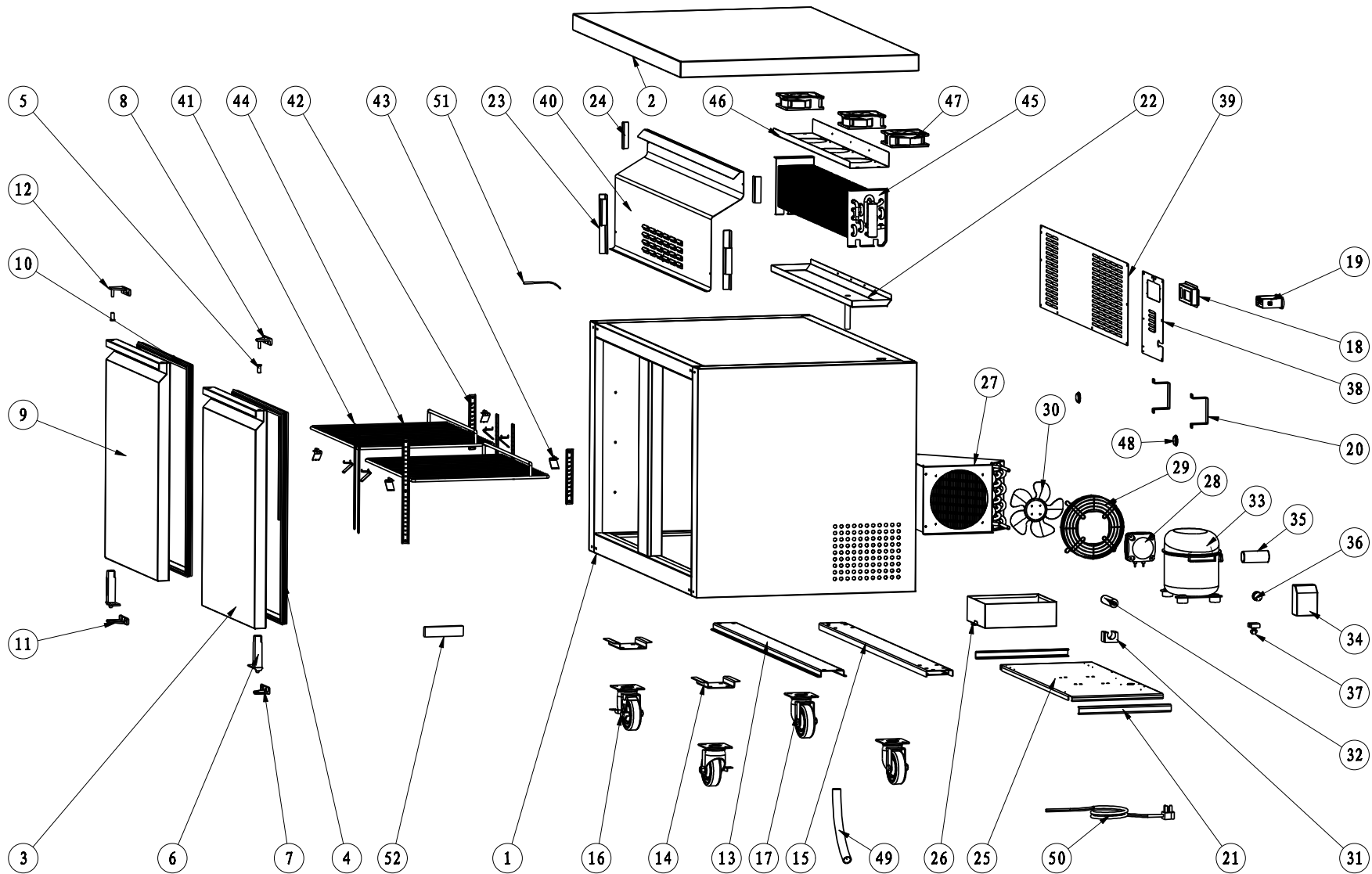


**EUF47X**



## Part Listing for EUF47X

NO.	PART #	DESCRIPTION	QTY	NO.	PART #	DESCRIPTION	QTY
1	X2199001804	CABINET	1	28	X17701000626	CONDENSER FAN MOTOR	1
2	X2199001765	TOP BOARD	1	29	X22726010001	CONDENSER FAN COVER	1
3	X2199001809	RIGHT DOOR	1	30	X16381738052	BLADE OF CONDENSER FAN MOTOR	1
4	X16401547635	GASKET	1	31	X16369690257	FILTER FIXER	1
5	XX-HA0326	AXIS COVER	2	32	X17111250198	FILTER	1
6	X12517240002	SPRING HINGE BOARD	2	33	X17202163125	COMPRESSOR (EM2X3125U/110V/R290)	1
7	X12517140005	BOTTOM RIGHT HINGE	1	34	XSTARTKIT EM2X3125U	START KIT, INCLUDES ITEM 35, 36, & 37	*
8	X12517140004	UPPER RIGHT HINGE	1	35	X13556094	START CAPACITOR	1
9	X2199001810	LEFT DOOR	1	36	X13634237	OVERLOAD PROTECTOR	1
10	X16401547635	GASKET	1	37	X13650051	STARTER	1
11	X12517140003	LEFT BOTTOM HINGE	1	38	X2199001807	BACK GRILL	1
12	X12517140002	UPPER LEFT HINGE	1	39	X2199001808	EVAPORATOR COVER	1
13	X2199001768	CASTOR SUPPORT B	1	40	X2199001321	K STRIP-3 HOLES	4
14	X2199001741	CASTOR SUPPORT C	1	41	X2199001480	K STRIP-2 HOLES	4
15	X2199001769	CASTOR SUPPORT A	1	42	X5302000003	K CLIP	8
16	X12533070420	4" CASTOR WITH BRAKE	2	43	X12502114352	SHELF	2
17	X12533040420	4" CASTOR	2	44	X17405050798	EVAPORATOR	1
18	X2199001473	THERMOSTAT INSTALLATION BOARD	1	45	X2199001773	FAN MOTOR INSTALLATION BOARD	1
19	X17709030007	THERMOSTAT	1	46	X1003001114715	EVAPORATOR FAN MOTOR	2
20	X2199001472	STAND OFF BRACKET	2	47	X16352020002	FOAMING HOLE COVER	2
21	X2199001478	COMPRESSOR UNIT TRACK	2	48	X15809080016	DRAIN HOSE	1
22	X2199001770	INNER DRAIN PAN	1	49	X17664640051	POWER CORD	1
23	X2199001745	EVAPORATOR COVER STICKER	2	50	X17649490013	TEMPERATURE SENSOR OF CABINET INSIDE	1
24	X2199001746	EVAPORATOR COVER STICKER	2	51	X17799990002	THERMOMETER	1
25	X2199001522	COMPRESSOR UNIT INSTALLATION BOARD	1	52	X2199001776	AIR FLUE BOARD	1
26	X16316130008	OUTER DRAIN PAN	1	53	X17649490012	TEMPERATURE SENSOR OF CABINET INSIDE2	1
27	X17303080201	CONDENSER	1	54	X17738230069	DEFROST HEATER	1

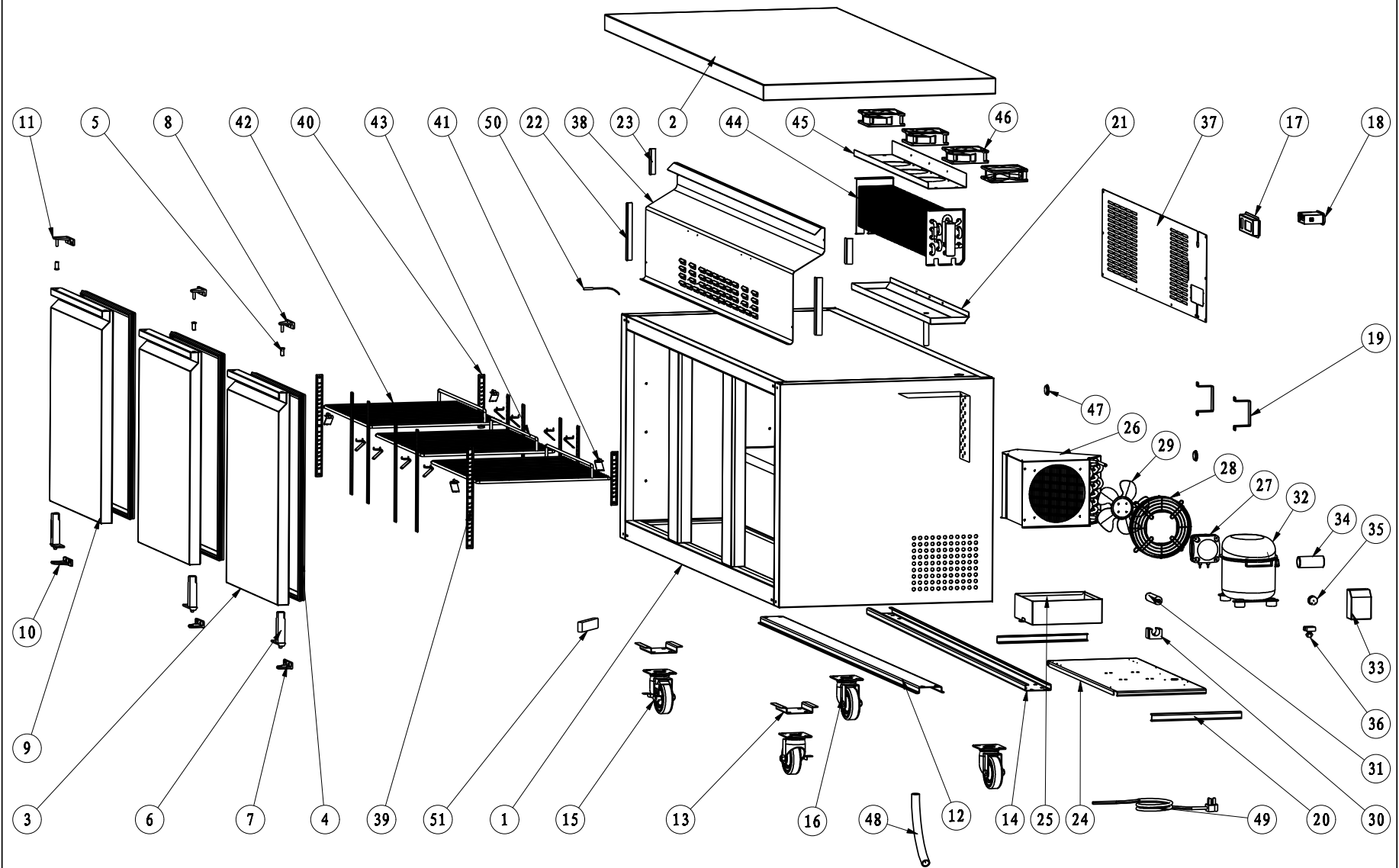


**EUR60X**

## Part Listing for EUR60X

NO.	PART #	DESCRIPTION	QTY
1	X2199001812	CABINET	1
2	X2199001778	TOP BOARD	1
3	X2199001813	RIGHT DOOR	1
4	X16401635720	GASKET	1
5	XX-HA0326	AXIS COVER	2
6	X12517240002	SPRING HINGE BOARD	2
7	X12517140005	BOTTOM RIGHT HINGE	1
8	X12517140004	UPPER RIGHT HINGE	1
9	X2199001814	LEFT DOOR	1
10	X16401635720	GASKET	1
11	X12517140003	LEFT BOTTOM HINGE	1
12	X12517140002	UPPER LEFT HINGE	1
13	X2199001781	CASTOR SUPPORT B	1
14	X2199001741	CASTOR SUPPORT C	1
15	X2199001782	CASTOR SUPPORT A	1
16	X12533070420	4" CASTOR WITH BRAKE	2
17	X12533040420	4" CASTOR	2
18	X2199001473	THERMOSTAT INSTALLATION BOARD	1
19	X17505200002	THERMOSTAT	1
20	X2199001472	STAND OFF BRACKET	2
21	X2199001478	COMPRESSOR UNIT TRACK	2
22	X2199001783	INNER DRAIN PAN	1
23	X2199001745	EVAPORATOR COVER STICKER	2
24	X2199001746	EVAPORATOR COVER STICKER	2
25	X2199001522	COMPRESSOR UNIT INSTALLATION BOARD	1
26	X16316130008	OUTER DRAIN PAN	1

NO.	PART #	DESCRIPTION	QTY
27	X17304080270	CONDENSER	1
28	X17701000626	CONDENSER FAN MOTOR	1
29	X22726010001	CONDENSER FAN COVER	1
30	X16381738052	BLADE OF CONDENSER FAN MOTOR	1
31	X16369690257	FILTER FIXER	1
32	X17111250198	FILTER	1
33	X17202163117	COMPRESSOR (EM2X3117U/115V/60HZ/R290)	1
34	STARTKIT EM2X3117U	START KIT INCLUDES ITEMS 35, 36, & 37	1
35	X13556094	START CAPACITOR	1
36	X13634251	OVERLOAD PROTECTOR	1
37	X13650051	STARTER	1
38	X2199001784	SCL1_BACK_GRILL_METALFRIO	1
39	X2199001815	BACK GRILL	1
40	X2199001816	EVAPORATOR COVER	1
41	X2199001321	K STRIP-3 HOLES	4
42	X2199001480	K STRIP-2 HOLES	4
43	X5302000003	K CLIP	8
44	X12502434679	SHELF	2
45	X17405050882	EVAPORATOR	1
46	X2199001787	FAN MOTOR INSTALLATION BOARD	1
47	X1003001114715	EVAPORATOR FAN MOTOR	3
48	X16352020002	FOAMING HOLE COVER	2
49	X15809080016	DRAIN HOSE	1
50	X17664640051	POWER CORD	1
51	X17649490013	TEMPERATURE SENSOR OF CABINET INSIDE	1
52	X17799990002	THERMOMETER	1



**EUR72X**

## Part Listing for EUR72X

NO.	PART #	DESCRIPTION	QTY
1	X2199001817	CABINET	1
2	X2199001791	TOP BOARD	1
3	X2199001805	RIGHT DOOR	2
4	X16401547635	GASKET	3
5	XX-HA0326	AXIS COVER	3
6	X12517240002	SPRING HINGE BOARD	3
7	X12517140005	BOTTOM RIGHT HINGE	2
8	X12517140004	UPPER RIGHT HINGE	2
9	X2199001806	LEFT DOOR	1
10	X12517140003	LEFT BOTTOM HINGE	1
11	X12517140002	UPPER LEFT HINGE	1
12	X2199001792	CASTOR SUPPORT B	1
13	X2199001741	CASTOR SUPPORT C	1
14	X2199001793	CASTOR SUPPORT A	1
15	X12533070420	4" CASTOR WITH BRAKE	2
16	X12533040420	4" CASTOR	2
17	X2199001473	THERMOSTAT INSTALLATION BOARD	1
18	X17505200002	THERMOSTAT	1
19	X2199001472	STAND OFF BRACKET	2
20	X2199001478	COMPRESSOR UNIT TRACK	2
21	X2199001794	INNER DRAIN PAN	1
22	X2199001745	EVAPORATOR COVER STICKER	2
23	X2199001746	EVAPORATOR COVER STICKER	2
24	X2199001522	COMPRESSOR UNIT INSTALLATION BOARD	1
25	X16316130008	OUTER DRAIN PAN	1

NO.	PART #	DESCRIPTION	QTY
26	X17304080271	CONDENSER	1
27	X17701000626	CONDENSER FAN MOTOR	1
28	X22726010001	CONDENSER FAN COVER	1
29	X16381738052	BLADE OF CONDENSER FAN MOTOR	1
30	X16369690257	FILTER FIXER	1
31	X17111250198	FILTER	1
32	X17202163117	COMPRESSOR (EM2X3117U/115V/60HZ/R290)	1
33	STARTKIT EM2X3117U	START KIT, INCLUDES ITEMS 34, 35, & 36	*
34	X13556094	START CAPACITOR	1
35	X13634251	OVERLOAD PROTECTOR	1
36	X13650051	STARTER	1
37	X2199001818	BACK GRILL	1
38	X2199001819	EVAPORATOR COVER	1
39	X2199001321	K STRIP-3 HOLES	6
40	X2199001480	K STRIP-2 HOLES	6
41	X5302000003	K CLIP	12
42	X12502114352	SHELF	2
43	X12502434597	MIDDLE SHELF	1
44	X17405050882	EVAPORATOR	1
45	X2199001797	FAN MOTOR INSTALLATION BOARD	1
46	X1003001114715	EVAPORATOR FAN MOTOR	4
47	X16352020002	FOAMING HOLE COVER	2
48	X15809080016	DRAIN HOSE	1
49	X17664640051	POWER CORD	1
50	X17649490013	TEMPERATURE SENSOR OF CABINET INSIDE	1
51	X17799990002	THERMOMETER	1



PART LIST FOR  
UNDER COUNTER UNITS  
EUR27X, EUR47X, EUR60X, EUR72X, EUF27X,  
EUF47X



For Parts Call 704-900-2068, Option #2