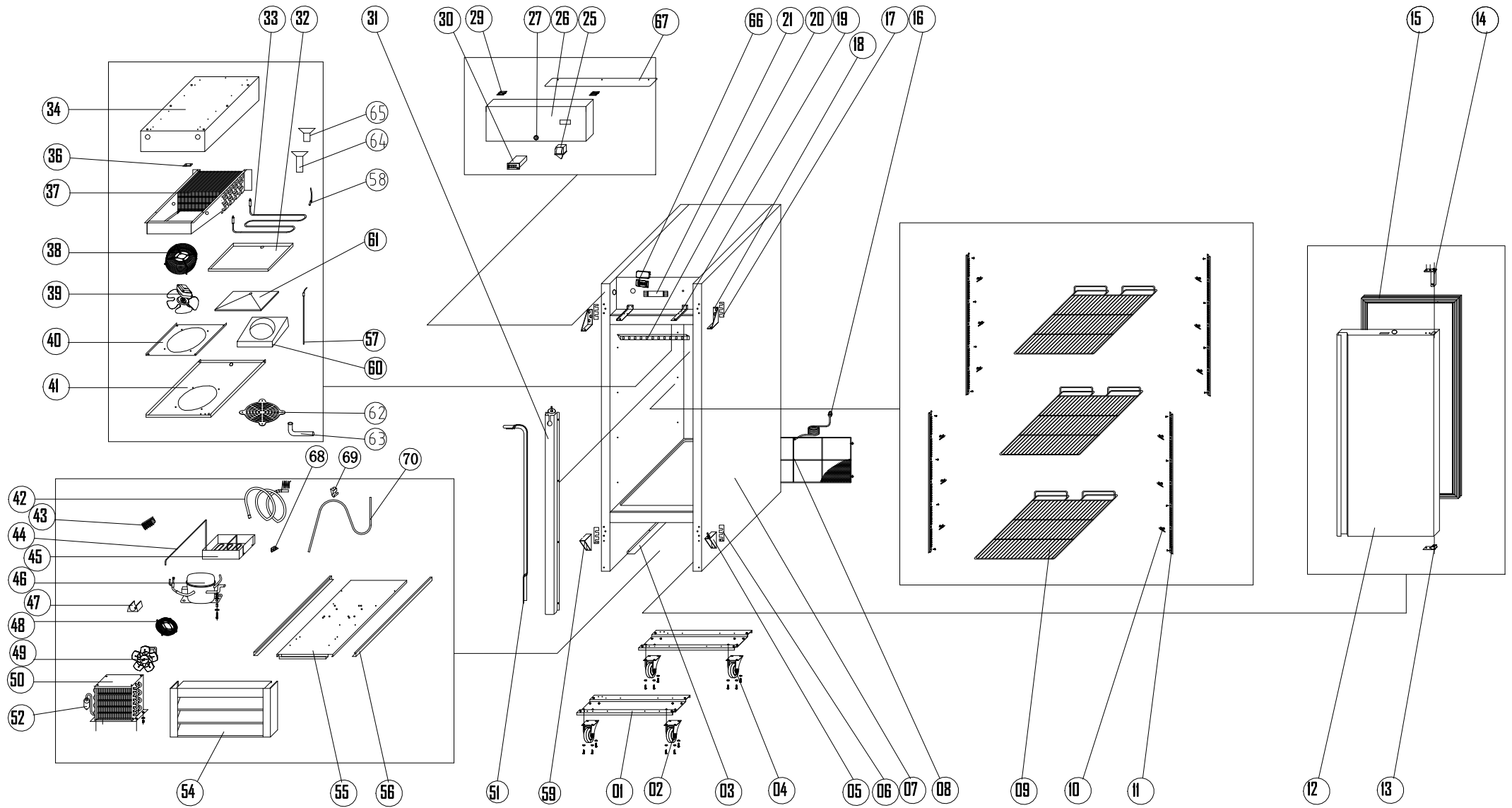




PARTS LIST FOR REACH-IN MODELS



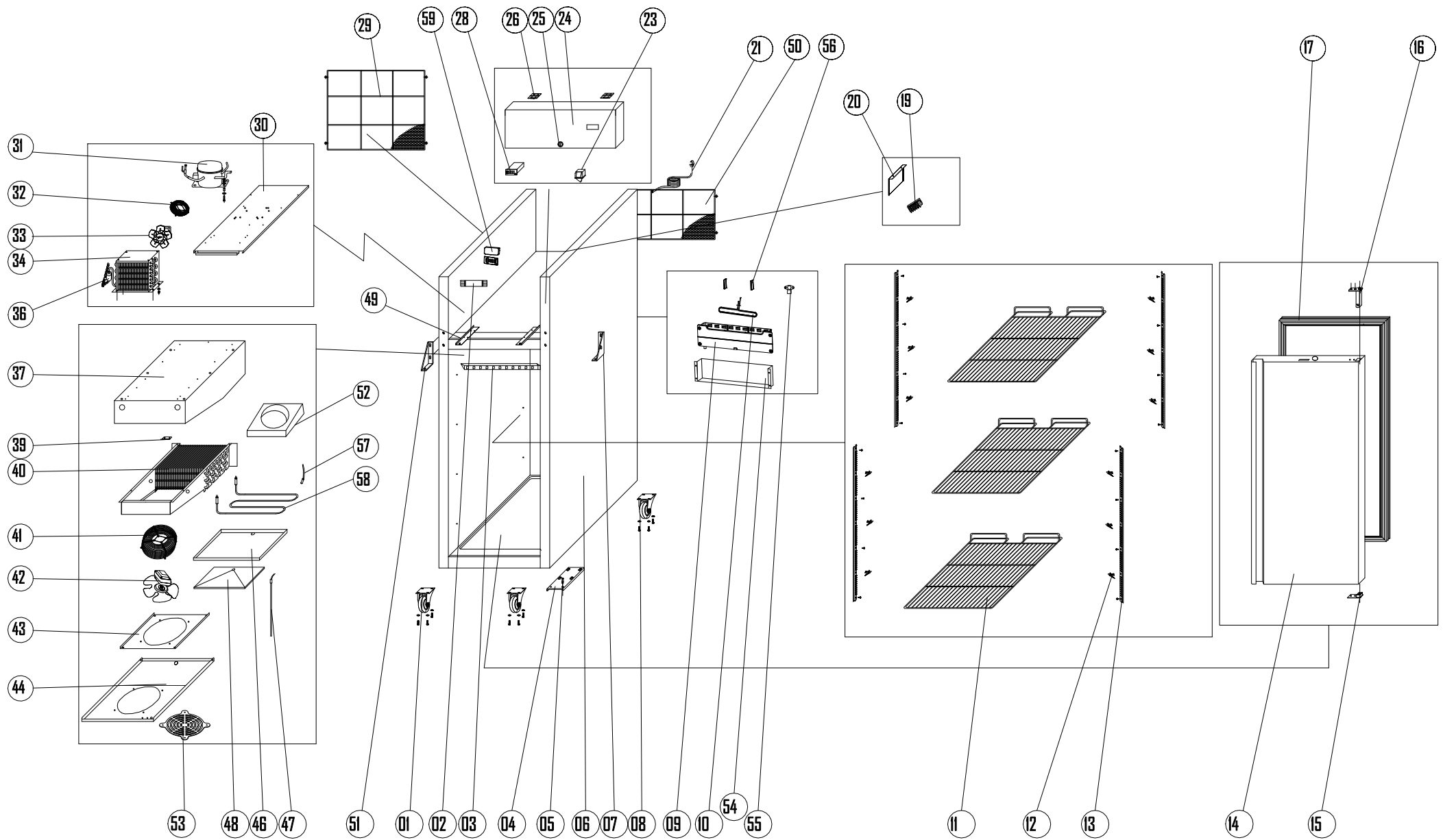
**CF1-HC Starting with Serial #1908ENTQ00001
CF1-TSI-HC, CF2-HC, CF2-TSI-HC Starting with Serial
#2001ENTQ0001
(R290)**



MODEL CF1-HC

PARTS LISTING FOR CF1-HC (R290)

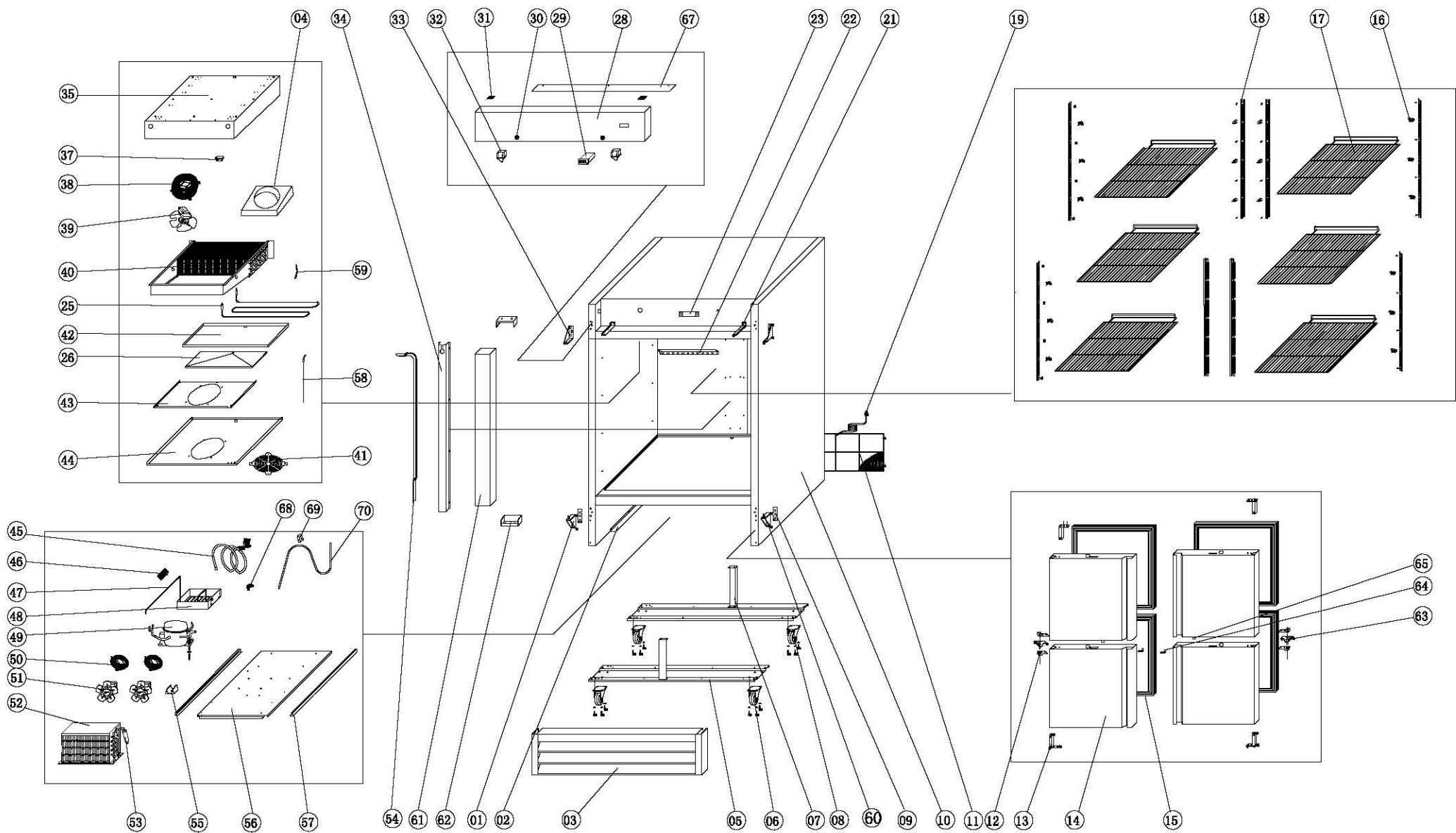
| REF# | PART# | DESCRIPTION | QTY | REF# | PART# | DESCRIPTION | QTY |
|------|-------------|---|-----|------|------------|--|-----|
| 1 | N/A | SUPPORT | 2 | 38 | H00112 | FAN GUARD, EVAPORATOR, WHITE | 1 |
| 2 | H00316 | FRONT SWIVEL CASTER W/BRAKE | 2 | 39 | HC0116-2 | EVAPORATOR FAN MOTOR W/BLADE | 1 |
| 3 | N/A | BAFFLE PLATE | 1 | 40 | HC0131 | EVAP FAN MOTOR SUPPORT | 1 |
| 4 | H00317 | REAR, SWIVEL CASTER W/O BRAKE | 2 | 41 | HC0151 | EVAP FAN COVER | 1 |
| 5 | H00333 | LOWER RIGHT DOOR HINGE | 1 | 42 | H113100668 | HELIX SUCTION PIPE+CAPILLARY B | 1 |
| 6 | H00329 | LOWER HINGE SHIM | 2 | 43 | H00215 | TERMINAL BLOCK, 5 POLE | 1 |
| 7 | N/A | BODY | 1 | 44 | HC0124 | EVAPORATOR PIPE | 1 |
| 8 | H00313 | COVER, LOWER, REAR COMPARTMENT | 1 | 45 | C30003 | CONDENSER DRAIN BOX, BOT-MOUNT | 1 |
| 9 | H00307 | SHELF | 3 | 46 | HC0011F | COMPRESSOR (SCE15CNLX) W/FILTER DRIER | 1 |
| 10 | C3234860 | PILASTER CLIP | 12 | 46 | H00023 | START KIT FOR SCE15CNLX | * |
| 11 | H00342 | PILASTER | 4 | 47 | N/A | FILTER DRIER SUPPORT | 1 |
| 12 | H00324-3 | FULL DOOR, SOLID BOTTOM MOUNT (HC) | 1 | 48 | RD00111 | CONDENSER FAN COVER | 1 |
| 13 | H00326 | HINGE AXIS JACKET, BOTTOM | 1 | 49 | H00110 | CONDENSER FAN MOTOR WITH BLADE, 115V 9W | 1 |
| 14 | H00328 | HINGE CARTRIDGE, SELF CLOSING | 1 | 50 | HC0346 | CONDENSER COIL | 1 |
| 15 | H00325-3 | GASKET, DOOR (BOTTOM MOUNT) HC | 1 | 51 | HDV007A | VERTICAL SUCTION PIPE+CAPILLARY A | 1 |
| 16 | C2194684 | POWER CORD, 14AWG/ NEMA 5-15P | 1 | 52 | H00341 | FILTER DRIER | 1 |
| 17 | H00329-1 | SHIMS, UPPER DOOR HINGES | 2 | 54 | H00337 | BOTTOM SHROUD, BOTTOM MOUNT | 1 |
| 18 | H00331 | HINGE, TOP RIGHT | 1 | 55 | N/A | LOWER PANEL | 1 |
| 18 | H00330 | HINGE, TOP LEFT | 1 | 56 | N/A | GUIDE LEFT | 1 |
| 19 | NA | UPPER FRONT PANEL BRACKET | 2 | | N/A | GUIDE RIGHT | 1 |
| 20 | C2194688 | LED LIGHT STRIP (REACH-IN) | 1 | 57 | H00211 | HEATER, DRAIN PIPE, 13W | 1 |
| 21 | H104070118 | Led Power Supply | 1 | 58 | H00207 | FUSE, THERMAL, DEFROST HEATER | 1 |
| 25 | C2194677 | Door Switch | 1 | 59 | H00332 | HINGE, BOTTOM LEFT | 1 |
| 26 | H5114000647 | UPPER SHROUD, BOTTOM MOUNT | 1 | 60 | N/A | AIR GUIDE | 1 |
| 27 | H00340 | DOOR LOCK | 1 | 61 | N/A | COVER | 1 |
| 27 | H00357 | SET OF (2) KEYS | * | 62 | H00112-1 | EVAPORATOR FAN GUARD | 1 |
| 29 | H00321 | HINGE, UPPER SHROUD | 2 | 63 | H00336 | DRAIN JOINT ELBOW | 1 |
| 30 | HC0219-3 | TEMPERATURE CONTROL BOARD (DIXELL XW06K 4N1F0 40A) | 1 | 64 | G30002 | DRAIN PIPE (FEMALE) | 1 |
| 30 | HC0219-2 | TEMPERATURE CONTROL DISPLAY (DIXELL CX50) | 1 | 65 | G30001 | DRAIN PIPE (MALE) | 1 |
| 31 | H00311 | CHANNEL SUCTION LINE COVER | 1 | 66 | H108140044 | Controller Protector | 1 |
| 32 | HC0142 | DRAIN PAN - EVAPORATOR | 1 | | H108140043 | Controller Protector Cover | 1 |
| 33 | HC0201 | DEFROST HEATING ELEMENT | | 67 | N/A | TOP COVER | 1 |
| 34 | N/A | MOUNTING BOARD FOR EVAPORATOR COIL | 1 | 68 | N/A | DRAIN BRACKET | 1 |
| 36 | H00335 | SENSOR CLIP | 1 | 69 | N/A | DRAIN SUPPORT | 1 |
| 37 | HC0349F | EVAPORATOR COIL | 1 | 70 | HC0391 | DRAIN TUBE φ16*2 X 0.5M | 1 |



MODEL CF1-TSI-HC

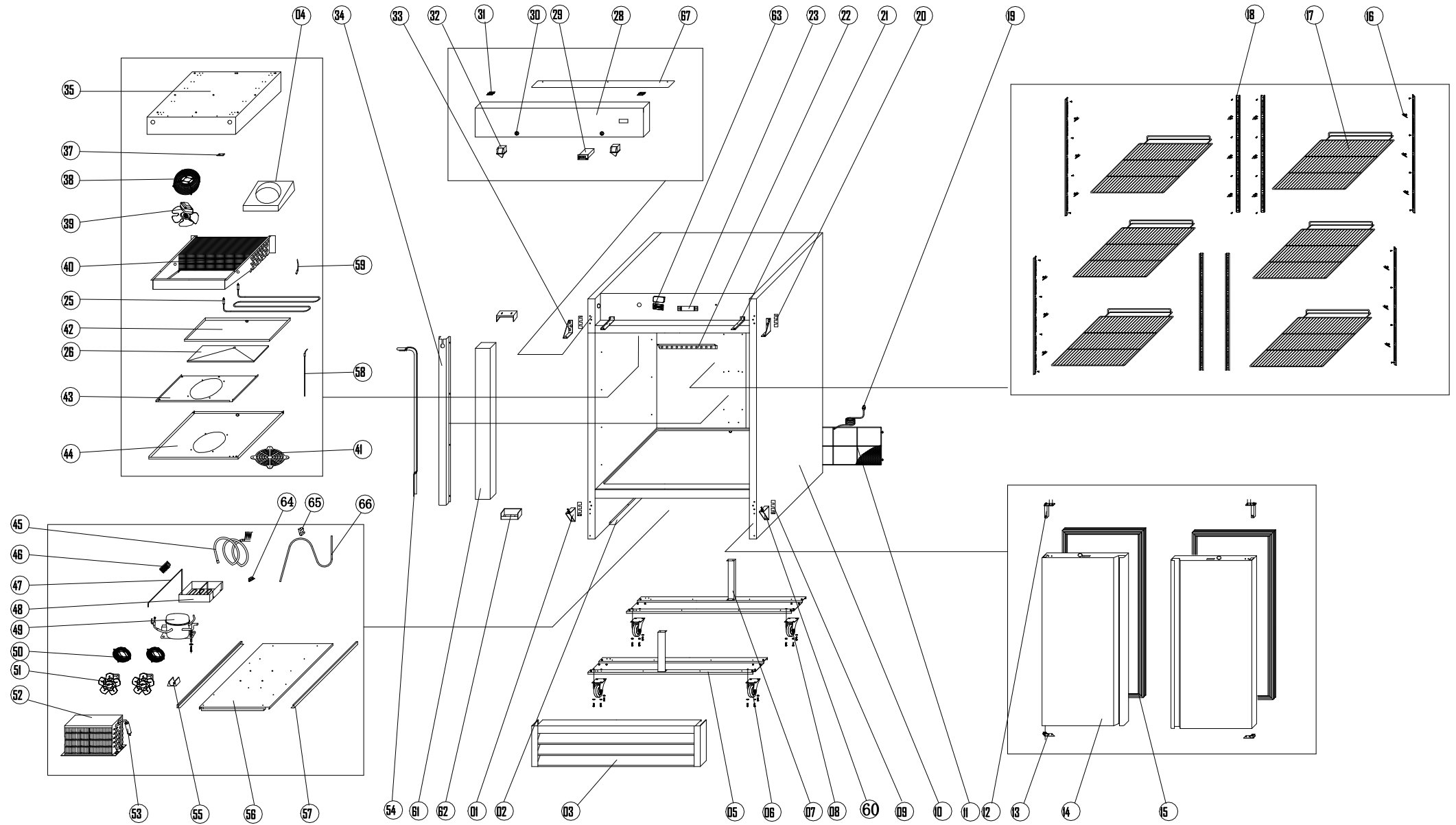
MODEL CF1-TSI-HC

| REF # | PART # | DESCRIPTION | QTY |
|-------|------------|--|-----|
| 1 | H00316 | CASTER, 4" DIAMETER WITH BRAKE | 2 |
| 2 | H104070118 | LED POWER SUPPLY | 1 |
| 3 | C2194688 | LED LIGHT STRIP (REACH-IN) (LED2835, 2.4W, 24 VDC) | 1 |
| 4 | C20021 | HINGE, LOWER LEFT/RIGHT (TOP-MOUNT) | 1 |
| 5 | H00327 | HINGE PIN W/NUT | 1 |
| 6 | N/A | MAIN BOX | 1 |
| 7 | C20029 | HINGE, UPPER RIGHT | 1 |
| 8 | H00317 | CASTER, 4" DIAMETER WITHOUT BRAKE | 2 |
| 9 | C30002 | CONDENSER DRAIN BOX, REAR MOUNT | 1 |
| 10 | HRI2000 | DISCHARGE PIPE | 1 |
| 11 | H00307 | SHELF | 3 |
| 11 | H00307-C | SHELF /4 CLIPS | * |
| 12 | C3234860 | PILASTER CLIP | 12 |
| 13 | H03343 | PILASTER | 4 |
| 14 | H00324-2 | FULL DOOR, SOLID TOP MOUNT (HC) | 1 |
| 15 | H00326 | HINGE AXIS JACKET, BOTTOM | 1 |
| 16 | H00328 | HINGE CARTRIDGE, SELF CLOSING | 1 |
| 17 | H00325-2 | GASKET | 1 |
| 19 | H00215 | TERMINAL BLOCK 5-POLE | 1 |
| 20 | N/A | MOUNTING BRACKET | 1 |
| 21 | C2194684 | POWER CORD, 14AWG/NEMA 5-15P | 1 |
| 23 | C2194677 | DOOR SWITCH 3-PIN WHITE | 1 |
| 24 | HC318-TSI | SHOUD ASSEMBLY, UPPER, 1DR TOP MOUNT | 1 |
| 25 | H00340 | DOOR LOCK WITH 2 KEYS | 1 |
| 26 | H00321 | HINGE, UPPER SHROUD | 2 |
| 28 | HC0219-3 | TEMPERATURE CONTROL BOARD (DIXELL XW06K 4N1F0 40A) | 1 |
| 28 | H00205 | TEMPERATURE SENSOR NTC TYPE (5' LENGTH) | 2 |
| 28 | HC0219-2 | TEMPERATURE CONTROL DISPLAY (DIXELL CX50) | 1 |
| 29 | C20008 | COVER, SCREEN, TOP CONDENSER 1DR | 1 |
| 30 | N/A | CONDENSER SUPPORT PANEL | 1 |
| 31 | HC0010F | COMPRESSOR (NEU2155U 115V/60HZ) W/FILTER DRIER | 1 |
| 31 | HC0010K | START KIT FOR NEU21155U | * |
| 31 | HC0011F | COMPRESSOR (SCE15CNLX 115V/60HZ) W/FILTER DRIER | * |
| 31 | HC0011K | START KIT FOR SCE15CNLX | * |
| 32 | RD00111 | FAN GUARD BLACK - CONDENSER | 1 |
| 33 | H00110 | CONDENSER FAN MOTOR, 9W CA27-04/CA01 | 1 |
| 34 | HC0346 | CONDENSER COIL | 1 |
| 36 | H00341 | FILTER DRIER | 1 |
| 37 | N/A | EVAPORATOR HOUSING | 1 |
| 39 | H03335 | SENSOR CLIP | 1 |
| 40 | HC0349F | EVAPORATOR COIL | 1 |
| 41 | H00112-1 | EVAPORATOR FAN GUARD, WHITE | 1 |
| 42 | HC0116-2 | EVAPORATOR FAN MOTOR (IQC3608-010315/A01 L=600) | 1 |
| 43 | N/A | EVAPORATOR FAN MOTOR SUPPORT | 1 |
| 44 | N/A | EVAPORATOR FAN COVER | 1 |
| 46 | HC0142 | DRAIN PAN, EVAPORATOR | 1 |
| 47 | H00211 | DRAIN LINE HEATER 13W | 1 |
| 48 | N/A | PANEL | 1 |
| 50 | C20005 | COVER, SCREEN, BACK, CONDENSER, 1DR | 1 |
| 51 | C20028 | HINGE, UPPER LEFT | 1 |
| 52 | N/A | FAN SHROUD | 1 |
| 53 | H00112-1 | EVAPORATOR FAN GUARD | 1 |
| 54 | C30002-1 | CONDENSER DRAIN BOX COVER | 1 |
| 55 | H03336 | DRAIN PIPE CONNECTOR | 1 |
| 56 | N/A | PIPE CLIP | 2 |
| 57 | H00207 | THERMAL FUSE, DEFROST HEATER | 1 |
| 58 | HC0201 | DEFROST HEATING ELEMENT | 1 |
| 59 | H108140044 | PLASTIC COVER (PROTECT CONTROL) | 1 |
| 59 | H108140043 | PLASTIC COVER (PROTECT CONTROL) | 1 |



MODEL CF2-4HD-HC

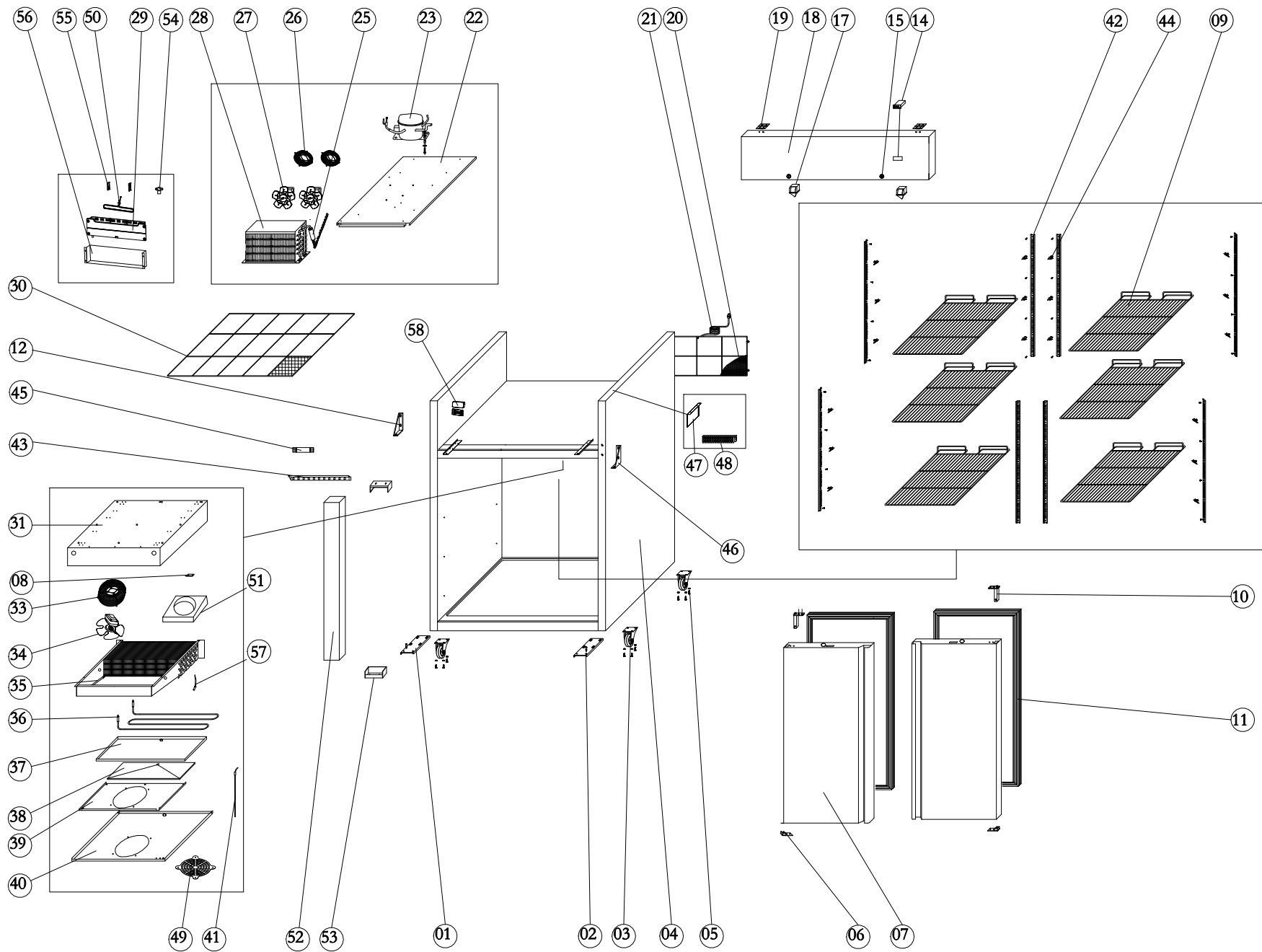
| REF # | PART # | DESCRIPTION | QTY |
|-------|------------|--|-----|
| 1 | HD0332 | HINGE, BOTTOM LEFT | 1 |
| 2 | N/A | SLIDE BRACKET | 1 |
| 3 | HC0338 | SHROUD, LOWER 2 DOOR | 1 |
| 4 | N/A | FAN SHROUD | 1 |
| 5 | N/A | CASTER SUPPORT CHANEL | 2 |
| 6 | H00316 | CASTER, 4" DIAMETER WITH BRAKE | 2 |
| 7 | N/A | SUPPORT BRACKET | 2 |
| 8 | H00317 | CASTER, 4" DIAMETER WITHOUT BRAKE | 2 |
| 9 | H00329-1 | SHIMS, LOWER DOOR HINGES | 2 |
| 10 | NA | CABINET | 1 |
| 11 | H00314 | COVER, LOWER, REAR COMPARTMENT | 1 |
| 12 | H00326 | HINGE AXIS JACKET, BOTTOM | 4 |
| 13 | H00328 | HINGE CARTRIDGE, SELF CLOSING | 4 |
| 14 | HC0324-HD | HALF DOOR, SOLID BOTTOM MOUNT | 4 |
| 15 | H00325HD | GASKET, HALF DOOR MODELS | 4 |
| 16 | C3234860 | PILASTER CLIP | 24 |
| 17 | H00308 | SHELF | 6 |
| 18 | H00342 | SHELF SUPPORT | 8 |
| 19 | C2194684 | POWER CORD, 14AWG/NEMA 5-15P | 1 |
| 21 | N/A | UPPER SUPPORT BRACKET | 2 |
| 22 | C2194688 | LED LIGHT STRIP (REACH-IN) (LED2835, 2.4W, 24 VDC) | 1 |
| 23 | H104070118 | LED POWER SUPPLY | 1 |
| 25 | HC0202 | DEFROST HEATING ELEMENT | 1 |
| 26 | N/A | PANEL | 1 |
| 28 | HC2320 | UPPER SHROUD, 4-HD BOTTOM MOUNT | 1 |
| 29 | HC0204 | ELECTRONIC THERMOSTAT | 1 |
| 30 | H00340 | DOOR LOCK WITH 2 KEYS | 2 |
| 31 | H00321 | HINGE, UPPER SHROUD | 2 |
| 32 | C2194677 | DOOR SWITCH 3-PIN WHITE | 2 |
| 33 | H00331 | HINGE, TOP RIGHT | 1 |
| 33 | H00330 | HINGE, TOP LEFT | 1 |
| 34 | H00311 | CHANNEL, SUCTION LINE COVER | 1 |
| 35 | N/A | EVAPORATOR HOUSING | 1 |
| 37 | H00335 | SENSOR CLIP | 1 |
| 38 | H00112-1 | EVAPORATOR FAN GUARD, WHITE | 1 |
| 39 | HC0120 | EVAPORATOR FAN MOTOR 7108, 900RPM | 1 |
| 40 | HC0350F | EVAORATOR COIL | 1 |
| 41 | H00112-1 | EVAPORATOR FAN GUARD | 1 |
| 42 | H00143.1 | DRAIN PAN, EVAPORATORE (USE AFTER 1409) | 1 |
| 43 | N/A | EVAPORATOR FAN MOTOR SUPPORT PANEL | 1 |
| 44 | H00153 | EVAPORATOR COVER, WHITE | 1 |
| 45 | HDV0013B | HELIX SUCTION PIPE+CAPILLARY B | 1 |
| 46 | H00215 | TERMINAL BLOCK 5-POLE | 1 |
| 47 | HRI2001 | EVAPORATOR PIPE | 1 |
| 48 | C30014 | CONDENSER DRAIN BOX | 1 |
| 49 | HC0006F | COMPRESSOR (NT2180UV 115V/60HZ) W/FILTER DRIER | 1 |
| 49 | HC0006K | START KIT FOR NT2180UV | * |
| 49 | HC0014F | COMPRESSOR (SCE18CNLX 115V/60HZ) W/FILTER DRIER | * |
| 49 | HC0014K | START KIT FOR SCE18CNLX | * |
| 50 | H00123 | FAN GUARD BLACK - CONDENSER | 2 |
| 51 | H00120 | MOTOR, CONDENSER FAN, M4Q045-BD03-04/CO6 (5W) | 2 |
| 52 | HC0348 | CONDENSER COILE (2 FANS) | 1 |
| 53 | H00341 | FILTER DRIER | 1 |
| 54 | HDV010A | VERTICAL SUCTION PIPE+CAPILLARY A | 1 |
| 55 | N/A | DRIER SUPPORT | 1 |
| 56 | N/A | CONDENSER SUPPORT PANEL | 1 |
| 57 | N/A | GUIDE RIGHT | 1 |
| 57 | N/A | GUIDE LEFT | 1 |
| 58 | H00212 | DRAIN PIPE HEATER | 1 |
| 59 | H00207 | THERMAL FUSE, DEFROST HEATER | 1 |
| 60 | HD0333 | HINGE, BOTTOM RIGHT | 1 |
| 61 | HC00119 | CENTER MULLION | 1 |
| 62 | HC00112 | CENTER MULLION BRACKET | 2 |
| 63 | H00334-2HD | HINGE, MIDDLE HALF DOOR | 2 |
| 64 | N/A | LOWER COVER | 1 |
| 64 | N/A | LOWER COVER | 1 |
| 65 | N/A | UPPER COVER | 2 |
| 67 | N/A | TOP COVER | 1 |
| 68 | N/A | DRAIN BRACKET | 1 |
| 69 | N/A | DRAIN CLAMP | 1 |
| 70 | HC0391 | DRAIN TUBE (1/2" DIA X 20" LONG | 1 |



MODEL CF2-HC

MODEL CF2-HC

| REF # | PART # | DESCRIPTION | QTY |
|-------|------------|--|-----|
| 1 | H00332 | HINGE, BOTTOM LEFT | 1 |
| 2 | N/A | SLIDE BRACKET | 1 |
| 3 | HC0338 | SHROUD, LOWER 2 DOOR | 1 |
| 3 | HC0338C | SHROUD, LOWER 2 DOOR (CENTAUR PLUS) | 1 |
| 3 | HC0338K | SHROUD, LOWER 2 DOOR (KINTERA) | 1 |
| 4 | N/A | FAN SHROUD | 1 |
| 5 | N/A | CASTER SUPPORT CHANEL | 2 |
| 6 | H00316 | CASTER, 4" DIAMETER WITH BRAKE | 2 |
| 7 | N/A | SUPPORT BRACKET | 2 |
| 8 | H00317 | CASTER, 4" DIAMETER WITHOUT BRAKE | 2 |
| 9 | H00329-1 | SHIMS, LOWER DOOR HINGES | 2 |
| 10 | N/A | MAIN BOX | 1 |
| 11 | H00314 | COVER, LOWER, REAR COMPARTMENT | 1 |
| 12 | H00328 | HINGE CARTRIDGE, SELF CLOSING | 2 |
| 13 | H00326 | HINGE AXIS JACKET, BOTTOM | 2 |
| 14 | H00324-3 | FULL DOOR, SOLID BOTTOM MOUNT (HC) | 2 |
| 15 | H00325-3 | GASKET | 2 |
| 16 | C3234860 | PILASTER CLIP | 24 |
| 17 | H00308 | SHELF | 6 |
| 17 | H00308-C | SHELF /4 CLIPS | * |
| 18 | H00342 | SHELF SUPPORT | 8 |
| 19 | C2194684 | POWER CORD, 14AWG/NEMA 5-15P | 1 |
| 20 | H00329-1 | SHIMS, UPPER DOOR HINGES | 2 |
| 21 | N/A | UPPER SHROUD SUPPORT BRACKET | 2 |
| 22 | C2194688 | LED LIGHT STRIP (REACH-IN) (LED2835, 2.4W, 24 VDC) | 1 |
| 23 | H104070118 | LED POWER SUPPLY | 1 |
| 25 | HC0202 | DEFROST HEATING ELEMENT | 1 |
| 26 | N/A | PANEL | 1 |
| 28 | HC0319 | UPPER SHROUD, 2DRS BOTTOM MOUNT | 1 |
| 28 | HC0319K | UPPER SHROUD, 2DRS BOTTOM MOUNT (KINTERA) | 1 |
| 29 | HC0219-3 | TEMPERATURE CONTROL BOARD (DIXELL XW06K 4N1F0 40A) | 1 |
| 29 | H00205 | TEMPERATURE SENSOR NTC TYPE (5' LENGTH) | 2 |
| 29 | HC0219-2 | TEMPERATURE CONTROL DISPLAY (DIXELL CX50) | 1 |
| 30 | H00340 | DOOR LOCK WITH 2 KEYS | 2 |
| 31 | H00321 | HINGE, UPPER SHROUD | 2 |
| 32 | C2194677 | DOOR SWITCH 3-PIN WHITE | 2 |
| 33 | H00331 | HINGE, TOP RIGHT | 1 |
| 33 | H00330 | HINGE, TOP LEFT | 1 |
| 34 | H00311 | CHANNEL, SUCTION LINE COVER | 1 |
| 35 | N/A | EVAPORATOR HOUSING | 1 |
| 37 | H00335 | SENSOR CLIP | 1 |
| 38 | H00112-1 | EVAPORATOR FAN GUARD, WHITE | 1 |
| 39 | HC0116-1 | EVAPORATOR FAN MOTOR (IQC3608-010315/A01 L=900) | 1 |
| 40 | HC0350F | EVAORATOR COIL | 1 |
| 41 | H00112-1 | EVAPORATOR FAN GUARD | 1 |
| 42 | H00143.1 | DRAIN PAN, EVAPORATORE (USE AFTER 1409) | 1 |
| 43 | N/A | EVAPORATOR FAN MOTOR SUPPORT PANEL | 1 |
| 44 | H00153 | EVAPORATOR COVER, WHITE | 1 |
| 45 | HDV0013B | HELIX SUCTION PIPE+CAPILLARY B | 1 |
| 46 | H00215 | TERMINAL BLOCK 5-POLE | 1 |
| 47 | HR12001 | EVAPORATOR PIPE | 1 |
| 48 | C30014 | CONDENSER DRAIN BOX | 1 |
| 49 | HC0006F | COMPRESSOR (NT2180UV 115V/60HZ) W/FILTER DRIER | 1 |
| 49 | HC0006K | START KIT NT2180UV | * |
| 49 | HC0014F | COMPRESSOR (SCE18CNLX 115V/60HZ) W/FILTER DRIER | * |
| 49 | HC0014K | START KIT FOR SCE18CNLX | * |
| 50 | H00123 | FAN GUARD BLACK - CONDENSER | 2 |
| 51 | H00120 | MOTOR, CONDENSER FAN, M4Q045-BD03-04/CO6 (5W) | 2 |
| 52 | HC0348 | CONDENSER COILE (2 FANS) | 1 |
| 53 | H00341 | FILTER DRIER | 1 |
| 54 | HDV010A | VERTICAL SUCTION PIPE+CAPILLARY A | 1 |
| 55 | N/A | DRIER SUPPORT | 1 |
| 56 | N/A | CONDENSER SUPPORT PANEL | 1 |
| 57 | N/A | GUIDE RIGHT | 2 |
| 57 | N/A | GUIDE LEFT | 1 |
| 58 | H00212 | DRAIN PIPE HEATER | 1 |
| 59 | H00207 | THERMAL FUSE, DEFROST HEATER | 1 |
| 60 | H00333 | HINGE, BOTTOM RIGHT | 1 |
| 61 | HC00117 | CENTER MULLION (2DF) | 1 |
| 62 | HC00112 | CENTER MULLION BRACKET | 2 |
| 63 | H108140044 | PLASTIC COVER (PROTECT CONTROL) | 1 |
| 63 | H108140043 | PLASTIC COVER (PROTECT CONTROL) | 1 |
| 64 | N/A | DRAIN BRACKET | 1 |
| 65 | N/A | DRAIN CLAMP | 1 |
| 66 | HC0391 | DRAIN TUBE (1/2" DIA X 20" LONG) | 1 |
| 67 | N/A | TOP COVER | 1 |



MODEL CF2-TSI-HC

MODEL CF2-TSI-HC

| REF # | PART # | DESCRIPTION | QTY |
|-------|------------|--|-----|
| 1 | C20021 | HINGE, LOWER LEFT/RIGHT (TOP-MOUNT) | 1 |
| 2 | H00327 | HINGE PIN W/NUT | 2 |
| 3 | H00316 | CASTER, 4" DIAMETER WITH BRAKE | 2 |
| 4 | N/A | MAIN BOX | 1 |
| 5 | H00317 | CASTER, 4" DIAMETER WITHOUT BRAKE | 2 |
| 6 | H00326 | HINGE AXIS JACKET, BOTTOM | 2 |
| 7 | H00324-2 | FULL DOOR, SOLID TOP MOUNT (HC) | 2 |
| 8 | H03335 | SENSOR CLIP | 1 |
| 9 | H00308 | SHELF | 6 |
| 9 | H00308-C | SHELF /4 CLIPS | * |
| 10 | H00325-2 | GASKET | 2 |
| 11 | H00328 | HINGE CARTRIDGE, SELF CLOSING | 1 |
| 12 | C20028 | HINGE, UPPER LEFT | 2 |
| 14 | HC0219-3 | TEMPERATURE CONTROL BOARD (DIXELL XW06K 4N1F0 40A) | 1 |
| 14 | H00205 | TEMPERATURE SENSOR NTC TYPE (5' LENGTH) | 2 |
| 14 | HC0219-2 | TEMPERATURE CONTROL DISPLAY (DIXELL CX50) | 1 |
| 15 | H00340 | DOOR LOCK WITH 2 KEYS | 2 |
| 17 | C2194677 | DOOR SWITCH 3-PIN WHITE | 2 |
| 18 | HC2319 | UPPER SHROUD, 2DR TOP MOUNT | 1 |
| 19 | H00321 | HINGE, UPPER SHROUD | 2 |
| 20 | C20006 | COVER, SCREEN, BACK, CONDENSER, 2DR | 1 |
| 21 | C2194684 | POWER CORD, 14AWG/NEMA 5-15P | 1 |
| 22 | N/A | CONDENSER SUPPORT PANEL | 1 |
| 23 | HC0006F | COMPRESSOR (NT2180UV 115V/60HZ) W/FILTER DRIER | 1 |
| 23 | HC0006K | START KIT NT2180UV | * |
| 23 | HC0014F | COMPRESSOR (SCE18CNLX 115V/60HZ) W/FILTER DRIER | * |
| 23 | HC0014K | START KIT FOR SCE18CNLX | * |
| 25 | H00341 | FILTER DRIER | 1 |
| 26 | H00123 | FAN GUARD BLACK - CONDENSER | 2 |
| 27 | H00120 | MOTOR, CONDENSER FAN, M4Q045-BD03-04/CO6 (5W) | 2 |
| 28 | HC0348 | CONDENSER COILE (2 FANS) | 1 |
| 29 | C30002 | CONDENSER DRAIN BOX, REAR MOUNT | 1 |
| 30 | C20009 | COVER, SCREEN, TOP CONDENSER 2DR | 1 |
| 31 | N/A | EVAPORATOR HOUSING | 1 |
| 33 | H00112-1 | EVAPORATOR FAN GUARD, WHITE | 1 |
| 34 | HC0116-1 | EVAPORATOR FAN MOTOR (IQC3608-010315/A01 L=900) | 1 |
| 35 | HC0350F | EVAORATOR COIL | 1 |
| 36 | HC0202 | DEFROST HEATING ELEMENT | 1 |
| 37 | H00143.1 | DRAIN PAN, EVAPORATORE (USE AFTER 1409) | 1 |
| 38 | N/A | PANEL | 1 |
| 39 | N/A | EVAPORATOR FAN MOTOR SUPPORT PANEL | 1 |
| 40 | H00136 | EVAPORATOR FAN MOTOR SUPPORT PANEL | 1 |
| 41 | H00212 | DRAIN PIPE HEATER | 1 |
| 42 | C3234860 | PILASTER CLIP | 24 |
| 43 | C2194688 | LED LIGHT STRIP (REACH-IN) (LED2835, 2.4W, 24 VDC) | 1 |
| 44 | H03343 | PILASTER | 8 |
| 45 | H104070118 | LED POWER SUPPLY | 1 |
| 46 | C20029 | HINGE, UPPER RIGHT | 2 |
| 47 | N/A | MOUNTING BRACKET | 1 |
| 48 | H00215 | TERMINAL BLOCK 5-POLE | 1 |
| 49 | H00112-1 | EVAPORATOR FAN GUARD | 1 |
| 50 | HRI2004 | DISCHARGE PIPE | 1 |
| 51 | N/A | FAN SHROUD | 1 |
| 52 | HC00118 | CENTER MULLION (2DF-TSI) | 1 |
| 53 | HC00112 | CENTER MULLION BRACKET | 2 |
| 54 | H03336 | DRAIN PIPE CONNECTOR | 1 |
| 55 | N/A | PIPE CLIP | 2 |
| 56 | C30002-1 | CONDENSER DRAIN BOX COVER | 1 |
| 57 | H00207 | THERMAL FUSE, DEFROST HEATER | 1 |
| 58 | H108140044 | PLASTIC COVER (PROTECT CONTROL) | 1 |
| 58 | H108140043 | PLASTIC COVER (PROTECT CONTROL) | 1 |