



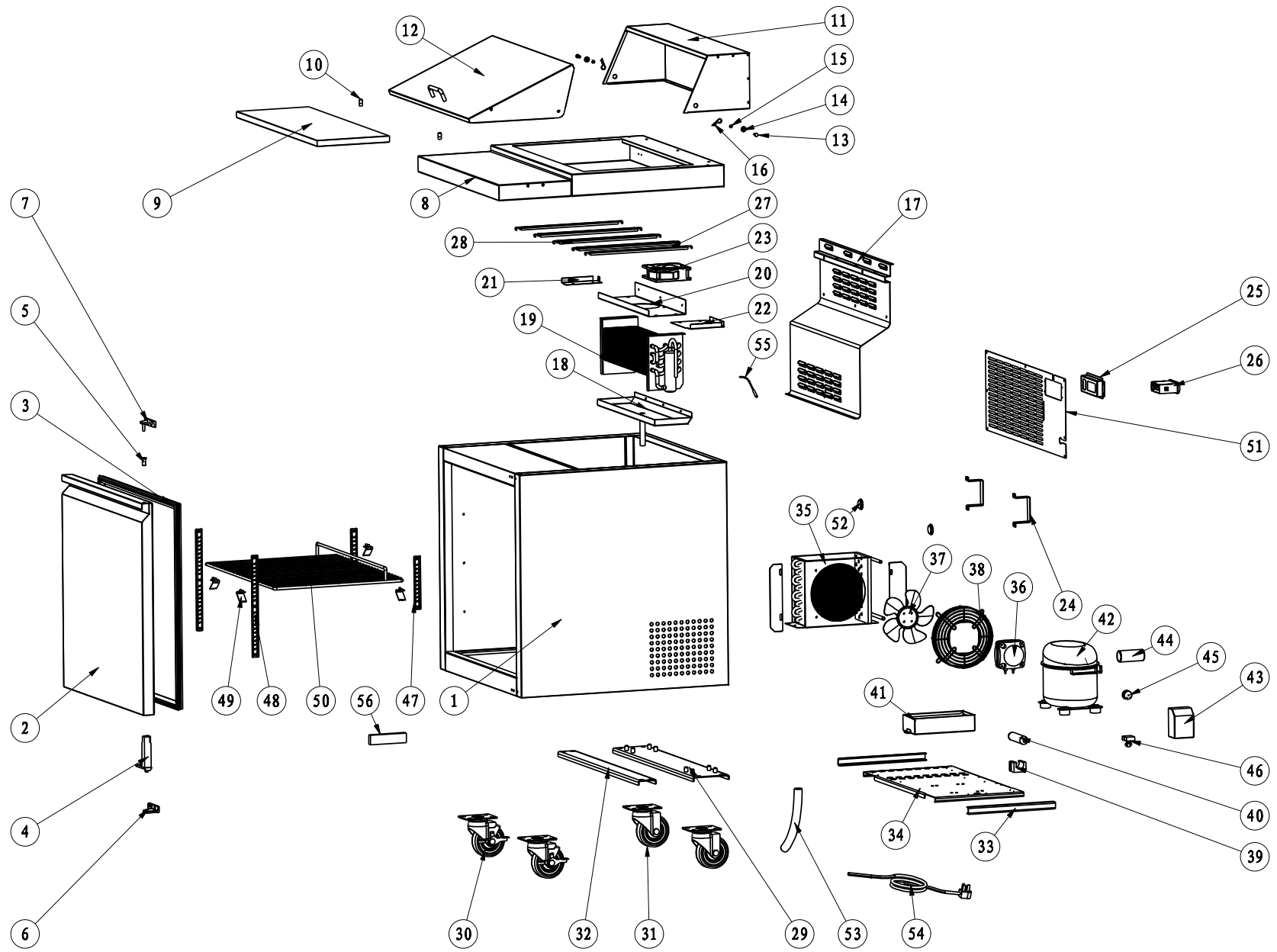
## PARTS LIST FOR SANDWICH/PREP MODELS

EST27X, EST36X, EST46X, EST60X, EST70X,  
EMST27X, EMST36X, EMST46X, EMST60X, EMST70X



For Parts Call 704-900-2068, Option #2

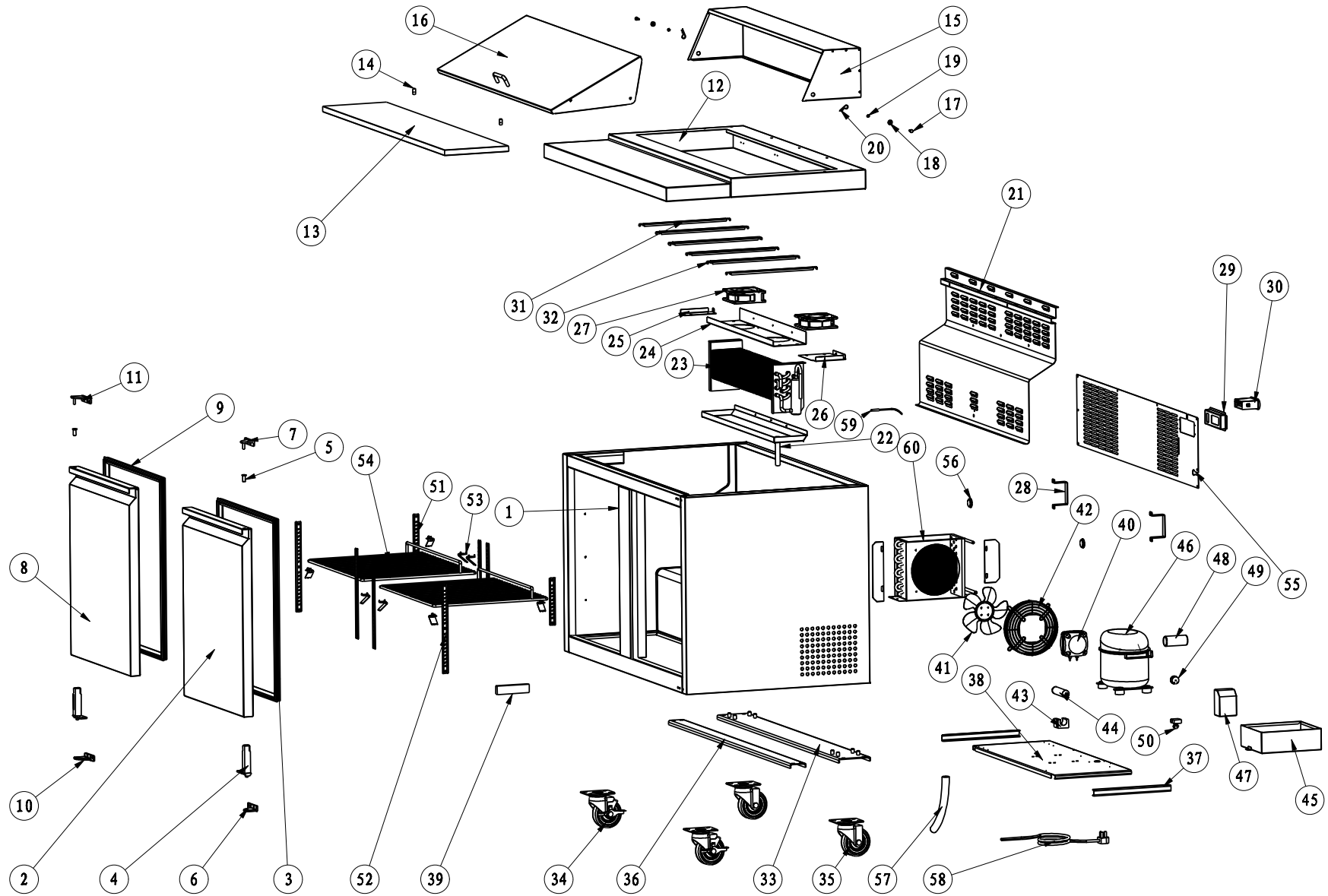
REV # 20230824



**MODEL EST27X**

## MODEL EST27X

| NO. | PART #         | DESCRIPTION                          | QTY |
|-----|----------------|--------------------------------------|-----|
| 1   | N/A            | CABINET                              | 1   |
| 2   | XX-DR0101      | DOOR                                 | 1   |
| 3   | XX-DG0102      | GASKET                               | 1   |
| 4   | XX-DC0328      | HINGE CARTRIDGE, SELF CLOSING        | 1   |
| 5   | XX-HA0326      | HINGE BUSHING                        | 1   |
| 6   | X12517140005   | HINGE BOTTOM RIGHT                   | 1   |
| 7   | X12517140004   | HINGE UPPER RIGHT                    | 1   |
| 8   | N/A            | TOP BOARD                            | 1   |
| 9   | XX-CB0104      | CUTTING BOARD                        | 1   |
| 10  | XX-CBB106      | CUTTING BOARD BRACKET                | 2   |
| 11  | XX-BC0104      | HOOD                                 | 1   |
| 12  | XX-LD0105      | LID                                  | 1   |
| 13  | XX-LHKIT       | DOWEL                                | 2   |
| 13  | XX-LHKIT       | HINGE PIN ASSEMBLY                   | 2   |
| 14  | XX-LHKIT       | PLASTIC BOLT                         | 2   |
| 15  | XX-LHKIT       | NUT                                  | 2   |
| 16  | XX-LHKIT       | SPLIT PIN                            | 2   |
| 17  | XX-EC0108      | EVAPORATOR COVER                     | 1   |
| 18  | XX-IDP012      | INNER DRAIN PAN                      | 1   |
| 19  | XX-EVP110      | EVAPORATOR                           | 1   |
| 20  | XX-EM0111      | FAN MOTOR INSTALLATION PANEL         | 1   |
| 21  | N/A            | LEFT SUPPORT BRACKET                 | 1   |
| 22  | N/A            | RIGHT SUPPORT BRACKET                | 1   |
| 23  | X1003001114715 | EVAPORATOR FAN MOTOR                 | 1   |
| 24  | XX-RSB001      | STAND OFF BRACKET                    | 2   |
| 25  | N/A            | THERMOSTAT INSTALLATION BOARD        | 1   |
| 26  | X17709030003   | THERMOSTAT (XR02CX-4N0C1-XX)         | 1   |
| 27  | XX-PB0114      | PAN BRACKET-15                       | 2   |
| 28  | XX-PB0115      | PAN BRACKET-25                       | 3   |
| 29  | N/A            | CASTER SUPPORT                       | 1   |
| 30  | XX-SCB316      | 4" SWIVEL CASTER W/BRAKE             | 2   |
| 31  | XX-SC0317      | 4" SWIVEL CASTER W/O BRAKE           | 2   |
| 32  | N/A            | PANEL SUPPORT ASSEMBLY               | 1   |
| 33  | N/A            | SUPPORT PANEL GUIDE (L & R)          | 2   |
| 34  | N/A            | CONDENSER SUPPORT PANEL              | 1   |
| 35  | XX-CC5838      | CONDENSER COIL                       | 1   |
| 36  | XX-CFM001      | CONDENSER FAN MOTOR                  | 1   |
| 37  | XX-CFB001      | CONDENSER FAN BLADE                  | 1   |
| 38  | X22726010001   | CONDENSER FAN GUARD                  | 1   |
| 39  | N/A            | FILTER DRIER BRACKET                 | 1   |
| 40  | XX-H00341      | FILTER DRIER                         | 1   |
| 41  | X16316130005   | OUTER DRAIN PAN                      | 1   |
| 42  | XX-HC0008      | COMPRESSOR (DLE4.8CN/115V/R290)      | 1   |
| 43  | XX-HC0008K     | COMPRESSOR START KIT (DLE4.8CN)      | 1   |
| 43  | INCL IN ABOVE  | COMPRESSOR SPLICE BOX                | 1   |
| 44  | INCL IN ABOVE  | COMPRESSOR START CAPACITOR           | 1   |
| 45  | INCL IN ABOVE  | COMPRESSOR OVERLOAD PROTECTOR        | 1   |
| 46  | INCL IN ABOVE  | COMPRESSOR STARTER                   | 1   |
| 46  | X200010        | CAP TUBE (.039 X 78.75) R290         | 1   |
| 47  | X2199001480    | PILASTER - 2 HOLES                   | 2   |
| 48  | X2199001321    | PILASTER - 3 HOLES                   | 2   |
| 49  | X5302000003    | K CLIP                               | 4   |
| 50  | XX-SH0029      | SHELF                                | 1   |
| 51  | X2199001574    | BACK GRILL                           | 1   |
| 52  | N/A            | FOAMING HOLE COVER                   | 2   |
| 53  | XX-DT0135      | DRAIN HOSE                           | 1   |
| 54  | XX-2194684     | POWER CORD                           | 1   |
| 55  | XX-THT002      | TEMPERATURE SENSOR OF CABINET INSIDE | 1   |
| 56  | X17799990002   | THERMOMETER                          | 1   |

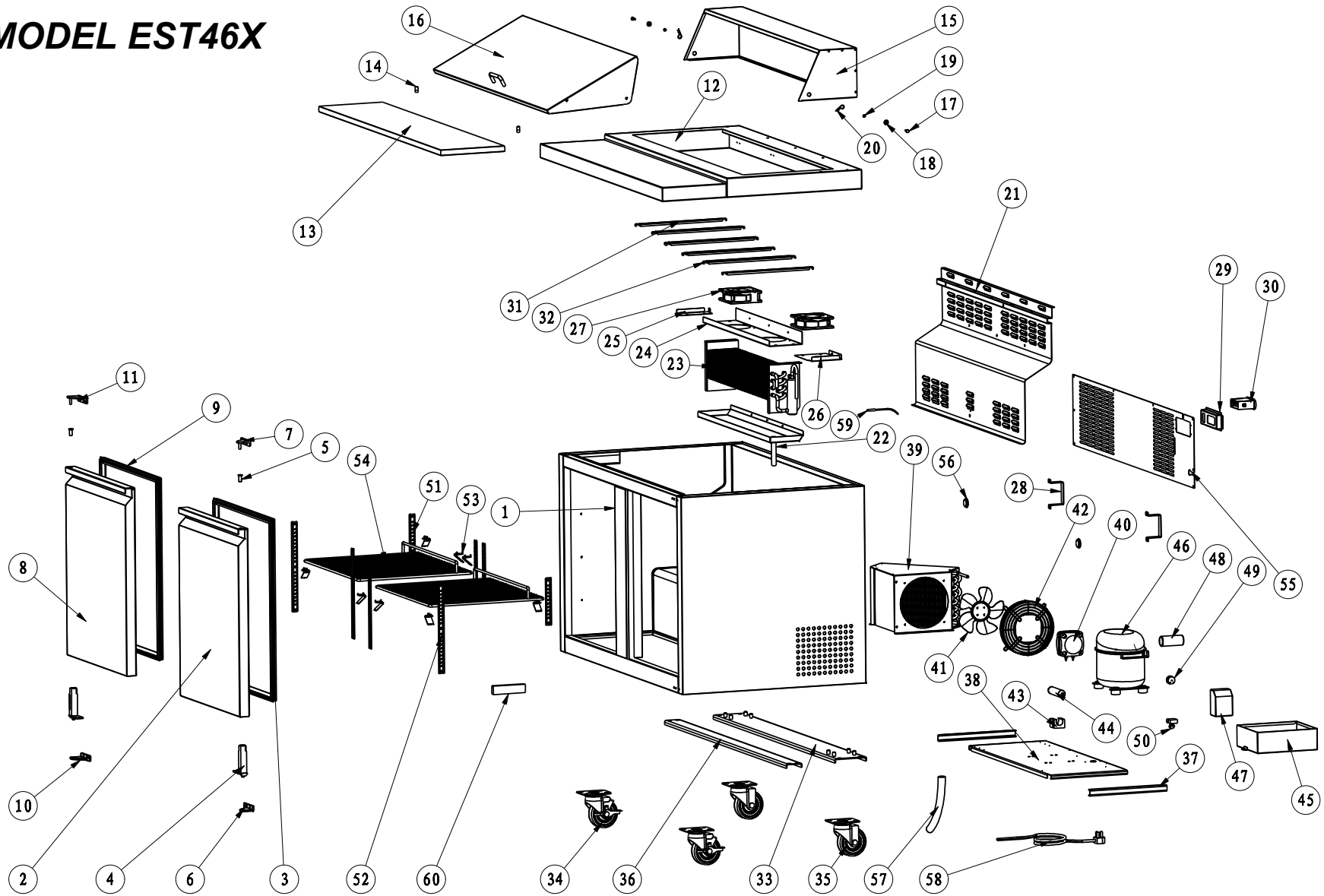


**MODEL EST36X**

## MODEL EST36X

| NO. | PART #         | DESCRIPTION                          | QTY |
|-----|----------------|--------------------------------------|-----|
| 1   | N/A            | CABINET                              | 1   |
| 2   | XX-DR0236      | DOOR, RIGHT                          | 1   |
| 3   | XX-DG0236      | GASKET                               | 1   |
| 4   | XX-DC0328      | HINGE CARTRIDGE, SELF CLOSING        | 2   |
| 5   | XX-HA0326      | HINGE BUSHING                        | 2   |
| 6   | X12517140005   | HINGE BOTTOM RIGHT                   | 1   |
| 7   | X12517140004   | HINGE UPPER RIGHT                    | 1   |
| 8   | XX-DR0237      | DOOR, LEFT                           | 1   |
| 9   | XX-DG0236      | GASKET                               | 1   |
| 10  | X12517140003   | HINGE BOTTOM LEFT                    | 1   |
| 11  | X12517140002   | HINGE UPPER LEFT                     | 1   |
| 12  | N/A            | TOP BOARD                            | 1   |
| 13  | XX-CB0404      | CUTTING BOARD                        | 1   |
| 14  | XX-CBB106      | CUTTING BOARD BRACKET                | 2   |
| 15  | XX-BC0136      | HOOD                                 | 1   |
| 16  | XX-LD0236      | LID                                  | 1   |
| 17  | XX-LHKIT       | DOWEL                                | 2   |
| 17  | XX-LHKIT       | HINGE PIN ASSEMBLY                   | 2   |
| 18  | XX-LHKIT       | PLASTIC BOLT                         | 2   |
| 19  | XX-LHKIT       | NUT                                  | 2   |
| 20  | XX-LHKIT       | SPLIT PIN                            | 2   |
| 21  | XX-EC0604      | EVAPORATOR COVER                     | 1   |
| 22  | XX-IDP209      | INNER DRAIN PAN                      | 1   |
| 23  | XX-EVP210      | EVAPORATOR                           | 1   |
| 24  | XX-EM0211      | FAN MOTOR INSTALLATION PANEL         | 1   |
| 25  | N/A            | LEFT SUPPORT BRACKET                 | 1   |
| 26  | N/A            | RIGHT SUPPORT BRACKET                | 1   |
| 27  | X1003001114715 | EVAPORATOR FAN MOTOR                 | 2   |
| 28  | XX-RSB001      | STAND OFF BRACKET                    | 2   |
| 29  | N/A            | THERMOSTAT INSTALLATION BOARD        | 1   |
| 30  | X17709030003   | THERMOSTAT (XR02CX-4N0C1-XX)         | 1   |
| 31  | XX-PB0114      | PAN BRACKET-15                       | 2   |
| 32  | XX-PB0115      | PAN BRACKET-25                       | 4   |
| 33  | N/A            | CASTER SUPPORT                       | 1   |
| 34  | XX-SCB316      | 4" SWIVEL CASTER W/BRAKE             | 2   |
| 35  | XX-SC0317      | 4" SWIVEL CASTER W/O BRAKE           | 2   |
| 36  | N/A            | PANEL SUPPORT ASSEMBLY               | 1   |
| 37  | N/A            | SUPPORT PANEL GUIDE (L & R)          | 2   |
| 38  | N/A            | CONDENSER SUPPORT PANEL              | 1   |
| 39  | X17799990002   | THERMOMETER                          | 1   |
| 40  | XX-CFM001      | CONDENSER FAN MOTOR                  | 1   |
| 41  | XX-CFB001      | CONDENSER FAN BLADE                  | 1   |
| 42  | X22726010001   | CONDENSER FAN GUARD                  | 1   |
| 43  | N/A            | FILTER DRIER BRACKET                 | 1   |
| 44  | XX-H00341      | FILTER DRIER                         | 1   |
| 45  | X16316130005   | OUTER DRAIN PAN                      | 1   |
| 46  | XX-HC0008      | COMPRESSOR (DLE4.8CN/115V/R290)      | 1   |
| 47  | XX-HC0008K     | COMPRESSOR START KIT (DLE4.8CN)      | 1   |
| 47  | INCL IN ABOVE  | COMPRESSOR SPLICE BOX                | 1   |
| 48  | INCL IN ABOVE  | COMPRESSOR START CAPACITOR           | 1   |
| 49  | INCL IN ABOVE  | COMPRESSOR OVERLOAD PROTECTOR        | 1   |
| 50  | INCL IN ABOVE  | COMPRESSOR STARTER                   | 1   |
| 50  | X280012        | CAP TUBE ( 0.047 X 110.25) R290      | 1   |
| 51  | X2199001480    | PILASTER - 2 HOLES                   | 4   |
| 52  | X2199001321    | PILASTER - 3 HOLES                   | 4   |
| 53  | X5302000003    | K CLIP                               | 8   |
| 54  | XX-SH0036      | SHELF                                | 2   |
| 55  | X2199001587    | BACK GRILL                           | 1   |
| 56  | N/A            | FOAMING HOLE COVER                   | 2   |
| 57  | XX-DT0135      | DRAIN HOSE                           | 1   |
| 58  | XX-2194684     | POWER CORD                           | 1   |
| 59  | XX-THT002      | TEMPERATURE SENSOR OF CABINET INSIDE | 1   |
| 60  | XX-CC5838      | CONDENSER COIL                       | 1   |

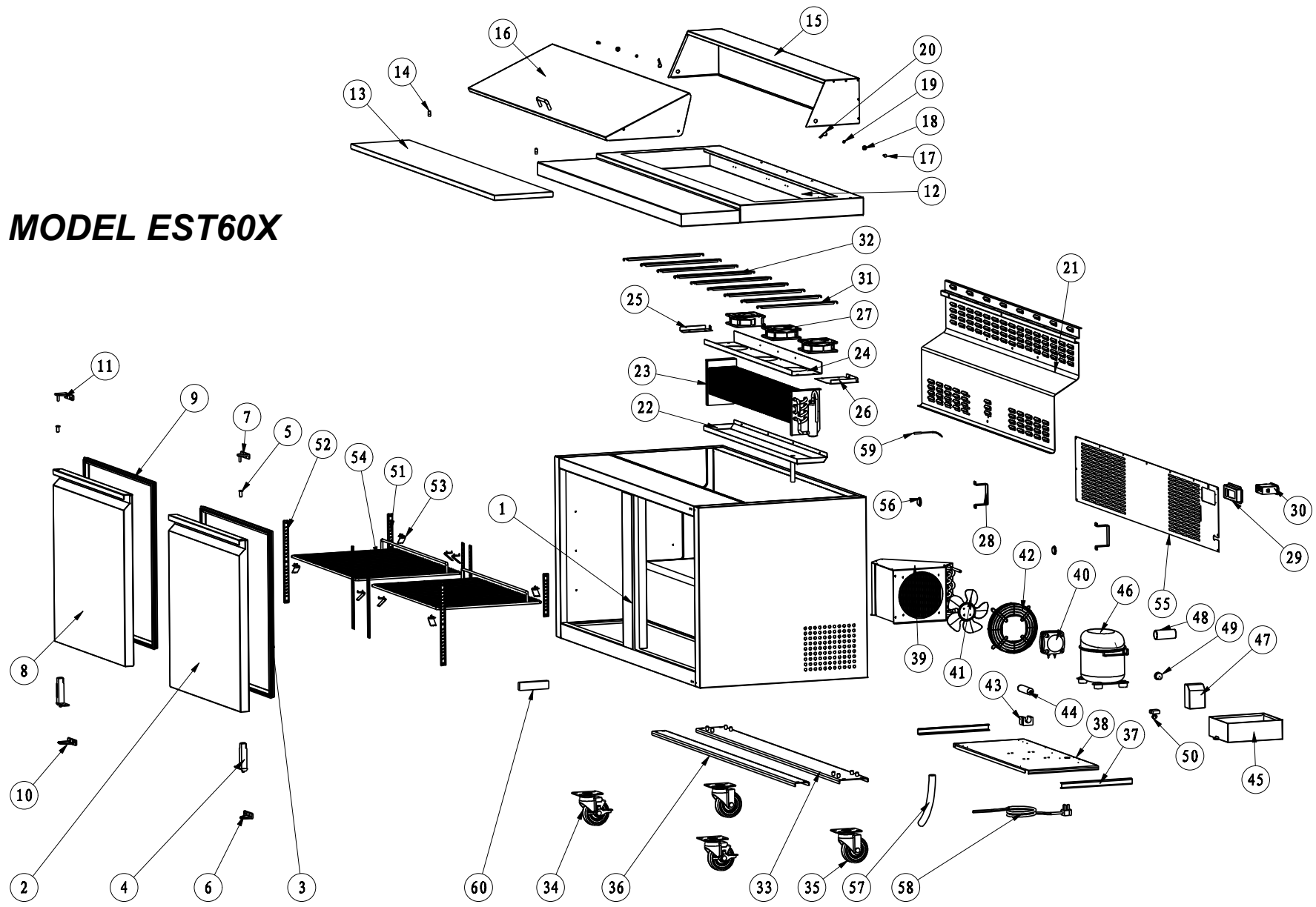
# MODEL EST46X



## MODEL EST46X

| NO. | PART #         | DESCRIPTION                          | QTY |
|-----|----------------|--------------------------------------|-----|
| 1   | N/A            | CABINET                              | 1   |
| 2   | XX-DR0201      | DOOR, RIGHT                          | 1   |
| 3   | XX-DG0202      | GASKET                               | 1   |
| 4   | XX-DC0328      | HINGE CARTRIDGE, SELF CLOSING        | 2   |
| 5   | XX-HA0326      | HINGE BUSHING                        | 2   |
| 6   | X12517140005   | HINGE BOTTOM RIGHT                   | 1   |
| 7   | X12517140004   | HINGE UPPER RIGHT                    | 1   |
| 8   | XX-DR0203      | DOOR, LEFT                           | 1   |
| 9   | XX-DG0202      | GASKET                               | 1   |
| 10  | X12517140003   | HINGE BOTTOM LEFT                    | 1   |
| 11  | X12517140002   | HINGE UPPER LEFT                     | 1   |
| 12  | N/A            | TOP BOARD                            | 1   |
| 13  | XX-CB0204      | CUTTING BOARD                        | 1   |
| 14  | XX-CBB106      | CUTTING BOARD BRACKET                | 2   |
| 15  | XX-BC0146      | HOOD                                 | 1   |
| 16  | XX-LD0206      | LID                                  | 1   |
| 17  | XX-LHKIT       | DOWEL                                | 2   |
| 17  | XX-LHKIT       | HINGE PIN ASSEMBLY                   | 2   |
| 18  | XX-LHKIT       | PLASTIC BOLT                         | 2   |
| 19  | XX-LHKIT       | NUT                                  | 2   |
| 20  | XX-LHKIT       | SPLIT PIN                            | 2   |
| 21  | XX-EC0207      | EVAPORATOR COVER                     | 1   |
| 22  | XX-IDP209      | INNER DRAIN PAN                      | 1   |
| 23  | XX-EVP210      | EVAPORATOR                           | 1   |
| 24  | XX-EM0211      | FAN MOTOR INSTALLATION PANEL         | 1   |
| 25  | N/A            | LEFT SUPPORT BRACKET                 | 1   |
| 26  | N/A            | RIGHT SUPPORT BRACKET                | 1   |
| 27  | X1003001114715 | EVAPORATOR FAN MOTOR                 | 2   |
| 28  | XX-RSB001      | STAND OFF BRACKET                    | 2   |
| 29  | N/A            | THERMOSTAT INSTALLATION BOARD        | 1   |
| 30  | X17709030003   | THERMOSTAT (XR02CX-4N0C1-XX)         | 1   |
| 31  | XX-PB0114      | PAN BRACKET-15                       | 2   |
| 32  | XX-PB0115      | PAN BRACKET-25                       | 5   |
| 33  | N/A            | CASTER SUPPORT                       | 1   |
| 34  | XX-SCB316      | 4" SWIVEL CASTER W/BRAKE             | 2   |
| 35  | XX-SC0317      | 4" SWIVEL CASTER W/O BRAKE           | 2   |
| 36  | N/A            | PANEL SUPPORT ASSEMBLY               | 1   |
| 37  | N/A            | SUPPORT PANEL GUIDE (L & R)          | 2   |
| 38  | N/A            | CONDENSER SUPPORT PANEL              | 1   |
| 39  | XX-CC5838      | CONDENSER COIL                       | 1   |
| 40  | XX-CFM001      | CONDENSER FAN MOTOR                  | 1   |
| 41  | XX-CFB001      | CONDENSER FAN BLADE                  | 1   |
| 42  | X22726010001   | CONDENSER FAN GUARD                  | 1   |
| 43  | N/A            | FILTER DRIER BRACKET                 | 1   |
| 44  | XX-H00341      | FILTER DRIER                         | 1   |
| 45  | X16316130008   | OUTER DRAIN PAN                      | 1   |
| 46  | XX-HC0009      | COMPRESSOR (DLE6.5CN/115V/R290)      | 1   |
| 47  | XX-HC0009K     | COMPRESSOR START KIT (DLE6.5CN)      | 1   |
| 47  | INCL IN ABOVE  | COMPRESSOR SPLICE BOX                | 1   |
| 48  | INCL IN ABOVE  | COMPRESSOR START CAPACITOR           | 1   |
| 49  | INCL IN ABOVE  | COMPRESSOR OVERLOAD PROTECTOR        | 1   |
| 50  | INCL IN ABOVE  | COMPRESSOR STARTER                   | 1   |
| 50  | X200012        | CAP TUBE ( 0.047 X 78.75) R290       |     |
| 51  | X2199001480    | PILASTER - 2 HOLES                   | 4   |
| 52  | X2199001321    | PILASTER - 3 HOLES                   | 4   |
| 53  | X5302000003    | K CLIP                               | 8   |
| 54  | XX-SH0048      | SHELF                                | 2   |
| 55  | X2199001598    | BACK GRILL                           | 1   |
| 56  | N/A            | FOAMING HOLE COVER                   | 2   |
| 57  | XX-DT0135      | DRAIN HOSE                           | 1   |
| 58  | XX-2194684     | POWER CORD                           | 1   |
| 59  | XX-THT002      | TEMPERATURE SENSOR OF CABINET INSIDE | 1   |
| 60  | X17799990002   | THERMOMETER                          | 1   |

# MODEL EST60X

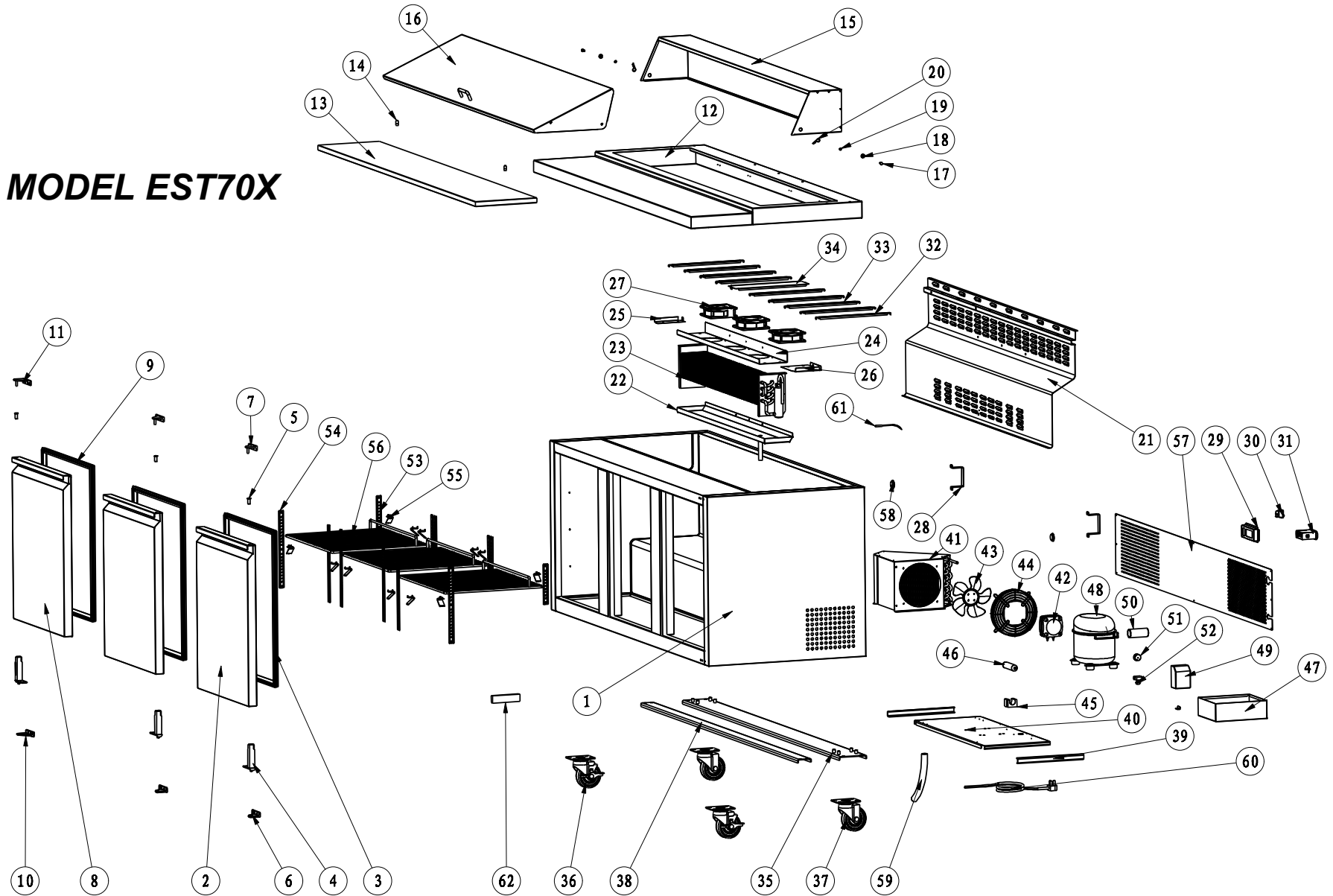




## MODEL EST60X

| NO. | PART #         | DESCRIPTION                          | QTY |
|-----|----------------|--------------------------------------|-----|
| 1   | N/A            | CABINET                              | 1   |
| 2   | XX-DR0601      | DOOR, RIGHT                          | 1   |
| 3   | XX-DG0602      | GASKET                               | 1   |
| 4   | XX-DC0328      | HINGE CARTRIDGE, SELF CLOSING        | 2   |
| 5   | XX-HA0326      | HINGE BUSHING                        | 2   |
| 6   | X12517140005   | HINGE BOTTOM RIGHT                   | 1   |
| 7   | X12517140004   | HINGE UPPER RIGHT                    | 1   |
| 8   | XX-DR0603      | DOOR, LEFT                           | 1   |
| 9   | XX-DG0602      | GASKET                               | 1   |
| 10  | X12517140003   | HINGE BOTTOM LEFT                    | 1   |
| 11  | X12517140002   | HINGE UPPER LEFT                     | 1   |
| 12  | N/A            | TOP BOARD                            | 1   |
| 13  | XX-CB0604      | CUTTING BOARD                        | 1   |
| 14  | XX-CBB106      | CUTTING BOARD BRACKET                | 2   |
| 15  | XX-BC0160      | HOOD                                 | 1   |
| 16  | XX-LD0606      | LID                                  | 1   |
| 17  | XX-LHKIT       | DOWEL                                | 2   |
| 17  | XX-LHKIT       | HINGE PIN ASSEMBLY                   | 2   |
| 18  | XX-LHKIT       | PLASTIC BOLT                         | 2   |
| 19  | XX-LHKIT       | NUT                                  | 2   |
| 20  | XX-LHKIT       | SPLIT PIN                            | 2   |
| 21  | XX-EC0607      | EVAPORATOR COVER                     | 1   |
| 22  | XX-IDP609      | INNER DRAIN PAN                      | 1   |
| 23  | XX-EVP610      | EVAPORATOR                           | 1   |
| 24  | XX-EM0611      | FAN MOTOR INSTALLATION PANEL         | 1   |
| 25  | N/A            | LEFT SUPPORT BRACKET                 | 1   |
| 26  | N/A            | RIGHT SUPPORT BRACKET                | 1   |
| 27  | X1003001114715 | EVAPORATOR FAN MOTOR                 | 3   |
| 28  | XX-RSB001      | STAND OFF BRACKET                    | 2   |
| 29  | N/A            | THERMOSTAT INSTALLATION BOARD        | 1   |
| 30  | X17709030003   | THERMOSTAT (XR02CX-4N0C1-XX)         | 1   |
| 31  | XX-PB0114      | PAN BRACKET-15                       | 2   |
| 32  | XX-PB0115      | PAN BRACKET-25                       | 7   |
| 33  | N/A            | CASTER SUPPORT                       | 1   |
| 34  | XX-SCB316      | 4" SWIVEL CASTER W/BRAKE             | 2   |
| 35  | XX-SC0317      | 4" SWIVEL CASTER W/O BRAKE           | 2   |
| 36  | N/A            | PANEL SUPPORT ASSEMBLY               | 1   |
| 37  | N/A            | SUPPORT PANEL GUIDE (L & R)          | 2   |
| 38  | N/A            | CONDENSER SUPPORT PANEL              | 1   |
| 39  | XX-CC5838      | CONDENSER COIL                       | 1   |
| 40  | XX-CFM001      | CONDENSER FAN MOTOR                  | 1   |
| 41  | XX-CFB001      | CONDENSER FAN BLADE                  | 1   |
| 42  | X22726010001   | CONDENSER FAN GUARD                  | 1   |
| 43  | N/A            | FILTER DRIER BRACKET                 | 1   |
| 44  | XX-H00341      | FILTER DRIER                         | 1   |
| 45  | X16316130008   | OUTER DRAIN PAN                      | 1   |
| 46  | XX-HC0009      | COMPRESSOR (DLE6.5CN/115V/R290)      | 1   |
| 47  | XX-HC0009K     | COMPRESSOR START KIT (DLE6.5CN)      | 1   |
| 47  | INCL IN ABOVE  | COMPRESSOR SPLICE BOX                | 1   |
| 48  | INCL IN ABOVE  | COMPRESSOR START CAPACITOR           | 1   |
| 49  | INCL IN ABOVE  | COMPRESSOR OVERLOAD PROTECTOR        | 1   |
| 50  | INCL IN ABOVE  | COMPRESSOR STARTER                   | 1   |
| 50  | X200012        | CAP TUPE (0.047 X 78.75) R290        | 1   |
| 51  | X2199001480    | PILASTER - 2 HOLES                   | 4   |
| 52  | X2199001321    | PILASTER - 3 HOLES                   | 4   |
| 53  | X5302000003    | K CLIP                               | 8   |
| 54  | XX-SH0060      | SHELF                                | 2   |
| 55  | X2199001610    | BACK GRILL                           | 1   |
| 56  | N/A            | FOAMING HOLE COVER                   | 2   |
| 57  | XX-DT0135      | DRAIN HOSE                           | 1   |
| 58  | XX-2194684     | POWER CORD                           | 1   |
| 59  | XX-THT002      | TEMPERATURE SENSOR OF CABINET INSIDE | 1   |
| 60  | X17799990002   | THERMOMETER                          | 1   |

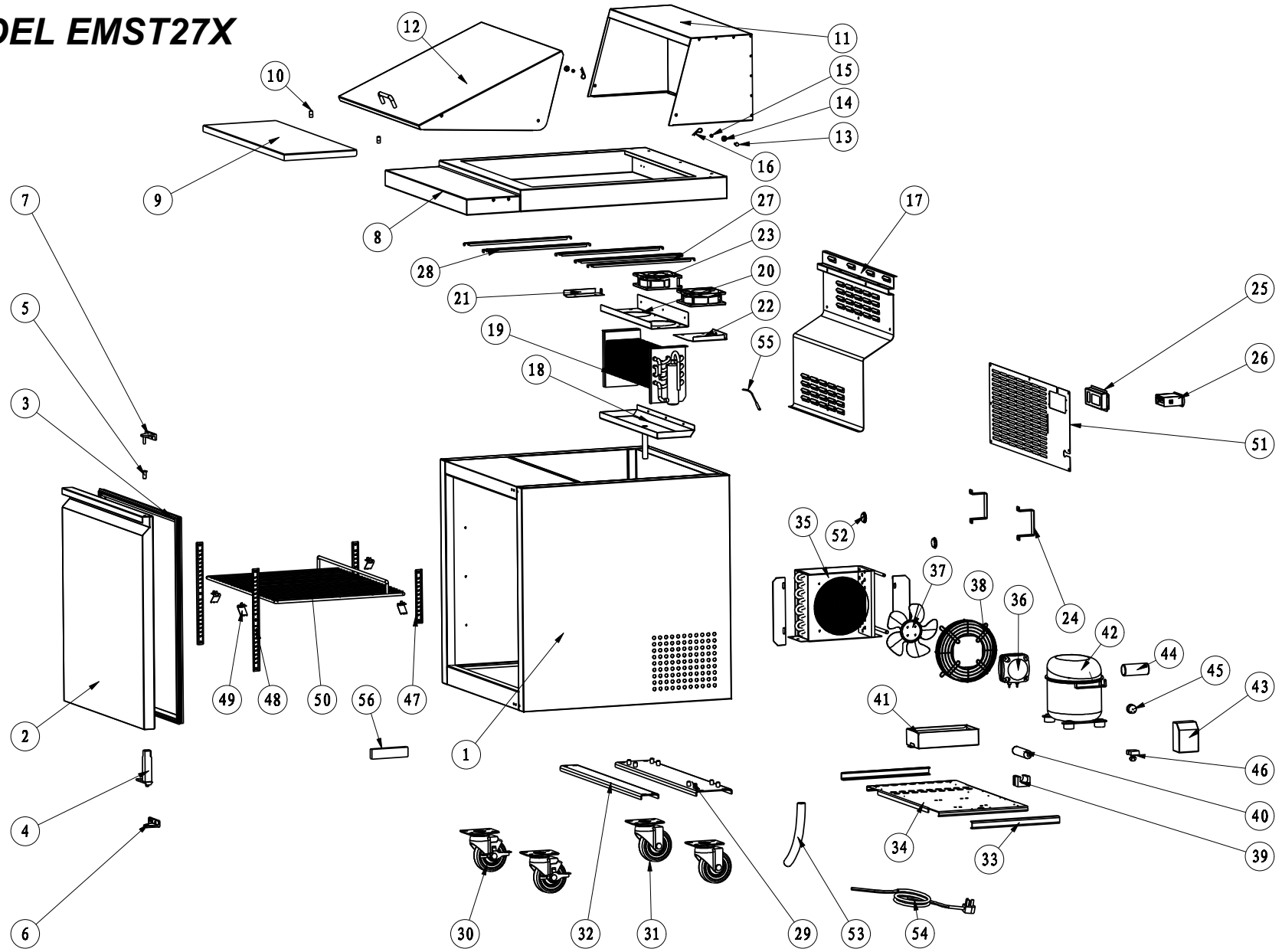
# MODEL EST70X



## MODEL EST70X

| NO. | PART #         | DESCRIPTION                          | QTY |
|-----|----------------|--------------------------------------|-----|
| 1   | N/A            | CABINET                              | 1   |
| 2   | XX-DR0201      | DOOR, RIGHT                          | 2   |
| 3   | XX-DG0202      | GASKET                               | 2   |
| 4   | XX-DC0328      | HINGE CARTRIDGE, SELF CLOSING        | 3   |
| 5   | XX-HA0326      | HINGE BUSHING                        | 3   |
| 6   | X12517140005   | HINGE BOTTOM RIGHT                   | 1   |
| 7   | X12517140004   | HINGE UPPER RIGHT                    | 1   |
| 8   | XX-DR0203      | DOOR, LEFT                           | 1   |
| 9   | XX-DG0602      | GASKET                               | 1   |
| 10  | X12517140003   | HINGE BOTTOM LEFT                    | 1   |
| 11  | X12517140002   | HINGE UPPER LEFT                     | 1   |
| 12  | N/A            | TOP BOARD                            | 1   |
| 13  | XX-CB0304      | CUTTING BOARD                        | 1   |
| 14  | XX-CBB106      | CUTTING BOARD BRACKET                | 2   |
| 15  | XX-BC0170      | HOOD                                 | 1   |
| 16  | XX-LD0308      | LID                                  | 1   |
| 17  | XX-LHKIT       | DOWEL                                | 2   |
| 17  | XX-LHKIT       | HINGE PIN ASSEMBLY                   | 2   |
| 18  | XX-LHKIT       | PLASTIC BOLT                         | 2   |
| 19  | XX-LHKIT       | NUT                                  | 2   |
| 20  | XX-LHKIT       | SPLIT PIN                            | 2   |
| 21  | XX-EC0309      | EVAPORATOR COVER                     | 1   |
| 22  | XX-IDP311      | INNER DRAIN PAN                      | 1   |
| 23  | XX-EVP610      | EVAPORATOR                           | 1   |
| 24  | XX-EM0611      | FAN MOTOR INSTALLATION PANEL         | 1   |
| 25  | N/A            | LEFT SUPPORT BRACKET                 | 1   |
| 26  | N/A            | RIGHT SUPPORT BRACKET                | 1   |
| 27  | X1003001114715 | EVAPORATOR FAN MOTOR                 | 3   |
| 28  | XX-RSB001      | STAND OFF BRACKET                    | 2   |
| 29  | N/A            | THERMOSTAT INSTALLATION BOARD        | 1   |
| 30  | XR10056        | POWER SWITCH                         | 1   |
| 31  | X17709030003   | THERMOSTAT (XR02CX-4N0C1-XX)         | 1   |
| 32  | XX-PB0114      | PAN BRACKET-15                       | 2   |
| 33  | XX-PB0115      | PAN BRACKET-25                       | 7   |
| 34  | XX-PB0619      | PAN BRACKET-90                       | 1   |
| 35  | N/A            | CASTER SUPPORT                       | 1   |
| 36  | XX-SCB316      | 4" SWIVEL CASTER W/BRAKE             | 2   |
| 37  | XX-SC0317      | 4" SWIVEL CASTER W/O BRAKE           | 2   |
| 38  | N/A            | PANEL SUPPORT ASSEMBLY               | 1   |
| 39  | N/A            | SUPPORT PANEL GUIDE (L & R)          | 2   |
| 40  | N/A            | CONDENSER SUPPORT PANEL              | 1   |
| 41  | XX-CC5838      | CONDENSER COIL                       | 1   |
| 42  | XX-CFM001      | CONDENSER FAN MOTOR                  | 1   |
| 43  | XX-CFB001      | CONDENSER FAN BLADE                  | 1   |
| 44  | X22726010001   | CONDENSER FAN GUARD                  | 1   |
| 45  | N/A            | FILTER DRIER BRACKET                 | 1   |
| 46  | XX-H00341      | FILTER DRIER                         | 1   |
| 47  | X16316130008   | OUTER DRAIN PAN                      | 1   |
| 48  | XX-HC0007      | COMPRESSOR (NLE10CN/115V/60HZ/R290)  | 1   |
| 49  | XX-STARTKITHC7 | COMPRESSOR START KIT (NLE10CN)       |     |
| 49  | INCL IN ABOVE  | COMPRESSOR SPLICE BOX                | 1   |
| 50  | INCL IN ABOVE  | COMPRESSOR START CAPACITOR           | 1   |
| 51  | INCL IN ABOVE  | COMPRESSOR OVERLOAD PROTECTOR        | 1   |
| 52  | INCL IN ABOVE  | COMPRESSOR STARTER                   | 1   |
| 52  | X240014        | CAP TUBE (0.055 X 94.5) R290         | 1   |
| 53  | X2199001480    | PILASTER - 2 HOLES                   | 6   |
| 54  | X2199001321    | PILASTER - 3 HOLES                   | 6   |
| 55  | X5302000003    | K CLIP                               | 12  |
| 56  | XX-SH0070      | SHELF                                | 3   |
| 57  | X2199001620    | BACK GRILL                           | 1   |
| 58  | N/A            | FOAMING HOLE COVER                   | 2   |
| 59  | XX-DT0135      | DRAIN HOSE                           | 1   |
| 60  | XX-2194684     | POWER CORD                           | 1   |
| 61  | XX-THT002      | TEMPERATURE SENSOR OF CABINET INSIDE | 1   |
| 62  | X17799990002   | THERMOMETER                          | 1   |

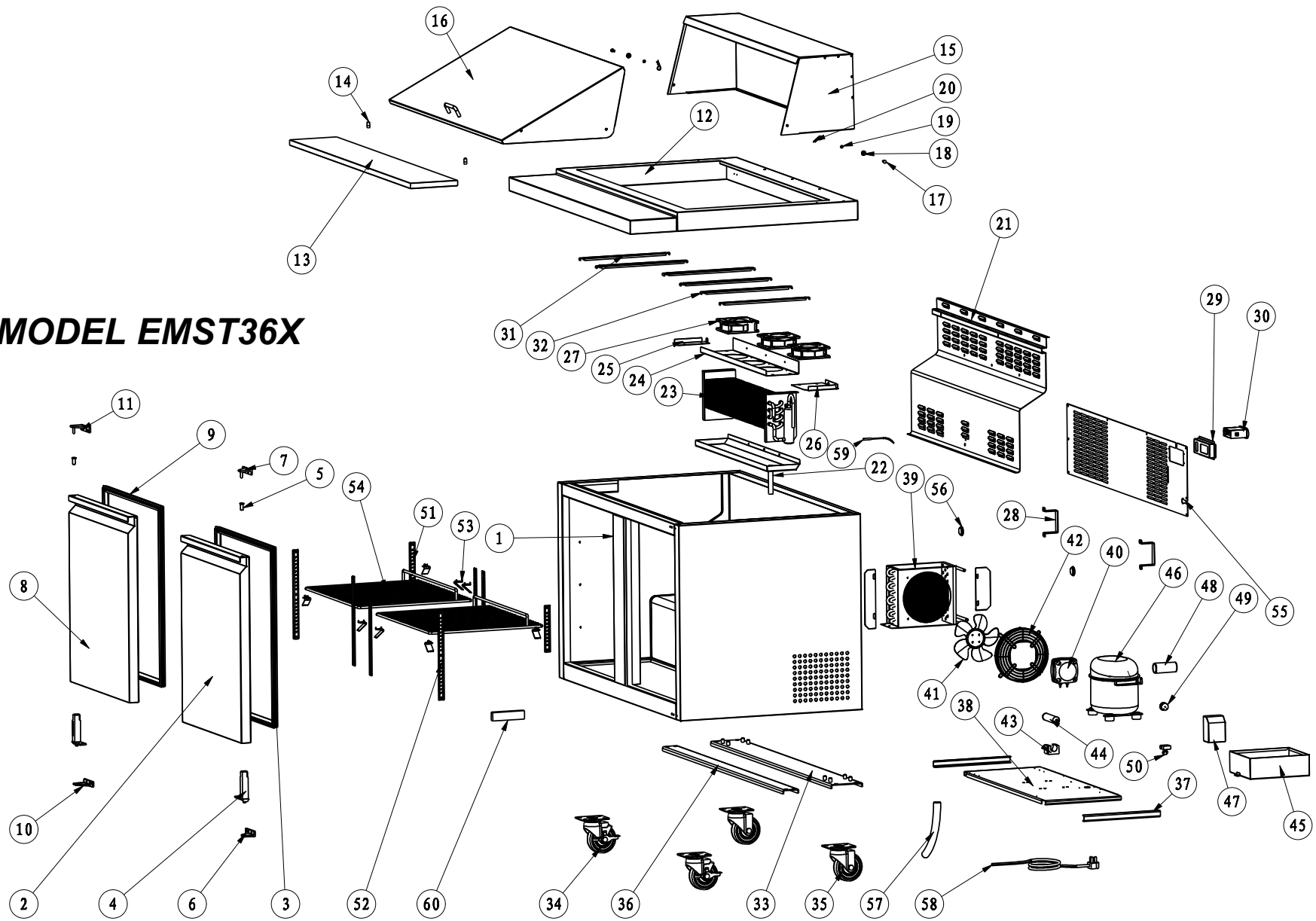
# MODEL EMST27X



## MODEL EMST27X

| NO. | PART #         | DESCRIPTION                          | QTY |
|-----|----------------|--------------------------------------|-----|
| 1   | N/A            | CABINET                              | 1   |
| 2   | XX-DR0101      | DOOR                                 | 1   |
| 3   | XX-DG0102      | GASKET                               | 1   |
| 4   | XX-DC0328      | HINGE CARTRIDGE, SELF CLOSING        | 1   |
| 5   | XX-HA0326      | HINGE BUSHING                        | 1   |
| 6   | X12517140005   | HINGE BOTTOM RIGHT                   | 1   |
| 7   | X12517140004   | HINGE UPPER RIGHT                    | 1   |
| 8   | N/A            | TOP BOARD                            | 1   |
| 9   | XX-CBM101      | CUTTING BOARD                        | 1   |
| 10  | XX-CBB106      | CUTTING BOARD BRACKET                | 2   |
| 11  | XX-BCM104      | HOOD                                 | 1   |
| 12  | XX-LDM103      | LID                                  | 1   |
| 13  | XX-LHKIT       | DOWEL                                | 2   |
| 13  | XX-LHKIT       | HINGE PIN ASSEMBLY                   | 2   |
| 14  | XX-LHKIT       | PLASTIC BOLT                         | 2   |
| 15  | XX-LHKIT       | NUT                                  | 2   |
| 16  | XX-LHKIT       | SPLIT PIN                            | 2   |
| 17  | XX-EC0108      | EVAPORATOR COVER                     | 1   |
| 18  | XX-IDP012      | INNER DRAIN PAN                      | 1   |
| 19  | XX-EVP110      | EVAPORATOR                           | 1   |
| 20  | XX-EMM105      | FAN MOTOR INSTALLATION PANEL         | 1   |
| 21  | N/A            | LEFT SUPPORT BRACKET                 | 1   |
| 22  | N/A            | RIGHT SUPPORT BRACKET                | 1   |
| 23  | X1003001114715 | EVAPORATOR FAN MOTOR                 | 2   |
| 24  | XX-RSB001      | STAND OFF BRACKET                    | 2   |
| 25  | N/A            | THERMOSTAT INSTALLATION BOARD        | 1   |
| 26  | X17709030003   | THERMOSTAT (XR02CX-4N0C1-XX)         | 1   |
| 27  | XX-PBM578      | PAN BRACKET-15                       | 2   |
| 28  | XX-PBM579      | PAN BRACKET-25                       | 3   |
| 29  | N/A            | CASTER SUPPORT                       | 1   |
| 30  | XX-SCB316      | 4" SWIVEL CASTER W/BRAKE             | 2   |
| 31  | XX-SC0317      | 4" SWIVEL CASTER W/O BRAKE           | 2   |
| 32  | N/A            | PANEL SUPPORT ASSEMBLY               | 1   |
| 33  | N/A            | SUPPORT PANEL GUIDE (L & R)          | 2   |
| 34  | N/A            | CONDENSER SUPPORT PANEL              | 1   |
| 35  | XX-CC5838      | CONDENSER COIL                       | 1   |
| 36  | XX-CFM001      | CONDENSER FAN MOTOR                  | 1   |
| 37  | XX-CFB001      | CONDENSER FAN BLADE                  | 1   |
| 38  | X22726010001   | CONDENSER FAN GUARD                  | 1   |
| 39  | N/A            | FILTER DRIER BRACKET                 | 1   |
| 40  | XX-H00341      | FILTER DRIER                         | 1   |
| 41  | X16316130005   | OUTER DRAIN PAN                      | 1   |
| 42  | XX-HC0008      | COMPRESSOR (DLE4.8CN/115V/R290)      | 1   |
| 43  | XX-HC0008K     | COMPRESSOR STARK KIT (DLE4.8CN)      | 1   |
| 43  | INCL IN ABOVE  | COMPRESSOR SPLICE BOX                | 1   |
| 44  | INCL IN ABOVE  | COMPRESSOR START CAPACITOR           | 1   |
| 45  | INCL IN ABOVE  | COMPRESSOR OVERLOAD PROTECTOR        | 1   |
| 46  | INCL IN ABOVE  | COMPRESSOR STARTER                   | 1   |
| 46  | X200010        | CAP TUBE ( 0.039 X 78.75) R290       |     |
| 47  | X2199001480    | PILASTER - 2 HOLES                   | 2   |
| 48  | X2199001321    | PILASTER - 3 HOLES                   | 2   |
| 49  | X5302000003    | K CLIP                               | 4   |
| 50  | XX-SH0029      | SHELF                                | 1   |
| 51  | X2199001574    | BACK GRILL                           | 1   |
| 52  | N/A            | FOAMING HOLE COVER                   | 2   |
| 53  | XX-DT0135      | DRAIN HOSE                           | 1   |
| 54  | XX-2194684     | POWER CORD                           | 1   |
| 55  | XX-THT002      | TEMPERATURE SENSOR OF CABINET INSIDE | 1   |
| 56  | X17799990002   | THERMOMETER                          | 1   |

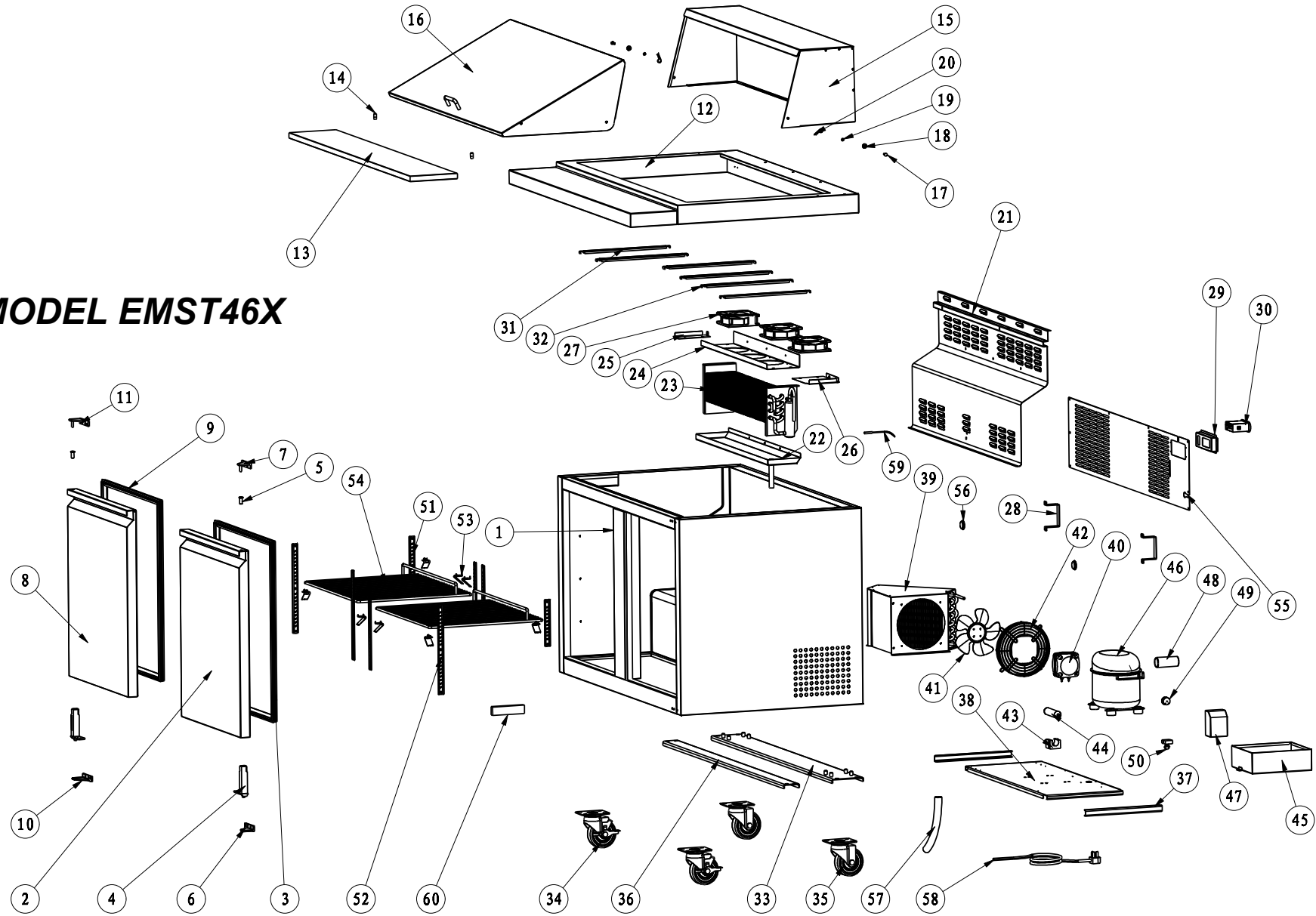
# MODEL EMST36X



## MODEL EMST36X

| NO. | PART #         | DESCRIPTION                          | QTY |
|-----|----------------|--------------------------------------|-----|
| 1   | N/A            | CABINET                              | 1   |
| 2   | XX-DR0236      | DOOR, RIGHT                          | 1   |
| 3   | XX-DG0236      | GASKET                               | 1   |
| 4   | XX-DC0328      | HINGE CARTRIDGE, SELF CLOSING        | 2   |
| 5   | XX-HA0326      | HINGE BUSHING                        | 2   |
| 6   | X12517140005   | HINGE BOTTOM RIGHT                   | 1   |
| 7   | X12517140004   | HINGE UPPER RIGHT                    | 1   |
| 8   | XX-DR0237      | DOOR, LEFT                           | 1   |
| 9   | XX-DG0236      | GASKET                               | 1   |
| 10  | X12517140003   | HINGE BOTTOM LEFT                    | 1   |
| 11  | X12517140002   | HINGE UPPER LEFT                     | 1   |
| 12  | N/A            | TOP BOARD                            | 1   |
| 13  | XX-CBM401      | CUTTING BOARD                        | 1   |
| 14  | XX-CBB106      | CUTTING BOARD BRACKET                | 2   |
| 15  | XX-BCM136      | HOOD                                 | 1   |
| 16  | XX-LDM236      | LID                                  | 1   |
| 17  | XX-LHKIT       | DOWEL                                | 2   |
| 17  | XX-LHKIT       | HINGE PIN ASSEMBLY                   | 2   |
| 18  | XX-LHKIT       | PLASTIC BOLT                         | 2   |
| 19  | XX-LHKIT       | NUT                                  | 2   |
| 20  | XX-LHKIT       | SPLIT PIN                            | 2   |
| 21  | XX-EC0604      | EVAPORATOR COVER                     | 1   |
| 22  | XX-IDP209      | INNER DRAIN PAN                      | 1   |
| 23  | XX-EVP210      | EVAPORATOR                           | 1   |
| 24  | XX-EMM206      | FAN MOTOR INSTALLATION PANEL         | 1   |
| 25  | N/A            | LEFT SUPPORT BRACKET                 | 1   |
| 26  | N/A            | RIGHT SUPPORT BRACKET                | 1   |
| 27  | X1003001114715 | EVAPORATOR FAN MOTOR                 | 3   |
| 28  | XX-RSB001      | STAND OFF BRACKET                    | 2   |
| 29  | N/A            | THERMOSTAT INSTALLATION BOARD        | 1   |
| 30  | X17709030003   | THERMOSTAT (XR02CX-4N0C1-XX)         | 1   |
| 31  | XX-PBM578      | PAN BRACKET-15                       | 2   |
| 32  | XX-PBM579      | PAN BRACKET-25                       | 4   |
| 33  | N/A            | CASTER SUPPORT                       | 1   |
| 34  | XX-SCB316      | 4" SWIVEL CASTER W/BRAKE             | 2   |
| 35  | XX-SC0317      | 4" SWIVEL CASTER W/O BRAKE           | 2   |
| 36  | N/A            | PANEL SUPPORT ASSEMBLY               | 1   |
| 37  | N/A            | SUPPORT PANEL GUIDE (L & R)          | 2   |
| 38  | N/A            | CONDENSER SUPPORT PANEL              | 1   |
| 39  | XX-CC5838      | CONDENSER COIL                       | 1   |
| 40  | XX-CFM001      | CONDENSER FAN MOTOR                  | 1   |
| 41  | XX-CFB001      | CONDENSER FAN BLADE                  | 1   |
| 42  | X22726010001   | CONDENSER FAN GUARD                  | 1   |
| 43  | N/A            | FILTER DRIER BRACKET                 | 1   |
| 44  | XX-H00341      | FILTER DRIER                         | 1   |
| 45  | X16316130005   | OUTER DRAIN PAN                      | 1   |
| 46  | XX-HC0008      | COMPRESSOR (DLE4.8CN/115V/R290)      | 1   |
| 47  | XX-HC0008K     | COMPRESSOR START KIT (DLE4.8CN)      | 1   |
| 47  | INCL IN ABOVE  | COMPRESSOR SPLICE BOX                | 1   |
| 48  | INCL IN ABOVE  | COMPRESSOR START CAPACITOR           | 1   |
| 49  | INCL IN ABOVE  | COMPRESSOR OVERLOAD PROTECTOR        | 1   |
| 50  | INCL IN ABOVE  | COMPRESSOR STARTER                   | 1   |
| 50  | X280012        | CAP TUBE (0.047 X 110.25) R290       | 1   |
| 51  | X2199001480    | PILASTER - 2 HOLES                   | 4   |
| 52  | X2199001321    | PILASTER - 3 HOLES                   | 4   |
| 53  | X5302000003    | K CLIP                               | 8   |
| 54  | XX-SH0036      | SHELF                                | 2   |
| 55  | X2199001587    | BACK GRILL                           | 1   |
| 56  | N/A            | FOAMING HOLE COVER                   | 2   |
| 57  | XX-DT0135      | DRAIN HOSE                           | 1   |
| 58  | XX-2194684     | POWER CORD                           | 1   |
| 59  | XX-THT002      | TEMPERATURE SENSOR OF CABINET INSIDE | 1   |
| 60  | X17799990002   | THERMOMETER                          | 1   |

# MODEL EMST46X

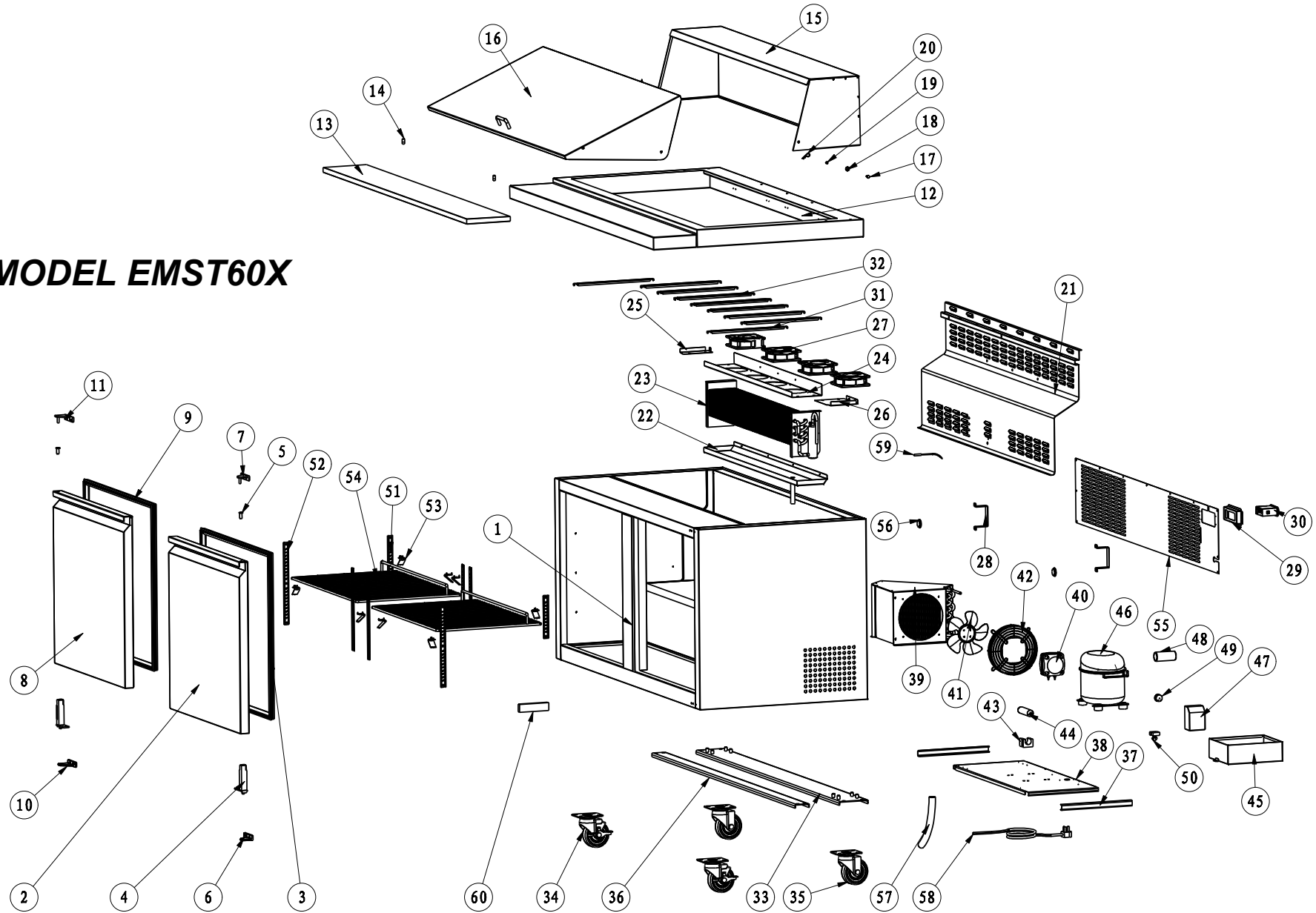




## MODEL EMST46X

| NO. | PART #         | DESCRIPTION                          | QTY |
|-----|----------------|--------------------------------------|-----|
| 1   | N/A            | CABINET                              | 1   |
| 2   | XX-DR0201      | DOOR, RIGHT                          | 1   |
| 3   | XX-DG0202      | GASKET                               | 1   |
| 4   | XX-DC0328      | HINGE CARTRIDGE, SELF CLOSING        | 2   |
| 5   | XX-HA0326      | HINGE BUSHING                        | 2   |
| 6   | X12517140005   | HINGE BOTTOM RIGHT                   | 1   |
| 7   | X12517140004   | HINGE UPPER RIGHT                    | 1   |
| 8   | XX-DR0203      | DOOR, LEFT                           | 1   |
| 9   | XX-DG0202      | GASKET                               | 1   |
| 10  | X12517140003   | HINGE BOTTOM LEFT                    | 1   |
| 11  | X12517140002   | HINGE UPPER LEFT                     | 1   |
| 12  | N/A            | TOP BOARD                            | 1   |
| 13  | XX-CBM201      | CUTTING BOARD                        | 1   |
| 14  | XX-CBB106      | CUTTING BOARD BRACKET                | 2   |
| 15  | XX-BCM146      | HOOD                                 | 1   |
| 16  | XX-LDM203      | LID                                  | 1   |
| 17  | XX-LHKIT       | DOWEL                                | 2   |
| 17  | XX-LHKIT       | HINGE PIN ASSEMBLY                   | 2   |
| 18  | XX-LHKIT       | PLASTIC BOLT                         | 2   |
| 19  | XX-LHKIT       | NUT                                  | 2   |
| 20  | XX-LHKIT       | SPLIT PIN                            | 2   |
| 21  | XX-EC0207      | EVAPORATOR COVER                     | 1   |
| 22  | XX-IDP209      | INNER DRAIN PAN                      | 1   |
| 23  | XX-EVP210      | EVAPORATOR                           | 1   |
| 24  | XX-EMM206      | FAN MOTOR INSTALLATION PANEL         | 1   |
| 25  | N/A            | LEFT SUPPORT BRACKET                 | 1   |
| 26  | N/A            | RIGHT SUPPORT BRACKET                | 1   |
| 27  | X1003001114715 | EVAPORATOR FAN MOTOR                 | 3   |
| 28  | XX-RSB001      | STAND OFF BRACKET                    | 2   |
| 29  | N/A            | THERMOSTAT INSTALLATION BOARD        | 1   |
| 30  | X17709030003   | THERMOSTAT (XR02CX-4N0C1-XX)         | 1   |
| 31  | XX-PBM578      | PAN BRACKET-15                       | 2   |
| 32  | XX-PBM579      | PAN BRACKET-25                       | 5   |
| 33  | N/A            | CASTER SUPPORT                       | 1   |
| 34  | XX-SCB316      | 4" SWIVEL CASTER W/BRAKE             | 2   |
| 35  | XX-SC0317      | 4" SWIVEL CASTER W/O BRAKE           | 2   |
| 36  | N/A            | PANEL SUPPORT ASSEMBLY               | 1   |
| 37  | N/A            | SUPPORT PANEL GUIDE (L & R)          | 2   |
| 38  | N/A            | CONDENSER SUPPORT PANEL              | 1   |
| 39  | XX-CC5838      | CONDENSER COIL                       | 1   |
| 40  | XX-CFM001      | CONDENSER FAN MOTOR                  | 1   |
| 41  | XX-CFB001      | CONDENSER FAN BLADE                  | 1   |
| 42  | X22726010001   | CONDENSER FAN GUARD                  | 1   |
| 43  | N/A            | FILTER DRIER BRACKET                 | 1   |
| 44  | XX-H00341      | FILTER DRIER                         | 1   |
| 45  | X16316130008   | OUTER DRAIN PAN                      | 1   |
| 46  | XX-HC0009      | COMPRESSOR (DLE6.5CN/115V/R290)      | 1   |
| 47  | INCL IN ABOVE  | COMPRESSOR SPLICE BOX                | 1   |
| 48  | INCL IN ABOVE  | COMPRESSOR START CAPACITOR           | 1   |
| 49  | INCL IN ABOVE  | COMPRESSOR OVERLOAD PROTECTOR        | 1   |
| 50  | INCL IN ABOVE  | COMPRESSOR STARTER                   | 1   |
| 50  | X200012        | CAP TUBE (0.047 X 78.75) R290        | 1   |
| 51  | X2199001480    | PILASTER - 2 HOLES                   | 4   |
| 52  | X2199001321    | PILASTER - 3 HOLES                   | 4   |
| 53  | X5302000003    | K CLIP                               | 8   |
| 54  | XX-SH0048      | SHELF                                | 2   |
| 55  | X2199001598    | BACK GRILL                           | 1   |
| 56  | N/A            | FOAMING HOLE COVER                   | 2   |
| 57  | XX-DT0135      | DRAIN HOSE                           | 1   |
| 58  | XX-2194684     | POWER CORD                           | 1   |
| 59  | XX-THT002      | TEMPERATURE SENSOR OF CABINET INSIDE | 1   |
| 60  | X17799990002   | THERMOMETER                          | 1   |

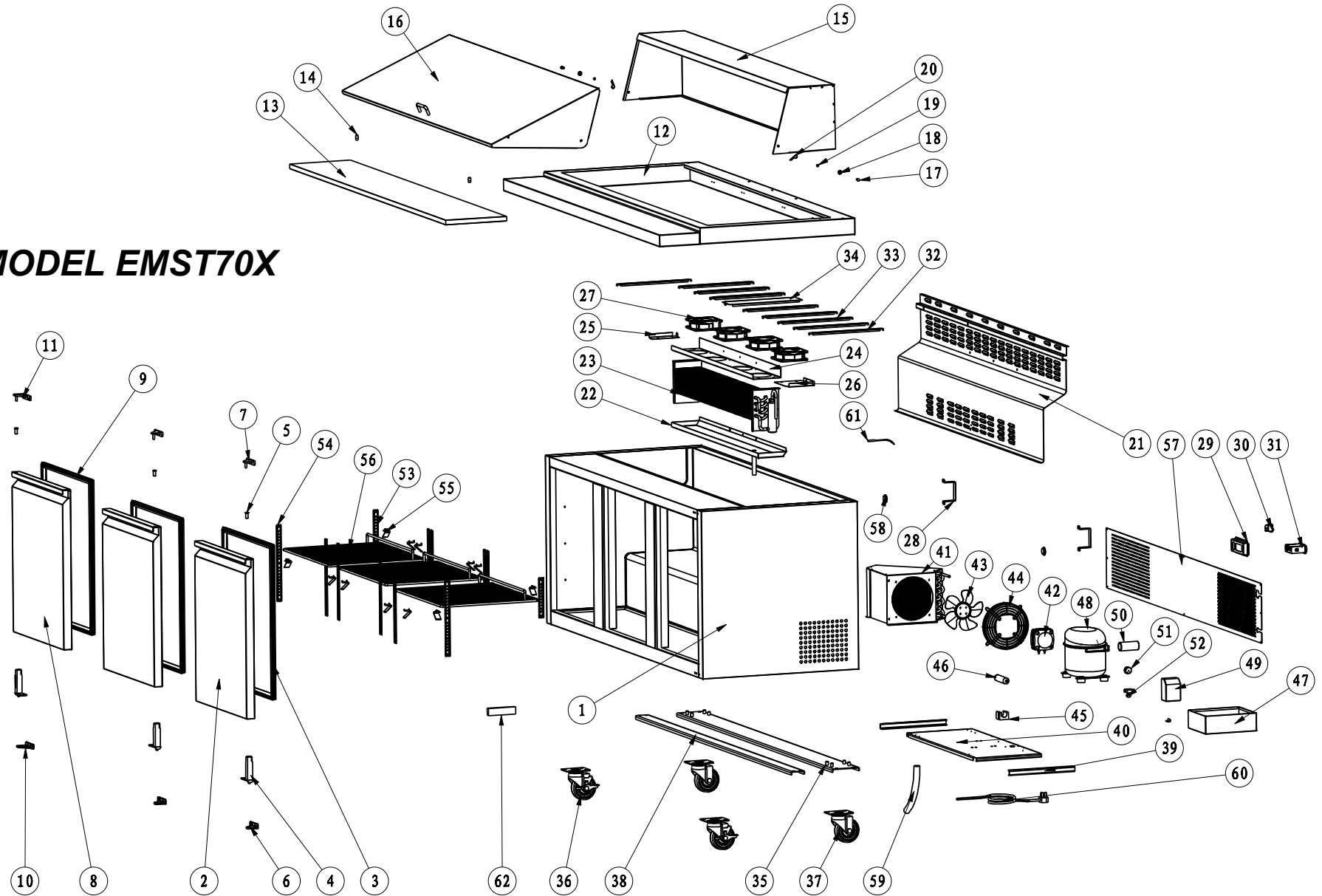
# MODEL EMST60X



## MODEL EMST60X

| NO. | PART #         | DESCRIPTION                          | QTY |
|-----|----------------|--------------------------------------|-----|
| 1   | N/A            | CABINET                              | 1   |
| 2   | XX-DR0601      | DOOR, RIGHT                          | 1   |
| 3   | XX-DG0602      | GASKET                               | 1   |
| 4   | XX-DC0328      | HINGE CARTRIDGE, SELF CLOSING        | 2   |
| 5   | XX-HA0326      | HINGE BUSHING                        | 2   |
| 6   | X12517140005   | HINGE BOTTOM RIGHT                   | 1   |
| 7   | X12517140004   | HINGE UPPER RIGHT                    | 1   |
| 8   | XX-DR0603      | DOOR, LEFT                           | 1   |
| 9   | XX-DG0602      | GASKET                               | 1   |
| 10  | X12517140003   | HINGE BOTTOM LEFT                    | 1   |
| 11  | X12517140002   | HINGE UPPER LEFT                     | 1   |
| 12  | N/A            | TOP BOARD                            | 1   |
| 13  | XX-CBM601      | CUTTING BOARD                        | 1   |
| 14  | XX-CBB106      | CUTTING BOARD BRACKET                | 2   |
| 15  | XX-BCM160      | HOOD                                 | 1   |
| 16  | XX-LDM603      | LID                                  | 1   |
| 17  | XX-LHKIT       | DOWEL                                | 2   |
| 17  | XX-LHKIT       | HINGE PIN ASSEMBLY                   | 2   |
| 18  | XX-LHKIT       | PLASTIC BOLT                         | 2   |
| 19  | XX-LHKIT       | NUT                                  | 2   |
| 20  | XX-LHKIT       | SPLIT PIN                            | 2   |
| 21  | XX-EC0607      | EVAPORATOR COVER                     | 1   |
| 22  | XX-IDP609      | INNER DRAIN PAN                      | 1   |
| 23  | XX-EVP610      | EVAPORATOR                           | 1   |
| 24  | XX-EMM606      | FAN MOTOR INSTALLATION PANEL         | 1   |
| 25  | N/A            | LEFT SUPPORT BRACKET                 | 1   |
| 26  | N/A            | RIGHT SUPPORT BRACKET                | 1   |
| 27  | X1003001114715 | EVAPORATOR FAN MOTOR                 | 4   |
| 28  | XX-RSB001      | STAND OFF BRACKET                    | 2   |
| 29  | N/A            | THERMOSTAT INSTALLATION BOARD        | 1   |
| 30  | X17709030003   | THERMOSTAT (XR02CX-4N0C1-XX)         | 1   |
| 31  | XX-PBM578      | PAN BRACKET-15                       | 2   |
| 32  | XX-PBM579      | PAN BRACKET-25                       | 7   |
| 33  | N/A            | CASTER SUPPORT                       | 1   |
| 34  | XX-SCB316      | 4" SWIVEL CASTER W/BRAKE             | 2   |
| 35  | XX-SC0317      | 4" SWIVEL CASTER W/O BRAKE           | 2   |
| 36  | N/A            | PANEL SUPPORT ASSEMBLY               | 1   |
| 37  | N/A            | SUPPORT PANEL GUIDE (L & R)          | 2   |
| 38  | N/A            | CONDENSER SUPPORT PANEL              | 1   |
| 39  | XX-CC5838      | CONDENSER COIL                       | 1   |
| 40  | XX-CFM001      | CONDENSER FAN MOTOR                  | 1   |
| 41  | XX-CFB001      | CONDENSER FAN BLADE                  | 1   |
| 42  | X22726010001   | CONDENSER FAN GUARD                  | 1   |
| 43  | N/A            | FILTER DRIER BRACKET                 | 1   |
| 44  | XX-H00341      | FILTER DRIER                         | 1   |
| 45  | X16316130008   | OUTER DRAIN PAN                      | 1   |
| 46  | XX-HC0009      | COMPRESSOR (DLE6.5CN/115V/R290)      | 1   |
| 47  | XX-HC0009K     | COMPRESSOR START KIT (DLE6.5CN)      | 1   |
| 47  | INCL IN ABOVE  | COMPRESSOR SPLICE BOX                | 1   |
| 48  | INCL IN ABOVE  | COMPRESSOR START CAPACITOR           | 1   |
| 49  | INCL IN ABOVE  | COMPRESSOR OVERLOAD PROTECTOR        | 1   |
| 50  | INCL IN ABOVE  | COMPRESSOR STARTER                   | 1   |
| 50  | X200012        | CAP TUBE ( 0.047 X 78.75) R290       |     |
| 51  | X2199001480    | PILASTER - 2 HOLES                   | 4   |
| 52  | X2199001321    | PILASTER - 3 HOLES                   | 4   |
| 53  | X5302000003    | K CLIP                               | 8   |
| 54  | XX-SH0060      | SHELF                                | 2   |
| 55  | X2199001610    | BACK GRILL                           | 1   |
| 56  | N/A            | FOAMING HOLE COVER                   | 2   |
| 57  | XX-DT0135      | DRAIN HOSE                           | 1   |
| 58  | XX-2194684     | POWER CORD                           | 1   |
| 59  | XX-THT002      | TEMPERATURE SENSOR OF CABINET INSIDE | 1   |
| 60  | X17799990002   | THERMOMETER                          | 1   |

# MODEL EMST70X



## MODEL EMST70X

| NO. | PART #         | DESCRIPTION                          | QTY |
|-----|----------------|--------------------------------------|-----|
| 1   | N/A            | CABINET                              | 1   |
| 2   | XX-DR0201      | DOOR, RIGHT                          | 2   |
| 3   | XX-DG0202      | GASKET                               | 2   |
| 4   | XX-DC0328      | HINGE CARTRIDGE, SELF CLOSING        | 3   |
| 5   | XX-HA0326      | HINGE BUSHING                        | 3   |
| 6   | X12517140005   | HINGE BOTTOM RIGHT                   | 1   |
| 7   | X12517140004   | HINGE UPPER RIGHT                    | 1   |
| 8   | XX-DR0203      | DOOR, LEFT                           | 1   |
| 9   | XX-DG0602      | GASKET                               | 1   |
| 10  | X12517140003   | HINGE BOTTOM LEFT                    | 1   |
| 11  | X12517140002   | HINGE UPPER LEFT                     | 1   |
| 12  | N/A            | TOP BOARD                            | 1   |
| 13  | XX-CBM301      | CUTTING BOARD                        | 1   |
| 14  | XX-CBB106      | CUTTING BOARD BRACKET                | 2   |
| 15  | XX-BCM170      | HOOD                                 | 1   |
| 16  | XX-LDM305      | LID                                  | 1   |
| 17  | XX-LHKIT       | HINGE PIN ASSEMBLY                   | 2   |
| 17  | XX-LHKIT       | DOWEL                                | 2   |
| 18  | XX-LHKIT       | PLASTIC BOLT                         | 2   |
| 19  | XX-LHKIT       | NUT                                  | 2   |
| 20  | XX-LHKIT       | SPLIT PIN                            | 2   |
| 21  | XX-EC0309      | EVAPORATOR COVER                     | 1   |
| 22  | XX-IDP311      | INNER DRAIN PAN                      | 1   |
| 23  | XX-EVP610      | EVAPORATOR                           | 1   |
| 24  | XX-EMM606      | FAN MOTOR INSTALLATION PANEL         | 1   |
| 25  | N/A            | LEFT SUPPORT BRACKET                 | 1   |
| 26  | N/A            | RIGHT SUPPORT BRACKET                | 1   |
| 27  | X1003001114715 | EVAPORATOR FAN MOTOR                 | 4   |
| 28  | XX-RSB001      | STAND OFF BRACKET                    | 2   |
| 29  | N/A            | THERMOSTAT INSTALLATION BOARD        | 1   |
| 30  | XR10056        | POWER SWITCH                         | 1   |
| 31  | X17709030003   | THERMOSTAT (XR02CX-4N0C1-XX)         | 1   |
| 32  | XX-PBM578      | PAN BRACKET-15                       | 2   |
| 33  | XX-PBM579      | PAN BRACKET-25                       | 7   |
| 34  | XX-PB0624      | PAN BRACKET-90                       | 1   |
| 35  | N/A            | CASTER SUPPORT                       | 1   |
| 36  | XX-SCB316      | 4" SWIVEL CASTER W/BRAKE             | 2   |
| 37  | XX-SC0317      | 4" SWIVEL CASTER W/O BRAKE           | 2   |
| 38  | N/A            | PANEL SUPPORT ASSEMBLY               | 1   |
| 39  | N/A            | SUPPORT PANEL GUIDE (L & R)          | 2   |
| 40  | N/A            | CONDENSER SUPPORT PANEL              | 1   |
| 41  | XX-CC5838      | CONDENSER COIL                       | 1   |
| 42  | XX-CFM001      | CONDENSER FAN MOTOR                  | 1   |
| 43  | XX-CFB001      | CONDENSER FAN BLADE                  | 1   |
| 44  | X22726010001   | CONDENSER FAN GUARD                  | 1   |
| 45  | N/A            | FILTER DRIER BRACKET                 | 1   |
| 46  | XX-H00341      | FILTER DRIER                         | 1   |
| 47  | X16316130008   | OUTER DRAIN PAN                      | 1   |
| 48  | XX-HC0007      | COMPRESSOR (NLE10CN/115V/60HZ/R290)  | 1   |
| 49  | XX-STARTKITHC  | COMPRESSOR START KIT (NLE10CN)       | 1   |
| 49  | INCL IN ABOVE  | COMPRESSOR SPLICE BOX                | 1   |
| 50  | INCL IN ABOVE  | COMPRESSOR START CAPACITOR           | 1   |
| 51  | INCL IN ABOVE  | COMPRESSOR OVERLOAD PROTECTOR        | 1   |
| 52  | INCL IN ABOVE  | COMPRESSOR STARTER                   | 1   |
| 52  | X240014        | CAP TUBE (0.055 X 94.5) R290         | 1   |
| 53  | X2199001480    | PILASTER - 2 HOLES                   | 6   |
| 54  | X2199001321    | PILASTER - 3 HOLES                   | 6   |
| 55  | X5302000003    | K CLIP                               | 12  |
| 56  | XX-SH0070      | SHELF                                | 3   |
| 57  | X2199001620    | BACK GRILL                           | 1   |
| 58  | N/A            | FOAMING HOLE COVER                   | 2   |
| 59  | XX-DT0135      | DRAIN HOSE                           | 1   |
| 60  | XX-2194684     | POWER CORD                           | 1   |
| 61  | XX-THT002      | TEMPERATURE SENSOR OF CABINET INSIDE | 1   |
| 62  | X17799990002   | THERMOMETER                          | 1   |



For Tech Support or Parts Call:  
1-704-900-2068

Website: <https://www.entree.biz>